

SITE PLAN
SCALE: 1" = 10'-0"



SITE INFORMATION

ZONING CLASS: T-R2, H-TL
 BUILDING TYPE: WOOD FRAME
 LOT SIZE: 33'x132'
 USAGE: SINGLE FAMILY
 OPEN SPACE: 1194#

PERMEABLE: 2,094#
 A.D.U.#: 714# USABLE INTERIOR

SHEET INDEX

TS TITLE SHEET: SITE PLAN
 A-1 FOUNDATION PLAN
 A-2 GARAGE, A.D.U. PLANS
 A-3 S/W, N/W ELEVATIONS
 A-4 S/E, N/E ELEVATIONS

R-1

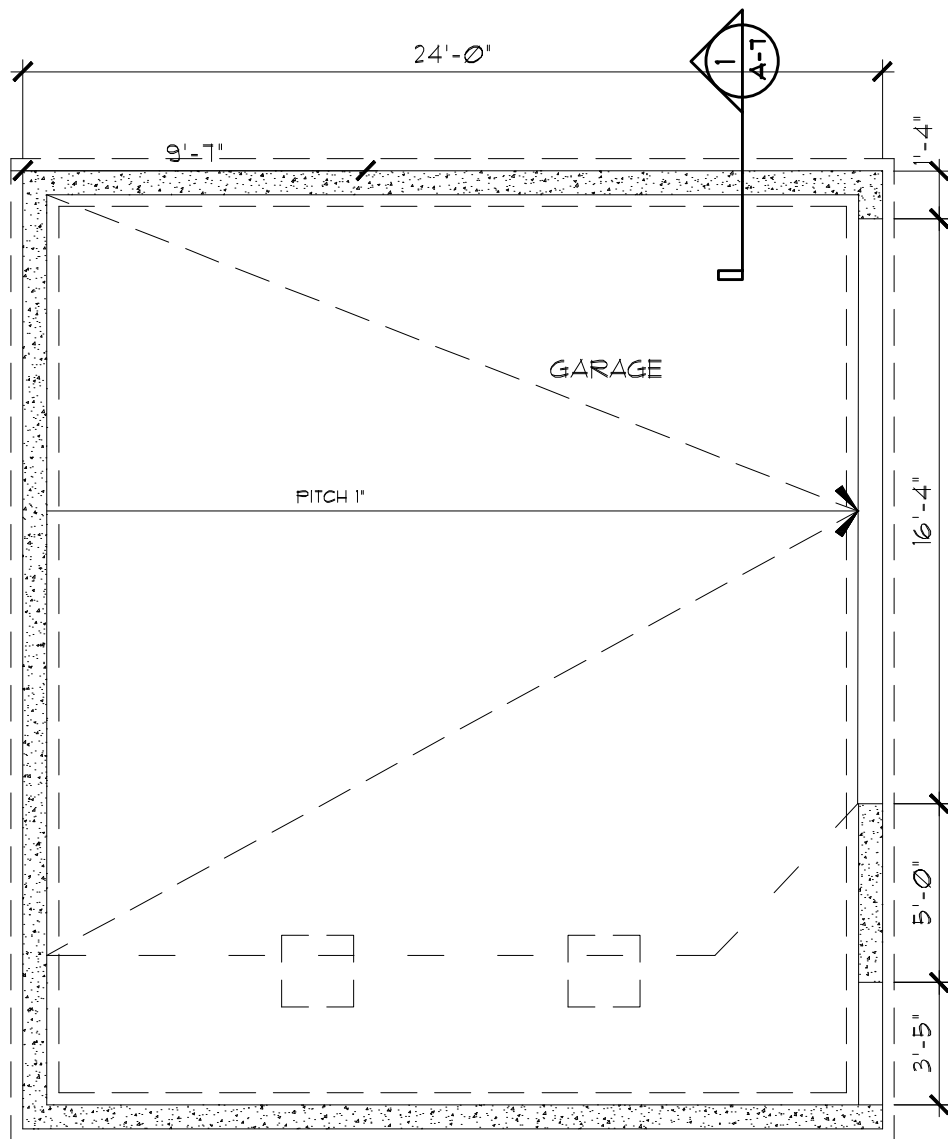
221 SOUTH MIDVALE BLVD.
 MADISON, WI 53705
 (608) 213-1665
Designed by
 Jim Vincent
 biglogocharacter.net

TITLE SHEET

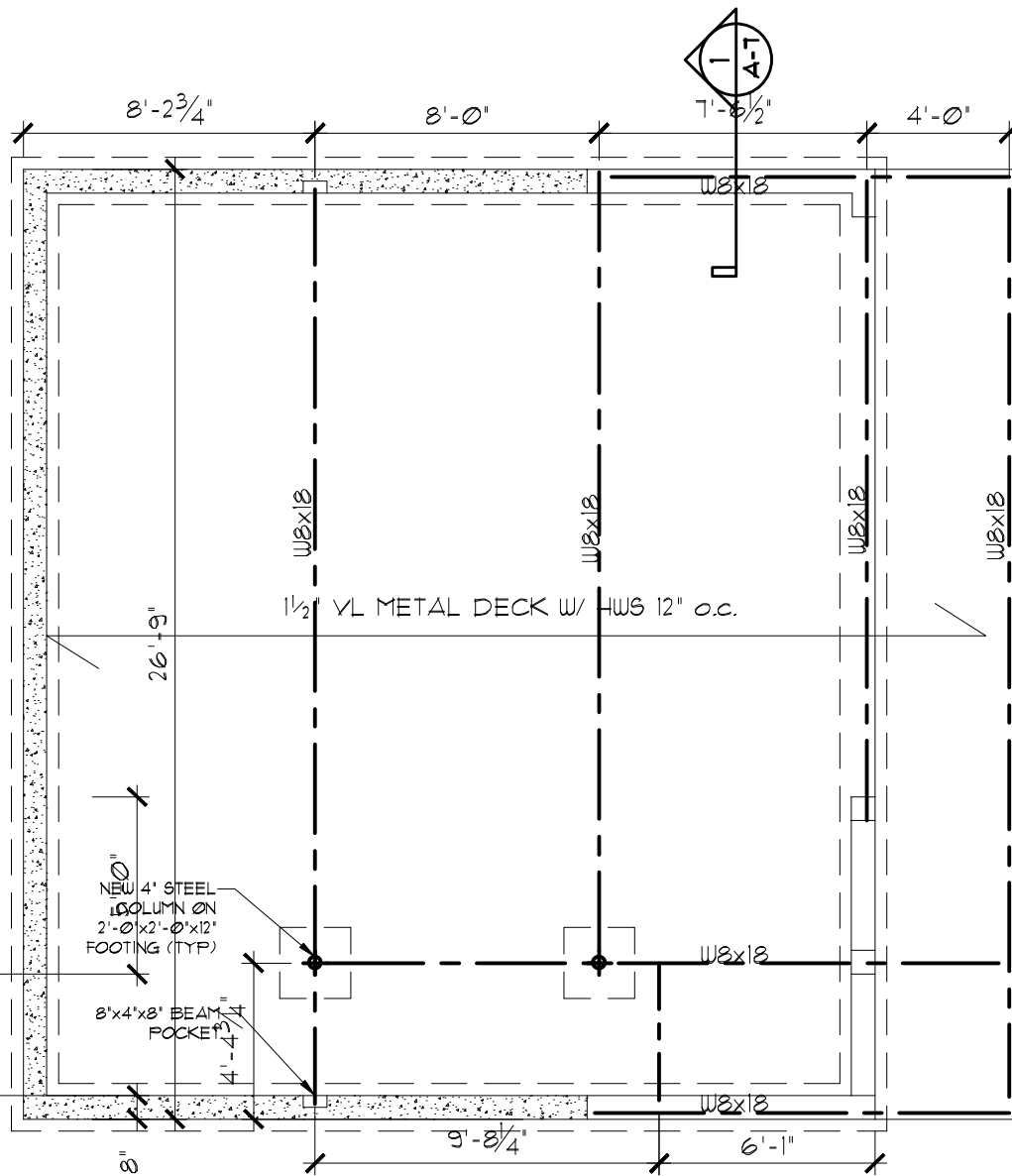
ERIK OLSEN
 1040 WILLIAMSON STREET
 MADISON • WISCONSIN

| | |
|----------------------|--------------------------|
| DRAFTED BY | JV |
| CHECKED BY | JV |
| DRAWING STATUS | PRELIMINARY |
| PROGRESS | <input type="checkbox"/> |
| REVIEW | <input type="checkbox"/> |
| FINAL | <input type="checkbox"/> |
| REVISION NO. - DATE: | |
| 1 | |
| DATE: | APR 24, 2021 |
| PROJ. NO: | 2021-1 |
| SHEET NUMBER | TS |

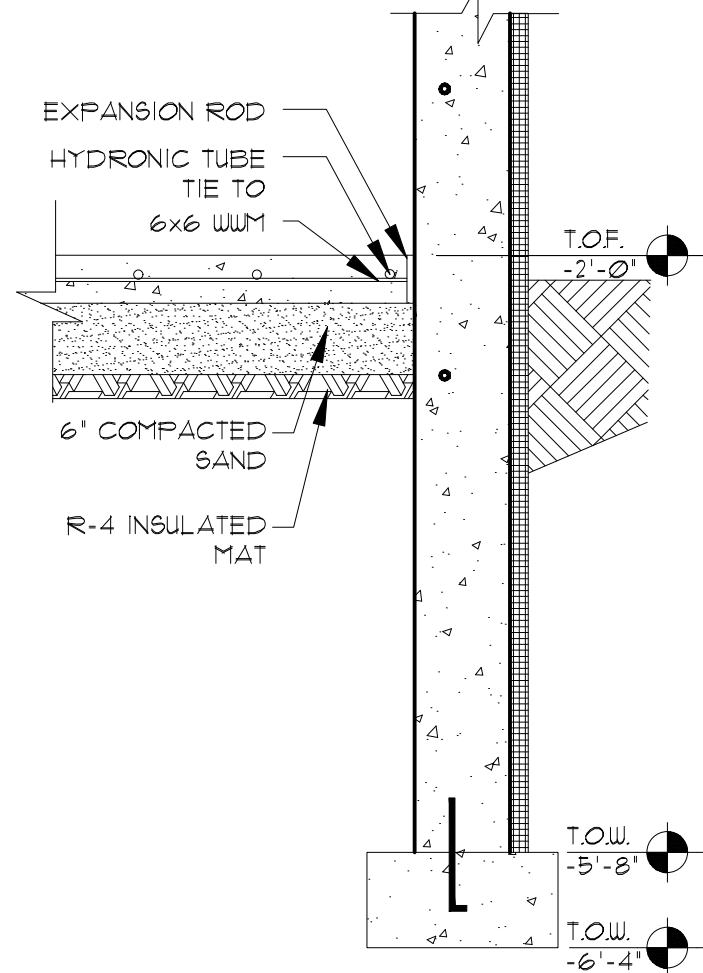
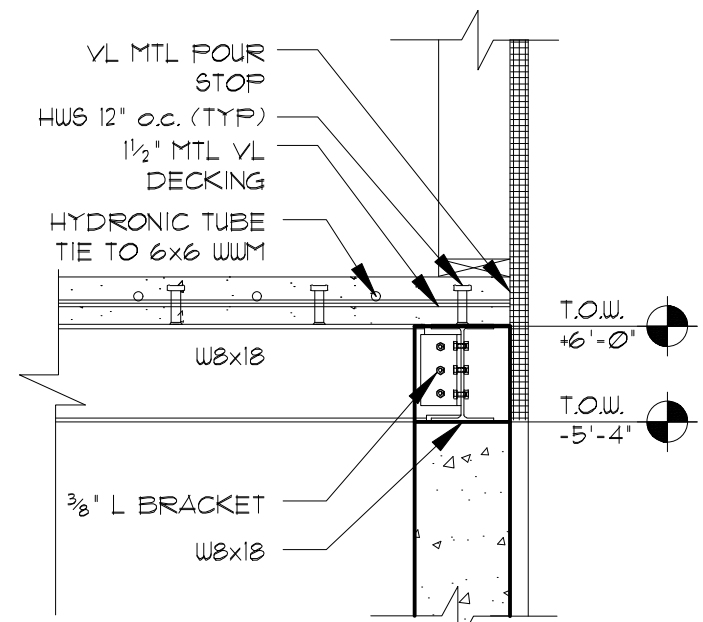
R-1



GARAGE PLAN
3/16" = 1'-0"



STEEL PLAN
3/16" = 1'-0"



SECTION 1

1/2" = 1'-0"

221 SOUTH MIDVALE BLVD.
MADISON, WI 53705
(608) 213-1665
biglogocharacter.net
Designed by Jim Vincent

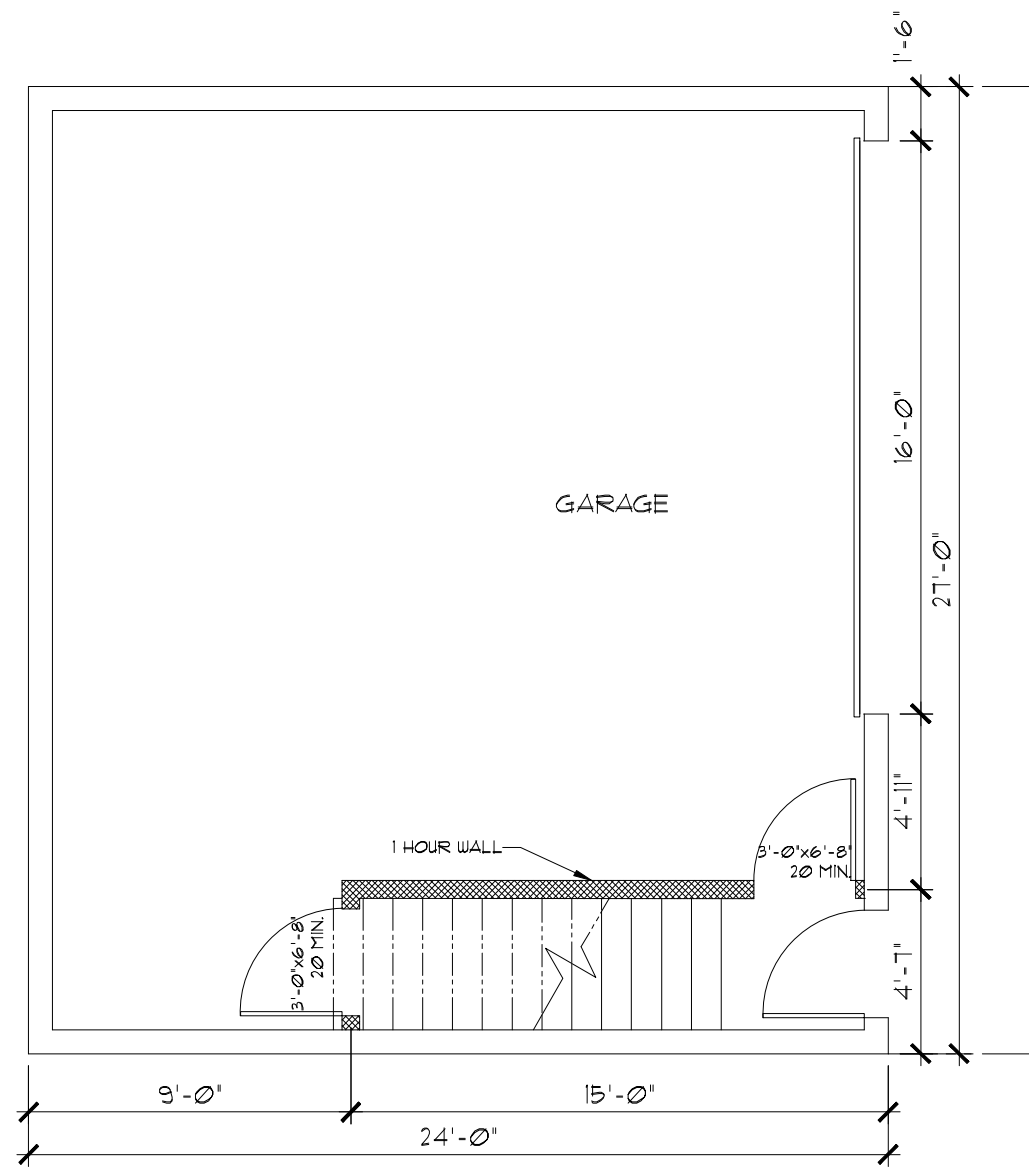
FOUNDATION PLANS
ERIK OLSEN
1040 WILLIAMSON STREET
MADISON • WISCONSIN

| | |
|----------------------|--------------------------|
| DRAFTED BY | JV |
| CHECKED BY | JV |
| DRAWING STATUS | PRELIMINARY |
| PROGRESS | <input type="checkbox"/> |
| REVIEW | <input type="checkbox"/> |
| FINAL | <input type="checkbox"/> |
| REVISION NO. - DATE: | |

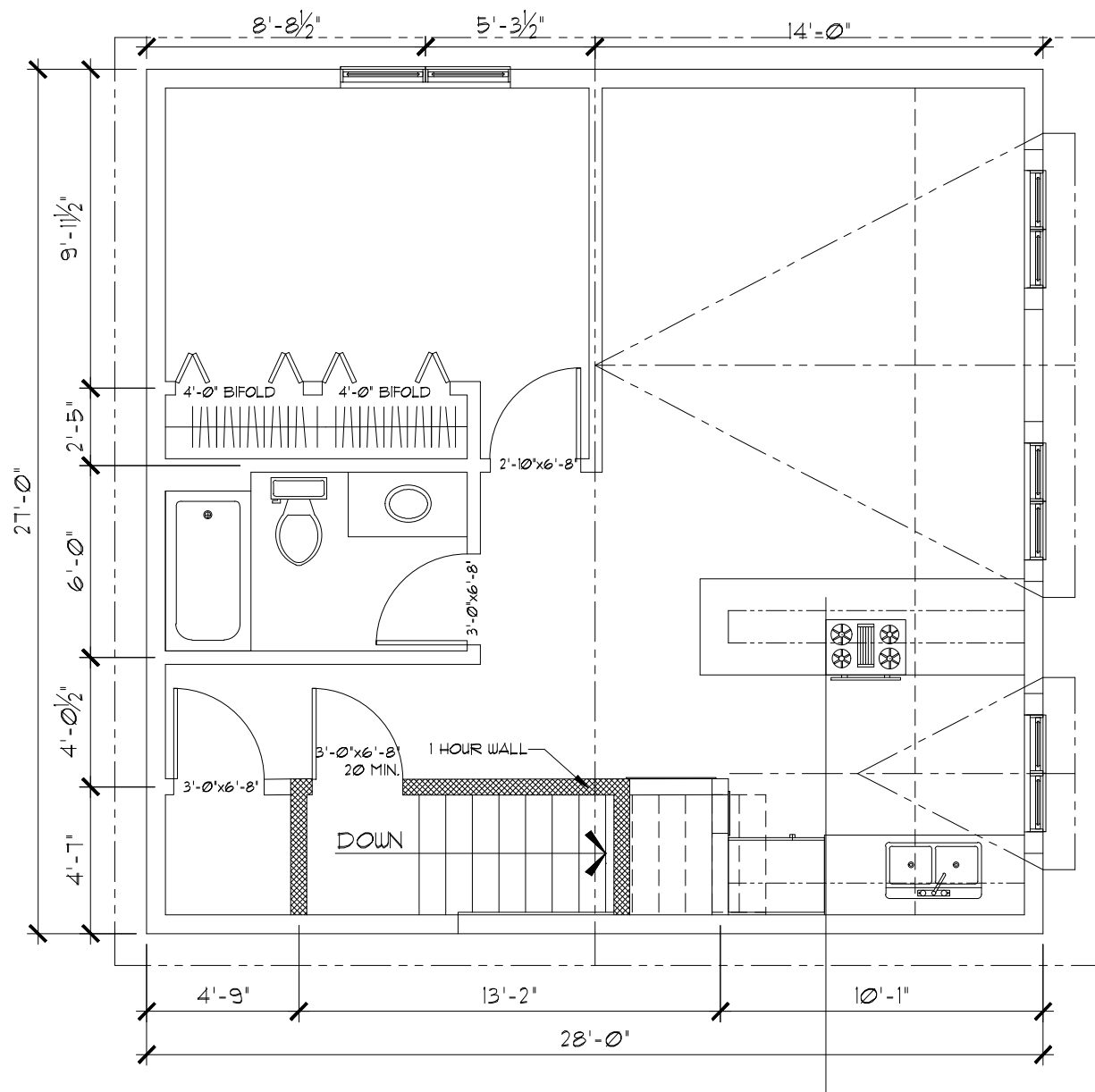
| | |
|--------|--------|
| T.O.W. | +6'-0" |
| T.O.W. | -5'-4" |
| T.O.F. | -2'-0" |
| T.O.W. | -5'-8" |
| T.O.W. | -6'-4" |

DATE: APR 24, 2021
PROJ. NO: 2021-1
SHEET NUMBER

A-1



GARAGE PLAN
 3/16" = 1'-0"



A.D.U. PLAN
 3/16" = 1'-0"

221 SOUTH MIDVALE BLVD.
 MADISON, WI 53705
 (608) 213-1665
 biglogocharter.net
 Designed by
John Vincent

GARAGE A.D.U. PLANS
ERIK OLSEN
1040 WILLIAMSON STREET
MADISON • WISCONSIN

| | |
|----------------------|----|
| DRAFTED BY | JV |
| CHECKED BY | JV |
| DRAWING STATUS | |
| PRELIMINARY | |
| PROGRESS | |
| REVIEW | |
| FINAL | |
| REVISION NO. - DATE: | |
| 1 | |

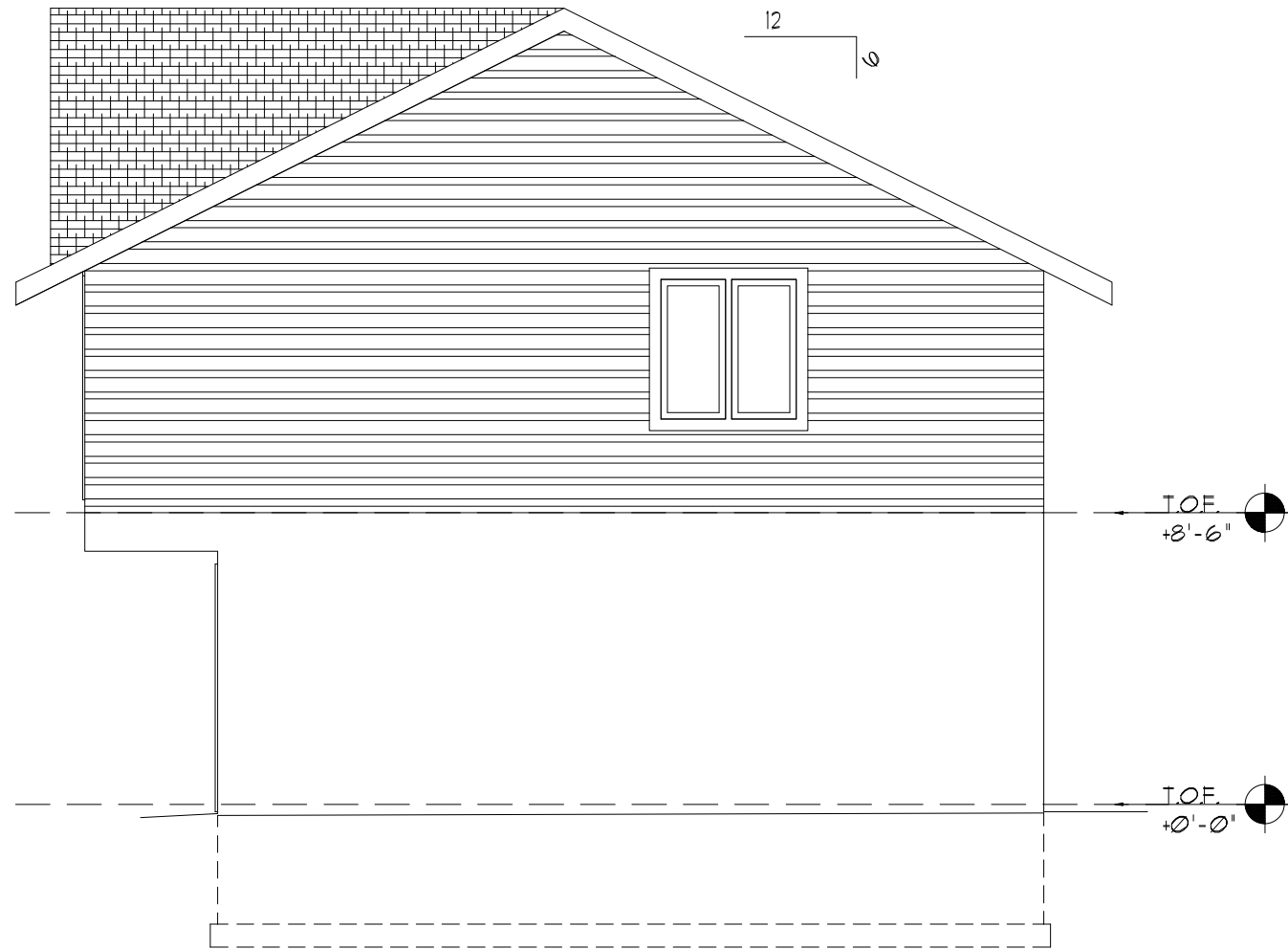
DATE: APR 24, 2021
 PROJ. NO: 2021-1
 SHEET NUMBER

A-2



SOUTH-EAST ELEVATION

3/16" = 1'-0"



NORTH-EAST ELEVATION

3/16" = 1'-0"

221 SOUTH MIDVALE BLVD.
MADISON, WI 53705
(608) 213-1665
biglogoarchitect.net

Designed by
John Vincent

S/W, N/E ELEVATIONS

ERIK OLSEN
1040 WILLIAMSON STREET
MADISON • WISCONSIN

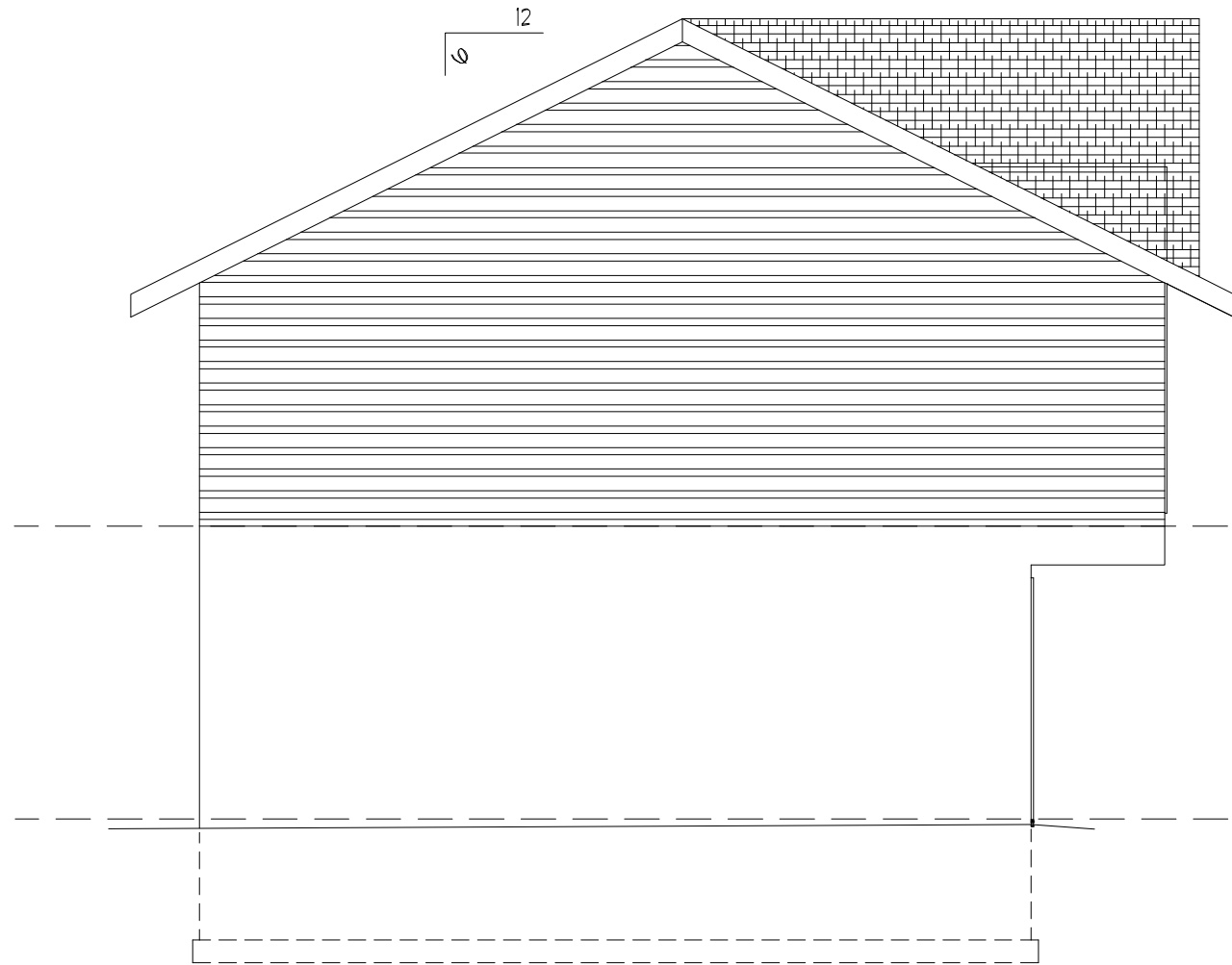
| | |
|----------------------|-------------|
| DRAFTED BY | JV |
| CHECKED BY | JV |
| DRAWING STATUS | PRELIMINARY |
| | PROGRESS |
| | REVIEW |
| | FINAL |
| REVISION NO. - DATE: | |
| 1 | |

DATE: APR 24, 2021

PROJ. NO: 2021-1

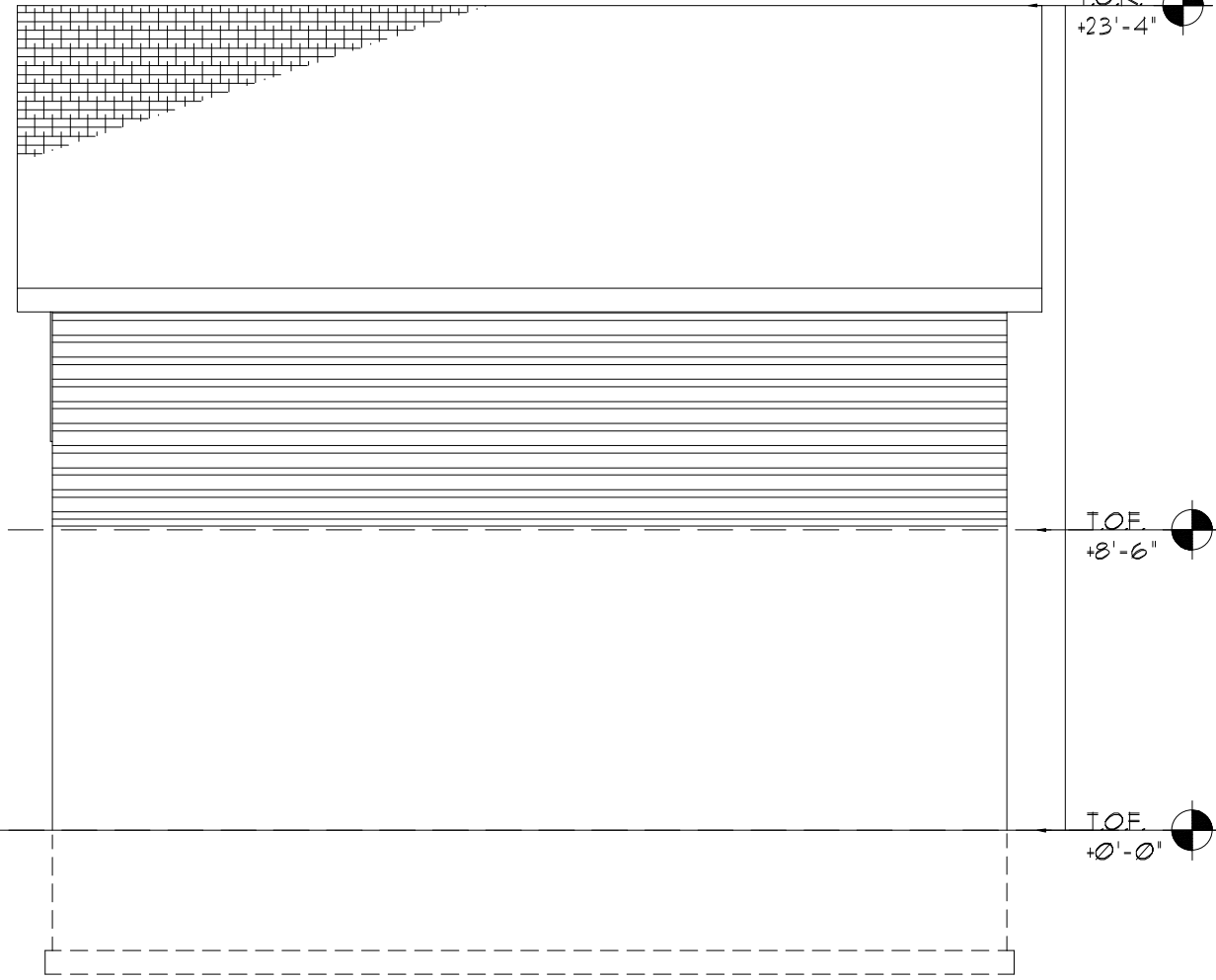
SHEET NUMBER

A-3



SOUTH-WEST ELEVATION

3/16" = 1'-0"



NORTH-WEST ELEVATION

3/16" = 1'-0"

TOR
+23'-4"

TOE
+8'-6"

TOE
+0'-0"

S/E, N/E ELEVATIONS

**ERIK OLSEN
1040 WILLIAMSON STREET
MADISON • WISCONSIN**

| | |
|----------------------|-------------------------------------|
| DRAFTED BY | JV |
| CHECKED BY | JV |
| DRAWING STATUS | PRELIMINARY |
| PROGRESS | <input type="checkbox"/> |
| REVIEW | <input checked="" type="checkbox"/> |
| FINAL | <input type="checkbox"/> |
| REVISION NO. - DATE: | |

DATE: APR 24, 2021

PROJ. NO: 2021-1

SHEET NUMBER

A-4

221 SOUTH MIDVALE BLVD.
MADISON, WI 53705
(608) 213-1665
biglogoarchitect.net
*Designed by
John Vincent*