

BarleyPop Live

121 W. Main

1. SUMMARY

1.1 Product

This is an existing business that was open from April 2019 until COVID-19 forced our closure in March 2020. We are looking to re-open and need a new license due to the fact we did not want to pay the fees for an entire year of the old license that we could not use for over a year, that license was left to lapse.

This concept is built upon our successful existing business (BarleyPop Tap and Shop - 2045 Atwood Ave, Suite #107) and is a hybrid business best described as a combination tap room and live music venue, specializing in craft beer sales for both on-premise and off-premise consumption as well as hosting local, regional, and national music acts and featuring a small pinball arcade as well.

On-premise products will be beer pints and flights served from a draught system. We have a couple of wines on tap and a limited amount of spirits for simple mixed drinks.

Off-premise sales consist of traditional packaged bottles and cans sold via a reach-in cooler, but also is based around selling draft beer in growlers and crowlers. The location is a 2000 sq ft space at 121 W. Main St, roughly a block off of the capitol square in Madison, WI.

Capacity will be 125 patrons with 8 stools at the bar area and the remaining seats at a mixture of community-style bench table seating and some smaller tables both in the front bar area, and the back venue area when there are not music shows.

2.1 Principal Members

Jason Hajdik - owner, business manager

Brandon Dorman - owner, operations manager

2.2 Legal Structure

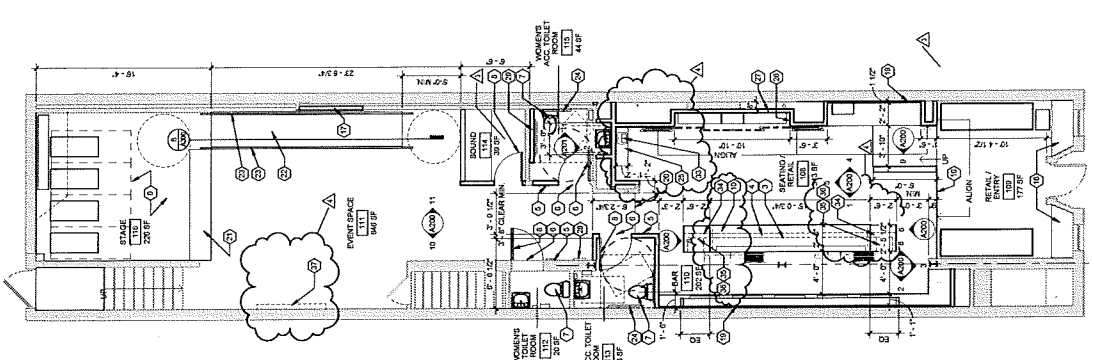
This company (Friendships Are The Best Ships Inc) is a Wisconsin Corporation.

FLOOR PLAN GENERAL NOTES:

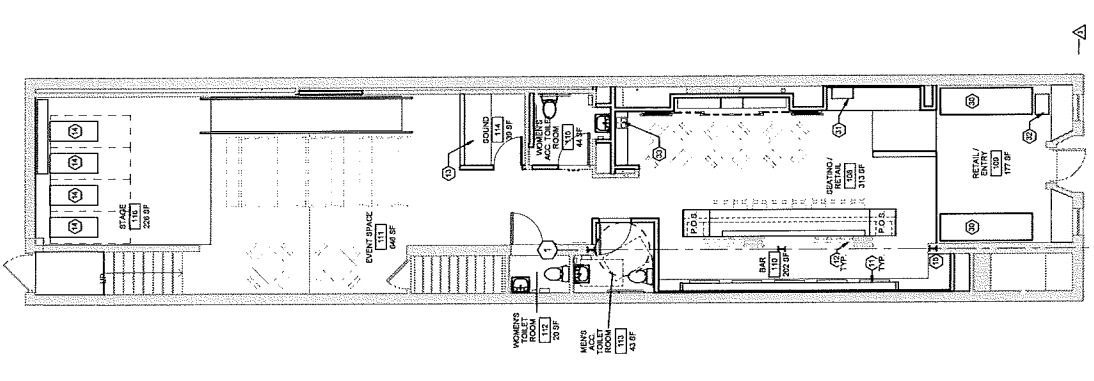
1. FIELD DIMENSIONS SHOWN ARE MEASURED FROM THE ATTENTION OF THE ARCHITECT FOR EACH DIMENSION. DIMENSIONS ON FLOOR PLAN ARE BASED ON FACE OF FINISH WALL TO FINISHED WALL (NORMAL).
2. REFER TO MECHANICAL, ELECTRICAL, AND PLUMBING DRAWINGS FOR ADDITIONAL ITEMS AND NOTES.
3. CONTRACTOR IS RESPONSIBLE FOR MAINTAINING CONTIGUOUS THIS WORK AND DISTRIBUTION IN SERVICE REQUIRED TO PERFORM WITH THE OWNER'S USE.
4. MECHANICAL AND ELECTRICAL EQUIPMENT SHALL BE COORDINATED IN ADVANCE WITH THE OWNER'S USE.
5. MAKE SURE COLLAR AND JOIST CONNECTIONS BY OTHERS ARE TO BE MAINTAINED AND COOLER LIGHTING COMPENSATOR TO BE INSTALLED IN LOWER LEVEL.
6. COOLING SYSTEMS, TRAP SYSTEM BY OTHERS.
7. AT 1/2" TO PROVIDE DRAIN CONNECTION BELOW DRAIN BOARD BEGAIN.
8. AT 1/2" DIE WALL WOOD FRAMING, PROVIDE GFCI POWER EVERY 4' 0" AND 1/2" DIE WALL, PLUMBING WALL FOR SCOMP SINK, DRAIN BOARDS AND CEILING.

KEYED NOTES

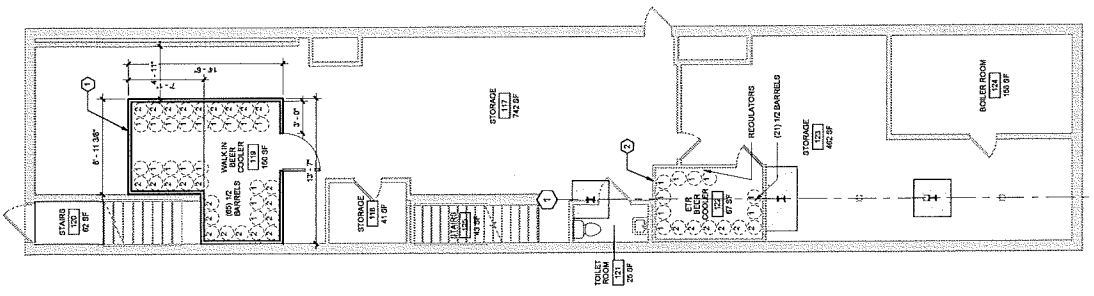
No.	Description	Date
1	REMOVE EXISTING WOOD FLOOR IN RETAIL CORNER	10/25/18
2	REMOVE EXISTING BEER COOLER, NEW TRIP ON ALL WALLS, REFINISH FLOOR	10/25/18
3	PROVIDE SINKER TRAP AND SINK TO BAR	10/25/18
4	REMOVE EXISTING BEER COOLER, NEW TRIP ON ALL WALLS, REFINISH FLOOR	10/25/18
5	REMOVE EXISTING BEER COOLER, NEW TRIP ON ALL WALLS, REFINISH FLOOR	10/25/18
6	REMOVE EXISTING BEER COOLER, NEW TRIP ON ALL WALLS, REFINISH FLOOR	10/25/18
7	REMOVE EXISTING BEER COOLER, NEW TRIP ON ALL WALLS, REFINISH FLOOR	10/25/18
8	REMOVE EXISTING BEER COOLER, NEW TRIP ON ALL WALLS, REFINISH FLOOR	10/25/18
9	REMOVE EXISTING BEER COOLER, NEW TRIP ON ALL WALLS, REFINISH FLOOR	10/25/18
10	REMOVE EXISTING BEER COOLER, NEW TRIP ON ALL WALLS, REFINISH FLOOR	10/25/18
11	REMOVE EXISTING BEER COOLER, NEW TRIP ON ALL WALLS, REFINISH FLOOR	10/25/18
12	REMOVE EXISTING BEER COOLER, NEW TRIP ON ALL WALLS, REFINISH FLOOR	10/25/18
13	REMOVE EXISTING BEER COOLER, NEW TRIP ON ALL WALLS, REFINISH FLOOR	10/25/18
14	REMOVE EXISTING BEER COOLER, NEW TRIP ON ALL WALLS, REFINISH FLOOR	10/25/18
15	REMOVE EXISTING BEER COOLER, NEW TRIP ON ALL WALLS, REFINISH FLOOR	10/25/18
16	REMOVE EXISTING BEER COOLER, NEW TRIP ON ALL WALLS, REFINISH FLOOR	10/25/18
17	REMOVE EXISTING BEER COOLER, NEW TRIP ON ALL WALLS, REFINISH FLOOR	10/25/18
18	REMOVE EXISTING BEER COOLER, NEW TRIP ON ALL WALLS, REFINISH FLOOR	10/25/18
19	REMOVE EXISTING BEER COOLER, NEW TRIP ON ALL WALLS, REFINISH FLOOR	10/25/18
20	REMOVE EXISTING BEER COOLER, NEW TRIP ON ALL WALLS, REFINISH FLOOR	10/25/18
21	REMOVE EXISTING BEER COOLER, NEW TRIP ON ALL WALLS, REFINISH FLOOR	10/25/18
22	REMOVE EXISTING BEER COOLER, NEW TRIP ON ALL WALLS, REFINISH FLOOR	10/25/18
23	REMOVE EXISTING BEER COOLER, NEW TRIP ON ALL WALLS, REFINISH FLOOR	10/25/18
24	REMOVE EXISTING BEER COOLER, NEW TRIP ON ALL WALLS, REFINISH FLOOR	10/25/18
25	REMOVE EXISTING BEER COOLER, NEW TRIP ON ALL WALLS, REFINISH FLOOR	10/25/18
26	REMOVE EXISTING BEER COOLER, NEW TRIP ON ALL WALLS, REFINISH FLOOR	10/25/18
27	REMOVE EXISTING BEER COOLER, NEW TRIP ON ALL WALLS, REFINISH FLOOR	10/25/18
28	REMOVE EXISTING BEER COOLER, NEW TRIP ON ALL WALLS, REFINISH FLOOR	10/25/18
29	REMOVE EXISTING BEER COOLER, NEW TRIP ON ALL WALLS, REFINISH FLOOR	10/25/18
30	REMOVE EXISTING BEER COOLER, NEW TRIP ON ALL WALLS, REFINISH FLOOR	10/25/18
31	REMOVE EXISTING BEER COOLER, NEW TRIP ON ALL WALLS, REFINISH FLOOR	10/25/18
32	REMOVE EXISTING BEER COOLER, NEW TRIP ON ALL WALLS, REFINISH FLOOR	10/25/18
33	REMOVE EXISTING BEER COOLER, NEW TRIP ON ALL WALLS, REFINISH FLOOR	10/25/18
34	REMOVE EXISTING BEER COOLER, NEW TRIP ON ALL WALLS, REFINISH FLOOR	10/25/18
35	REMOVE EXISTING BEER COOLER, NEW TRIP ON ALL WALLS, REFINISH FLOOR	10/25/18
36	REMOVE EXISTING BEER COOLER, NEW TRIP ON ALL WALLS, REFINISH FLOOR	10/25/18
37	REMOVE EXISTING BEER COOLER, NEW TRIP ON ALL WALLS, REFINISH FLOOR	10/25/18



1 31'0" x 11'0"
FIRST FLOOR PLAN



2 31'0" x 11'0"
FIRST FLOOR FURNITURE & EQUIPMENT PLAN



3 31'0" x 11'0"
LOWER LEVEL FLOOR PLAN

BARLEYPOP
BARLEYPOP LIVE

121 W MAIN ST.
 MADISON, WI 53703

FLOOR PLANS

FOR CONSTRUCTION
 Project Number: B15-18-01
 Date: 9/12/2018

A101