



Change of Premises

Fee: \$25.00

City of Madison Clerk
210 MLK Jr Blvd, Room 103
Madison, WI 53703
licensing@cityofmadison.com
608-266-4601

Class A: Beer, Liquor, Cider
Class B: Beer, Liquor,
 Class C Wine

(Agenda Item Number)
(Legistar file number) LICPCW-2020-00220
(License number) 6 408
(Alder District #) (Police Sector)
Office Use Only

Licensed Premises Information

This application modifies existing alcohol license number: _____
Business dba Name: CAFE CODA
Licensed Address: 1224 WILLIAMSON ST
Liquor/Beer Agent Name: HANAH JON TAYLOR
60% Alcohol, _____% Food, 40% Other Alder, District #: _____ Police Sector: _____

Corporate Information

Business Legal Name (as on WI State Sellers Permit): MUSONICS LLC
Business Mailing Address: 1224 WILLIAMSON ST
Business Contact Name, Position: HANAH JON TAYLOR, OWNER
Business Phone: 608 630-6089 Business Email: CAFECODAMADISON@GMAIL.COM
Current Capacity (indoor): 99 Current Capacity (outdoor): 0

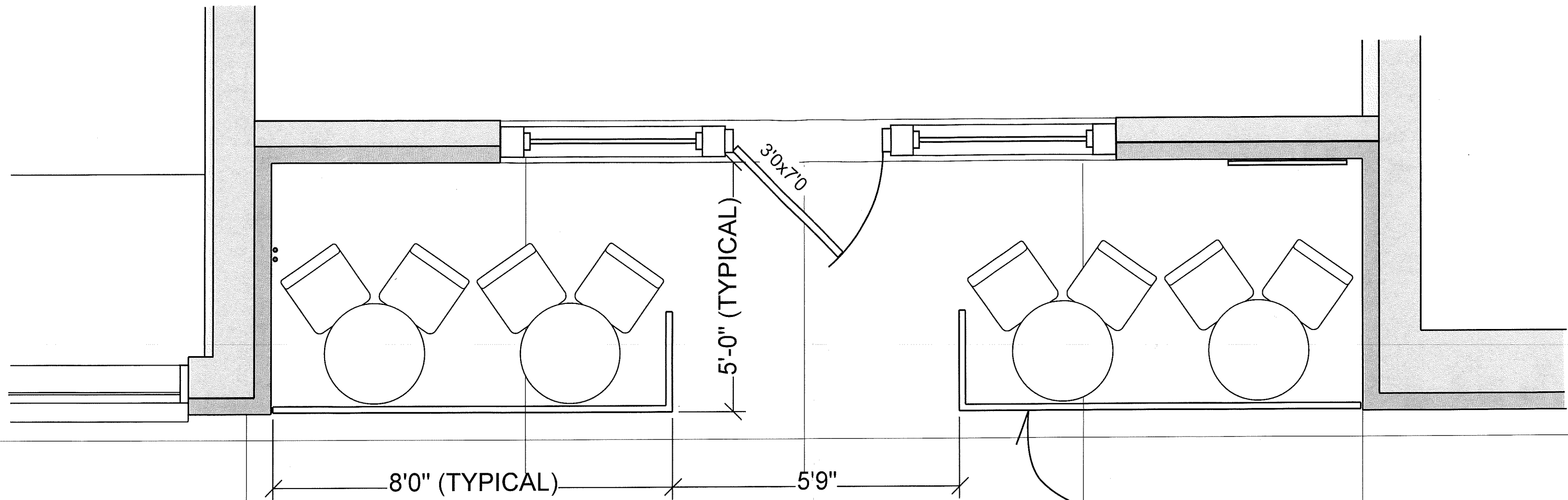
Proposed Capacity (indoor): _____ Proposed Capacity (outdoor): 8
If your capacity is increasing, contact Building Inspection: (608) 266-4551, binspection@cityofmadison.com

Description of Proposed Changes: CAFE CODA WISHES TO PROVIDE OUTSIDE SEATING FOR UP TO 8 OF ITS PATRONS, DURING 7 HOURS OF AN OPERATING DAY FROM JUNE 1 THROUGH OCTOBER 31.

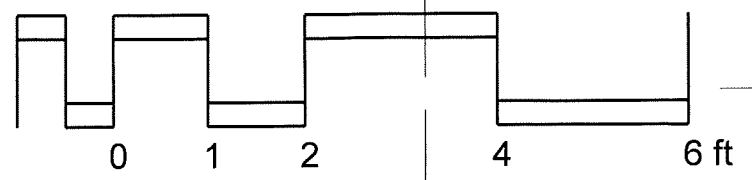
Detailed Floor Plans included (required)

Authorized Signature Date

<input type="checkbox"/> Orange sign and business card issued
<input type="checkbox"/> "License Renewals & Changes" brochure with next steps issued
Office Use Only



36" H METAL TUBE
ENCLOSURE PANEL



Scale: 1/2" = 1'-0" | 03/17/20

PROPOSED OUTDOOR SEATING

Cafe CODA - 1224 WILLIAMSON STREET
Hanah John Taylor, Owner | 608/251-2787

GREEN DESIGN STUDIO
EDWARD KUHARSKI, AIA, ARCHITECT
405 Sidney Street | Madison, WI 53703
608/469-5963 | ekuharski@aol.com