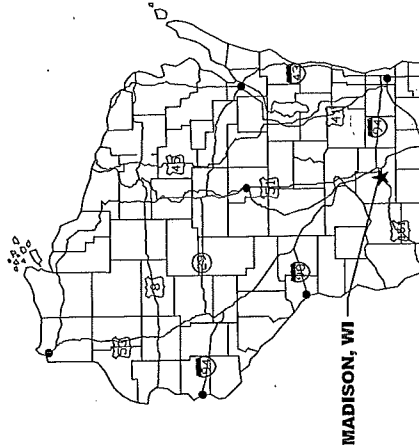


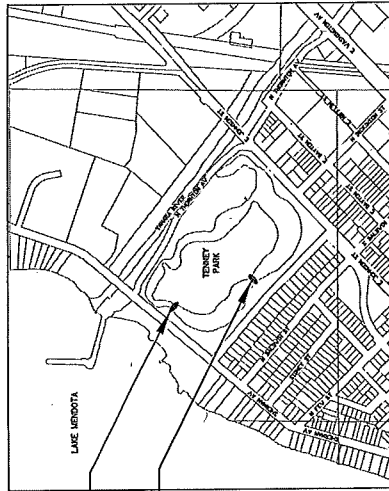
MARSTON AVENUE AND SHERMAN AVENUE PEDESTRIAN BRIDGE RESTORATION WORK AT TENNEY PARK

FOR THE CITY OF MADISON PARKS DIVISION MADISON, WISCONSIN FEBRUARY, 2014

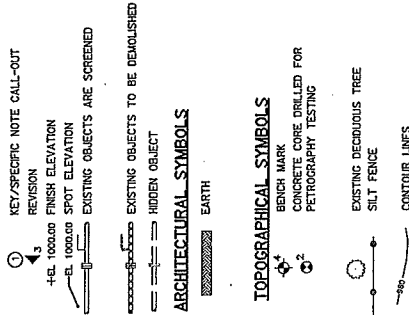
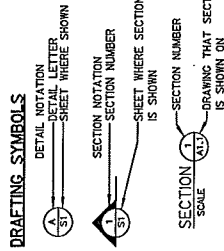


MADISON, WI

PROJECT LOCATION
NO SCALE



SHERMAN AVENUE
PEDESTRIAN BRIDGE
MARSTON AVENUE
PEDESTRIAN BRIDGE



LIST OF DRAWINGS

SHEET NO.	DRAWING NO.	DRAWING TITLE
1	GENERAL GI	TITLE SHEET.
2	CIVIL CI	SITE PLAN.
3	STRUCTURAL S1	MARSTON AVENUE PEDESTRIAN BRIDGE DEMOLITION WORK.
4	S2	MARSTON AVENUE PEDESTRIAN BRIDGE RESTORATION WORK.
5	S3	MARSTON AVENUE PEDESTRIAN BRIDGE RESTORATION WORK DETAILS.
6	S4	SHERMAN AVENUE PEDESTRIAN BRIDGE DEMOLITION AND RESTORATION WORK.

910 West Wingra Drive
Madison, WI 53715
608-251-4843
608-251-8655 fax
www.strand.com

CONTRACT NO. 7129



SHEET
1
GI

- GENERAL NOTES**
SEE GENERAL NOTES ON SHEET S2.
- KEY NOTES**
- ① CONSTRUCTION ENTRANCE.
 - ② CONSTRUCTION STAGING AND EQUIPMENT STORAGE AREA.
 - ③ APPROXIMATE CONSTRUCTION LIMITS.



NO.	REVISIONS	DATE
1	DNR CHAPTER 30 APPLICATION	10/20/13
2	SHPD REVIEW	11/25/13

SITE PLAN

MARSTON AVE. & SHERMAN AVE., PEDESTRIAN BRIDGE
RESTORATION WORK AT TENNEY PARK
CITY OF MADISON PARKS DIVISION
MADISON, WISCONSIN

JOB NO.
1020.078

PROJECT MGR.
KRB

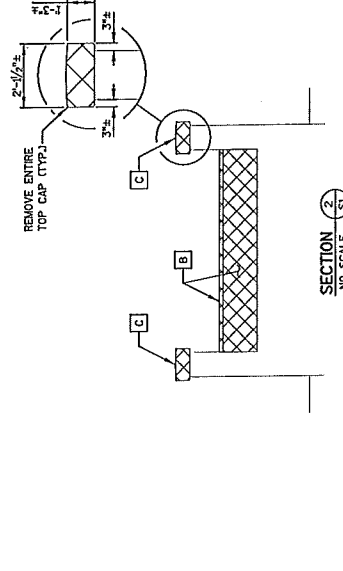
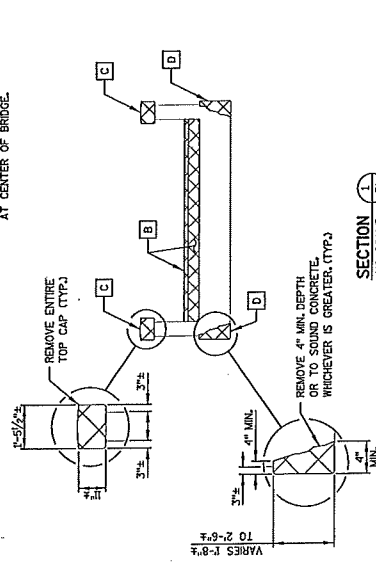
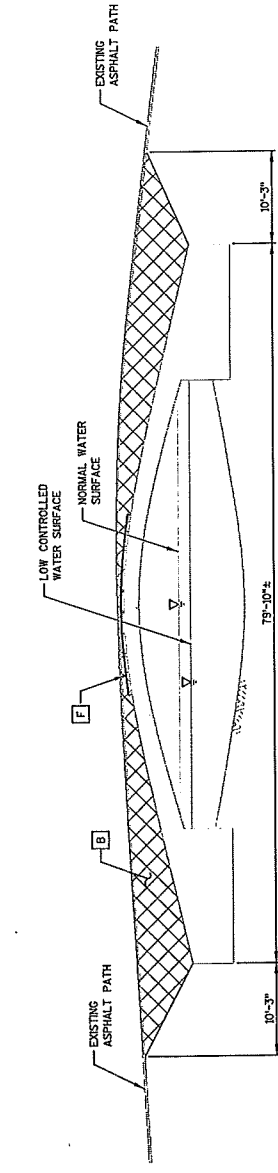
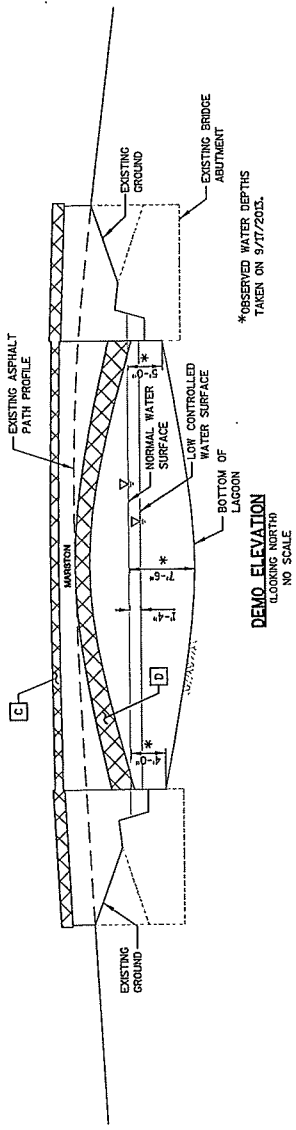
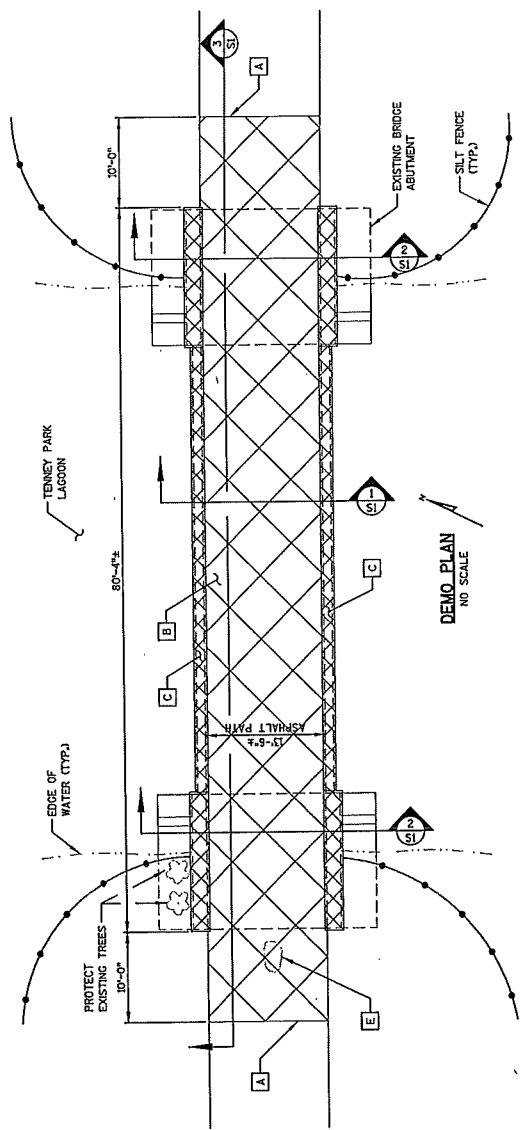


SHEET
2
12

GENERAL NOTES
SEE GENERAL NOTES ON SHEET S2.

DEMOLITION NOTES

- A SAWCUT EXISTING ASPHALT PAVEMENT.
- B REMOVE EXISTING ASPHALT PAVEMENT AND FALL DOWN TO TOP SURFACE OF CONCRETE ARCH.
- C REMOVE UPPER PORTION OF EXISTING CONCRETE PARAPET. SEE SECTIONS FOR EXTENTS.
- D REMOVE OUTER PORTION OF EXISTING CONCRETE ARCH. SEE SECTIONS FOR EXTENTS. TYPICAL BOTH SIDES OF BRIDGE.
- E REMOVE EXISTING ROCK SALVAGE FOR REUSE AT SAME LOCATION.
- F REMOVE EXISTING CONCRETE OVERLAY AND EMBEDDED ANCHORS DOWN TO CONCRETE ARCH. CONCRETE OVERLAY IS APPROXIMATELY 2'-0" LONG AT CENTER OF BRIDGE.



NO.	REVISIONS	DATE
1	DNR CHAPTER 30 APPLICATION	10/20/15
2	SHPO REVIEW	11/25/15

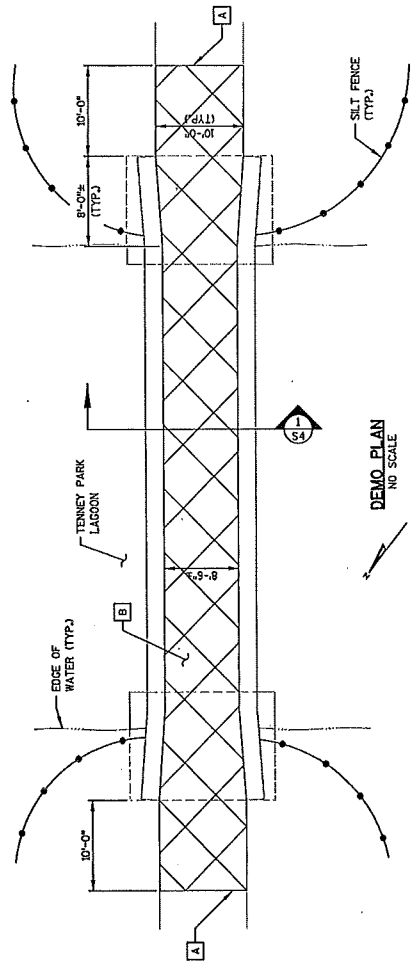
**MARSTON AVENUE
PEDESTRIAN BRIDGE DEMOLITION WORK**
MARSTON AVE. & SHERMAN AVE., PEDESTRIAN BRIDGE
RESTORATION WORK AT TENNEY PARK
CITY OF MADISON, WISCONSIN

S&A STRAND ASSOCIATES
SHEET 3 OF 5
JOB NO. 1020.078
PROJECT MGR. KRB

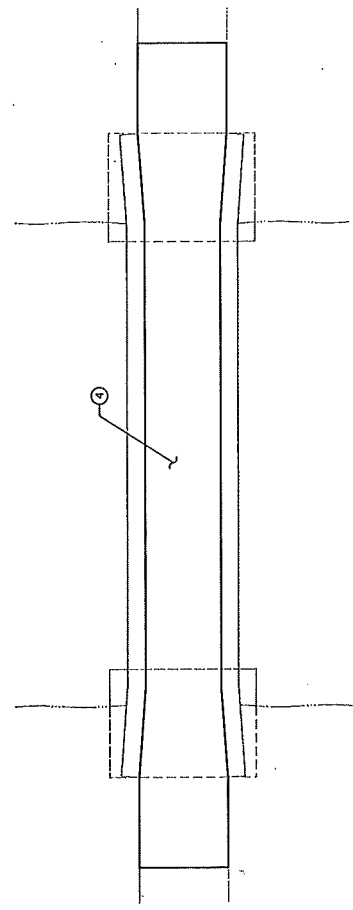
GENERAL NOTES
SEE GENERAL NOTES ON SHEET S2.

DEMOLITION NOTES
SAWCUT EXISTING ASPHALT PAVEMENT.
REMOVE EXISTING ASPHALT PAVEMENT.

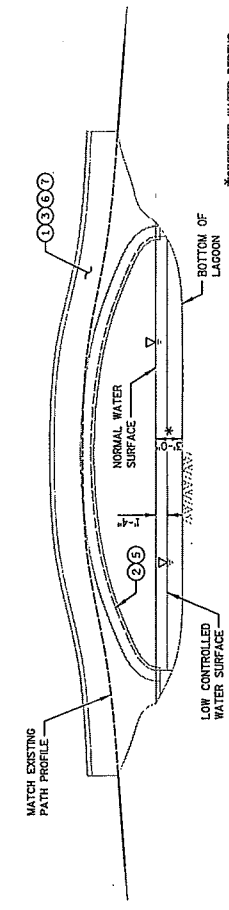
- KEY NOTES**
- 1 CLEAN ALL ABOVE-GRADE SURFACES OF STONE VENEER. PRIOR TO ANY REPORTING ON STONE RESTORATION WORK.
 - 2 SOUND ENTIRE UNDERSIDE OF CONCRETE ARCH IN PRESENCE OF ENGINEER AND PERFORM CONCRETE SURFACE REPAIRS WHERE REQUIRED AS DETERMINED BY ENGINEER.
 - 3 REPOINT EXISTING DETERIORATED MORTAR JOINTS.
 - 4 NEW 3" ASPHALT PAVING OVER EXISTING BASE COURSE.
 - 5 APPLY CEMENT-BASED WATERPROOFING COATING TO ENTIRE UNDERSIDE OF CONCRETE ARCH ABOVE THE NORMAL HIGHWATER ELEVATION.
 - 6 REPAIR CRACKED STONES USING EPOXY CRACK INJECTION. SEE STONE RESTORATION SPECIAL PROVISION.
 - 7 APPLY MASONRY SEALER TO ALL EXPOSED ABOVE-GRADE SURFACES OF MASONRY IN ACCORDANCE WITH THE SPECIAL PROVISIONS.



DEMO PLAN
NO SCALE



RESTORATION PLAN
NO SCALE



EXISTING BRIDGE ELEVATION SHOWING DEMO WORK
LOOKING EAST
NO SCALE

*OBSERVED WATER DEPTHS
TAKEN ON 9/17/2013.

NO.	REVISIONS	DATE
1	DNR CHAPTER 30 APPLICATION	10/20/13
2	SPO REVIEW	11/25/13

**SHERMAN AVENUE
PEDESTRIAN BRIDGE DEMOLITION WORK**
MARSTON AVE. & SHERMAN AVE., PEDESTRIAN BRIDGE
RESTORATION WORK AT TENNEY PARK
CITY OF MADISON PARKS DIVISION
MADISON, WISCONSIN

JOB NO.
SUBMITTER
PROJECT NO.
DATE



SHEET
6
S4

11/26/2013 4:22:10 PM

www.cimtech.com

S:\MAD\1000-1082\1022\1078\MicroStation\Plan\04-SHERMAN AVE. PED. BRIDGE.dwg