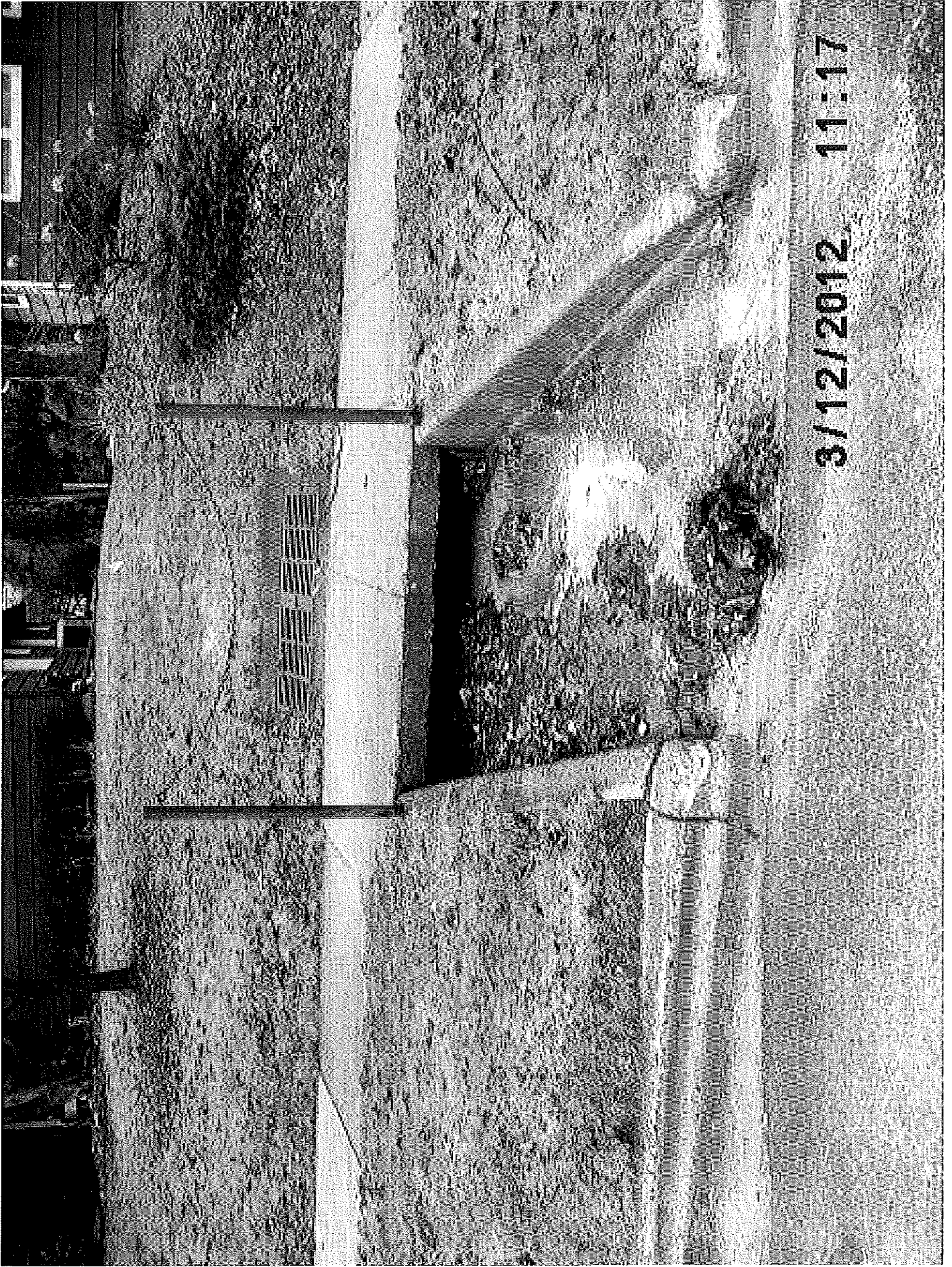


**MOHICAN PASS STORM
ASSESSMENT DISTRICT – 2012**

TOTAL ESTIMATED PROJECT COST = \$60,243.00

TOTAL CITY ESTIMATED PROJECT COST = \$59,033.00

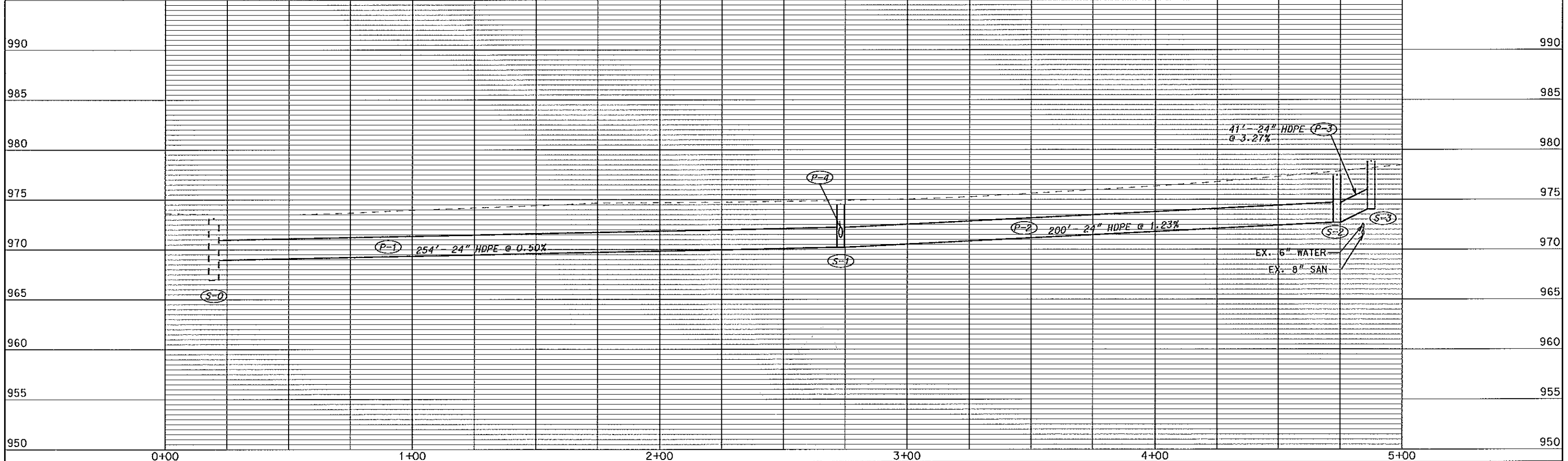
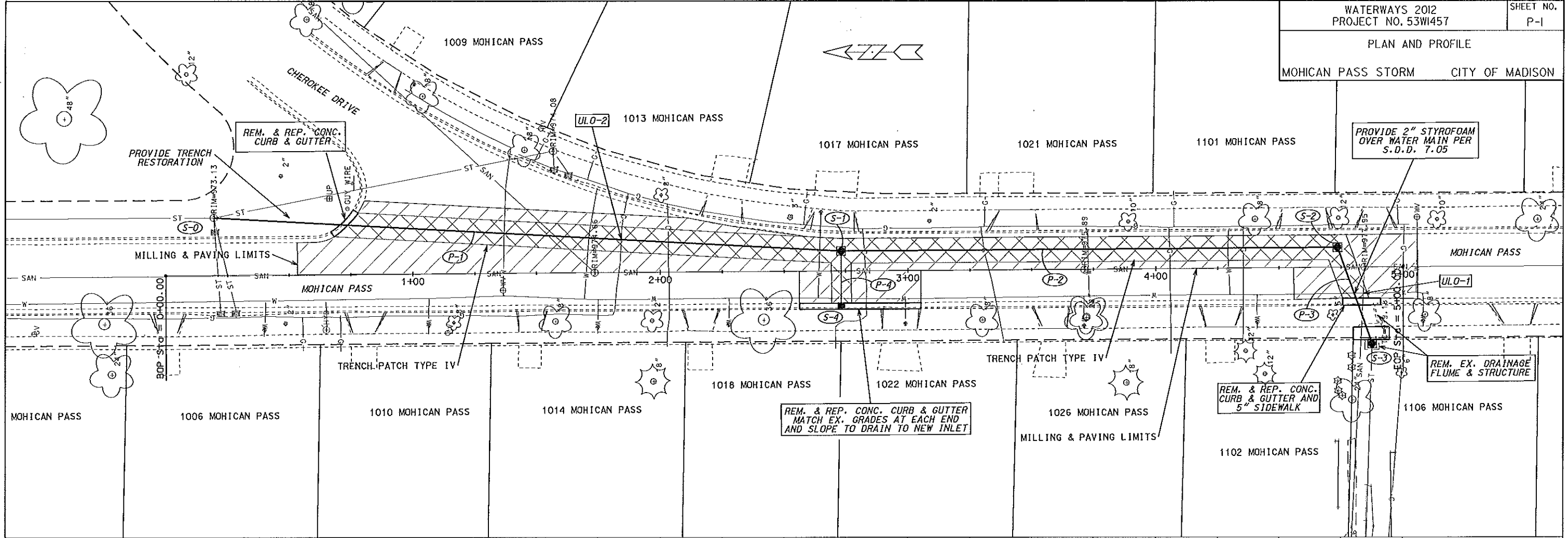
TOTAL ASSESSED ESTIMATED COST = \$1210.00

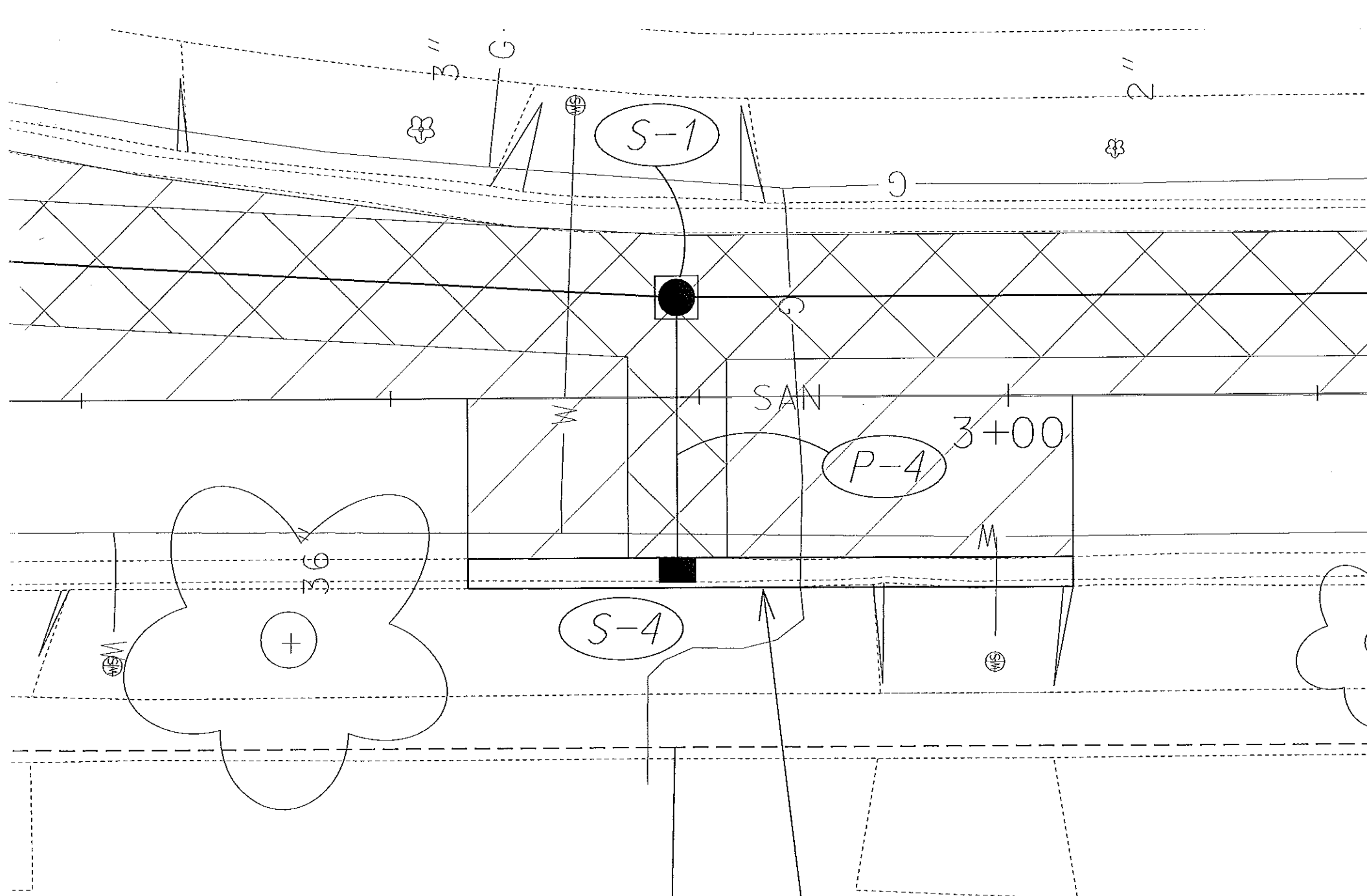


3/12/2012 11:17



3/12/01





1018 MOHICAN PASS

1022 MOHICAN PASS

REM. & REP. CONC. CURB & GUTTER
 MATCH EX. GRADES AT EACH END
 AND SLOPE TO DRAIN TO NEW INLET