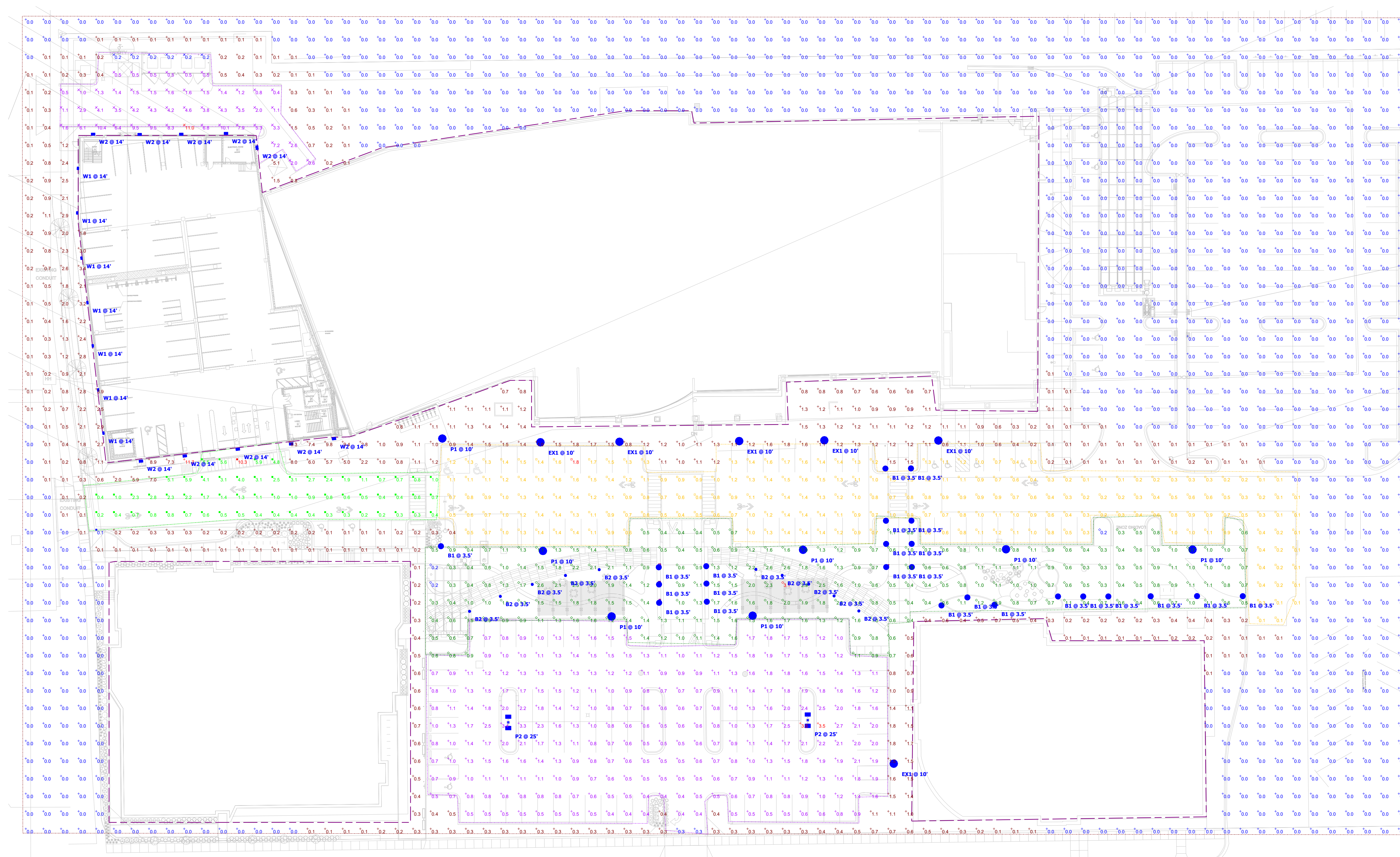


| Image | Symbol | Label | Quantity | Manufacturer | Description | Catalog Number | Number Lamps | Lumens Per Lamp | Light Loss Factor | Wattage |
|-------|--------|-------|----------|-------------------|--|------------------------------|--------------|-----------------|-------------------|---------|
| | | B1 | 24 | FC Lighting | F00263FCB460AM | | 1 | 128 | 0.8 | 35.049 |
| | | B2 | 10 | Forms+Surfaces | Light Column Bolard, version 2, Series 600 | | 144 | 7 | 0.8 | 10.35 |
| | | EX1 | 6 | Holophane | Washington Glass LED III, P10 LED Performance Package, 5000K CCT, Type V, Bud Final | WAE3 P30 50K XXXX GLS RD | 1 | 8941 | 0.8 | 56 |
| | | P1 | 7 | Holophane | Washington Glass LED III, P10 LED Performance Package, 5000K CCT, Type V, Bud Final | WAE3 P30 50K XXXX GLS RD | 1 | 8941 | 0.8 | 56 |
| | | P2 | 2 | Lithonia Lighting | K40 LED, 40 LED, 700mA MVOLT DRIVER, 5000K, TYPE 3 OPTICS. | K40 LED 40C 700 50K R3 MVOLT | 1 | 11068 | 0.8 | 188 |
| | | W1 | 7 | Lithonia Lighting | WDGE1 LED WITH P2 - PERFORMANCE PACKAGE, 5000K, 80CRI, VISUAL COMFORT FORWARD OPTIC. | WDGE1 LED P2 50K 80CRI VF | 1 | 1992 | 0.8 | 15.0178 |
| | | W2 | 10 | Lithonia Lighting | WDGE2 LED WITH P5 - PERFORMANCE PACKAGE, 5000K, 80CRI, VISUAL COMFORT FORWARD OPTIC. | WDGE2 LED P5 50K 80CRI VF | 1 | 5984 | 0.8 | 48.44 |

| Description | Symbol | Avg | Max | Min | Max/Min | Avg/Min |
|---------------------|--------|--------|---------|--------|---------|---------|
| Calc Zone #2 | | 0.6 fc | 11.7 fc | 0.0 fc | N/A | N/A |
| EAST PARKING | | 1.2 fc | 3.5 fc | 0.3 fc | 11.7:1 | 4.0:1 |
| PARKING | | 0.9 fc | 1.8 fc | 0.0 fc | N/A | N/A |
| SOUTH ENTRANCE | | 1.7 fc | 10.3 fc | 0.1 fc | 103.0:1 | 17.0:1 |
| SOUTH WEST ENTRANCE | | 3.1 fc | 11.0 fc | 0.2 fc | 55.0:1 | 15.5:1 |
| VILLAGE GREEN | | 1.0 fc | 3.1 fc | 0.2 fc | 15.5:1 | 5.0:1 |



Plan View
Scale - 1" = 30'

FCB460A



Wildlife Lighting Certified
by the Florida Fish & Wildlife
Conservation Commission



| | |
|-----------------|------------------|
| Date: | Approved: |
| Type: | |
| Fixture: | |
| Project: | |

FCB460A Exterior 316 stainless steel and die-cast aluminum bollard. Round 8-inch diameter and 43" tall, louvered bollard with optional house shield for 180° or 270° cut off. Certified by the Florida Fish & Wildlife Conservation Commission as approved for Wildlife Lighting in areas with protected environments. Designed and built to provide downward directed light completely surrounding the luminaire, or optionally, internally shielded to 180° or 90° light pattern.

SPECIFICATIONS

PHYSICAL

| | |
|---------------------------|---|
| dimensions | 43"H x 8"Dia. Ø |
| weight | 25 lbs |
| housing | Marine grade 316 stainless steel housing |
| lens | Clear, heat resistant, tempered glass globe |
| mounting | Heavy gauge base bracketing for bollard installation provides a unique mounting solution, so the tower body anchors flush to the ground without the appearance of a base plate, anchor bolts included (j-box by others) |
| ingress protection | IP66: dry, damp, or wet locations with extruded silicone gasket to seal out contaminants |
| finish | Marine grade 316 stainless steel housing |

PERFORMANCE

| | |
|------------------------------|--|
| color temperature | AMBER (no light below 560nm wavelength) |
| lumen output | 128 lm |
| lifetime | > 70,000 hours / L70 or better |
| color consistency | 3 SDCM / Standard: 85 CRI |
| operating temperature | -13°F to 104°F (-25°C to 40°C) |
| junction temperature | 73°C @ T ^a 25°C |
| warranty | 5-Year limited warranty (refer to website for details) |

ELECTRICAL

| | |
|--------------------------|--|
| input voltage | Universal 120-277VAC optional: 347 VAC (integral) 480 VAC (integral) |
| power supply | Integral Class II, electronic high-power factor > 94% @120V |
| certification | ETL / cETL Listed; Wildlife Friendly Lighting Certification #2018-049 |
| standards | UL 1598 / CSA C22.2 No. 250.0 - Class II / IES LM-79 / LM-80 |
| power consumption | 35W @ 120V - 277V (maximum) |
| dimming | Standard: 0-10V (1%) |



Due to continuous development and improvements, specifications are subject to change without notice. FC Lighting reserves the right to change lab test details or specifications without notice. Product use certifies agreement to FC Lighting terms and conditions.



Ordering Information

| ORDERING | | | | | | | |
|----------------|-------------------------------|---------------|-----------------|------------------------|---------------------------|---------------------|-----------------------------------|
| SERIES | VOLTAGE | HEIGHT | CCT | LUMENS | FINISH | OPTIONS | |
| FCB460A | | 43 | AM | 1L | SS | | |
| FCB460A | 120V 120 Volts | 43 43" | AM Amber | 1L 128 lm (35W) | SS Stainless Steel | LD | 0-10V Dimming |
| | 277V 277 Volts | | | | | PE120 | Photo Eye for 120V |
| | UNV Universal 120-277V | | | | | PE277 | Photo Eye for 277V |
| | | | | | | HS | 180° House Shield |
| | | | | | | HS2 | 270° House Shield |
| | | | | | | BBUR | Battery Backup Remote |
| | | | | | | SP20 | 20kv Surge Protector |
| | | | | | | SP20 w/ BBUR | Require two SP20 Surge Protectors |

Due to continuous development and improvements, specifications are subject to change without notice. FC Lighting reserves the right to change lab test details or specifications without notice. Product use certifies agreement to FC Lighting terms and conditions.

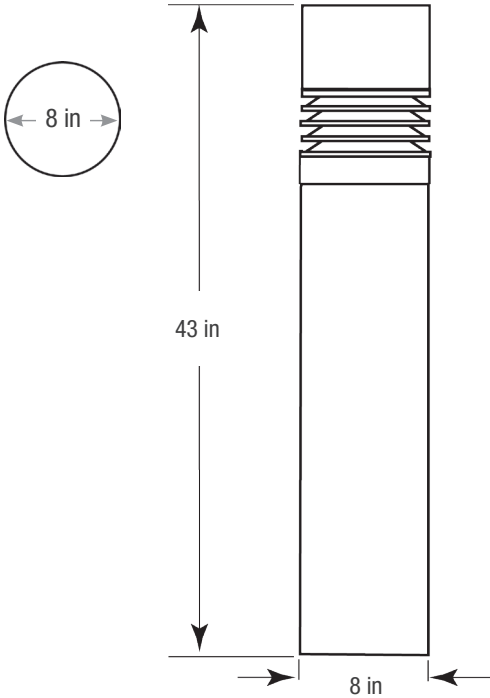
FCB460A



Physical

PRODUCT DIMENSIONS - STANDARD PRODUCT

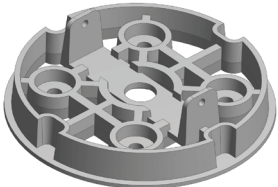
| | |
|--------|--------|
| height | 43" H |
| width | 8" Ø W |



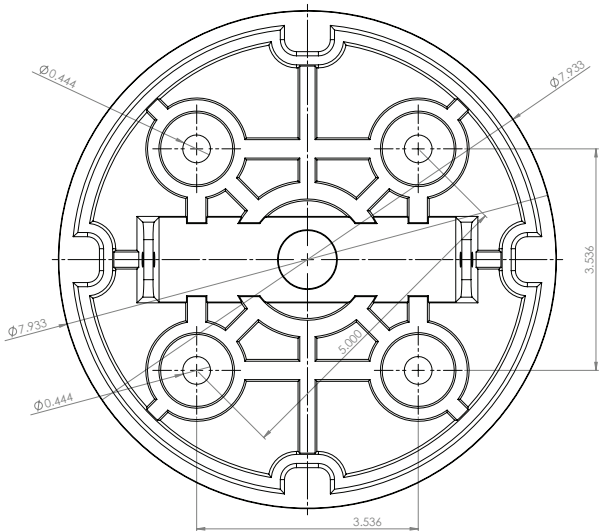
MOUNTING

| | |
|-------------------------|--------------|
| mounting plate diameter | 7.933" Dia Ø |
|-------------------------|--------------|

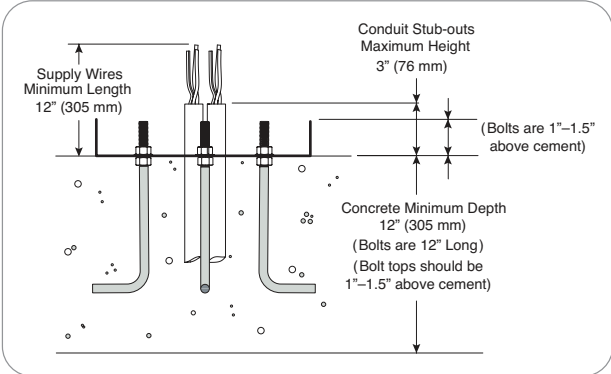
| | |
|--------------------|--------------------|
| Anchor Bolt Part # | J10010 |
| Quantity Required | 4 for each bollard |



mounting hole pattern



Concrete minimum depth 12"; 12" anchor bolts extend above cement, see installation instructions for detailed information.

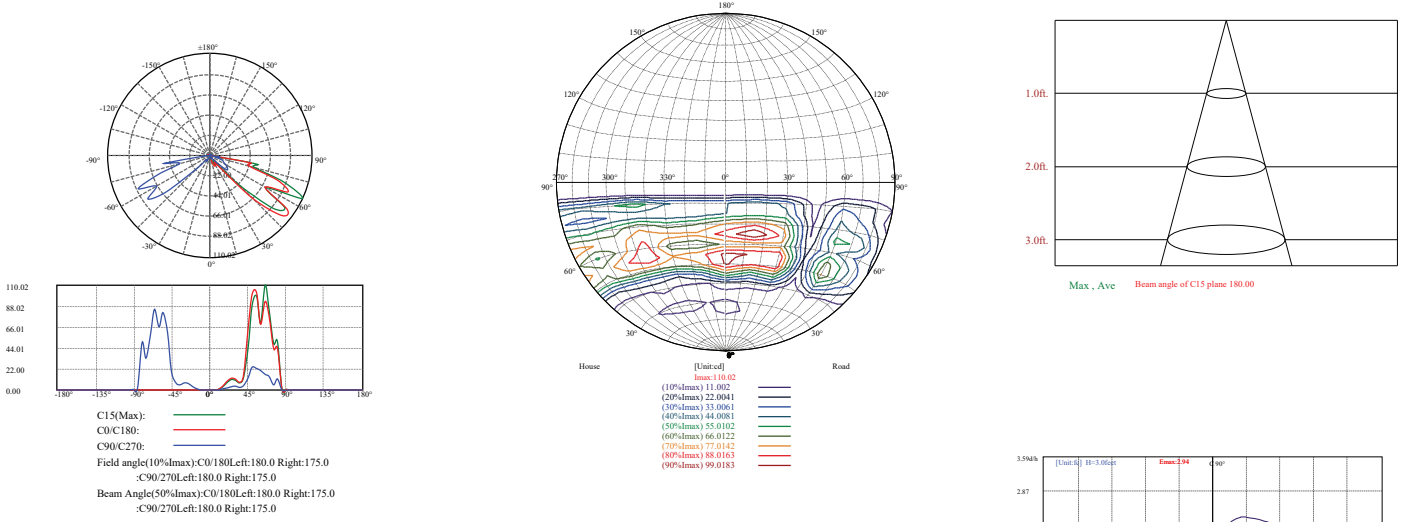


Due to continuous development and improvements, specifications are subject to change without notice. FC Lighting reserves the right to change lab test details or specifications without notice. Product use certifies agreement to FC Lighting terms and conditions.

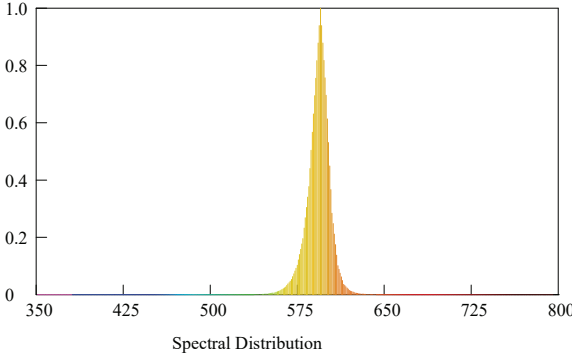


Photometry

OPTICAL DISTRIBUTION



Spectroradiometric Parameters



OPTIONS

- HS - 180° House Shield
- HS2 - 270° House Shield

FIND IES FILES ON FCLIGHTING.COM

Due to continuous development and improvements, specifications are subject to change without notice. FC Lighting reserves the right to change lab test details or specifications without notice. Product use certifies agreement to FC Lighting terms and conditions.



LIGHT COLUMN BOLLARD

PRODUCT DATA





LIGHT COLUMN BOLLARD

PRODUCT DATA

Sleek in stainless steel, the Light Column Bollard integrates into a wide range of settings and offers numerous design possibilities. Bollard columns are available in 5" or 6" diameters. Illumination options include LED lamps in white or RGBW, and multiple ways to direct light: no shield for symmetrical lighting, or 180° and 360° shields in standard or custom designs. Non-illuminated and S10-P1 security variations, and matching Light Column Pathway Bollards and Light Column Pedestrian Lighting make it easy to create a cohesive look across functionalities.

MATERIAL & CONSTRUCTION DETAILS

| CONFIGURATIONS | MATERIALS & FINISHES | LED LAMPS & DRIVER |
|--|--|---|
| <ul style="list-style-type: none"> Light Column Bollards are available in two sizes. Series 500 columns are 5" (127 mm) diameter tubular stainless steel; Series 600 columns are 6" (152 mm) diameter tubular stainless steel. To complement the illuminated bollard, a non-illuminated version is also available in both Series 500 and Series 600. Bollards can be specified with a removable base, with the exception of the RGBW option. Weather resistant GFCI outlet for maintenance access is available for Series 600, illuminated, non-RGBW, non-security bollards. Door for optional GFCI outlet is accessed using a flathead screwdriver. See drawings on our website for details. | <ul style="list-style-type: none"> Illuminated bollards have a tubular stainless steel column, white-frosted acrylic lens, and a stainless steel head cap. Non-illuminated bollards are tubular stainless steel with welded stainless steel cap. Stainless steel is standard with a Satin finish and Ceramiloc treatment. See below for details For optional powdercoat colors see the Forms+Surfaces Powdercoat Chart. Custom RAL colors are available for an upcharge. | <ul style="list-style-type: none"> Custom LED light engine with Cree® LEDs. Features advanced LED technology with 3000K warm white and 4000K natural white LEDs. 10W LED driver input power is 120-277V, -30°C starting temperature. Driver has forward-phase, reverse-phase and 0-10V dimming capabilities. LED driver certifications include: IP66 (waterproof) enclosure, and Class 2 rated output (UL8750) |
| | | RGBW LED LAMPS & DRIVER |
| SHIELD OPTIONS | WEIGHT | <ul style="list-style-type: none"> RGBW LED board utilizing Cree® LEDs. RGBW, 4000K white, and dynamic white via DMX512 protocol and onboard decoder interface. Controller to be provided by others. 96W LED driver with 100-277V input power, -30°C starting temperature. LED driver certifications include: IP66 (waterproof) enclosure, and Class 2 rated output (UL8750) |
| <ul style="list-style-type: none"> Five standard shield designs are available for an upcharge. Refer to page 3 for details. Custom shield designs with either 180° or 360° coverage are also available. Shields are offered for Series 500 and Series 600 illuminated and RGBW bollards. | <ul style="list-style-type: none"> Series 500, illuminated: 30 lbs (14 kg); non-illuminated: 32-33 lbs (15 kg) Series 600, illuminated: 34 lbs (15 kg); non-illuminated: 34-39 lbs (15-18 kg) Series 600, security core, illuminated: 170 lbs (77 kg); non-illuminated: 177 lbs (80 kg) | |

CERAMILOC TREATMENT

Ceramiloc is an invisible surface treatment that offers significantly enhanced protection from weather and graffiti and increases the maintenance ease of stainless steel. Ceramiloc combines ceramic durability with an unparalleled ability to lock out water spots, fingerprints, graffiti and more. Patented technology bonds nano-silica particles to the surface of the stainless steel. The treatment minimally alters the surface appearance of the stainless and offers numerous benefits:

- Easily Cleaned:** The Ceramiloc treatment creates a surface that simultaneously resists fingerprints and is easy to clean. Water spots, grease marks and more can be quickly wiped away. It also creates an "anti-graffiti" surface – even permanent marker is easily removed with a clean microfiber towel and water.
- Durable:** Ceramiloc-treated materials are abrasion- and scratch-resistant. The treatment is permanent, UV stable, and will not degrade or discolor over time.
- Environmentally Sound:** The Ceramiloc treatment is a no-VOC, water-based process. Because Ceramiloc surfaces are so easily maintained, cleaning solutions and maintenance are kept to a minimum.

INSTALLATION & MAINTENANCE

| INSTALLATION | MAINTENANCE |
|---|--|
| <ul style="list-style-type: none"> Standard mounting is surface mount with 1/2"-13x18" J-bolt anchors. 1/2" thick stainless steel base plate is slotted for rotational capability. S10 security bollards have an embedded security core and are available for Series 600 bollards, except for the RGBW option, for an upcharge. All bollards, except for the RGBW option, can be specified with a removable base. RGBW bollards are connected via a daisy-chained hard-wired control signal in and out of each bollard. Installation of a surge protector as part of each units wiring is recommended. Stainless steel mounting hardware sold separately. Templates are available upon request. | <ul style="list-style-type: none"> Metal surfaces can be cleaned as needed using a soft cloth or brush with warm water and a mild detergent. Avoid abrasive cleaners. |

T 800.451.0410 | www.forms-surfaces.com

FORMS+SURFACES®

© 2022 Forms+Surfaces® | All dimensions are nominal. Specifications and pricing subject to change without notice. For the most current version of this document, please refer to our website at www.forms-surfaces.com.



LIGHT COLUMN BOLLARD

PRODUCT DATA

ILLUMINATED BOLLARDS

LAMP DESCRIPTIONS

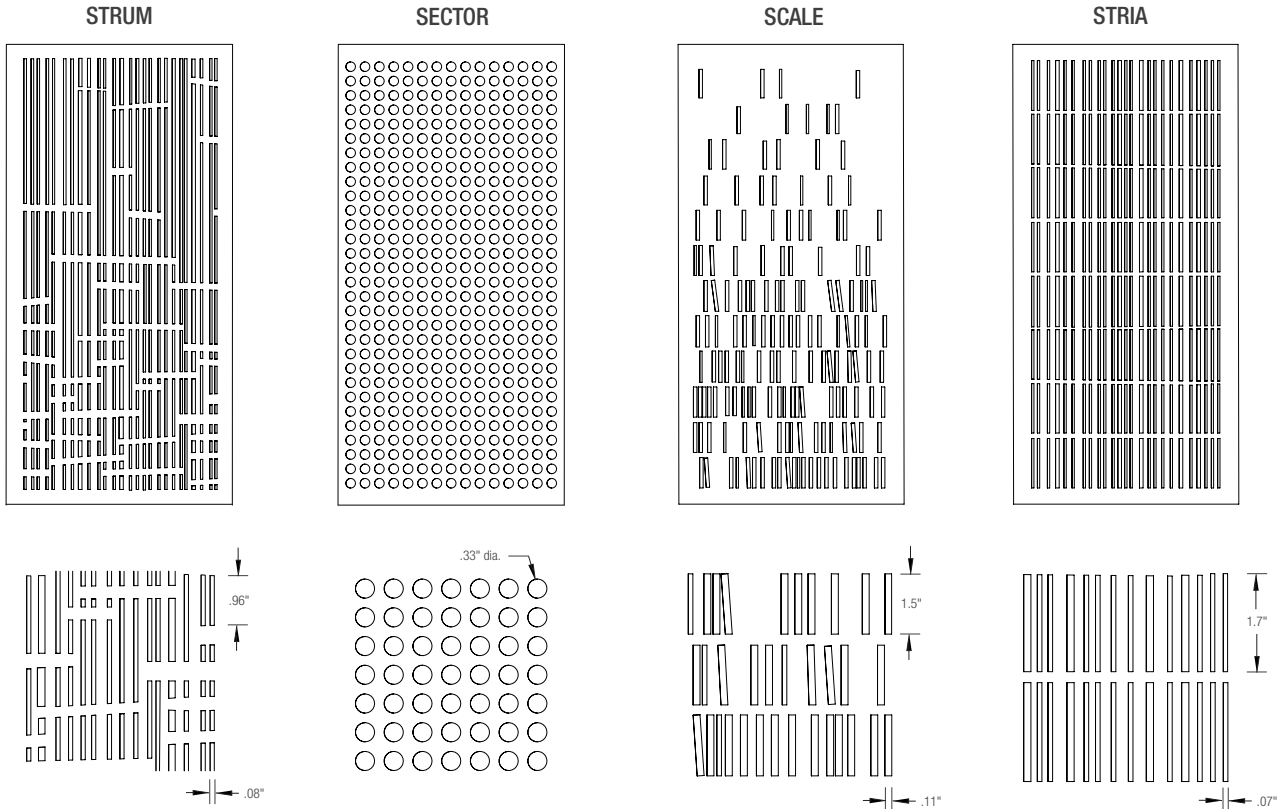
| LAMP | DESCRIPTION | LUMINAIRE LUMENS* | | B.U.G. RATING | LED STARTING TEMPERATURE °C |
|-----------|-----------------------------|-------------------|--------|---------------|-----------------------------|
| | | 500 | 600 | | |
| 3000K LED | 10W custom LED light engine | 1006 | 990 | B0-U3-G1 | -30 |
| 4000K LED | 10W custom LED light engine | 1006 | 990 | B0-U3-G1 | -30 |
| RGBW LED | 78W custom LED light engine | varies | varies | varies | -30 |

*Luminaire lumens represents the absolute photometry for the luminaire, and indicates the lumens out of the entire fixture.

NOTE: Polar candela and isofootcandle plots can be found on the Light Column Bollard product page on our website.

STANDARD SHIELD DESIGNS

Shields are available in 180° or 360° configurations with standard or custom designs. Solid 180° shields are also available.





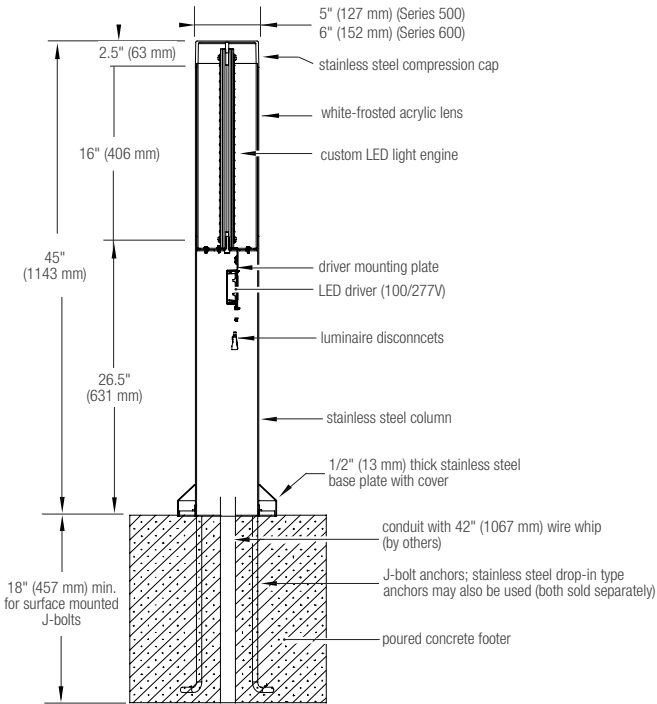
LIGHT COLUMN BOLLARD

PRODUCT DATA

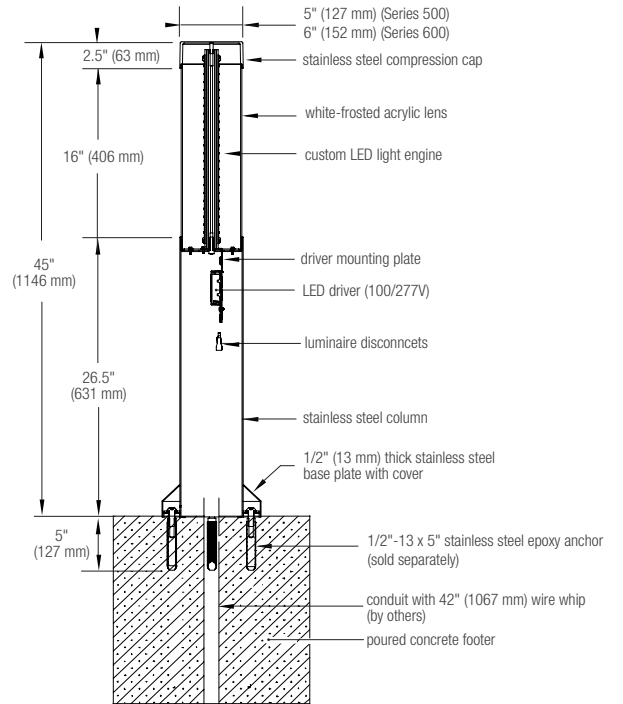
ILLUMINATED BOLLARDS - CONTINUED

NOMINAL DIMENSIONS

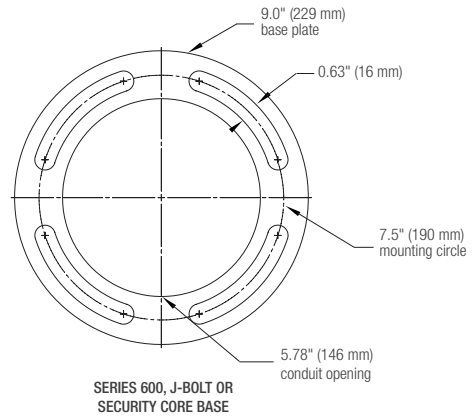
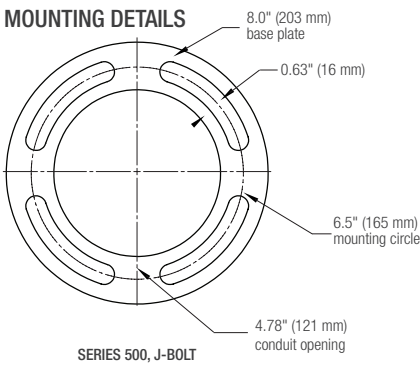
SURFACE MOUNT WITH J-BOLTS



SURFACE MOUNT WITH REMOVABLE BASE*



BASE PLATE MOUNTING DETAILS



* Not Available with RGBW LED option.

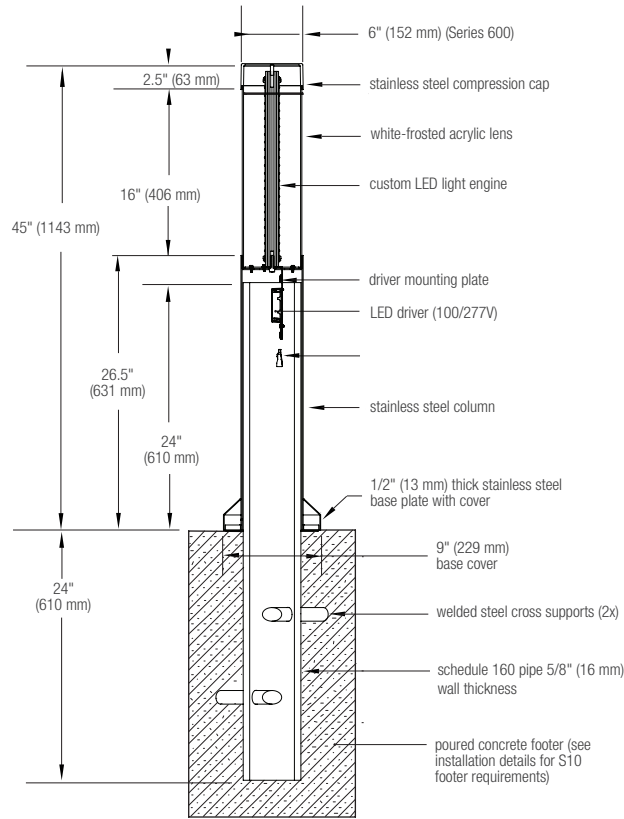


LIGHT COLUMN BOLLARD

PRODUCT DATA

ILLUMINATED BOLLARDS - CONTINUED

NOMINAL DIMENSIONS - EMBEDDED SECURITY CORE*



OPTIONAL SECURITY CORE

Site security is a major concern in today's unpredictable world. Public and private buildings, government facilities, campuses and public parks are all susceptible to accidental, as well as deliberate, vehicle infringement. Design professionals, city planners, facilities managers and engineers must now be increasingly sensitive to the safety and security requirements of public and private spaces. Security bollards placed at ingress points are an excellent way to guard against vehicle infringement while allowing pedestrian access.

Most security bollards have taken the form of generic pipes and cylinders that offered little in the way of design or lighting functionality. An integral security solution is available as an optional enhancement to Forms+Surfaces' Light Column lighting bollards. By adding a pre-engineered and fully-tested security core to the existing Light Column design, we can offer a beautiful and efficient lighting bollard that also meets the stringent hi-impact crash requirements normally attained only with unattractive pipe barriers.

Light Column S10-P1 security bollards have been tested using a Finite Element Analysis (FEA) by a professional engineering consultant. FEA is a software-based tool commonly used in the automotive industry and used extensively for crash test simulations. Tests were performed using our bollard set in permanent concrete footings and struck by a vehicle at a 90 degree impact. The impact simulation found the bollards to be successful in stopping a 5,000 lb. small passenger vehicle going 10 mph with less than one meter penetration.

Our permanently embedded security cores are available for both illuminated and non-illuminated bollards. Please contact us to discuss design and installation considerations for Light Column bollards with security cores.



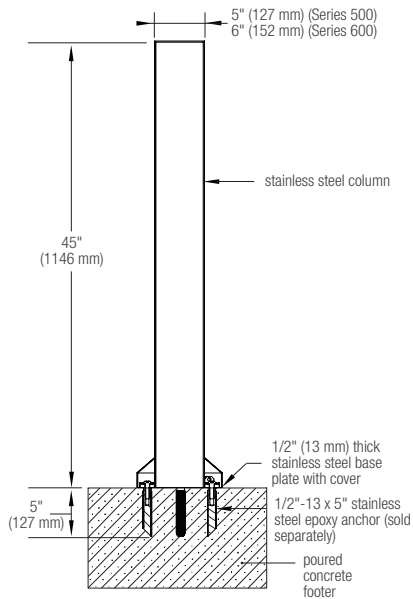
LIGHT COLUMN BOLLARD

PRODUCT DATA

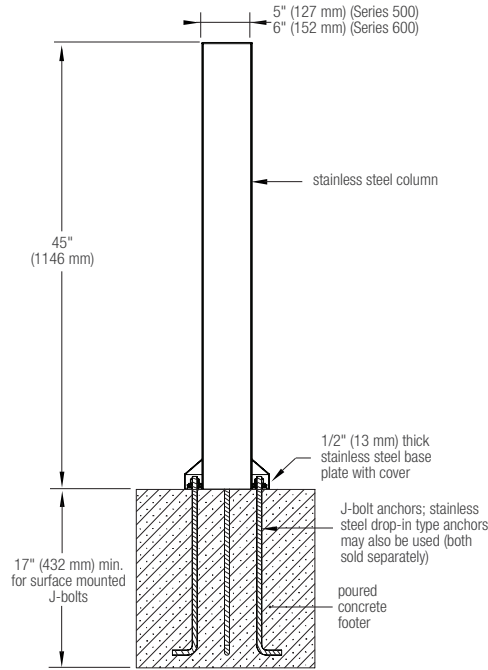
NON-ILLUMINATED BOLLARDS

NOMINAL DIMENSIONS

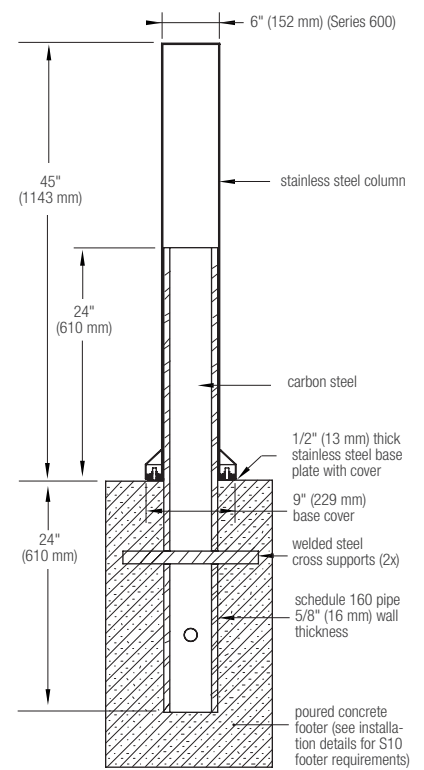
SURFACE MOUNT WITH REMOVABLE BASE



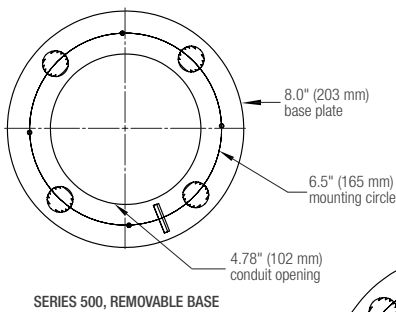
SURFACE MOUNT WITH J-BOLTS



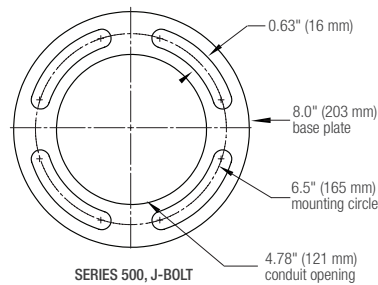
EMBEDDED SECURITY CORE



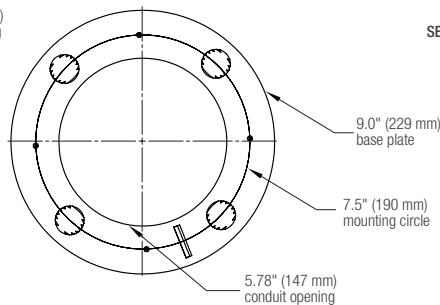
BASE PLATE MOUNTING DETAILS



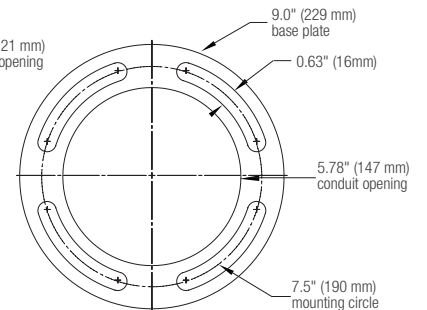
SERIES 500, REMOVABLE BASE



SERIES 500, J-BOLT



SERIES 600, REMOVABLE BASE



SERIES 600, J-BOLT OR SECURITY CORE BASE

T 800.451.0410 | www.forms-surfaces.com

FORMS+SURFACES®

© 2022 Forms+Surfaces® | All dimensions are nominal. Specifications and pricing subject to change without notice. For the most current version of this document, please refer to our website at www.forms-surfaces.com.



LIGHT COLUMN BOLLARD

PRODUCT DATA

CERTIFICATIONS

- ETL and C-ETL listed for wet locations.

ENVIRONMENTAL CONSIDERATIONS

- Please refer to the Light Column Bollard Environmental Data Sheets for detailed environmental impact information.
- Light Column Bollard has high recycled content and is highly recyclable.
- Powdercoat finishes are no- or low-VOC, depending on color.
- Low maintenance.

MODEL NUMBERS AND DESCRIPTIONS

| MODEL | DESCRIPTION |
|----------------|---|
| LBLCB-504 | Light Column Bollard, Series 500, illuminated |
| LBLCB-604 | Light Column Bollard, Series 600, illuminated |
| LBLCB-504-RGBW | Light Column Bollard, Series 500, illuminated, RGBW |
| LBLCB-604-RGBW | Light Column Bollard, Series 600, illuminated, RGBW |
| LBLCB-504-N | Light Column Bollard, Series 500, non-illuminated |
| LBLCB-604-N | Light Column Bollard, Series 600, non-illuminated |

PRODUCT OPTIONS

The following options are available for an upcharge

| | |
|---|---|
| Upgrade to embedded security core (available for Series 600)* | Add 360° custom shield (customer-supplied artwork) |
| Upgrade to removable base* | Add GFCI outlet (available for Series 600, illuminated, non-security bollards)* |
| Add stainless steel mounting hardware | Add powdercoat color from Forms+Surfaces Powdercoat Chart |
| Add 180° shield in standard designs | Custom RAL powdercoat color |
| Add 360° shield in standard designs | Custom fixture height |
| Add 180° custom shield (customer-supplied artwork) | |

*Not available with RGBW LED option.

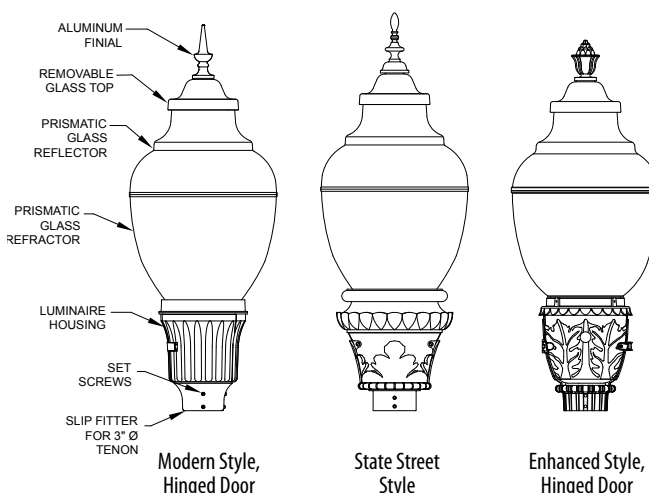
LEAD TIME: 6 to 8 weeks. Shorter lead times may be available upon request. Please contact us to discuss your specific timing requirements.

PRICING: Please contact us at **800.451.0410** or **sales@forms-surfaces.com**. At Forms+Surfaces, we design, manufacture and sell our products directly to you. Our sales team is available to assist you with questions about our products, requests for quotes, and orders. Territory Managers are located worldwide to assist with the front-end specification and quoting process, and our in-house Project Sales Coordinators follow your project through from the time you place an order to shipment.

TO ORDER SPECIFY: Quantity, model, finish, lamp, shield (if applicable), and mounting. Quote/Order Forms are available on our website to lead you through the specification process in a simple checkbox format.

NOTE: Because different computers will render colors and textures differently, actual colors and finishes may vary slightly from those shown here.

| | |
|----------------|------|
| Catalog Number | |
| Notes | Type |



| | Modern Style, Hinged Door | State Street Style | Enhanced Style, Hinged Door |
|-----------------------------------|---------------------------|--------------------|-----------------------------|
| Maximum weight: | 65 lbs. | 80 lbs. | 80 lbs. |
| Maximum effective projected area: | 2.26 sq. ft. | 2.26 sq. ft. | 2.26 sq. ft. |

WAE3

Washington Postlite LED3 Series

SPECIFICATIONS

General Description

The Washington Postlite LED 3 Utility is styled to replicate the acorn luminaires that lighted streets in the first half of the 20th century. Designed for superior light control, ease of installation, and maintenance, the Washington Postlite has a precision prismatic glass optical system for true street lighting performance as well as beauty. The large acorn-shaped luminaire, contains a powerful, stalk-mounted Chip-On-Board, LED platform with a precision optical system that maximizes post spacings while maintaining uniform illumination.

Mechanical Specifications

The luminaire housing shall:

- Be heavy grade A360 cast aluminum (aluminum with <1% copper)
- The glass optic is bolted onto to a gasketed top housing plate, using three stainless steel bolts that form an IP66 seal of the optical assembly.
- The housing provides an enclosure for a plug-in electrical module
- The housing accepts 3" high by 2-7/8" to 3-1/8" O.D. pole tenon and offers stainless steel set screws to securely fasten the luminaire to pole tenon

Available in three styles:

- MS Housing: Fluted decorative housing with hinge-door, tool-less entry
- EN Housing: Leaf-styled decorative housing with hinge-door, tool-less entry
- STS Housing: Leaf-styled decorative housing with pop-off door

The finish shall:

- Utilize a polyester power coat paint to ensure maximum durability
- Rigorous multi-stage pre-treating and painting process yields a finish that achieves a scribe creepage rating of 8 (per ASTM D1654) after over 5000 hours exposure to salt fog chamber (operated per ASTM B117) on standard and RAL finish options.
- RAL (RALxxxxSDCR) paint colors are Super Durable Corrosion Resistant, 80% gloss.

Electrical Specifications

The driver shall meet the following requirements:

- Certified by UL or CSA for wet locations
- A programmable electronic driver with 0-10V dimming control leads
- LEDs shall have a minimum of 70 CRI and available in 2700K, 3000K, 4000K, and 5000K CCT
- The electrical system shall be designed to meet ANSI/IEEE C62.41.2 and shall offer a 10kV/5kA surge protection, fail off, as standard with an upgradable 20kV/10kA surge protection, fail off with indicator light, option
- Lumen output can be customized prior to manufacturing by way of FPDxx Options
- The electrical components are mounted on an aluminum plate that is removeable with minimum use of tools. A matching five conductor plug connects to the receptacle in the luminaire housing to complete the wiring. For photoelectric operation, the electrical module is provided with an EEI-NEMA twist-lock photocell receptacle.

Optical Specifications

The optical system is IP66 rated and consists of a precisely molded thermal resistant borosilicate glass refractor and top reflector mounted within various decorative ribs and banding configurations. The top reflector redirects over 50% of the upward light into the controlling refractor while allowing a soft up-light component to define the traditional acorn shape of the luminaire. The lower refractor uses precisely molded prisms to maximize pole spacings while maintaining uniform illuminance. Two refractors are available, designed for IES type III and V distributions. Lunar Optics shielding is available for asymmetric and symmetric distributions.

Control Options

The control options shall include, but not limited to, the following:

- Field adjustable output to adjust output to luminaire - AO
- Long life photocontrol, 20 years – PCLL, P34 and P48 with DTL
- 3 and 7 pin receptacles internally in housing (PR3, PR7) or inside glass mounted (PR7E)
- nLight Air rSBOR6 outdoor fixture-mounted motion and photo-sensor, features a dual radio to communicate wirelessly to other nLight Air devices for group response to motion, on/off control in response to daylight and by switch, RSBOR6
- Fixture embedded nLight Air network interface for individual fixture control and dimming, NLTAIR2

Certification and Standards

- Luminaire shall be UL or CSA
- Suitable for operation in an ambient temperature up to 40°C / 105°F per UL or CSA certification
- LM79 compliant
- DesignLights Consortium® (DLC) Premium qualified product and DLC qualified product. Not all versions of this product may be DLC Premium qualified or DLC qualified. Please check with the DLC Qualified Products List at www.designlights.org/QPL to confirm which versions are qualified.

BUY AMERICAN

This product is assembled in the USA and meets the Buy America(n) government procurement requirements under FAR, DFARS and DOT. Please refer to www.acuitybrands.com/resources/buy-american for additional information.

Warranty – 5 Years Limited

Complete warranty terms located at:

www.acuitybrands.com/support/warranty/terms-and-conditions

Note: Actual performance may differ as a result of end-user environment and application. All values are design or typical values, measured under laboratory conditions at 25 °C.

ORDERING INFORMATION

Example: WAE3 P30 30K MVOLT MS GL3 BK BBR TBK AO

| Series | LED Performance Package | LED Color temperature | Voltage | Housing Style |
|-------------------------------|---|---|---|---|
| WAE3 Washington Postlite LED3 | P10 3,200 nominal lumens P20 5,300 nominal lumens P30 8,100 nominal lumens P40 11,200 nominal lumens P50 13,300 nominal lumens P60 16,200 nominal lumens P70 19,100 nominal lumens | 27K 2700K CCT 30K 3000K CCT 40K 4000K CCT 50K 5000K CCT | MVOLT Auto-Sensing 120-277V 56/60 HZ HVOLT Auto-Sensing 347-480V 56/60 HZ | MS Modern Style, Hinged Door EN Enhanced Style, Hinged Door STS State Street Style |

| Optics | Housing Color | Trim | Trim Color |
|-----------------------------------|---|--|--|
| GL3 Glass, Type III | BK Black | BD Bud Finial | TBK Black |
| GL5 Glass, Type V | BZ Bronze | SK Spike Finial | TBZ Bronze |
| GL3LU Glass, Type III Lunar Optic | GH Graphite | OR Ornate Finial | TGH Graphite |
| GL5LU Glass, Type V Lunar Optic | GN Green | BBR Bud Finial, Band and Ribs | TGL Gold |
| | GR Grey | SBR Spike Finial, Band and Ribs | TGN Green |
| | PP Prime Paint | OBR Ornate Finial, Band and Ribs | TGR Grey |
| | WH White | BMB Band, Medallions and Bud Finial | TPP Prime Paint |
| | CMC Custom Match Color Finish | BMS Band, Medallions and Spike Finial | TWH White |
| | XX Standard finish, TBD | BMO Band, Medallions and Ornate Finial | TCMC Custom Match Color Finish |
| | RALxxxxSDCR RAL Super Durable Corrosion Resistant, 80% Gloss Paint, replace xxxx with RAL number. | | TXX Standard Finish, TBD |
| | | | TRALxxxxSDCR RAL Super Durable Corrosion Resistant, 80% Gloss Paint, replace xxxx with RAL number. |

Options: Option Compatibility Matrix on page 3 of 4

| CONTROLS OPTIONS | DRIVER ELECTRICAL OPTIONS | PREWIRED LEAD OPTIONS | COVER OPTIONS |
|---|--|---------------------------|---------------------------------|
| AO Field Adjustable Output | FPDxx Factory Programmed Driver | L1H 1.5 ft prewired leads | FC Full Cover |
| PR3 NEMA twistlock photocontrol receptacle - 3 pin | 20KV Extreme surge protection 20kV/10kA, fail off with indicator light | L03 3 ft prewired leads | SHC Shorewood 1/2 cover |
| PR7 NEMA twistlock dimming photocontrol receptacle - 7 pin | | L10 10 ft prewired leads | |
| PR7E NEMA twistlock dimming photocontrol receptacle - 7 Pin (Under Glass) | | L20 20 ft prewired leads | |
| PCLL Long Life DTL Twistlock Photocontrol for Solid State, MVOLT | | L25 25 ft prewired leads | NEMA LABEL OPTIONS |
| P34 Long Life DTL Twistlock Photocontrol for Solid State, 347V | | L30 30 ft prewired leads | NL1X1 1"X1" ANSI Wattage Label |
| P48 Long Life DTL Twistlock Photocontrol for Solid State, 480V | | | NL 2x2 2"X2" ANSI Wattage Label |
| SH Shorting Cap | | | |
| RSBOR6 nLight Motion Sensing Photocontrols | | | |
| NLTAIR2 nLight RIO 2.0 Antenna | | | |

Accessories: Order as separate catalog number.

| HOUSE-SIDE SHIELD OPTIONS | |
|---------------------------|--|
| WLEDHS90 | House Side Shield solid 90 Degree |
| WLEDHS12 | House Side Shield solid 120 Degree |
| WLEDHS18 | House Side Shield solid 180 Degree |
| WLEDHSS90 | House Side Shield solid 90 Degree (lunar) |
| WLEDHSS12 | House Side Shield solid 120 Degree (lunar) |
| WLEDHSS18 | House Side Shield solid 180 Degree (lunar) |

OPTIONS MATRIX

Table with 33 columns (WAE3, Housing Style, LED Package, Voltage, Distribution, Trims, Options, Covers) and multiple rows for each category (e.g., Housing Style: MS, EN, STS; LED Package: P10-P70; Voltage: MVOLT, HVOLT; Distribution: GL3, GL5, GL3LU, GL5LU; Trims: BD, SK, OR, BMB, BMS, BMO, BBR, SBR, OBR; Options: AO, FPDxx, PR3, PR7, PR7E, PCLL, P34, P48, SH, RSBOR6, NLTAIR2, 20kV; Covers: FC, SHC; House Side Shield: WLEDH590, WLEDH512, WLEDH518, WLEDH590, WLEDH512, WLEDH518).

MATRIX KEY
N = Combination Not available
Y = Valid Option Combination

LUMEN AMBIENT TEMPERATURE (LAT) MULTIPLIERS

Use the factors to determine relative lumen output for average ambient temperatures from 0-40°C (32-104°F)

| Ambient Temp | | Lumen Multiplier | |
|--------------|-----|------------------|-------------------------|
| °C | °F | P10, P20 | P30, P40, P50, P60, P70 |
| 0 | 32 | 1.03 | 1.04 |
| 5 | 41 | 1.02 | 1.04 |
| 10 | 50 | 1.02 | 1.03 |
| 15 | 59 | 1.01 | 1.02 |
| 20 | 68 | 1.01 | 1.01 |
| 25 | 77 | 1.00 | 1.00 |
| 30 | 86 | 0.99 | 0.99 |
| 35 | 94 | 0.99 | 0.98 |
| 40 | 104 | 0.98 | 0.97 |

PROJECTED LED LUMEN MAINTENANCE

Data references the extrapolated performance projections for the platforms noted in 25°C ambient, based on 6,000 hours of LED testing (tested per IESNA LM-80-08 and projected per IESNA TM-21-11). To calculate LLF, use the lumen maintenance factor that corresponds to the desired number of operating hours below. For other lumen maintenance values, contact factory.

| Lumen Maintenance - LLD (Same for all LED packages) | | | | | | | |
|---|---|--------|--------|--------|--------|--------|---------|
| Hours | 0 | 25,000 | 36,000 | 50,000 | 60,000 | 75,000 | 100,000 |
| Factor | 1 | 0.96 | 0.94 | 0.91 | 0.90 | 0.87 | 0.83 |

The *italicized* data is extrapolated beyond the TM-21 standard.

PERFORMANCE DATA with the following TRIM/FINIAL options: BD, SK & OR

| Performance Package | Distribution | Input Watts | 27K (2700K CCT, 70 CRI) | | | | | 30K (3000K CCT, 70 CRI) | | | | | 40K (4000K CCT, 70 CRI) | | | | | 50K (5000K CCT, 70 CRI) | | | | |
|---------------------|--------------|-------------|-------------------------|-----|---|---|---|-------------------------|-----|---|---|---|-------------------------|-----|---|---|---|-------------------------|-----|---|---|---|
| | | | Lumens | LPW | B | U | G | Lumens | LPW | B | U | G | Lumens | LPW | B | U | G | Lumens | LPW | B | U | G |
| P10 | GL3 | 22 | 2,786 | 127 | 1 | 4 | 3 | 3,162 | 144 | 1 | 4 | 3 | 3,221 | 146 | 1 | 4 | 3 | 3,279 | 149 | 1 | 4 | 3 |
| | GL5 | | 3,021 | 137 | 2 | 3 | 2 | 3,429 | 156 | 2 | 4 | 2 | 3,493 | 159 | 2 | 4 | 2 | 3,556 | 162 | 2 | 4 | 3 |
| | GL3LU | | 2,433 | 111 | 1 | 3 | 2 | 2,761 | 126 | 1 | 3 | 2 | 2,812 | 128 | 1 | 3 | 2 | 2,864 | 130 | 1 | 3 | 2 |
| | GL5LU | | 2,480 | 113 | 2 | 3 | 1 | 2,814 | 128 | 2 | 3 | 2 | 2,867 | 130 | 2 | 3 | 2 | 2,919 | 133 | 2 | 3 | 2 |
| P20 | GL3 | 36 | 4,626 | 129 | 1 | 4 | 3 | 5,250 | 146 | 1 | 5 | 3 | 5,348 | 149 | 2 | 5 | 3 | 5,445 | 151 | 2 | 5 | 3 |
| | GL5 | | 5,017 | 139 | 3 | 4 | 3 | 5,694 | 158 | 3 | 4 | 3 | 5,800 | 161 | 3 | 4 | 3 | 5,905 | 164 | 3 | 4 | 3 |
| | GL3LU | | 4,039 | 112 | 1 | 3 | 2 | 4,585 | 127 | 2 | 3 | 3 | 4,670 | 130 | 2 | 3 | 3 | 4,755 | 132 | 2 | 3 | 3 |
| | GL5LU | | 4,117 | 114 | 3 | 3 | 2 | 4,673 | 130 | 3 | 3 | 2 | 4,760 | 132 | 3 | 3 | 2 | 4,847 | 135 | 3 | 3 | 2 |
| P30 | GL3 | 56 | 7,003 | 125 | 2 | 5 | 4 | 7,949 | 142 | 2 | 5 | 4 | 8,097 | 145 | 2 | 5 | 4 | 8,244 | 147 | 2 | 5 | 4 |
| | GL5 | | 7,595 | 136 | 3 | 5 | 3 | 8,621 | 154 | 3 | 5 | 4 | 8,781 | 157 | 3 | 5 | 4 | 8,941 | 160 | 3 | 5 | 4 |
| | GL3LU | | 6,116 | 109 | 2 | 4 | 3 | 6,942 | 124 | 2 | 4 | 3 | 7,071 | 126 | 2 | 4 | 3 | 7,199 | 129 | 2 | 4 | 3 |
| | GL5LU | | 6,234 | 111 | 3 | 4 | 3 | 7,076 | 126 | 3 | 4 | 3 | 7,207 | 129 | 3 | 4 | 3 | 7,338 | 131 | 3 | 4 | 3 |
| P40 | GL3 | 77 | 9,654 | 125 | 2 | 5 | 5 | 10,958 | 142 | 3 | 5 | 5 | 11,161 | 145 | 3 | 5 | 5 | 11,364 | 148 | 3 | 5 | 5 |
| | GL5 | | 10,470 | 136 | 4 | 5 | 4 | 11,884 | 154 | 4 | 5 | 5 | 12,104 | 157 | 4 | 5 | 5 | 12,324 | 160 | 4 | 5 | 5 |
| | GL3LU | | 8,431 | 109 | 2 | 4 | 3 | 9,569 | 124 | 3 | 4 | 4 | 9,747 | 127 | 3 | 4 | 4 | 9,924 | 129 | 3 | 4 | 4 |
| | GL5LU | | 8,593 | 112 | 3 | 4 | 3 | 9,754 | 127 | 4 | 4 | 3 | 9,934 | 129 | 4 | 4 | 3 | 10,115 | 131 | 4 | 4 | 3 |
| P50 | GL3 | 95 | 11,540 | 121 | 3 | 5 | 5 | 13,099 | 138 | 3 | 5 | 5 | 13,342 | 140 | 3 | 5 | 5 | 13,585 | 143 | 3 | 5 | 5 |
| | GL5 | | 12,516 | 132 | 4 | 5 | 5 | 14,206 | 150 | 4 | 5 | 5 | 14,470 | 152 | 4 | 5 | 5 | 14,733 | 155 | 4 | 5 | 5 |
| | GL3LU | | 10,078 | 106 | 3 | 4 | 4 | 11,439 | 120 | 3 | 4 | 4 | 11,651 | 123 | 3 | 4 | 4 | 11,863 | 125 | 3 | 4 | 4 |
| | GL5LU | | 10,272 | 108 | 4 | 4 | 3 | 11,660 | 123 | 4 | 4 | 3 | 11,876 | 125 | 4 | 4 | 3 | 12,092 | 127 | 4 | 4 | 3 |
| P60 | GL3 | 118 | 14,019 | 119 | 3 | 5 | 5 | 15,913 | 135 | 3 | 5 | 5 | 16,207 | 137 | 3 | 5 | 5 | 16,502 | 140 | 3 | 5 | 5 |
| | GL5 | | 15,204 | 129 | 4 | 5 | 5 | 17,258 | 146 | 4 | 5 | 5 | 17,577 | 149 | 4 | 5 | 5 | 17,897 | 152 | 4 | 5 | 5 |
| | GL3LU | | 12,243 | 104 | 3 | 5 | 4 | 13,896 | 118 | 3 | 5 | 4 | 14,154 | 120 | 3 | 5 | 4 | 14,411 | 122 | 3 | 5 | 4 |
| | GL5LU | | 12,478 | 106 | 4 | 5 | 3 | 14,164 | 120 | 4 | 5 | 4 | 14,426 | 122 | 4 | 5 | 4 | 14,689 | 124 | 4 | 5 | 4 |
| P70 | GL3 | 146 | 16,518 | 113 | 3 | 5 | 5 | 18,749 | 128 | 3 | 5 | 5 | 19,097 | 131 | 3 | 5 | 5 | 19,444 | 133 | 3 | 5 | 5 |
| | GL5 | | 17,914 | 123 | 4 | 5 | 5 | 20,334 | 139 | 4 | 5 | 5 | 20,711 | 142 | 4 | 5 | 5 | 21,088 | 144 | 4 | 5 | 5 |
| | GL3LU | | 14,425 | 99 | 3 | 5 | 5 | 16,374 | 112 | 3 | 5 | 5 | 16,677 | 114 | 3 | 5 | 5 | 16,981 | 116 | 3 | 5 | 5 |
| | GL5LU | | 14,703 | 101 | 4 | 5 | 4 | 16,689 | 114 | 4 | 5 | 4 | 16,998 | 116 | 4 | 5 | 4 | 17,308 | 119 | 4 | 5 | 4 |

FPDXX DATA OPTIONS

| FPDxx Setting | Wattage |
|---------------|---------|
| Standard | 22 |
| FPD95 | 21 |
| FPD90 | 20 |

| P10 27K | | | |
|---------|-------|-------|-------|
| GL3 | GL5 | GL3LU | GL5LU |
| 2,786 | 3,021 | 2,433 | 2,480 |
| 2,655 | 2,879 | 2,319 | 2,363 |
| 2,523 | 2,736 | 2,204 | 2,246 |

| P10 30K | | | |
|---------|-------|-------|-------|
| GL3 | GL5 | GL3LU | GL5LU |
| 3,162 | 3,429 | 2,761 | 2,814 |
| 3,013 | 3,268 | 2,631 | 2,682 |
| 2,864 | 3,106 | 2,501 | 2,549 |

| P10 40K | | | |
|---------|-------|-------|-------|
| GL3 | GL5 | GL3LU | GL5LU |
| 3,221 | 3,493 | 2,812 | 2,867 |
| 3,069 | 3,329 | 2,680 | 2,732 |
| 2,918 | 3,164 | 2,547 | 2,597 |

| P10 50K | | | |
|---------|-------|-------|-------|
| GL3 | GL5 | GL3LU | GL5LU |
| 3,279 | 3,556 | 2,864 | 2,919 |
| 3,125 | 3,389 | 2,729 | 2,782 |
| 2,970 | 3,221 | 2,594 | 2,644 |

| FPDxx Setting | Wattage |
|---------------|---------|
| Standard | 36 |
| FPD95 | 33 |
| FPD90 | 32 |
| FPD85 | 29 |
| FPD80 | 28 |
| FPD75 | 26 |
| FPD70 | 24 |

| P20 27K | | | |
|---------|-------|-------|-------|
| GL3 | GL5 | GL3LU | GL5LU |
| 4,626 | 5,017 | 4,039 | 4,117 |
| 4,409 | 4,782 | 3,850 | 3,924 |
| 4,192 | 4,546 | 3,660 | 3,730 |
| 3,973 | 4,308 | 3,469 | 3,536 |
| 3,753 | 4,070 | 3,276 | 3,340 |
| 3,532 | 3,830 | 3,083 | 3,143 |
| 3,309 | 3,589 | 2,889 | 2,945 |

| P20 30K | | | |
|---------|-------|-------|-------|
| GL3 | GL5 | GL3LU | GL5LU |
| 5,250 | 5,694 | 4,585 | 4,673 |
| 5,004 | 5,427 | 4,370 | 4,454 |
| 4,757 | 5,159 | 4,154 | 4,234 |
| 4,509 | 4,890 | 3,937 | 4,013 |
| 4,259 | 4,619 | 3,719 | 3,791 |
| 4,008 | 4,347 | 3,500 | 3,567 |
| 3,756 | 4,073 | 3,280 | 3,343 |

| P20 40K | | | |
|---------|-------|-------|-------|
| GL3 | GL5 | GL3LU | GL5LU |
| 5,348 | 5,800 | 4,670 | 4,760 |
| 5,098 | 5,528 | 4,451 | 4,537 |
| 4,846 | 5,255 | 4,231 | 4,313 |
| 4,593 | 4,981 | 4,010 | 4,088 |
| 4,338 | 4,705 | 3,788 | 3,861 |
| 4,083 | 4,428 | 3,565 | 3,634 |
| 3,826 | 4,149 | 3,341 | 3,405 |

| P20 50K | | | |
|---------|-------|-------|-------|
| GL3 | GL5 | GL3LU | GL5LU |
| 5,445 | 5,905 | 4,755 | 4,847 |
| 5,190 | 5,628 | 4,532 | 4,620 |
| 4,934 | 5,350 | 4,308 | 4,392 |
| 4,676 | 5,071 | 4,083 | 4,162 |
| 4,417 | 4,790 | 3,857 | 3,932 |
| 4,157 | 4,508 | 3,630 | 3,700 |
| 3,895 | 4,224 | 3,402 | 3,467 |

| FPDxx Setting | Wattage |
|---------------|---------|
| Standard | 61 |
| FPD95 | 58 |
| FPD90 | 55 |
| FPD85 | 52 |
| FPD80 | 49 |
| FPD75 | 46 |
| FPD70 | 43 |

| P30 27K | | | |
|---------|-------|-------|-------|
| GL3 | GL5 | GL3LU | GL5LU |
| 7,003 | 7,595 | 6,116 | 6,234 |
| 6,951 | 7,539 | 6,071 | 6,188 |
| 6,616 | 7,175 | 5,778 | 5,889 |
| 6,277 | 6,808 | 5,482 | 5,588 |
| 5,935 | 6,437 | 5,184 | 5,284 |
| 5,591 | 6,064 | 4,883 | 4,977 |
| 5,243 | 5,687 | 4,579 | 4,668 |

| P30 30K | | | |
|---------|-------|-------|-------|
| GL3 | GL5 | GL3LU | GL5LU |
| 7,949 | 8,621 | 6,942 | 7,076 |
| 7,890 | 8,557 | 6,890 | 7,023 |
| 7,509 | 8,144 | 6,558 | 6,684 |
| 7,125 | 7,727 | 6,222 | 6,342 |
| 6,737 | 7,307 | 5,884 | 5,997 |
| 6,346 | 6,883 | 5,542 | 5,649 |
| 5,952 | 6,455 | 5,198 | 5,298 |

| P30 40K | | | |
|---------|-------|-------|-------|
| GL3 | GL5 | GL3LU | GL5LU |
| 8,097 | 8,781 | 7,071 | 7,207 |
| 8,037 | 8,716 | 7,018 | 7,153 |
| 7,649 | 8,295 | 6,680 | 6,808 |
| 7,258 | 7,871 | 6,338 | 6,460 |
| 6,863 | 7,442 | 5,993 | 6,108 |
| 6,464 | 7,010 | 5,645 | 5,754 |
| 6,063 | 6,575 | 5,294 | 5,396 |

| P30 50K | | | |
|---------|-------|-------|-------|
| GL3 | GL5 | GL3LU | GL5LU |
| 8,244 | 8,941 | 7,199 | 7,338 |
| 8,183 | 8,875 | 7,145 | 7,283 |
| 7,788 | 8,446 | 6,801 | 6,932 |
| 7,389 | 8,014 | 6,453 | 6,577 |
| 6,987 | 7,578 | 6,102 | 6,219 |
| 6,582 | 7,138 | 5,747 | 5,858 |
| 6,173 | 6,694 | 5,390 | 5,494 |

| FPDxx Setting | Wattage |
|---------------|---------|
| Standard | 77 |
| FPD95 | 74 |
| FPD90 | 71 |
| FPD85 | 67 |
| FPD80 | 63 |

| P40 27K | | | |
|---------|--------|-------|-------|
| GL3 | GL5 | GL3LU | GL5LU |
| 9,654 | 10,470 | 8,431 | 8,593 |
| 9,508 | 10,312 | 8,304 | 8,463 |
| 9,074 | 9,841 | 7,924 | 8,077 |
| 8,631 | 9,361 | 7,538 | 7,683 |
| 8,182 | 8,873 | 7,145 | 7,282 |

| P40 30K | | | |
|---------|--------|-------|-------|
| GL3 | GL5 | GL3LU | GL5LU |
| 10,958 | 11,884 | 9,569 | 9,754 |
| 10,793 | 11,705 | 9,425 | 9,607 |
| 10,299 | 11,170 | 8,994 | 9,168 |
| 9,797 | 10,625 | 8,555 | 8,721 |
| 9,287 | 10,071 | 8,110 | 8,266 |

| P40 40K | | | |
|---------|--------|-------|-------|
| GL3 | GL5 | GL3LU | GL5LU |
| 11,161 | 12,104 | 9,747 | 9,934 |
| 10,993 | 11,921 | 9,600 | 9,784 |
| 10,490 | 11,376 | 9,161 | 9,337 |
| 9,979 | 10,822 | 8,715 | 8,882 |
| 9,459 | 10,258 | 8,260 | 8,419 |

| P40 50K | | | |
|---------|--------|-------|--------|
| GL3 | GL5 | GL3LU | GL5LU |
| 11,364 | 12,324 | 9,924 | 10,115 |
| 11,193 | 12,138 | 9,774 | 9,962 |
| 10,681 | 11,583 | 9,328 | 9,507 |
| 10,160 | 11,019 | 8,873 | 9,044 |
| 9,631 | 10,444 | 8,410 | 8,572 |

| FPDxx Setting | Wattage |
|---------------|---------|
| Standard | 95 |
| FPD95 | 91 |
| FPD90 | 86 |
| FPD85 | 81 |

| P50 27K | | | |
|---------|--------|--------|--------|
| GL3 | GL5 | GL3LU | GL5LU |
| 11,540 | 12,516 | 10,078 | 10,272 |
| 11,517 | 12,491 | 10,058 | 10,251 |
| 11,002 | 11,933 | 9,608 | 9,793 |
| 10,477 | 11,363 | 9,149 | 9,326 |

| P50 30K | | | |
|---------|--------|--------|--------|
| GL3 | GL5 | GL3LU | GL5LU |
| 13,099 | 14,206 | 11,439 | 11,660 |
| 13,073 | 14,177 | 11,416 | 11,636 |
| 12,489 | 13,544 | 10,906 | 11,117 |
| 11,892 | 12,897 | 10,385 | 10,586 |

| P50 40K | | | |
|---------|--------|--------|--------|
| GL3 | GL5 | GL3LU | GL5LU |
| 13,342 | 14,470 | 11,651 | 11,876 |
| 13,315 | 14,441 | 11,627 | 11,852 |
| 12,720 | 13,796 | 11,108 | 11,323 |
| 12,113 | 13,137 | 10,578 | 10,782 |

| P50 50K | | | |
|---------|--------|--------|--------|
| GL3 | GL5 | GL3LU | GL5LU |
| 13,585 | 14,733 | 11,863 | 12,092 |
| 13,558 | 14,703 | 11,839 | 12,068 |
| 12,952 | 14,046 | 11,310 | 11,528 |
| 12,333 | 13,376 | 10,770 | 10,978 |

| FPDxx Setting | Wattage |
|---------------|---------|
| Standard | 118 |
| FPD95 | 112 |
| FPD90 | 106 |
| FPD85 | 100 |

| P60 27K | | | |
|---------|--------|--------|--------|
| GL3 | GL5 | GL3LU | GL5LU |
| 14,019 | 15,204 | 12,243 | 12,478 |
| 13,451 | 14,588 | 11,747 | 11,972 |
| 12,867 | 13,955 | 11,237 | 11,453 |
| 12,269 | 13,306 | 10,715 | 10,920 |

| P60 30K | | | |
|---------|--------|--------|--------|
| GL3 | GL5 | GL3LU | GL5LU |
| 15,913 | 17,258 | 13,896 | 14,164 |
| 15,268 | 16,558 | 13,333 | 13,590 |
| 14,606 | 15,840 | 12,754 | 13,000 |
| 13,926 | 15,104 | 12,161 | 12,396 |

| P60 40K | | | |
|---------|--------|--------|--------|
| GL3 | GL5 | GL3LU | GL5LU |
| 16,207 | 17,577 | 14,154 | 14,426 |
| 15,550 | 16,864 | 13,580 | 13,841 |
| 14,876 | 16,133 | 12,991 | 13,241 |
| 14,184 | 15,383 | 12,387 | 12,625 |

| P60 50K | | | |
|---------|--------|--------|--------|
| GL3 | GL5 | GL3LU | GL5LU |
| 16,502 | 17,897 | 14,411 | 14,689 |
| 15,833 | 17,171 | 13,827 | 14,093 |
| 15,146 | 16,427 | 13,227 | 13,482 |
| 14,442 | 15,663 | 12,612 | 12,855 |

| FPDxx Setting | Wattage |
|---------------|---------|
| Standard | 146 |
| FPD95 | 138 |
| FPD90 | 131 |
| FPD85 | 124 |
| FPD80 | 118 |

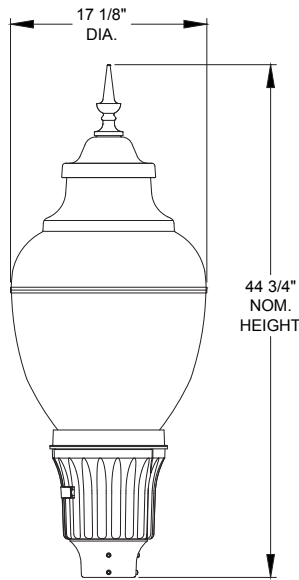
| P70 27K | | | |
|---------|--------|--------|--------|
| GL3 | GL5 | GL3LU | GL5LU |
| 16,518 | 17,914 | 14,425 | 14,703 |
| 15,906 | 17,250 | 13,891 | 14,158 |
| 15,269 | 16,560 | 13,335 | 13,592 |
| 14,607 | 15,842 | 12,757 | 13,002 |
| 13,921 | 15,097 | 12,157 | 12,391 |

| P70 30K | | | |
|---------|--------|--------|--------|
| GL3 | GL5 | GL3LU | GL5LU |
| 18,749 | 20,334 | 16,374 | 16,689 |
| 18,055 | 19,581 | 15,767 | 16,071 |
| 17,332 | 18,797 | 15,136 | 15,428 |
| 16,580 | 17,982 | 14,480 | 14,759 |
| 15,801 | 17,137 | 13,799 | 14,065 |

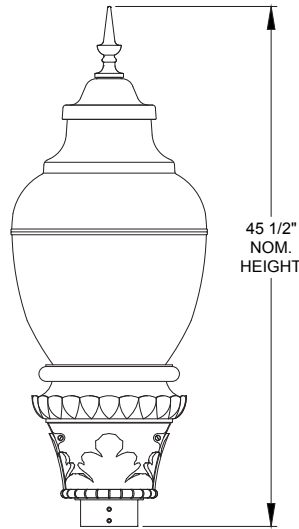
| P70 40K | | | |
|---------|--------|--------|--------|
| GL3 | GL5 | GL3LU | GL5LU |
| 19,097 | 20,711 | 16,677 | 16,998 |
| 18,390 | 19,944 | 16,059 | 16,368 |
| 17,654 | 19,146 | 15,416 | 15,713 |
| 16,888 | 18,316 | 14,748 | 15,032 |
| 16,094 | 17,455 | 14,055 | 14,325 |

| P70 50K | | | |
|---------|--------|--------|--------|
| GL3 | GL5 | GL3LU | GL5LU |
| 19,444 | 21,088 | 16,981 | 17,308 |
| 18,724 | 20,307 | 16,352 | 16,667 |
| 17,974 | 19,494 | 15,697 | 16,000 |
| 17,195 | 18,649 | 15,017 | 15,306 |
| 16,387 | 17,772 | 14,311 | 14,587 |

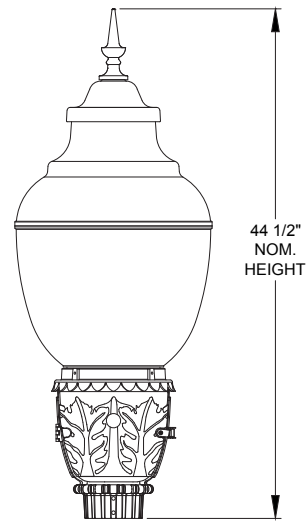
DIMENSIONS



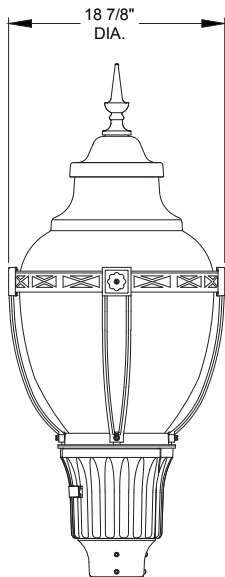
Modern Style,
Hinged Door
(MS)



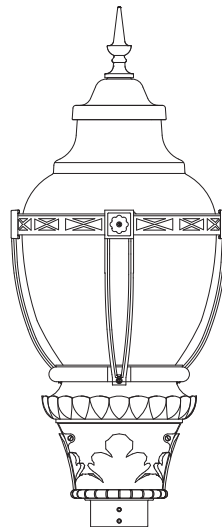
State Street
Style
(STS)



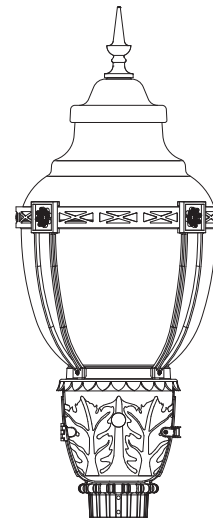
Enhanced Style,
Hinged Door
(EN)



Modern Style
with Ribs & Bands



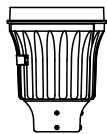
State Street
with Ribs & Bands



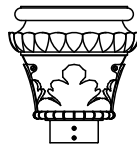
Enhanced Style
with Ribs & Bands

Mark Appropriate Box for Trim Option

Housing



Modern (MS)
Hinged Door

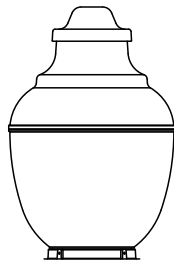


State Street (STS)

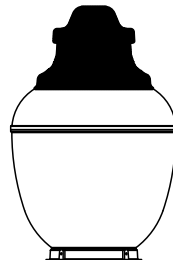


Enhanced (EN)
Hinged Door

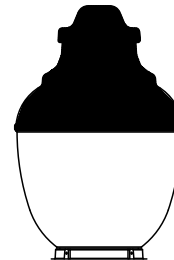
Cover



No Cover
Blank
(Finial Required)

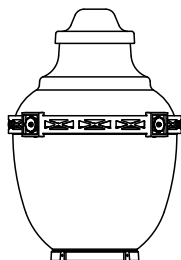


Shorewood Cover
SHC
(Finial Required)

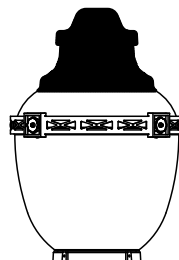


Full Cover
FC
(Finial Required)

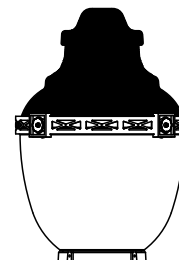
Medallions & Bands



Medallions and Band
BMx
(replace X with first letter
of Finial Option)

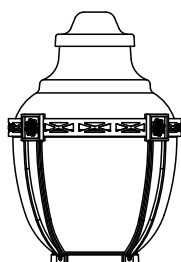


Medallions, Band,
and Shorewood Cover
BMx with SHC
(replace X with first letter
of Finial Option)

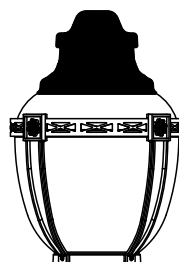


Medallions, Band,
and Full Cover
BMx with FC
(replace X with first letter
of Finial Option)

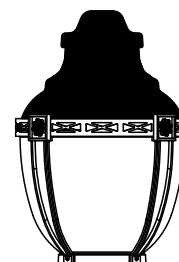
Ribs & Bands



Ribs and Band
xBR
(replace X with first letter
of Finial Option)



Ribs, Band,
and Shorewood Cover
xBR with SHC
(replace X with first letter
of Finial Option)



Ribs, Band,
and Full Cover
xBR with FC
(replace X with first letter
of Finial Option)

Finial



Bud
BD



Ornate
OR



Spike
SK

OPTIONAL COMPONENTS



AO
Manual field adjustable output dimming device



RSBOR6
Motion and photosensor (Black) communicates wirelessly to other nLight AIR devices



20KV
Safeguard your investment from extreme voltage spikes with our new Extreme 20kV/10kA SPD



NLTAIR2
Fixture embedded nLight AIR network interface provides individual fixture control and digital dimming capabilities



WEDGE1 LED

Architectural Wall Sconce



Catalog Number

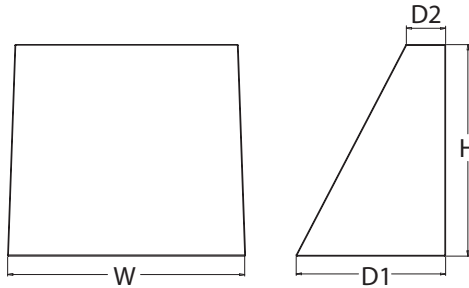
Notes

Type

Hit the Tab key or mouse over the page to see all interactive elements.

Specifications

- Depth (D1):** 5.5"
- Depth (D2):** 1.5"
- Height:** 8"
- Width:** 9"
- Weight:** 9 lbs
(without options)



Introduction

The WEDGE1 family is designed to meet specifier's every wall-mounted lighting need in a widely accepted shape that blends with any architecture. The clean rectilinear design comes in four sizes with lumen packages ranging from 1,200 to 25,000 lumens, providing true site-wide solution.

WEDGE1 delivers up to 2,000 lumens with a soft, non-pixelated light source, creating a visually comfortable environment. The compact size of WEDGE1, with its integrated emergency battery backup option, makes it an ideal over-the-door wall-mounted lighting solution.

WEDGE LED Family Overview

| Luminaire | Standard EM, 0°C | Cold EM, -20°C | Sensor | Lumens (4000K) | | | | | |
|------------|------------------|----------------|---------------------|----------------|--------|--------|--------|--------|--------|
| | | | | P1 | P2 | P3 | P4 | P5 | P6 |
| WEDGE1 LED | 4W | -- | -- | 1,200 | 2,000 | -- | -- | -- | -- |
| WEDGE2 LED | 10W | 18W | Standalone / nLight | 1,200 | 2,000 | 3,000 | 4,500 | 6,000 | -- |
| WEDGE3 LED | 15W | 18W | Standalone / nLight | 7,500 | 8,500 | 10,000 | 12,000 | -- | -- |
| WEDGE4 LED | -- | -- | Standalone / nLight | 12,000 | 16,000 | 18,000 | 20,000 | 22,000 | 25,000 |

Ordering Information

EXAMPLE: WEDGE1 LED P2 40K 80CRI VF MVOLT SRM PE DDBXD

| Series | Package | Color Temperature | CRI | Distribution | Voltage | Mounting |
|------------|----------|------------------------|-------|---------------------------------|---------------------------|---|
| WEDGE1 LED | P1 P2 | 27K 2700K | 80CRI | VF Visual comfort forward throw | MVOLT 347 ² | Shipped included SRM Surface mounting bracket ICW Indirect Canopy/Ceiling Washer bracket (dry/damp locations only) ⁵ Shipped separately AWS 3/8inch Architectural wall spacer PBBW Surface-mounted back box (top, left, right conduit entry) Use when there is no junction box available. |
| | | 30K 3000K | 90CRI | VW Visual comfort wide | | |
| | | 35K 3500K | | | | |
| | | 40K 4000K | | | | |
| | | 50K ¹ 5000K | | | | |

| Options | Finish |
|---|----------------------------------|
| E4WH ³ Emergency battery backup, Certified in CA Title 20 MAEDBS (4W, 0°C min) | DDBXD Dark bronze |
| PE ⁴ Photocell, Button Type | DBLXD Black |
| DS Dual switching (comes with 2 drivers and 2 light engines; see page 3 for details) | DNAXD Natural aluminum |
| DMG 0-10V dimming wires pulled outside fixture (for use with an external control, ordered separately) | DWHXD White |
| BCE Bottom conduit entry for back box (PBBW). Total of 4 entry points. | DSSXD Sandstone |
| BAA Buy America(n) Act Compliant | DDBTXD Textured dark bronze |
| | DBLBXD Textured black |
| | DNATXD Textured natural aluminum |
| | DWHGXD Textured white |
| | DSSTXD Textured sandstone |

Accessories

Ordered and shipped separately.

- WDGEAWS DDBXD WEDGE 3/8inch Architectural Wall Spacer (specify finish)
- WDGE1PBBW DDBXD U WEDGE1 surface-mounted back box (specify finish)

NOTES

- 1 50K not available in 90CRI.
- 2 347V not available with E4WH, DS or PE.
- 3 E4WH not available with PE or DS.
- 4 PE not available with DS.
- 5 Not qualified for DLC. Not available with E4WH.



COMMERCIAL OUTDOOR

One Lithonia Way • Conyers, Georgia 30012 • Phone: 1-800-705-SERV (7378) • www.lithonia.com
© 2019-2022 Acuity Brands Lighting, Inc. All rights reserved.

WEDGE1 LED
Rev. 03/01/22

Performance Data

Lumen Output

Lumen values are from photometric tests performed in accordance with IESNA LM-79-08. Data is considered to be representative of the configurations shown, within the tolerances allowed by Lighting Facts. Contact factory for performance data on any configurations not shown here.

| Performance Package | System Watts | Dist. Type | 27K (2700K, 80 CRI) | | | | | 30K (3000K, 80 CRI) | | | | | 35K (3500K, 80 CRI) | | | | | 40K (4000K, 80 CRI) | | | | | 50K (5000K, 80 CRI) | | | | |
|---------------------|--------------|------------|---------------------|-----|---|---|---|---------------------|-----|---|---|---|---------------------|-----|---|---|---|---------------------|-----|---|---|---|---------------------|-----|---|---|---|
| | | | Lumens | LPW | B | U | G | Lumens | LPW | B | U | G | Lumens | LPW | B | U | G | Lumens | LPW | B | U | G | Lumens | LPW | B | U | G |
| P1 | 10W | VF | 1,120 | 112 | 0 | 0 | 0 | 1,161 | 116 | 0 | 0 | 0 | 1,194 | 119 | 0 | 0 | 0 | 1,227 | 123 | 0 | 0 | 0 | 1,235 | 123 | 0 | 0 | 0 |
| | | VW | 1,122 | 112 | 0 | 0 | 0 | 1,163 | 116 | 0 | 0 | 0 | 1,196 | 120 | 0 | 0 | 0 | 1,229 | 123 | 0 | 0 | 0 | 1,237 | 124 | 0 | 0 | 0 |
| P2 | 15W | VF | 1,806 | 120 | 1 | 0 | 0 | 1,872 | 125 | 1 | 0 | 0 | 1,925 | 128 | 1 | 0 | 0 | 1,978 | 132 | 1 | 0 | 0 | 1,992 | 133 | 1 | 0 | 0 |
| | | VW | 1,809 | 120 | 1 | 0 | 0 | 1,876 | 125 | 1 | 0 | 0 | 1,929 | 128 | 1 | 0 | 0 | 1,982 | 132 | 1 | 0 | 0 | 1,996 | 133 | 1 | 0 | 0 |

Electrical Load

| Performance Package | System Watts | Current (A) | | | | |
|---------------------|--------------|-------------|-------|-------|-------|-------|
| | | 120V | 208V | 240V | 277V | 347V |
| P1 | 10W | 0.082 | 0.049 | 0.043 | 0.038 | -- |
| | 13W | -- | -- | -- | -- | 0.046 |
| P2 | 15W | 0.132 | 0.081 | 0.072 | 0.064 | -- |
| | 18W | -- | -- | -- | -- | 0.056 |

Lumen Multiplier for 90CRI

| CCT | Multiplier |
|-----|------------|
| 27K | 0.845 |
| 30K | 0.867 |
| 35K | 0.845 |
| 40K | 0.885 |
| 50K | 0.898 |

Lumen Output in Emergency Mode (4000K, 80 CRI)

| Option | Dist. Type | Lumens |
|--------|------------|--------|
| E4WH | VF | 646 |
| | VW | 647 |

Lumen Ambient Temperature (LAT) Multipliers

Use these factors to determine relative lumen output for average ambient temperatures from 0-40°C (32-104°F).

| Ambient | Lumen Multiplier |
|--------------|------------------|
| 0°C / 32°F | 1.03 |
| 10°C / 50°F | 1.02 |
| 20°C / 68°F | 1.01 |
| 25°C / 77°F | 1.00 |
| 30°C / 86°F | 0.99 |
| 40°C / 104°F | 0.98 |

Projected LED Lumen Maintenance

Data references the extrapolated performance projections for the platforms noted in a 25°C ambient, based on 10,000 hours of LED testing (tested per IESNA LM-80-08 and projected per IESNA TM-21-11).

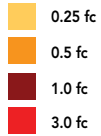
To calculate LLF, use the lumen maintenance factor that corresponds to the desired number of operating hours below. For other lumen maintenance values, contact factory.

| Operating Hours | 0 | 25,000 | 50,000 | 100,000 |
|--------------------------|-----|--------|--------|---------|
| Lumen Maintenance Factor | 1.0 | >0.96 | >0.95 | >0.91 |

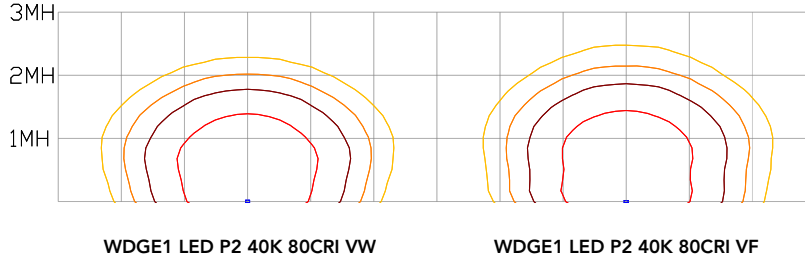
Photometric Diagrams

To see complete photometric reports or download .ies files for this product, visit the Lithonia Lighting WDGE LED homepage. Tested in accordance with IESNA LM-79 and LM-80 standards.

LEGEND



MH = 8ft
Grid = 8ft x 8ft



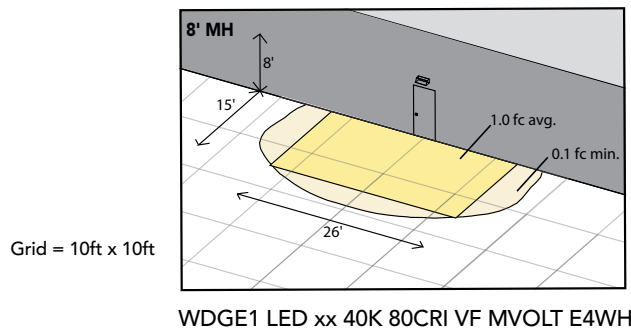
Emergency Egress Options

Emergency Battery Backup

The emergency battery backup is integral to the luminaire — no external housing required! This design provides reliable emergency operation while maintaining the aesthetics of the product. All emergency battery backup configurations include an independent secondary driver with an integral relay to immediately detect loss of normal power and automatically energize the luminaire. The emergency battery will power the luminaire for a minimum duration of 90 minutes (maximum duration of three hours) from the time normal power is lost and maintain a minimum of 60% of the light output at the end of 90 minutes.

Applicable codes: NFPA 70/NEC – section 700.16, NFPA 101 Life Safety Code Section 7.9

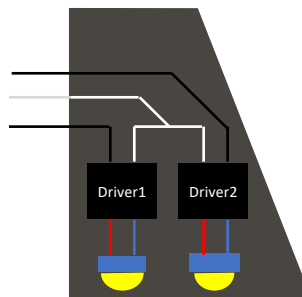
The example below shows illuminance of 1 fc average and 0.1 fc minimum in emergency mode with E4WH and VF distribution.



Dual Switching (DS) Option

The dual switching option offers operational redundancy that certain codes require. With this option the luminaire comes integrated with two drivers and two light engines. These work completely independent to each other so that a failure of any individual component does not cause the whole luminaire to go dark. This option is typically used with a back generator or inverter providing emergency power.

Applicable codes: NFPA 70/NEC – section 700.16, NFPA 101 Life Safety Code Section 7.9





E4WH – 4W Emergency Battery Backup

D = 5.5"

H = 8"

W = 9"



PBBW – Surface-Mounted Back Box
Use when there is no junction box available.

D = 1.75"

H = 8"

W = 9"



AWS – 3/8inch Architectural Wall Spacer

D = 0.38"

H = 4.4"

W = 7.5"

FEATURES & SPECIFICATIONS

INTENDED USE

Common architectural look, with clean rectilinear shape, of the WDGE LED was designed to blend with any type of construction, whether it be tilt-up, frame or brick. Applications include commercial offices, warehouses, hospitals, schools, malls, restaurants, and other commercial buildings.

CONSTRUCTION

The single-piece die-cast aluminum housing integrates secondary heat sinks to optimize thermal transfer from the internal light engine heat sinks and promote long life. The driver is mounted in direct contact with the casting for a low operating temperature and long life. The die-cast door frame is fully gasketed with a one-piece solid silicone gasket to keep out moisture and dust, providing an IP66 rating for the luminaire.

FINISH

Exterior painted parts are protected by a zinc-infused Super Durable TGIC thermoset powder coat finish that provides superior resistance to corrosion and weathering. A tightly controlled multi-stage process ensures a 3 mils thickness for a finish that can withstand extreme climate changes without cracking or peeling. Standard Super Durable colors include dark bronze, black, natural aluminum, sandstone and white. Available in textured and non-textured finishes.

OPTICS

Well crafted reflector optics allow the light engine to be recessed within the luminaire, providing visual comfort, superior distribution, uniformity, and spacing in wall-mount applications. The WDGE LED has zero uplight and qualifies as a Nighttime Friendly™ product, meaning it is consistent with the LEED® and Green Globes™ criteria for eliminating wasteful uplight.

ELECTRICAL

Light engine consists of high-efficacy LEDs mounted to metal-core circuit boards to maximize heat dissipation and promote long life (up to L91/100,000 hours at 25°C). The electronic driver has a power factor of >90%, THD <20%. Luminaire comes with built in 6kV surge protection, which meets a minimum Category C low exposure (per ANSI/IEEE C62.41.2). Fixture ships standard with 0-10v dimmable driver.

INSTALLATION

A universal mounting plate with integral mounting support arms allows the fixture to hinge down for easy access while making wiring connections. The 3/8" Architectural Wall Spacer (AWS) can be used to create a floating appearance or to accommodate small imperfections in the wall surface. The ICW option can be used to mount the luminaire inverted for indirect lighting in dry and damp locations. Design can withstand up to a 1.5 G vibration load rating per ANSI C136.31.

LISTINGS

CSA certified to U.S. and Canadian standards. Luminaire is IP66 rated. PIR options are rated for wet location. Rated for -40°C minimum ambient. DesignLights Consortium® (DLC) Premium qualified product and DLC qualified product. Not all versions of this product may be DLC Premium qualified or DLC qualified. Please check the DLC Qualified Products List at www.designlights.org/QPL to confirm which versions are qualified. International Dark-Sky Association (IDA) Fixture Seal of Approval (FSA) is available for all products on this page utilizing 2700K and 3000K color temperature only and SRM mounting only.

BUY AMERICAN

Product with the BAA option is assembled in the USA and meets the Buy America(n) government procurement requirements under FAR, DFARS and DOT. Please refer to www.acuitybrands.com/buy-american for additional information.

WARRANTY

5-year limited warranty. This is the only warranty provided and no other statements in this specification sheet create any warranty of any kind. All other express and implied warranties are disclaimed. Complete warranty terms located at: www.acuitybrands.com/support/warranty/terms-and-conditions

Note: Actual performance may differ as a result of end-user environment and application. All values are design or typical values, measured under laboratory conditions at 25 °C. Specifications subject to change without notice.



WEDGE2 LED

Architectural Wall Sconce

Visual Comfort Optic



Catalog Number

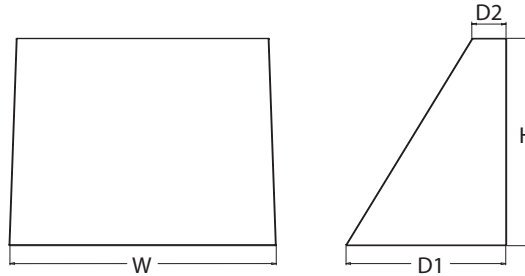
Notes

Type

Hit the Tab key or mouse over the page to see all interactive elements.

Specifications

- Depth (D1):** 7"
- Depth (D2):** 1.5"
- Height:** 9"
- Width:** 11.5"
- Weight:** 13.5 lbs
(without options)



Introduction

The WEDGE2 LED family is designed to meet specifier's every wall-mounted lighting need in a widely accepted shape that blends with any architecture. The clean rectilinear design comes in four sizes with lumen packages ranging from 1,200 to 25,000 lumens, providing a true site-wide solution. Embedded with nLight® AIR wireless controls, the WEDGE family provides additional energy savings and code compliance.

WEDGE2 delivers up to 6,000 lumens with a soft, non-pixelated light source, creating a visually comfortable environment. When combined with multiple integrated emergency battery backup options, including an 18W cold temperature option, the WEDGE2 becomes the ideal wall-mounted lighting solution for pedestrian scale applications in any environment.

WEDGE LED Family Overview

| Luminaire | Optics | Standard EM, 0°C | Cold EM, -20°C | Sensor | Approximate Lumens (4000K, 80CRI) | | | | | | |
|------------|----------------------|------------------|----------------|---------------------|-----------------------------------|--------|--------|--------|--------|--------|--------|
| | | | | | P0 | P1 | P2 | P3 | P4 | P5 | P6 |
| WEDGE1 LED | Visual Comfort | 4W | | -- | 750 | 1,200 | 2,000 | -- | -- | -- | -- |
| WEDGE2 LED | Visual Comfort | 10W | 18W | Standalone / nLight | -- | 1,200 | 2,000 | 3,000 | 4,500 | 6,000 | -- |
| WEDGE2 LED | Precision Refractive | 10W | 18W | Standalone / nLight | 700 | 1,200 | 2,000 | 3,200 | 4,200 | -- | -- |
| WEDGE3 LED | Precision Refractive | 15W | 18W | Standalone / nLight | -- | 7,500 | 8,500 | 10,000 | 12,000 | -- | -- |
| WEDGE4 LED | Precision Refractive | | | Standalone / nLight | -- | 12,000 | 16,000 | 18,000 | 20,000 | 22,000 | 25,000 |

Ordering Information

EXAMPLE: WEDGE2 LED P3 40K 80CRI VF MVOLT SRM DDBXD

| Series | Package | Color Temperature | CRI | Distribution | Voltage | Mounting | |
|------------|-----------------|--|-----------|---------------------------------|------------------------|--|--|
| WEDGE2 LED | P1 ¹ | P1SW | 27K 2700K | VF Visual comfort forward throw | MVOLT | Shipped included SRM Surface mounting bracket ICW Indirect Canopy/Ceiling Washer bracket (dry/damp locations only) ⁷ | |
| | P2 ¹ | P2SW | 30K 3000K | | | | Shipped separately AWS 3/8inch Architectural wall spacer PBBW Surface-mounted back box (top, left, right conduit entry). Use when there is no junction box available. |
| | P3 ¹ | P3SW | 35K 3500K | VW Visual comfort wide | | | |
| | P4 ¹ | Door with small window (SW) is required to accommodate sensors. See page 2 for more details. | | | 40K 4000K | | |
| | P5 ¹ | | | | 50K ² 5000K | | |

| Options | Finish |
|---|--|
| E4WH Emergency battery backup, Certified in CA Title 20 MAEDBS (4W, 0°C min) E10WH Emergency battery backup, Certified in CA Title 20 MAEDBS (10W, 5°C min) E20WC Emergency battery backup, Certified in CA Title 20 MAEDBS (18W, -20°C min) PE⁴ Photocell, Button Type DS⁵ Dual switching (comes with 2 drivers and 2 light engines; see page 3 for details) DMG⁶ 0-10V dimming wires pulled outside fixture (for use with an external control, ordered separately) BCE Bottom conduit entry for back box (PBBW). Total of 4 entry points. BAA Buy America(n) Act Compliant | DDBXD Dark bronze DBLXD Black DNAXD Natural aluminum DWHXD White DSSXD Sandstone DDBTXD Textured dark bronze DBLBXD Textured black DNATXD Textured natural aluminum DWHGXD Textured white DSSTXD Textured sandstone |
| Standalone Sensors/Controls (only available with P1SW, P2SW & P3SW) PIR Bi-level (100/35%) motion sensor for 8-15' mounting heights. Intended for use on switched circuits with external dusk to dawn switching. PIRH Bi-level (100/35%) motion sensor for 15-30' mounting heights. Intended for use on switched circuits with external dusk to dawn switching PIR1FC3V Bi-level (100/35%) motion sensor for 8-15' mounting heights with photocell pre-programmed for dusk to dawn operation. PIRH1FC3V Bi-level (100/35%) motion sensor for 15-30' mounting heights with photocell pre-programmed for dusk to dawn operation. Networked Sensors/Controls (only available with P1SW, P2SW & P3SW) NLTAIR2 PIR nLightAIR Wireless enabled bi-level motion/ambient sensor for 8-15' mounting heights. NLTAIR2 PIRH nLightAIR Wireless enabled bi-level motion/ambient sensor for 15-30' mounting heights. See page 4 for out of box functionality | |



COMMERCIAL OUTDOOR

One Lithonia Way • Conyers, Georgia 30012 • Phone: 1-800-705-SERV (7378) • www.lithonia.com
 © 2019-2022 Acuity Brands Lighting, Inc. All rights reserved.

WEDGE2 LED
 Rev. 03/01/22

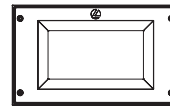
Accessories

Ordered and shipped separately.

| | |
|-------------------|---|
| WDGEAWS DDBXD | WDGE 3/8inch Architectural Wall Spacer (specify finish) |
| WDGE2P8BW DDBXD U | WDGE2 surface-mounted back box (specify finish) |

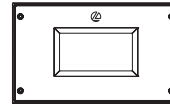
NOTES

- P1-P5 not available with sensors/controls. Sensors/controls only available with P1SW, P2SW and P3SW.
- 50K not available in 90CRI
- 347V and 480V not available with E4WH, E10WH, E20WC or DS.
- PE not available in 480V or with sensors/controls
- DS option not available with E4WH, E10WH, E20WC or sensors/controls.
- DMG option not available with sensors/controls
- Not qualified for DLC. Not available with emergency battery backup or sensors/controls



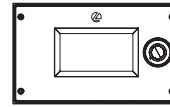
Default configuration with no sensors/controls.

Power Packages: P1, P2, P3, P4, P5



Small Window (SW) configuration

Power Packages: P1SW, P2SW, P3SW



Configuration with sensors/controls

Power Packages: P1SW, P2SW, P3SW

Performance Data

Lumen Output

Lumen values are from photometric tests performed in accordance with IESNA LM-79-08. Data is considered to be representative of the configurations shown, within the tolerances allowed by Lighting Facts. Contact factory for performance data on any configurations not shown here.

| Performance Package | System Watts | Dist. Type | 27K (2700K, 80 CRI) | | | | | 30K (3000K, 80 CRI) | | | | | 35K (3500K, 80 CRI) | | | | | 40K (4000K, 80 CRI) | | | | | 50K (5000K, 80 CRI) | | | | |
|---------------------|--------------|------------|---------------------|-----|---|---|---|---------------------|-----|---|---|---|---------------------|-----|---|---|---|---------------------|-----|---|---|---|---------------------|-----|---|---|---|
| | | | Lumens | LPW | B | U | G | Lumens | LPW | B | U | G | Lumens | LPW | B | U | G | Lumens | LPW | B | U | G | Lumens | LPW | B | U | G |
| P1 / P1SW | 10W | VF | 1,166 | 119 | 0 | 0 | 0 | 1,209 | 123 | 0 | 0 | 0 | 1,251 | 128 | 0 | 0 | 0 | 1,256 | 128 | 0 | 0 | 0 | 1,254 | 128 | 0 | 0 | 0 |
| | | VW | 1,197 | 122 | 0 | 0 | 0 | 1,241 | 126 | 0 | 0 | 0 | 1,284 | 131 | 0 | 0 | 0 | 1,289 | 131 | 0 | 0 | 0 | 1,286 | 131 | 0 | 0 | 0 |
| P2 / P2SW | 15W | VF | 1,878 | 129 | 1 | 0 | 0 | 1,947 | 134 | 1 | 0 | 0 | 2,015 | 139 | 1 | 0 | 0 | 2,023 | 139 | 1 | 0 | 0 | 2,019 | 139 | 1 | 0 | 0 |
| | | VW | 1,927 | 133 | 1 | 0 | 0 | 1,997 | 137 | 1 | 0 | 0 | 2,067 | 142 | 1 | 0 | 0 | 2,075 | 143 | 1 | 0 | 0 | 2,071 | 143 | 1 | 0 | 0 |
| P3 / P3SW | 23W | VF | 2,908 | 129 | 1 | 0 | 0 | 3,015 | 134 | 1 | 0 | 0 | 3,119 | 138 | 1 | 0 | 0 | 3,132 | 139 | 1 | 0 | 0 | 3,126 | 139 | 1 | 0 | 0 |
| | | VW | 2,983 | 132 | 1 | 0 | 0 | 3,093 | 137 | 1 | 0 | 0 | 3,200 | 142 | 1 | 0 | 0 | 3,213 | 143 | 1 | 0 | 0 | 3,206 | 142 | 1 | 0 | 0 |
| P4 | 35W | VF | 4,096 | 117 | 1 | 0 | 1 | 4,247 | 121 | 1 | 0 | 1 | 4,394 | 126 | 1 | 0 | 1 | 4,412 | 126 | 1 | 0 | 1 | 4,403 | 126 | 1 | 0 | 1 |
| | | VW | 4,202 | 120 | 1 | 0 | 0 | 4,357 | 125 | 1 | 0 | 1 | 4,508 | 129 | 1 | 0 | 1 | 4,526 | 129 | 1 | 0 | 1 | 4,517 | 129 | 1 | 0 | 1 |
| P5 | 48W | VF | 5,567 | 115 | 1 | 0 | 1 | 5,772 | 119 | 1 | 0 | 1 | 5,972 | 123 | 1 | 0 | 1 | 5,996 | 124 | 1 | 0 | 1 | 5,984 | 124 | 1 | 0 | 1 |
| | | VW | 5,711 | 118 | 1 | 0 | 1 | 5,921 | 122 | 1 | 0 | 1 | 6,127 | 126 | 1 | 0 | 1 | 6,151 | 127 | 1 | 0 | 1 | 6,139 | 127 | 1 | 0 | 1 |

Electrical Load

| Performance Package | System Watts | Current (A) | | | | | |
|---------------------|--------------|-------------|-------|-------|-------|-------|-------|
| | | 120V | 208V | 240V | 277V | 347V | 480V |
| P1 / P1SW | 10W | 0.082 | 0.049 | 0.043 | 0.038 | -- | -- |
| | 13W | -- | -- | -- | -- | 0.046 | 0.033 |
| P2 / P2SW | 15W | 0.132 | 0.081 | 0.072 | 0.064 | -- | -- |
| | 18W | -- | -- | -- | -- | 0.056 | 0.041 |
| P3 / P3SW | 23W | 0.195 | 0.114 | 0.100 | 0.088 | -- | -- |
| | 26W | -- | -- | -- | -- | 0.079 | 0.058 |
| P4 | 35W | 0.302 | 0.175 | 0.152 | 0.134 | -- | -- |
| | 38W | -- | -- | -- | -- | 0.115 | 0.086 |
| P5 | 48W | 0.434 | 0.241 | 0.211 | 0.184 | -- | -- |
| | 52W | -- | -- | -- | -- | 0.157 | 0.119 |

Lumen Multiplier for 90CRI

| CCT | Multiplier |
|-----|------------|
| 27K | 0.845 |
| 30K | 0.867 |
| 35K | 0.845 |
| 40K | 0.885 |
| 50K | 0.898 |

Lumen Output in Emergency Mode (4000K, 80 CRI)

| Option | Dist. Type | Lumens |
|--------|------------|--------|
| E4WH | VF | 646 |
| | VW | 647 |
| E10WH | VF | 1,658 |
| | VW | 1,701 |
| E20WC | VF | 2,840 |
| | VW | 2,913 |

Lumen Ambient Temperature (LAT) Multipliers

Use these factors to determine relative lumen output for average ambient temperatures from 0-40°C (32-104°F).

| Ambient | Lumen Multiplier | |
|---------|------------------|------|
| 0°C | 32°F | 1.03 |
| 10°C | 50°F | 1.02 |
| 20°C | 68°F | 1.01 |
| 25°C | 77°F | 1.00 |
| 30°C | 86°F | 0.99 |
| 40°C | 104°F | 0.98 |

Projected LED Lumen Maintenance

Data references the extrapolated performance projections for the platforms noted in a 25°C ambient, based on 10,000 hours of LED testing (tested per IESNA LM-80-08 and projected per IESNA TM-21-11).

To calculate LLF, use the lumen maintenance factor that corresponds to the desired number of operating hours below. For other lumen maintenance values, contact factory.

| Operating Hours | 0 | 25,000 | 50,000 | 100,000 |
|--------------------------|-----|--------|--------|---------|
| Lumen Maintenance Factor | 1.0 | >0.96 | >0.95 | >0.91 |



COMMERCIAL OUTDOOR

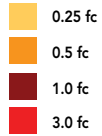
One Lithonia Way • Conyers, Georgia 30012 • Phone: 1-800-705-SERV (7378) • www.lithonia.com
© 2019-2022 Acuity Brands Lighting, Inc. All rights reserved.

WDGE2 LED
Rev. 03/01/22

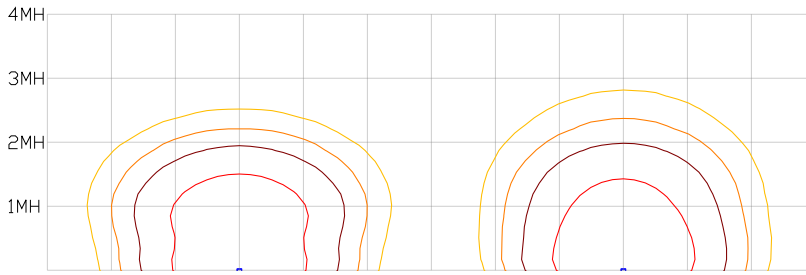
Photometric Diagrams

To see complete photometric reports or download .ies files for this product, visit the Lithonia Lighting WDGE LED homepage. Tested in accordance with IESNA LM-79 and LM-80 standards.

LEGEND



MH = 10ft
Grid = 10ft x 10ft



WDGE2 LED P3 40K 80CRI VW

WDGE2 LED P3 40K 80CRI VF

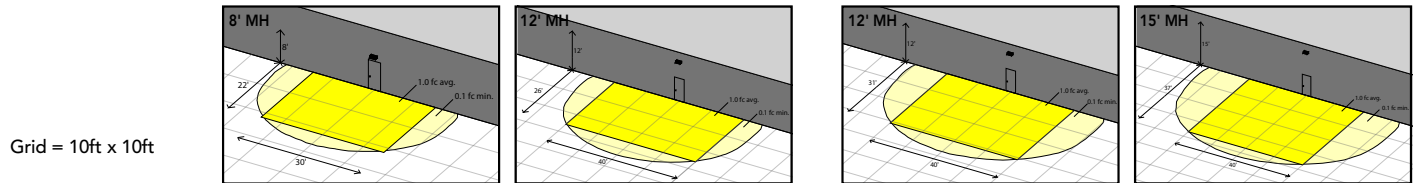
Emergency Egress Options

Emergency Battery Backup

The emergency battery backup is integral to the luminaire — no external housing required! This design provides reliable emergency operation while maintaining the aesthetics of the product. All emergency battery backup configurations include an independent secondary driver with an integral relay to immediately detect loss of normal power and automatically energize the luminaire. The emergency battery will power the luminaire for a minimum duration of 90 minutes (maximum duration of three hours) from the time normal power is lost and maintain a minimum of 60% of the light output at the end of 90 minutes.

Applicable codes: NFPA 70/NEC – section 700.16, NFPA 101 Life Safety Code Section 7.9

The examples below show illuminance of 1 fc average and 0.1 fc minimum in emergency mode with E10WH or E20WC and VF distribution.



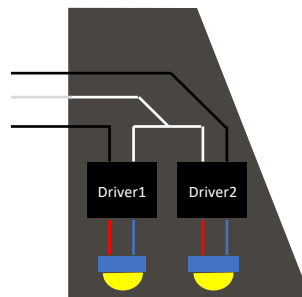
WDGE2 LED xx 40K 80CRI VF MVOLT E10WH

WDGE2 LED xx 40K 80CRI VF MVOLT E20WC

Dual Switching (DS) Option

The dual switching option offers operational redundancy that certain codes require. With this option the luminaire comes integrated with two drivers and two light engines. These work completely independent to each other so that a failure of any individual component does not cause the whole luminaire to go dark. This option is typically used with a back generator or inverter providing emergency power.

Applicable codes: NFPA 70/NEC – section 700.16, NFPA 101 Life Safety Code Section 7.9



Motion/Ambient Sensor (PIR_, PIRH_)

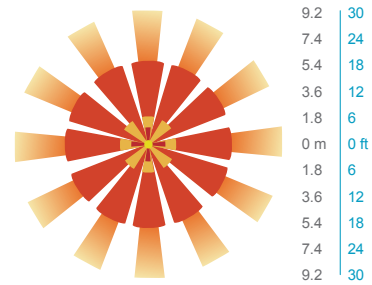
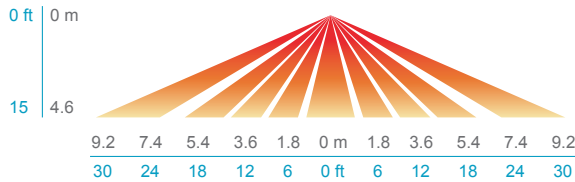
Motion/Ambient sensor (Sensor Switch MSOD) is integrated into the the luminaire. The sensor provides both Motion and Daylight based dimming of the luminaire. For motion detection, the sensor utilizes 100% Digital Passive Infrared (PIR) technology that is tuned for walking size motion while preventing false tripping from the environment. The integrated photocell enables additional energy savings during daytime periods when there is sufficient daylight. Optimize sensor coverage by either selecting PIR or PIRH option. PIR option comes with a sensor lens that is optimized to provide maximum coverage for mounting heights between 8-15ft, while PIRH is optimized for 15-40ft mounting height.

Networked Control (NLTAIR2)

nLight® AIR is a wireless lighting controls platform that allows for seamless integration of both indoor and outdoor luminaires. Five-tier security architecture, 900 MHz wireless communication and app (CLAIRITY™ Pro) based configurability combined together make nLight® AIR a secure, reliable and easy to use platform.

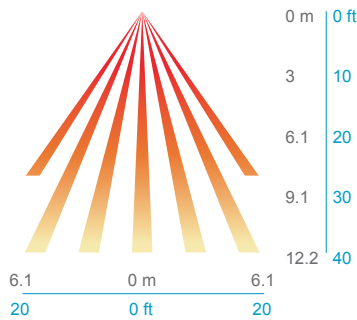
PIR

HIGH VIEW

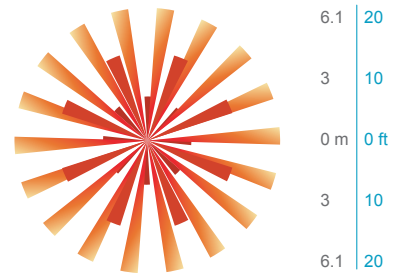


PIRH

SIDE VIEW



TOP VIEW



| Option | Dim Level | High Level (when triggered) | Photocell Operation | Motion Time Delay | Ramp-down Time | Ramp-up Time |
|--|---|-----------------------------|---------------------|-------------------|----------------|--------------------------------------|
| PIR or PIRH | Motion - 3V (37% of full output) Photocell - 0V (turned off) | 10V (100% output) | Enabled @ 5fc | 5 min | 5 min | Motion - 3 sec Photocell - 45 sec |
| PIR1FC3V, PIRH1FC3V | Motion - 3V (37% of full output) Photocell - 0V (turned off) | 10V (100% output) | Enabled @ 1fc | 5 min | 5 min | Motion - 3 sec Photocell - 45 sec |
| NLTAIR2 PIR, NLTAIR2 PIRH (out of box) | Motion - 3V (37% of full output) Photocell - 0V (turned off) | 10V (100% output) | Enabled @ 5fc | 7.5 min | 5 min | Motion - 3 sec Photocell - 45 sec |



**NLTAIR2 PIR – nLight AIR
Motion/Ambient Sensor**

D = 7"
H = 11"
W = 11.5"



**PBBW – Surface-Mounted Back Box
Use when there is no junction box available.**

D = 1.75"
H = 9"
W = 11.5"



AWS – 3/8inch Architectural Wall Spacer

D = 0.38"
H = 4.4"
W = 7.5"

FEATURES & SPECIFICATIONS

INTENDED USE

Common architectural look, with clean rectilinear shape, of the WDGE LED was designed to blend with any type of construction, whether it be tilt-up, frame or brick. Applications include commercial offices, warehouses, hospitals, schools, malls, restaurants, and other commercial buildings.

CONSTRUCTION

The single-piece die-cast aluminum housing integrates secondary heat sinks to optimize thermal transfer from the internal light engine heat sinks and promote long life. The driver is mounted in direct contact with the casting for a low operating temperature and long life. The die-cast door frame is fully gasketed with a one-piece solid silicone gasket to keep out moisture and dust, providing an IP66 rating for the luminaire.

FINISH

Exterior painted parts are protected by a zinc-infused Super Durable TGIC thermoset powder coat finish that provides superior resistance to corrosion and weathering. A tightly controlled multi-stage process ensures a 3 mils thickness for a finish that can withstand extreme climate changes without cracking or peeling. Standard Super Durable colors include dark bronze, black, natural aluminum, sandstone and white. Available in textured and non-textured finishes.

OPTICS

Well crafted reflector optics allow the light engine to be recessed within the luminaire, providing visual comfort, superior distribution, uniformity, and spacing in wall-mount applications. The WDGE LED has zero uplight and qualifies as a Nighttime Friendly™ product, meaning it is consistent with the LEED® and Green Globes™ criteria for eliminating wasteful uplight.

ELECTRICAL

Light engine consists of high-efficiency LEDs mounted to metal-core circuit boards to maximize heat dissipation and promote long life (up to L91/100,000 hours at 25°C). The electronic driver has a power factor of >90%, THD <20%. Luminaire comes with built in 6kV surge protection, which meets a minimum Category C low exposure (per ANSI/IEEE C62.41.2). Fixture ships standard with 0-10v dimmable driver.

INSTALLATION

A universal mounting plate with integral mounting support arms allows the fixture to hinge down for easy access while making wiring connections. The 3/8" Architectural Wall Spacer (AWS) can be used to create a floating appearance or to accommodate small imperfections in the wall surface. The ICW option can be used to mount the luminaire inverted for indirect lighting in dry and damp locations. Design can withstand up to a 1.5 G vibration load rating per ANSI C136.31.

LISTINGS

CSA certified to U.S. and Canadian standards. Luminaire is IP66 rated. PIR options are rated for wet location. Rated for -40°C minimum ambient. DesignLights Consortium® (DLC) Premium qualified product and DLC qualified product. Not all versions of this product may be DLC Premium qualified or DLC qualified. Please check the DLC Qualified Products List at www.designlights.org/QPL to confirm which versions are qualified. International Dark-Sky Association (IDA) Fixture Seal of Approval (FSA) is available for all products on this page utilizing 2700K and 3000K color temperature only and SRM mounting only.

BUY AMERICAN

Product with the BAA option is assembled in the USA and meets the Buy America(n) government procurement requirements under FAR, DFARS and DOT. Please refer to www.acuitybrands.com/buy-american for additional information.

WARRANTY

5-year limited warranty. This is the only warranty provided and no other statements in this specification sheet create any warranty of any kind. All other express and implied warranties are disclaimed. Complete warranty terms located at: www.acuitybrands.com/support/warranty/terms-and-conditions

Note: Actual performance may differ as a result of end-user environment and application. All values are design or typical values, measured under laboratory conditions at 25 °C. Specifications subject to change without notice.



KAD LED LED Area Luminaire

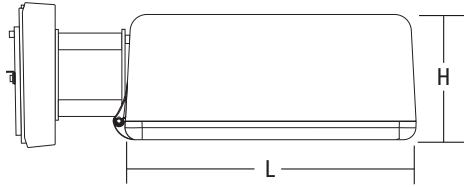


| |
|----------------|
| Catalog Number |
| Notes |
| Type |

Hit the Tab key or mouse over the page to see all interactive elements.

Specifications

| | |
|----------------------|---|
| EPA: | 1.2 ft ² (0.11 m ²) |
| Length: | 17-1/2" (44.5 cm) |
| Width: | 17-1/2" (44.5 cm) |
| Height: | 7-1/8" (18.1 cm) |
| Weight (max): | 36 lbs. (16.4 kg) |



A+ Capable Luminaire

This item is an A+ capable luminaire, which has been designed and tested to provide consistent color appearance and system-level interoperability.

- All configurations of this luminaire meet the Acuity Brands' specification for chromatic consistency
- This luminaire is A+ Certified when ordered with DTL® controls marked by a **shaded background**. DTL DLL equipped luminaires meet the A+ specification for luminaire to photocontrol interoperability¹
- This luminaire is part of an A+ Certified solution for ROAM®2 or XPoint™ Wireless control networks, providing out-of-the-box control compatibility with simple commissioning, when ordered with drivers and control options marked by a **shaded background**¹

To learn more about A+, visit www.acuitybrands.com/aplus.

1. See ordering tree for details.
2. A+ Certified Solutions for ROAM require the order of one ROAM node per luminaire. Sold Separately: [Link to Roam](#); [Link to DTL DLL](#)

A+ Capable options indicated by this color background.

Ordering Information

EXAMPLE: KAD LED 40C 1000 40K R5 MVOLT SPD04 DDBXD

| KAD LED | Series | LEDs | Drive current | CCT | Distribution | Voltage | Mounting ³ |
|---------|------------------|---------|-------------------------|------------|------------------------|---------------------------------------|---|
| KAD LED | 20C ¹ | 20 LEDs | 530 530 mA ¹ | 30K 3000 K | R2 Type II | MVOLT ³ 277 ⁴ | Shipped included SPUMBAK__ Square pole universal mounting adaptor ⁶ RPUMBAK__ Round pole universal mounting adaptor ⁶ SPD__ Square pole RPD__ Round pole WBD__ Wall bracket ² WWD__ Wood pole or wall Shipped separately 04 4" arm DAD12P Degree arm (pole) 06 6" arm DAD12WB Degree arm (wall) 09 9" arm ⁵ KMA Mast arm external fitter 12 12" arm ⁶ |
| | 30C ¹ | 30 LEDs | 700 700 mA | 40K 4000 K | R3 Type III | 120 ⁴ 347 ^{1,3} | |
| | 40C | 40 LEDs | 1000 1000 mA | 50K 5000 K | R4 Type IV | 208 ^{4,5} 480 ^{1,3} | |
| | 60C | 60 LEDs | | | R5 Type V ² | 240 ^{4,5} | |

| Options | Finish (required) |
|---|---|
| Shipped installed PER5 NEMA twist-lock five-wire receptacle only (no controls) ^{7,8,9} PER7 Seven-wire receptacle only (no controls) ^{7,8,9} SF Single fuse (120, 277, 347V) ⁴ DF Double fuse (208, 240, 480V) ⁴ PIR Bi-level, motion/ambient sensor, 8-15' mounting height, ambient sensor enabled at 5fc ^{3,10,11,12,13} PIRH Bi-level, motion/ambient sensor, 15-30' mounting height, ambient sensor enabled at 5fc ^{3,10,11,12,13} PIR1FC3V Bi-level, motion/ambient sensor, 8-15' mounting height, ambient sensor enabled at 1fc ^{3,10,11,12,13} PIRH1FC3V Bi-level, motion/ambient sensor, 15-30' mounting height, ambient sensor enabled at 1fc ^{3,10,11,12,13} BL30 Bi-level switched dimming, 30% ^{3,9,10,11} BL50 Bi-level switched dimming, 50% ^{3,9,10,11} | Shipped separately ¹⁷ WG Wire guard PNMTDD3 Part night, dim till dawn ^{3,11,16} PNMT5D3 Part night, dim 5 hrs ^{3,11,16} PNMT6D3 Part night, dim 6 hrs ^{3,11,16} PNMT7D3 Part night, dim 7 hrs ^{3,11,16} HS Houseside shield ¹⁷ DDBXD Dark bronze DDBTXD Textured dark bronze DBLXD Black DBLBXD Textured black DNAXD Natural aluminum DNATXD Textured natural aluminum DWHXD White DWHGXD Textured white |



Ordering Information

Accessories

Ordered and shipped separately.

| | |
|--------------------|---|
| DLL127F 1.5 JU | Photozell - SSL twist-lock (120-277V) ¹⁸ |
| DLL347F 1.5 CUL JU | Photozell - SSL twist-lock (347V) ¹⁸ |
| DLL480F 1.5 CUL JU | Photozell - SSL twist-lock (480V) ¹⁸ |
| DSHORT SBK U | Shorting cap ¹⁸ |
| KADLEDHS 20C U | Houseside shield for 20 LED unit |
| KADLEDHS 30C U | Houseside shield for 30 LED unit |
| KADLEDHS 40C U | Houseside shield for 40 LED unit |
| KADLEDHS 60C U | Houseside shield for 60 LED unit |
| KMA DDBXD U | Mast arm adaptor (specify finish) |
| KADWG U | Wire guard accessory |
| PUMBAK DDBXD U* | Square and round pole universal mounting bracket adaptor (specify finish) |

For more control options, visit [DTL](#) and [ROAM](#) online.

*Round pole top must be 3.25" O.D. minimum.

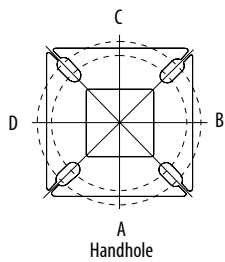
NOTES

- 20C or 30C LED are not available with 530 Drive Current and 347V or 480V.
- Any Type 5 distribution, is not available with WBA.
- Any PIRx with BL30, BL50 or PNMT, is not available with 208V,240V, 347V, 480V or MVOLT. It is only available in 120V or 277V specified.
- MVOLT driver operates on any line voltage from 120-277V (50/60 Hz). Single fuse (SF) requires 120, 277 or 347 voltage option. Double fuse (DF) requires 208, 240 or 480 voltage option.
- 9" or 12" arm is required when two or more luminaires are oriented on a 90° drilling pattern.
- Available as a separate combination accessory: PUMBAK (finish) U.
- Mounting must be restricted to ±45° from horizontal aim per ANSI C136.10-2010. Not available with motion sensor.
- Photozell ordered and shipped as a separate line item from Acuity Brands Controls. See accessories. Not available with DS option. Shorting cap included.
- If ROAM® node required, it must be ordered and shipped as a separate line item from Acuity Brands Controls. Not available with DCR. Node with integral dimming. Shorting cap included.
- PIR and PIR1FC3V specify the [SensorSwitch SBGR-10-ODP](#) control; PIRH and PIRH1FC3V specify the [SensorSwitch SBGR-6-ODP](#) control. Dimming driver standard. Not available with PER5 or PER7.
- Maximum ambient temperature with 347V or 480V is 30°C.
- Reference Motion Sensor table.
- Reference PER table on page 3 to see functionality.
- Requires an additional switched circuit with same phase as main luminaire power. Supply circuit and control circuit are required to be in the same phase.
- Dimming driver standard. MVOLT only. Not available with 347V, 480V, PER5, PER7 or PNMT options.
- Dimming driver standard. MVOLT only. Not available with 347V, 480V, PER5, PER7, BL30 or BL50.
- Also available as a separate accessory; see Accessories information.
- Requires luminaire to be specified with PER option. Ordered and shipped as a separate line item from Acuity Brands Controls.

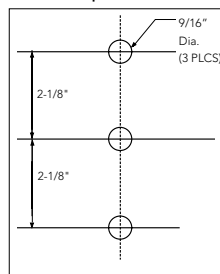
Drilling

Template #5

HANDHOLE ORIENTATION



Top of Pole



Tenon Mounting Slipfitter**

| Tenon O.D. | Single Unit | 2 at 180° | 2 at 90° † | 3 at 120° | 3 at 90° † | 4 at 90° † |
|------------|-------------|-----------|------------|-----------|------------|------------|
| 2-3/8" | T20-190 | T20-280 | T20-290 | T20-320 † | T20-390 | T20-490 |
| 2-7/8" | T25-190 | T25-280 | T25-290 | T25-320 | T25-390 | T25-490 |
| 4" | T35-190 | T35-280 | T35-290 | T35-320 | T35-390 | T35-490 |

** For round pole mounting (RPDXX) only. † Requires 9" or 12" arm.

| Pole drilling nomenclature: # of heads at degree from handhole (default side A) | | | | |
|---|------------|------------|----------------|------------------|
| DM19 | DM28 | DM29 | DM39 | DM49 |
| 1 @ 90° | 2 @ 280° | 2 @ 90° | 3 @ 90° | 4 @ 90° |
| Side B | Side B & D | Side B & C | Side B, C, & D | Sides A, B, C, D |

Note: Review luminaire spec sheet for specific nomenclature

Performance Data

Lumen Output

Lumen values are from photometric tests performed in accordance with IESNA LM-79-08. Data is considered to be representative of the configurations shown, within the tolerances allowed by Lighting Facts. Contact factory for performance data on any configurations not shown here.

| LEDs | Drive Current (mA) | System Watts | Dist. Type | 30K (3000 K, 70 CRI) | | | | | 40K (4000 K, 70 CRI) | | | | | 50K (5000 K, 70 CRI) | | | | |
|------|--------------------|--------------|------------|-------------------------|---|---|---|-----|-------------------------|---|---|---|-----|-------------------------|---|---|---|-----|
| | | | | Lumens | B | U | G | LPW | Lumens | B | U | G | LPW | Lumens | B | U | G | LPW |
| | | | | | | | | | | | | | | | | | | |
| 20C | 530 mA | 35W | R2 | 4,140 | 1 | 0 | 1 | 118 | 4,446 | 1 | 0 | 1 | 127 | 4,473 | 1 | 0 | 1 | 128 |
| | | | R3 | 4,123 | 1 | 0 | 1 | 118 | 4,427 | 1 | 0 | 1 | 126 | 4,455 | 1 | 0 | 1 | 127 |
| | | | R4 | 4,128 | 1 | 0 | 1 | 118 | 4,433 | 1 | 0 | 1 | 127 | 4,460 | 1 | 0 | 1 | 127 |
| | | | R5 | 4,381 | 2 | 0 | 1 | 125 | 4,704 | 3 | 0 | 1 | 134 | 4,734 | 3 | 0 | 1 | 135 |
| | 700 mA | 45W | R2 | 5,271 | 1 | 0 | 1 | 117 | 5,660 | 1 | 0 | 1 | 126 | 5,696 | 1 | 0 | 2 | 127 |
| | | | R3 | 5,250 | 1 | 0 | 2 | 117 | 5,637 | 1 | 0 | 2 | 125 | 5,672 | 1 | 0 | 2 | 126 |
| | | | R4 | 5,256 | 1 | 0 | 2 | 117 | 5,644 | 1 | 0 | 2 | 125 | 5,679 | 1 | 0 | 2 | 126 |
| | | | R5 | 5,578 | 3 | 0 | 1 | 124 | 5,990 | 3 | 0 | 1 | 133 | 6,027 | 3 | 0 | 1 | 134 |
| | 1000 mA | 73W | R2 | 7,344 | 1 | 0 | 2 | 101 | 7,886 | 2 | 0 | 2 | 108 | 7,935 | 2 | 0 | 2 | 109 |
| | | | R3 | 7,314 | 1 | 0 | 2 | 100 | 7,854 | 1 | 0 | 2 | 108 | 7,903 | 1 | 0 | 2 | 108 |
| | | | R4 | 7,322 | 1 | 0 | 2 | 100 | 7,863 | 1 | 0 | 2 | 108 | 7,912 | 1 | 0 | 2 | 108 |
| | | | R5 | 7,771 | 3 | 0 | 1 | 106 | 8,345 | 3 | 0 | 1 | 114 | 8,397 | 3 | 0 | 1 | 115 |
| 30C | 530 mA | 53W | R2 | 6,166 | 1 | 0 | 2 | 116 | 6,621 | 1 | 0 | 2 | 125 | 6,663 | 1 | 0 | 2 | 126 |
| | | | R3 | 6,141 | 1 | 0 | 2 | 116 | 6,594 | 1 | 0 | 2 | 124 | 6,635 | 1 | 0 | 2 | 125 |
| | | | R4 | 6,148 | 1 | 0 | 2 | 116 | 6,602 | 1 | 0 | 2 | 125 | 6,643 | 1 | 0 | 2 | 125 |
| | | | R5 | 6,525 | 3 | 0 | 1 | 123 | 7,006 | 3 | 0 | 1 | 132 | 7,050 | 3 | 0 | 1 | 133 |
| | 700 mA | 69W | R2 | 7,817 | 2 | 0 | 2 | 113 | 8,395 | 2 | 0 | 2 | 122 | 8,447 | 2 | 0 | 2 | 122 |
| | | | R3 | 7,785 | 1 | 0 | 2 | 113 | 8,360 | 2 | 0 | 2 | 121 | 8,412 | 2 | 0 | 2 | 122 |
| | | | R4 | 7,794 | 1 | 0 | 2 | 113 | 8,370 | 1 | 0 | 2 | 121 | 8,422 | 1 | 0 | 2 | 122 |
| | | | R5 | 8,272 | 3 | 0 | 2 | 120 | 8,883 | 3 | 0 | 2 | 129 | 8,938 | 3 | 0 | 2 | 130 |
| | 1000 mA | 108W | R2 | 10,755 | 2 | 0 | 2 | 100 | 11,549 | 2 | 0 | 2 | 107 | 11,621 | 2 | 0 | 2 | 108 |
| | | | R3 | 10,711 | 2 | 0 | 2 | 99 | 11,502 | 2 | 0 | 2 | 106 | 11,574 | 2 | 0 | 2 | 107 |
| | | | R4 | 10,724 | 2 | 0 | 2 | 99 | 11,515 | 2 | 0 | 2 | 107 | 11,587 | 2 | 0 | 2 | 107 |
| | | | R5 | 11,381 | 3 | 0 | 2 | 105 | 12,221 | 4 | 0 | 2 | 113 | 12,297 | 4 | 0 | 2 | 114 |
| 40C | 530 mA | 71W | R2 | 8,156 | 2 | 0 | 2 | 115 | 8,758 | 2 | 0 | 2 | 123 | 8,812 | 2 | 0 | 2 | 124 |
| | | | R3 | 8,122 | 2 | 0 | 2 | 114 | 8,722 | 2 | 0 | 2 | 123 | 8,776 | 2 | 0 | 2 | 124 |
| | | | R4 | 8,132 | 1 | 0 | 2 | 115 | 8,732 | 1 | 0 | 2 | 123 | 8,786 | 1 | 0 | 2 | 124 |
| | | | R5 | 8,630 | 3 | 0 | 2 | 122 | 9,267 | 3 | 0 | 2 | 131 | 9,325 | 3 | 0 | 2 | 131 |
| | 700 mA | 94W | R2 | 10,286 | 2 | 0 | 2 | 109 | 11,045 | 2 | 0 | 2 | 118 | 11,114 | 2 | 0 | 2 | 118 |
| | | | R3 | 10,244 | 2 | 0 | 2 | 109 | 11,000 | 2 | 0 | 2 | 117 | 11,069 | 2 | 0 | 2 | 118 |
| | | | R4 | 10,256 | 2 | 0 | 2 | 109 | 11,013 | 2 | 0 | 2 | 117 | 11,081 | 2 | 0 | 2 | 118 |
| | | | R5 | 10,884 | 3 | 0 | 2 | 116 | 11,688 | 4 | 0 | 2 | 124 | 11,761 | 4 | 0 | 2 | 125 |
| | 1000 mA | 141W | R2 | 13,923 | 2 | 0 | 2 | 99 | 14,951 | 2 | 0 | 2 | 106 | 15,045 | 2 | 0 | 2 | 107 |
| | | | R3 | 13,866 | 2 | 0 | 3 | 98 | 14,890 | 2 | 0 | 3 | 106 | 14,983 | 2 | 0 | 3 | 106 |
| | | | R4 | 13,882 | 2 | 0 | 3 | 98 | 14,907 | 2 | 0 | 3 | 106 | 15,000 | 2 | 0 | 3 | 106 |
| | | | R5 | 14,733 | 4 | 0 | 2 | 104 | 15,821 | 4 | 0 | 2 | 112 | 15,920 | 4 | 0 | 2 | 113 |
| 60C | 530 mA | 103W | R2 | 11,996 | 2 | 0 | 2 | 116 | 12,882 | 2 | 0 | 2 | 125 | 12,963 | 2 | 0 | 2 | 126 |
| | | | R3 | 11,947 | 2 | 0 | 2 | 116 | 12,829 | 2 | 0 | 2 | 125 | 12,909 | 2 | 0 | 2 | 125 |
| | | | R4 | 11,961 | 2 | 0 | 2 | 116 | 12,844 | 2 | 0 | 2 | 125 | 12,925 | 2 | 0 | 2 | 125 |
| | | | R5 | 12,694 | 4 | 0 | 2 | 123 | 13,632 | 4 | 0 | 2 | 132 | 13,717 | 4 | 0 | 2 | 133 |
| | 700 mA | 137W | R2 | 14,927 | 2 | 0 | 2 | 109 | 16,029 | 3 | 0 | 3 | 117 | 16,130 | 3 | 0 | 3 | 118 |
| | | | R3 | 14,866 | 2 | 0 | 3 | 109 | 15,964 | 2 | 0 | 3 | 117 | 16,063 | 2 | 0 | 3 | 117 |
| | | | R4 | 14,884 | 2 | 0 | 2 | 109 | 15,982 | 2 | 0 | 3 | 117 | 16,082 | 2 | 0 | 3 | 117 |
| | | | R5 | 15,796 | 4 | 0 | 2 | 115 | 16,962 | 4 | 0 | 2 | 124 | 17,068 | 4 | 0 | 2 | 125 |
| | 1000 mA | 216W | R2 | 19,328 | 3 | 0 | 3 | 89 | 20,754 | 3 | 0 | 3 | 96 | 20,884 | 3 | 0 | 3 | 97 |
| | | | R3 | 19,248 | 3 | 0 | 3 | 89 | 20,669 | 3 | 0 | 4 | 96 | 20,799 | 3 | 0 | 4 | 96 |
| | | | R4 | 19,271 | 3 | 0 | 3 | 89 | 20,693 | 3 | 0 | 4 | 96 | 20,823 | 3 | 0 | 4 | 96 |
| | | | R5 | 20,452 | 4 | 0 | 2 | 95 | 21,962 | 4 | 0 | 2 | 102 | 22,099 | 4 | 0 | 2 | 102 |

Performance Data

Lumen Ambient Temperature (LAT) Multipliers

Use these factors to determine relative lumen output for average ambient temperatures from 0-40°C (32-104°F).

| Ambient | | Lumen Multiplier |
|-------------|-------------|------------------|
| 0°C | 32°F | 1.02 |
| 10°C | 50°F | 1.01 |
| 20°C | 68°F | 1.00 |
| 25°C | 77°F | 1.00 |
| 30°C | 86°F | 1.00 |
| 40°C | 104°F | 0.99 |

Projected LED Lumen Maintenance

Data references the extrapolated performance projections for the **KAD LED** platform in a **25°C ambient**, based on 10,000 hours of LED testing (tested per IESNA LM-80-08 and projected per IESNA TM-21-11).

To calculate LLF, use the lumen maintenance factor that corresponds to the desired number of operating hours below. For other lumen maintenance values, contact factory.

| Operating Hours | 0 | 25,000 | 50,000 | 100,000 |
|--------------------------|------------------|--------|--------|---------|
| Lumen Maintenance Factor | KAD LED 60C 1000 | | | |
| | 1.0 | 0.91 | 0.86 | 0.76 |
| | KAD LED 40C 1000 | | | |
| | 1.0 | 0.93 | 0.88 | 0.79 |
| Lumen Maintenance Factor | KAD LED 60C 700 | | | |
| | 1.0 | 0.98 | 0.97 | 0.94 |

Motion Sensor Default Settings

| Option | Dimmed State | High Level (when triggered) | Photocell Operation | Dwell Time | Ramp-up Time | Ramp-down Time |
|------------------------|-----------------|-----------------------------|---------------------|------------|--------------|----------------|
| PIR or PIRH | 3V (37%) Output | 10V (100%) Output | Enabled @ 5FC | 5 min | 3 sec | 5 min |
| *PIR1FC3V or PIRH1FC3V | 3V (37%) Output | 10V (100%) Output | Enabled @ 1FC | 5 min | 3 sec | 5 min |

*For use when motion sensor is used as dusk to dawn control

PER Table

| Control | PER (3 wire) | PER5 (5 wire) | | PER7 (7 wire) | |
|-------------------------------------|--------------|---------------|----------------------------------|---------------|-----------------------------|
| | | Wire 4/Wire5 | Wire 4/Wire5 | Wire 4/Wire5 | Wire 6/Wire7 |
| Photocontrol Only (On/Off) | ✓ | ⚠ | Wired to dimming leads on driver | ⚠ | Wires Capped inside fixture |
| ROAM | ✗ | ✓ | Wired to dimming leads on driver | ⚠ | Wires Capped inside fixture |
| ROAM with Motion (ROAM on/off only) | ✗ | ⚠ | Wires Capped inside fixture | ⚠ | Wires Capped inside fixture |
| Future-proof* | ✗ | ⚠ | Wired to dimming leads on driver | ✓ | Wires Capped inside fixture |
| Future-proof* with Motion | ✗ | ⚠ | Wires Capped inside fixture | ✓ | Wires Capped inside fixture |

- ✓ Recommended
- ✗ Will not work
- ⚠ Alternate

*Future-proof means: Ability to change controls in the future.

Electrical Load

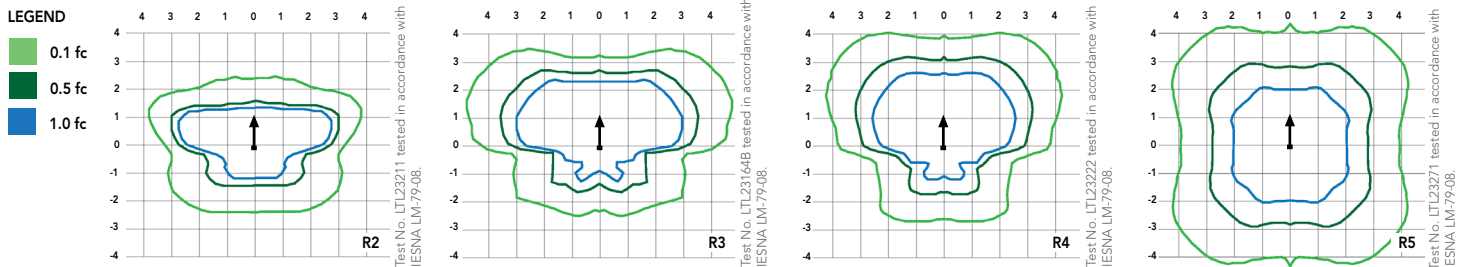
| Number of LEDs | Drive Current (mA) | System Watts | Current (A) | | | | | |
|----------------|--------------------|--------------|-------------|------|------|------|------|------|
| | | | 120 | 208 | 240 | 277 | 347 | 480 |
| 20 | 530 | 35 | 0.30 | 0.18 | 0.16 | 0.15 | - | - |
| | 700 | 45 | 0.39 | 0.23 | 0.20 | 0.18 | 0.15 | 0.12 |
| | 1000 | 73 | 0.61 | 0.35 | 0.31 | 0.27 | 0.22 | 0.17 |
| 30 | 530 | 53 | 0.44 | 0.26 | 0.23 | 0.20 | - | - |
| | 700 | 69 | 0.58 | 0.34 | 0.29 | 0.26 | 0.21 | 0.16 |
| | 1000 | 108 | 0.90 | 0.52 | 0.46 | 0.40 | 0.32 | 0.24 |
| 40 | 530 | 71 | 0.60 | 0.35 | 0.32 | 0.29 | 0.21 | 0.16 |
| | 700 | 94 | 0.79 | 0.46 | 0.41 | 0.36 | 0.27 | 0.20 |
| | 1000 | 141 | 1.18 | 0.68 | 0.59 | 0.52 | 0.42 | 0.30 |
| 60 | 530 | 103 | 0.87 | 0.50 | 0.44 | 0.39 | 0.29 | 0.22 |
| | 700 | 137 | 1.15 | 0.66 | 0.58 | 0.51 | 0.40 | 0.29 |
| | 1000 | 216 | 1.81 | 1.04 | 0.92 | 0.81 | 0.63 | 0.47 |

NOTE: All ratings in this table are for a nominal system operated at 25°C ambient temperature. Current and power specifications in this table do not include branch circuit derating specified in the National Electrical Code. Please observe all applicable electrical codes and ratings.

Photometric Diagrams

To see complete photometric reports or download .ies files for this product, visit Lithonia Lighting's [KAD LED homepage](#).

Isofootcandle plots for the KAD LED 60C 1000 40K. Distances are in units of mounting height (20').



COMMERCIAL OUTDOOR

One Lithonia Way • Conyers, Georgia 30012 • Phone: 800-705-SERV (7378) • www.lithonia.com
© 2012-2022 Acuity Brands Lighting, Inc. All rights reserved.

KAD-LED
Rev. 02/24/22
Page 4 of 5

FEATURES & SPECIFICATIONS

INTENDED USE

The energy savings and long life of the KAD LED area luminaire make it a reliable choice for illuminating streets, walkways, parking lots, and surrounding areas.

CONSTRUCTION

Single-piece die-cast, aluminum housing with contoured edges has a 0.12" nominal wall thickness. Die-cast door frame has an impact-resistant, tempered glass lens that is fully gasketed with one piece tubular silicone.

FINISH

Exterior parts are protected by a zinc-infused Super Durable TGIC thermoset powder coat finish that provides superior resistance to corrosion and weathering. A tightly controlled multi-stage process ensures a minimum 3 mils thickness for a finish that can withstand extreme climate changes without cracking or peeling.

OPTICS

Precision-molded refractive acrylic lenses are available in four distributions. Light engines are available in standard 4000K, 3000K or 5000K (70 CRI) configurations.

ELECTRICAL

Light engine consists of high-efficacy LEDs mounted to a metal-core circuit board and aluminum heat sink, ensuring optimal thermal management and long life. Class 1 electronic driver has a power factor >90%, THD <20%, and has an expected life of 100,000 hours with <1% failure rate. Easily-serviceable surge protection device meets a minimum Category C Low (per ANSI/IEEE C62.41.2).

INSTALLATION

Included universal mounting block and extruded aluminum arm facilitate quick and easy installation using nearly any existing drilling pattern. Stainless steel bolts fasten the luminaire to the mounting block securing it to poles or walls. The KAD LED can withstand up to a 1.5 G vibration load rating per ANSI C136.31. The KAD LED also utilizes the standard K-Series (Template #5) for pole drilling.

LISTINGS

CSA certified to U.S. and Canadian standards. Luminaire is IP65 rated. Rated for -40°C minimum ambient.

DesignLights Consortium® (DLC) qualified product. Not all versions of this product may be DLC qualified. Please check the DLC Qualified Products List at www.designlights.org/QPL to confirm which versions are qualified.

BUY AMERICAN

This product is assembled in the USA and meets the Buy America(n) government procurement requirements under FAR, DFARS and DOT. Please refer to www.acuitybrands.com/resources/buy-american for additional information.

WARRANTY

5-year limited warranty. This is the only warranty provided and no other statements in this specification sheet create any warranty of any kind. All other express and implied warranties are disclaimed. Complete warranty terms located at: www.acuitybrands.com/support/warranty/terms-and-conditions

Note: Actual performance may differ as a result of end-user environment and application. All values are design or typical values, measured under laboratory conditions at 25 °C. Specifications subject to change without notice.



COMMERCIAL OUTDOOR

One Lithonia Way • Conyers, Georgia 30012 • Phone: 800-705-SERV (7378) • www.lithonia.com
© 2012-2022 Acuity Brands Lighting, Inc. All rights reserved.

KAD-LED
Rev. 02/24/22
Page 5 of 5