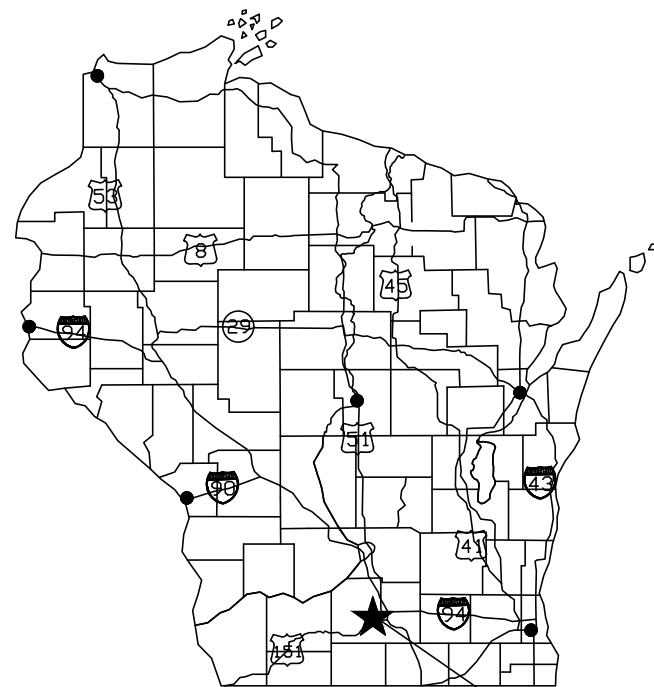


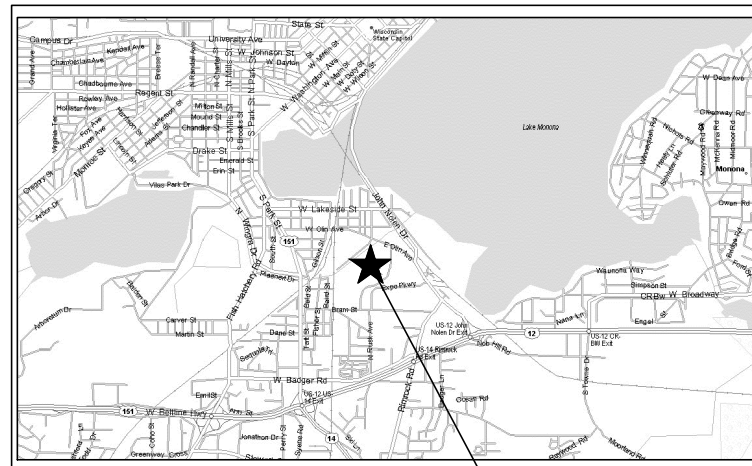
OLIN AVE. WASTE TRANSFER STATION FLOOR REPLACEMENT

FOR THE CITY OF MADISON DANE COUNTY, WISCONSIN AUGUST 2022



**MADISON,
WISCONSIN**

STATE LOCATION MAP
NO SCALE



**OLIN AVENUE WASTE
TRANSFER SITE**

AREA LOCATION MAP
NO SCALE

LIST OF DRAWINGS

SHEET NO.	DRAWING TITLE
GENERAL G0.1	TITLE SHEET AND LIST OF DRAWINGS
DEMOLITION D1.1	TIPPING ROOM FLOOR DEMOLITION PLAN
STRUCTURAL S1.1 S5.1	FLOOR PLAN STRUCTURAL DETAILS

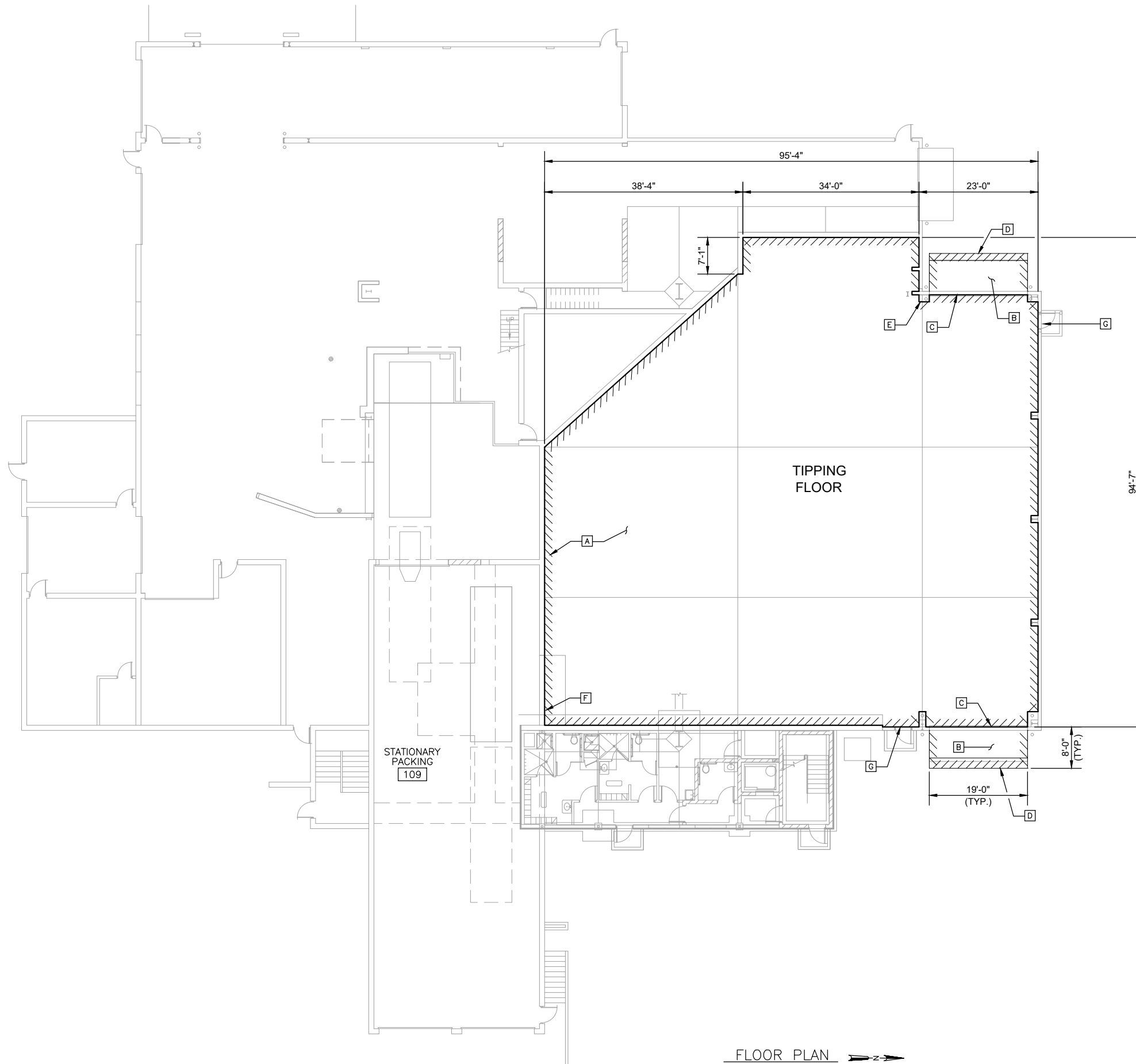
STRAND ASSOCIATES, INC.
910 West Wingra Drive
Madison, WI 53715
608-251-4843
www.strand.com

CONTRACT NO. 8653
PROJECT NO. 13617



ISSUED FOR BID, 08/22/22

SHEET
1
00-G0.01



DEMOLITION GENERAL NOTES

1. REFER TO STANDARD SPECIFICATIONS AND SPECIAL PROVISIONS FOR REQUIREMENTS RELATED TO DISPOSAL OF DEMOLITION DEBRIS.
2. REFER TO 2006 WASTE TRANSFER STATION MODIFICATION RECORD DRAWINGS FOR ADDITIONAL INFORMATION ABOUT THE EXISTING STRUCTURE.
3. PROTECT EXISTING FEATURES FROM DAMAGE DURING DEMOLITION OF FLOOR SLAB.
4. PROVIDE FULL DEPTH SAW CUTS AT PAVEMENT REMOVAL LIMITS WHERE ADJACENT PAVEMENT WILL REMAIN.

DEMOLITION KEY NOTES

- A** REMOVE EXISTING REINFORCED CONCRETE FLOOR EXCEPT AS NOTED AT GUARD POSTS FOR OVERHEAD DOOR.
- B** REMOVE OVERHEAD DOOR APRON.
- C** PROTECT OVERHEAD DOOR TRACKS AND DOOR JAMB WHEN REMOVING EMBEDDED STEEL SILL. TEMPORARILY REMOVE TRACKS IF NEEDED TO REMOVE STEEL SILL.
- D** PROVIDE SAWCUT AND REMOVE ASPHALT PAVEMENT ADJACENT TO CONCRETE APRON.
- E** EXISTING OVERHEAD DOOR GUARD POSTS SHALL REMAIN. CONTRACTOR MAY EITHER REMOVE THE CONCRETE SLAB AROUND THE GUARD POSTS OR SAWCUT AND LEAVE A SQUARE OF THE EXISTING SLAB AROUND THE POSTS.
- F** REMOVE CONCRETE FLOOR SLAB BELOW THE EXISTING STEEL TRANSITION PLATE AT THE COMPACTOR. CITY STAFF WILL REMOVE EXISTING STEEL PLATE.
- G** EXISTING DOORS TO REMAIN. USE CARE TO PROTECT DURING DEMOLITION. REMOVE AND SALVAGE THE DOOR THRESHOLD. CITY WILL REINSTALL AT COMPLETION OF PROJECT.

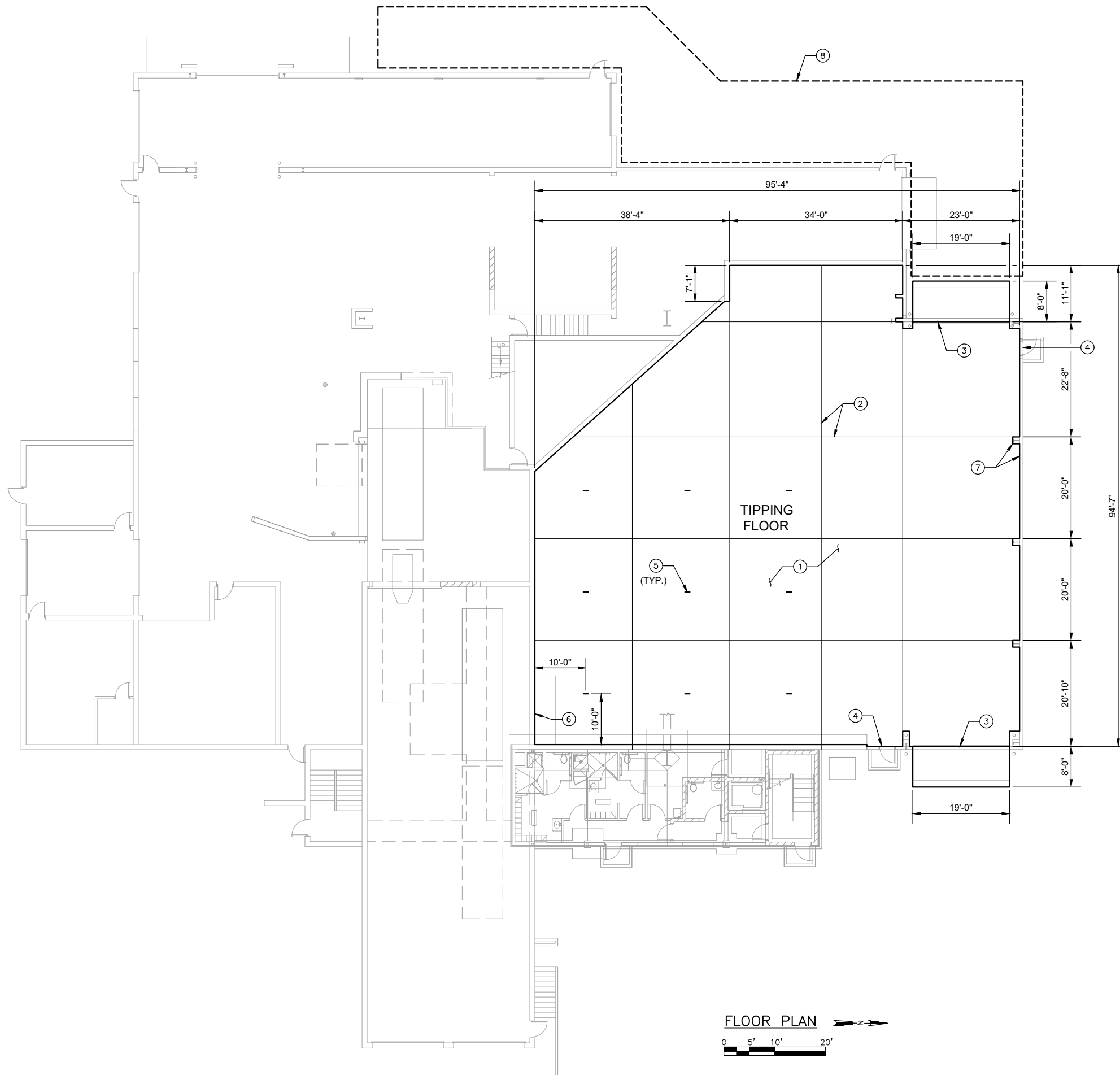
NO.	REVISIONS	DATE

TIPPING ROOM FLOOR DEMOLITION PLAN
 OLIN AVENUE WASTE TRANSFER STATION MODIFICATIONS
 CITY OF MADISON
 DANE COUNTY, WISCONSIN

JOB NO.
1020.128
PROJECT MGR.
BMO



SHEET
D1.1



GENERAL NOTES

1. FINISHED FLOOR ELEVATION SHALL MATCH EXISTING. FLOOR GENERALLY SLOPES TOWARDS THE SOUTHEAST CORNER. TAKE LEVEL / ELEVATION SHOTS OF EXISTING FLOOR AT THE OVERHEAD DOORS AND AT THE CORNERS PRIOR TO FLOOR DEMOLITION FOR USE IN SETTING THE FINISHED FLOOR ELEVATION FOR NEW SLAB.
2. PROTECT EXISTING GUARD POSTS AT OVERHEAD DOORS DURING DEMOLITION AND CONSTRUCTION.

KEYNOTES

- ① CONCRETE TIPPING FLOOR SLAB (A S5.1)
- ② SAWN JOINT OR CONSTRUCTION JOINT (B S5.1, C S5.1)
- ③ OVERHEAD DOOR SILL / CONCRETE APRON (D S5.1)
- ④ SLAB AT DOOR STOOP (E S5.1)
- ⑤ SLAB WEAR INDICATOR PLATES AT 20-FOOT ON CENTER OVER 40-FOOT SQUARE AREA AS SHOWN (F S5.1)
- ⑥ COMPACTOR RAMP TRANSITION (G S5.1)
- ⑦ 1/2" EXP. JOINT FILLER AROUND PERIMETER OF SLAB.
- ⑧ THIS AREA OF THE SITE IS AVAILABLE FOR CONTRACTOR STAGING. OTHER AREAS OF THE SITE MAY ALSO BE USED BY CONTRACTOR IF APPROVED BY THE FACILITY MANAGER.

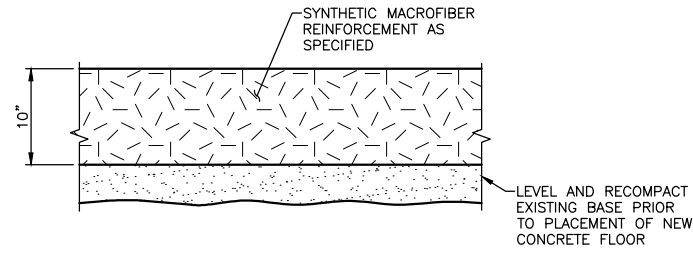
NO.	REVISIONS	DATE

FLOOR PLAN
OLIN AVENUE WASTE TRANSFER STATION MODIFICATIONS
CITY OF MADISON
DANE COUNTY, WISCONSIN

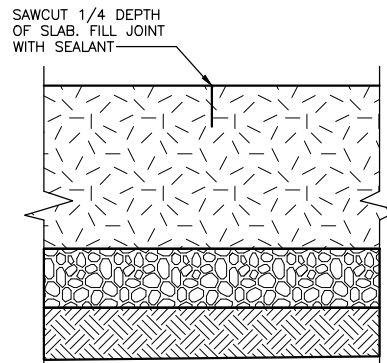
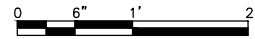
JOB NO.
1020.128
PROJECT MGR.
BMO



SHEET
S1.1

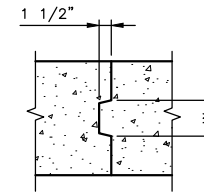


A TIPPING FLOOR SLAB
S5.1 NO SCALE



NOTE: AT CONTRACTOR'S OPTION, CONSTRUCTION JOINTS MAY BE PROVIDED IN LIEU OF CONTROL JOINTS. PROVIDE FULL DEPTH BOND BREAKER IN LIEU OF 1/4 DEPTH SAWCUT.

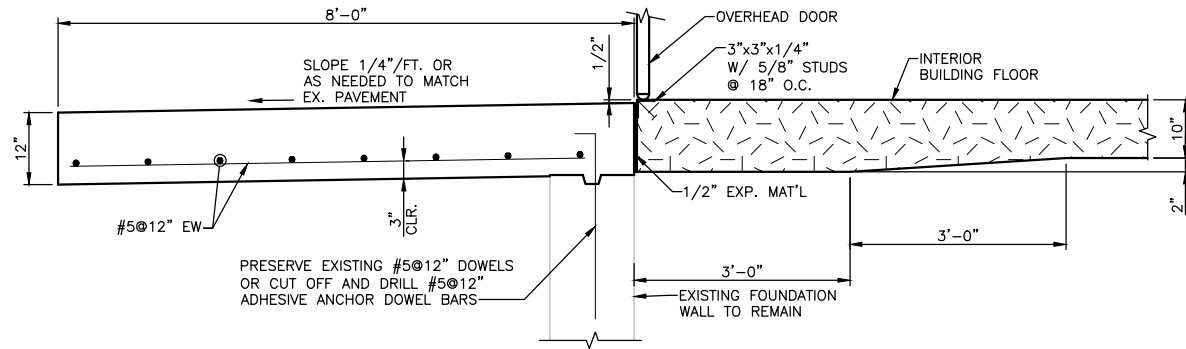
B TIPPING FLOOR SAWN JOINT
S5.1 NO SCALE



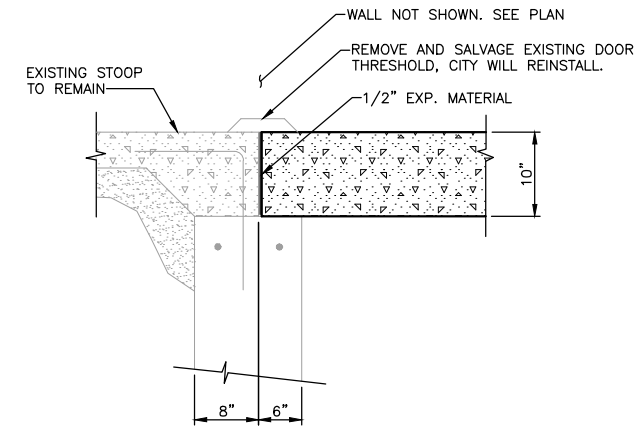
NOTES:

1. W=3 1/2"
2. APPLY BONDING AGENT TO JOINT AS SPECIFIED.

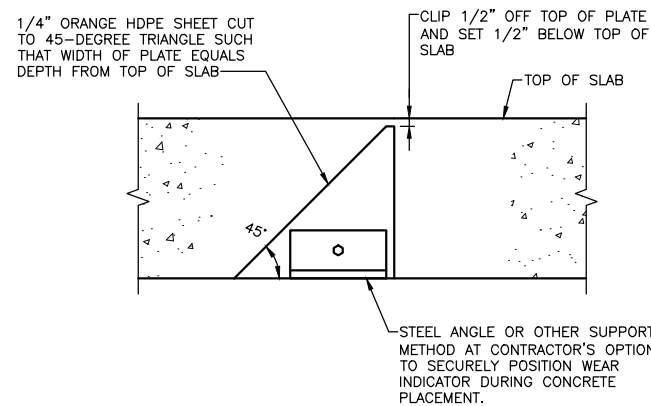
C CONSTRUCTION JOINT
S5.1 NO SCALE



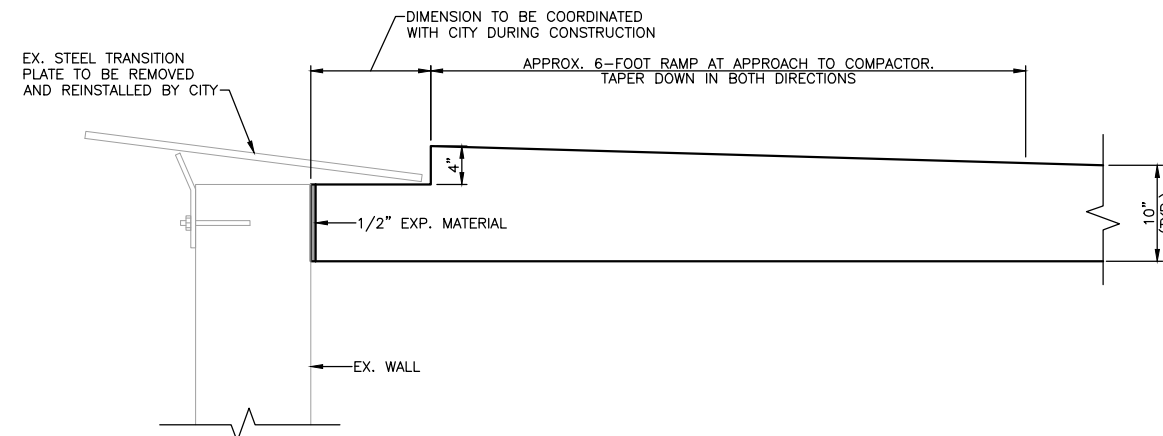
D OVERHEAD DOOR SILL / CONCRETE APRON
S5.1 NO SCALE



E TYPICAL SECTION AT DOOR STOOP
S5.1 NO SCALE



F WEAR INDICATOR PLATE
S5.1 NO SCALE



G COMPACTOR RAMP TRANSITION
S5.1 NO SCALE

DATE:	NO.	REVISIONS

STRUCTURAL DETAILS
 OLIN AVENUE WASTE TRANSFER STATION MODIFICATIONS
 CITY OF MADISON
 DANE COUNTY, WISCONSIN

JOB NO.
 1020.128
PROJECT MGR.
 BMO

SHEET
S5.1