

SCALE: 1 INCH : 100 FEET



LONG DR

LONG DR

MILLPOND RD

MILLPOND RD

EXISTING RIGHT-OF-WAY

PROPOSED RIGHT-OF-WAY

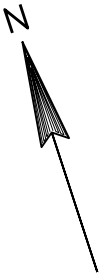
POND

TLE

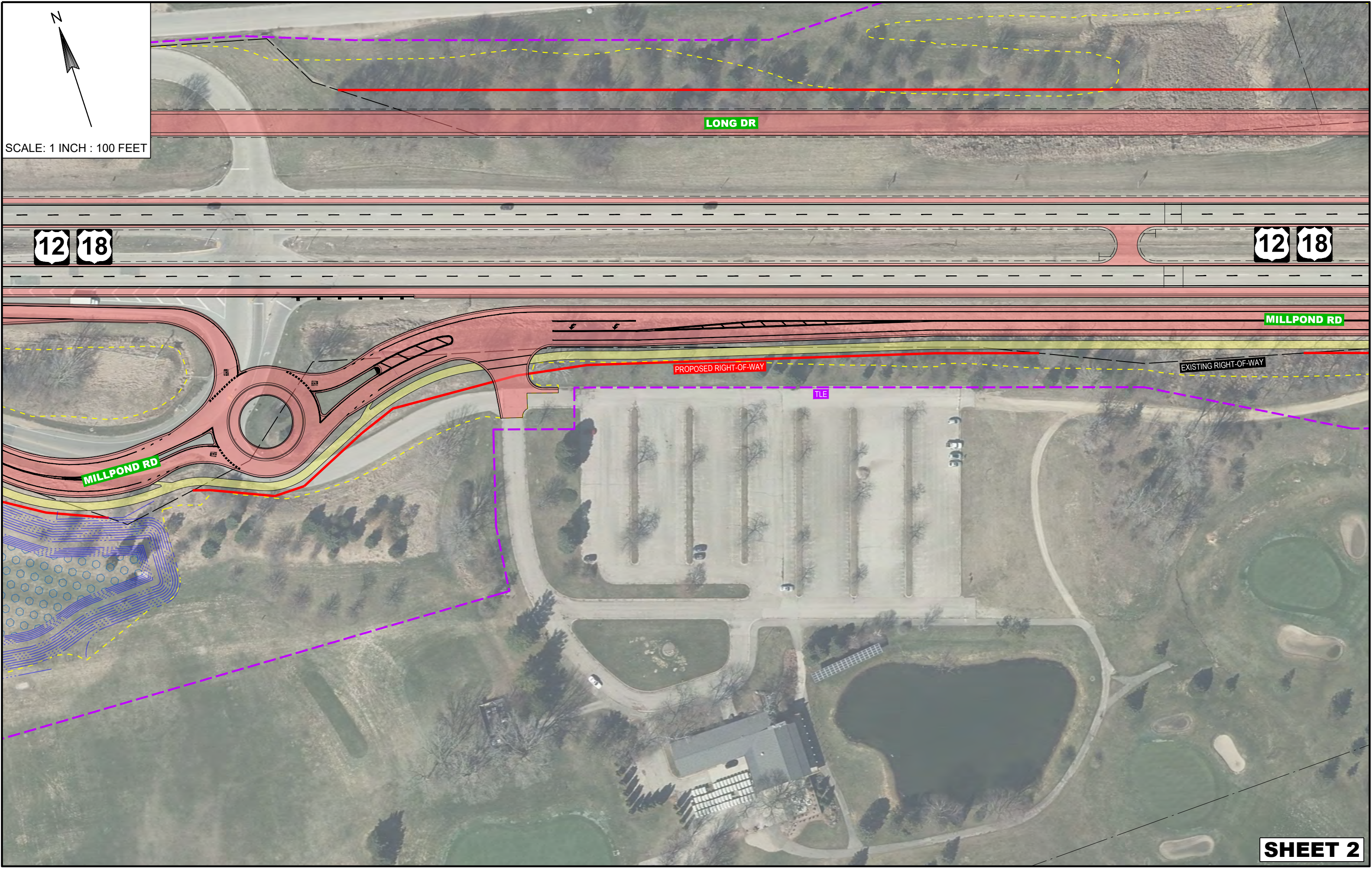
SHEET 1



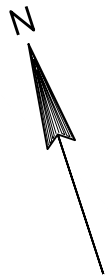
N



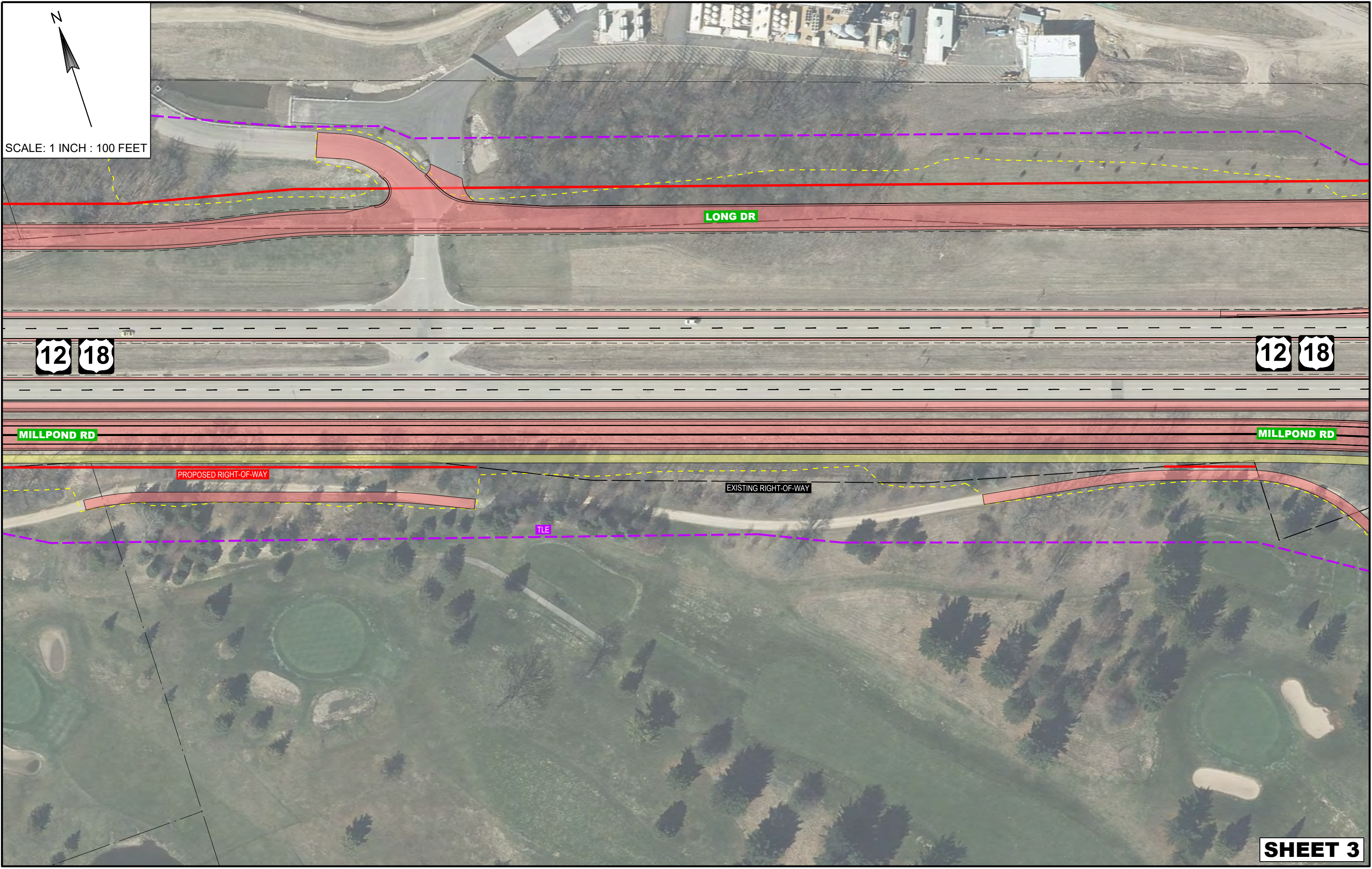
SCALE: 1 INCH : 100 FEET



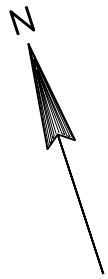




SCALE: 1 INCH : 100 FEET







SCALE: 1 INCH : 100 FEET

LONG DR

12 18

12 18

MILLPOND RD

EXISTING RIGHT-OF-WAY

PROPOSED RIGHT-OF-WAY

TLE

MILLPOND RD

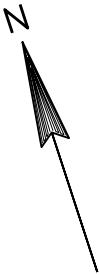
CHAB (EX)

POND

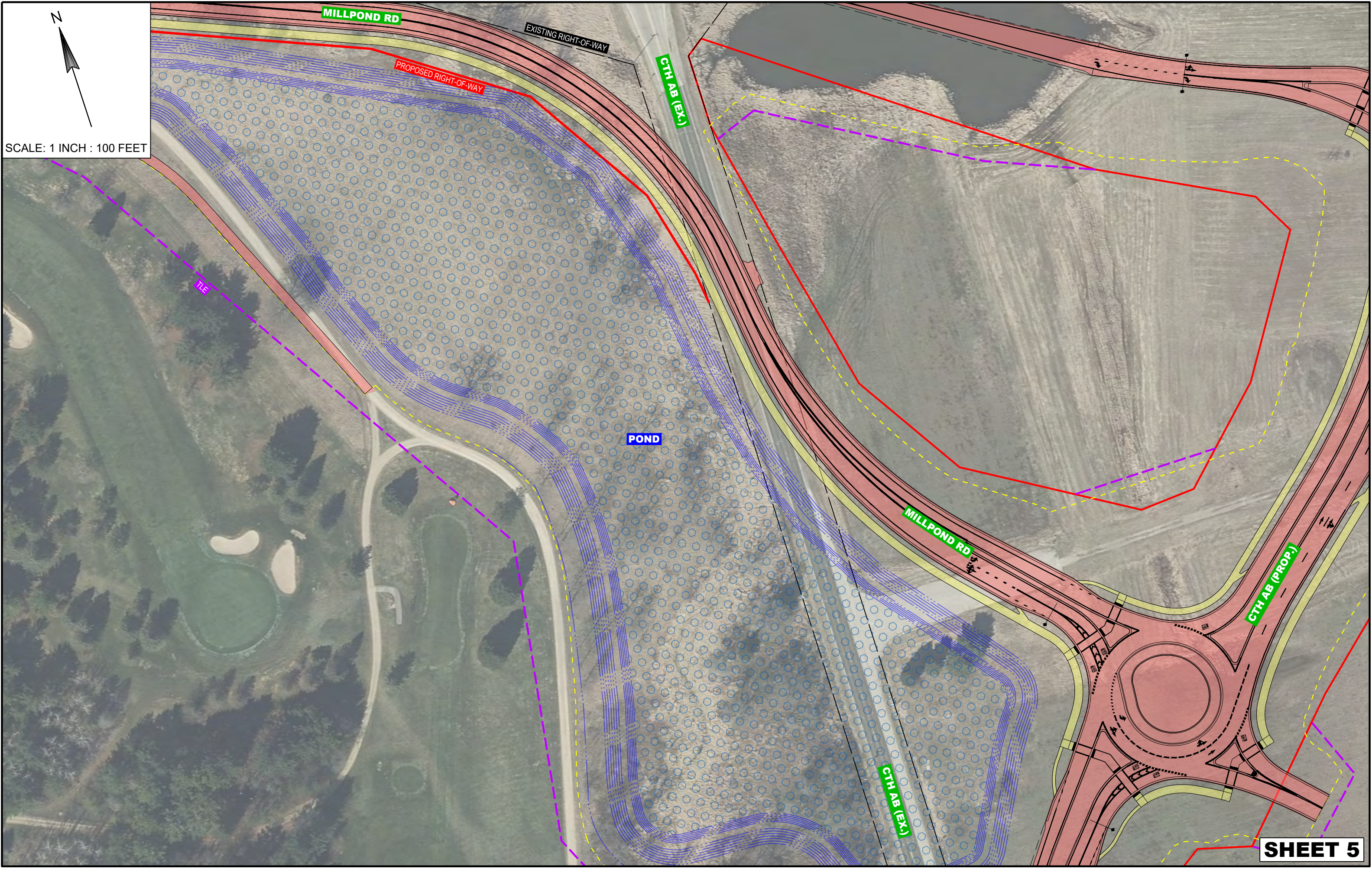
SHEET 4



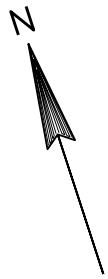
N



SCALE: 1 INCH : 100 FEET







SCALE: 1 INCH : 100 FEET

