

- SIGN TYPE A** 2'-6" Neon Channel Letterset w/ 3' logo.
 - SIGN TYPE B** 3'3" x 5'7" S/F Neon Wall Sign.
 - SIGN TYPE C** 2'1" x 3'10" S/F Neon Wall Sign.
 - LED D** White LED Border Lighting.
 - SIGN TYPE E** D/F LED Monument Sign.
- All other signage not mentioned in this CDR shall comply with Chapter 31.

SIGN PLACEMENT

FEDERAL HEATH
SIGN COMPANY
www.FederalHeath.com
160 W. Carmel Drive, Suite 236 Carmel, IN 46032
(317) 581-7790 Fax (317) 581-7783

Manufacturing Facilities:
Oceanside - Euless - Jacksonville - Columbus
Office Locations:
Oceanside - Las Vegas - Laughlin - Idaho Falls
Euless - Jacksonville - Houston - San Antonio
Corpus Christi - Grafton - Milwaukee
Willowbrook - Louisville - Indianapolis - Columbus
Cincinnati - Westerville - Knoxville - Tunica
Atlanta - Tampa - Daytona Beach - Winter Park
Building Quality Signage Since 1901

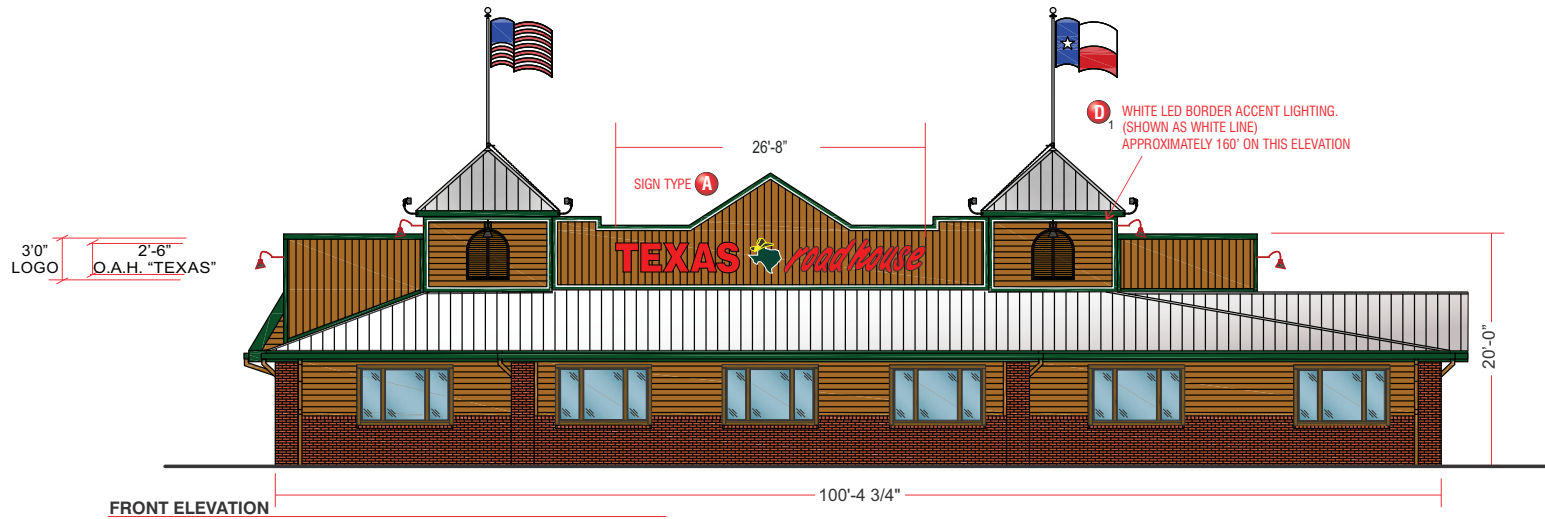
Revisions:
1/29/21-SM-Revised Sign A: Channel letterset and Sign E: Monument Sign.
Colors Depicted In This Rendering May Not Match Actual Finished Materials. Refer To Product Samples For Exact Color Match
Client Approval/Date:
Landlord Approval/Date:

Account Rep: Randy Cearlock
Project Manager: S. Maeser
K. Singleton
Drawn By:
Underswriters Laboratories Inc. nfc ELECTRICAL TO USE U.L.-8 LISTED COMPONENTS AND SHALL MEET ALL P.E.C. STANDARDS

Project / Location:
TEXAS road house
7050 WATTS RD.
MADISON, WISCONSIN, 53719

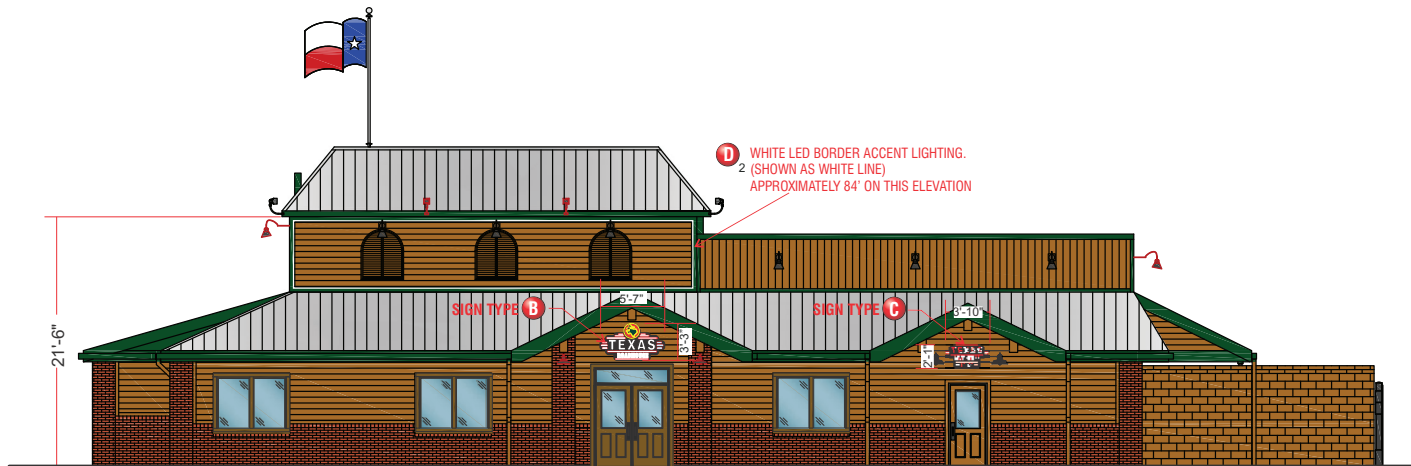
Job Number: 23-64715-10
Date: March 5, 2021
Sheet Number: 1 Of 8
Design Number: 23-64715-10R1

This original drawing is provided as part of a planned project and is not to be exhibited, copied or reproduced without the written permission of Federal Heath Sign Company, LLC or its authorized agent. © 2008



FRONT ELEVATION

SCALE : 3/32" = 1'-0"



RIGHT ELEVATION

SCALE : 3/32" = 1'-0"



www.FederalHeath.com

160 W. Carmel Drive, Suite 236 Carmel, IN 46032
 (317) 581-7790 Fax (317) 581-7783

Manufacturing Facilities:
 Oceanside - Euless - Jacksonville - Columbus
 Office Locations:
 Oceanside - Las Vegas - Laughlin - Idaho Falls
 Euless - Jacksonville - Houston - San Antonio
 Corpus Christi - Grafton - Milwaukee
 Willowbrook - Louisville - Indianapolis - Columbus
 Cincinnati - Westerville - Knoxville - Tunica
 Atlanta - Tampa - Daytona Beach - Winter Park
Building Quality Signage Since 1901

Revisions:
 1/29/21-SM-Revised Sign A: Channel letterset and Sign E: Monument Sign.
 Colors Depicted In This Rendering May Not Match Actual Finished Materials. Refer To Product Samples For Exact Color Match
 Client Approval/Date:
 Landlord Approval/Date:

Account Rep: Randy Cearlock
 Project Manager: S. Maeser
 Drawn By: K. Singleton
 Underwriters Laboratories Inc. ELECTRICAL TO USE U.L.-48 LISTED COMPONENTS AND SHALL MEET ALL R.E.C. STANDARDS

Project / Location:

 7050 WATTS RD.
 MADISON, WISCONSIN, 53719

Job Number: 23-64715-10
 Date: March 5, 2021
 Sheet Number: 2 Of 8
 Design Number: 23-64715-10R1

This original drawing is provided as part of a planned project and is not to be exhibited, copied or reproduced without the written permission of Federal Heath Sign Company, LLC or its authorized agent. © 2008



LEFT ELEVATION

SCALE : 3/32" = 1'-0"



REAR ELEVATION

SCALE : 3/32" = 1'-0"



160 W. Carmel Drive, Suite 236 Carmel, IN 46032
 (317) 581-7790 Fax (317) 581-7783

Manufacturing Facilities:
 Oceanside - Euless - Jacksonville - Columbus
 Office Locations:
 Oceanside - Las Vegas - Laughlin - Idaho Falls
 Euless - Jacksonville - Houston - San Antonio
 Corpus Christi - Grafton - Milwaukee
 Willowbrook - Louisville - Indianapolis - Columbus
 Cincinnati - Westerville - Knoxville - Tunica
 Atlanta - Tampa - Daytona Beach - Winter Park
Building Quality Signage Since 1901

Revisions:
 1/29/21-SM-Revised Sign A: Channel letterset and Sign E: Monument Sign.
 Colors Depicted in This Rendering May Not Match Actual Finished Materials. Refer To Product Samples For Exact Color Match
 Client Approval/Date: _____
 Landlord Approval/Date: _____

Account Rep: **Randy Cearlock**
 Project Manager: **S. Maeser**
 Drawn By: **K. Singleton**

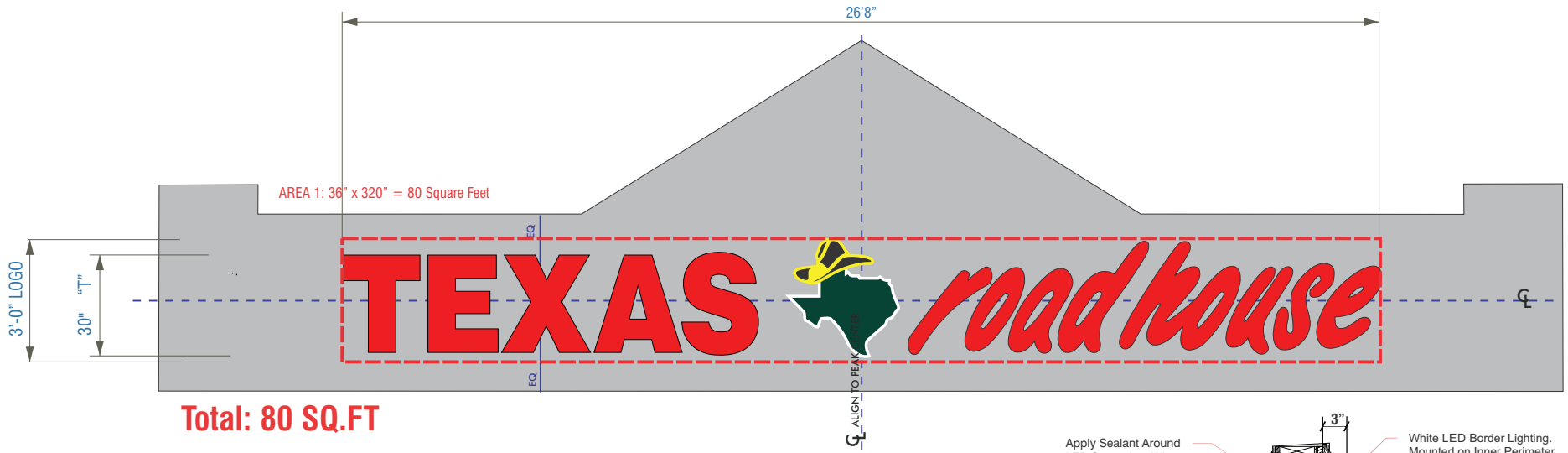


Project / Location:

7050 WATTS RD.
MADISON, WISCONSIN, 53719

Job Number: **23-64715-10**
 Date: **March 5, 2021**
 Sheet Number: **3** Of **8**
 Design Number: **23-64715-10R1**

This original drawing is provided as part of a planned project and is not to be exhibited, copied or reproduced without the written permission of Federal Heath Sign Company, LLC or its authorized agent. © 2008



Total: 80 SQ.FT

SIGN TYPE A Individual Lighted Channel Letters- One (1) Set Req'd.

SCOPE OF WORK:

Manufacture and install channel letters having remote transformers located in accessible area behind wall.

SCALE: 3/8" = 1'-0"

INSTALLER IS RESPONSIBLE FOR:
 PROVIDING AND INSTALLING ALL COMPONENTS REQUIRED TO RUN SECONDARY WIRING (CONNECTORS, GTO CONDUIT, ETC.) TO BE DETERMINED BY LOCAL CODE AND SITE CONDITIONS.
 PROVIDING ALL NEEDED INSTALLATION HARDWARE AS DETERMINED BY LOCAL CODE AND SITE CONDITIONS.

ELECTRICAL REQUIREMENTS PER SIGN

Total: 16.8 Amps

(2) 120V 20A Circuit Required .

ALL BRANCH CIRCUITS SHALL BE DEDICATED TO SIGNS (INCLUDING GROUND AND NEUTRAL) AND SHALL NOT BE SHARED WITH OTHER LOADS.

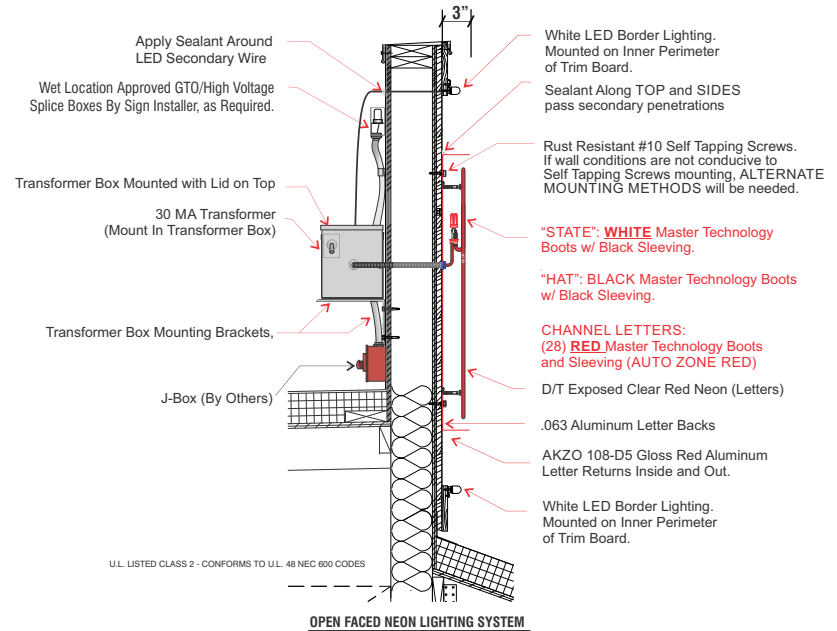
MATERIAL FINISH COLORS

AKZO 108-D5 Gloss Red	Double Tube Clear Red Neon	AKZO Gloss White	2100-24 Dk. Green Vinyl Applied to White Face Leaving White Outline.	Outlined W/ 6500Brite White Argon Tubing.	Match PMS-122	2100-03 Black Vinyl elements Applied to Yellow Bkgd. Leaving Yellow Outline.	Overlay "Hat" w/ Single Tube Clear Brite Yellow Argon Tubing.
Letters: Returns and Face	Letters	Logo: "State" Returns and Face	Logo: "State"	Logo: "State"	Logo: "Hat" Returns & Face.	Logo: "Hat"	Logo: "Hat"

CUSTOMER TO PROVIDE:

ALL BRANCH (PRIMARY ELECTRICAL SERVICE) CIRCUITS & FINAL CONNECTION TO EACH SIGN (WITHIN 5 FT.) TO BE BY CERTIFIED ELECTRICIAN:
 A. All branch circuits for signs must be totally dedicated to signs (including dedicated ground and dedicated neutral per circuit).
 B. Sign circuits must not be shared with other loads such as lighting, air conditioning, and other equipment.
 C. Properly sized ground wire that can be traced back to the breaker panel must be provided.
 D. Number and size of circuits for each sign to meet Federal Health Sign's requirement.
 Any deviation from the above recommendations may result in:
 1. Damage to or improper operation of the sign(s).
 2. Delays and additional costs.

Notes: - Certain electrical components of signs will fail prematurely if signs are not shut-off for a period of time, once, each day. For best performance, we recommend signs to be connected to an automatic controlling device such as an Energy Management System, Time Clock or Photo Cell that will automatically shut-off the sign for a period of time, each day. Failure to do so will cause damage to the electrical components of the sign and will void the warranty.
 - Some dimming devices will also adversely affect sign electrical components, causing failure. Any dimming of the sign without consultation with Federal Health Sign Co. will void the warranty.



UL LISTED CLASS 2 - CONFORMS TO UL 48 NEC 600 CODES

OPEN FACED NEON LIGHTING SYSTEM



www.FederalHealth.com

160 W. Carmel Drive, Suite 236 Carmel, IN 46032
 (317) 581-7790 Fax (317) 581-7783

Manufacturing Facilities:
 Oceanside - Euless - Jacksonville - Columbus
 Office Locations:
 Oceanside - Las Vegas - Laughlin - Idaho Falls
 Euless - Jacksonville - Houston - San Antonio
 Corpus Christi - Grifton - Milwaukee
 Willowbrook - Louisville - Indianapolis - Columbus
 Cincinnati - Westerville - Knoxville - Tunica
 Atlanta - Tampa - Daytona Beach - Winter Park
Building Quality Signage Since 1901

Revisions:

1/29/21-SM-Revised Sign A: Channel letter set and Sign E: Monument Sign.

Colors Depicted In This Rendering May Not Match Actual Finished Materials. Refer To Product Samples For Exact Color Match

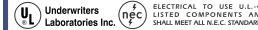
Client Approval/Date:

Landlord Approval/Date:

Account Rep: **Randy Cearlock**

Project Manager: **S. Maeser**

Drawn By: **K. Singleton**



Project / Location:

TEXAS roadhouse
 7050 WATTS RD.
 MADISON, WISCONSIN, 53719

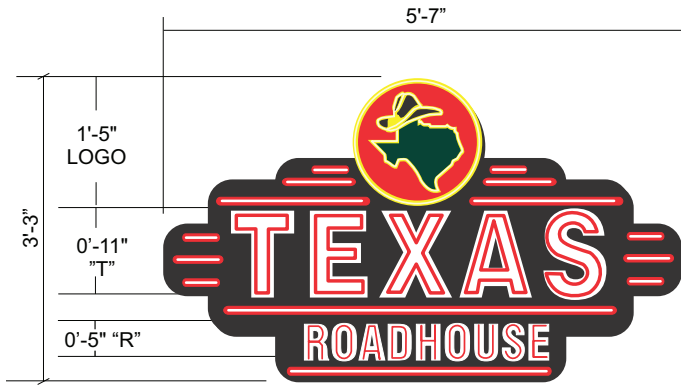
Job Number: **23-64715-10**

Date: **March 5, 2021**

Sheet Number: **4** Of **8**

Design Number: **23-64715-10R1**

This original drawing is provided as part of a planned project and is not to be exhibited, copied or reproduced without the written permission of Federal Health Sign Company, LLC or its authorized agent. © 2008



Single Face Illuminated Wall Sign One (1) Req'd

SIGN TYPE **B**

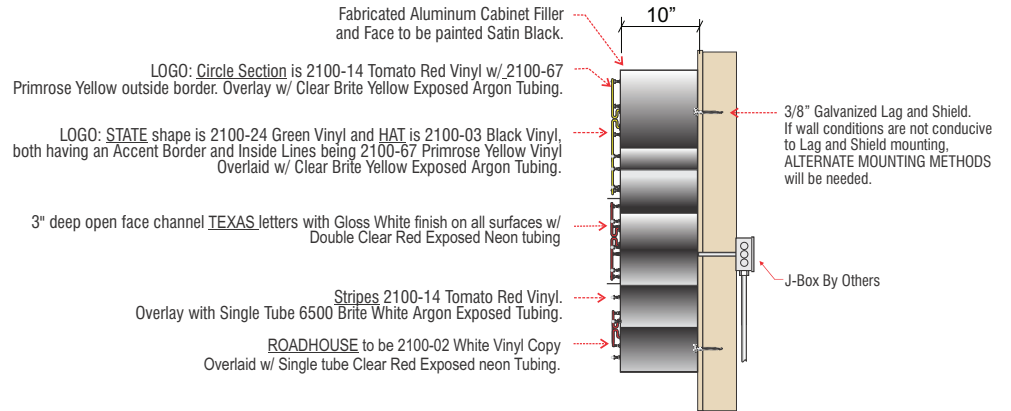
18.1 SQ.FT.

Scale: 3/4"= 1'-0"

SCOPE OF WORK:

Manufacture and install S/F illuminated wall sign.

PART # TR18WSN



Typical Cabinet End View

CUSTOMER TO PROVIDE:
 (For New / Remodel Construction) ADEQUATE BEHIND THE WALL BACKING AND ACCESS AS REQUIRED TO INSTALL SIGNAGE. CUSTOMER TO FORWARD COPY OF FINAL APPROVED SIGNAGE DRAWINGS TO BUILDING SITE CONTACT SO THAT THESE PROVISIONS CAN BE MADE DURING CONSTRUCTION AND PRIOR TO SIGN INSTALLATION.

ALL BRANCH (PRIMARY ELECTRICAL SERVICE) CIRCUITS & FINAL CONNECTION TO EACH SIGN (WITHIN 5 FT.) TO BE BY CERTIFIED ELECTRICIAN:
 A. All branch circuits for signs must be totally dedicated to signs (including dedicated ground and dedicated neutral per circuit).
 B. Sign circuits must not be shared with other loads such as lighting, air conditioning, and other equipment.
 C. Properly sized ground wire that can be traced back to the breaker panel must be provided.
 D. Number and size of circuits for each sign to meet Federal Health Signs requirement.

Any deviation from the above recommendations may result in:
 1. Damage to or improper operation of the sign(s).
 2. Delays and additional costs.

Notes: ○ Certain electrical components of signs will fail prematurely if signs are not shut-off for a period of time, once, each day. For best performance, we recommend signs to be connected to an automatic controlling device such as an Energy Management System, Time Clock or Photo Cell that will automatically shut-off the sign for a period of time, each day. Failure to do so will cause damage to the electrical components of the sign and will void the warranty.
 ○ Some dimming devices will also adversely affect sign electrical components, causing failure. Any dimming of the sign without consultation with Federal Health Sign Co. will void the warranty.

INSTALLER IS RESPONSIBLE FOR:
 PROVIDING AND INSTALLING ALL COMPONENTS REQUIRED TO RUN SECONDARY WIRING (CONNECTORS, GTO CONDUIT, ETC.) TO BE DETERMINED BY LOCAL CODE AND SITE CONDITIONS.

PROVIDING ALL NEEDED INSTALLATION HARDWARE AS DETERMINED BY LOCAL CODE AND SITE CONDITIONS.

SEALING BUILDING PENETRATIONS WITH SILICONE TO PREVENT MOISTURE PENETRATION @ EXTERIOR LOCATIONS..

ELECTRICAL REQUIREMENTS	
Total: <u>7.72</u> Amps	ALL BRANCH CIRCUITS SHALL BE DEDICATED TO SIGNS (INCLUDING GROUND AND NEUTRAL) AND SHALL NOT BE SHARED WITH OTHER LOADS.
(1) 120V 20A Circuit Required.	

MATERIAL FINISH COLORS

AKZO Satin Black	AKZO Gloss White	Double Tube Clear Red Neon	Single tube Clear Brite Yellow Argon Tubing.	
Cabinet and Face Bkgd	"TEXAS" Letters Inside and outside.	"Texas" and "Roadhouse" Letters	Logo: Circle, Hat and State	
6500Brite White Argon Tubing.	2100-14 Tomato Red Vinyl	2100-24 Dk. Green Vinyl	2100-67 Primrose Yellow	2100-03 Black Vinyl elements Applied to Yellow Bkgd.
Stripes	Logo Circle and Stripe Bkgd.	Logo: "State"	Logo: Circle, Hat and State Border.	Logo: "Hat"



www.FederalHealth.com

160 W. Carmel Drive, Suite 236 Carmel, IN 46032
 (317) 581-7790 Fax (317) 581-7783

Manufacturing Facilities:
 Oceanside - Euless - Jacksonville - Columbus
 Office Locations:
 Oceanside - Las Vegas - Laughlin - Idaho Falls
 Euless - Jacksonville - Houston - San Antonio
 Corpus Christi - Grafton - Milwaukee
 Willowbrook - Louisville - Indianapolis - Columbus
 Cincinnati - Westerville - Knoxville - Tunica
 Atlanta - Tampa - Daytona Beach - Winter Park
Building Quality Signage Since 1901

Revisions:
 1/29/21-SM-Revised Sign A: Channel letter set and Sign E: Monument Sign.

Colors Depicted In This Rendering May Not Match Actual Finished Materials. Refer To Product Samples For Exact Color Match

Client Approval/Date: _____
 Landlord Approval/Date: _____

Account Rep: **Randy Cearlock**
 Project Manager: **S. Maeser**
 Drawn By: **K. Singleton**

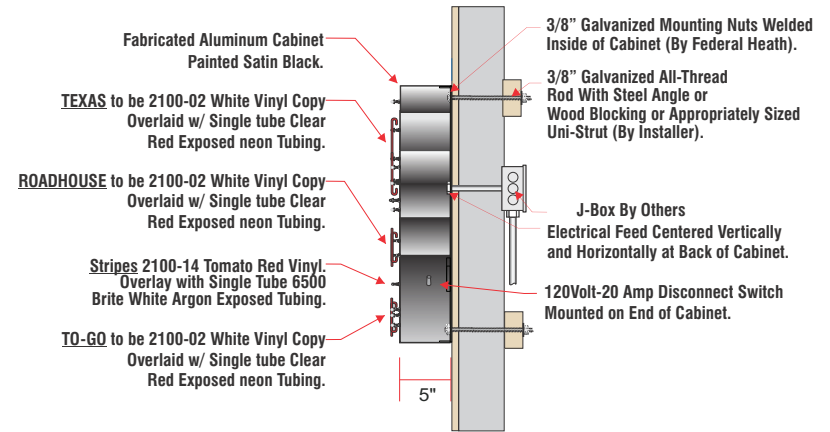
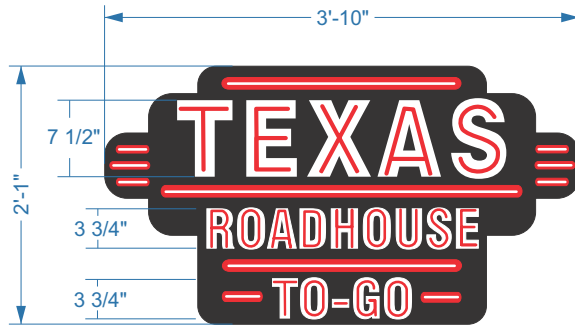
Underwriters Laboratories Inc. ELECTRICAL TO USE U.L.-48 LISTED COMPONENTS AND SHALL MEET ALL NEC STANDARDS

Project / Location:

**7050 WATTS RD.
 MADISON, WISCONSIN, 53719**

Job Number: **23-64715-10**
 Date: **March 5, 2021**
 Sheet Number: **5** Of **8**
 Design Number: **23-64715-10R1**

This original drawing is provided as part of a planned project and is not to be exhibited, copied or reproduced without the written permission of Federal Health Sign Company, LLC or its authorized agent. © 2008



Typical Cabinet End View

SIGN TYPE **C**

Single Face Illuminated Wall Sign One (1) Req'd | 7.98 SQ.FT.

SCOPE OF WORK:

Manufacture and install S/F Internally illuminated wall sign.

Scale: 1" = 1'-0"

CUSTOMER TO PROVIDE:

(For New / Remodel Construction) ADEQUATE BEHIND THE WALL BACKING AND ACCESS AS REQUIRED TO INSTALL SIGNAGE. CUSTOMER TO FORWARD COPY OF FINAL APPROVED SIGNAGE DRAWINGS TO BUILDING SITE CONTACT SO THAT THESE PROVISIONS CAN BE MADE DURING CONSTRUCTION AND PRIOR TO SIGN INSTALLATION.

ALL BRANCH (PRIMARY ELECTRICAL SERVICE) CIRCUITS & FINAL CONNECTION TO EACH SIGN (WITHIN 5 FT.) TO BE BY CERTIFIED ELECTRICIAN:
 A. All branch circuits for signs must be totally dedicated to signs (including dedicated ground and dedicated neutral per circuit).
 B. Sign circuits must not be shared with other loads such as lighting, air conditioning, and other equipment.
 C. Properly sized ground wire that can be traced back to the breaker panel must be provided.
 D. Number and size of circuits for each sign to meet Federal Heath Sign's requirement.

Any deviation from the above recommendations may result in:

1. Damage to or improper operation of the sign(s).
2. Delays and additional costs.

Notes:
 ○ Certain electrical components of signs will fail prematurely if signs are not shut-off for a period of time, once, each day. For best performance, we recommend signs to be connected to an automatic controlling device such as an Energy Management System, Time Clock or Photo Cell that will automatically shut-off the sign for a period of time, each day. Failure to do so will cause damage to the electrical components of the sign and will void the warranty.
 ○ Some dimming devices will also adversely affect sign electrical components, causing failure. Any dimming of the sign without consultation with Federal Heath Sign Co. will void the warranty.

INSTALLER IS RESPONSIBLE FOR:

PROVIDING AND INSTALLING ALL COMPONENTS REQUIRED TO RUN SECONDARY WIRING (CONNECTORS, GTO CONDUIT, ETC.) TO BE DETERMINED BY LOCAL CODE AND SITE CONDITIONS.

PROVIDING ALL NEEDED INSTALLATION HARDWARE AS DETERMINED BY LOCAL CODE AND SITE CONDITIONS.

SEALING BUILDING PENETRATIONS WITH SILICONE TO PREVENT MOISTURE PENETRATION @ EXTERIOR LOCATIONS..

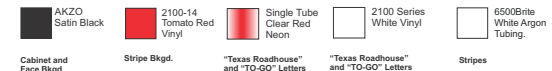
ELECTRICAL REQUIREMENTS

Total: 7.72 Amps

(1) 120V 20A Circuit Required.

ALL BRANCH CIRCUITS SHALL BE DEDICATED TO SIGNS (INCLUDING GROUND AND NEUTRAL) AND SHALL

MATERIAL FINISH COLORS



www.FederalHeath.com

160 W. Carmel Drive, Suite 236 Carmel, IN 46032
 (317) 581-7790 Fax (317) 581-7783

Manufacturing Facilities:
 Oceanside - Euless - Jacksonville - Columbus
 Office Locations:
 Oceanside - Las Vegas - Laughlin - Idaho Falls
 Euless - Jacksonville - Houston - San Antonio
 Corpus Christi - Grifton - Milwaukee
 Willowbrook - Louisville - Indianapolis - Columbus
 Cincinnati - Westerville - Knoxville - Tunica
 Atlanta - Tampa - Daytona Beach - Winter Park
Building Quality Signage Since 1901

Revisions:

1/29/21-SM-Revised Sign A: Channel letter set and Sign E: Monument Sign.

Colors Depicted In This Rendering May Not Match Actual Finished Materials. Refer To Product Samples For Exact Color Match

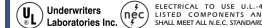
Client Approval/Date: _____

Landlord Approval/Date: _____

Account Rep: **Randy Cearlock**

Project Manager: **S. Maeser**

Drawn By: **K. Singleton**



Project / Location:

TEXAS road house
 7050 WATTS RD.
 MADISON, WISCONSIN, 53719

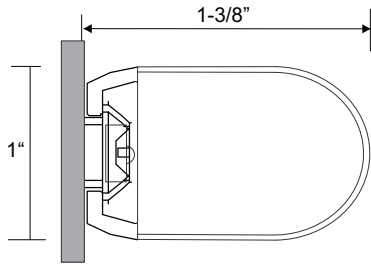
Job Number: **23-64715-10**

Date: **March 5, 2021**

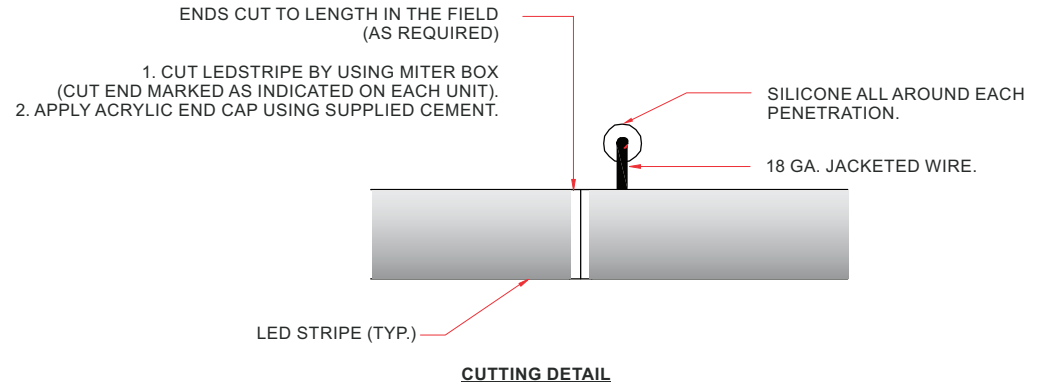
Sheet Number: **6** Of **8**

Design Number: **23-64715-10R1**

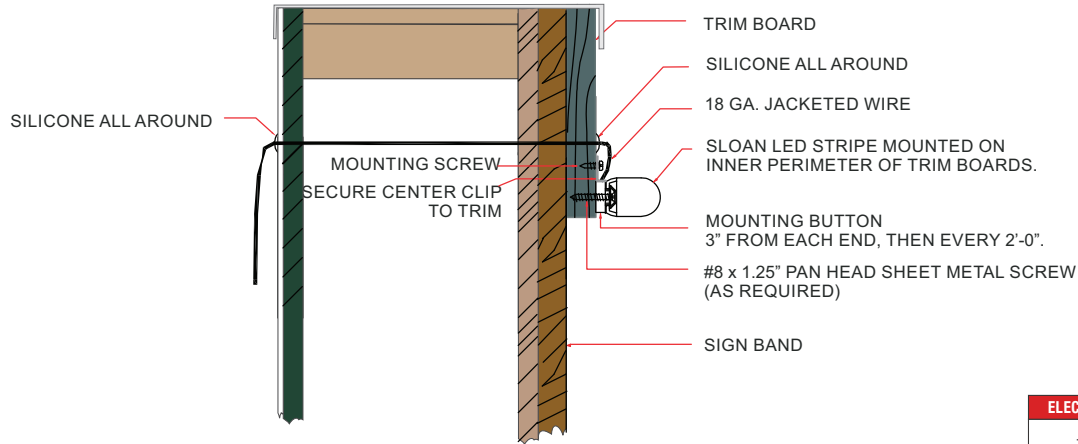
This original drawing is provided as part of a planned project and is not to be exhibited, copied or reproduced without the written permission of Federal Heath Sign Company, LLC or its authorized agent. © 2008



CROSS SECTION (TYP.)



CUTTING DETAIL



CROSS SECTION-MOUNTING DETAIL (TYP.)

ELECTRICAL REQUIREMENTS	
Total: <u>6.0</u> Amps	ALL BRANCH CIRCUITS SHALL BE DEDICATED TO SIGNS (INCLUDING GROUND AND NEUTRAL) AND SHALL NOT BE SHARED WITH OTHER LOADS.
(<u>1</u>) 120V 20A Circuit Required.	

LED ACCENT LIGHTING **D** LEDSTRIP DETAIL

SCOPE OF WORK:

SCALE: NTS

Manufacture and install LED accent lighting on three elevation having remote transformers located in accessible area behind wall. (Transformers shall be mounted in Transformer Box if mounted outside of shelter.)



160 W. Carmel Drive, Suite 236 Carmel, IN 46032
 (317) 581-7790 Fax (317) 581-7783

Manufacturing Facilities:
 Oceanside - Euless - Jacksonville - Columbus
 Office Locations:
 Oceanside - Las Vegas - Laughlin - Idaho Falls
 Euless - Jacksonville - Houston - San Antonio
 Corpus Christi - Grafton - Milwaukee
 Willowbrook - Louisville - Indianapolis - Columbus
 Cincinnati - Westerville - Knoxville - Tunica
 Atlanta - Tampa - Daytona Beach - Winter Park
Building Quality Signage Since 1901

Revisions:
 1/29/21-SM-Revised Sign A: Channel letterset and Sign E: Monument Sign.
 Colors Depicted In This Rendering May Not Match Actual Finished Materials. Refer To Product Samples For Exact Color Match
 Client Approval/Date: _____
 Landlord Approval/Date: _____

Account Rep: **Randy Cearlock**
 Project Manager: **S. Maeser**
 Drawn By: **K. Singleton**
 Underwriters Laboratories Inc. ELECTRICAL TO USE U.L.-48 LISTED COMPONENTS AND SHALL MEET ALL E.L.C. STANDARDS

Project / Location:

 7050 WATTS RD.
 MADISON, WISCONSIN, 53719

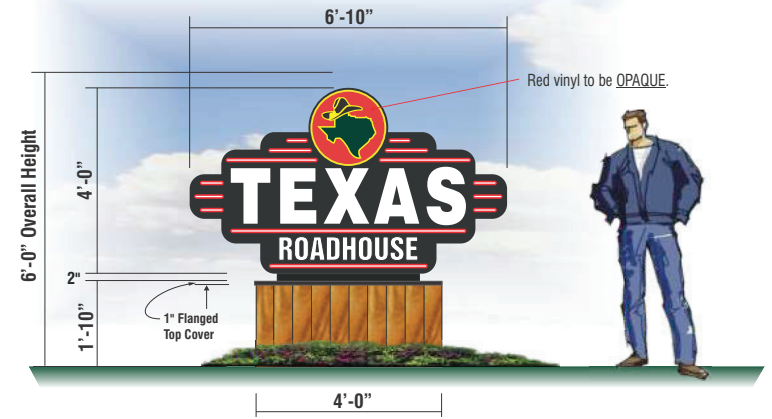
Job Number: **23-64715-10**
 Date: **March 5, 2021**
 Sheet Number: **7** Of **8**
 Design Number: **23-64715-10R1**

This original drawing is provided as part of a planned project and is not to be exhibited, copied or reproduced without the written permission of Federal Heath Sign Company, LLC or its authorized agent. © 2008

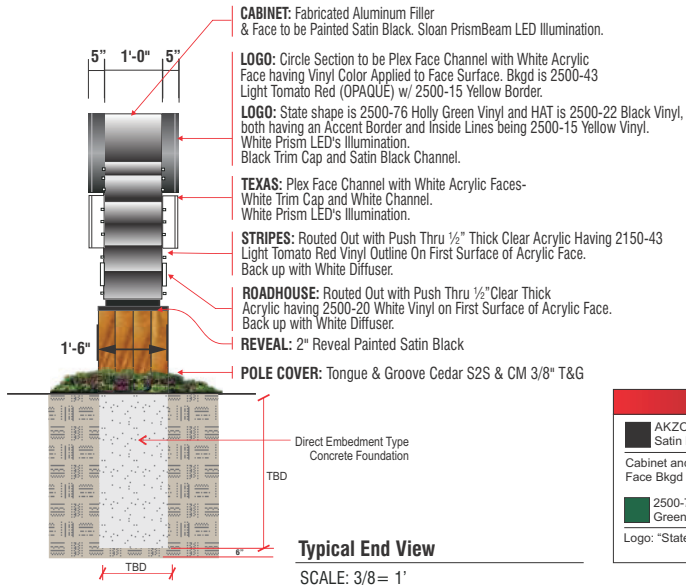
WATTS ROAD WEST BOUND



WATTS ROAD EAST BOUND



SIGN TYPE E DOUBLE SIDED INTERNALLY ILLUMINATED MONUMENT SIGN | ONE (1) REQUIRED | 27.33 SQ.FT.
 SCALE: 3/8" = 1"



STANDARD INSTALL IS TO BE DIRECT PIPE EMBEDMENT INTO CONCRETE FOOTING PER FH ENGINEERING SPECS.

MANUFACTURING WILL PROVIDE A STUB PIPE WITH SIGN CABINETS ONLY IF O.A.H. (CABINET + STUB PIPE) DOES NOT EXCEED 9'-7" MAXIMUM SHIPPING HEIGHT RESTRICTIONS.

ALL SUPPORTING STEEL, INCLUDING STUB PIPE, IF NOT INCLUDED WITH CABINET, TO BE SHIPPED TO INSTALLATION SITE BY AN OUTSIDE SUPPLIER OR BY THE INSTALLATION CONTRACTOR, AS DETERMINED BY PROJECT MANAGEMENT.

NOTE: UPON CUSTOMER ACCEPTANCE, FEDERAL HEATH ENGINEERING DEPARTMENT WILL PROVIDE FABRICATION DRAWINGS & ENGINEERED SEAL DRAWINGS IF REQUIRED. **THIS DRAWING IS FOR PRESENTATION ONLY**

MATERIAL FINISH COLORS		
AKZO Satin Black	2500-20 White Vinyl	2150-43 Light Tomato Red Vinyl
Cabinet and Face Bkgd	Copy	Logo Circle & Stripe Bkgd.
2500-76 Holly Green Vinyl	2500-15 Yellow Vinyl	2500-22 Black Vinyl Applied to Yellow Bkgd.
Logo: "State"	Logo: Circle, Hat & State Border.	Logo: "Hat"

FEDERAL HEATH SIGN COMPANY
 www.FederalHeath.com
 160 W. Carmel Drive, Suite 236 Carmel, IN 46032
 (317) 581-7790 Fax (317) 581-7783

Manufacturing Facilities:
 Oceanside - Eules - Jacksonville - Columbus
 Office Locations:
 Oceanside - Las Vegas - Laughlin - Idaho Falls
 Eules - Jacksonville - Houston - San Antonio
 Corpus Christi - Grafton - Milwaukee
 Willowbrook - Louisville - Indianapolis - Columbus
 Cincinnati - Westerville - Knoxville - Tunica
 Atlanta - Tampa - Daytona Beach - Winter Park

Building Quality Signage Since 1901

Revisions:
 1/29/21-SM-Revised Sign A: Channel letterset and Sign E: Monument Sign.

Colors Depicted In This Rendering May Not Match Actual Finished Materials. Refer To Product Samples For Exact Color Match

Client Approval/Date: _____
 Landlord Approval/Date: _____

Account Rep: **Randy Cearlock**
 Project Manager: **S. Maeser**
 Drawn By: **K. Singleton**

UL Underswriters Laboratories Inc. neta ELECTRICAL TO USE U.L.-48 LISTED COMPONENTS AND SHALL MEET ALL NEC STANDARDS

Project / Location:

7050 WATTS RD. MADISON, WISCONSIN, 53719

Job Number: **23-64715-10**
 Date: **March 5, 2021**
 Sheet Number: **8** Of **8**
 Design Number: **23-64715-10R1**

This original drawing is provided as part of a planned project and is not to be exhibited, copied or reproduced without the written permission of Federal Heath Sign Company, LLC or its authorized agent. © 2008



