

■ PMS 371

■ PMS 383

FONTS:

Meta Bold

Meta Normal

META CAPITALS

Garamond Premier Pro Regular

Garamond Premier Pro Italic

Garamond Premier Pro Semi Bold

Garamond Premier Pro Semi Bold Italic

FRONT SIGN OPTION #1 (*Cornerstone*)



Sample

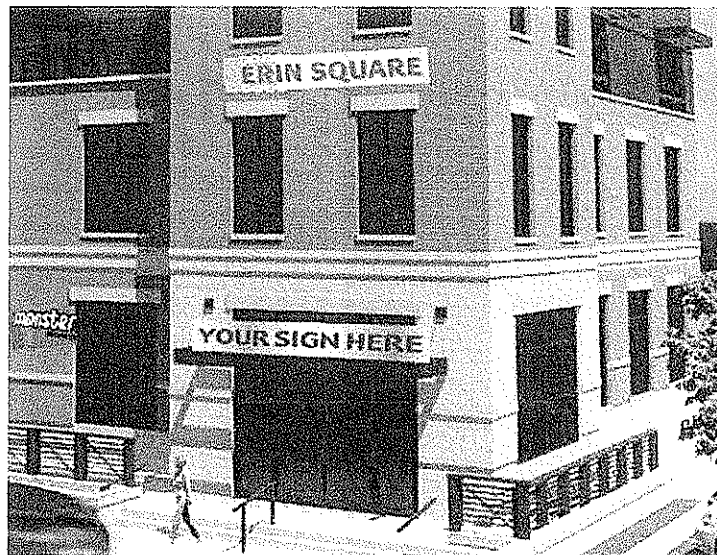
Materials: (2) *Brushed, Engraved and Etched*
Stainless Steel Sign size: *3.75' wide x approx. 3.5' high*
on both sides of corner.

FRONT SIGN OPTION #2 (above awning)



Materials: 3D illuminated halo-illuminated fabricated metal letters.
size: 17' wide x approx. 3.5' high

FRONT SIGN OPTION #3



PROPOSED SIGNAGE FOR ERIN SQUARE

The developers of Erin Square are cognizant of the necessity for providing attractive sign displays that meet the need for adequate business identification, advertising and communication. The signs we are proposing not only accomplish this objective, but their design is compatible with the surroundings and the building to which they are attached.

The sign identifying Erin Square is shown on Exhibit #1. The "sample" is an example of the type of stainless steel that would be used. Exhibit #1 also spells out the PMS colors and fonts for signage for the directory and tenants' signs if they do not have a corporate logo.

Exhibit #2 in the first example provides an alternative location for the Erin Square sign. Should a tenant lease the entire first floor, this would be the location recommended for their corporate sign. An example of the materials and sizes is also shown in the exhibit.

The bottom example in Exhibit #2 shows the sign location for a tenant who might lease the entire second floor.

Exhibit #3 specifies window signage as to size and fonts to be used when lessees do not have corporate logos. When corporate logos are displayed, they must conform to the sizes indicated. Electric signs which conform to these requirements will be allowed on the inside of windows to identify tenants.

An example of a directory sign is shown on Exhibit #3. Size and design will depend on the space available in the lobby. The tenant names may be screen printed or may be designed which utilizes interchangeable lettering.

We feel that our sign recommendations tastefully identify Erin Square and Erin Square's tenants and are compatible with their surroundings.



DESIGN BUILD INC

November 25, 2009

634 W. Main Street
Madison, WI 53703
Office 608-257-1090
Fax 608-257-1092
www.tjkdesignbuild.com

Mr. Brad Murphy
Director of Planning
Department of Planning & Development
City of Madison
215 Martin Luther King Jr. Blvd
PO Box 2985
Madison WI 53701

RE: Letter of Intent
PUD-GDP-SIP
801 South Park Street
Madison WI

Dear Mr. Murphy:

The following is submitted together with the plans, application and zoning text for staff, Plan Commission and Common Council consideration of approval.

Organizational structure:

Owner: Capital Bassett LLC
914 West Shore Drive
Madison WI 53717
608-516-9497
608-257-2858 fax
Contact: Pat McCaughey

Architect: TJK Design Build Inc
634 West Main Street
Madison WI 53703
608-257-1090
608-257-1092 fax
Contact: John J Bieno
jjbien@tjkdesignbuild.com

Engineer: Ken Saiki Design
303 S Paterson Street; Ste 1
Madison WI 53703
608-251-3600
Contact: Ken Saiki

Landscape Design: Ken Saiki Design
303 S Paterson Street; Ste 1
Madison WI 53703
608-251-3600
Contact: Ken Saiki

Introduction:

The proposed site is located on the East end of the 800 block of South Park Street. The site is approximately 16,096 sq ft in size and contains a total of 2 structures. It was formally under the control of a single developer and the deferred maintenance of the structures is extensive.

Urban Design District #7:

The building fronts along Park Street as requested in the design requirement. It is placed three (3) feet from the property line to accommodate the 8' requested sidewalk zone. There are also planters along this edge that are at a height that can be used as a seating area to help enliven the street frontage. The front façade and primary entry both face Park Street. All visible sides of the building are designed with details that compliment the front façade. Details have been provided on both façades accessible to the public that create a more pedestrian scale and character. The main entry to the building also has a covered awning to protect visitors and residents. Green building practices to help with energy efficiency are being incorporated into the design. Including but not limited to a white roof, above average insulation in both wall and roof structures, double pane insulated low-e glass units, sun screens as well as greenery in and around patio areas. The building is four stories in height with a clearly defined base and visual termination to the top. A fifteen foot set-back has been incorporated into the 3rd floor along Park Street and at the 1st floor at the back of the property. Greater than 40% of the street elevation has been devoted to windows because of the office and commercial use of the first 2 floors. These windows will be transparent not colored or tinted. Signage is not part of the submittal; however signage areas have been indicated on the elevation sheets.

Deconstruction:

This proposed development envisions the deconstruction of 2 slab-on-grade structures. This would also include their associated sidewalk and paved areas. Inspections of these properties have been made by the development team. And they have concluded that the structures are beyond the capacity of any reasonable rehabilitation. Additional reports on the structures existing condition will be prepared for distribution to the staff and Plan Commission. The developer will contract to prepare a recycling and reuse plan for the buildings and the components and materials will be handled appropriately. Although the zoning code clearly encourages the preservation of existing structures the zoning codes purpose also includes promoting the general welfare of the city, encouraging the most appropriate land uses and conserving and enhancing the taxable value of lands and buildings. We believe that the Plan Commission can determine that the demolition standards are met.

Project Description:

The site under consideration for this PUD-GDP-SIP is on the near South side of Madison along a main gateway into the city. It is bordered on the West by a recently completed St Mary's hospital redevelopment, to the East are single family residences, to the North is an alley and residential development and to the South is a string of commercial buildings. The building is situated on the NW corner of the lot for several reasons. First, by placing the building at this location it allowed us the most flexibility with respect to commercial development to the South. This positioning means that we can share parking or at least create a buffer between what happens in that direction. Second it will allow us to strike a balance between maximizing the potential of the lot for building and site amenities. Finally by placing the building at this location it allowed us the greatest level of comfort with respect to the physical restraint of the site. Including but not limited to: maximizing distances from the intersection to the curb cut, alleviate potential visibility concerns for the neighborhood, create the best view corridors of the building, encourage an anchoring of

the intersection of Erin Street and Park Street. Although the building itself is fairly rectilinear in nature, the gentle curve of Park Street was incorporated by designing walls that parallel it into planters and seating areas.

The façade of the building is softened, and public places energized, with natural botanicals. This infusion of plantings into the hard-scapes is carried further with the introduction of a large U-shaped planter on the back of the building. This planter helps to buffer a commercial patio space from the neighboring houses. This planter naturally creates some distance between the patio space and the neighbors, as well as helping to soften views to the structure from the neighborhood itself. Landscaping is used extensively to help soften the parking lot area from the neighboring properties. It is also utilized in order to help enhance view corridors from the North. The landscape design will be integrated with the civil engineering to create a harmonious and seamless aesthetic. The design and material mix of the project have been done to enhance and compliment the neighborhood.

The building possesses a strong base, middle and cap with materials reflecting a change in the use between commercial and residential areas. Some of the materials proposed to be used on the building are: stone and masonry, a custom metal and cedar decorative railing system, cement board and battens, stucco features in a complimentary color and a sloped roof form and canopy to define the entry and main circulation space. Windows have been incorporated in a manner to accent the scale and palette of the building. The windows become smaller with greater detail as the structure increases in height.

The development group has worked to answer as many of the requests and concerns of the neighborhood as possible. We have met with them on several occasions as well as keeping communication lines open with the Alder thru out the process.

Project Schedule:

It is anticipated that construction of the SIP phase will start in the early spring of 2010 and will be completed in the fall of 2010.

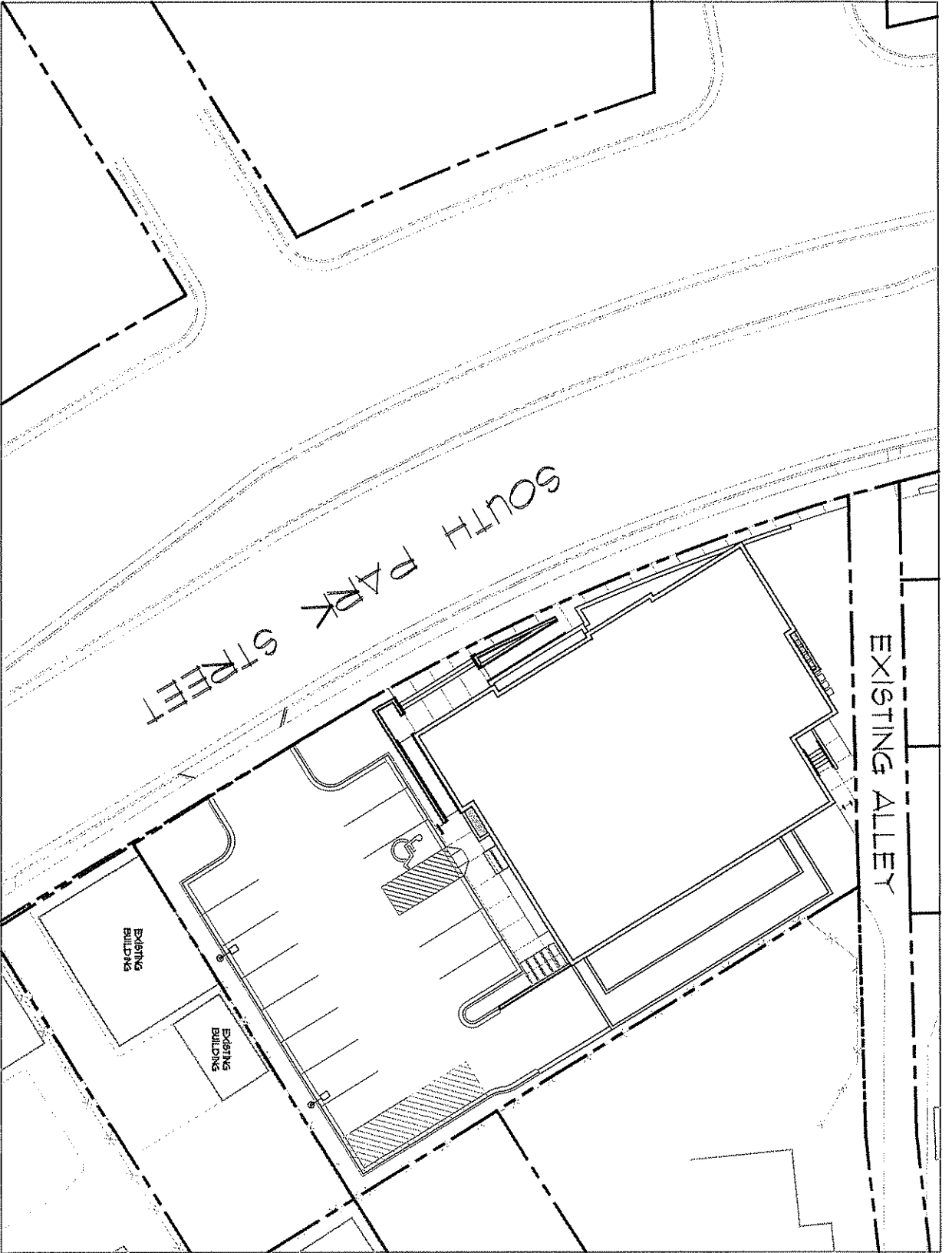
Social and Economic Impact:

This development will have a positive social and economic impact. The development will substantially increase the city's tax base on an infill site with minimal if any increased cost to the city. The redevelopment will provided new work-force housing in the central city while promoting pedestrian, bicycle and mass transit circulation.

Thank you for your time in reviewing our proposal.

Sincerely,

John J Bieno, AIA
TJK Design Build Inc



SITE PLAN

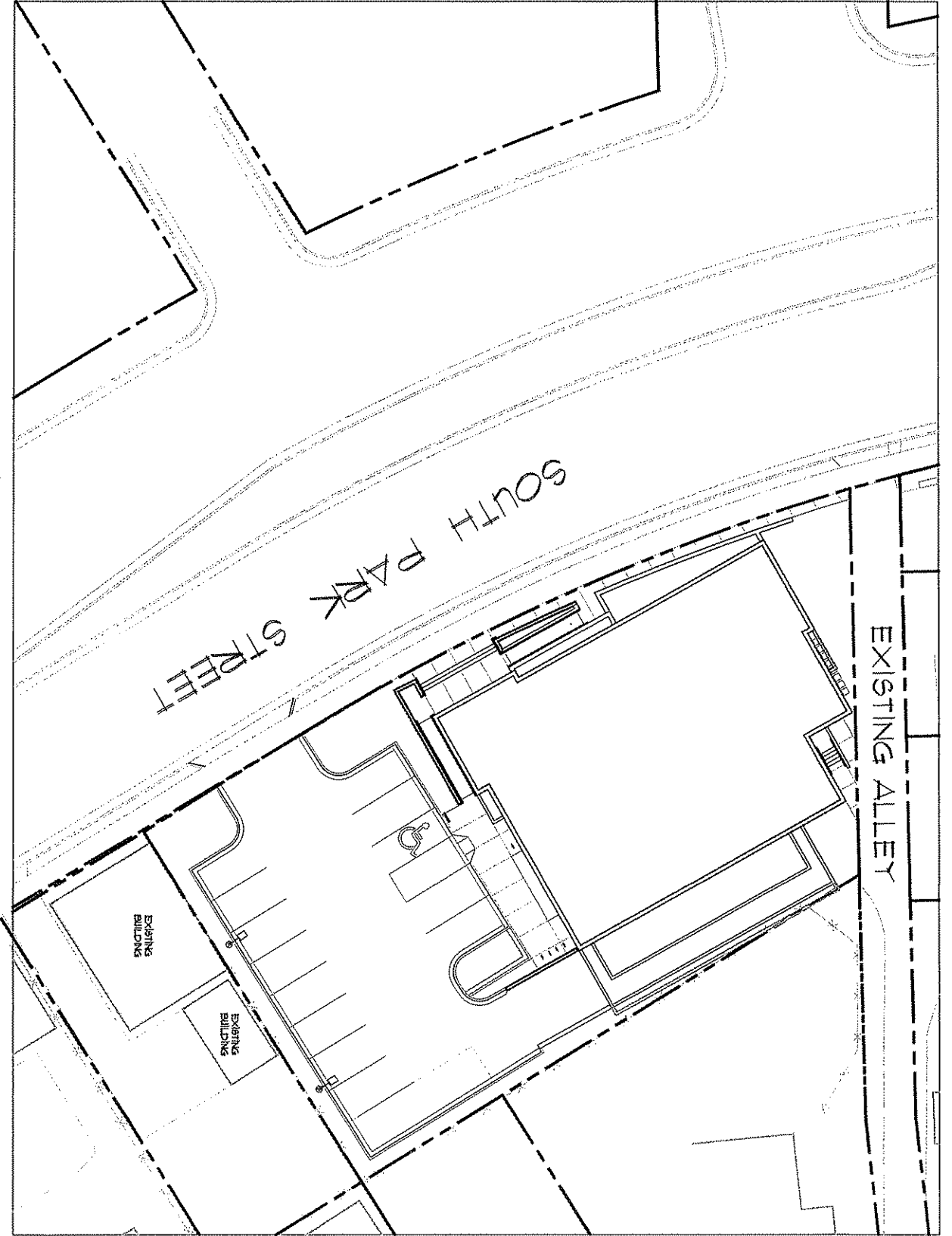
NO SCALE



SCALE 1" = 20'-0"



NORTH



SITE PLAN

NO SCALE



RECEIVED

OCT 13 2009

Monona Bay Neighborhood Association

TJK DESIGN BUILD INC.

Minutes of the Board Meeting of September 8, 2009

Present: Mary Berryman Agard, Jody Derr, ~~Brian Bond~~, Dorothy Allen, Pete Taglia, Sharon Fallon

Margaret Fagerholm, Mark Ehrlich, Odvar Klovrud, Teddy Zehner, Seth Nicholson, Timothy Kritter and Jon Moore (TJK Design), Pat McCaughey, Mike?

Actions

1. Minutes of the August meeting approved.
2. Financial report approved.

Information items

1. Aaron still working on newsletter; wants volunteers for a fall lit drop to distribute it. Sharon and Jody will do lit drop.
2. Neighborhood Nation website down until further notice. MBNA will need another protocol for distributing minutes.
3. Presentation regarding proposed development at Park Street Typewriter Building (801 S. Park). Proposed building is four story building. Floors one and two to be commercial, anticipated tenants to be St. Mary's related commercial/professional tenants. Top stories proposed residential (12 1 bedroom units). Anticipated tenants are older students and single professionals. A five stop elevator serving all floors and the underground parking is proposed.

While the developer is not seeking LEED certification, they are planning to use recycled materials and sun orientations, and an insulated roof that are environmentally beneficial. Building mechanicals, however, will not conform to LEED standards.

Stormwater management plans for the facility will mature over the next 30 days. At present, the proposed use has 15% more open ground than the current 100% asphalt approach.

The developer will seek PUD zoning from the city.

Underground residential parking is proposed but city is discouraging this approach because of water table. At grade commercial parking (16 spaces) is proposed. Access to the underground parking is proposed from the alley.

The building rear, which abuts backyards for West Shore residents will have a landscape buffer and greenspace. The streetscape, plaza and raised first floor will mimic St. Mary's frontscape but at a smaller scale. Current designs call for a stepping back of floor from the street level and a concomitant progression of design materials from a rusticated floor one to brick and then wood treatments on residential levels.

Seth expressed concerns about traffic in the alley which is wide enough only for one vehicle at a time. Two way traffic would not flow. He would prefer that the alley be abandoned from the proposed access drive to West Shore, converting that portion of the alley to a footpath. TJK said this would depend on city approvals, but they don't really care one way or the other.

Others also expressed concerns about the alley use, and the developer agreed to explore creating a plan that relies only on a Park Street entry to the facility.

Seth also expressed privacy concerns given that rear of building tenants will be able to see into his backyard. He is also concerned about trash and noise that might discommode him. TJK agreed to provide rear elevations within one week, as these were not available at present.

Tim Kritter asked that the minutes be forwarded to him.

Aaron requested a follow up meeting to continue discussing the project. The developers agreed to a continuing conversation and stated that a fixed timeline for the project does not yet exist. Soil borings, site plans, civil engineering determinations, stormwater management, and aesthetic are still in flux. Spring 2010 might be a rough target for a construction start date.

Minutes

Monona Bay Neighborhood Association October 13, 2009

Board Members Present: Mary Berryman Agard, Brendan O'Donnell, Dorothy Allen, Aaron Crandall, Brian Gould, Peter Taglia, Jody Derr, Sharon Fallon

Meeting Called to order: 6:30 pm.

- I. An update of the project proposed for 801 S. Park Street was presented by Patrick McCaughey and the project architect. They reviewed revised plans in reaction to their previous presentation before the board. Numerous questions were asked by the board. Following this discussion there was a generally favorable review of the project by the Board.
- II. Treasurers report: Dorothy Allen indicated that there were no significant issues concerning the MBNA finances. Brendan O'Donnell started a discussion whether the MBNA should institute a \$10 individual membership option. It was decided that this proposal will be brought before the board in the future for further discussion and a decision.
- III. Brendan O'Donnell proposed that the meeting for December be cancelled. After discussion this proposal was passed.
- IV. Brendan O'Donnell proposed that meeting minutes be returned to the chair within 7 days of the meeting and distributed to MBNA members within 10 days. After discussion, this proposal was passed.
- V. Aaron Crandall reviewed his discussion with the State Journal reporter who authored an article on the status of Madison's neighborhood and neighborhood associations.
- VI. Brendan O'Donnell reviewed the October Monona Bay cleanup effort. 43 persons participated with 37 bags of trash collected. It was also noted that there continues to be a need for trash cans in the park.
- VII. A discussion was undertaken regarding inconsistent "No Drinking in the Park" signage. Brendan O'Donnell will be contacting the park department concerning this issue.
- VIII. The board reviewed the status of the curb project on Proudfit Street. It was decided that Peter Taglia will draft a letter to City Engineering commending them for the successful completion of the project in a timely manner and being consistent with the final project proposal.

IX. Old Business: With recent city budget formulations, it was decided that Brendan O'Donnell will contact Julia Kerr concerning the schedule of repaving on South Brittingham Pl., West Brittingham Pl., Rodney Ct, Clark Ct., and West Main St.

Meeting Adjourned @ 8:00 pm.

DESCRIPTION

ICON's gentle curves and sleek profile create a shape that is beyond common. Two (2) unique arm choices combined with structural element options and multiple housing sizes provide no limitations in bridging to the architectural application.

Catalog #	ICM-250-MH-208-45-	Type	B2-HS
Project	BOI S. PARK ST.	A	
Comments			
Prepared by		Date	12.23.09

SPECIFICATION FEATURES

A--Housing

Heavy wall, die-cast aluminum housing maintains a nominal .125 wall thickness for precise tolerance control and repeatability in manufacturing.

B--Door

Heavy wall, die-cast aluminum door maintains a nominal .125 wall thickness. Continuous silicone gasketing provides an IP65 fixture rating. Toolless entry to housing is provided via two (2) recess mounted button style latches. Captive hinging is fully concealed.

C--Lens

Impact-resistant 1/8" thick tempered clear or optional frosted flat glass for concealment of lamp image.

D--Optical Systems

Choice of five (5) high efficiency segmented optical systems constructed of premium 95% reflective anodized aluminum sheet. Optical segments are rigidly mounted inside a thick gauge aluminum housing for superior protection. All segment faces are clean of rivet heads, tabs, or other means of attachment which may cause streaking in the light distribution.

All reflector modules feature toolless removal, quick disconnect wiring plugs, and are toolless field rotatable in 90° increments. Medium housing (ICM) optics feature mogul-base lampholders for HID lamp sources.

E--Upsweep Arm

Manufactured of heavy wall cast aluminum. Internal bolts guides provided for positioning arm to housing and pole.

F--Linear Arm

Manufactured of heavy wall extruded aluminum. Arm features internal bolt guides for positioning arm to housing and pole.

G--Suspension Mount

Die-cast aluminum cleat factory mounted and finished in luminaire color. Stainless steel structural rod measures 1/2" in diameter and is provided in luminaire finish or optional natural finish. Product functions in conjunction with linear arm. INVUE poles provided pre-drilled for suspension mount applications. See INVUE pole brochure for complete selection of matching poles.

H--Suspension Wall Mount

Die-cast aluminum cleat factory mounted to luminaire and finished in luminaire color. Stainless steel structural rod measures 1/2" in diameter and is provided in luminaire finish or optional natural finish. Wall bracket works in conjunction with linear arm.

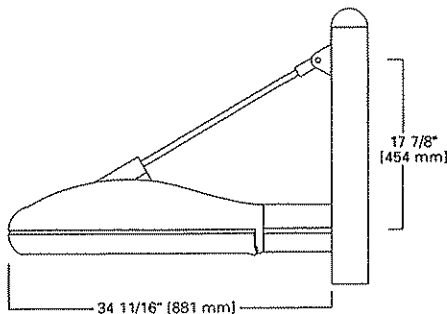
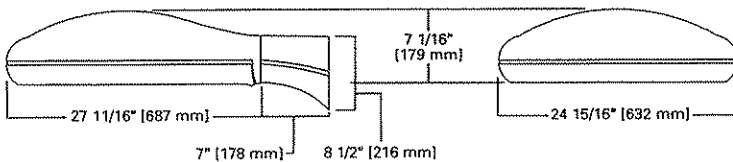
I--Electrical Tray

Ballast and related electrical components are mounted to a reinforced one piece toolless release power tray. Electrical quick disconnects allow tray to be completely removed from housing providing ample hand and tool room for attachment of luminaire during installation.

J--Finish

Housing and arm finished in a 5 stage premium TGIC polyester powder coat paint, 2.5 mil nominal thickness for superior protection against fade and wear. Standard colors include black, bronze, grey, white, dark platinum, and graphite metallic. RAL and custom color matches available. Consult your INVUE Lighting Systems Representative for more information.

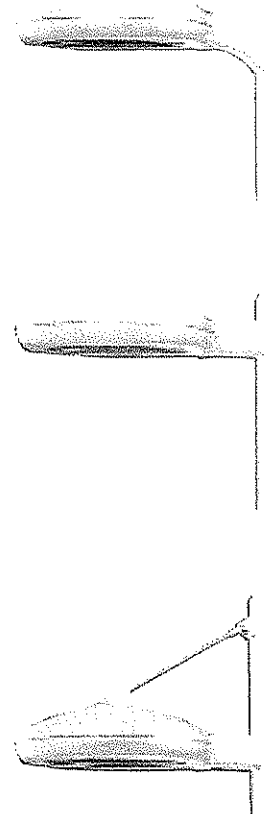
DIMENSIONS



Wattage Table	
ICM	
Metal Halide	175, 250, 400W
Pulse Start Metal Halide	250, 320, 350, 400W
High Pressure Sodium	150, 250, 400W
Compact Fluorescent	(2) 57, (2) 70W

Certifications

IP65 Rated	U.L. 1598 Listed	2G Vibration Tested	FCO Full Cutoff
CSA Listed	25°C Ambient	ISO 9001	



ICM ICON SITE MEDIUM

114-400W

Metal Halide
Pulse Start Metal Halide
High Pressure Sodium
Compact Fluorescent

ARCHITECTURAL
AREA LUMINAIRE



SHIPPING DATA (approx.)
Net Weight (lbs.): 53
Volume (cu. ft): 4.00

ORDERING INFORMATION

SAMPLE NUMBER: ICM-400-MH-MT-3S-BK-PRCPS-L

<p>Product Family ICM=ICON Site Medium</p> <p>Lamp Wattage HID 150=150W 175=175W 250=250W 320=320W² 350=350W² 400=400W² Compact Fluorescent 114=(2) 57W² 140=(2) 70W²</p>	<p>Lamp Type MH=Metal Halide MP=Pulse Start Metal Halide HPS=High Pressure Sodium CF=Compact Fluorescent²</p> <p>Voltage⁷ 120=120V 208=208V 240=240V 277=277V 347=347V 480=480V DT=Dual-Tap wired 277V⁸ MT=Multi-Tap wired 277V⁸ TT=Triple-Tap wired 347V⁸</p>	<p>Distribution 2S=Type II 3S=Type III 4S=Type IV 5S=Type V SL=Forward Throw Split Light Eliminator</p> <p>Colors (add as suffix/must specify)⁹ BK=Black AP=Grey BZ=Bronze WH=White DP=Dark Platinum GM=Graphite Metallic</p>	<p>Structural Options Pole Mount PRCPS=Strut Rod and Clevis Set for Square Poles (Painted to match fixture, does not include arm)¹⁰ PRCSS=Stainless Steel Strut Rod and Clevis Set for Square Poles (Clevis painted to match fixture, does not include arm)¹⁰ PRCPR=Strut Rod and Clevis Set for Round Poles (Painted to match fixture, does not include arm)¹⁰ PRCSR=Stainless Steel Strut Rod and Clevis Set for Round Poles (Clevis painted to match fixture, does not include arm)¹⁰ Wall Mount WRCP=Strut Rod and Clevis Set (Painted to match fixture, does not include arm)¹⁰ WRCS=Stainless Steel Strut Rod and Clevis Set (Clevis painted to match fixture, does not include arm)¹⁰</p>	<p>Options (add as suffix) F=Single Fuse (120, 277, or 347V) Specify Voltage FF=Double Fuse (208, 240 or 480V) Specify Voltage Q=Quartz Restrike¹³ EM=Quartz Restrike with Delay (Also Strikes at Cold Start)¹³ EM/SC=Quartz Emergency Separate Circuit¹³ R=NEMA Twistlock Photocell Receptacle¹⁴ PC=Button Type Photocontrol (Specify Voltage) DS=Dual Fluorescent Switching Control¹⁵ HS=House Side Shield¹⁶ FL=Lamp Included</p>	<p>Accessories (order separately/replace XX with color suffix) VA1003-XX=Wall Mount Kit with Upsweep Arm¹⁷ VA1004-XX=Wall Mount Kit with Linear Arm¹⁷ VA1011-XX=Upsweep Arm for Square Pole VA1012-XX=Upsweep Arm for Round Pole VA1014-XX=Linear Arm for Square Pole VA1015-XX=Linear Arm for Round Pole QA/RA1016=NEMA Photocontrol—Multi-Tap QA/RA1027=NEMA Photocontrol—480V QA/RA1201=NEMA Photocontrol—Multi-Tap (347V) VA1018-XX= Mast Arm Adapter Kit VA1033-XX=Single Arm Tenon Adapter for 2 3/8" O.D. Tenon VA1034-XX=2 @180° Tenon Adapter for 2 3/8" O.D. Tenon VA1035-XX=3 @120° Tenon Adapter for 2 3/8" O.D. Tenon VA1036-XX=4 @90° Tenon Adapter for 2 3/8" O.D. Tenon VA1037-XX=2 @90° Tenon Adapter for 2 3/8" O.D. Tenon VA1038-XX=3 @90° Tenon Adapter for 2 3/8" O.D. Tenon VA1039-XX=2 @120° Tenon Adapter for 2 3/8" O.D. Tenon VA1040-XX=Single Arm Tenon Adapter for 3 1/2" O.D. Tenon VA1041-XX=2 @180° Tenon Adapter for 3 1/2" O.D. Tenon VA1042-XX=3 @120° Tenon Adapter for 3 1/2" O.D. Tenon VA1043-XX=4 @90° Tenon Adapter for 3 1/2" O.D. Tenon VA1044-XX=2 @90° Tenon Adapter for 3 1/2" O.D. Tenon VA1045-XX=3 @90° Tenon Adapter for 3 1/2" O.D. Tenon VA1046-XX=2 @120° Tenon Adapter for 3 1/2" O.D. Tenon</p>
--	---	--	---	--	--

NOTE: 1 Arm not included. See accessories.

2 All HID lamps are mogul-base.

3 320 and 350W Pulse Start Metal Halide lamps only.

4 400W MH requires reduced envelope ED28 Lamp.

5 Dual 57 and 70W Compact Fluorescent lamp options available in Type 4S distribution only.

6 Compact Fluorescent ballasts contain internal fusing. No supplemental fusing is necessary. CF ballasts are 120 through 277V.

7 Products also available in non-US voltages and 50Hz for international markets. Consult factory for availability and ordering information.

8 Dual-Tap is 120/277V wired 277V. Multi-Tap is 120/208/240/277V wired 277V. Triple-Tap ballast is 120/277/347V wired 347V.

9 Custom and RAL color matching available upon request. Consult your InVue Lighting Systems Representative for further information.

10 Square pole mount structural options do not include arm assembly (See Accessories) Compatible with VA1014 linear arm only.

11 Round pole mount structural options do not include arm assembly (See Accessories) Compatible with VA1015 linear arm only.

12 Wall mount structural options do not include arm assembly (See Accessories) Compatible with VA1014 linear arm only.

13 Quartz options not available with SL optics.

14 NEMA photocell receptacle not available in conjunction with structural options.

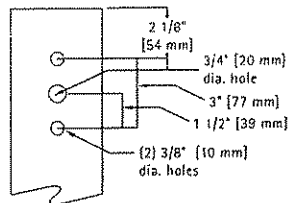
15 Dual switching requires dual 57W or dual 70W Compact Fluorescent lamps, and allows independent switching control of each lamp through use of two (2) electronic ballasts. Allows 50% power reduction when dual ballasts are independently wired and controlled.

16 House side shield not available on 5S and SL optics.

17 For use in down lighting applications only.

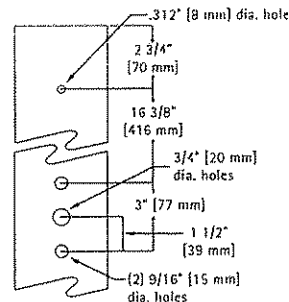
DRILLING PATTERNS

(TYPE "C")

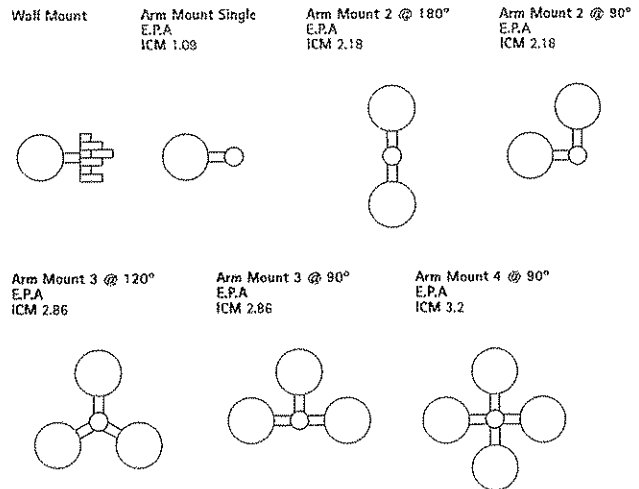


(TYPE "K")

Suspension Mount

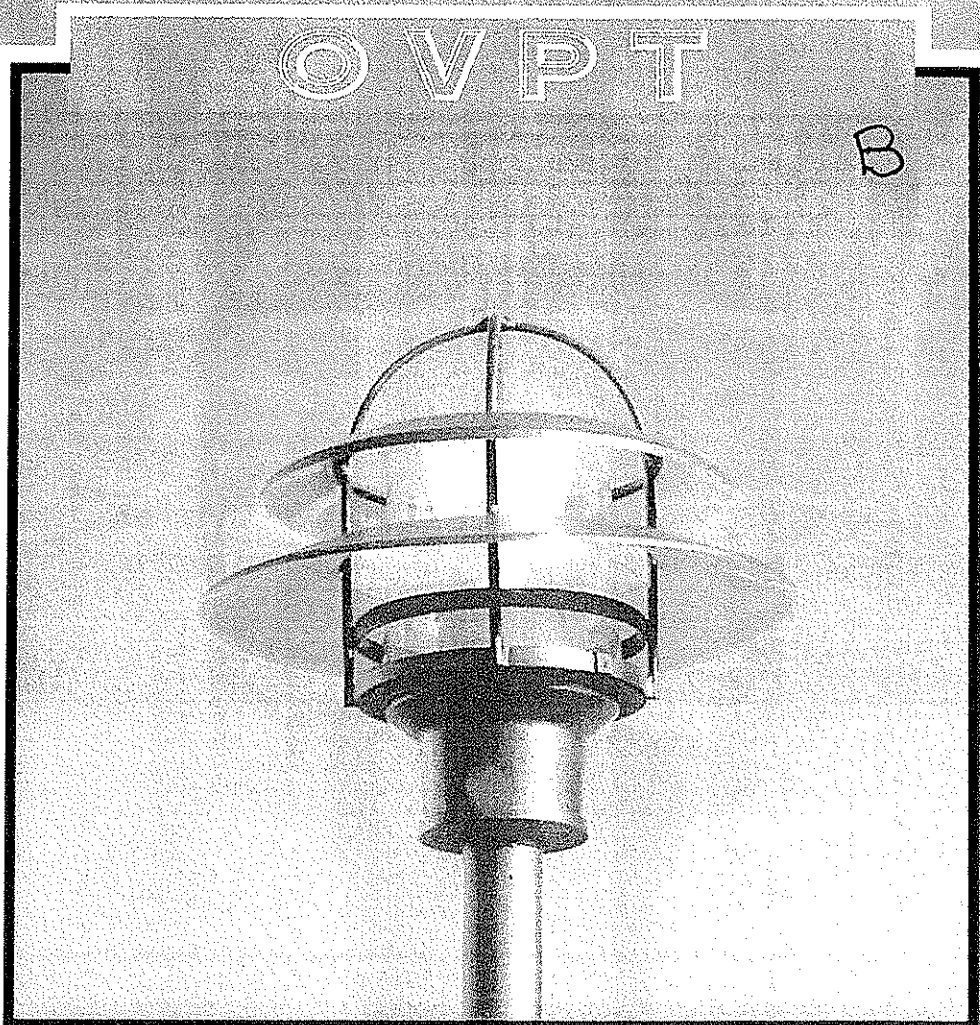
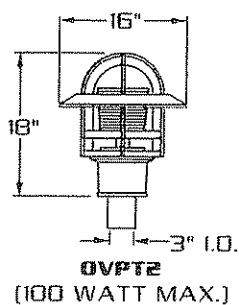
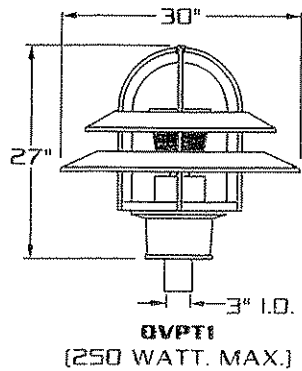


MOUNTING VARIATIONS

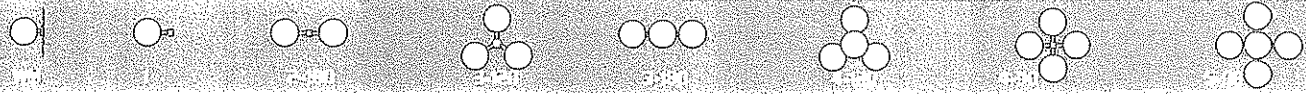


OVPT

B



E.P.A. OVPT1- 1.74
OVPT2- 0.73



SPECIFICATIONS

LUMINAIRE: HOUSING AND DECORATIVE CASE - DURABLE CORROSION RESISTANT CAST ALUMINUM CONSTRUCTION. ASSEMBLY SEALED WITH NEOPRENE GASKET.

REFLECTOR: HEAVY WALL SPUN ALUMINUM CONSTRUCTION. BOTTOM SIDE FINISHED WITH HIGH GLOSS WHITE ENAMEL FOR MAXIMUM REFLECTIVITY.

OPTICS: ONE PIECE CLEAR POLYCARBONATE LENS ENCASES CLEAR PRISMATIC GLASS REFRACTOR. TYPE III OR TYPE V LIGHT DISTRIBUTION.

LAMP HOLDER: MEDIUM OR MOGUL BASE PORCELAIN.

LAMP: (BY OTHERS)

BALLAST: H.P.F./C.W.A. AUTOTRANSFORMER. -20° STARTING TEMPERATURE. ELECTRICAL COMPONENTS ARE MOUNTED TO A REMOVABLE BALLAST TRAY. BALLAST IS EQUIPPED WITH FACTORY INSTALLED QUICK DISCONNECT PLUG.

FINISH: POLYESTER POWDER COAT-STATE OF THE ART 20 PSI PRESSURE POWER WASH AT 140° TEMPERATURE INCORPORATES FOUR STEP IRON PHOSPHATE PROCESS TO CLEANSE AND PRETREAT THE METAL SURFACE FOR MAXIMUM PAINT ADHESION. ELECTROSTATICALLY APPLIED TEXTURED POLYESTER POWDER TOPCOAT IS BAKED AT 400° TEMPERATURE FOR MAXIMUM HARDNESS AND EXTERIOR DURABILITY.



OPTICS

INTERNAL LOUVER



IL

PRISMATIC GLASS REFRACTOR
TYPE III
TYPE V



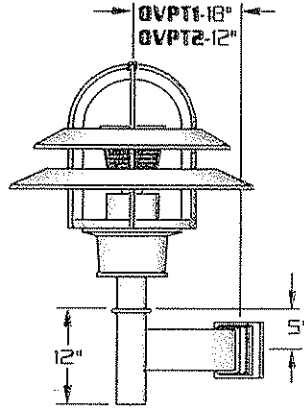
PG-III
PG-V

HEAT SHIELD



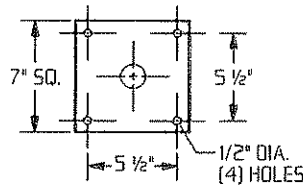
HT

WALL MOUNT

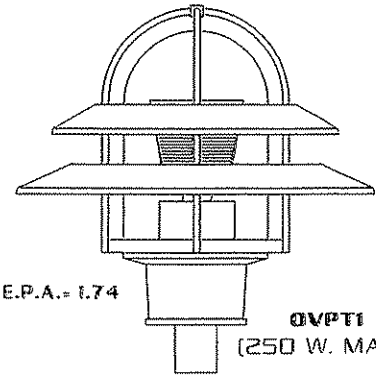


EXTRUDED ALUMINUM ARM AND CAST ALUMINUM WALL BRACKET ASSEMBLY PROVIDED WITH BUILT IN GASKETED WIRE ACCESS FOR FIXTURE/SUPPLY WIRE CONNECTION.

WALL PLATE

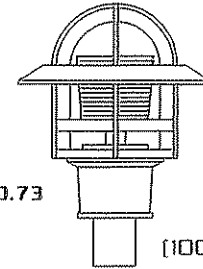


LAMP SIZE:
50 - 250 WATT



E.P.A. = 1.74

OVPT1
(250 W. MAX.)



E.P.A. = 0.73

OVPT2
(100 W. MAX.)

CORROSION RESISTANT, DURABLE
CAST ALUMINUM.

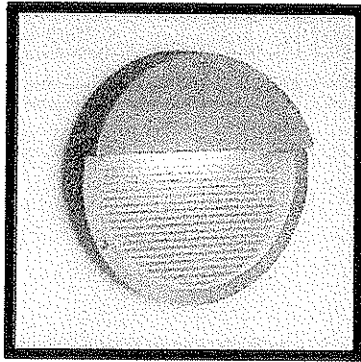
POLYCARBONATE LENS.

SYMMETRIC OR ASYMMETRIC
LIGHT DISTRIBUTION.

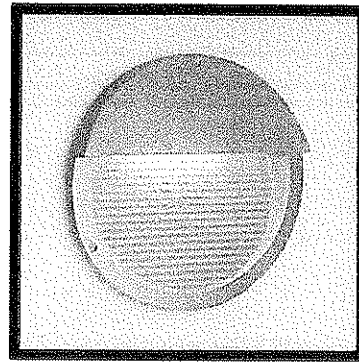
MODEL NO. :	OPTICS	WATTAGE TYPE VOLTAGE	MOUNTING	FINISH	OPTIONS
OVPT	WP-IL	50 MH 277	WM	DBZ	SF

MODEL NO. :	OPTICS	LAMP	MOUNTING	FINISH	OPTIONS
O V P T	STANDARD: <input type="checkbox"/> CLEAR POLYCARBONATE ... CP STANDARD SUPPLIED WITH PRISMATIC GLASS REFRACTOR <input type="checkbox"/> TYPE III PG-III <input type="checkbox"/> TYPE V PG-V SPECIFY AFTER DIFFUSER OPTION (EX: CP-PG-III) DIFFUSER OPTIONS: <input type="checkbox"/> CLEAR ACRYLIC CA <input type="checkbox"/> OPAL ACRYLIC WA <input checked="" type="checkbox"/> OPAL POLYCARBONATE ... WP <input type="checkbox"/> FROSTED TEMPERED GLASS (OV1 ONLY) .FG PRISMATIC GLASS REFRACTOR <input type="checkbox"/> TYPE III PG-III <input type="checkbox"/> TYPE V PG-V SPECIFY AFTER DIFFUSER OPTION (EX: CA-PG-III) <input checked="" type="checkbox"/> INTERNAL LOUVER .IL SPECIFY AFTER DIFFUSER OPTION (EX: CA-IL)	WATTAGE TYPE VOLTAGE <input type="checkbox"/> 250 <input type="checkbox"/> HPS <input type="checkbox"/> 120 <input type="checkbox"/> 175 <input checked="" type="checkbox"/> MH <input type="checkbox"/> 208 <input type="checkbox"/> 150 <input type="checkbox"/> MV <input type="checkbox"/> 240 <input type="checkbox"/> 100 <input checked="" type="checkbox"/> 277 <input type="checkbox"/> 75 <input type="checkbox"/> 480 <input type="checkbox"/> 70 <input type="checkbox"/> MT <input checked="" type="checkbox"/> 50	<input type="checkbox"/> PT ● <input checked="" type="checkbox"/> WM ●	STANDARD TEXTURED FINISH <input type="checkbox"/> BLACK RAL-9005-T <input type="checkbox"/> WHITE RAL-9003-T <input type="checkbox"/> GREY RAL-7004-T <input checked="" type="checkbox"/> DRK BRONZE RAL-8019-T <input type="checkbox"/> GREEN RAL-6005-T FOR SMOOTH FINISH REMOVE SUFFIX -T (EXAMPLE: RAL-6500) SEE WEBSITE FOR ADDITIONAL COLORS	<input type="checkbox"/> HEAT SHIELD HT <input type="checkbox"/> HOUSE SIDE SHIELD 90° HS 90° 135° HS 135° 180° HS 180° <input type="checkbox"/> PHOTO CELL + VOLTAGE (EXAMPLE: PC120V) PC+V <input checked="" type="checkbox"/> SINGLE FUSE (120V., 277V) SF <input type="checkbox"/> DOUBLE FUSE (208V., 240V) DF
	250 W. REQUIRES FROSTED TEMPERED GLASS DIFFUSER SEE ARM SECTION FOR ADDITIONAL ARMS				

ZO SERIES



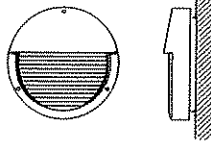
SURFACE



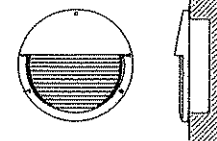
RECESSED

C

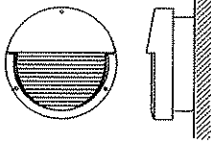
3051 & 3052



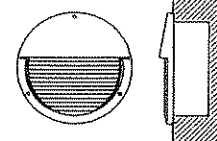
3081 & 3082



3061 & 3062



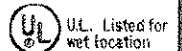
3091 & 3092



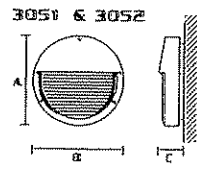
iGuzzini design

SPECIFICATIONS

- HOUSING:** ONE PIECE HEAVY WALL ALUMINUM CONSTRUCTION. RECESSED HOUSINGS ARE SUITABLE FOR POURED CONCRETE CONSTRUCTION.
- DOOR FRAME:** CORROSION RESISTANT. PRECISE CAST ALUMINUM CONSTRUCTION WITH INTEGRAL STEPPED CAST ALUMINUM FACE.
- OPTICS:** SPECULAR ALUMINUM REFLECTOR COMBINES WITH CLEAR TEMPERED GLASS LENS AND STEPPED FACE TO EVENLY DISTRIBUTE ILLUMINATION AND CONTROL BRIGHTNESS WHILE CONCEALING LAMP SOURCE.
- GASKETING:** CLOSED CELL SILICONE GASKET COMPLETELY SEALS DOOR AND HOUSING ASSEMBLY.
- LAMP HOLDER:** HID- MEDIUM BASE PORCELAIN.
FLUORESCENT- SINGLE ENDED BASE FOR 4-PIN COMPACT FLUORESCENT LAMP.
- LAMP:** (BY OTHERS)
- BALLAST:** HID- H.P.F./C.W.A. AUTOTRANSFORMER. -20° STARTING TEMPERATURE.
FLUORESCENT- RAPID START, H.P.F. -20° STARTING TEMPERATURE.
- MOUNTING:** LUMINAIRE DESIGNED FOR SURFACE AND RECESSED APPLICATION.
- FINISH:** POLYESTER POWDER COAT-STATE OF THE ART 20 PSI PRESSURE POWER WASH AT 140° TEMPERATURE INCORPORATES FOUR STEP IRON PHOSPHATE PROCESS TO CLEANSE AND PRETREAT THE METAL SURFACE FOR MAXIMUM PAINT ADHESION. ELECTROSTATICALLY APPLIED TEXTURED POLYESTER POWDER TOPCOAT IS BAKED AT 400° TEMPERATURE FOR MAXIMUM HARDNESS AND EXTERIOR DURABILITY.

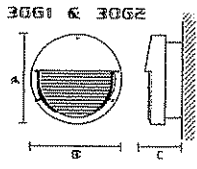


SURFACE MOUNT
FLUORESCENT
AND
INCANDESCENT



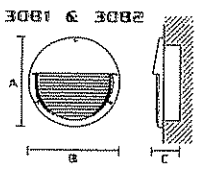
CATALOG NUMBER	RECESSED OPENING	DIMENSIONS "		
		A	B	C
3052	N/A	10 7/8"	10 7/8"	3 7/8"
3051	N/A	14"	14"	4 1/8"

SURFACE MOUNT
H.I.D.



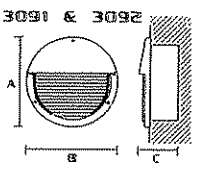
3062	N/A	10 7/8"	10 7/8"	5 5/8"
3061	N/A	14"	14"	5 7/8"

RECESSED
FLUORESCENT
AND
INCANDESCENT



3082	9 1/2" Ø X 1 7/8"	10 7/8"	10 7/8"	3 7/8"
3081	12 5/8" Ø X 2"	14"	14"	4 1/8"

RECESSED
H.I.D.



3092	9 1/2" Ø X 3 5/8"	10 7/8"	10 7/8"	5 5/8"
3091	12 5/8" Ø X 3 3/4"	14"	14"	5 7/8"

ORDERING INFORMATION

MODEL NO. :	WATTAGE	TYPE	VOLTAGE	FINISH	OPTIONS
3062	50	MH	277	DBZ	SF

MODEL NO. :	LAMP			FINISH	OPTIONS
MAXIMUM WATTAGE	WATTAGE	TYPE	VOLTAGE	STANDARD TEXTURED FINISH	
<input type="checkbox"/> 3052 60 W. INC 13 W. PL (PL-C LAMP)	<input type="checkbox"/> 100	<input type="checkbox"/> HPS	<input type="checkbox"/> 120	<input type="checkbox"/> BLACK RAL-9005-T	<input type="checkbox"/> QUARTZ STANDBY (14" DIA. H.I.D. UNITS ONLY). QTZ
<input type="checkbox"/> 3051 (2) 42 W. PL (PL-T LAMP)	<input type="checkbox"/> 75	<input checked="" type="checkbox"/> MH	<input type="checkbox"/> 208	<input type="checkbox"/> WHITE RAL-9009-T	<input checked="" type="checkbox"/> SINGLE FUSE (120V. , 277V) SF
<input checked="" type="checkbox"/> 3062 50 W. - H.I.D.	<input type="checkbox"/> 70	<input type="checkbox"/> MV	<input type="checkbox"/> 240	<input type="checkbox"/> GREY RAL-7004-T	<input type="checkbox"/> DOUBLE FUSE (208V. , 240V) DF
<input type="checkbox"/> 3061 100 W. - H.I.D.	<input type="checkbox"/> 60	<input type="checkbox"/> PL	<input checked="" type="checkbox"/> 277	<input type="checkbox"/> DRK BRONZE RAL-8019-T	
<input type="checkbox"/> 3082 60 W. INC 13 W. PL (PL-C LAMP)	<input type="checkbox"/> 42	<input type="checkbox"/> INC	<input type="checkbox"/> 480	<input checked="" type="checkbox"/> GREEN RAL-6005-T	
<input type="checkbox"/> 3081 (2) 42 W. PL (PL-T LAMP)	<input type="checkbox"/> 35		<input type="checkbox"/> MT		
<input type="checkbox"/> 3092 50 W. - H.I.D.	<input type="checkbox"/> 32	NOTES:			
<input type="checkbox"/> 3091 100 W. - H.I.D.	<input type="checkbox"/> 28	PL LAMPS TO 18 W. USE PL-C LAMPS (G24Q LAMP HOLDER)			
	<input type="checkbox"/> 26	PL LAMPS 26 W. AND OVER USE PL-T LAMPS (GX24Q LAMP HOLDER)			
	<input type="checkbox"/> 18	FLUORESCENT UNITS AVAILABLE IN 120 V. OR 277 V. ONLY			
	<input type="checkbox"/> 13	FOR SMOOTH: FINISH REMOVE SUFFIX "T" (EXAMPLE: RAL-6500)			
		SEE WEBSITE FOR ADDITIONAL COLORS			
	H.I.D. UNITS USE MEDIUM BASE LAMP				

**HALO LED Module 600 Series
For New and Existing Installations**

The Halo LED ML7068xx modules are designed for retrofit applications with an Edison screw base adapter (included with the module) for use in existing housings OR may also be used in new construction with the LED dedicated housing Series H750x. Halo LED 600 Series modules deliver in the range of 400-760 lumens (depending upon the trim and selected color temp); and the 600 Series offers selection of four color temperatures: 2700K, 3000K, 3500K, 4000K. Halo LED offers a superior optical design that yields productive beam lumens, good cutoff and low glare. The Halo LED also exceeds high efficacy requirements (with designated trims) for Title 24-2008 and IECC-2009.

Catalog #	ML706-8-27-448B306	Type	D
Project	801 S. PARK ST.	Date	12/23/09
Comments			
Prepared by			

DESIGN FEATURES

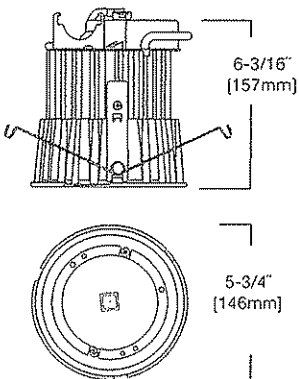
Exceeds the light output and distribution of a 65W BR30 incandescent lamp or an 18W compact fluorescent luminaire, while consuming less than 14 watts.

Dimming

The HALO LED luminaire is dimmable to 15% with standard 120V incandescent, magnetic low voltage, and electronic low voltage dimmers (or to 5% using dimmers with low end trim adjustment.) Standard incandescent dimmers require a minimum load of typically >40 watts on the circuit for full range dimming performance (four LED modules). For dimming with digital (smart) multi-location dimmers or when dimming fewer than four LED modules, electronic low voltage dimmers are required (ELV dimmers need a neutral connection in the wallbox).

Quality of Light

Halo 600 Series provides excellent color rendering (80 CRI), and a selection of four color temperatures (2700K, 3000K, 3500K and 4000K). CRI and color temperature performance conform to parameters established by ENERGY STAR® SSL standards (refer to ANSI-C78.377 - 2008 for CCT specifications). LED's have virtually no ultraviolet and minimal infrared wavelengths, and they do not emit heat like conventional lamps.



Optical Design

Optical design yields productive beam lumens, 50° cutoff, and low glare.

Life

Rated for 50,000 hours at 70% lumen maintenance.

Compatibility

The Halo ML7068xx LED modules are designed for use in the dedicated H750x series housings OR for retrofit applications in existing Halo or ALL-PRO™ H7/ET7/E17 housings. The Halo LED module is designed for use in either IC (insulated ceiling) or non-IC construction. Compatible HALO and ALL-PRO housings include model numbers:
 • Dedicated LED Housing: H750x Series
 • Halo Housings: H7x Series
 • ALL-PRO Housings: ET7x and E17x Series

Screw Base Adapter

Edison screw-base adapter supplied with module allows simple wiring connection to existing housing.

Module Construction

Durable die-cast and extruded aluminum construction conducts heat away from the LED keeping the junction temperatures below specified maximums even when installed in insulated ceiling environments.

Air-Tite™ Rating

The Halo LED module has passed restricted air flow testing, and now qualifies any housing to meet airtight building codes. Certified under ASTM-E283 standards.

LED Driver

The LED module is controlled by a high efficiency driver with a power factor of >.90 at an input power of 120V, 50/60Hz. Driver has integral thermal protection in the event of over temperature or internal failure.

Warranty

Cooper Lighting provides a three year limited warranty on the Halo LED Luminaire which includes the LED Module, LED Recessed Housing and LED trims.

LED Module in New or Existing Construction – Housings other than Halo or All-Pro

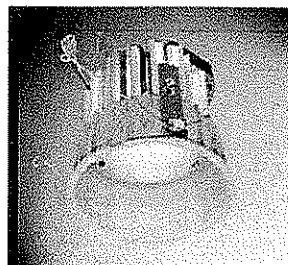
If used in recessed housings other than Halo or All-Pro the Cooper Lighting 3-year warranty applies to the LED Module and Trim only. As with any electrical installation, a qualified electrician must ensure compatibility of use with a particular housing; this includes all applicable national and local electrical and building codes. Installer is responsible to securely retain the LED Module and Trim in a housing at time of installation.

Labels

- UL/cUL Listed Meets following requirements:
- State of California Title 24-2008 High Efficacy Compliant (with designated trims)
- International Energy Conservation Code (IECC) 2009 High Efficacy Compliant (with designated trims)
- Washington State Energy Code - AIR-TITE™
- New York State Energy Conservation Construction Code AIR-TITE™

Accessories

- Oversize Trim Rings (Goof Rings) - OT400P and OT403P oversize trim rings are installed behind the Halo LED trim ring to aid in masking ceiling irregularities and cut-out errors.
- H277 -The H277 Step-down transformer for use with non-IC housings (H7T, H7TNB, H750T, H750TCP, H750TD010) and LED Module.
- H347 -The H347 Step-down transformer for use with non-IC housings (H7T, H7TNB, H750T, H750TCP, H750TD010) and LED Module.
- ML7RAB - Retrofit Adapter Band for retrofit of Halo LED Modules into 6" nominal housings that do not have torsion spring receivers for module installation. The ML7RAB kit supplies parts to retrofit four housings and includes: four adapters with instructions, metal piercing screws, and locking wire nuts.



**ML706827
600 Series LED
Dimmable Module
2700°K Correlated
Color Temperature
49X_Series Trims**

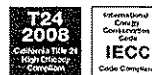
**6" LED Module and Trim
For New Construction OR
Retrofit Applications**

600 Series Energy Data:
 (Values at non-dimming line voltage)
 Minimum Starting Temp: -30°C (-22°F)
 EMI/RFI: FCC Title 47 CFR, Part 18, Class B (Consumer)

Sound Rating:	Class A standards
Input Voltage:	120V
Power Factor:	>0.90
Input Frequency:	50/60Hz
THD:	<20%
Rated Wallage:	13.8W
Input Power:	13.8W
Input Current:	128mA
Maximum IC (insulated Ceiling) Ambient Continuous Operating Temperature:	25°C (77°F)
Maximum Non-IC Ambient Continuous Operating Temperature:	40°C (104°F)

600 Series Summary Lighting Data:

Lumen range: 400-760
Lumens per watt:55 max.
Watts at 120VAC: 13.8
Color Correlated Color Temperature (CCT): 2700-4000K
Color Rendering Index (CRI, R _a): 80



Qualified & Compliant with designated LED modules and trims.



ORDERING INFORMATION

SAMPLE NUMBER: ML706827 494P06

Order LED Module and trim separately

600 Series LED Module			Trim Options	Accessories (see product details for application information)
ML706	8	27	493BBS06	
ML706=6" LED Module 600 Series LED	8=80 CRI	27=2725°K 30=3045°K 35=3490°K 40=3935°K	<p>494P06=Matte White Reflector/ white die cast trim ring.</p> <p>494WB06=White Baffle/ white die cast trim ring.</p> <p>494H06=Haze Reflector/ white die cast trim ring.</p> <p>494SC06=Specular Reflector/ white die cast trim ring.</p> <p>492PS06=Regressed Lens, white die-cast baffle and trim ring. Shower rated.</p> <p>493WBS06=Solite® Regressed Lens, upper reflector, White die-cast baffle and White die-cast trim ring with anti-microbial paint (standard). Shower Rated.</p> <p>493SCS06=Solite® Regressed Lens, upper reflector, Specular Clear die-cast reflector and die-cast white trim ring. Shower Rated.</p> <p>493HS06=Solite® Regressed Lens, upper reflector, Haze die-cast reflector, and white die-cast trim ring. Shower Rated.</p> <p>493SNS06=Solite® regressed Lens, upper reflector, Satin Nickel die cast reflector and Satin Nickel die-cast trim ring. Shower Rated.</p> <p>493TBZS06=Solite® Regressed Lens, upper reflector, Tuscan Bronze die-cast reflector and Tuscan Bronze die-cast trim ring. Shower Rated.</p> <p>493BBS06=Solite® Regressed Lens, Black die-cast baffle with die-cast white trim ring. Shower Rated.</p>	<p>OT400P=Oversize White Metal Trim Ring 6" ID x 9-1/4" OD</p> <p>OT403P=Oversize White Plastic Trim Ring 6" ID x 8" OD</p> <p>H277=Transformer - Steps 277 line voltage down to 120V</p> <p>H347=Transformer - Steps 347 line voltage down to 120V</p> <p>Thin Profile Trim Rings:</p> <p>TRM490WH=Thin Profile matte white die-cast trim ring</p> <p>TRM490SN=Thin Profile Satin Nickel die-cast trim ring</p> <p>TRM490TBZ=Thin Profile Tuscan Bronze die-cast trim ring</p> <p>TRM490BK=Thin Profile Black die-cast trim ring</p> <p>TRM490PC=Thin Profile Polished Chrome die-cast trim ring</p> <p>ML7RAB=Retrofit Adapter Band for Housings without Torsion Spring Receivers. The ML7RAB kit supplies parts to retrofit four housings; the kit includes: 4 - Retrofit Adapter Bands with screws and locking wire nuts.</p>

3 YEAR PRODUCT LIMITED WARRANTY

Cooper Lighting (The Company) warrants the HALO ML7068xx LED Modules, HALO H750x Series housings and HALO LED trims against defects in material or workmanship for a period of three years from date of original purchase, and agrees to repair or, at the company's option, replace a defective product without charge for either replacement parts or labor during such time. This does not include labor to remove or install fixtures. If used in recessed housings other than Halo or ALL-Pro, the Cooper Lighting 3-year warranty applies to the LED Module and trim only.

This warranty is extended only to the original purchaser of the product. A purchaser's receipt or other proof of date of original purchase acceptable to the Company is required before warranty performance shall be rendered.

This warranty only covers product failure due to defects in materials or workmanship which occurs in normal use. It does not cover the failure of product caused by accident, misuse, abuse, lack of reasonable care, alteration, or faulty installation, subjecting the product to any but the specified electrical service or any other failure not resulting from defects in materials or

workmanship. Damage to the product caused by separately purchased, non-Company supplied components and corrosion or discoloration of components are not covered by this warranty. There are no express warranties except as described above.

THE COMPANY SHALL NOT BE LIABLE FOR INCIDENTAL, SPECIAL OR CONSEQUENTIAL DAMAGES RESULTING FROM THE USE OF THE PRODUCT OR ARISING OUT OF ANY BREACH OF THIS WARRANTY. ALL IMPLIED WARRANTIES, IF ANY, INCLUDING IMPLIED WARRANTIES OF MERCHANTABILITY AND FITNESS FOR A PARTICULAR PURPOSE, ARE LIMITED IN DURATION TO THE DURATION OF THIS EXPRESS WARRANTY. Some states do not allow the exclusion or limitation of incidental or consequential damages, or limitations on how long an implied warranty lasts, so the above exclusions or limitations may not apply to you.

No other warranty, written or verbal, is authorized by the Company. This warranty gives you specific legal rights, and you may also have other rights which vary from state to state.

To obtain warranty service, please write to Cooper Lighting, 1121 Highway 74 South, Peachtree City, Georgia 30269. Enclose product model number and problems you are experiencing, along with address and telephone number. You will then be contacted with a solution or a Return Goods Authorization number and full instructions for returning the product. All returned products must be accompanied by a Return Goods Authorization Number issued by the Company and must be returned freight prepaid. Any product received without a Return Goods Authorization Number from the Company will be refused.

Cooper Lighting is not responsible for merchandise damaged in transit. Repaired or replaced products shall be subject to the terms of this warranty and are inspected when packed. Evident or concealed damage that is made in transit should be reported at once to the carrier making the delivery and a claim filed with them.

Solite® is a registered trademark of AGC Flat Glass North America