



VIEW FROM JOHN NOLEN DRIVE / LAKE MONONA



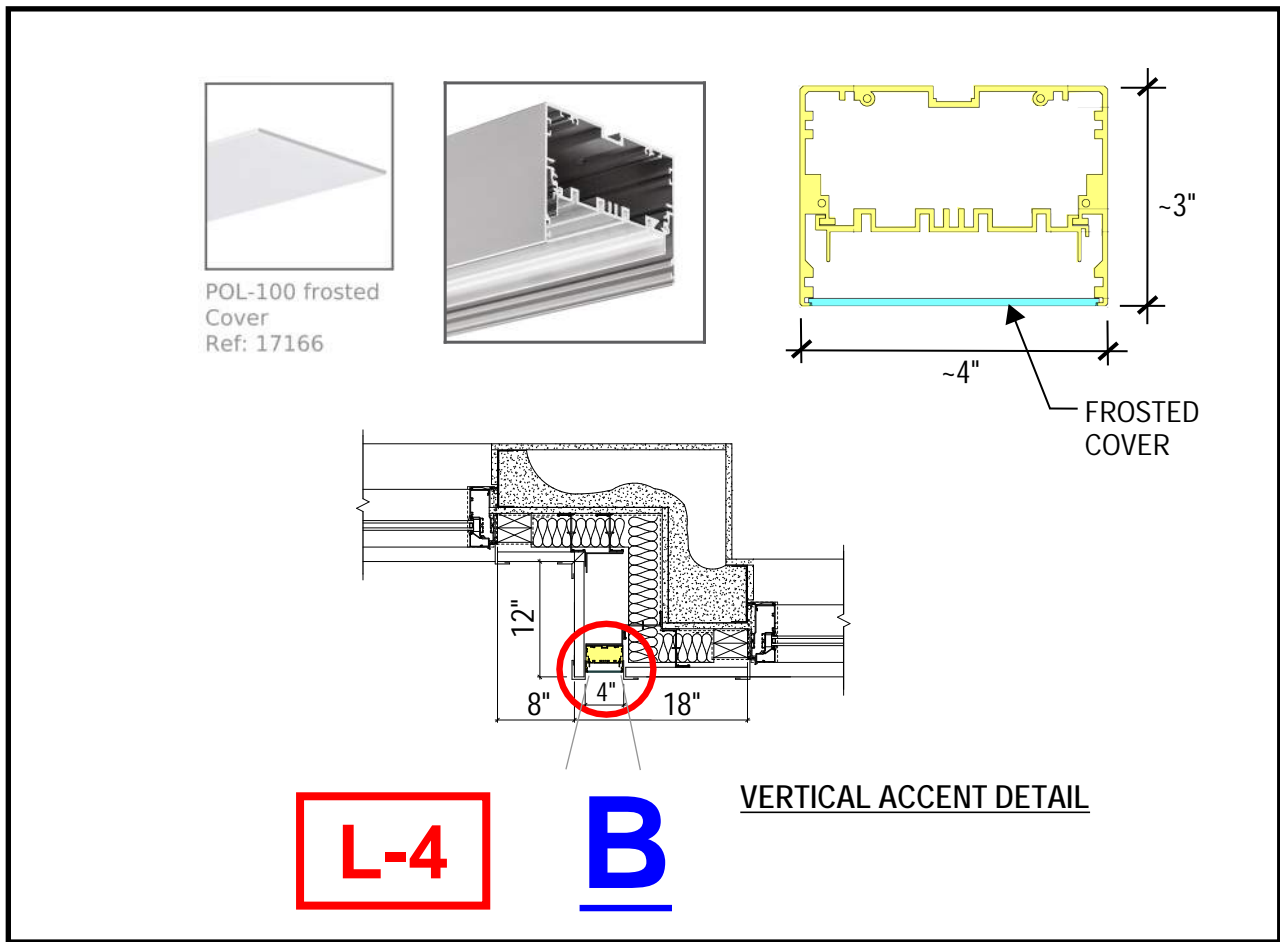
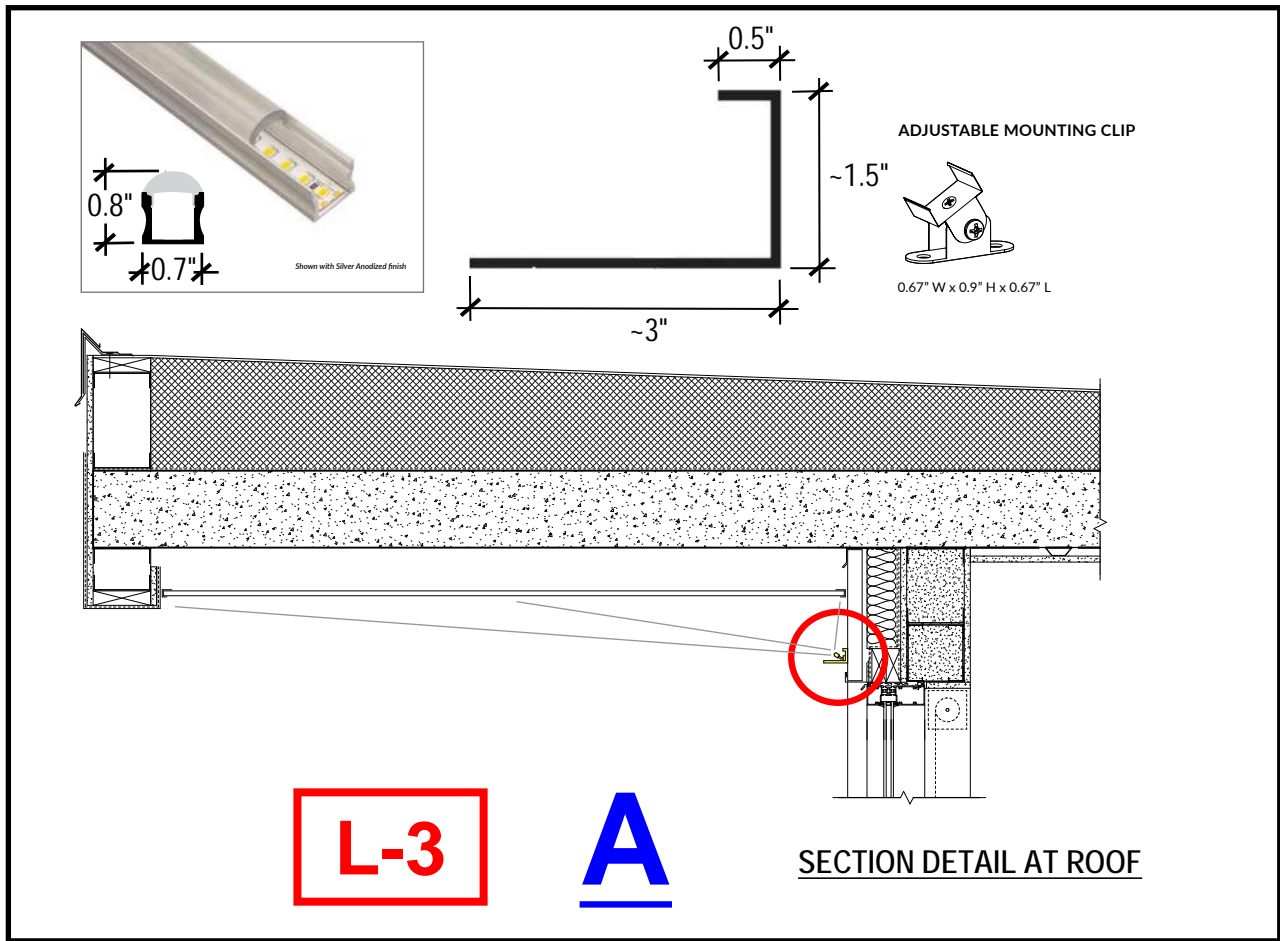
TIMELAPSE VIEW FROM LAKE MONONA

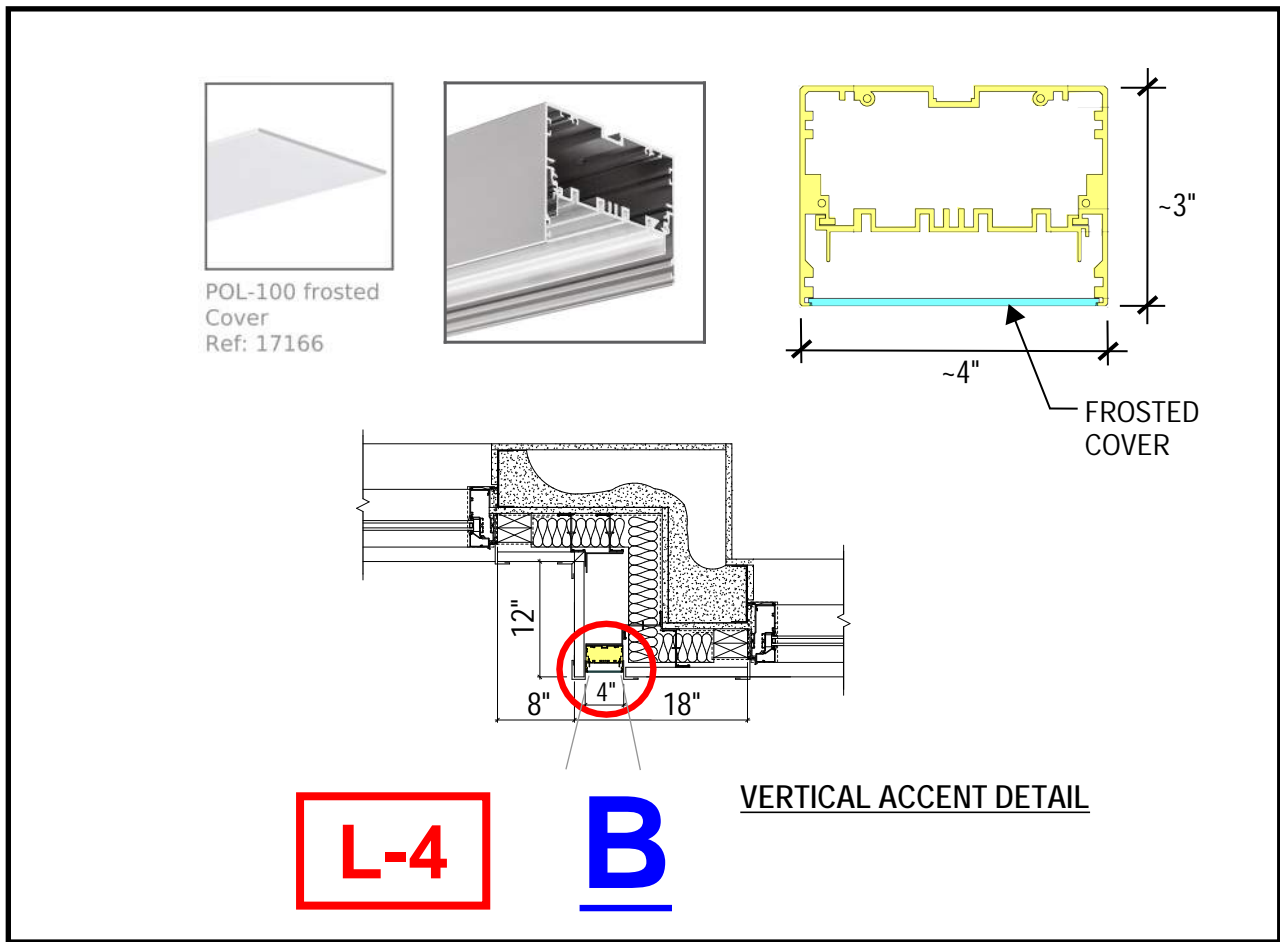
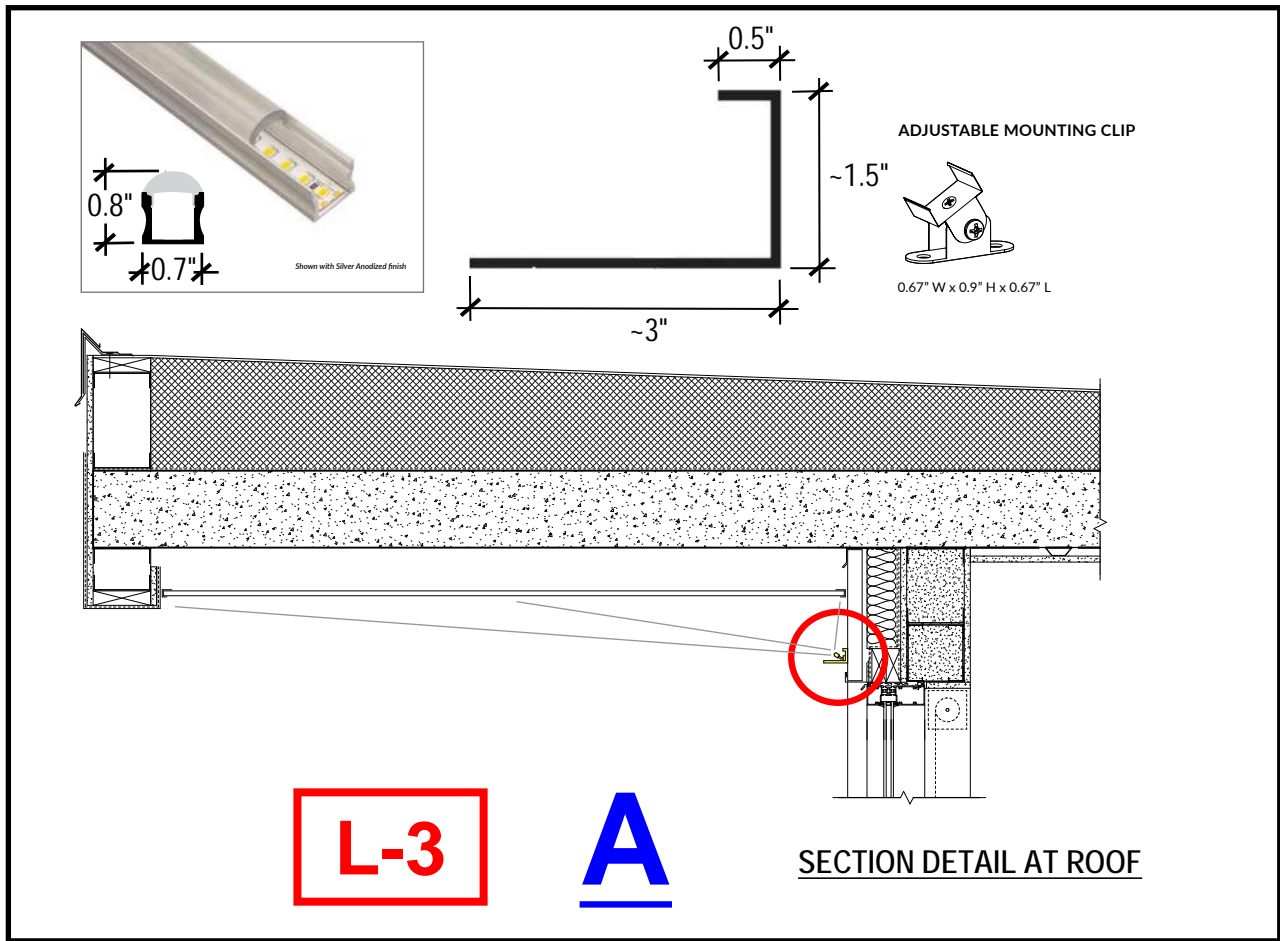


VIEW FROM JOHN NOLEN DRIVE / LAKE MONONA



VIEW FROM LAKE MONONA





Fixture Type

DEEP GRAZER EXTRUSION + LED TAPELIGHT

L3



SPECIFICATIONS

FINISH	Silver Anodized, Black Powder Coat, White Powder Coat
LENS	15° Grazing
WATTAGE	1.5W/ft to 7.6W/ft
IP RATING	IP20, IP65 - rating applies to tapelight, see page 2 for details
CCT / COLOR	2200K - 5200K; RGB; RGBW; tunable white; warm fade
BEAM SPREAD	15° typical with Grazing lens
INPUT VOLTAGE	24VDC
LENGTH	Made to order. Actual lengths vary by LED tapelight cut points. Maximum assembled length is 94in. Lengths over 94in are made with multiple sections, shipped unassembled.
OUTPUT	117 to 651 lm/ft
LEDS	Single binned LEDs +/- 30-70 CCT, MacAdam 3 SDCM
MATERIAL	Extrusion - Anodized aluminum; Lens - Polycarbonate
MOUNTING	Mounting clips recommended
POWER SUPPLY	Requires a 24V power supply - see page 5
WARRANTY	IP20 - 5 year limited, IP65 - 3 year limited

5 YEAR LIMITED WARRANTY



FEATURES & RECOMMENDED APPLICATIONS

Surface-mount extrusion with a deep profile and 15° Clear Grazing lens. Highlight textured walls and irregular surfaces, bringing features to life. Ideal for textured plaster, brick surfaces, stone facades, wave walls, and corrugated surfaces.



PRODUCT: LLI-DEP-SG-H4.4W-30K-24V-94IN

DEEP GRAZER EXTRUSION + LED TAPELIGHT

ORDERING GUIDE (CONTINUED)

5. LENGTH

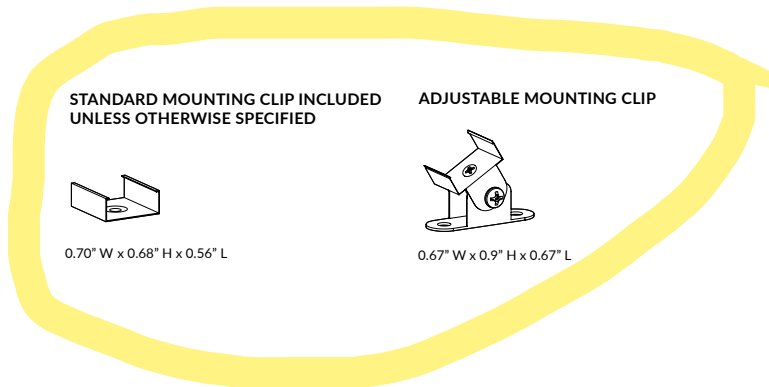
5. LENGTH

Enter overall extrusion length in inches. Maximum assembled length is 94in. Lengths over 94in are made with multiple sections, shipped unassembled. Overall Extrusion+LED tapelight length will be rounded down based on nearest LED tapelight cut point.

6. MOUNTING (OPTIONAL)

6. MOUNTING

 Default [blank] - Standard Clip
ADJ Adjustable Clip



7-9. POWER FEED (OPTIONAL)

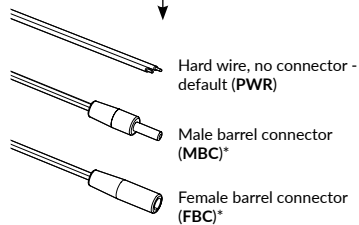
7. LEAD TYPE	8. LEAD LENGTH	9. FEED TYPE
<input type="text" value="[blank]"/>	<input type="text" value="[blank]"/>	<input type="text" value="[blank]"/>

Default [blank] - 48" hard wire end feed (PWR48EF)

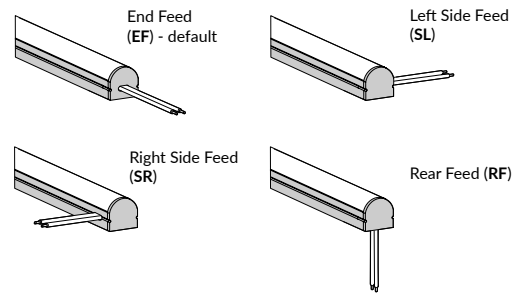
- PWR** Hard wire
- MBC*** Male barrel
- FBC*** Female barrel

Enter desired wire length in inches.

- EF** End Feed
- SL** Left Side Feed
- SR** Right Side Feed
- RF** Rear Feed

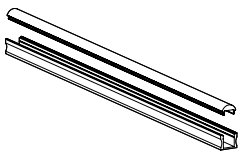


STANDARD 48" HARD WIRE END FEED INCLUDED UNLESS OTHERWISE SPECIFIED

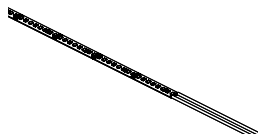


*Barrel connectors not compatible with RGB, RGB(W), or Tunable White tapelights.

WHAT'S INCLUDED



EXTRUSION WITH LENS



LED TAPELIGHT WITH POWER FEED



ENDCAPS



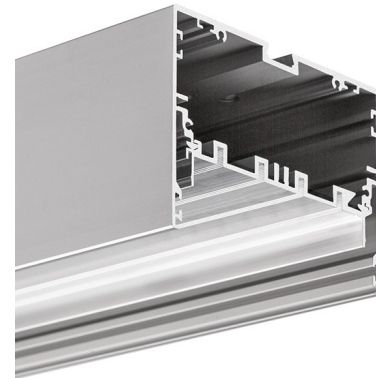
MOUNTING CLIPS

Fixture Type

L4

PRODUCT DESCRIPTION

- Service is carried out from below, enabling the construction of wall-to-wall lighting fixtures
- An LED lighting fixture with a low glare rating UGR below 19 (with the JUN-100 prismatic cover) can be built
- The fixture can accommodate control electronics
- A system solution for comfortable assembly and disassembly
- Directs light downwards and upwards
- Ability to build lighting fixtures with high light output
- Resistance to vibrations - safety
- Can be combined into strings and segmented lines
- Light output can be increased with REFLEX 16-60 reflectors
- LED tapes or LED current modules can be used



FINISH :

Silver anodized

Fill empty fields

Product nr.	
Fixture type	
Company	
Job name	
Date	

TECHNICAL SPECIFICATION

Application

- for the construction of advanced ceiling fixtures, mounted to the surface or in difficult installation locations

Mounting

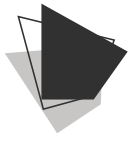
- comfortable and reliable assembly,
- the possibility of using self-tapping screws.

Additional information

- the MOD-100 lighting fixture can be anodized or painted,
- MOD-100 lighting fixtures can produce a strong downward light beam (6 LED tapes, 10 mm wide) or 2 LED current modules 24 mm wide), and an upward beam (1 LED tape, 10 mm wide),
- MOD-100 is designed as a "core" (profile with LED tapes), which can be prepared in advance (in factory conditions),
- at the installation site, it is enough to insert the prepared "core" into the body of the fixture and connect power,
- use 2 locking bolts for each 1m of the fixture. With fixtures shorter than 1m, use at least 2 bolts.

The following covers should be used with the MOD-100 fixture:

- **JUN-100 prismatic** material: PMMA, length: 59"/1.5 m, UV resistant, glare rating UGR ≤ 19 possible,



Fixture Type

LLI ARCHITECTURAL LIGHTING

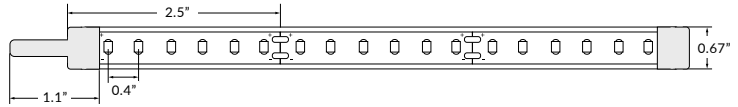
L4

SPECIFIER **KLEIN LIGHTING**

PROJECT **THE MOMENT**

DATE **04/05/2023**

MEDIUM LUMINOSITY 3.5W LED TAPELIGHT - IP68



TECHNICAL INFORMATION

NOTE: All data has +/- 5% tolerance.

WATTAGE	3.5W per foot
IP RATING	IP68 - wet locations. Protected against temporary submersion, limited protection against harsh environments.
OUTPUT	22K - 225 lm/ft 27K - 235 lm/ft 30K - 243 lm/ft 35K - 249 lm/ft 42K - 262 lm/ft 52K - 271 lm/ft
INPUT VOLTAGE	24VDC
OPERATING TEMP.	-13° to 140° F
CRI	90+
CUT LENGTH	Every 2.5", or every 6 LEDs
MAXIMUM RUN	40 feet
DIMENSIONS	0.67" W x 0.35" H (17mm x 9mm)
ADHESIVE BACKING	Yes - VHB
LIFESPAN	50,000 hrs
WARRANTY	3 year limited
POWER SUPPLY	Compatible with all 24VDC power supplies - see page 4

CONNECTOR OPTIONS (SOLD SEPARATELY)

Not compatible with connectors - must be fabricated to specification by factory. Use Layout Guide on page 3 to specify factory-assembled connections.

MOUNTING OPTIONS (SOLD SEPARATELY)



ARCHITECTURAL EXTRUSIONS
(see website, llialighting.com)



TAPE MOUNTING CLIP
(sold in packs of 10)

LLI-TAPE-CLIPS-WET-10MM

PART NUMBER BUILDER / ORDERING GUIDE

Example part number: LLI-L3.5W-68-27K-24V-90-96in

If a custom, pre-assembled layout is desired, please use the layout guide on page 3 to specify a layout code

SERIES	IP RATING	COLOR	VOLTAGE	CRI	LENGTH
LLI-L3.5W	68	30K	24V	90	R016
		22K (225 lm/ft)			(enter length in inches, up to 480")
		27K (235 lm/ft)			
		30K (243 lm/ft)			
		35K (249 lm/ft)			
		42K (262 lm/ft)			
		52K (271 lm/ft)			