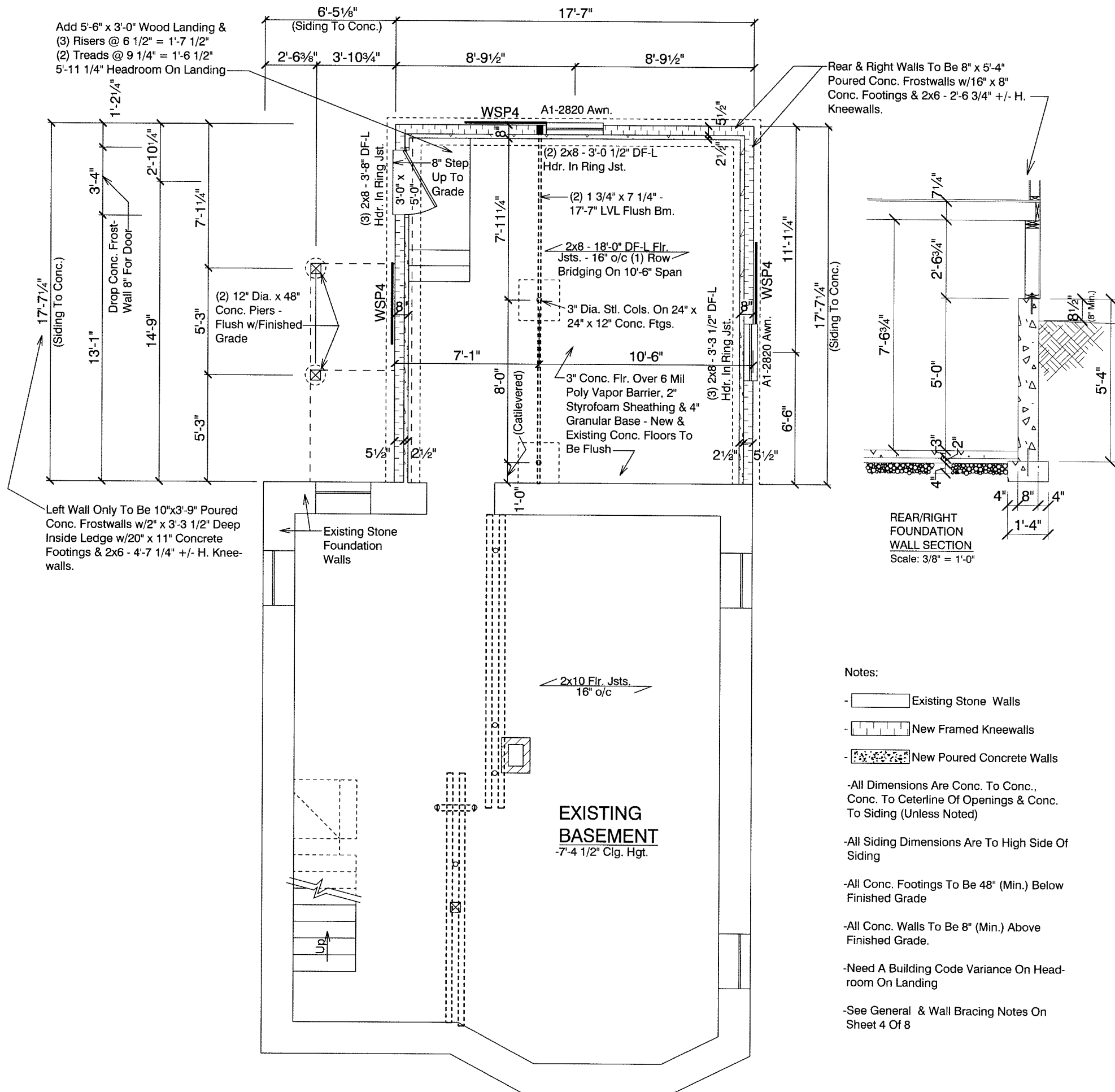
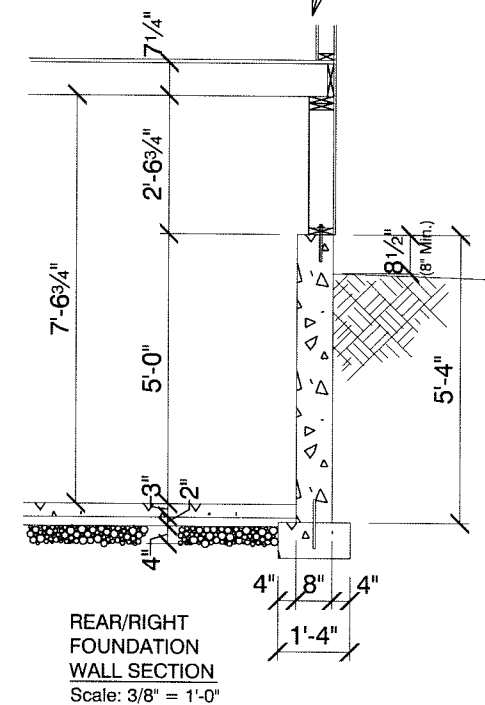


**EXISTING FOUNDATION PLAN**



**PROPOSED FOUNDATION PLAN**



**REAR/RIGHT FOUNDATION WALL SECTION**  
Scale: 3/8" = 1'-0"

- Notes:
- Existing Stone Walls
  - New Framed Kneewalls
  - New Poured Concrete Walls
  - All Dimensions Are Conc. To Conc., Conc. To Centerline Of Openings & Conc. To Siding (Unless Noted)
  - All Siding Dimensions Are To High Side Of Siding
  - All Conc. Footings To Be 48" (Min.) Below Finished Grade
  - All Conc. Walls To Be 8" (Min.) Above Finished Grade.
  - Need A Building Code Variance On Headroom On Landing
  - See General & Wall Bracing Notes On Sheet 4 Of 8