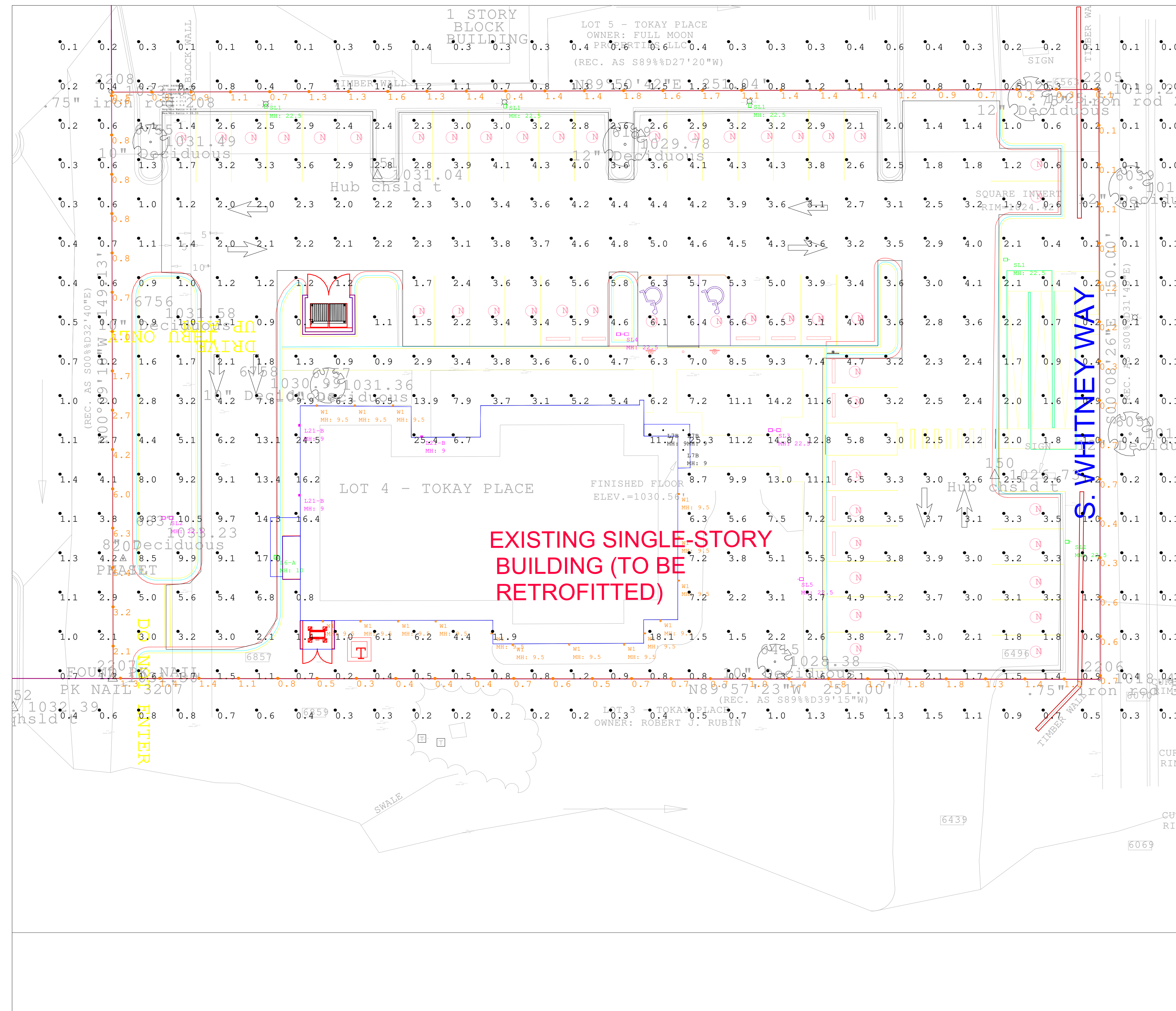


| Label | Units | Avg | Max | Min | Avg/Min | Max/Min | Description |
|---------------|-------|-------|------|------|---------|---------|-------------------------------------|
| ATM 5' | Fc | 34.68 | 46.5 | 18.4 | 1.88 | 2.53 | FC TAKEN 5' FROM ATM @ 3'-0" AFG |
| ATM 50' | Fc | 7.83 | 28.1 | 0.7 | 11.19 | 40.14 | FC TAKEN 50' FROM ATM @ 3'-0" AFG |
| ENTRY | Fc | 15.93 | 43.9 | 2.2 | 7.24 | 19.95 | FC TAKEN 10' FROM ENTRY @ 3'-0" AFG |
| ENTRY 50' | Fc | 7.54 | 38.2 | 1.0 | 7.54 | 38.20 | FC TAKEN 50' FROM ENTRY @ 3'-0" AFG |
| PARKING 60' | Fc | 3.78 | 6.6 | 2.0 | 1.89 | 3.30 | FC TAKEN 60' FROM ENTRY @ 3'-0" AFG |
| PROPERTY LINE | Fc | 1.19 | 6.3 | 0.1 | 11.90 | 63.00 | FC TAKEN AT GRADE |
| SITE | Fc | 3.00 | 25.4 | 0.0 | N.A. | N.A. | FC TAKEN AT GRADE |
| JPMC PAVEMENT | Fc | 3.71 | 17.0 | 0.6 | 6.18 | 28.33 | FC TAKEN AT GRADE |

| Symbol | Label | Qty | Part Number | Description |
|--------|-------|-----|--|------------------------------------|
| | SL4 | 1 | EACL010F4AF740-DIMMING-D1-FINISH | FULL CUTOFF AREA LIGHT |
| | SL3 | 1 | EACL010F2AN740-DIMMING-D1-FINISH | FULL CUTOFF AREA LIGHT |
| | L7B | 3 | LDXB4R010T35V1+RDI4RWPTWTWTR | RECESSED DOWNLIGHT |
| | W1 | 16 | 9004-W2-RW-LED3090-W-BK-L1-UNV | WALL MOUNT UP/ DN LIGHT |
| | SL2 | 1 | EACL010E2AN740-DIMMING-D1-FINISH | FULL CUTOFF AREA LIGHT |
| | SL1 | 5 | EACL010D4AF740-DIMMING-D1-FINISH WSHEILD | FULL CUTOFF AREA LIGHT W/SHEILD |
| | SL5 | 1 | EACL010D4AF740-DIMMING0E1-FINISH | FULL CUTOFF AREA LIGHT |
| | L6-A | 1 | ECLS010A5SM740-DIMMING-SM-WHTE | SURFACE MOUNT CANOPY |
| | L21-B | 3 | XTOR6B-W | WALL MOUNT FULL CUTOFF HO WALLPACK |



- DUE TO CHANGING LIGHTING ORDINANCES IT IS THE CONTRACTORS RESPONSIBILITY TO SUBMIT THE SITE PHOTOMETRICS AND LUMINAIRE SPECS TO THE LOCAL INSPECTOR BEFORE ORDERING TO ENSURE THIS PLAN COMPLIES WITH LOCAL LIGHTING ORDINANCES

- THIS LIGHTING DESIGN IS BASED ON INFORMATION SUPPLIED BY OTHERS. CHANGES IN ELECTRICAL SUPPLY, AREA GEOMETRY AND OBJECTS WITHIN THE LIGHTED AREA MAY PRODUCE ILLUMINATION VALUES DIFFERENT FROM THE PREDICTED RESULTS SHOWN ON THIS LAYOUT.

- THIS LAYOUT IS BASED ON IES FILES THAT WERE LAB TESTED OR COMPUTER GENERATED. ACTUAL RESULTS MAY VARY



| Comments | Date | Revisions |
|----------|------|-----------|
| | | |
| | | |
| | | |

Drawn By: JJM
 Checked By:
 Date: 6/25/2023

JPMC WHITNEY
 LIGHTING LAYOUT

PHOTOMETRIC CALCULATIONS



national accounts

Wesley McIntire > jpmcretail@fsgj.com

2525 Walnut Hill Lane, Suite 400 > Dallas, TX 75229

Ph (214) 351-6266 > Fx (888) 462-2329



JPMC WHITNEY

SUBMITTAL INDEX

SUBMISSION DATE: 6/23/2023
 PLAN DATE: 6/2/2023
 CUSTOMER NAME: JPMC
 PROJECT NAME: WHITNEY
 CITY, STATE: _____
 PREPARED BY: WES MCINTIRE

SUBMITTAL REV #: _____
 FOR RECORD:
 FOR APPROVAL:
 CUSTOMER PO#: _____
 PROJECT / STORE #: _____
 PROJECT MANAGER / #: _____

| TYPE | MANUFACTURER | DESCRIPTION | FIXTURE QTY | LAMP | LAMP QTY | VOLT | ISSUE CODE | NOTES |
|-------|--------------|---|-------------|------|----------|------|------------|----------------|
| L6-A | GE | ECLS 01 0 A5 SM 7 40-DIMMING-SM-WHITE | 1 | LED | | DUAL | | |
| L7B | GE | LDXB4R010T35V1+RD14RWPTWTWTR | 3 | LED | | DUAL | | |
| L21-B | EATON | XTOR6B-W | 3 | LED | | DUAL | | |
| SL1 | GE | EACL 01 0 D4 AF 7 40-DIMMING- D1 **** W/ SHIELD | 5 | LED | | DUAL | 6 | CONFIRM FINISH |
| SL2 | GE | EACL 01 0 E2 AN 7 40-DIMMING-D1 **** | 2 | LED | | DUAL | 6 | CONFIRM FINISH |
| SL3 | GE | EACL 01 0 F2 AN 7 40-DIMMING-D1-**** | 2 | LED | | DUAL | 6 | CONFIRM FINISH |
| SL4 | GE | EACL 01 0 F4 AF 7 40-DIMMING- D1 **** | 2 | LED | | DUAL | 6 | CONFIRM FINISH |
| W1 | EATON | 9004-W2-RW-LED3090-W-BK-L1-UNV | 16 | LED | | DUAL | | |
| | | | | | | | | |

CODES IN RED REQUIRE RESOLUTION PRIOR TO ORDER AND RELEASE - ADVISE & CONFIRM

- | | | |
|--|----------------------------|--------------------------------------|
| 1 - RUN DATA / "BOM" (Bill of Materials) | 4 - CONFIRM MOUNTING | 8 - LAMP COLOR / BEAM SPREAD |
| 2 - OMH (Overall Mounting Height) | 5 - CONFIRM CEILING TYPE | 9 - EXIT FACES, ARROWS, AND MOUNTING |
| 3 - CONFIRM VOLTAGE | 6 - CONFIRM FINISH / COLOR | |

VOLTAGE OPTIONS:

| | | | |
|--------------------------------|-------------------------------------|------------------------|--------------------------------|
| DUAL - 120/277 PRIMARY | 120 - 120 VOLT PRIMARY | 277 - 277 VOLT PRIMARY | 120/12 - STEP DOWN TRANSFORMER |
| 277/12 - STEP DOWN TRANSFORMER | REM - REMOTE BALLAST OR TRANSFORMER | DIM - DIMMING BALLAST | |

Please Note The Following:

ENCLOSED SUBMITTAL IS BASED ON INTERPRETATION OF THE DRAWINGS AND/OR SPECIFICATIONS PROVIDED TO FSG. ALL FIXTURES ARE TO BE REVIEWED AND APPROVED BY THE SPECIFIER TO ENSURE THAT THE ENCLOSED PACKAGE MEETS DESIGN INTENT. IF THERE IS A CONFLICT BETWEEN THE WRITTEN SPECIFICATION AND THE SPECIFIED PACKAGE, FSG IS TO BE NOTIFIED IN WRITING. FSG WILL BE HELD HARMLESS FOR ANY CHANGES IN DRAWINGS AND/OR SPECIFICATIONS. IF THIS PACKAGE IS IN AGREEMENT WITH SPECIFICATION, PLEASE SIGN AND DATE BELOW.

NOTE: MATERIAL WILL NOT BE ORDERED UNTIL THE SUBMITTALS ARE APPROVED AND RETURNED.

Approving Signature:

Authorized Signature: _____

Date: _____

Submitting Agency:



lighting > electrical > energy
technology > signs
214-351-6266

Description: **ECLS010A5SM740-DIMMING-SM-WHITE**

Project: **JPMC WHITNEY**

Notes:

Type:

L6-A

EVOLVE



CUSTOMER NAME _____

PROJECT NAME _____

DATE _____ TYPE _____

CATALOG NUMBER _____

ECLS Soffit LED Canopy Light

The Evolve® Canopy LED Soffit (ECLS) offers energy efficiency and quality of light in a sleek low-profile look and style. The ECLS features a diffused aperture which spreads the source lumens for even light distribution and low glare. To be used for sealed deck applications only (enclosed canopy or soffit).

Construction

| | |
|-----------------|--|
| Housing: | Aluminum die cast enclosure. Integral heat sink for maximum heat transfer |
| Lens: | Impact resistant tempered glass |
| Paint: | Corrosion resistant polyester powder paint, minimum 2.0 mil thickness Standard = Black, Dark Bronze Gray, White (RAL & custom colors available) |
| Weight: | 10 lbs (4.5 kg) - 12.5 lbs (5.7 kg) |

Optical System

| | |
|----------------------|---------------------|
| Lumens: | 3,600 - 7,100 |
| Distribution: | Symmetric Medium |
| Efficacy: | 119 - 138 LPW |
| CCT: | 3000K, 4000K, 5000K |
| CRI: | ≥70 |

Electrical

| | |
|-----------------------------------|------------------------|
| Input Voltage: | 120-277V & 347V |
| Input Frequency: | 50/60Hz |
| Power Factor: | >90% at rated watts |
| Total Harmonic Distortion: | <20% at rated watts |
| Surge Protection: | Standard Surge 6kV/3kA |

*Per ANSI C136.2-

Warranty

5 Year (Standard)

Lumen Maintenance

Projected Lxx per IES TM-21-11 at

| LUMEN CODES | LXX(10K) @ HOURS | | |
|-------------|------------------|-----------|-----------|
| | 25,000 HR | 50,000 HR | 60,000 HR |
| T5 | L96 | L92 | L91 |
| A5 | L95 | L93 | L92 |
| B5 | L95 | L93 | L92 |

Note: Projected Lxx based on LM80 (≥ 10,000 hour testing). Accepted industry tolerances apply to initial luminous flux and lumen maintenance measurements.

Luminaire Ambient Temperature Factor

| AMBIENT TEMP (°C) | INITIAL FLUX FACTOR | AMBIENT TEMP (°C) | INITIAL FLUX FACTOR |
|-------------------|---------------------|-------------------|---------------------|
| 10 | 1.02 | 30 | 0.99 |
| 20 | 1.01 | 40 | 0.98 |
| 25 | 1.00 | 50 | 0.97 |

Ratings

| | |
|-------------------------------|--|
| Operating Temperature: | -40°C to 50°C |
| Vibration: | 1.5G per Per ANSI C136.31-2010: |
| LM-79: | Testing in accordance with IESNA Standards |

Controls

| | |
|-----------------|---|
| Dimming: | Standard - 0-10V |
| Sensors: | Motion with Integrated Photoelectric control, Daintree Compatible |



Not all product variations listed on this page are DLC qualified. Visit www.designlights.org/search to confirm qualifications.

Submitting Agency:



lighting > electrical > energy
technology > signs
214-351-6266

Description: ECLS010A5SM740-DIMMING-SM-WHITE
Project: JPMC WHITNEY
Notes:

Type:

L6-A

EVOLVE

ECLS Soffit
LED Canopy Light

CUSTOMER NAME _____
PROJECT NAME _____
DATE _____ TYPE _____
CATALOG NUMBER _____

Ordering Information

ECLS 01 SM 7

| PROD. ID | GEN | VOLTAGE | OPTIC CODE | DISTRIBUTION ³ | CRI (MIN) | CCT | DIMMING | CONTROLS | MOUNTING | COLOR | OPTIONS |
|-------------|-----|-----------------------|---------------|---------------------------|-----------|------------|---|---|------------------------------------|--------------------|---------------------------------|
| E = Evolve | 01 | 0 = 120-277V | T5 = 3,700 lm | SM = Symmetric Medium | 7 = 70 | 30 = 3000K | 1 = None Only Controls '1' available | 1 = None | JM = J-Box Mount | BLCK = Black | SC = Side Conduit Holes |
| C = Canopy | | D = 347V ¹ | A5 = 5,400 lm | | | 40 = 4000K | A = Wired to Control | A = Motion Sensor IR Program ² | PM = Pendant Mount | DKBZ = Dark Bronze | XXX = Special Options |
| LS = Soffit | | | B5 = 7,100 lm | | | 50 = 5000K | D = External Wired 0-10V/Leads Only Controls '1' available | B = Daintree Motion Sensor ² | RM = Recessed Mount | GRAY = Gray | Y = Coastal Finish ³ |
| | | | | | | | | | SM = Surface Mount | WHITE = White | |
| | | | | | | | | | SB = Surface Mount w/ Beauty Plate | | |

¹ Not Available with Optical Code T5
² Requires Dimming Option A
³ Recommended for installations within 750 feet from coast. Lead time varies, check with factory.

| OPTICAL CODE | DIST CODE | TYPICAL LUMENS | | | TYPICAL SYSTEM WATTAGE | |
|--------------|-----------|----------------|-------|-------|------------------------|----------|
| | | 3000K | 4000K | 5000K | 120-277V | 347-480V |
| T5 | | 3600 | 3700 | 3700 | 29 | N/A |
| A5 | SM | 5200 | 5400 | 5400 | 39 | 43 |
| B5 | | 6900 | 7100 | 7100 | 54 | 58 |

For additional information on ECLS IES files, please click the following link:

[ECLS IES Files](#)

Submitting Agency:



lighting > electrical > energy
technology > signs
214-351-6266

Description: **ECLS010A5SM740-DIMMING-SM-WHITE**
Project: **JPMC WHITNEY**
Notes:

Type:

L6-A

EVOLVE

ECLS Soffit LED Canopy Light

CUSTOMER NAME _____

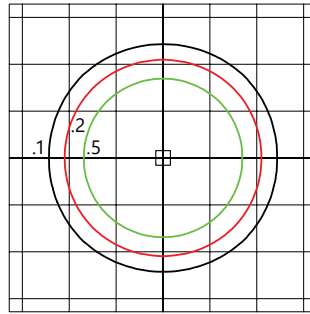
PROJECT NAME _____

DATE _____ TYPE _____

CATALOG NUMBER _____

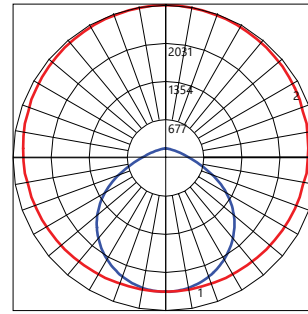
ECLS - Symmetric Medium

7,100 lumens, 5000K
ECLS01_B5SM750_I.E.S



- Mounting Height at 15'
- Initial Footcandle at Grade

2708



- Vertical plane through horizontal angle of Max. Cd at 90°
- Horizontal cone through vertical angle of Max. Cd at 1°

Submitting Agency:



lighting > electrical > energy
technology > signs
214-351-6266

Description: **ECLS010A5SM740-DIMMING-SM-WHITE**
Project: **JPMC WHITNEY**
Notes:

Type:

L6-A

EVOLVE

ECLS Soffit LED Canopy Light

CUSTOMER NAME _____

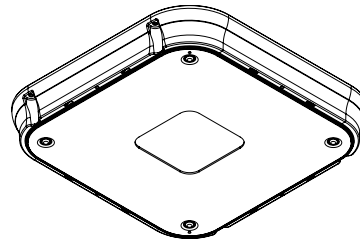
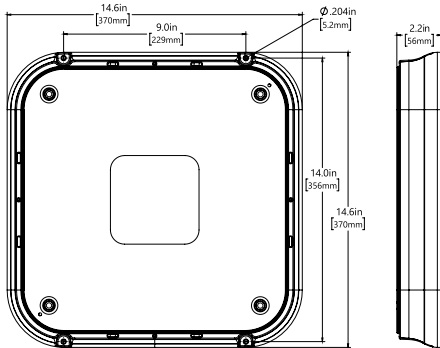
PROJECT NAME _____

DATE _____ TYPE _____

CATALOG NUMBER _____

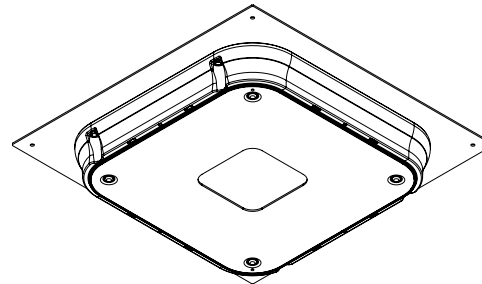
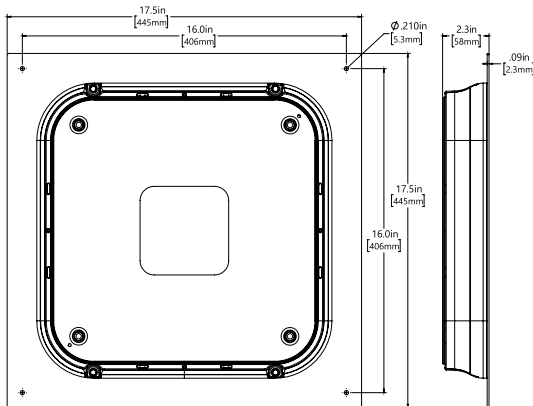
Surface Mount: SM

TOTAL WEIGHT (LBS.): 10.1



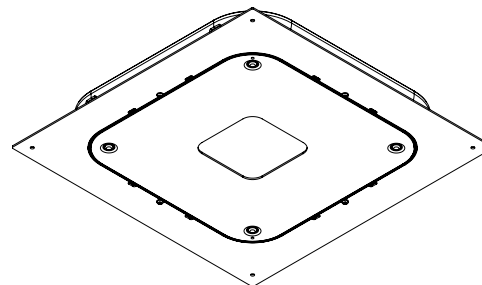
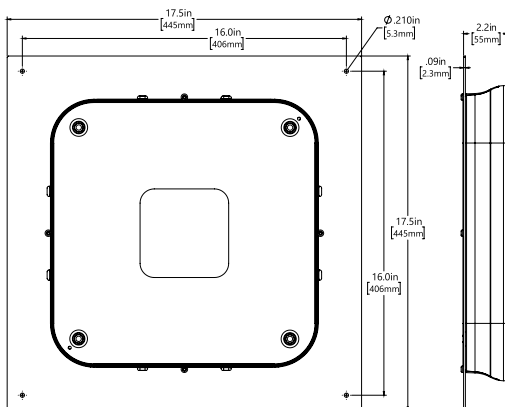
Surface Mount with Beauty Plate: SB

TOTAL WEIGHT (LBS.): 10.7



Recessed Mount: RM

TOTAL WEIGHT (LBS.): 12.4



Submitting Agency:



lighting > electrical > energy
technology > signs
214-351-6266

Description: **ECLS010A5SM740-DIMMING-SM-WHITE**
Project: **JPMC WHITNEY**
Notes:

Type:

L6-A

EVOLVE

ECLS Soffit LED Canopy Light

CUSTOMER NAME _____

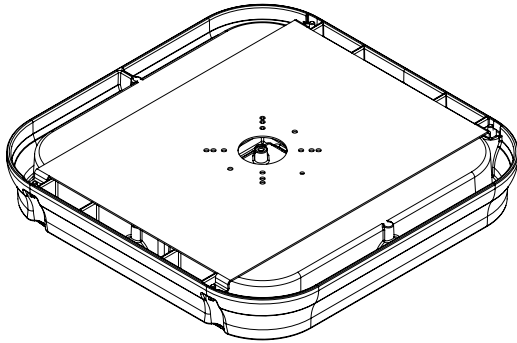
PROJECT NAME _____

DATE _____ TYPE _____

CATALOG NUMBER _____

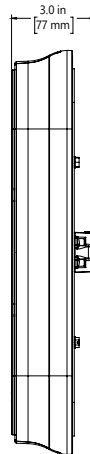
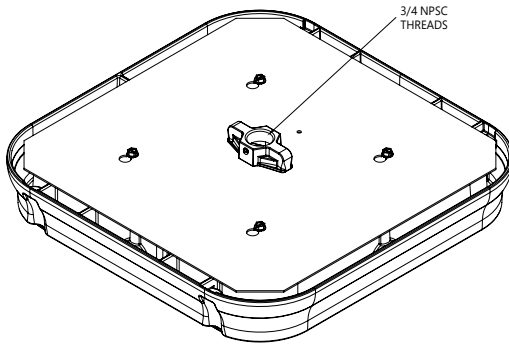
J-Box Mount (JM) for 3" or 4" J-box

Total Weight (lbs.): 11.1



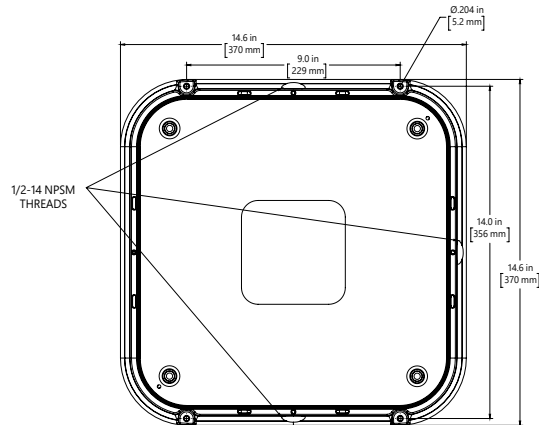
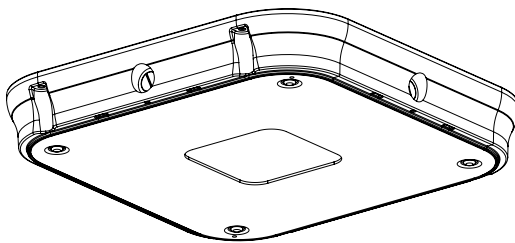
Pendant Mount (PM) *for rigid conduit only

Total Weight (lbs.): 11.5



Side Conduit Holes: SC

Total Weight (lbs.): XX





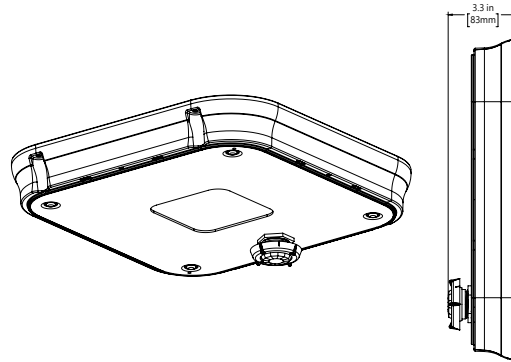
EVOLVE

ECLS Soffit LED Canopy Light

CUSTOMER NAME _____
PROJECT NAME _____
DATE _____ TYPE _____
CATALOG NUMBER _____

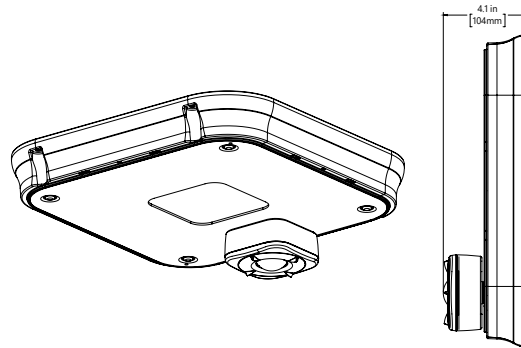
A Motion Sensing Option - Wattstopper: Sensor FSP-211, Lens FSP-L2

| | |
|-------------------------------------|--|
| Recommended Mounting Height: | 8-25' |
| Coverage Radius: | 15-20' (4.6-6.1 m) |
| Lateral Coverage: | 360° |
| Default Settings: | |
| Output: | Occupied - 100% / Unoccupied - 50% |
| PE Sensor: | Enabled |
| Ramp/Fade: | 5 Minutes/5 Minutes Adds < 1W to fixture power rating Field programmable using FSIR-100 hand held programmer |



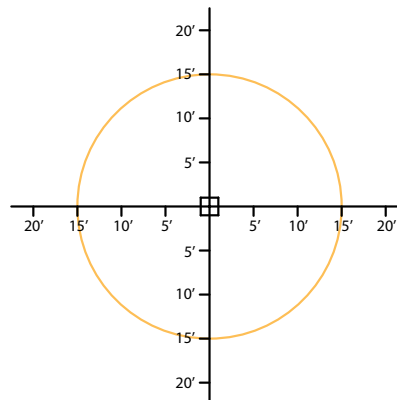
B Motion Sensing Option - Daintree: WHS100-BM

| | |
|-------------------------------------|--|
| Recommended Mounting Height: | 8-25' |
| Coverage Radius: | 15-20' (4.6-6.1 m) |
| Lateral Coverage: | 360° |
| Default Settings: | |
| Output: | Occupied - 100%/Unoccupied - 50% |
| PE Sensor: | Enabled |
| Ramp/Fade: | 5 Minutes/5 Minutes Adds < 1W to fixture power rating Requires Daintree Enterprise and wide area control (WAC) |



Approximate Sensor Pattern for A & B Option

- Canopy Fixture 15 ft. Mounting Height

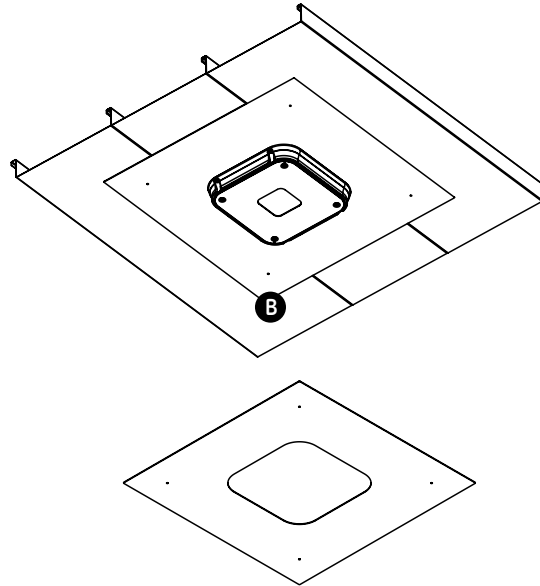
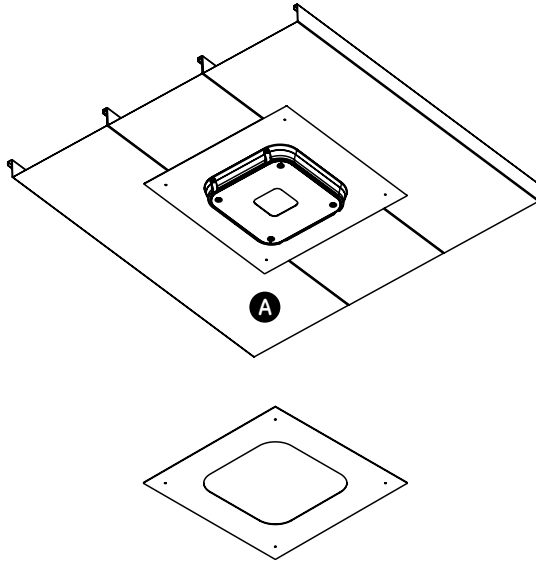




EVOLVE

ECLS Soffit
LED Canopy Light

CUSTOMER NAME _____
PROJECT NAME _____
DATE _____ TYPE _____
CATALOG NUMBER _____



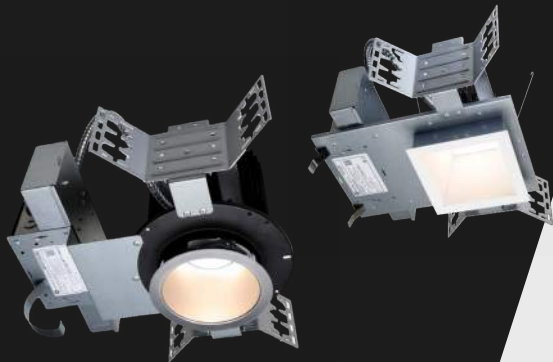
mounting

- J-Box
- Pendant Mount
- Surface Mount
- Surface Mount with 17.5" x 17.5 Beauty Plate
- Recessed Mount with 17.5" x 17.5 Mounting Plate

Beauty Plates

- 24" & 32" Escutcheon plates designed to cover unsightly canopy ceilings

| PRODUCT | SERIES | DESCRIPTION | COLOR |
|---------|----------------------|--------------------|--------------------|
| ECL | E = Escutcheon Plate | 1 = 24" x 24" ECLS | BLCK = Black |
| | | 2 = 32" x 32" ECLS | DKBZ = Dark Bronze |
| | | 3 = 24" x 24" ECLP | WHTE = White |
| | | 4 = 32" x 32" ECLP | |



CUSTOMER NAME _____
Project Name _____
Date _____ Type _____
Catalog Number _____

Decaux Series

New Construction Downlight

The **Decaux Series** leverages an advanced LED optical system and superior color rendering to achieve premium performance and aesthetics. Available in a variety of mechanical, performance and aesthetic configurations to meet any spec.

CONSTRUCTION

| | |
|--------------------------|--|
| Housing: | Galvanized steel |
| Lens: | Non-conductive Polycarbonate (standard); Glass (wet rated) |
| Paint: | Powder coat painted reflector options |
| Weight: | 4.5–8.0lbs (2.0–3.6kg), 7.0lb (3.18kg) Standard Option |
| Optical Assembly: | High efficiency reflector and optical diffuser |

OPTICAL SYSTEM

| | |
|----------------------|--|
| Lumens: | 1000–6000lm |
| Distribution: | Round Reflector: Narrow (42°), Wide (59°), Very Wide (70°), Wall Wash Square Reflector: Medium (47.5°), Wide (59°), Wall Wash |
| Efficacy: | Up to 118 LPW |
| CCT: | 3000K, 3500K, 4000K |
| CRI (Min): | TriGain® 90 CRI: 1000–4000lm 90 CRI: 5000–6000lm |

ELECTRICAL

| | |
|--|---|
| Input Voltage: | 120–277V, 347V |
| Input Frequency: | 50/60Hz |
| Standard Dimming Control: | 0–10V 1%, Daintree Wireless compatible, Lutron EcoSystem 0.1% |
| Power Factor (PF)*: | >90% |
| Total Harmonic Distortion (THD)*: | <20% |

* System PF and THD specified at rated watts

CONTROLS

| | |
|-----------------|--|
| Dimming: | Standard 0–10V, 1% Daintree® Compatible w/ Controls Kit (see Ordering for additional info) |
| Sensors: | Lutron LDE1 Hi-lume 0.1% Ecosystem w/Soft-on, Fade-to-Black |

OPERATING AMBIENT TEMPERATURE

| Product ID | Operating Temperature |
|------------|-----------------------|
| LDXB | -20° to +35° C |

NOTE: EL version is 0° to 30° C

OPERATING AMBIENT TEMPERATURE

| | |
|---|------------------|
| Projected Lxx per IES TM-21 at max 25°C | |
| LXX(10K) @ Hours | 50,000 HR |
| L85 | |

MOUNTING

- New Construction, interior applications—Drywall or T-Grid

DESIGN LIFE & WARRANTY

- Damp Location rated, Wet rated lens option (round only)
- Current's Limited 5-year Warranty:
Please refer to document [IND599](#) for more information.





Decaux Series
New Construction Downlight

CUSTOMER NAME

Project Name _____

Date _____ Type _____

Catalog Number _____

Catalog Logic

NOTE: A complete fixture consists of a **Configured Housing + Reflector**

Configured Housing:

LDXB

| FAMILY | FIXTURE TYPE | VOLTAGE | NOMINAL LUMEN | CRI | CCT | CONTROLS | OPTIONS |
|--|------------------------------|---|---|--|--|--|--|
| LDXB = Luxscena® LDX Series Architectural Downlight, 2 nd Generation | 4R = 4" Round | 0 = Universal 120V-277V D = 347V | 10 ¹² = 1000lm | T = TriGain® 90 CRI 9 ¹⁰ = 90 CRI | 30 = 3000K 35 = 3500K 40 = 4000K | V1 ⁵ = 0-10V, 1% dimming TQ ⁹ = Daintree® Enterprise Wireless Enabled (Up to 4000lm) TS ⁹ = Daintree® Enterprise Wireless Enabled with Daintree WFA100 (Up to 4000lm) LE = Lutron Hi-lume, Premier 0.1% EcoSystem with Soft-on, Fade-to-Black dimming (Up to 2000lm) | (BLANK) = None EL ^{5,9} = EMBB (Up to 4000lm) WW = Wall Wash Requires wall wash reflector |
| | 4S = 4" Square | | 15 ¹² = 1500lm | | | | |
| | 6R = 6" Round | | 20 ¹² = 2000lm | | | | |
| | 6S = 6" Square | | 30 ¹² = 3000lm | | | | |
| | | | 40 ¹² = 4000lm | | | | |
| | | | 50 ^{10,11} = 5000lm | | | | |
| | 60 ^{10,11} = 6000lm | | | | | | |
| | | | *See Performance Section for delivered lumens | | | | |

Round Reflector:

R DI R

| REFLECTOR | HOUSING TYPE | BEAM SPREAD | REFLECTOR FINISH | REFLECTOR COLOR | FLANGE COLOR | OPTIONS |
|---------------|------------------------------|--------------------------------|--------------------------------|---|---|-----------------------------|
| R = Reflector | DI4R ¹ = 4" Round | N = Narrow 42° | SD ⁴ = Semi-Diffuse | (BLANK) = None | MR ⁴ = Match Reflector | (BLANK) = None |
| | DI6R ¹ = 6" Round | W ^{1,4} = Wide 59° | DF = Diffuse | WT ^{2,4} = White Paint | WT ² = White Paint | WR ⁴ = Wet Rated |
| | | V ⁸ = Very Wide 70° | SP = Specular | PT ^{2,4} = Painted (white reflector color only) | Custom colors available. See Ordering Note 6 | XT ³ = Trimless |
| | | WW ^{1,7} = Wall Wash | | | | |

Additional Ordering Notes:

1. RDI4R and RDI4S reflectors only available in W and WW beam spread.
2. White painted (WT) reflectors only available in PT reflector finish and WT or XT flange finish
3. Trimless (XT) only available in selected combinations. Please refer to page 3 for more information.
4. Wet rated (WR) only available in 4in and 6in Wide (W) round reflectors and semi-diffuse (SD) or painted (PT) reflector finishes.
5. Emergency battery (EL) compatible only with 0-10V (V1) and not available for 347V (D).
6. Custom Colors available. Contact factory representative for quote.
7. Wall Wash (WW) reflectors are not Energy Star rated.
8. Very Wide (V) available in 6" reflector only
9. Requires extended frame configuration
10. 5000 & 6000lm packages are 90 CRI only
11. 5000 & 6000lm packages only available in 6R and 6S
12. Up to 4000lm, only 4S or 4R available (if 4S or 4R selected, 1000, 1500, 2000, 3000, 4000 lumens are available)

Square Reflector:

R DI S

| REFLECTOR | HOUSING TYPE | BEAM SPREAD | REFLECTOR FINISH | REFLECTOR COLOR | FLANGE COLOR | OPTIONS |
|---------------|-------------------------------|-------------------------------|-------------------|---|---|----------------------------|
| R = Reflector | DI4S ¹ = 4" Square | M = Narrow 42° | SD = Semi-Diffuse | (BLANK) = None | MR = Match Reflector | (BLANK) = None |
| | DI6S ¹ = 6" Square | W ¹ = Wide 59° | DF = Diffuse | WT ² = White Paint | WT ² = White Paint | |
| | | WW ^{1,9} = Wall Wash | SP = Specular | PT ² = Painted (white reflector color only) | Custom colors available. See Ordering Note 6 | XT ³ = Trimless |

*Refer to next page for additional reflector information

TRIGAIN® SCALING TABLE

| CCT | SCALING FACTOR |
|-------|----------------|
| 3000K | 0.97 |
| 3500K | 1.00 |
| 4000K | 1.02 |

PERFORMANCE TABLE

| NOMINAL LUMENS | 1000 | 1500 | 2000 | 3000 | 4000 | 5000 | 6000 | |
|--------------------------|------|------|------|------|------|------|------|--|
| Fixture Delivered Lumens | 1100 | 1650 | 2150 | 3100 | 4000 | 4970 | 5905 | |
| System Input Power (W) | 9.4 | 14.0 | 18.5 | 27.5 | 37.5 | 60.4 | 73.4 | |
| System Efficacy (LPW) | 117 | 118 | 116 | 113 | 107 | 92 | 80 | |
| CRI | 90 | | | | | | 92 | |
| R9 | 96 | | | | | | >60 | |

Configuration Notes:

1. Table based on 3500K/4000K CCT using semi-diffused finish with 120V Input
2. White painted reflectors are ~30% reduction in performance

Submitting Agency:



lighting > electrical > energy
technology > signs
214-351-6266

Description: **LDXB4R010T35V1+RDI4RWPTWTWTWR**
Project: **JPMC WHITNEY**
Notes:

Type:

L7B

Decaux Series
New Construction Downlight

CUSTOMER NAME

Project Name _____

Date _____ Type _____

Catalog Number _____

Accessories**HANGER BARS** (ACCESSORY - ORDERED SEPARATELY)

| MATERIAL | MATERIAL DESCRIPTION | PRODUCT DESCRIPTION |
|----------|-----------------------------------|---|
| 93110306 | BH3 - 2 bars required per fixture | HANGER BARS, C-CHANNEL - 25 1/4" (BOXED PAIR) |

STOCKED REFLECTORS

| MATERIAL | MATERIAL DESCRIPTION | PRODUCT DESCRIPTION |
|----------|----------------------|--|
| 93984 | RDI4RWSDMR | 4" ROUND REFLECTOR, WIDE, SEMI-DIFFUSED, CLEAR REFLECTOR AND TRIM |
| 93985 | RDI4RWSDWT | 4" ROUND REFLECTOR, WIDE, SEMI-DIFFUSED, CLEAR REFLECTOR, WHITE TRIM |
| 93986 | RDI4RWSDMR | 4" SQUARE REFLECTOR, WIDE, SEMI-DIFFUSED, CLEAR REFLECTOR, TRIM |
| 93987 | RDI4SWSDWT | 4" SQUARE REFLECTOR, WIDE, SEMI-DIFFUSED, CLEAR REFLECTOR, AND TRIM |
| 93988 | RDI6RNSDMR | 6" ROUND REFLECTOR, NARROW, SEMI-DIFFUSED, CLEAR REFLECTOR AND TRIM |
| 93989 | RDI6RNSDWT | 6" ROUND REFLECTOR, NARROW, SEMI-DIFFUSED, CLEAR REFLECTOR, WHITE TRIM |
| 93990 | RDI6RWSDMR | 6" ROUND REFLECTOR, WIDE, SEMI-DIFFUSED, CLEAR REFLECTOR AND TRIM |
| 93991 | RDI6RWSDWT | 6" ROUND REFLECTOR, WIDE, SEMI-DIFFUSED, CLEAR REFLECTOR, WHITE TRIM |
| 93992 | RDI6SMSDMR | 6" SQUARE REFLECTOR, MEDIUM, SEMI DIFFUSED, POLISHED FLANGE |
| 93993 | RDI6SMSDWT | 6" SQUARE REFLECTOR, MEDIUM, SEMI-DIFFUSED, AND TRIM |
| 93994 | RDI6SWSDMR | 6" SQUARE REFLECTOR, WIDE, SEMI-DIFFUSED, AND FLANGE |
| 93995 | RDI6SWSDWT | 6" SQUARE REFLECTOR, WIDE, SEMI-DIFFUSED, AND FLANGE |

TRIMLESS REFLECTOR OPTIONS

| MATERIAL | MATERIAL DESCRIPTION | PRODUCT DESCRIPTION |
|----------|----------------------|--|
| 93055787 | RDI4RWSDXT | 4" ROUND REFLECTOR, WIDE, SEMI-DIFFUSED, CLEAR REFLECTOR, FLANGELESS |
| 93068237 | RDI4RWPTWTXT | 4" ROUND REFLECTOR, WIDE, PAINTED, WHITE REFLECTOR, FLANGELESS |
| 93068243 | RDI4RWDFBLXT | 4" ROUND REFLECTOR, WIDE, DIFFUSED, BLACK REFLECTOR, FLANGELESS |
| 93067885 | RDI6RWSDXT | 6" ROUND REFLECTOR, WIDE, SEMI-DIFFUSED, CLEAR REFLECTOR, FLANGELESS |
| 93068239 | RDI6RWPTWTXT | 6" ROUND REFLECTOR, WIDE, PAINTED, WHITE REFLECTOR, FLANGELESS |
| 93068241 | RDI6RWDFBLXT | 6" ROUND REFLECTOR, WIDE, DIFFUSED, BLACK REFLECTOR, FLANGELESS |

REPLACEMENT LIGHT ENGINE KIT

| SKU | CATALOG NUMBER | DESCRIPTION | FIXTURE CATALOG NUMBER |
|----------|--------------------|--|------------------------|
| 93136732 | RK-LDX-B-LE-PFS-30 | Light Engine 3000K CCT | LDXB****T30** |
| 93136733 | RK-LDX-B-LE-PFS-35 | Light Engine 3500K CCT | LDXB****T35** |
| 93136734 | RK-LDX-B-LE-PFS-40 | Light Engine 4000K CCT | LDXB****T40** |
| 93146693 | RK-LDX-B-LE-90-30 | Light Engine, High Lumen (5000/6000lm) 3000K CCT | LDXB**50/60**T30 |
| 93146694 | RK-LDX-B-LE-90-35 | Light Engine, High Lumen (5000/6000lm) 3500K CCT | LDXB**50/60**T35 |
| 93146695 | RK-LDX-B-LE-90-40 | Light Engine, High Lumen (5000/6000lm) 4000K CCT | LDXB**50/60**T40 |

Submitting Agency:



lighting > electrical > energy
technology > signs
214-351-6266

Description: **LDXB4R010T35V1+RDI4RWPTWTWTWR**
Project: **JPMC WHITNEY**
Notes:

Type:

L7B



Decaux Series
New Construction Downlight

CUSTOMER NAME

Project Name _____

Date _____ Type _____

Catalog Number _____

Accessories

REPLACEMENT POWER SUPPLIES

| SKU | CATALOG NUMBER | DESCRIPTION | FIXTURE CATALOG NUMBER |
|----------|----------------------------|---|------------------------|
| 93136735 | RK-LDX-B-PS-25-280-0-V1 | Power Supply Unit - 1000lm, 0-10V, 120-277V | LDXB**010***V1 |
| 93136746 | RK-LDX-B-PS-25-420-0-V1 | Power Supply Unit - 1500lm, 0-10V, 120-277V | LDXB**015***V1 |
| 93136747 | RK-LDX-B-PS-25-560-0-V1 | Power Supply Unit - 2000lm, 0-10V, 120-277V | LDXB**020***V1 |
| 93136748 | RK-LDX-B-PS-55-840-0-V1 | Power Supply Unit - 3000lm, 0-10V, 120-277V | LDXB**030***V1 |
| 93136749 | RK-LDX-B-PS-55-1120-0-V1 | Power Supply Unit - 4000lm, 0-10V, 120-277V | LDXB**040***V1 |
| 93136750 | RK-LDX-B-PS-25-280-D-V1 | Power Supply Unit - 1000lm, 0-10V, 347V | LDXB**D10***V1 |
| 93136751 | RK-LDX-B-PS-25-420-D-V1 | Power Supply Unit - 1500lm, 0-10V, 347V | LDXB**D15***V1 |
| 93136752 | RK-LDX-B-PS-25-560-D-V1 | Power Supply Unit - 2000lm, 0-10V, 347V | LDXB**D20***V1 |
| 93136753 | RK-LDX-B-PS-40-840-D-V1 | Power Supply Unit - 3000lm, 0-10V, 347V | LDXB**D30***V1 |
| 93136754 | RK-LDX-B-PS-40-1120-D-V1 | Power Supply Unit - 4000lm, 0-10V, 347V | LDXB**D40***V1 |
| 93136755 | RK-LDX-B-PS-25-280-0-TQ | Power Supply Unit - 1000lm, TQ option | DXB**010***TQ |
| 93136756 | RK-LDX-B-PS-25-420-0-TQ | Power Supply Unit - 1500lm, TQ option | DXB**015***TQ |
| 93136757 | RK-LDX-B-PS-25-560-0-TQ | Power Supply Unit - 2000lm, TQ option | DXB**020***TQ |
| 93136758 | RK-LDX-B-PS-55-840-0-TQ | Power Supply Unit - 3000lm, TQ option | DXB**030***TQ |
| 93136759 | RK-LDX-B-PS-55-1120-0-TQ | Power Supply Unit - 4000lm, TQ option | DXB**040***TQ |
| 93136760 | RK-LDX-B-PS-25-280-0-TS | Power Supply Unit - 1000lm, TS option | LDXB**010***TS |
| 93136761 | RK-LDX-B-PS-25-420-0-TS | Power Supply Unit - 1500lm, TS option | LDXB**015***TS |
| 93136762 | RK-LDX-B-PS-25-560-0-TS | Power Supply Unit - 2000lm, TS option | LDXB**020***TS |
| 93136763 | RK-LDX-B-PS-55-840-0-TS | Power Supply Unit - 3000lm, TS option | LDXB**030***TS |
| 93136764 | RK-LDX-B-PS-55-1120-0-TS | Power Supply Unit - 4000lm, TS option | LDXB**040***TS |
| 93136765 | RK-LDX-B-EMBB-25-280-0-V1 | Power Supply Unit - 1000lm, 0-10V, 120-277V, EL | LDXB**010***V1EL |
| 93136766 | RK-LDX-B-EMBB-25-420-0-V1 | Power Supply Unit - 1500lm, 0-10V, 120-277V, EL | LDXB**015***V1EL |
| 93136767 | RK-LDX-B-EMBB-25-560-0-V1 | Power Supply Unit - 2000lm, 0-10V, 120-277V, EL | LDXB**020***V1EL |
| 93136768 | RK-LDX-B-EMBB-55-840-0-V1 | Power Supply Unit - 3000lm, 0-10V, 120-277V, EL | LDXB**030***V1EL |
| 93136769 | RK-LDX-B-EMBB-55-1120-0-V1 | Power Supply Unit - 4000lm, 0-10V, 120-277V, EL | LDXB**040***V1EL |
| 93146568 | RK-LDX-B-PS-95-1750-V1 | Power Supply Unit - 5000lm, 0-10V, 120-277V | LDXB**050***V1 |
| 93146569 | RK-LDX-B-PS-95-2100-V1 | Power Supply Unit - 6000lm, 0-10V, 120-277V | LDXB**060***V1 |



Decaux Series
New Construction Downlight

CUSTOMER NAME

Project Name _____

Date _____ Type _____

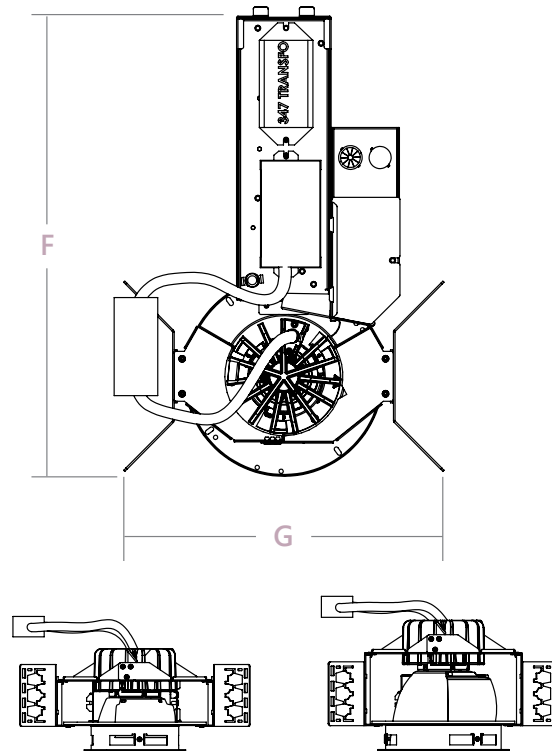
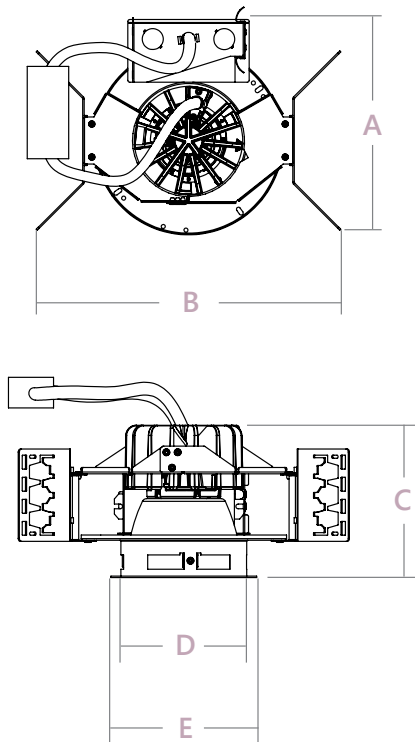
Catalog Number _____

Dimensions

Standard Round (1000–4000lm)

Round (Frame Extension)

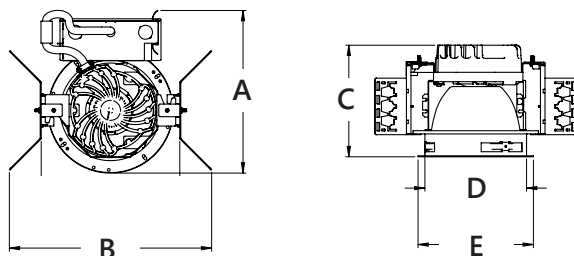
NOTE: Up to 4000lm for TQ, TS, LE and EL options



| 4" ROUND | 4" ROUND EXTENSIONS | 6" ROUND | 6" ROUND EXTENSIONS |
|-----------------|---------------------|-----------------|---------------------|
| A = 9" (223mm) | F = 19" (473mm) | A = 9" (241mm) | A = 9" (241mm) |
| B = 13" (323mm) | G = 13" (323mm) | B = 13" (323mm) | B = 13" (323mm) |
| C = 6" (148mm) | | C = 6" (184mm) | C = 6" (184mm) |
| D = 5" (123mm) | | D = 5" (162mm) | D = 5" (162mm) |
| E = 6" (142mm) | | E = 6" (184mm) | E = 6" (184mm) |

NOTE: Wall wash and non-wall wash have the same dimensions

High Lumen (HL) Round Dimensions (5000lm & 6000lm)



| HL 6" ROUND | HL 6" ROUND EXTENSIONS |
|-----------------|------------------------|
| A = 10" (259mm) | A = 11" (275mm) |
| B = 13" (323mm) | B = 13" (323mm) |
| C = 7" (178mm) | C = 7" (178mm) |
| D = 6" (162mm) | D = 6" (162mm) |
| E = 7" (184mm) | E = 7" (184mm) |

NOTE: For 347V version use extension dimensions



Decaux Series
New Construction Downlight

CUSTOMER NAME

Project Name _____

Date _____ Type _____

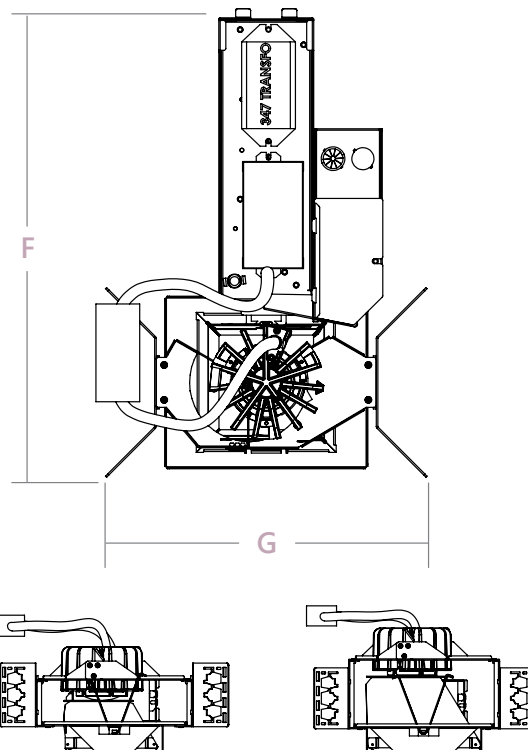
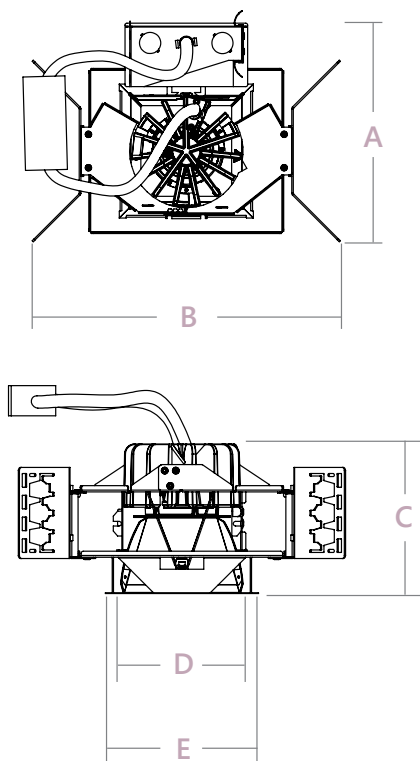
Catalog Number _____

Dimensions

Standard Square (1000–4000lm)

Square (Frame Extension)

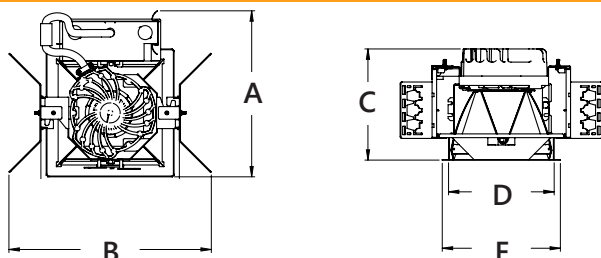
NOTE: Up to 4000lm for TQ, TS, LE and EL options



| 4" SQUARE | 4" SQUARE EXTENSIONS | 6" SQUARE | 6" SQUARE EXTENSIONS |
|---|------------------------------------|--|------------------------------------|
| A = 9" (229mm) B = 13" (323mm) C = 6" (148mm) D = 5" (137mm) E = 6" (154mm) | F = 19" (473mm) G = 13" (323mm) | A = 10" (245mm) B = 13" (323mm) C = 7" (183mm) D = 7" (168mm) E = 7" (188mm) | F = 19" (473mm) G = 13" (323mm) |

NOTE: Wall wash and non-wall wash have the same dimensions

High Lumen (HL) Square Dimensions (5000lm & 6000lm)



| HL 6" SQUARE | HL 6" SQUARE EXTENSIONS |
|--|--|
| A = 10" (265mm) B = 13" (323mm) C = 7" (177mm) D = 7" (168mm) E = 7" (188mm) | A = 11" (280mm) B = 13" (323mm) C = 7" (177mm) D = 7" (168mm) E = 7" (188mm) |

NOTE: For 347V version use extension dimensions



Decaux Series
New Construction Downlight

CUSTOMER NAME

Project Name _____

Date _____ Type _____

Catalog Number _____

Nominal Lumens



PERFORMANCE TABLE

| NOMINAL LUMENS | 1000 | 1500 | 2000 | 3000 | 4000 | 5000 | 6000 | |
|--------------------------|------|------|------|------|------|------|------|--|
| Fixture Delivered Lumens | 1100 | 1650 | 2150 | 3100 | 4000 | 4970 | 5905 | |
| System Input Power (W) | 9.4 | 14.0 | 18.5 | 27.5 | 37.5 | 60.4 | 73.4 | |
| System Efficacy (LPW) | 117 | 118 | 116 | 113 | 107 | 92 | 80 | |
| CRI | 90 | | | | | | 92 | |
| R9 | 96 | | | | | | >60 | |

Configuration Notes:

- 1. Table based on 3500K/4000K CCT using semi-diffused finish with 120V Input
- 2. White painted reflectors are ~30% reduction in performance

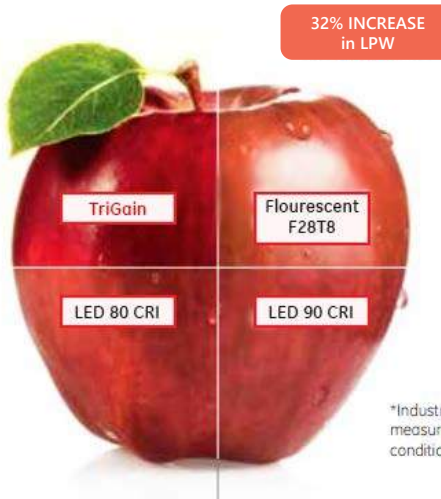
TRIGAIN® SCALING TABLE

| CCT | SCALING FACTOR |
|-------|----------------|
| 3000K | 0.97 |
| 3500K | 1.00 |
| 4000K | 1.02 |

COLOR WITHOUT COMPROMISE

Current's TriGain® technology, is perfect for bringing out the beauty of merchandising, fabrics, architectural details and objects. With 90 CRI, a R9 greater than 96 and 118 LPW (lumens per watt), ultimate color quality and minimal energy usage come together in a complete line of Lumination® LED fixtures. With TriGain®, colors and patterns appear more vivid, allowing for creation of sharper, clearer and more comfortably illuminated environments.

It's all the best of money-saving LED technology and a sophisticated design aesthetic. Why settle for anything less? With TriGain® technology, you get color without compromise.



*Industry standard 3030 LED measured at the same operating conditions



Decaux Series
New Construction Downlight

CUSTOMER NAME

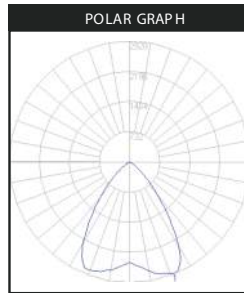
Project Name _____

Date _____ Type _____

Catalog Number _____

Photometrics

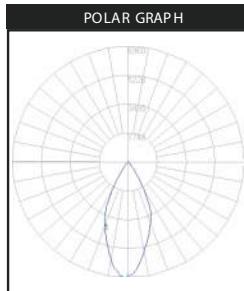
6" Round
VERY WIDE DISTRIBUTION
3990 Lumens
LDXB6RX40T35XX_RDI6RVSDXX



| ZONAL LUMEN SUMMARY | |
|---------------------|---------|
| Zone | Lumens |
| 0-10 | 247.01 |
| 10-20 | 786.71 |
| 20-30 | 1243.73 |
| 30-40 | 1037.59 |
| 40-50 | 499.93 |
| 50-60 | 136.37 |
| 60-70 | 29.21 |
| 70-80 | 8.05 |
| 80-90 | 1.83 |

| ZONAL LUMEN SUMMARY | | |
|---------------------|---------|--------------|
| Zone | Lumens | % of Fixture |
| 0-20 | 1033.72 | 25.80 |
| 0-30 | 2277.45 | 56.90 |
| 0-40 | 3315.04 | 82.90 |
| 0-60 | 3951.34 | 98.80 |
| 0-80 | 3988.59 | 99.70 |
| 0-90 | 3990.42 | 99.80 |
| 10-90 | 3743.41 | 93.60 |
| 20-40 | 2281.32 | 57.00 |
| 20-50 | 2781.25 | 69.50 |
| 40-70 | 665.5 | 16.60 |
| 60-80 | 37.25 | 0.90 |
| 70-80 | 8.05 | 0.20 |
| 80-90 | 1.83 | 0.00 |

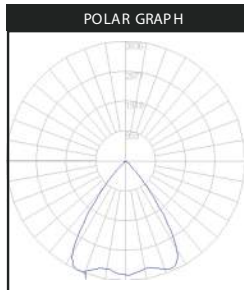
6" Square
NARROW DISTRIBUTION
3991 Lumens
LDXB6SX40T35XX_RDI6SNSDXX



| ZONAL LUMEN SUMMARY | |
|---------------------|---------|
| Zone | Lumens |
| 0-10 | 595.23 |
| 10-20 | 1306.33 |
| 20-30 | 1330.17 |
| 30-40 | 634.80 |
| 40-50 | 100.82 |
| 50-60 | 13.84 |
| 60-70 | 6.63 |
| 70-80 | 2.66 |
| 80-90 | 0.67 |

| ZONAL LUMEN SUMMARY | | |
|---------------------|---------|--------------|
| Zone | Lumens | % of Fixture |
| 0-20 | 1901.56 | 47.50 |
| 0-30 | 3231.73 | 80.80 |
| 0-40 | 3866.53 | 96.70 |
| 0-60 | 3981.19 | 99.50 |
| 0-80 | 3990.48 | 99.80 |
| 0-90 | 3991.15 | 99.80 |
| 10-90 | 3395.93 | 84.90 |
| 20-40 | 1964.97 | 49.10 |
| 20-50 | 2065.79 | 51.60 |
| 40-70 | 121.30 | 3.00 |
| 60-80 | 9.29 | 0.20 |
| 70-80 | 2.66 | 0.10 |
| 80-90 | 0.67 | 0.00 |

6" Square
WIDE DISTRIBUTION
3991 Lumens
LDXB6SX40T35XX_RDI6SWSDXX



| ZONAL LUMEN SUMMARY | |
|---------------------|---------|
| Zone | Lumens |
| 0-10 | 342.41 |
| 10-20 | 1026.9 |
| 20-30 | 1515.85 |
| 30-40 | 912.44 |
| 40-50 | 160.61 |
| 50-60 | 21.44 |
| 60-70 | 7.85 |
| 70-80 | 3.14 |
| 80-90 | 0.74 |

| ZONAL LUMEN SUMMARY | | |
|---------------------|---------|--------------|
| Zone | Lumens | % of Fixture |
| 0-20 | 1369.31 | 34.20 |
| 0-30 | 2885.16 | 72.10 |
| 0-40 | 3797.60 | 94.90 |
| 0-60 | 3979.65 | 99.50 |
| 0-80 | 3990.63 | 99.80 |
| 0-90 | 3991.38 | 99.80 |
| 10-90 | 3648.97 | 91.20 |
| 20-40 | 2428.29 | 60.70 |
| 20-50 | 2588.9 | 64.70 |
| 40-70 | 189.90 | 4.70 |
| 60-80 | 10.99 | 0.30 |
| 70-80 | 3.14 | 0.10 |
| 80-90 | 0.74 | 0.00 |



Decaux Series
New Construction Downlight

CUSTOMER NAME

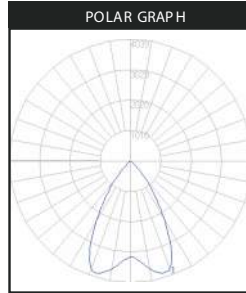
Project Name _____

Date _____ Type _____

Catalog Number _____

Photometrics

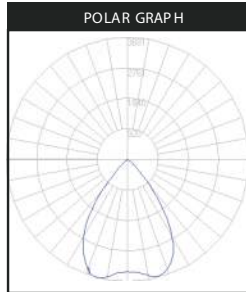
4" Round
WIDE DISTRIBUTION
4000 Lumens
LDXB4RX40T35XX_RDI4RWSDX



| ZONAL LUMEN SUMMARY | |
|---------------------|---------|
| Zone | Lumens |
| 0-10 | 329.89 |
| 10-20 | 1089.32 |
| 20-30 | 1430.65 |
| 30-40 | 889.38 |
| 40-50 | 236.87 |
| 50-60 | 16.44 |
| 60-70 | 5.76 |
| 70-80 | 1.99 |
| 80-90 | 0.12 |
| 90-100 | 0.00 |

| ZONAL LUMEN SUMMARY | | |
|---------------------|---------|--------------|
| Zone | Lumens | % of Fixture |
| 0-20 | 1419.21 | 35.50 |
| 0-30 | 2849.86 | 71.20 |
| 0-40 | 3739.24 | 93.50 |
| 0-60 | 3992.55 | 99.80 |
| 0-80 | 4000.31 | 100.00 |
| 0-90 | 4000.42 | 100.00 |

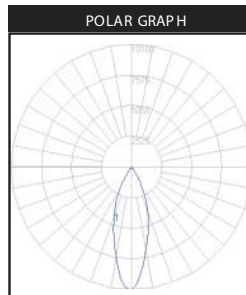
4" Square
WIDE DISTRIBUTION
3991 Lumens
LDXB4SX40T35XX_RDI4SWSDX



| ZONAL LUMEN SUMMARY | |
|---------------------|---------|
| Zone | Lumens |
| 0-10 | 332.21 |
| 10-20 | 997.12 |
| 20-30 | 1349.52 |
| 30-40 | 953.20 |
| 40-50 | 297.83 |
| 50-60 | 47.62 |
| 60-70 | 10.19 |
| 70-80 | 2.91 |
| 80-90 | 0.68 |
| 90-100 | 0.25 |

| ZONAL LUMEN SUMMARY | | |
|---------------------|---------|--------------|
| Zone | Lumens | % of Fixture |
| 0-20 | 1329.33 | 33.20 |
| 0-30 | 2678.85 | 67.00 |
| 0-40 | 3632.04 | 90.80 |
| 0-60 | 3977.49 | 99.40 |
| 0-80 | 3990.58 | 99.80 |
| 0-90 | 3991.27 | 99.80 |

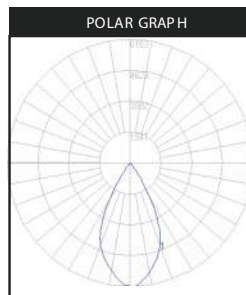
6" Round
NARROW DISTRIBUTION
4000 Lumens
LDXB6RX40T35XX_RDI6RNSDX



| ZONAL LUMEN SUMMARY | |
|---------------------|---------|
| Zone | Lumens |
| 0-10 | 806.99 |
| 10-20 | 1537.38 |
| 20-30 | 1239.05 |
| 30-40 | 371.00 |
| 40-50 | 31.54 |
| 50-60 | 7.00 |
| 60-70 | 3.97 |
| 70-80 | 2.13 |
| 80-90 | 0.89 |

| ZONAL LUMEN SUMMARY | | |
|---------------------|---------|--------------|
| Zone | Lumens | % of Fixture |
| 0-20 | 2344.38 | 58.60 |
| 0-30 | 3583.42 | 89.60 |
| 0-40 | 3594.42 | 98.90 |
| 0-60 | 3992.95 | 99.80 |
| 0-80 | 3999.06 | 100.00 |
| 0-90 | 3999.95 | 100.00 |
| 10-90 | 3192.96 | 79.80 |
| 20-40 | 1610.04 | 40.30 |
| 20-50 | 1641.58 | 41.00 |
| 40-70 | 42.51 | 1.10 |
| 60-80 | 6.11 | 0.20 |
| 70-80 | 2.13 | 0.10 |
| 80-90 | 0.89 | 0.00 |

6" Round
WIDE DISTRIBUTION
4000 Lumens
LDXB6RX40T35XX_RDI6RWSDX



| ZONAL LUMEN SUMMARY | |
|---------------------|---------|
| Zone | Lumens |
| 0-10 | 552.76 |
| 10-20 | 1390.28 |
| 20-30 | 1485.38 |
| 30-40 | 515.31 |
| 40-50 | 41.68 |
| 50-60 | 9.13 |
| 60-70 | 4.30 |
| 70-80 | 1.34 |
| 80-90 | 0.00 |

| ZONAL LUMEN SUMMARY | | |
|---------------------|---------|--------------|
| Zone | Lumens | % of Fixture |
| 0-20 | 1943.03 | 48.60 |
| 0-30 | 3428.41 | 85.70 |
| 0-40 | 3943.72 | 98.60 |
| 0-60 | 3994.53 | 99.90 |
| 0-80 | 4000.18 | 100.00 |
| 0-90 | 4000.18 | 100.00 |
| 10-90 | 3447.42 | 86.20 |
| 20-40 | 2000.69 | 50.00 |
| 20-50 | 2042.37 | 51.10 |
| 40-70 | 55.11 | 1.40 |
| 60-80 | 5.64 | 0.10 |
| 70-80 | 1.34 | 0.00 |
| 80-90 | 0.00 | 0.00 |



Decaux Series
New Construction Downlight

CUSTOMER NAME

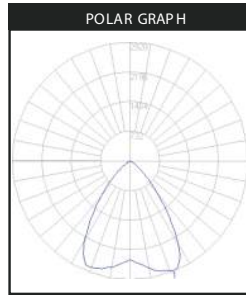
Project Name _____

Date _____ Type _____

Catalog Number _____

Photometrics

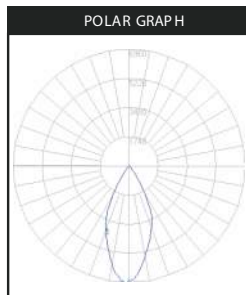
6" Round
VERY WIDE DISTRIBUTION
3990 Lumens
LDXB6RX40T35XX_RDI6RVSDXX



| ZONAL LUMEN SUMMARY | |
|---------------------|---------|
| Zone | Lumens |
| 0-10 | 247.01 |
| 10-20 | 786.71 |
| 20-30 | 1243.73 |
| 30-40 | 1037.59 |
| 40-50 | 499.93 |
| 50-60 | 136.37 |
| 60-70 | 29.21 |
| 70-80 | 8.05 |
| 80-90 | 1.83 |

| ZONAL LUMEN SUMMARY | | |
|---------------------|---------|--------------|
| Zone | Lumens | % of Fixture |
| 0-20 | 1033.72 | 25.80 |
| 0-30 | 2277.45 | 56.90 |
| 0-40 | 3315.04 | 82.90 |
| 0-60 | 3951.34 | 98.80 |
| 0-80 | 3988.59 | 99.70 |
| 0-90 | 3990.42 | 99.80 |
| 10-90 | 3743.41 | 93.60 |
| 20-40 | 2281.32 | 57.00 |
| 20-50 | 2781.25 | 69.50 |
| 40-70 | 665.50 | 16.60 |
| 60-80 | 37.25 | 0.90 |
| 70-80 | 8.05 | 0.20 |
| 80-90 | 1.83 | 0.00 |

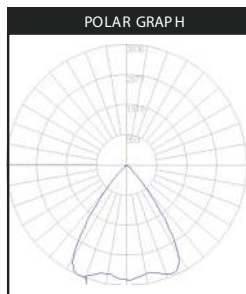
6" Square
NARROW DISTRIBUTION
3991 Lumens
LDXB6SX40T35XX_RDI6SNSDXX



| ZONAL LUMEN SUMMARY | |
|---------------------|---------|
| Zone | Lumens |
| 0-10 | 595.23 |
| 10-20 | 1306.33 |
| 20-30 | 1330.17 |
| 30-40 | 634.80 |
| 40-50 | 100.82 |
| 50-60 | 13.84 |
| 60-70 | 6.63 |
| 70-80 | 2.66 |
| 80-90 | 0.67 |

| ZONAL LUMEN SUMMARY | | |
|---------------------|---------|--------------|
| Zone | Lumens | % of Fixture |
| 0-20 | 1901.56 | 47.50 |
| 0-30 | 3231.73 | 80.80 |
| 0-40 | 3866.53 | 96.70 |
| 0-60 | 3981.19 | 99.50 |
| 0-80 | 3990.48 | 99.80 |
| 0-90 | 3991.15 | 99.80 |
| 10-90 | 3395.93 | 84.90 |
| 20-40 | 1964.97 | 49.10 |
| 20-50 | 2065.79 | 51.60 |
| 40-70 | 121.30 | 3.00 |
| 60-80 | 9.29 | 0.20 |
| 70-80 | 2.66 | 0.10 |
| 80-90 | 0.67 | 0.00 |

6" Square
WIDE DISTRIBUTION
3991 Lumens
LDXB6SX40T35XX_RDI6SWSDXX



| ZONAL LUMEN SUMMARY | |
|---------------------|---------|
| Zone | Lumens |
| 0-10 | 342.41 |
| 10-20 | 1026.9 |
| 20-30 | 1515.85 |
| 30-40 | 912.44 |
| 40-50 | 160.61 |
| 50-60 | 21.44 |
| 60-70 | 7.85 |
| 70-80 | 3.14 |
| 80-90 | 0.74 |

| ZONAL LUMEN SUMMARY | | |
|---------------------|---------|--------------|
| Zone | Lumens | % of Fixture |
| 0-20 | 1369.31 | 34.20 |
| 0-30 | 2885.16 | 72.10 |
| 0-40 | 3797.60 | 94.90 |
| 0-60 | 3979.65 | 99.50 |
| 0-80 | 3990.63 | 99.80 |
| 0-90 | 3991.38 | 99.80 |
| 10-90 | 3648.97 | 91.20 |
| 20-40 | 2428.29 | 60.70 |
| 20-50 | 2588.90 | 64.70 |
| 40-70 | 189.90 | 4.70 |
| 60-80 | 10.99 | 0.30 |
| 70-80 | 3.14 | 0.10 |
| 80-90 | 0.74 | 0.00 |



Decaux Series
New Construction Downlight

CUSTOMER NAME

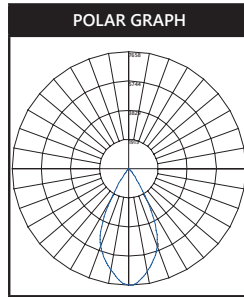
Project Name _____

Date _____ Type _____

Catalog Number _____

Photometrics

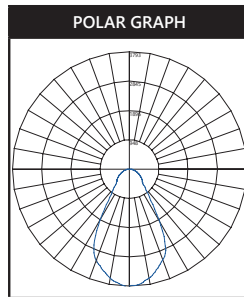
6" Round
HIGH LUMEN WIDE DISTRIBUTION
4970 Lumens
LDXB6RX50T35XX_RDI6RNSDX3



| ZONAL LUMEN SUMMARY | |
|---------------------|---------|
| Zone | Lumens |
| 0-10 | 686.80 |
| 10-20 | 1727.42 |
| 20-30 | 1845.58 |
| 30-40 | 640.28 |
| 40-50 | 51.79 |
| 50-60 | 11.35 |
| 60-70 | 5.35 |
| 70-80 | 1.66 |
| 80-90 | 0.00 |
| 90-100 | 0.00 |

| ZONAL LUMEN SUMMARY | | |
|---------------------|---------|--------------|
| Zone | Lumens | % of Fixture |
| 0-20 | 2414.22 | 48.60 |
| 0-30 | 4259.80 | 85.70 |
| 0-40 | 4900.08 | 98.60 |
| 0-60 | 4963.21 | 99.90 |
| 0-80 | 4970.23 | 100.00 |
| 0-90 | 4970.23 | 100.00 |
| 10-90 | 4283.42 | 86.20 |
| 20-40 | 2485.86 | 50.00 |
| 20-50 | 2537.64 | 51.10 |
| 40-70 | 68.49 | 1.40 |
| 60-80 | 7.01 | 0.10 |
| 70-80 | 1.66 | 0.00 |
| 80-90 | 0.00 | 0.00 |

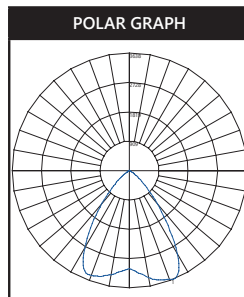
6" Round
HIGH LUMEN WIDE DISTRIBUTION (WHITE PAINT)
4622 Lumens
LDXB6RX50T35XX_RDI6RWSDWTXX



| ZONAL LUMEN SUMMARY | |
|---------------------|---------|
| Zone | Lumens |
| 0-10 | 352.25 |
| 10-20 | 950.22 |
| 20-30 | 1218.32 |
| 30-40 | 743.93 |
| 40-50 | 470.54 |
| 50-60 | 396.16 |
| 60-70 | 285.91 |
| 70-80 | 160.51 |
| 80-90 | 44.73 |
| 90-100 | 0.00 |

| ZONAL LUMEN SUMMARY | | |
|---------------------|---------|--------------|
| Zone | Lumens | % of Fixture |
| 0-20 | 1302.47 | 28.20 |
| 0-30 | 2520.79 | 54.50 |
| 0-40 | 3264.72 | 70.60 |
| 0-60 | 4131.42 | 89.40 |
| 0-80 | 4577.84 | 99.00 |
| 0-90 | 4622.57 | 100.00 |
| 10-90 | 4270.31 | 92.40 |
| 20-40 | 1962.25 | 42.40 |
| 20-50 | 2432.78 | 52.60 |
| 40-70 | 1152.61 | 24.90 |
| 60-80 | 446.42 | 9.70 |
| 70-80 | 160.51 | 3.50 |
| 80-90 | 44.73 | 1.00 |

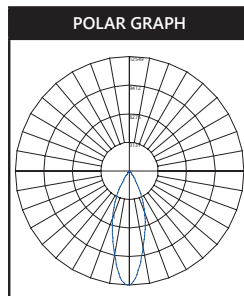
6" Round
HIGH LUMEN VERY WIDE DISTRIBUTION
4958 Lumens
LDXB6RX50T35XX_RDI6RVSDXX



| ZONAL LUMEN SUMMARY | |
|---------------------|---------|
| Zone | Lumens |
| 0-10 | 306.91 |
| 10-20 | 977.49 |
| 20-30 | 1545.33 |
| 30-40 | 1289.21 |
| 40-50 | 621.16 |
| 50-60 | 169.44 |
| 60-70 | 36.29 |
| 70-80 | 10.00 |
| 80-90 | 2.27 |
| 90-100 | 1.22 |

| ZONAL LUMEN SUMMARY | | |
|---------------------|---------|--------------|
| Zone | Lumens | % of Fixture |
| 0-20 | 1284.4 | 25.80 |
| 0-30 | 2829.73 | 56.90 |
| 0-40 | 4118.94 | 82.90 |
| 0-60 | 4909.54 | 98.80 |
| 0-80 | 4955.83 | 99.70 |
| 0-90 | 4958.1 | 99.80 |
| 10-90 | 4651.19 | 93.60 |
| 20-40 | 2834.54 | 57.00 |
| 20-50 | 3455.7 | 69.50 |
| 40-70 | 826.89 | 16.60 |
| 60-80 | 46.29 | 0.90 |
| 70-80 | 10.00 | 0.20 |
| 80-90 | 2.27 | 0.00 |

6" Round
HIGH LUMEN NARROW DISTRIBUTION
4969 Lumens
LDXB6RX50T35XX_RDI6RNSDX3



| ZONAL LUMEN SUMMARY | |
|---------------------|---------|
| Zone | Lumens |
| 0-10 | 1002.69 |
| 10-20 | 1910.2 |
| 20-30 | 1539.52 |
| 30-40 | 460.96 |
| 40-50 | 39.19 |
| 50-60 | 8.69 |
| 60-70 | 4.94 |
| 70-80 | 2.65 |
| 80-90 | 1.11 |
| 90-100 | 0.00 |

| ZONAL LUMEN SUMMARY | | |
|---------------------|---------|--------------|
| Zone | Lumens | % of Fixture |
| 0-20 | 2912.89 | 58.60 |
| 0-30 | 4452.40 | 89.60 |
| 0-40 | 4913.37 | 98.90 |
| 0-60 | 4961.25 | 99.80 |
| 0-80 | 4968.84 | 100.00 |
| 0-90 | 4969.95 | 100.00 |
| 10-90 | 3967.27 | 79.80 |
| 20-40 | 2000.48 | 40.30 |
| 20-50 | 2039.67 | 41.00 |
| 40-70 | 52.82 | 1.10 |
| 60-80 | 7.59 | 0.20 |
| 70-80 | 2.65 | 0.10 |
| 80-90 | 1.11 | 0.00 |

Submitting Agency:lighting > electrical > energy
technology > signs
214-351-6266**Description:** LDXB4R010T35V1+RDI4RWPTWTWTWR
Project: JPMC WHITNEY
Notes:**Type:****L7B****Decaux Series**

New Construction Downlight

CUSTOMER NAME

Project Name _____

Date _____ Type _____

Catalog Number _____

Controls and Sensors**DAINTREE CONTROLS****Daintree® Wireless Controls:**

There is no one size fits all for wireless controls. Some networks want simple solutions that reduce energy consumption and meet code compliance while others are more ambitious, looking to capitalize on the LED and controls savings to fund a scalable, enterprise-grade, internet of things solution. The advantage of the Daintree® Wireless platform is it's ability to integrate into indoor, outdoor and high bay environments. The Daintree® Wireless Controls provide the infrastructure to future proof your buildings, easily upgrade to Networked solutions and provide the ability to integrate into IoT solutions that are right for your business.

- **Daintree® One:** Standalone Wireless Controls
- **Daintree® EZ Connect:** Room-Based Wireless Lighting Controls
- **Daintree® Networked:** Networked Lighting Controls for Smart Building & IoT Enablement

Daintree® Wireless Controls are already integrated in your favorite Current LED fixtures. Integrating the controls into the fixture cuts labor costs considerably since the sensors are already embedded in the lighting fixtures. There's no need to get above the ceiling plenum and install additional devices. Visit our website <https://products.gecurrent.com> for a complete list of LED Fixtures.

The LDX Series Architectural Luminaire will offer Daintree® Networked integral controls (Controls options TQ & TS). Integral sensors and IOT devices are not offered at this time.

Submitting Agency:



lighting > electrical > energy
technology > signs
214-351-6266

Description: XTOR6B-W
Project: JPMC WHITNEY
Notes:

Type:
L21-B

Lumark

DESCRIPTION

The patented Lumark Crosstour™ MAXX LED wall pack series of luminaires provides low-profile architectural style with super bright, energy-efficient LEDs. The rugged die-cast aluminum construction, back box with secure lock hinges, stainless steel hardware along with a sealed and gasketed optical compartment make Crosstour impervious to contaminants. The Crosstour MAXX wall luminaire is ideal for wall/surface, inverted mount for facade/canopy illumination, perimeter and site lighting. Typical applications include pedestrian walkways, building entrances, multi-use facilities, industrial facilities, perimeter parking areas, storage facilities, institutions, schools and loading docks.

SPECIFICATION FEATURES

Construction

Low-profile LED design with rugged one-piece, die-cast aluminum back box and hinged removable door. Matching housing styles incorporate both a full cutoff and refractive lens design. Full cutoff and refractive lens models are available in 58W, 81W and 102W. Patent pending secure lock hinge feature allows for safe and easy tool-less electrical connections with the supplied push-in connectors. Back box includes four 1/2" NPT threaded conduit entry points. The back box is secured by four lag bolts (supplied by others). External fin design extracts heat from the fixture surface. One-piece silicone gasket seals door and back box. Not recommended for car wash applications.

Optical

Silicone sealed optical LED chamber incorporates a custom engineered reflector providing high-efficiency illumination. Full cutoff models integrate an impact-resistant molded refractive prism optical lens assembly meeting requirements for Dark Sky compliance. Refractive lens models incorporate a molded lens

assembly designed for maximum forward throw. Solid state LED Crosstour MAXX luminaires are thermally optimized with eight lumen packages in cool 5000K, neutral 4000K, or warm 3000K LED color temperature (CCT).

Electrical

LED driver is mounted to the die-cast aluminum housing for optimal heat sinking. LED thermal management system incorporates both conduction and natural convection to transfer heat rapidly away from the LED source. 58W, 81W and 102W models operate in -40°C to 40°C [-40°F to 104°F]. High ambient 50°C [122°F] models available in 58W and 81W models only. Crosstour MAXX luminaires maintain greater than 89% of initial light output after 72,000 hours of operation. Four half-inch NPT threaded conduit entry points allow for thru-branch wiring. Back box is an authorized electrical wiring compartment. Integral LED electronic driver incorporates surge protection. 120-277V 50/60Hz, 480V 60Hz, or 347V 60Hz electrical operation. 480V is compatible for use with 480V Wye systems only.

Emergency Egress

Optional integral cold weather battery emergency egress includes emergency operation test switch (available in 58W and 81W models only), an AC-ON indicator light and a premium extended rated sealed maintenance-free nickel-metal hydride battery pack. The separate emergency lighting LEDs are wired to provide redundant emergency lighting. Listed to UL Standard 924, Emergency Lighting.

Area and Site Pole Mounting

Optional extruded aluminum 6-1/2" arm features internal bolt guides for supplied twin support rods, allowing for easy positioning of the fixture during installation to pole. Supplied with round plate adapter plate. Optional tenon adapter fits 2-3/8" or 3-1/2" O.D. Tenon.

Finish

Crosstour MAXX is protected with a super TGIC carbon bronze or summit white polyester powder coat paint. Super TGIC powder coat paint finishes withstand extreme climate conditions while providing optimal color and gloss retention of the installed life.

Warranty

Five-year warranty.

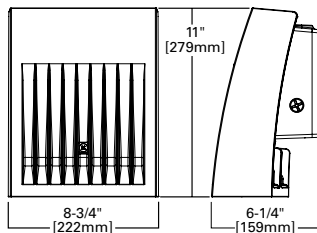


XTOR CROSSTOUR MAXX LED

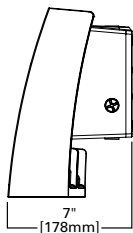
APPLICATIONS:
WALL / SURFACE
INVERTED
SITE LIGHTING

DIMENSIONS

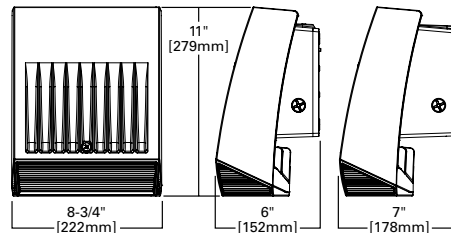
FULL CUTOFF



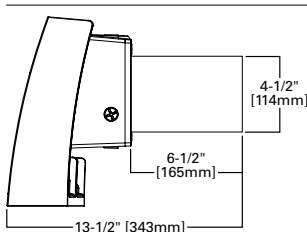
DEEP BACK BOX



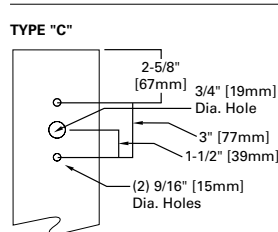
REFRACTIVE LENS



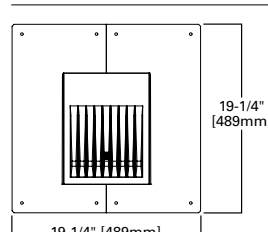
OPTIONAL POLE MOUNT ARM



ARM DRILLING



ESCUTCHEON PLATES



CERTIFICATION DATA

UL/cUL Wet Location Listed
LM79 / LM80 Compliant
ROHS Compliant
NOM Compliant Models
3G Vibration Tested
UL924 Listed (CBP Models)
IP66 Rated
DesignLights Consortium® Qualified*

TECHNICAL DATA

40°C Ambient Temperature
External Supply Wiring 90°C Minimum

EPA

Effective Projected Area (Sq. Ft.):
XTOR6B, XTOR8B, XTOR12B=0.54
With Pole Mount Arm=0.98

SHIPPING DATA:

Approximate Net Weight:
12-15 lbs. [5.4-6.8 kgs.]



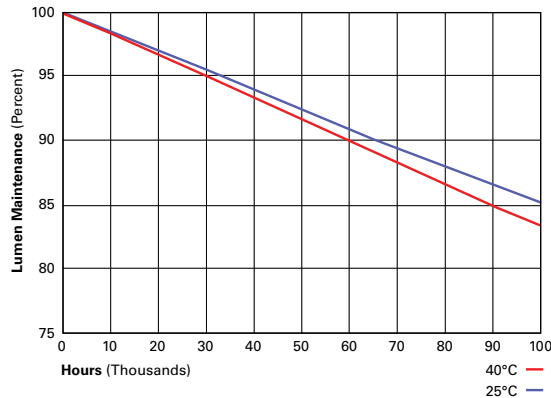


POWER AND LUMENS BY FIXTURE MODEL

| 58W Series | | | | | | |
|-----------------------------|--|-----------|-----------|--|-----------|-------------|
| LED Information | XTOR6B | XTOR6BRL | XTOR6B-W | XTOR6BRL-W | XTOR6B-Y | XTOR6BRL-Y |
| Delivered Lumens | 6,129 | 6,225 | 6,038 | 6,133 | 5,611 | 5,826 |
| B.U.G. Rating | B1-U0-G1 | B2-U4-G3 | B1-U0-G1 | B2-U4-G3 | B1-U0-G1 | B2-U4-G3 |
| CCT (Kelvin) | 5000K | 5000K | 4000K | 4000K | 3000K | 3000K |
| CRI (Color Rendering Index) | 70 | 70 | 70 | 70 | 70 | 70 |
| Power Consumption (Watts) | 58W | 58W | 58W | 58W | 58W | 58W |
| 81W Series | | | | | | |
| LED Information | XTOR8B | XTOR8BRL | XTOR8B-W | XTOR8BRL-W | XTOR8B-Y | XTOR8BRL-Y |
| Delivered Lumens | 8,502 | 8,635 | 8,373 | 8,504 | 7,748 | 8,079 |
| B.U.G. Rating | B2-U0-G1 | B2-U4-G3 | B2-U0-G1 | B2-U4-G3 | B2-U0-G1 | B2-U4-G3 |
| CCT (Kelvin) | 5000K | 5000K | 4000K | 4000K | 3000K | 3000K |
| CRI (Color Rendering Index) | 70 | 70 | 70 | 70 | 70 | 70 |
| Power Consumption (Watts) | 81W | 81W | 81W | 81W | 81W | 81W |
| 102W Series | | | | | | |
| LED Information | XTOR12B | XTOR12BRL | XTOR12B-W | XTOR12BRL-W | XTOR12B-Y | XTOR12BRL-Y |
| Delivered Lumens | 12,728 | 13,458 | 12,539 | 13,258 | 11,861 | 12,595 |
| B.U.G. Rating | B2-U0-G1 | B2-U4-G3 | B2-U0-G1 | B2-U4-G3 | B2-U0-G1 | B2-U4-G3 |
| CCT (Kelvin) | 5000K | 5000K | 4000K | 4000K | 3000K | 3000K |
| CRI (Color Rendering Index) | 70 | 70 | 70 | 70 | 70 | 70 |
| Power Consumption (Watts) | 102W | 102W | 102W | 102W | 102W | 102W |
| EGRESS Information | XTOR6B, XTOR8B and XTOR12B Full Cutoff CBP Egress LED | | | XTOR6B, XTOR8B and XTOR12B Refractive Lens CBP Egress LED | | |
| Delivered Lumens | 509 | | | 468 | | |
| B.U.G. Rating | N.A. | | | N.A. | | |
| CCT (Kelvin) | 4000K | | | 4000K | | |
| CRI (Color Rendering Index) | 65 | | | 65 | | |
| Power Consumption (Watts) | 1.8W | | | 1.8W | | |

LUMEN MAINTENANCE

| Ambient Temperature | TM-21 Lumen Maintenance (72,000 Hours) | Theoretical L70 (Hours) |
|----------------------|--|-------------------------|
| XTOR6B Model | | |
| 25°C | > 90% | 246,000 |
| 40°C | > 88% | 217,000 |
| 50°C | > 88% | 201,000 |
| XTOR8B Model | | |
| 25°C | > 89% | 219,000 |
| 40°C | > 87% | 195,000 |
| 50°C | > 86% | 181,000 |
| XTOR12B Model | | |
| 25°C | > 89% | 222,000 |
| 40°C | > 87% | 198,000 |



CURRENT DRAW

| Voltage | Model Series | | | | |
|---------|--------------|--------|---------|------------------------------|------------------------------|
| | XTOR6B | XTOR8B | XTOR12B | XTOR6B-CBP (Fixture/Battery) | XTOR8B-CBP (Fixture/Battery) |
| 120V | 0.51 | 0.71 | 0.94 | 0.60/0.25 | 0.92/0.25 |
| 208V | 0.25 | 0.39 | 0.52 | -- | -- |
| 240V | 0.25 | 0.35 | 0.45 | -- | -- |
| 277V | 0.22 | 0.31 | 0.39 | 0.36/0.21 | 0.50/0.21 |
| 347V | 0.19 | 0.25 | 0.33 | | -- |
| 480V | 0.14 | 0.19 | 0.24 | | -- |

Submitting Agency:



lighting > electrical > energy
technology > signs
214-351-6266

Description: **XTOR6B-W**
Project: **JPMC WHITNEY**
Notes:

Type:
L21-B

ORDERING INFORMATION

Sample Number: XTOR6B-W-WT-PC1

| Series ¹ | LED Kelvin Color | Housing Color | Options (Add as Suffix) |
|---|---|--|--|
| Full Cutoff XTOR6B=58W XTOR8B=81W XTOR12B=102W Refractive Lens XTOR6BRL=58W XTOR8BRL=81W XTOR12BRL=102W | [Blank]=Bright White (Standard) 5000K W=Neutral, 4000K Y=Warm, 3000K | [Blank]=Carbon Bronze (Standard) WT=Summit White BK=Black BZ=Bronze AP=Grey GM=Graphite Metallic DP=Dark Platinum | 347V=347V ^{2,3,4,5} 480V=480V ^{2,3,4,5,6} PC1=Photocontrol 120V ⁷ PC2=Photocontrol 208-277V ^{7,8} PMA=Pole Mount Arm (C Drilling) with Round Adapter ^{3,9} MS-L20=Motion Sensor for ON/OFF Operation ^{2,3,10,11} MS/DIM-L20=Motion Sensor for Dimming Operation ^{2,3,10,11,12,13,14} CBP=Cold Weather Battery Pack ^{2,3,15,16,17} HA=50°C High Ambient ¹⁷ |
| Accessories (Order Separately) | | | |
| WG-XTORMX=Crosstour MAXX Wire Guard PB120V=Field Installed 120V Photocontrol PB277V BUTTON PC=Field Installed 208-277V Photocontrol ⁸ VA1040-XX=Single Tenon Adapter for 3-1/2" O.D. Tenon ¹⁸ VA1041-XX=2@180° Tenon Adapter for 3-1/2" O.D. Tenon ¹⁸ VA1042-XX=3@120° Tenon Adapter for 3-1/2" O.D. Tenon ¹⁸ VA1043-XX=4@90° Tenon Adapter for 3-1/2" O.D. Tenon ¹⁸ VA1044-XX=2@90° Tenon Adapter for 3-1/2" O.D. Tenon ¹⁸ VA1045-XX=3@90° Tenon Adapter for 3-1/2" O.D. Tenon ¹⁸ VA1046-XX=2@120° Tenon Adapter for 3-1/2" O.D. Tenon ¹⁸ | | VA1033-XX=Single Tenon Adapter for 2-3/8" O.D. Tenon ¹⁸ VA1034-XX=2@180° Tenon Adapter for 2-3/8" O.D. Tenon ¹⁸ VA1035-XX=3@120° Tenon Adapter for 2-3/8" O.D. Tenon ¹⁸ VA1036-XX=4@90° Tenon Adapter for 2-3/8" O.D. Tenon ¹⁸ VA1037-XX=2@90° Tenon Adapter for 2-3/8" O.D. Tenon ¹⁸ VA1038-XX=3@90° Tenon Adapter for 2-3/8" O.D. Tenon ¹⁸ VA1039-XX=2@120° Tenon Adapter for 2-3/8" O.D. Tenon ¹⁸ EWP/XTORMX=Escutcheon Wall Plate, Carbon Bronze EWP/XTORMX-WT=Escutcheon Wall Plate, Summit White FSIR-100=Wireless Configuration Tool for Occupancy Sensor ¹⁴ | |

NOTES:

- DesignLights Consortium® Qualified and classified for both DLC Standard and DLC Premium, refer to www.designlights.org for details.
- Not available with HA option.
- Deep back box is standard for 347V, 480V, CBP, PMA, MS-L20 and MS/DIM-L20.
- Not available with CBP option.
- Thru-branch wiring not available with HA option or with 347V.
- Only for use with 480V Wye systems. Per NEC, not for use with ungrounded systems, impedance grounded systems or corner grounded systems (commonly known as Three Phase Three Wire Delta, Three Phase High Leg Delta and Three Phase Corner Grounded Delta systems).
- Not available with MS-L20 and MS/DIM-L20 options.
- Use PC2 with 347V or 480V option for photocontrol. Factory wired to 208-277V lead.
- Customer is responsible for engineering analysis to confirm pole and fixture compatibility for all applications. Refer to our white paper WP513001EN for additional support information.
- For use in downlight orientation only. Optimal coverage at mounting heights of 9'-20".
- 120V thru 277V only.
- Factory set to 50% power reduction after 15-minutes of inactivity. Dimming driver included.
- Includes integral photo sensor.
- The FSIR-100 configuration tool is required to adjust parameters including high and low modes, sensitivity, time delay, cutoff, and more. Consult your lighting representative at Eaton for more information.
- 120V or 277V operation only.
- Operating temperatures -20°C to 25°C.
- Not available in XTOR12B or XTOR12BRL models.
- Replace XX with housing color.

STOCK ORDERING INFORMATION

| 58W Series | 81W Series | 102W Series |
|---|---|---|
| Full Cutoff | | |
| XTOR6B=58W, 5000K, Carbon Bronze | XTOR8B=81W, 5000K, Carbon Bronze | XTOR12B=102W, 5000K, Carbon Bronze |
| XTOR6B-PC1=58W, 5000K, 120V PC, Carbon Bronze | XTOR8B-PC1=81W, 5000K, 120V PC, Carbon Bronze | XTOR12B-PC1=102W, 5000K, 120V PC, Carbon Bronze |
| XTOR6B-WT=58W, 5000K, Summit White | XTOR8B-WT=81W, 5000K, Summit White | XTOR12B-WT=102W, 5000K, Summit White |
| XTOR6B-W=58W, 4000K, Carbon Bronze | XTOR8B-PC2=81W, 5000K, 208-277V PC, Carbon Bronze | XTOR12B-PC2=102W, 5000K, 208-277V PC, Carbon Bronze |
| XTOR6B-PMA=58W, 5000K, Pole Mount Arm, Carbon Bronze | XTOR8B-PMA=81W, 5000K, Pole Mount Arm, Carbon Bronze | XTOR12B-PMA=102W, 5000K, Pole Mount Arm, Carbon Bronze |
| XTOR6B-W-PMA=58W, 4000K, Pole Mount Arm, Carbon Bronze | XTOR8B-W=81W, 4000K, Carbon Bronze | XTOR12B-W=102W, 4000K, Carbon Bronze |
| XTOR6B-PC2=58W, 5000K, 208-277V PC, Carbon Bronze | XTOR8B-W-PC1=81W, 4000K, 120V PC, Carbon Bronze | XTOR12B-W-PC1=102W, 4000K, 120V PC, Carbon Bronze |
| XTOR6B-W-PC2=58W, 4000K, 208-277V PC, Carbon Bronze | XTOR8B-W-PC2=81W, 4000K, 208-277V PC, Carbon Bronze | XTOR12B-W-PC2=102W, 4000K, 208-277V PC, Carbon Bronze |
| XTOR6B-W-PC1=58W, 4000K, 120V PC, Carbon Bronze | XTOR8B-W-PMA=81W, 4000K, Pole Mount Arm, Carbon Bronze | XTOR12B-W-PMA=102W, 4000K, Pole Mount Arm, Carbon Bronze |
| Refractive Lens | | |
| XTOR6BRL=58W, 5000K, Refractive Lens, Carbon Bronze | XTOR8BRL=81W, 5000K, Refractive Lens, Carbon Bronze | XTOR12BRL=102W, 5000K, Refractive Lens, Carbon Bronze |
| XTOR6BRL-PC1=58W, 5000K, Refractive Lens, 120V PC, Carbon Bronze | XTOR8BRL-PC1=81W, 5000K, Refractive Lens, 120V PC, Carbon Bronze | XTOR12BRL-PC1=102W, 5000K, Refractive Lens, 120V PC, Carbon Bronze |
| XTOR6BRL-WT=58W, 5000K, Refractive Lens, Summit White | XTOR8BRL-WT=81W, 5000K, Refractive Lens, Summit White | XTOR12BRL-WT=102W, 5000K, Refractive Lens, Summit White |
| XTOR6BRL-W=58W, 4000K, Refractive Lens, Carbon Bronze | XTOR8BRL-PC2=81W, 5000K, Refractive Lens, 208-277V PC, Carbon Bronze | XTOR12BRL-PC2=102W, 5000K, Refractive Lens, 208-277V PC, Carbon Bronze |
| XTOR6BRL-PMA=58W, 5000K, Refractive Lens, Pole Mount Arm, Carbon Bronze | XTOR8BRL-PMA=81W, 5000K, Refractive Lens, Pole Mount Arm, Carbon Bronze | XTOR12BRL-PMA=102W, 5000K, Refractive Lens, Pole Mount Arm, Carbon Bronze |
| XTOR6BRL-W-PMA=58W, 4000K, Refractive Lens, Pole Mount Arm, Carbon Bronze | XTOR8BRL-W=81W, 4000K, Refractive Lens, Carbon Bronze | XTOR12BRL-W=102W, 4000K, Refractive Lens, Carbon Bronze |
| XTOR6BRL-PC2=58W, 5000K, Refractive Lens, 208-277V PC, Carbon Bronze | XTOR8BRL-W-PC1=81W, 4000K, Refractive Lens, 120V PC, Carbon Bronze | XTOR12BRL-W-PC1=102W, 4000K, Refractive Lens, 120V PC, Carbon Bronze |
| XTOR6BRL-W-PC2=58W, 4000K, Refractive Lens, 208-277V PC, Carbon Bronze | XTOR8BRL-W-PC2=81W, 4000K, Refractive Lens, 208-277V PC, Carbon Bronze | XTOR12BRL-W-PC2=102W, 4000K, Refractive Lens, 208-277V PC, Carbon Bronze |
| XTOR6BRL-W-PC1=58W, 4000K, Refractive Lens, 120V PC, Carbon Bronze | XTOR8BRL-W-PMA=81W, 4000K, Refractive Lens, Pole Mount Arm, Carbon Bronze | XTOR12BRL-W-PMA=102W, 4000K, Refractive Lens, Pole Mount Arm, Carbon Bronze |

Submitting Agency:



lighting > electrical > energy
technology > signs
214-351-6266

Description: EACL 01 0 D4 AF 7 40-DIMMING- D1-**** W/
SHIELD
Project: JPMC WHITNEY
Notes:

Type:
SL1

EVOLVE



CUSTOMER NAME _____
PROJECT NAME _____
DATE _____ TYPE _____
CATALOG NUMBER _____

EACL® Series

LED Area Light/Compact Low Wattage

Current's EAL Series of Area Light Luminaires offer a wide range of optical patterns, color temperatures, lumen packages, and mounting configurations to optimize area light applications, as well as provide versatility in lighting design within the same form factor.

Construction

| | |
|-----------------|--|
| Housing: | Die-cast aluminum housing with integral heat sink for maximum heat transfer Corrosion resistant polyester powder paint, minimum 2.0 mil thickness |
| Paint: | Standard = Black, Dark Bronze Gray, White (RAL & custom colors available) Optional coastal finish available. |
| Weight: | 18 lbs (8.16 kg) Max depending on configuration |

Optical System

| | |
|----------------------|--|
| Lumens: | 2,900 - 20,400 |
| Distribution: | Asymmetric Forward Type IV Asymmetric Wide Type III Asymmetric Narrow/Auto Type II |
| Efficacy: | 123 - 143 LPW |
| CCT: | 3000K, 4000K, 5000K |
| CRI: | ≥70 |

Electrical

| | |
|-----------------------------------|----------------------|
| Input Voltage: | 120-277V & 347-480V |
| Input Frequency: | 50/60Hz |
| Power Factor: | > 90% at rated watts |
| Total Harmonic Distortion: | < 20% at rated watts |

Surge Protection*

| TYPICAL [120 STRIKES] | ENHANCED [40 STRIKES] |
|--------------------------|--------------------------|
| 6kV/3kA* | 10kV/5kA* |

*Per ANSI C136.2-2015

Lumen Maintenance

Projected Lxx per IES TM-21-11 at

| LUMEN CODES | LXX(10K) @ HOURS | | |
|--|------------------|-----------|-----------|
| | 25,000 HR | 50,000 HR | 60,000 HR |
| A2, A3, A4, B2, B3, B4, C2, C3, C4D2, D3, D4, E2, E3, E4, F2, F3, F4 | L94 | L90 | L88 |
| H2, H3, H4 | L97 | L96 | L96 |

Luminaire Ambient Temperature Factor

| AMBIENT TEMP (°C) | INITIAL FLUX FACTOR | AMBIENT TEMP (°C) | INITIAL FLUX FACTOR |
|-------------------|---------------------|-------------------|---------------------|
| 10 | 1.02 | 30 | 0.99 |
| 20 | 1.01 | 40 | 0.98 |
| 25 | 1.00 | 50 | 0.97 |

Ratings

| | |
|-------------------------------|--|
| Operating Temperature: | -40°C to 50°C |
| Vibration: | 3G vibration per ANSI C136.31-2018 |
| LM-79: | Testing in accordance with IESNA Standards |

Controls

| | |
|-----------------|--|
| Dimming: | Standard - 0-10V Optional - DALI (Option U) |
| Sensors: | Photo Electric Sensors (PE) available LightGrid and Daintree Compatible |

Warranty

5 Year (Standard)



Not all product variations listed on this page are DLC qualified. Visit www.designlights.org/search to confirm qualifications.



gcurrent.com/brands/evolve

© 2022 Current Lighting Solutions, LLC. All rights reserved. GE and the GE monogram are trademarks of the General Electric Company and are used under license. Information and specifications subject to change without notice. All values are design or typical values when measured under laboratory conditions.

Page 1 of 10
(Rev December 21, 2022 1:08 AM)

OLP3157_R04

Submitting Agency:



lighting > electrical > energy
technology > signs
214-351-6266

Description: **EACL 01 0 D4 AF 7 40-DIMMING- D1-**** W/ SHIELD**
Project: **JPMC WHITNEY**
Notes:

Type:
SL1

EVOLVE

EACL® Series
LED Area Light/Compact Low Wattage

CUSTOMER NAME _____
PROJECT NAME _____
DATE _____ TYPE _____
CATALOG NUMBER _____

Ordering Information

EACL 01 7

| PROD. ID | GEN | VOLTAGE | OPTIC CODE | DISTRIBUTION | CRI [MIN] | CCT | DIMMING ² | CONTROLS | MOUNTING ARM | COLOR | OPTIONS |
|-------------------------|-----|---------------------------|-------------|-----------------------------|--------------|-------------------------|-------------------------------------|---|---|--------------------|--|
| E = Evolve | 01 | 0 = 120-277V ¹ | Ax=3000 lm | AF = Asymmetric Forward | 7 = 70 | 30 = 3000K ¹ | N = Dimming thru PE receptacle | 1 = None | C1 = Integral Slip-fitter for 1.25"- 2" Pipe (1.66in. OD - 2.378 in. OD) ⁴ | GRAY = Gray | F = Fusing |
| AC = Compact Area Light | | H = 347-480V ¹ | Bx=5000 lm | AW = Asymmetric Wide | | 40 = 4000K | D = External Dimming 18/2-3ft cable | A = ANSI 7-pin PE receptacle (no control) | D1 = Universal Mounting Arm, fitted for round or square pole mounting ⁵ | BLCK = Black | H1 = Motion Sensor w/ LightGrid |
| L = Low Voltage | | 1 = 120V | Cx=7500 lm | AN = Asymmetric Narrow/Auto | | 50 = 5000K | X = No External Dimming Leads | D = ANSI 7-pin PE receptacle with shorting cap provided | K1 = Knuckle Slipfitter for 1.9 in - 2.3in. OD Tenon ^{6,6} | DKBZ = Dark Bronze | H2 = Motion Sensor (Daintree) ⁸ |
| | | 2 = 208V | Dx=10000 lm | | | | | E = ANSI C136.41 7-pin with Non-Dimming PE Control ³ | S1 = Knuckle Slipfitter for 2.3in. - 3.0in OD Tenon ^{6,6} | WHTE = White | H4 = Motion Sensor (Wattstopper) |
| | | 3 = 240V | | | | | | | V1 = Knuckle Wall Mount ^{6,6} | | J = cUL/Canada |
| | | 4 = 277V | Ex=12500 lm | | | | | | | | L = Tool-Less Entry |
| | | 5 = 480V | Fx=15000 lm | | | | | | | | R = Enhanced Surge Protection (10kV/5kA) |
| | | D = 347V | Hx=20000 lm | | | | | | | | U = DALI dimming ⁷ |
| | | | | | | | | | | | V = 3-Position Terminal Block |
| | | | | | | | | | | | Y = Coastal Finish ¹⁰ |
| | | | | | | | | | | | XXX = Special Options |

¹ Not Available with Fusing, Must Choose a Discrete Voltage with "F" Option Code
² Note Standard Dimming is 0-10V
³ PE Control only available for 120-277V, 347V or 480V Discrete Voltage.
⁴ Supplied with 3ft leads
⁵ Supplied with 16/3 ft Cable
⁶ Restricted Aiming Angle of 0-45°

⁷ Compatible with LightGrid Wireless Control Nodes, Not Compatible with Motion Sensor Control
⁸ H2 Sensor is not available in High Voltage (347V, 480V or 347-480V)
¹⁰ Recommended for installations within 750 feet from coast. Lead time varies, check with factory.
¹¹ Select 3000K CCT for IDA approved fixtures.

Submitting Agency:



lighting > electrical > energy
technology > signs
214-351-6266

Description: **EACL 01 0 D4 AF 7 40-DIMMING- D1-**** W/ SHIELD**
Project: **JPMC WHITNEY**
Notes:

Type:
SL1

EVOLVE

EACL® Series
LED Area Light/Compact Low Wattage

CUSTOMER NAME _____
PROJECT NAME _____
DATE _____ TYPE _____
CATALOG NUMBER _____

| OPTICAL CODE | DIST CODE | CLASSIFICATION | TYPICAL LUMENS | | TYPICAL SYSTEM WATTAGE | | BUG RATING | |
|--------------|-----------|----------------|----------------|---------------|------------------------|----------|------------|---------------|
| | | | 3000K | 4000K & 5000K | 120-277V | 347-480V | 3000K | 4000K & 5000K |
| A4 | | | 2900 | 2900 | 21 | 23 | B1-UO-G1 | B1-UO-G1 |
| B4 | | | 4900 | 4900 | 36 | 38 | B1-UO-G1 | B1-UO-G1 |
| C4 | | | 7300 | 7300 | 55 | | B1-UO-G2 | B1-UO-G2 |
| D4 | AF | TYPE IV | 9800 | 9800 | 73 | | B2-UO-G2 | B2-UO-G2 |
| E4 | | | 12200 | 12200 | 95 | | B2-UO-G2 | B2-UO-G2 |
| F4 | | | 14700 | 14700 | 122 | | B2-UO-G2 | B2-UO-G2 |
| H4 | | | 19000 | 19000 | 153 | | B3-UO-G3 | B3-UO-G3 |
| A3 | | | AW | TYPE III | 2900 | 3000 | 21 | 23 |
| B3 | 4900 | 5100 | | | 36 | 38 | B1-UO-G1 | B1-UO-G1 |
| C3 | 7400 | 7600 | | | 55 | | B1-UO-G2 | B1-UO-G2 |
| D3 | 9900 | 10200 | | | 73 | | B2-UO-G2 | B2-UO-G2 |
| E3 | 12400 | 12700 | | | 95 | | B2-UO-G2 | B2-UO-G2 |
| F3 | 14900 | 15300 | | | 122 | | B2-UO-G2 | B2-UO-G2 |
| H3 | 19300 | 20400 | | | 153 | | B3-UO-G2 | B3-UO-G2 |
| A2 | AN | TYPE II | | | 2900 | 3000 | 21 | 23 |
| B2 | | | 4900 | 5000 | 36 | 38 | B1-UO-G1 | B1-UO-G1 |
| C2 | | | 7300 | 7500 | 55 | | B2-UO-G1 | B2-UO-G2 |
| D2 | | | 9800 | 10100 | 73 | | B2-UO-G2 | B2-UO-G2 |
| E2 | | | 12300 | 12600 | 95 | | B2-UO-G2 | B2-UO-G2 |
| F2 | | | 14700 | 15100 | 122 | | B3-UO-G2 | B3-UO-G3 |
| H2 | | | 19100 | 20200 | 153 | | B3-UO-G3 | B3-UO-G3 |

For additional information on EACL IES files, please click one of the following links:

[Non-Shielded](#)

[Shielded](#)

Submitting Agency:



lighting > electrical > energy
technology > signs
214-351-6266

Description: **EACL 01 0 D4 AF 7 40-DIMMING- D1-**** W/
SHIELD**
Project: **JPMC WHITNEY**
Notes:

Type:
SL1

EVOLVE

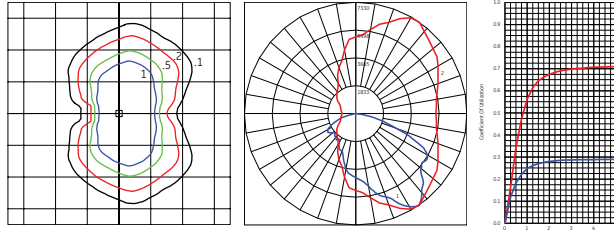
EACL® Series

LED Area Light/Compact Low Wattage

CUSTOMER NAME _____
PROJECT NAME _____
DATE _____ TYPE _____
CATALOG NUMBER _____

EACL - Type II - Very Short

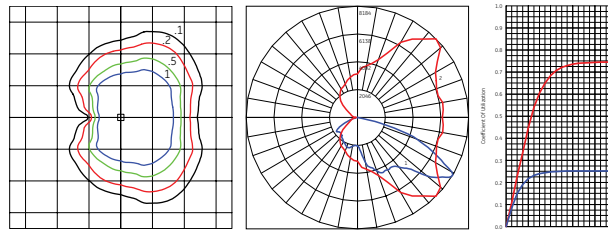
15,100 lumens
EACL01_F2AN750___IES



Grid Distance in Units of Mounting Height at 20' Initial Footcandle Values at Grade — Vertical plane through horizontal angle of maximum candlepower at XX°
Vertical plane through horizontal angle of XX°

EACL - Type III - Short

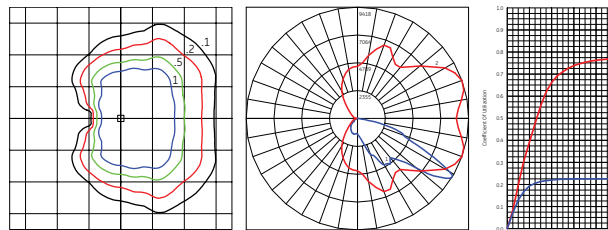
15,300 lumens
EACL01_F3AW750___IES



Grid Distance in Units of Mounting Height at 20' Initial Footcandle Values at Grade — Vertical plane through horizontal angle of maximum candlepower at XX°
Vertical plane through horizontal angle of XX°

EACL - Type III - Very Short

15,000 lumens
EACL01_F4AF750___IES



Grid Distance in Units of Mounting Height at 20' Initial Footcandle Values at Grade — Vertical plane through horizontal angle of maximum candlepower at XX°
Vertical plane through horizontal angle of XX°

Submitting Agency:



lighting > electrical > energy
technology > signs
214-351-6266

Description: **EACL 01 0 D4 AF 7 40-DIMMING- D1-**** W/ SHIELD**
Project: **JPMC WHITNEY**
Notes:

Type:
SL1

EVOLVE

EACL® Series

LED Area Light/Compact Low Wattage

CUSTOMER NAME _____

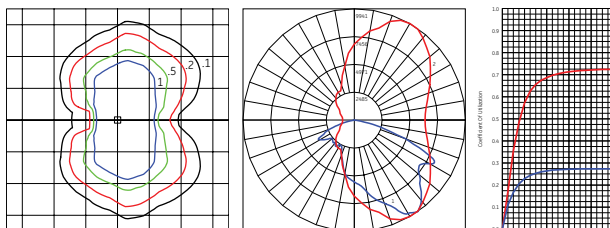
PROJECT NAME _____

DATE _____ TYPE _____

CATALOG NUMBER _____

EACL - Type II- Very Short

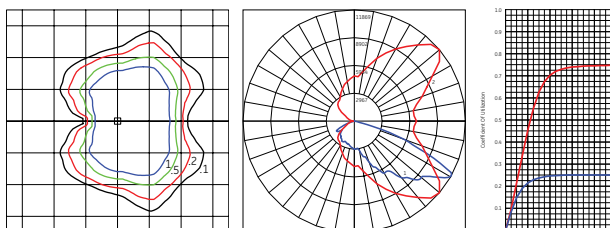
20,200 lumens
EACL01_H2AN750___IES



Grid Distance in Units of Mounting Height at 20' Initial Footcandle Values at Grade — Vertical plane through horizontal angle of maximum candlepower at XX° — Vertical plane through horizontal angle of XX°

EACL - Type III - Short

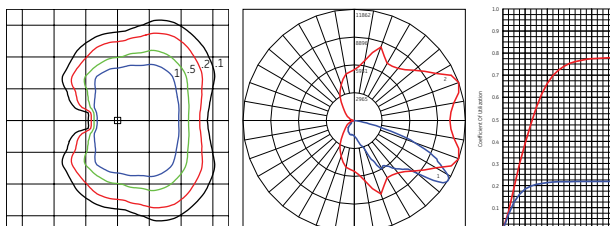
20,400 lumens
EACL01_H3AW750___IES



Grid Distance in Units of Mounting Height at 20' Initial Footcandle Values at Grade — Vertical plane through horizontal angle of maximum candlepower at XX° — Vertical plane through horizontal angle of XX°

EACL - Type IV - Very Short

20,000 lumens
EACL01_H4AF750___IES



Grid Distance in Units of Mounting Height at 20' Initial Footcandle Values at Grade — Vertical plane through horizontal angle of maximum candlepower at XX° — Vertical plane through horizontal angle of XX°

Submitting Agency:



lighting > electrical > energy
technology > signs
214-351-6266

Description: **EACL 01 0 D4 AF 7 40-DIMMING- D1-**** W/
SHIELD**
Project: **JPMC WHITNEY**
Notes:

Type:
SL1

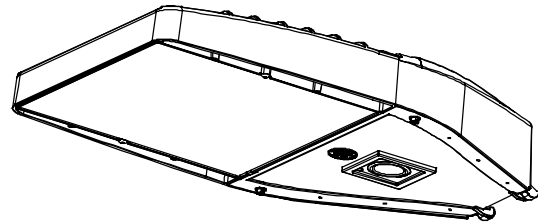
EVOLVE

EACL® Series
LED Area Light/Compact Low Wattage

CUSTOMER NAME _____
PROJECT NAME _____
DATE _____ TYPE _____
CATALOG NUMBER _____

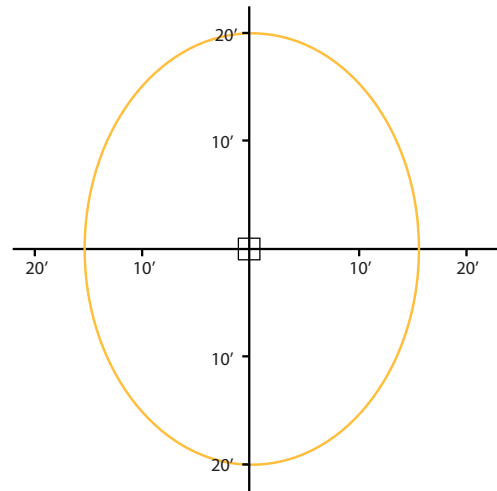
H-Motion Sensing Option

- Recommended Mounting Height: 15-30' (4.6-9.1m)
- For mounting heights exceeding 30 ft., pole mounted sensors are recommended
- Coverage Radius: 15-20' (4.6-6.1 m).
- Provides 270 degree of coverage (approx 90 is blocked by the pole)
- Default Settings:
 - Output: Occupied - 100%/Unoccupied - 50%
 - Integral PE Sensor.
 - 5 minute post-occupancy time delay, 5 minute dimming ramp-down.
- Fixture power increase of 1W expected with sensor use.



H1/4 - Motion Sensing Option (WattStopper)

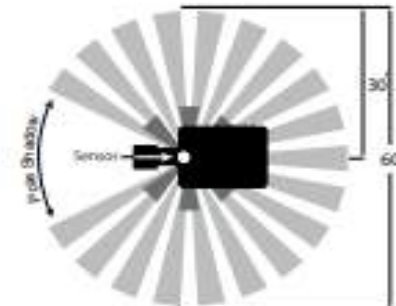
- Recommended Mounting Height: 15-30' (4.6-9.1m)
- For mounting heights exceeding 30 ft., pole mounted sensors are recommended
- Coverage Radius: 15-20' (4.6-6.1 m).
- Provides 270 degree of coverage (approx 90 is blocked by the pole)
- Default Settings:
 - Output: Occupied - 100%/Unoccupied - 50%
 - PE Sensor: Enabled
 - Ramp/Fade: 5 Minutes/5 Minutes
- Adds < 1W to fixture power rating
- Field programmable using FSIR-100 hand held programmer



Sensing Pattern Area Fixture
Up to 30 ft. Mounting Height

H2 - Motion Sensing Option (Daintree)

- Recommended Mounting Height: 15-30' (4.6-9.1m)
- For mounting heights exceeding 30 ft., pole mounted sensors are recommended
- Provides a coverage area radius for walking motion of 15-20 ft. (4.57-6.10m)
- Provides 270 degree of coverage (approx 90 is blocked by the pole)
- Default Settings:
 - Output: Occupied - 100%/Unoccupied - 50%
 - PE Sensor: Enabled
 - Ramp/Fade: 5 Minutes/5 Minutes
- Adds < 1W to fixture power rating
- Requires Daintree Enterprise and wide area control (WAC)



Submitting Agency:



lighting > electrical > energy
technology > signs

214-351-6266

Description: **EACL 01 0 D4 AF 7 40-DIMMING- D1-**** W/ SHIELD**
Project: **JPMC WHITNEY**
Notes:

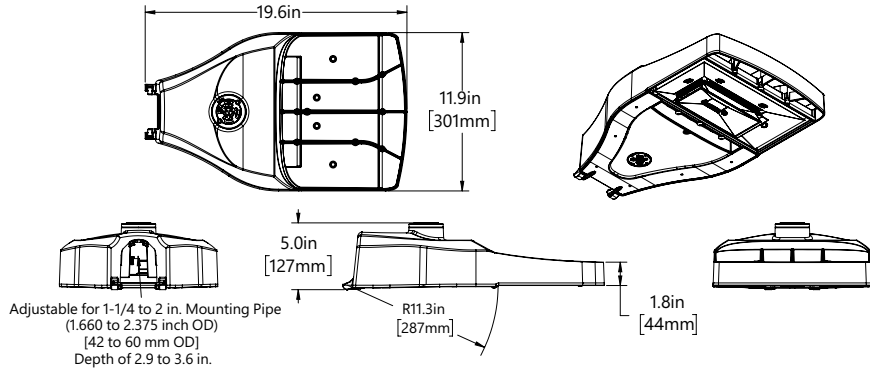
Type:
SL1

EVOLVE

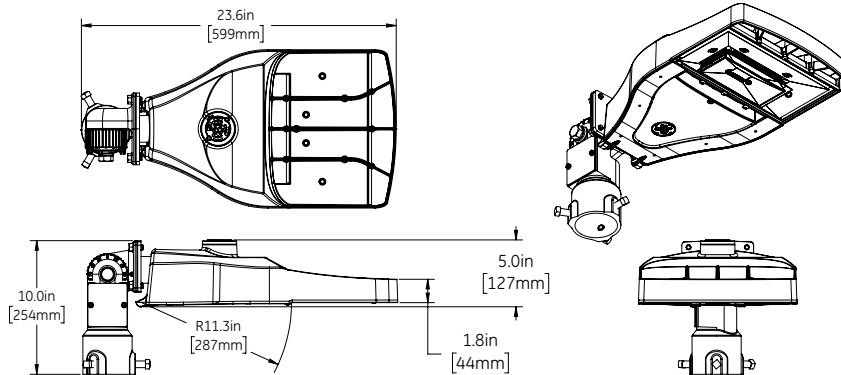
EACL® Series
LED Area Light/Compact Low Wattage

CUSTOMER NAME _____
PROJECT NAME _____
DATE _____ TYPE _____
CATALOG NUMBER _____

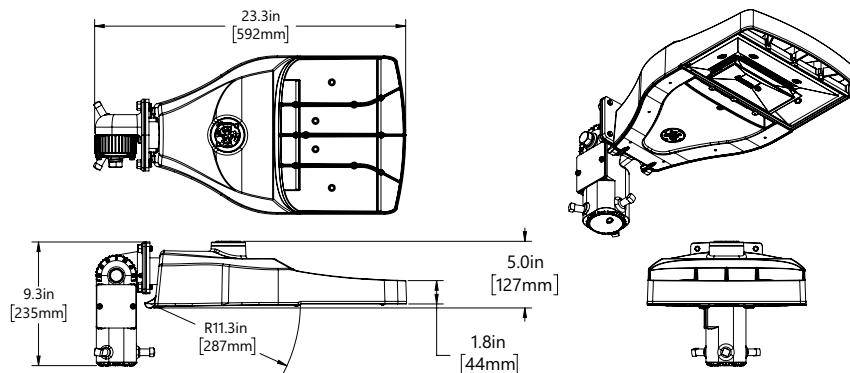
Integral Slipfitter: C1



Knuckle Slipfitter: S1



Knuckle Slipfitter: K1



Submitting Agency:



lighting > electrical > energy
technology > signs
214-351-6266

Description: **EACL 01 0 D4 AF 7 40-DIMMING- D1-**** W/ SHIELD**
Project: **JPMC WHITNEY**
Notes:

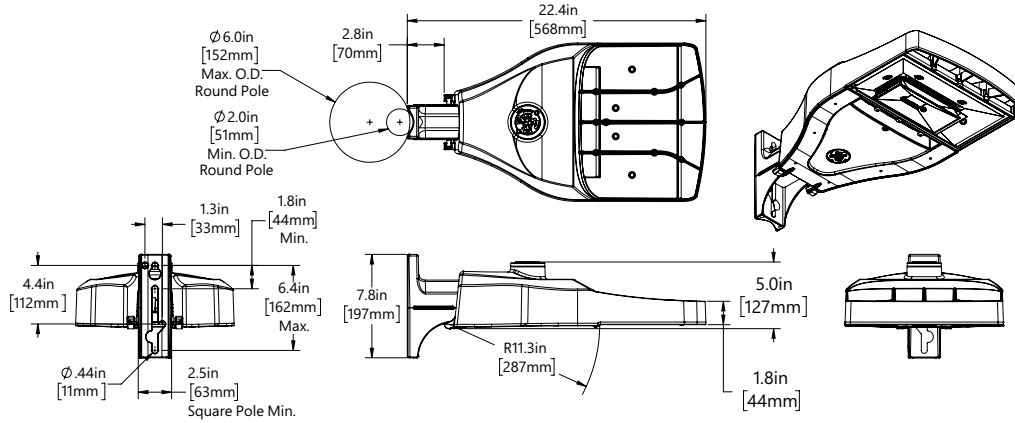
Type:
SL1

EVOLVE

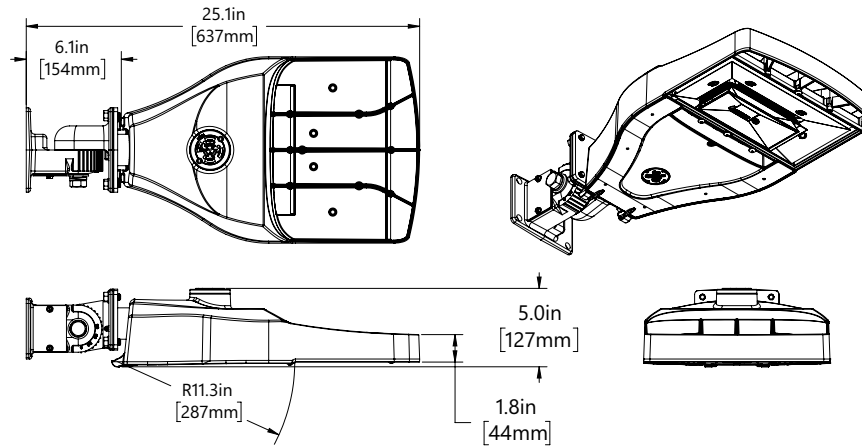
EACL® Series
LED Area Light/Compact Low Wattage

CUSTOMER NAME _____
PROJECT NAME _____
DATE _____ TYPE _____
CATALOG NUMBER _____

Universal Mounting Arm: D1



Knuckle Wall Mount: V1



Weight

- 18 lbs (8.16 kg) Max depending on configuration

Effective Projected Area

- Integral Slipfitter C1, EPA = 0.31 Min / 0.37 Max
- Universal Arm Mount D1, EPA = 0.31 Min / 0.52 Max
- Knuckle Slipfitter S1, K1 downward aim, EPA = 0.46 Min / 0.56 Ma
- Knuckle Slipfitter S1, K1 45° aim, EPA = 0.56 Min / 1.03 Max

Submitting Agency:



lighting > electrical > energy
technology > signs
214-351-6266

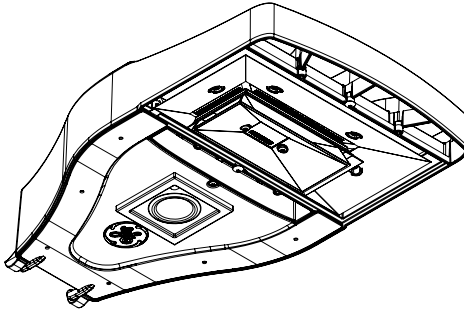
Description: EACL 01 0 D4 AF 7 40-DIMMING- D1-**** W/
SHIELD
Project: JPMC WHITNEY
Notes:

Type:
SL1

EVOLVE

EACL® Series
LED Area Light/Compact Low Wattage

CUSTOMER NAME _____
PROJECT NAME _____
DATE _____ TYPE _____
CATALOG NUMBER _____



PE Accessories (To Be Order Separately)

| SAP NUMBER | PART NUMBER | DESCRIPTION |
|------------|---------------|--|
| 93123552 | WANSI - 277 | ANSI 136.41 Dimming PE Danitree Enable, 105-305V |
| 93123553 | WANSI - 480 | ANSI 136.41 Dimming PE Danitree Enable, 312-530V |
| 93029237 | PED-MV-LED-7 | ANSI C136.41 Dimming PE, 120-277V |
| 93029238 | PED-347-LED-7 | ANSI C136.41 Dimming PE, 347V |
| 93029239 | PED-480-LED-7 | ANSI C136.41 Dimming PE, 480V |

| SAP NUMBER | PART NUMBER | DESCRIPTION |
|------------|-------------|-------------------|
| 28299 | PEC0TL | STANDARD 120-277V |
| 28294 | PEC5TL | STANDARD 480V |
| 80436 | PECDTL | STANDARD 347V |
| 73251 | SCCL-PECTL | Shorting cap |

Back Light Shield

| SHIELD ORIENTATIONS | CUTOFF DISTANCE | SHIELD ORDER LOGIC |
|---------------------|-----------------|--------------------|
| Back | Long | ELS-EACL-RBL-BLCK |



EVOLVE

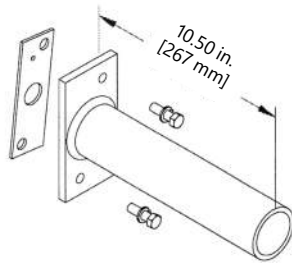
EACL® Series
LED Area Light/Compact Low Wattage

CUSTOMER NAME _____
PROJECT NAME _____
DATE _____ TYPE _____
CATALOG NUMBER _____

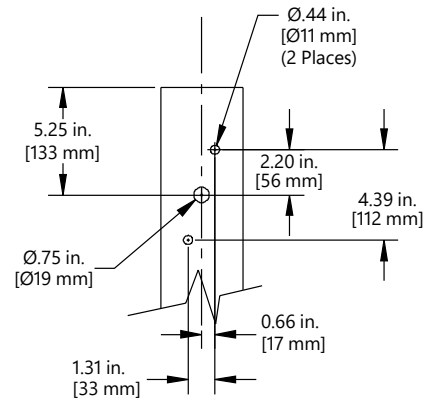
Mounting Arms for Slipfitter Order separately with Mounting Option C1 (Slipfitter)

Square pole mounting arm

- 3.5 to 4.5-inch (89 to 114mm) square (will allow 4 fixtures per pole @ 90 degrees)

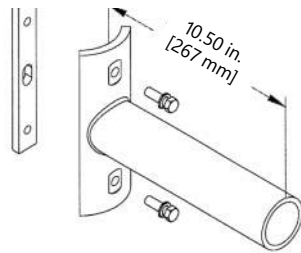


Square pole mounting drilling template



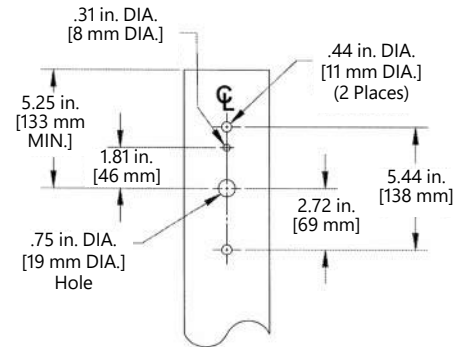
Round Pole Mounting Arm

- 3.5 to 4.5-inch (89 to 114mm) od (will allow 4 fixtures per pole @ 90 degrees.)



Round Pole Mounting Drilling Template

- 3.5 TO 4.5-inch (89 to 114mm) OD round pole mounting arm



Order separately from fixture as catalog number

- RPA-EAMT10BLCK "Black"
- RPA-EAMT10DKBZ "Dark Bronze"
- RPA-EAMT10WHT "White"

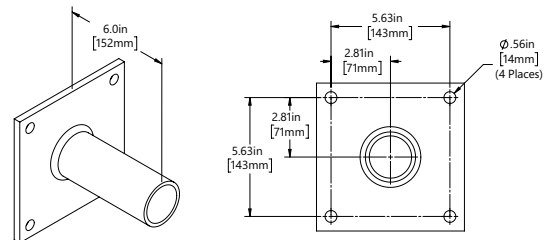
Wall Mounting Bracket Adapter Plate

Order separately from fixture as catalog number
WMB-EAMT06

*NOTE: For Wall Mounting, order luminaire with mounting arm: C1 = Slipfitter 2"
Pipe (2.378 in. OD) supplied with leads.

Other mounting patterns are available for retrofit installations. Contact manufacturing for other available mounting patterns.

Wall MOUNTING Bracket Hole Pattern



Submitting Agency:



lighting > electrical > energy
technology > signs
214-351-6266

Description: EACL 01 0 E2 AN 7 40-DIMMING-D1 ****
Project: JPMC WHITNEY
Notes:

Type:

SL2

EVOLVE



CUSTOMER NAME _____

PROJECT NAME _____

DATE _____ TYPE _____

CATALOG NUMBER _____

EACL® Series

LED Area Light/Compact Low Wattage

Current's EAL Series of Area Light Luminaires offer a wide range of optical patterns, color temperatures, lumen packages, and mounting configurations to optimize area light applications, as well as provide versatility in lighting design within the same form factor.

Construction

| | |
|-----------------|--|
| Housing: | Die-cast aluminum housing with integral heat sink for maximum heat transfer Corrosion resistant polyester powder paint, minimum 2.0 mil thickness |
| Paint: | Standard = Black, Dark Bronze Gray, White (RAL & custom colors available) Optional coastal finish available. |
| Weight: | 18 lbs (8.16 kg) Max depending on configuration |

Optical System

| | |
|----------------------|--|
| Lumens: | 2,900 - 20,400 |
| Distribution: | Asymmetric Forward Type IV Asymmetric Wide Type III Asymmetric Narrow/Auto Type II |
| Efficacy: | 123 - 143 LPW |
| CCT: | 3000K, 4000K, 5000K |
| CRI: | ≥70 |

Electrical

| | |
|-----------------------------------|----------------------|
| Input Voltage: | 120-277V & 347-480V |
| Input Frequency: | 50/60Hz |
| Power Factor: | > 90% at rated watts |
| Total Harmonic Distortion: | < 20% at rated watts |

Surge Protection*

| TYPICAL [120 STRIKES] | ENHANCED [40 STRIKES] |
|--------------------------|--------------------------|
| 6kV/3kA* | 10kV/5kA* |

*Per ANSI C136.2-2015

Lumen Maintenance

Projected Lxx per IES TM-21-11 at

| LUMEN CODES | LXX(10K) @ HOURS | | |
|--|------------------|-----------|-----------|
| | 25,000 HR | 50,000 HR | 60,000 HR |
| A2, A3, A4, B2, B3, B4, C2, C3, C4D2, D3, D4, E2, E3, E4, F2, F3, F4 | L94 | L90 | L88 |
| H2, H3, H4 | L97 | L96 | L96 |

Luminaire Ambient Temperature Factor

| AMBIENT TEMP (°C) | INITIAL FLUX FACTOR | AMBIENT TEMP (°C) | INITIAL FLUX FACTOR |
|-------------------|---------------------|-------------------|---------------------|
| 10 | 1.02 | 30 | 0.99 |
| 20 | 1.01 | 40 | 0.98 |
| 25 | 1.00 | 50 | 0.97 |

Ratings

| | |
|-------------------------------|--|
| Operating Temperature: | -40°C to 50°C |
| Vibration: | 3G vibration per ANSI C136.31-2018 |
| LM-79: | Testing in accordance with IESNA Standards |

Controls

| | |
|-----------------|--|
| Dimming: | Standard - 0-10V Optional - DALI (Option U) |
| Sensors: | Photo Electric Sensors (PE) available LightGrid and Daintree Compatible |

Warranty

5 Year (Standard)



Not all product variations listed on this page are DLC qualified. Visit www.designlights.org/search to confirm qualifications.



gecurrent.com/brands/evolve

© 2022 Current Lighting Solutions, LLC. All rights reserved. GE and the GE monogram are trademarks of the General Electric Company and are used under license. Information and specifications subject to change without notice. All values are design or typical values when measured under laboratory conditions.

Page 1 of 10
(Rev December 21, 2022 1:08 AM)

OPLP3157_R04

Submitting Agency:



lighting > electrical > energy
technology > signs
214-351-6266

Description: **EACL 01 0 E2 AN 7 40-DIMMING-D1 ******
Project: **JPMC WHITNEY**
Notes:

Type:
SL2

EVOLVE

EACL® Series
LED Area Light/Compact Low Wattage

CUSTOMER NAME _____

PROJECT NAME _____

DATE _____ TYPE _____

CATALOG NUMBER _____

Ordering Information

EACL 01 7

| PROD. ID | GEN | VOLTAGE | OPTIC CODE | DISTRIBUTION | CRI [MIN] | CCT | DIMMING ² | CONTROLS | MOUNTING ARM | COLOR | OPTIONS |
|-------------------------|-----|---------------------------|-------------|-----------------------------|--------------|-------------------------|-------------------------------------|---|---|--------------------|--|
| E = Evolve | 01 | 0 = 120-277V ¹ | Ax=3000 lm | AF = Asymmetric Forward | 7 = 70 | 30 = 3000K ¹ | N = Dimming thru PE receptacle | 1 = None | C1 = Integral Slip-fitter for 1.25"- 2" Pipe (1.66in. OD - 2.378 in. OD) ⁴ | GRAY = Gray | F = Fusing |
| AC = Compact Area Light | | H = 347-480V ¹ | Bx=5000 lm | AW = Asymmetric Wide | | 40 = 4000K | D = External Dimming 18/2-3ft cable | A = ANSI 7-pin PE receptacle (no control) | D1 = Universal Mounting Arm, fitted for round or square pole mounting ⁵ | BLCK = Black | H1 = Motion Sensor w/ LightGrid |
| L = Low Voltage | | 1 = 120V | Cx=7500 lm | AN = Asymmetric Narrow/Auto | | 50 = 5000K | X = No External Dimming Leads | D = ANSI 7-pin PE receptacle with shorting cap provided | K1 = Knuckle Slipfitter for 1.9 in - 2.3in. OD Tenon ^{6a} | DKBZ = Dark Bronze | H2 = Motion Sensor (Daintree) ⁸ |
| | | 2 = 208V | Dx=10000 lm | | | | | E = ANSI C136.41 7-pin with Non-Dimming PE Control ³ | S1 = Knuckle Slipfitter for 2.3in. - 3.0in OD Tenon ^{6a} | WHTE = White | H4 = Motion Sensor (Wattstopper) |
| | | 3 = 240V | Dx=10000 lm | | | | | | V1 = Knuckle Wall Mount ^{6a} | | J = cUL/Canada |
| | | 4 = 277V | Ex=12500 lm | | | | | | | | L = Tool-Less Entry |
| | | 5 = 480V | Fx=15000 lm | | | | | | | | R = Enhanced Surge Protection (10kV/5kA) |
| | | D = 347V | Hx=20000 lm | | | | | | | | U = DALI dimming ⁷ |
| | | | | | | | | | | | V = 3-Position Terminal Block |
| | | | | | | | | | | | Y = Coastal Finish ¹⁰ |
| | | | | | | | | | | | XXX = Special Options |

¹ Not Available with Fusing, Must Choose a Discrete Voltage with "F" Option Code

² Note Standard Dimming is 0-10V

³ PE Control only available for 120-277V, 347V or 480V Discrete Voltage.

⁴ Supplied with 3ft leads

⁵ Supplied with 16/3 ft Cable

⁶ Restricted Aiming Angle of 0-45°

⁷ Compatible with LightGrid Wireless Control Nodes, Not Compatible with Motion Sensor Control

⁸ H2 Sensor is not available in High Voltage (347V, 480V or 347-480V)

¹⁰ Recommended for installations within 750 feet from coast. Lead time varies, check with factory.

¹¹ Select 3000K CCT for IDA approved fixtures.

Submitting Agency:



lighting > electrical > energy
technology > signs
214-351-6266

Description: **EACL 01 0 E2 AN 7 40-DIMMING-D1 ******

Project: **JPMC WHITNEY**

Notes:

Type:

SL2

EVOLVE

EACL® Series
LED Area Light/Compact Low Wattage

CUSTOMER NAME _____

PROJECT NAME _____

DATE _____ TYPE _____

CATALOG NUMBER _____

| OPTICAL CODE | DIST CODE | CLASSIFICATION | TYPICAL LUMENS | | TYPICAL SYSTEM WATTAGE | | BUG RATING | |
|--------------|-----------|----------------|----------------|---------------|------------------------|----------|------------|---------------|
| | | | 3000K | 4000K & 5000K | 120-277V | 347-480V | 3000K | 4000K & 5000K |
| A4 | AF | TYPE IV | 2900 | 2900 | 21 | 23 | B1-UO-G1 | B1-UO-G1 |
| B4 | | | 4900 | 4900 | 36 | 38 | B1-UO-G1 | B1-UO-G1 |
| C4 | | | 7300 | 7300 | 55 | | B1-UO-G2 | B1-UO-G2 |
| D4 | | | 9800 | 9800 | 73 | | B2-UO-G2 | B2-UO-G2 |
| E4 | | | 12200 | 12200 | 95 | | B2-UO-G2 | B2-UO-G2 |
| F4 | | | 14700 | 14700 | 122 | | B2-UO-G2 | B2-UO-G2 |
| H4 | | | 19000 | 19000 | 153 | | B3-UO-G3 | B3-UO-G3 |
| A3 | AW | TYPE III | 2900 | 3000 | 21 | 23 | B1-UO-G1 | B1-UO-G1 |
| B3 | | | 4900 | 5100 | 36 | 38 | B1-UO-G1 | B1-UO-G1 |
| C3 | | | 7400 | 7600 | 55 | | B1-UO-G2 | B1-UO-G2 |
| D3 | | | 9900 | 10200 | 73 | | B2-UO-G2 | B2-UO-G2 |
| E3 | | | 12400 | 12700 | 95 | | B2-UO-G2 | B2-UO-G2 |
| F3 | | | 14900 | 15300 | 122 | | B2-UO-G2 | B2-UO-G2 |
| H3 | | | 19300 | 20400 | 153 | | B3-UO-G2 | B3-UO-G2 |
| A2 | AN | TYPE II | 2900 | 3000 | 21 | 23 | B1-UO-G1 | B1-UO-G1 |
| B2 | | | 4900 | 5000 | 36 | 38 | B1-UO-G1 | B1-UO-G1 |
| C2 | | | 7300 | 7500 | 55 | | B2-UO-G1 | B2-UO-G2 |
| D2 | | | 9800 | 10100 | 73 | | B2-UO-G2 | B2-UO-G2 |
| E2 | | | 12300 | 12600 | 95 | | B2-UO-G2 | B2-UO-G2 |
| F2 | | | 14700 | 15100 | 122 | | B3-UO-G2 | B3-UO-G3 |
| H2 | | | 19100 | 20200 | 153 | | B3-UO-G3 | B3-UO-G3 |

For additional information on EACL IES files, please click one of the following links:

[Non-Shielded](#)

[Shielded](#)



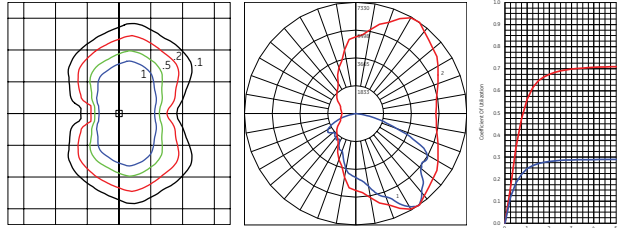
EVOLVE

EACL® Series
LED Area Light/Compact Low Wattage

CUSTOMER NAME _____
PROJECT NAME _____
DATE _____ TYPE _____
CATALOG NUMBER _____

EACL - Type II - Very Short

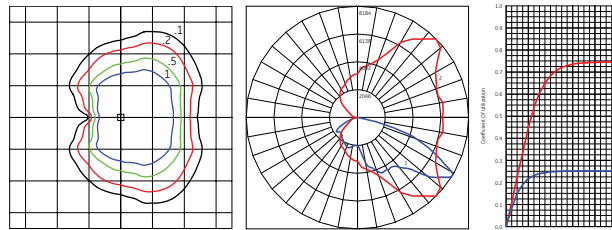
15,100 lumens
EACL01_F2AN750_...IES



Grid Distance in Units of Mounting Height at 20' Initial Footcandle Values at Grade — Vertical plane through horizontal angle of maximum candlepower at XX°
Vertical plane through horizontal angle of XX°

EACL - Type III - Short

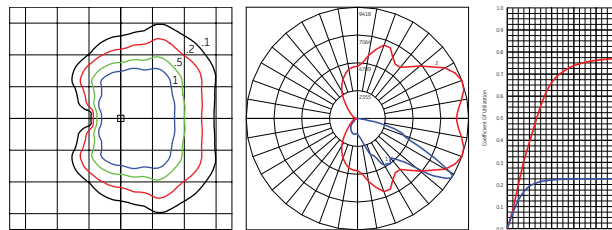
15,300 lumens
EACL01_F3AW750_...IES



Grid Distance in Units of Mounting Height at 20' Initial Footcandle Values at Grade — Vertical plane through horizontal angle of maximum candlepower at XX°
Vertical plane through horizontal angle of XX°

EACL - Type III - Very Short

15,000 lumens
EACL01_F4AF750_...IES



Grid Distance in Units of Mounting Height at 20' Initial Footcandle Values at Grade — Vertical plane through horizontal angle of maximum candlepower at XX°
Vertical plane through horizontal angle of XX°



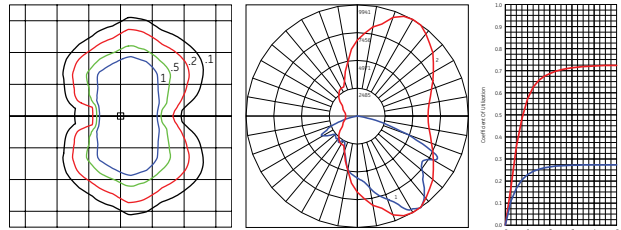
EVOLVE

EACL® Series
LED Area Light/Compact Low Wattage

CUSTOMER NAME _____
PROJECT NAME _____
DATE _____ TYPE _____
CATALOG NUMBER _____

EACL - Type II- Very Short

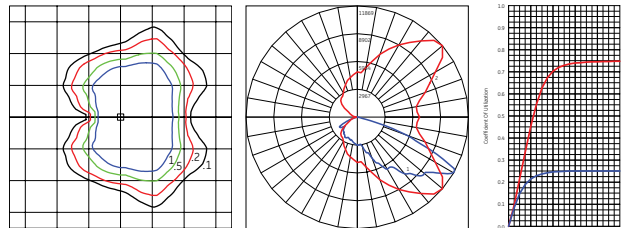
20,200 lumens
EACL01_H2AN750___IES



Grid Distance in Units of Mounting Height at 20' Initial Footcandle Values at Grade
Vertical plane through horizontal angle of maximum candlepower at XX°
Vertical plane through horizontal angle of XX°

EACL - Type III - Short

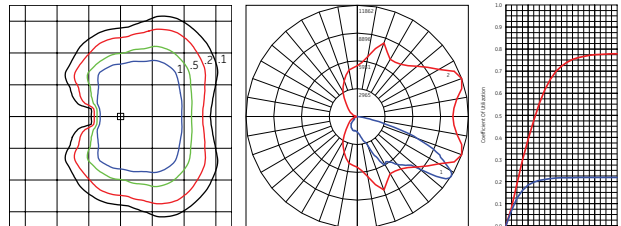
20,400 lumens
EACL01_H3AW750___IES



Grid Distance in Units of Mounting Height at 20' Initial Footcandle Values at Grade
Vertical plane through horizontal angle of maximum candlepower at XX°
Vertical plane through horizontal angle of XX°

EACL - Type IV - Very Short

20,000 lumens
EACL01_H4AF750___IES



Grid Distance in Units of Mounting Height at 20' Initial Footcandle Values at Grade
Vertical plane through horizontal angle of maximum candlepower at XX°
Vertical plane through horizontal angle of XX°

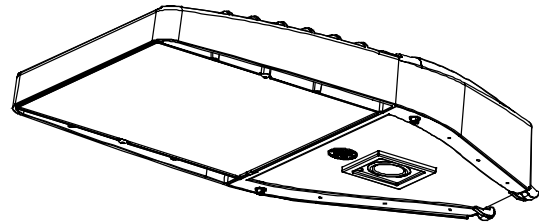
EVOLVE

EACL® Series
LED Area Light/Compact Low Wattage

CUSTOMER NAME _____
PROJECT NAME _____
DATE _____ TYPE _____
CATALOG NUMBER _____

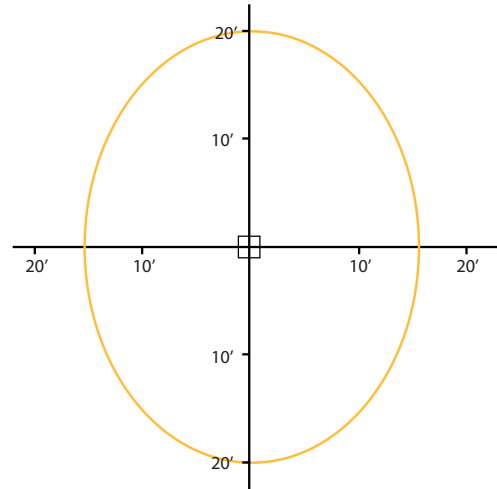
H-Motion Sensing Option

- Recommended Mounting Height: 15-30' (4.6-9.1m)
- For mounting heights exceeding 30 ft., pole mounted sensors are recommended
- Coverage Radius: 15-20' (4.6-6.1 m).
- Provides 270 degree of coverage (approx 90 is blocked by the pole)
- Default Settings:
 - Output: Occupied - 100%/Unoccupied - 50%
 - Integral PE Sensor.
 - 5 minute post-occupancy time delay, 5 minute dimming ramp-down.
- Fixture power increase of 1W expected with sensor use.



H1/4 - Motion Sensing Option (WattStopper)

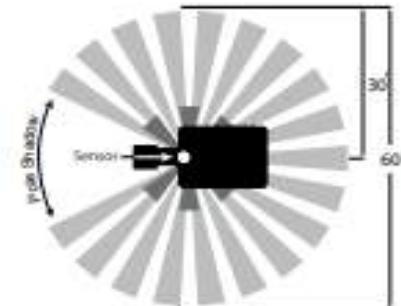
- Recommended Mounting Height: 15-30' (4.6-9.1m)
- For mounting heights exceeding 30 ft., pole mounted sensors are recommended
- Coverage Radius: 15-20' (4.6-6.1 m).
- Provides 270 degree of coverage (approx 90 is blocked by the pole)
- Default Settings:
 - Output: Occupied - 100%/Unoccupied - 50%
 - PE Sensor: Enabled
 - Ramp/Fade: 5 Minutes/5 Minutes
- Adds < 1W to fixture power rating
- Field programmable using FSIR-100 hand held programmer



H2 - Motion Sensing Option (Daintree)

- Recommended Mounting Height: 15-30' (4.6-9.1m)
- For mounting heights exceeding 30 ft., pole mounted sensors are recommended
- Provides a coverage area radius for walking motion of 15-20 ft. (4.57-6.10m)
- Provides 270 degree of coverage (approx 90 is blocked by the pole)
- Default Settings:
 - Output: Occupied - 100%/Unoccupied - 50%
 - PE Sensor: Enabled
 - Ramp/Fade: 5 Minutes/5 Minutes
- Adds < 1W to fixture power rating
- Requires Daintree Enterprise and wide area control (WAC)

Sensing Pattern Area Fixture
Up to 30 ft. Mounting Height



Submitting Agency:



lighting > electrical > energy
technology > signs

214-351-6266

Description: **EACL 01 0 E2 AN 7 40-DIMMING-D1 ******

Project: **JPMC WHITNEY**

Notes:

Type:

SL2

EVOLVE

EACL® Series

LED Area Light/Compact Low Wattage

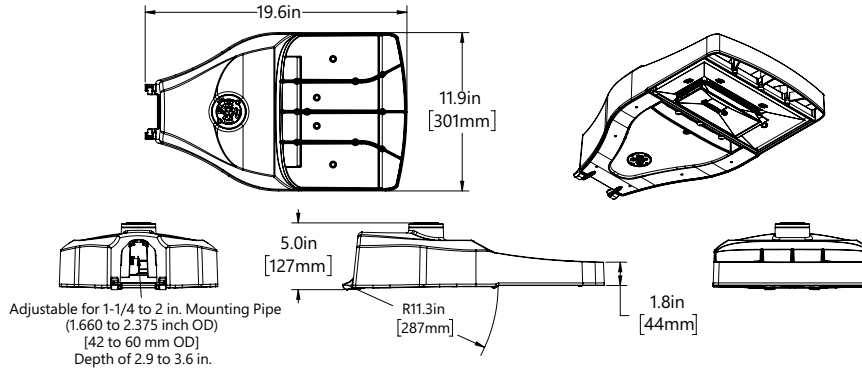
CUSTOMER NAME _____

PROJECT NAME _____

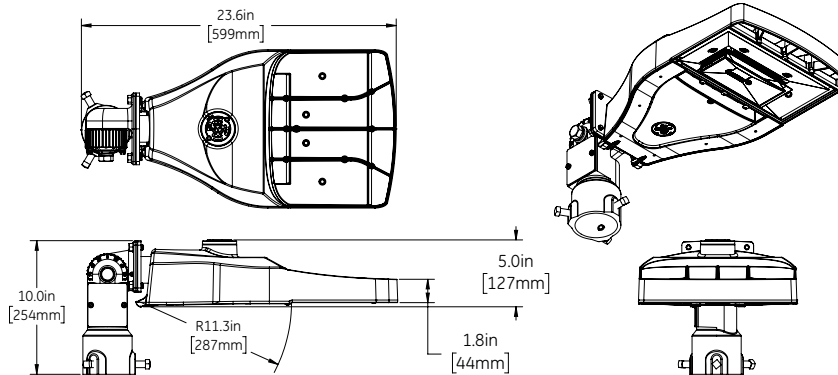
DATE _____ TYPE _____

CATALOG NUMBER _____

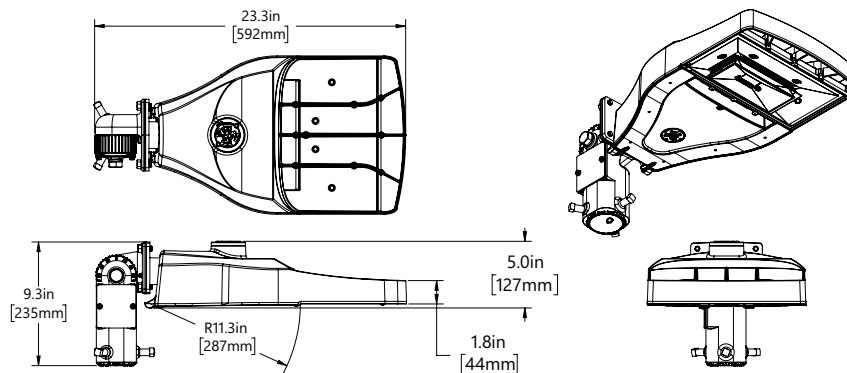
Integral Slipfitter: C1



Knuckle Slipfitter: S1



Knuckle Slipfitter: K1

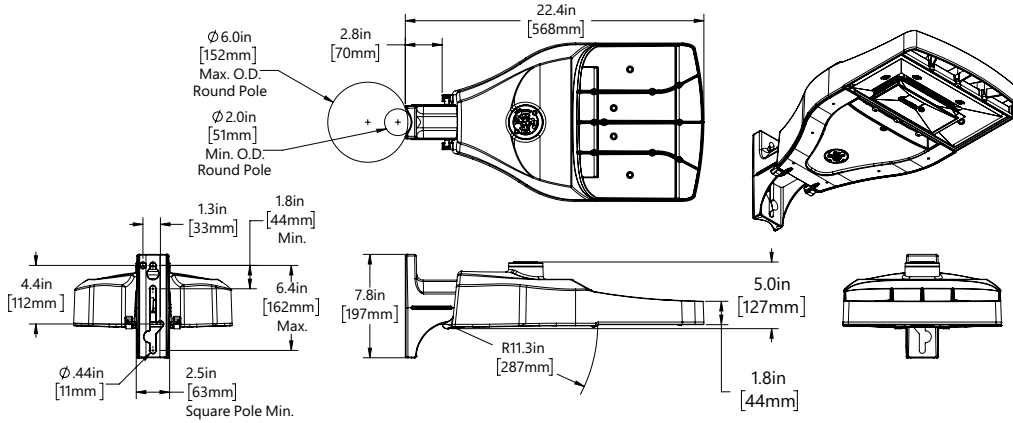


EVOLVE

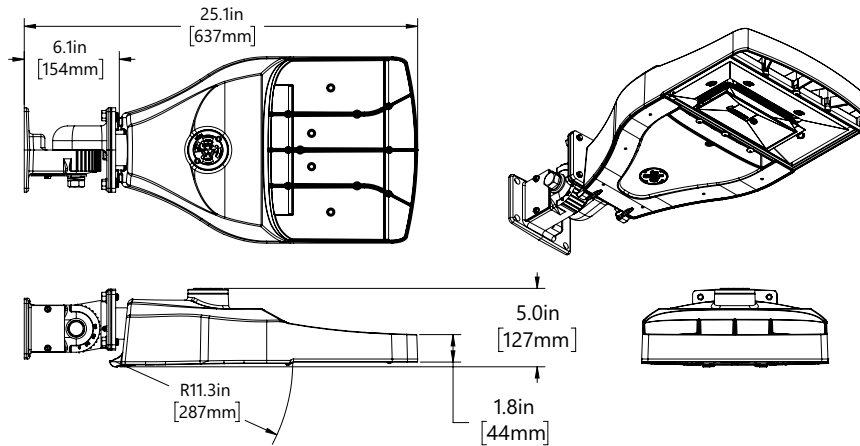
EACL® Series
LED Area Light/Compact Low Wattage

CUSTOMER NAME _____
PROJECT NAME _____
DATE _____ TYPE _____
CATALOG NUMBER _____

Universal Mounting Arm: D1



Knuckle Wall Mount: V1



Weight

- 18 lbs (8.16 kg) Max depending on configuration

Effective Projected Area

- Integral Slipfitter C1, EPA = 0.31 Min/0.37 Max
- Universal Arm Mount D1, EPA = 0.31 Min / 0.52 Max
- Knuckle Slipfitter S1, K1 downward aim, EPA = 0.46 Min / 0.56 Ma
- Knuckle Slipfitter S1, K1 45° aim, EPA = 0.56 Min / 1.03 Max

Submitting Agency:



lighting > electrical > energy
technology > signs
214-351-6266

Description: EACL 01 0 E2 AN 7 40-DIMMING-D1 ****
Project: JPMC WHITNEY
Notes:

Type:
SL2

EVOLVE

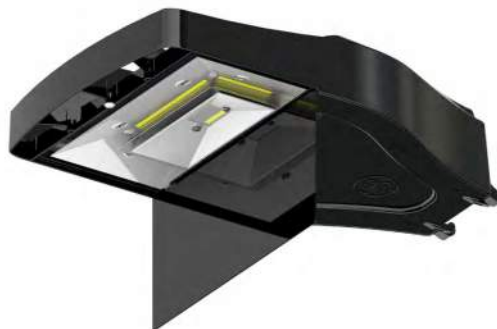
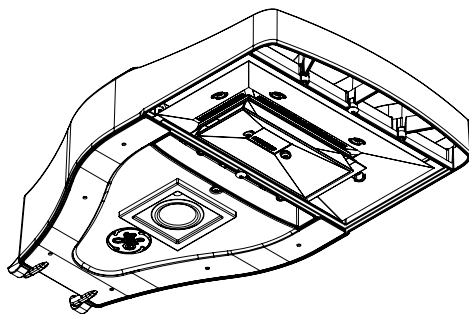
EACL® Series
LED Area Light/Compact Low Wattage

CUSTOMER NAME _____

PROJECT NAME _____

DATE _____ TYPE _____

CATALOG NUMBER _____



PE Accessories (To Be Order Separately)

| SAP NUMBER | PART NUMBER | DESCRIPTION |
|------------|---------------|--|
| 93123552 | WANSI - 277 | ANSI 136.41 Dimming PE Danitree Enable, 105-305V |
| 93123553 | WANSI - 480 | ANSI 136.41 Dimming PE Danitree Enable, 312-530V |
| 93029237 | PED-MV-LED-7 | ANSI C136.41 Dimming PE, 120-277V |
| 93029238 | PED-347-LED-7 | ANSI C136.41 Dimming PE, 347V |
| 93029239 | PED-480-LED-7 | ANSI C136.41 Dimming PE, 480V |

| SAP NUMBER | PART NUMBER | DESCRIPTION |
|------------|-------------|-------------------|
| 28299 | PEC0TL | STANDARD 120-277V |
| 28294 | PEC5TL | STANDARD 480V |
| 80436 | PECDTL | STANDARD 347V |
| 73251 | SCCL-PECTL | Shorting cap |

Back Light Shield

| SHIELD ORIENTATIONS | CUTOFF DISTANCE | SHIELD ORDER LOGIC |
|---------------------|-----------------|--------------------|
| Back | Long | ELS-EACL-RBL-BLCK |

EVOLVE

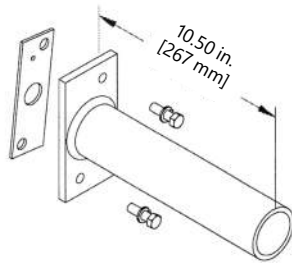
EACL® Series
LED Area Light/Compact Low Wattage

CUSTOMER NAME _____
PROJECT NAME _____
DATE _____ TYPE _____
CATALOG NUMBER _____

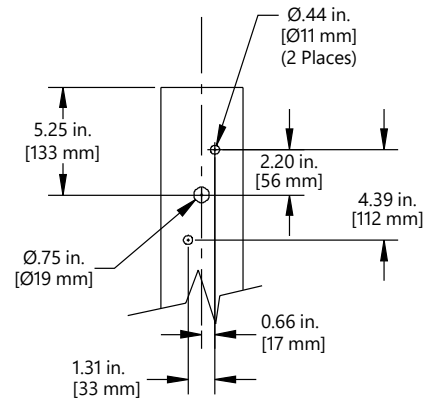
Mounting Arms for Slipfitter Order separately with Mounting Option C1 (Slipfitter)

Square pole mounting arm

- 3.5 to 4.5-inch (89 to 114mm) square (will allow 4 fixtures per pole @ 90 degrees)

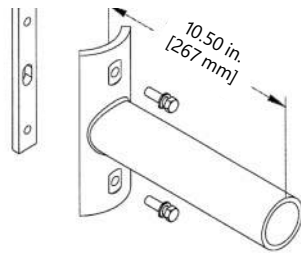


Square pole mounting drilling template



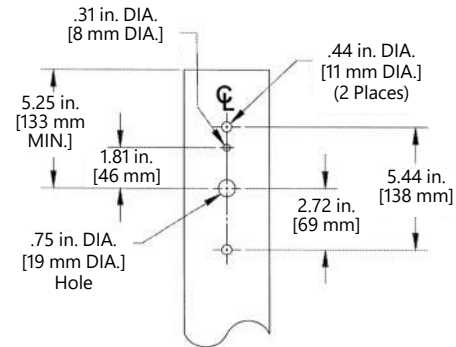
Round Pole Mounting Arm

- 3.5 to 4.5-inch (89 to 114mm) od (will allow 4 fixtures per pole @ 90 degrees.)



Round Pole Mounting Drilling Template

- 3.5 TO 4.5-inch (89 to 114mm) OD round pole mounting arm



Order separately from fixture as catalog number

- RPA-EAMT10BLCK "Black"
- RPA-EAMT10DKBZ "Dark Bronze"
- RPA-EAMT10WHT "White"

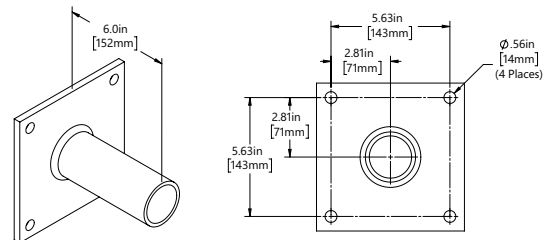
Wall Mounting Bracket Adapter Plate

Order separately from fixture as catalog number
WMB-EAMT06

*NOTE: For Wall Mounting, order luminaire with mounting arm: C1 = Slipfitter 2"
Pipe (2.378 in. OD) supplied with leads.

Other mounting patterns are available for retrofit installations. Contact manufacturing for other available mounting patterns.

Wall MOUNTING Bracket Hole Pattern



Submitting Agency:



lighting > electrical > energy
technology > signs
214-351-6266

Description: EACL 01 0 F2 AN 7 40-DIMMING-D1-****
Project: JPMC WHITNEY
Notes:

Type:
SL3

EVOLVE



CUSTOMER NAME _____
PROJECT NAME _____
DATE _____ TYPE _____
CATALOG NUMBER _____

EACL® Series LED Area Light/Compact Low Wattage

Current's EAL Series of Area Light Luminares offer a wide range of optical patterns, color temperatures, lumen packages, and mounting configurations to optimize area light applications, as well as provide versatility in lighting design within the same form factor.

Construction

| | |
|-----------------|--|
| Housing: | Die-cast aluminum housing with integral heat sink for maximum heat transfer |
| Paint: | Corrosion resistant polyester powder paint, minimum 2.0 mil thickness Standard = Black, Dark Bronze Gray, White (RAL & custom colors available) Optional coastal finish available. |
| Weight: | 18 lbs (8.16 kg) Max depending on configuration |

Optical System

| | |
|----------------------|--|
| Lumens: | 2,900 - 20,400 |
| Distribution: | Asymmetric Forward Type IV Asymmetric Wide Type III Asymmetric Narrow/Auto Type II |
| Efficacy: | 123 - 143 LPW |
| CCT: | 3000K, 4000K, 5000K |
| CRI: | ≥70 |

Electrical

| | |
|-----------------------------------|----------------------|
| Input Voltage: | 120-277V & 347-480V |
| Input Frequency: | 50/60Hz |
| Power Factor: | > 90% at rated watts |
| Total Harmonic Distortion: | < 20% at rated watts |

Surge Protection*

| | |
|-------------------------------|-------------------------------|
| TYPICAL 120 STRIKES | ENHANCED 40 STRIKES |
| 6kV/3kA* | 10kV/5kA* |

*Per ANSI C136.2-2015

Lumen Maintenance

Projected Lxx per IES TM-21-11 at

| LUMEN CODES | LXX(H0K) @ HOURS | | |
|--|------------------|-----------|-----------|
| | 25,000 HR | 50,000 HR | 60,000 HR |
| A2, A3, A4, B2, B3, B4, C2, C3, C4D2, D3, D4, E2, E3, E4, F2, F3, F4 | L94 | L90 | L88 |
| H2,H3, H4 | L97 | L96 | L96 |

Luminaire Ambient Temperature Factor

| AMBIENT TEMP (°C) | INITIAL FLUX FACTOR | AMBIENT TEMP (°C) | INITIAL FLUX FACTOR |
|-------------------|---------------------|-------------------|---------------------|
| 10 | 1.02 | 30 | 0.99 |
| 20 | 1.01 | 40 | 0.98 |
| 25 | 1.00 | 50 | 0.97 |

Ratings

| | |
|-------------------------------|--|
| Operating Temperature: | -40°C to 50°C |
| Vibration: | 3G vibration per ANSI C136.31-2018 |
| LM-79: | Testing in accordance with IESNA Standards |

Controls

| | |
|-----------------|--|
| Dimming: | Standard - 0-10V Optional - DALI (Option U) |
| Sensors: | Photo Electric Sensors (PE) available LightGrid and Daintree Compatible |

Warranty

5 Year (Standard)



Not all product variations listed on this page are DLC qualified. Visit www.designlights.org/search to confirm qualifications.

Submitting Agency:



lighting > electrical > energy
technology > signs
214-351-6266

Description: **EACL 01 0 F2 AN 7 40-DIMMING-D1-******
Project: **JPMC WHITNEY**
Notes:

Type:

SL3

EVOLVE

EACL® Series
LED Area Light/Compact Low Wattage

CUSTOMER NAME _____
PROJECT NAME _____
DATE _____ TYPE _____
CATALOG NUMBER _____

Ordering Information

EACL 01

7

| PROD. ID | GEN | VOLTAGE | OPTIC CODE | DISTRIBUTION | CRI (MIN) | CCT | DIMMING ² | CONTROLS | MOUNTING ARM | COLOR | OPTIONS |
|--|----------|---------------------------|-------------|-----------------------------|-----------|--------------------------|-------------------------------------|---|---|-------------------------------|--|
| E = Evolve AC = Compact Area Light L = Low Voltage | 01 | 0 = 120-277V ¹ | Ax=3000 lm | AF = Asymmetric Forward | 7 = 70 | 30 = 3000K ¹¹ | N = Dimming thru PE receptacle | 1 = None | C1 = Integral Slip-fitter for 1.25"- 2" Pipe (1.66in. OD - 2.378 in. OD) ⁴ | GRAY = Gray | F = Fusing |
| | | H = 347-480V ¹ | Bx=5000 lm | AW = Asymmetric Wide | | 40 = 4000K | D = External Dimming 18/2-3ft cable | A = ANSI 7-pin PE receptacle (no control) | D1 = Universal Mounting Arm, fitted for round or square pole mounting ⁵ | BLCK = Black | H1 = Motion Sensor w/ LightGrid |
| | | 1 = 120V | Cx=7500 lm | AN = Asymmetric Narrow/Auto | | 50 = 5000K | X = No External Dimming Leads | D = ANSI 7-pin PE receptacle with shorting cap provided | K1 = Knuckle Slipfitter for 1.9 in - 2.3in. OD Tenon ^{5,6} | DKBZ = Dark Bronze | H2 = Motion Sensor (Daintree) ⁸ |
| | | 2 = 208V | Dx=10000 lm | | | | | E = ANSI C136.41 7-pin with Non-Dimming PE Control ⁹ | S1 = Knuckle Slipfitter for 2.3in. - 3.0in OD Tenon ^{5,6} | WHTE = White | H4 = Motion Sensor (Wattstopper) |
| | | 3 = 240V | Dx=10000 lm | | | | | | V1 = Knuckle Wall Mount ^{5,6} | | J = cUL/Canada |
| | | 4 = 277V | Ex=12500 lm | | | | | | | | L = Tool-Less Entry |
| | | 5 = 480V | Fx=15000 lm | | | | | | | | R= Enhanced Surge Protection (10kV/5kA) |
| | D = 347V | Hx=20000 lm | | | | | | | | U = DALI dimming ⁷ | |
| | | | | | | | | | | | V = 3-Position Terminal Block |
| | | | | | | | | | | | Y = Coastal Finish ¹⁰ |
| | | | | | | | | | | | XXX = Special Options |

¹ Not Available with Fusing, Must Choose a Discrete Voltage with "F" Option Code

² Note Standard Dimming is 0-10V

³ PE Control only available for 120-277V, 347V or 480V Discrete Voltage.

⁴ Supplied with 3ft leads

⁵ Supplied with 16/3 ft Cable

⁶ Restricted Aiming Angle of 0-45°

⁷ Compatible with LightGrid Wireless Control Nodes, Not Compatible with Motion Sensor Control

⁸ H2 Sensor is not available in High Voltage (347V, 480V or 347-480V)

⁹ Recommended for installations within 750 feet from coast. Lead time varies, check with factory.

¹⁰ Select 3000K CCT for IDA approved fixtures.

Submitting Agency:



lighting > electrical > energy
technology > signs
214-351-6266

Description: **EACL 01 0 F2 AN 7 40-DIMMING-D1-******

Project: **JPMC WHITNEY**

Notes:

Type:

SL3

EVOLVE

EACL® Series

LED Area Light/Compact Low Wattage

CUSTOMER NAME _____

PROJECT NAME _____

DATE _____ TYPE _____

CATALOG NUMBER _____

| OPTICAL CODE | DIST CODE | CLASSIFICATION | TYPICAL LUMENS | | TYPICAL SYSTEM WATTAGE | | BUG RATING | |
|--------------|-----------|----------------|----------------|---------------|------------------------|----------|------------|---------------|
| | | | 3000K | 4000K & 5000K | 120-277V | 347-480V | 3000K | 4000K & 5000K |
| A4 | AF | TYPE IV | 2900 | 2900 | 21 | 23 | B1-UO-G1 | B1-UO-G1 |
| B4 | | | 4900 | 4900 | 36 | 38 | B1-UO-G1 | B1-UO-G1 |
| C4 | | | 7300 | 7300 | 55 | | B1-UO-G2 | B1-UO-G2 |
| D4 | | | 9800 | 9800 | 73 | | B2-UO-G2 | B2-UO-G2 |
| E4 | | | 12200 | 12200 | 95 | | B2-UO-G2 | B2-UO-G2 |
| F4 | | | 14700 | 14700 | 122 | | B2-UO-G2 | B2-UO-G2 |
| H4 | | | 19000 | 19000 | 153 | | B3-UO-G3 | B3-UO-G3 |
| A3 | | | AW | TYPE III | 2900 | 3000 | 21 | 23 |
| B3 | 4900 | 5100 | | | 36 | 38 | B1-UO-G1 | B1-UO-G1 |
| C3 | 7400 | 7600 | | | 55 | | B1-UO-G2 | B1-UO-G2 |
| D3 | 9900 | 10200 | | | 73 | | B2-UO-G2 | B2-UO-G2 |
| E3 | 12400 | 12700 | | | 95 | | B2-UO-G2 | B2-UO-G2 |
| F3 | 14900 | 15300 | | | 122 | | B2-UO-G2 | B2-UO-G2 |
| H3 | 19300 | 20400 | | | 153 | | B3-UO-G2 | B3-UO-G2 |
| A2 | AN | TYPE II | | | 2900 | 3000 | 21 | 23 |
| B2 | | | 4900 | 5000 | 36 | 38 | B1-UO-G1 | B1-UO-G1 |
| C2 | | | 7300 | 7500 | 55 | | B2-UO-G1 | B2-UO-G2 |
| D2 | | | 9800 | 10100 | 73 | | B2-UO-G2 | B2-UO-G2 |
| E2 | | | 12300 | 12600 | 95 | | B2-UO-G2 | B2-UO-G2 |
| F2 | | | 14700 | 15100 | 122 | | B3-UO-G2 | B3-UO-G3 |
| H2 | | | 19100 | 20200 | 153 | | B3-UO-G3 | B3-UO-G3 |

For additional information on EACL IES files, please click one of the following links:

Non-Shielded

Shielded



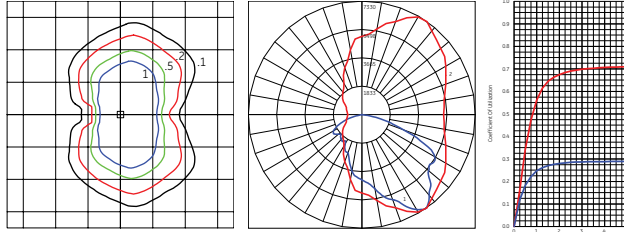
EVOLVE

EACL® Series
LED Area Light/Compact Low Wattage

CUSTOMER NAME _____
PROJECT NAME _____
DATE _____ TYPE _____
CATALOG NUMBER _____

EACL - Type II - Very Short

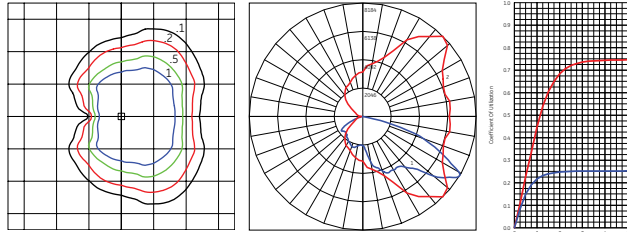
15,100 lumens
EACL01_F2AN750__IES



Grid Distance in Units of Mounting Height at 20' Initial Footcandle Values at Grade
Vertical plane through horizontal angle of maximum candlepower at XX°
Vertical plane through horizontal angle of XX°

EACL - Type III - Short

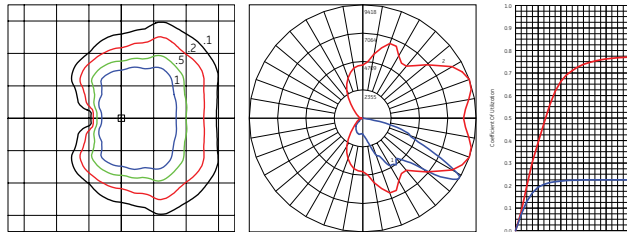
15,300 lumens
EACL01_F3AW750__IES



Grid Distance in Units of Mounting Height at 20' Initial Footcandle Values at Grade
Vertical plane through horizontal angle of maximum candlepower at XX°
Vertical plane through horizontal angle of XX°

EACL - Type III - Very Short

15,000 lumens
EACL01_F4AF750__IES



Grid Distance in Units of Mounting Height at 20' Initial Footcandle Values at Grade
Vertical plane through horizontal angle of maximum candlepower at XX°
Vertical plane through horizontal angle of XX°



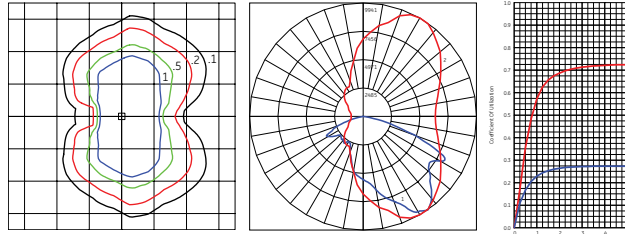
EVOLVE

EACL® Series
LED Area Light/Compact Low Wattage

CUSTOMER NAME _____
PROJECT NAME _____
DATE _____ TYPE _____
CATALOG NUMBER _____

EACL - Type II - Very Short

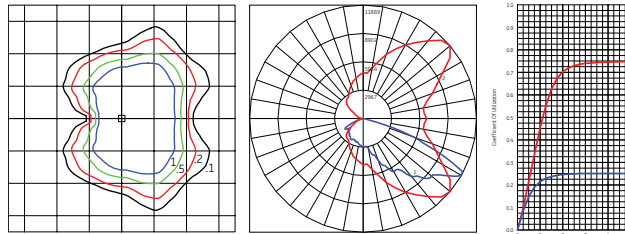
20,200 lumens
EACL01_H2AN750__IES



Grid Distance in Units of Mounting Height at 20° Initial Footcandle Values at Grade — Vertical plane through horizontal angle of maximum candlepower at XX°
— Vertical plane through horizontal angle of XX°

EACL - Type III - Short

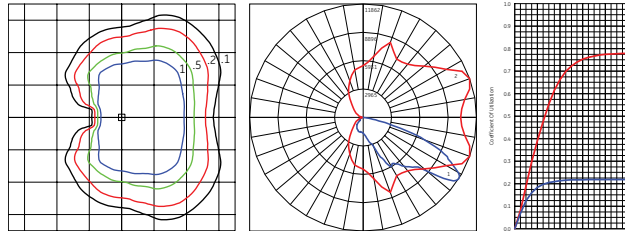
20,400 lumens
EACL01_H3AW750__IES



Grid Distance in Units of Mounting Height at 20° Initial Footcandle Values at Grade — Vertical plane through horizontal angle of maximum candlepower at XX°
— Vertical plane through horizontal angle of XX°

EACL - Type IV - Very Short

20,000 lumens
EACL01_H4AF750__IES



Grid Distance in Units of Mounting Height at 20° Initial Footcandle Values at Grade — Vertical plane through horizontal angle of maximum candlepower at XX°
— Vertical plane through horizontal angle of XX°



EVOLVE

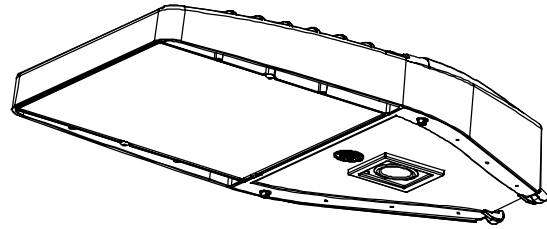
EACL® Series

LED Area Light/Compact Low Wattage

CUSTOMER NAME _____
PROJECT NAME _____
DATE _____ TYPE _____
CATALOG NUMBER _____

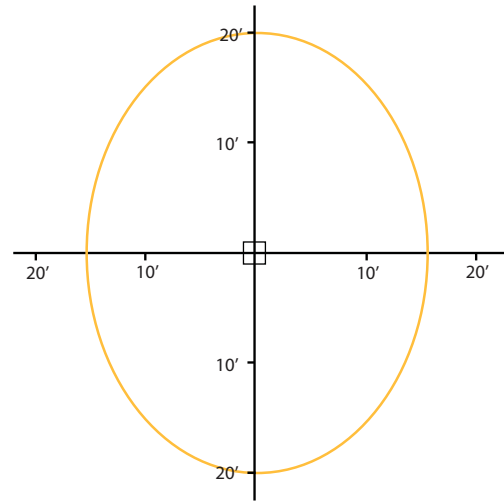
H-Motion Sensing Option

- Recommended Mounting Height: 15-30' (4.6-9.1m)
- For mounting heights exceeding 30 ft., pole mounted sensors are recommended
- Coverage Radius: 15-20' (4.6-6.1 m).
- Provides 270 degree of coverage (approx 90 is blocked by the pole)
- Default Settings:
 - Output: Occupied - 100%/Unoccupied - 50%
 - Integral PE Sensor.
 - 5 minute post-occupancy time delay, 5 minute dimming ramp-down.
- Fixture power increase of 1W expected with sensor use.



H1/4 - Motion Sensing Option (WattStopper)

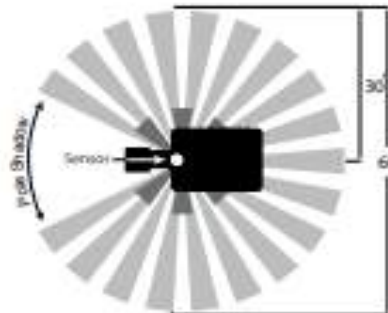
- Recommended Mounting Height: 15-30' (4.6-9.1m)
- For mounting heights exceeding 30 ft., pole mounted sensors are recommended
- Coverage Radius: 15-20' (4.6-6.1 m).
- Provides 270 degree of coverage (approx 90 is blocked by the pole)
- Default Settings:
 - Output: Occupied - 100%/Unoccupied - 50%
 - PE Sensor: Enabled
 - Ramp/Fade: 5 Minutes/5 Minutes
- Adds < 1W to fixture power rating
- Field programmable using FSIR-100 hand held programmer



H2 - Motion Sensing Option (Daintree)

- Recommended Mounting Height: 15-30' (4.6-9.1m)
- For mounting heights exceeding 30 ft., pole mounted sensors are recommended
- Provides a coverage area radius for walking motion of 15-20 ft. (4.57-6.10m)
- Provides 270 degree of coverage (approx 90 is blocked by the pole)
- Default Settings:
 - Output: Occupied - 100%/Unoccupied - 50%
 - PE Sensor: Enabled
 - Ramp/Fade: 5 Minutes/5 Minutes
- Adds < 1W to fixture power rating
- Requires Daintree Enterprise and wide area control (WAC)

Sensing Pattern Area Fixture
Up to 30 ft. Mounting Height



Submitting Agency:



lighting > electrical > energy
technology > signs

214-351-6266

Description: **EACL 01 0 F2 AN 7 40-DIMMING-D1-******

Project: **JPMC WHITNEY**

Notes:

Type:

SL3

EVOLVE

EACL® Series

LED Area Light/Compact Low Wattage

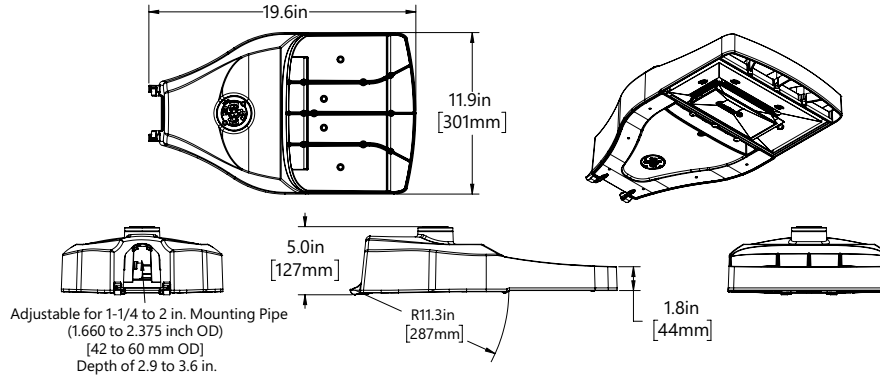
CUSTOMER NAME _____

PROJECT NAME _____

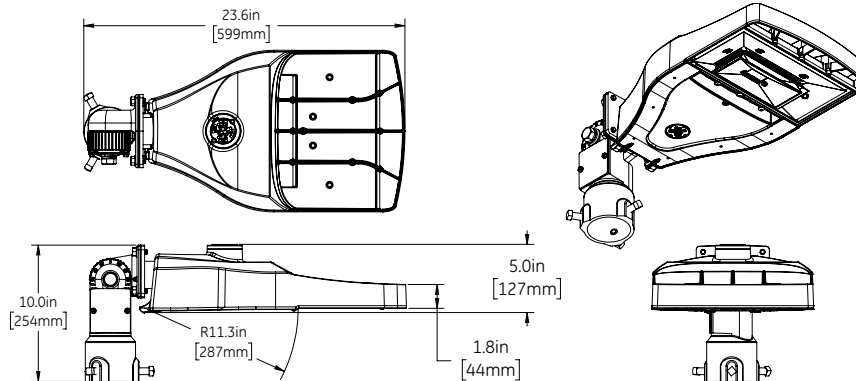
DATE _____ TYPE _____

CATALOG NUMBER _____

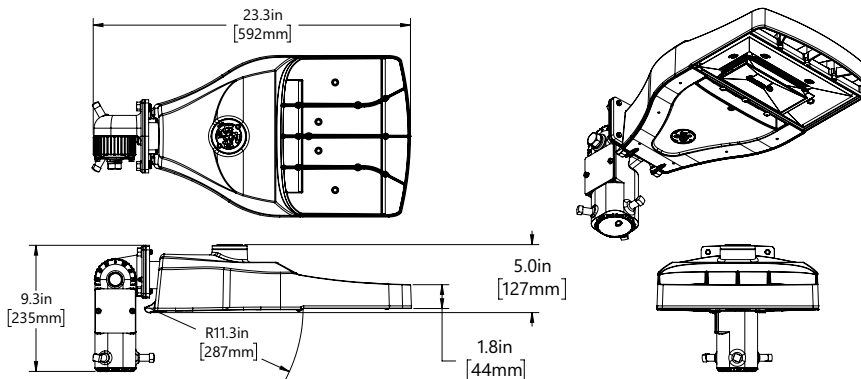
Integral Slipfitter: C1



Knuckle Slipfitter: S1



Knuckle Slipfitter: K1



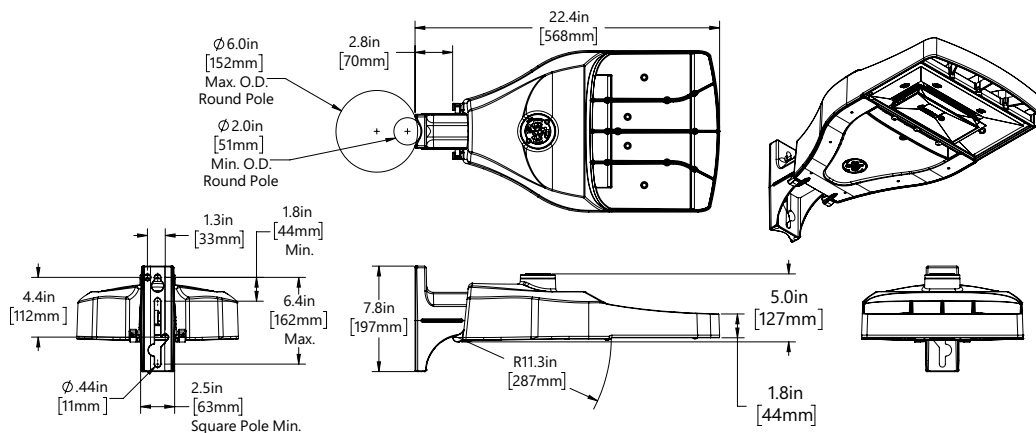


EVOLVE

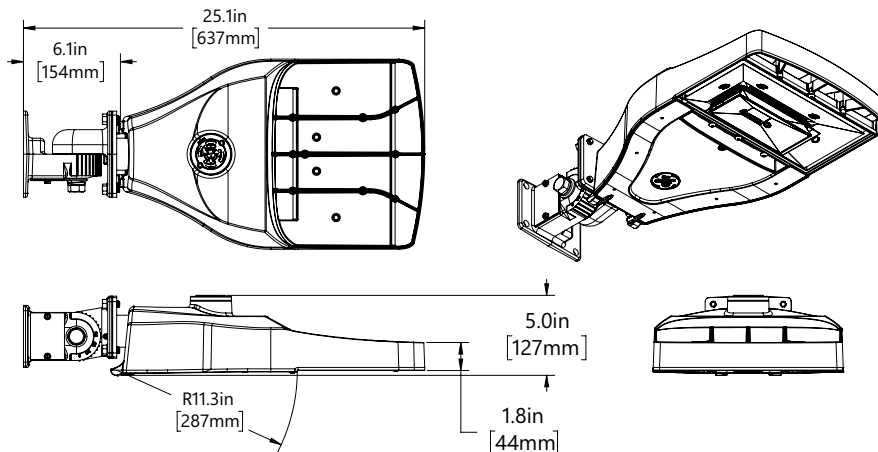
EACL® Series
LED Area Light/Compact Low Wattage

CUSTOMER NAME _____
PROJECT NAME _____
DATE _____ TYPE _____
CATALOG NUMBER _____

Universal Mounting Arm: D1



Knuckle Wall Mount: V1



Weight

- 18 lbs (8.16 kg) Max depending on configuration

Effective Projected Area

- Integral Slipfitter C1, EPA = 0.31 Min/0.37 Max
- Universal Arm Mount D1, EPA = 0.31 Min / 0.52 Max
- Knuckle Slipfitter S1, K1 downward aim, EPA = 0.46 Min / 0.56 Ma
- Knuckle Slipfitter S1, K1 45° aim, EPA = 0.56 Min / 1.03 Max

Submitting Agency:



lighting > electrical > energy
technology > signs
214-351-6266

Description: EACL 01 0 F2 AN 7 40-DIMMING-D1-****
Project: JPMC WHITNEY
Notes:

Type:

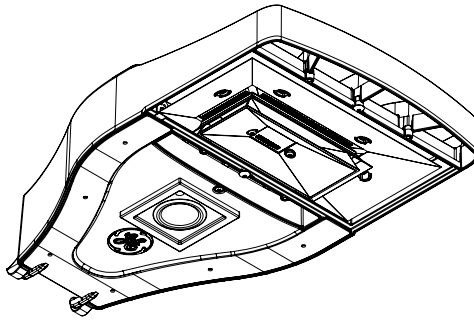
SL3

EVOLVE

EACL® Series

LED Area Light/Compact Low Wattage

CUSTOMER NAME _____
PROJECT NAME _____
DATE _____ TYPE _____
CATALOG NUMBER _____



PE Accessories (To Be Order Separately)

| SAP NUMBER | PART NUMBER | DESCRIPTION |
|------------|---------------|--|
| 93123552 | WANSI - 277 | ANSI 136.41 Dimming PE Danitree Enable, 105-305V |
| 93123553 | WANSI - 480 | ANSI 136.41 Dimming PE Danitree Enable, 312-530V |
| 93029237 | PED-MV-LED-7 | ANSI C136.41 Dimming PE, 120-277V |
| 93029238 | PED-347-LED-7 | ANSI C136.41 Dimming PE, 347V |
| 93029239 | PED-480-LED-7 | ANSI C136.41 Dimming PE, 480V |

| SAP NUMBER | PART NUMBER | DESCRIPTION |
|------------|-------------|-------------------|
| 28299 | PECOTL | STANDARD 120-277V |
| 28294 | PEC5TL | STANDARD 480V |
| 80436 | PECDTL | STANDARD 347V |
| 73251 | SCCL-PECTL | Shorting cap |

Back Light Shield

| SHIELD ORIENTATIONS | CUTOFF DISTANCE | SHIELD ORDER LOGIC |
|---------------------|-----------------|--------------------|
| Back | Long | ELS-EACL-RBL-BLCK |

EVOLVE

EACL® Series

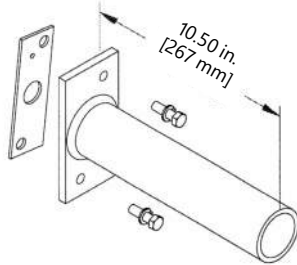
LED Area Light/Compact Low Wattage

CUSTOMER NAME _____
PROJECT NAME _____
DATE _____ TYPE _____
CATALOG NUMBER _____

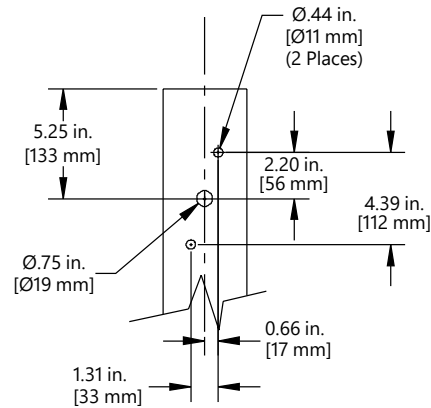
Mounting Arms for Slipfitter Order separately with Mounting Option C1 (Slipfitter)

Square pole mounting arm

- 3.5 to 4.5-inch (89 to 114mm) square (will allow 4 fixtures per pole @ 90 degrees)

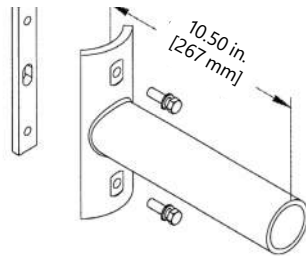


Square pole mounting drilling template



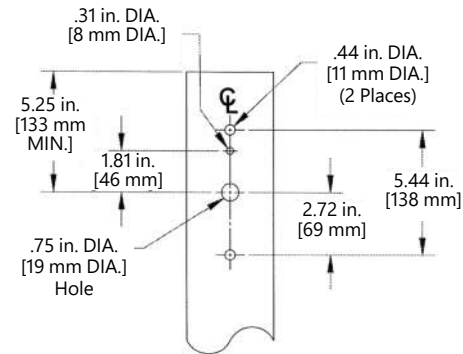
Round Pole Mounting Arm

- 3.5 to 4.5-inch (89 to 114mm) od (will allow 4 fixtures per pole @ 90 degrees.)



Round Pole Mounting Drilling Template

- 3.5 TO 4.5-inch (89 to 114mm) OD round pole mounting arm



Order separately from fixture as catalog number

- RPA-EAMT10BLCK "Black"
- RPA-EAMT10DKBZ "Dark Bronze"
- RPA-EAMT10WHITE "White"

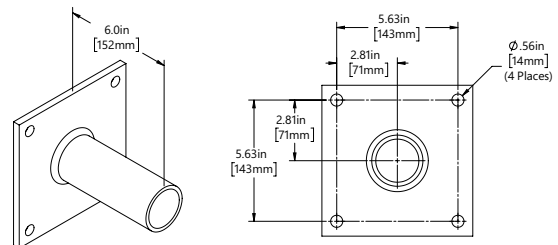
Wall Mounting Bracket Adapter Plate

Order separately from fixture as catalog number
WMB-EAMT06

*NOTE: For Wall Mounting, order luminaire with mounting arm: C1 = Slipfitter 2"
Pipe (2.378 in. OD) supplied with leads.

Other mounting patterns are available for retrofit installations. Contact manufacturing for other available mounting patterns.

Wall MOUNTING Bracket Hole Pattern



Submitting Agency:



lighting > electrical > energy
technology > signs
214-351-6266

Description: EACL 01 0 F4 AF 7 40-DIMMING- D1 ****
Project: JPMC WHITNEY
Notes:

Type:
SL4

EVOLVE



CUSTOMER NAME _____

PROJECT NAME _____

DATE _____ TYPE _____

CATALOG NUMBER _____

EACL® Series

LED Area Light/Compact Low Wattage

Current's EAL Series of Area Light Luminaires offer a wide range of optical patterns, color temperatures, lumen packages, and mounting configurations to optimize area light applications, as well as provide versatility in lighting design within the same form factor.

Construction

| | |
|-----------------|--|
| Housing: | Die-cast aluminum housing with integral heat sink for maximum heat transfer Corrosion resistant polyester powder paint, minimum 2.0 mil thickness |
| Paint: | Standard = Black, Dark Bronze Gray, White (RAL & custom colors available) Optional coastal finish available. |
| Weight: | 18 lbs (8.16 kg) Max depending on configuration |

Optical System

| | |
|----------------------|--|
| Lumens: | 2,900 - 20,400 |
| Distribution: | Asymmetric Forward Type IV Asymmetric Wide Type III Asymmetric Narrow/Auto Type II |
| Efficacy: | 123 - 143 LPW |
| CCT: | 3000K, 4000K, 5000K |
| CRI: | ≥70 |

Electrical

| | |
|-----------------------------------|----------------------|
| Input Voltage: | 120-277V & 347-480V |
| Input Frequency: | 50/60Hz |
| Power Factor: | > 90% at rated watts |
| Total Harmonic Distortion: | < 20% at rated watts |

Surge Protection*

| TYPICAL [120 STRIKES] | ENHANCED [40 STRIKES] |
|--------------------------|--------------------------|
| 6kV/3kA* | 10kV/5kA* |

*Per ANSI C136.2-2015

Lumen Maintenance

Projected Lxx per IES TM-21-11 at

| LUMEN CODES | LXX(10K) @ HOURS | | |
|--|------------------|-----------|-----------|
| | 25,000 HR | 50,000 HR | 60,000 HR |
| A2, A3, A4, B2, B3, B4, C2, C3, C4D2, D3, D4, E2, E3, E4, F2, F3, F4 | L94 | L90 | L88 |
| H2, H3, H4 | L97 | L96 | L96 |

Luminaire Ambient Temperature Factor

| AMBIENT TEMP (°C) | INITIAL FLUX FACTOR | AMBIENT TEMP (°C) | INITIAL FLUX FACTOR |
|-------------------|---------------------|-------------------|---------------------|
| 10 | 1.02 | 30 | 0.99 |
| 20 | 1.01 | 40 | 0.98 |
| 25 | 1.00 | 50 | 0.97 |

Ratings

| | |
|-------------------------------|--|
| Operating Temperature: | -40°C to 50°C |
| Vibration: | 3G vibration per ANSI C136.31-2018 |
| LM-79: | Testing in accordance with IESNA Standards |

Controls

| | |
|-----------------|--|
| Dimming: | Standard - 0-10V Optional - DALI (Option U) |
| Sensors: | Photo Electric Sensors (PE) available LightGrid and Daintree Compatible |

Warranty

5 Year (Standard)



Not all product variations listed on this page are DLC qualified. Visit www.designlights.org/search to confirm qualifications.



gecurrent.com/brands/evolve

© 2022 Current Lighting Solutions, LLC. All rights reserved. GE and the GE monogram are trademarks of the General Electric Company and are used under license. Information and specifications subject to change without notice. All values are design or typical values when measured under laboratory conditions.

Page 1 of 10
(Rev December 21, 2022 1:08 AM)

OPLP3157_R04

Submitting Agency:



Description: **EACL 01 0 F4 AF 7 40-DIMMING- D1 ******
 Project: **JPMC WHITNEY**
 Notes:

Type:
SL4

EVOLVE

EACL® Series
 LED Area Light/Compact Low Wattage

CUSTOMER NAME _____
 PROJECT NAME _____
 DATE _____ TYPE _____
 CATALOG NUMBER _____

Ordering Information

EACL 01 7

| PROD. ID | GEN | VOLTAGE | OPTIC CODE | DISTRIBUTION | CRI [MIN] | CCT | DIMMING ² | CONTROLS | MOUNTING ARM | COLOR | OPTIONS |
|-------------------------|-----|---------------------------|-------------|-----------------------------|--------------|-------------------------|-------------------------------------|---|---|--------------------|--|
| E = Evolve | 01 | 0 = 120-277V ¹ | Ax=3000 lm | AF = Asymmetric Forward | 7 = 70 | 30 = 3000K ¹ | N = Dimming thru PE receptacle | 1 = None | C1 = Integral Slip-fitter for 1.25"- 2" Pipe (1.66in. OD - 2.378 in. OD) ⁴ | GRAY = Gray | F = Fusing |
| AC = Compact Area Light | | H = 347-480V ¹ | Bx=5000 lm | AW = Asymmetric Wide | | 40 = 4000K | D = External Dimming 18/2-3ft cable | A = ANSI 7-pin PE receptacle (no control) | D1 = Universal Mounting Arm, fitted for round or square pole mounting ⁵ | BLCK = Black | H1 = Motion Sensor w/ LightGrid |
| L = Low Voltage | | 1 = 120V | Cx=7500 lm | AN = Asymmetric Narrow/Auto | | 50 = 5000K | X = No External Dimming Leads | D = ANSI 7-pin PE receptacle with shorting cap provided | K1 = Knuckle Slipfitter for 1.9 in - 2.3in. OD Tenon ^{6a} | DKBZ = Dark Bronze | H2 = Motion Sensor (Daintree) ⁸ |
| | | 2 = 208V | Dx=10000 lm | | | | | E = ANSI C136.41 7-pin with Non-Dimming PE Control ³ | S1 = Knuckle Slipfitter for 2.3in. - 3.0in OD Tenon ^{6a} | WHTE = White | H4 = Motion Sensor (Wattstopper) |
| | | 3 = 240V | Dx=10000 lm | | | | | | V1 = Knuckle Wall Mount ^{6a} | | J = cUL/Canada |
| | | 4 = 277V | Ex=12500 lm | | | | | | | | L = Tool-Less Entry |
| | | 5 = 480V | Fx=15000 lm | | | | | | | | R = Enhanced Surge Protection (10kV/5kA) |
| | | D = 347V | Hx=20000 lm | | | | | | | | U = DALI dimming ⁷ |
| | | | | | | | | | | | V = 3-Position Terminal Block |
| | | | | | | | | | | | Y = Coastal Finish ¹⁰ |
| | | | | | | | | | | | XXX = Special Options |

¹ Not Available with Fusing, Must Choose a Discrete Voltage with "F" Option Code
² Note Standard Dimming is 0-10V
³ PE Control only available for 120-277V, 347V or 480V Discrete Voltage.
⁴ Supplied with 3ft leads
⁵ Supplied with 16/3 ft Cable
⁶ Restricted Aiming Angle of 0-45°

⁷ Compatible with LightGrid Wireless Control Nodes, Not Compatible with Motion Sensor Control
⁸ H2 Sensor is not available in High Voltage (347V, 480V or 347-480V)
¹⁰ Recommended for installations within 750 feet from coast. Lead time varies, check with factory.
¹¹ Select 3000K CCT for IDA approved fixtures.

Submitting Agency:



lighting > electrical > energy
technology > signs
214-351-6266

Description: **EACL 01 0 F4 AF 7 40-DIMMING- D1 ******
Project: **JPMC WHITNEY**
Notes:

Type:
SL4

EVOLVE

EACL® Series
LED Area Light/Compact Low Wattage

CUSTOMER NAME _____

PROJECT NAME _____

DATE _____ TYPE _____

CATALOG NUMBER _____

| OPTICAL CODE | DIST CODE | CLASSIFICATION | TYPICAL LUMENS | | TYPICAL SYSTEM WATTAGE | | BUG RATING | |
|--------------|-----------|----------------|----------------|---------------|------------------------|----------|------------|---------------|
| | | | 3000K | 4000K & 5000K | 120-277V | 347-480V | 3000K | 4000K & 5000K |
| A4 | AF | TYPE IV | 2900 | 2900 | 21 | 23 | B1-UO-G1 | B1-UO-G1 |
| B4 | | | 4900 | 4900 | 36 | 38 | B1-UO-G1 | B1-UO-G1 |
| C4 | | | 7300 | 7300 | 55 | | B1-UO-G2 | B1-UO-G2 |
| D4 | | | 9800 | 9800 | 73 | | B2-UO-G2 | B2-UO-G2 |
| E4 | | | 12200 | 12200 | 95 | | B2-UO-G2 | B2-UO-G2 |
| F4 | | | 14700 | 14700 | 122 | | B2-UO-G2 | B2-UO-G2 |
| H4 | | | 19000 | 19000 | 153 | | B3-UO-G3 | B3-UO-G3 |
| A3 | AW | TYPE III | 2900 | 3000 | 21 | 23 | B1-UO-G1 | B1-UO-G1 |
| B3 | | | 4900 | 5100 | 36 | 38 | B1-UO-G1 | B1-UO-G1 |
| C3 | | | 7400 | 7600 | 55 | | B1-UO-G2 | B1-UO-G2 |
| D3 | | | 9900 | 10200 | 73 | | B2-UO-G2 | B2-UO-G2 |
| E3 | | | 12400 | 12700 | 95 | | B2-UO-G2 | B2-UO-G2 |
| F3 | | | 14900 | 15300 | 122 | | B2-UO-G2 | B2-UO-G2 |
| H3 | | | 19300 | 20400 | 153 | | B3-UO-G2 | B3-UO-G2 |
| A2 | | | AN | TYPE II | 2900 | 3000 | 21 | 23 |
| B2 | 4900 | 5000 | | | 36 | 38 | B1-UO-G1 | B1-UO-G1 |
| C2 | 7300 | 7500 | | | 55 | | B2-UO-G1 | B2-UO-G2 |
| D2 | 9800 | 10100 | | | 73 | | B2-UO-G2 | B2-UO-G2 |
| E2 | 12300 | 12600 | | | 95 | | B2-UO-G2 | B2-UO-G2 |
| F2 | 14700 | 15100 | | | 122 | | B3-UO-G2 | B3-UO-G3 |
| H2 | 19100 | 20200 | | | 153 | | B3-UO-G3 | B3-UO-G3 |

For additional information on EACL IES files, please click one of the following links:

[Non-Shielded](#)

[Shielded](#)

Submitting Agency:



lighting > electrical > energy
technology > signs
214-351-6266

Description: **EACL 01 0 F4 AF 7 40-DIMMING- D1 ******
Project: **JPMC WHITNEY**
Notes:

Type:
SL4

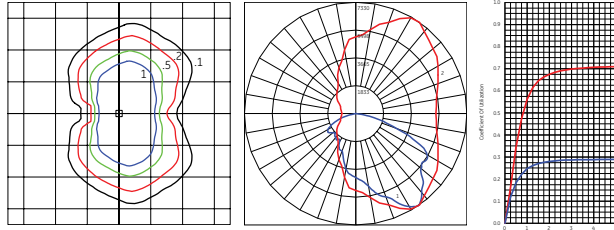
EVOLVE

EACL® Series
LED Area Light/Compact Low Wattage

CUSTOMER NAME _____
PROJECT NAME _____
DATE _____ TYPE _____
CATALOG NUMBER _____

EACL - Type II - Very Short

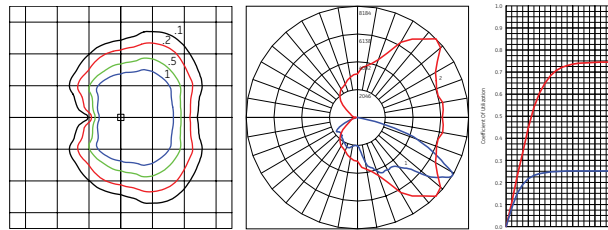
15,100 lumens
EACL01_F2AN750___IES



Grid Distance in Units of Mounting Height at 20' Initial Footcandle Values at Grade — Vertical plane through horizontal angle of maximum candlepower at XX° — Vertical plane through horizontal angle of XX°

EACL - Type III - Short

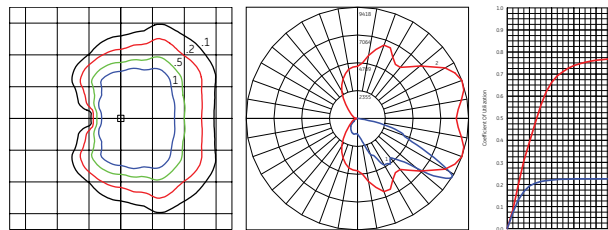
15,300 lumens
EACL01_F3AW750___IES



Grid Distance in Units of Mounting Height at 20' Initial Footcandle Values at Grade — Vertical plane through horizontal angle of maximum candlepower at XX° — Vertical plane through horizontal angle of XX°

EACL - Type III - Very Short

15,000 lumens
EACL01_F4AF750___IES



Grid Distance in Units of Mounting Height at 20' Initial Footcandle Values at Grade — Vertical plane through horizontal angle of maximum candlepower at XX° — Vertical plane through horizontal angle of XX°



EVOLVE

EACL® Series
LED Area Light/Compact Low Wattage

CUSTOMER NAME _____

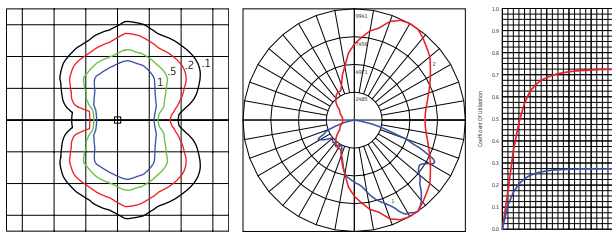
PROJECT NAME _____

DATE _____ TYPE _____

CATALOG NUMBER _____

EACL - Type II- Very Short

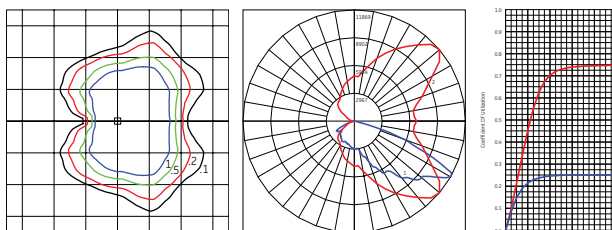
20,200 lumens
EACL01_H2AN750___IES



Grid Distance in Units of Mounting Height at 20' Initial Footcandle Values at Grade — Vertical plane through horizontal angle of maximum candlepower at XX°
— Vertical plane through horizontal angle of XX°

EACL - Type III - Short

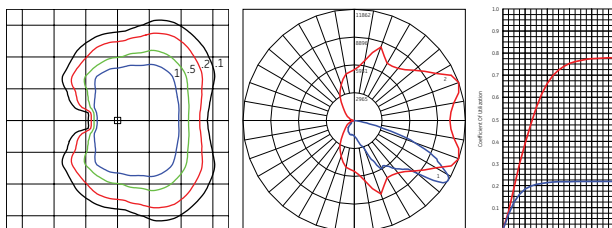
20,400 lumens
EACL01_H3AW750___IES



Grid Distance in Units of Mounting Height at 20' Initial Footcandle Values at Grade — Vertical plane through horizontal angle of maximum candlepower at XX°
— Vertical plane through horizontal angle of XX°

EACL - Type IV - Very Short

20,000 lumens
EACL01_H4AF750___IES



Grid Distance in Units of Mounting Height at 20' Initial Footcandle Values at Grade — Vertical plane through horizontal angle of maximum candlepower at XX°
— Vertical plane through horizontal angle of XX°

EVOLVE

EACL® Series
LED Area Light/Compact Low Wattage

CUSTOMER NAME _____

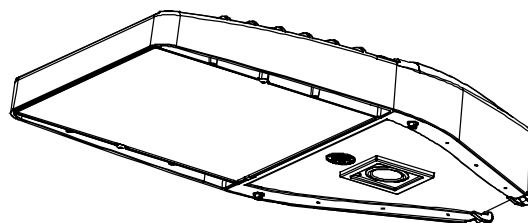
PROJECT NAME _____

DATE _____ TYPE _____

CATALOG NUMBER _____

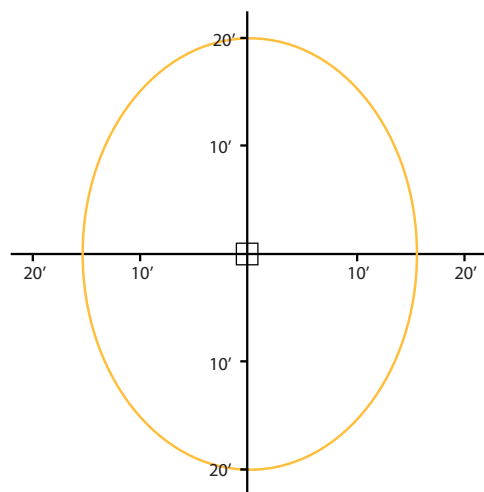
H-Motion Sensing Option

- Recommended Mounting Height: 15-30' (4.6-9.1m)
- For mounting heights exceeding 30 ft., pole mounted sensors are recommended
- Coverage Radius: 15-20' (4.6-6.1 m).
- Provides 270 degree of coverage (approx 90 is blocked by the pole)
- Default Settings:
 - Output: Occupied - 100%/Unoccupied - 50%
 - Integral PE Sensor.
 - 5 minute post-occupancy time delay, 5 minute dimming ramp-down.
- Fixture power increase of 1W expected with sensor use.



H1/4 - Motion Sensing Option (WattStopper)

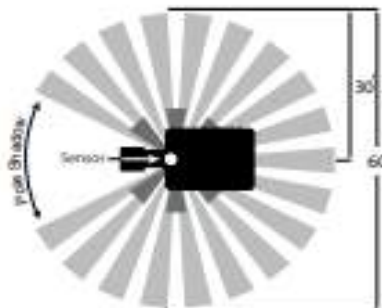
- Recommended Mounting Height: 15-30' (4.6-9.1m)
- For mounting heights exceeding 30 ft., pole mounted sensors are recommended
- Coverage Radius: 15-20' (4.6-6.1 m).
- Provides 270 degree of coverage (approx 90 is blocked by the pole)
- Default Settings:
 - Output: Occupied - 100%/Unoccupied - 50%
 - PE Sensor: Enabled
 - Ramp/Fade: 5 Minutes/5 Minutes
- Adds < 1W to fixture power rating
- Field programmable using FSIR-100 hand held programmer



H2 - Motion Sensing Option (Daintree)

- Recommended Mounting Height: 15-30' (4.6-9.1m)
- For mounting heights exceeding 30 ft., pole mounted sensors are recommended
- Provides a coverage area radius for walking motion of 15-20 ft. (4.57-6.10m)
- Provides 270 degree of coverage (approx 90 is blocked by the pole)
- Default Settings:
 - Output: Occupied - 100%/Unoccupied - 50%
 - PE Sensor: Enabled
 - Ramp/Fade: 5 Minutes/5 Minutes
- Adds < 1W to fixture power rating
- Requires Daintree Enterprise and wide area control (WAC)

Sensing Pattern Area Fixture
Up to 30 ft. Mounting Height



Submitting Agency:



lighting > electrical > energy
technology > signs

214-351-6266

Description: **EACL 01 0 F4 AF 7 40-DIMMING- D1 ******

Project: **JPMC WHITNEY**

Notes:

Type:

SL4

EVOLVE

EACL® Series
LED Area Light/Compact Low Wattage

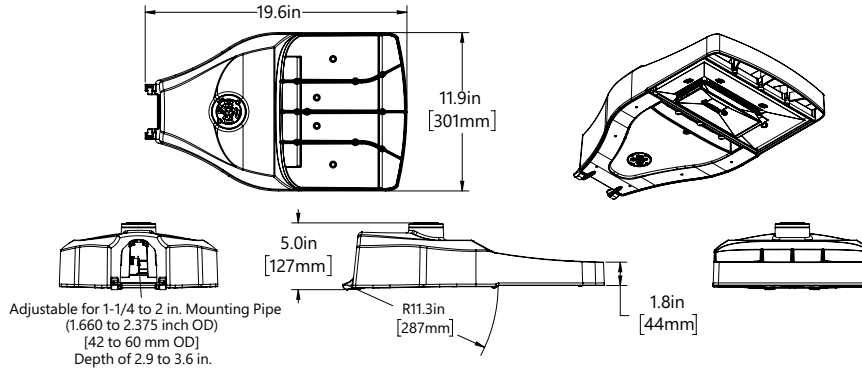
CUSTOMER NAME _____

PROJECT NAME _____

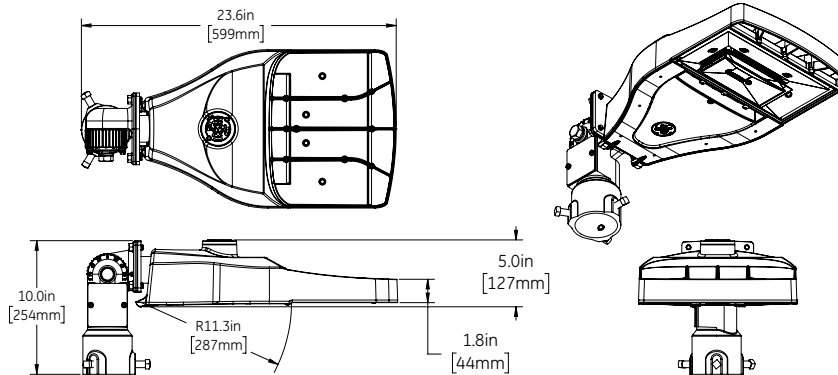
DATE _____ TYPE _____

CATALOG NUMBER _____

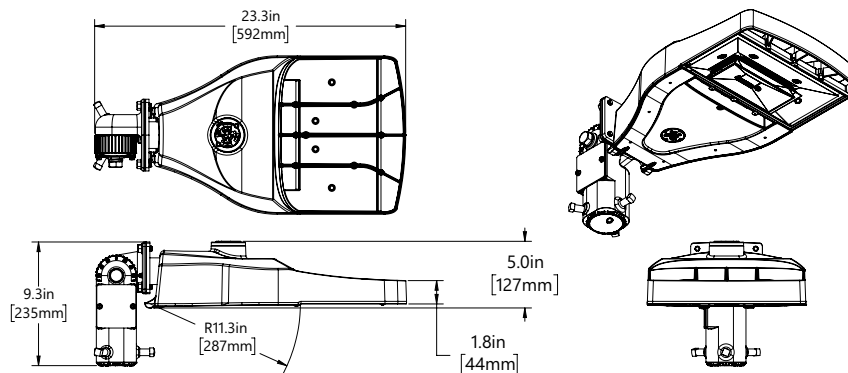
Integral Slipfitter: C1



Knuckle Slipfitter: S1



Knuckle Slipfitter: K1



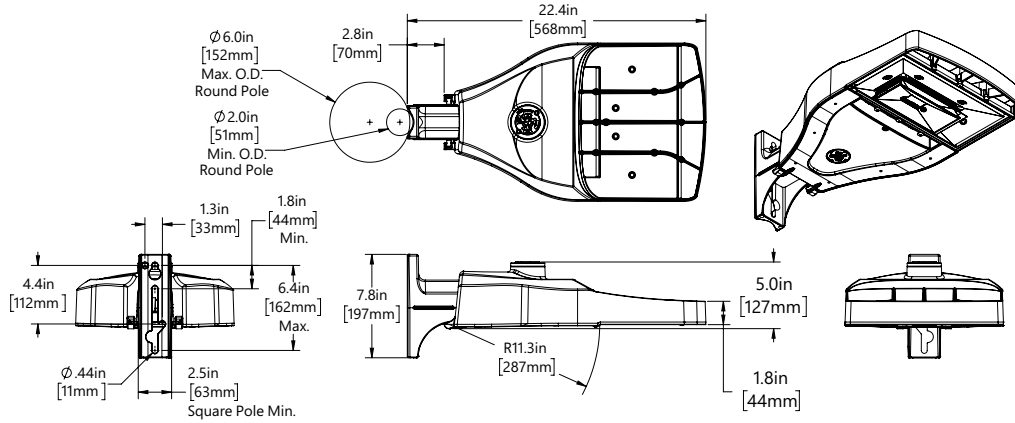


EVOLVE

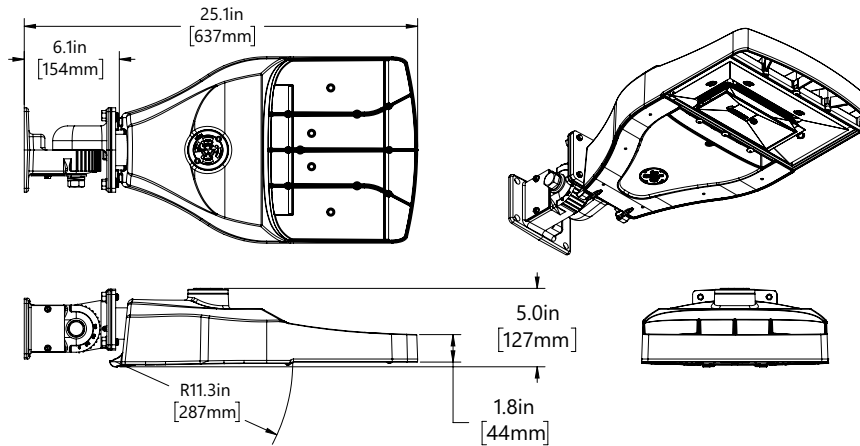
EACL® Series
LED Area Light/Compact Low Wattage

CUSTOMER NAME _____
PROJECT NAME _____
DATE _____ TYPE _____
CATALOG NUMBER _____

Universal Mounting Arm: D1



Knuckle Wall Mount: V1



Weight

- 18 lbs (8.16 kg) Max depending on configuration

Effective Projected Area

- Integral Slipfitter C1, EPA = 0.31 Min / 0.37 Max
- Universal Arm Mount D1, EPA = 0.31 Min / 0.52 Max
- Knuckle Slipfitter S1, K1 downward aim, EPA = 0.46 Min / 0.56 Ma
- Knuckle Slipfitter S1, K1 45° aim, EPA = 0.56 Min / 1.03 Max

Submitting Agency:

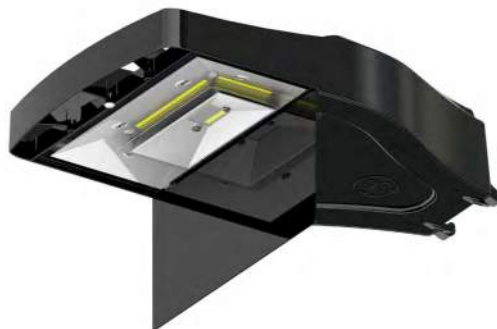
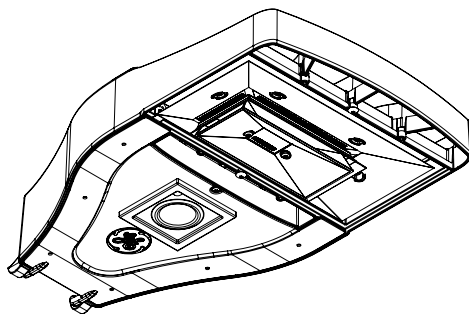


lighting > electrical > energy
technology > signs
214-351-6266

Description: EACL 01 0 F4 AF 7 40-DIMMING- D1 ****
Project: JPMC WHITNEY
Notes:

Type:
SL4

CUSTOMER NAME _____
PROJECT NAME _____
DATE _____ TYPE _____
CATALOG NUMBER _____



PE Accessories (To Be Order Separately)

| SAP NUMBER | PART NUMBER | DESCRIPTION |
|------------|---------------|--|
| 93123552 | WANSI - 277 | ANSI 136.41 Dimming PE Danitree Enable, 105-305V |
| 93123553 | WANSI - 480 | ANSI 136.41 Dimming PE Danitree Enable, 312-530V |
| 93029237 | PED-MV-LED-7 | ANSI C136.41 Dimming PE, 120-277V |
| 93029238 | PED-347-LED-7 | ANSI C136.41 Dimming PE, 347V |
| 93029239 | PED-480-LED-7 | ANSI C136.41 Dimming PE, 480V |

| SAP NUMBER | PART NUMBER | DESCRIPTION |
|------------|-------------|-------------------|
| 28299 | PEC0TL | STANDARD 120-277V |
| 28294 | PEC5TL | STANDARD 480V |
| 80436 | PECDTL | STANDARD 347V |
| 73251 | SCCL-PECTL | Shorting cap |

Back Light Shield

| SHIELD ORIENTATIONS | CUTOFF DISTANCE | SHIELD ORDER LOGIC |
|---------------------|-----------------|--------------------|
| Back | Long | ELS-EACL-RBL-BLCK |



EVOLVE

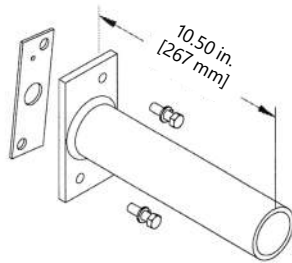
EACL® Series
LED Area Light/Compact Low Wattage

CUSTOMER NAME _____
PROJECT NAME _____
DATE _____ TYPE _____
CATALOG NUMBER _____

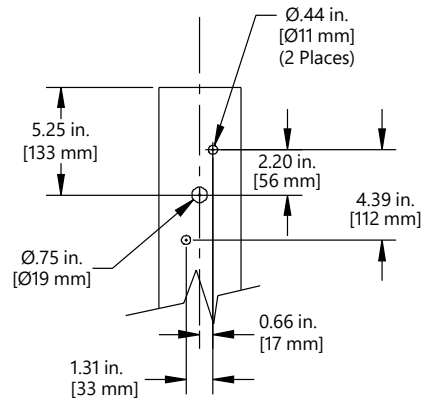
Mounting Arms for Slipfitter Order separately with Mounting Option C1 (Slipfitter)

Square pole mounting arm

- 3.5 to 4.5-inch (89 to 114mm) square (will allow 4 fixtures per pole @ 90 degrees)

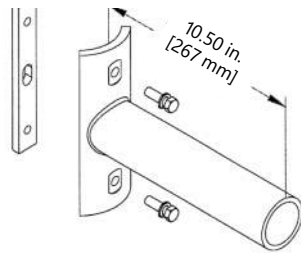


Square pole mounting drilling template



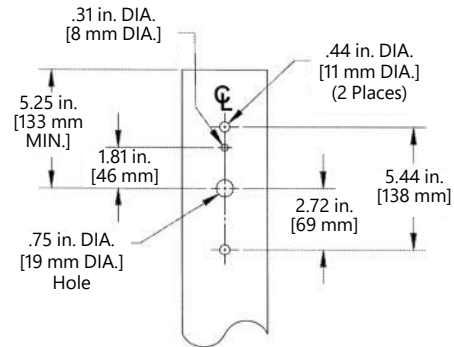
Round Pole Mounting Arm

- 3.5 to 4.5-inch (89 to 114mm) od (will allow 4 fixtures per pole @ 90 degrees.)



Round Pole Mounting Drilling Template

- 3.5 TO 4.5-inch (89 to 114mm) OD round pole mounting arm



Order separately from fixture as catalog number

- RPA-EAMT10BLCK "Black"
- RPA-EAMT10DKBZ "Dark Bronze"
- RPA-EAMT10WHT "White"

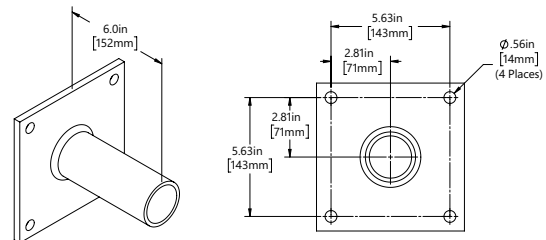
Wall Mounting Bracket Adapter Plate

Order separately from fixture as catalog number
WMB-EAMT06

*NOTE: For Wall Mounting, order luminaire with mounting arm: C1 = Slipfitter 2"
Pipe (2.378 in. OD) supplied with leads.

Other mounting patterns are available for retrofit installations. Contact manufacturing for other available mounting patterns.

Wall MOUNTING Bracket Hole Pattern



Submitting Agency:



lighting > electrical > energy
technology > signs
214-351-6266

Description: 9004-W2-RW-LED3090-W-BK-L1-UNV

Project: JPMC WHITNEY

Notes:

Type:

W1

DESCRIPTION

Lanterra 9004-W1 (Up or Down) and 9004-W2 (Up and Down) are 4.25" O.D., line voltage cylinder fixtures with dimmable LED. The luminaire comes in various mountings, surface mount with integral driver in the housing, remote driver mount with round and square wall plates and square wall integral driver, all of which can be mounted over standard 4 inch j-box. The luminaire also comes with various field replaceable optics. It also comes with various lens, louvers and colors or dichroic filters, which can combine up to two at once to create multiple lighting effects. The fixture may be used indoors or outdoors and carries IP66 rating.

SPECIFICATION FEATURES

Material

Housing, hood and mounting stem are precision-machined from corrosion resistant billet stock 6061-T6 aluminum.

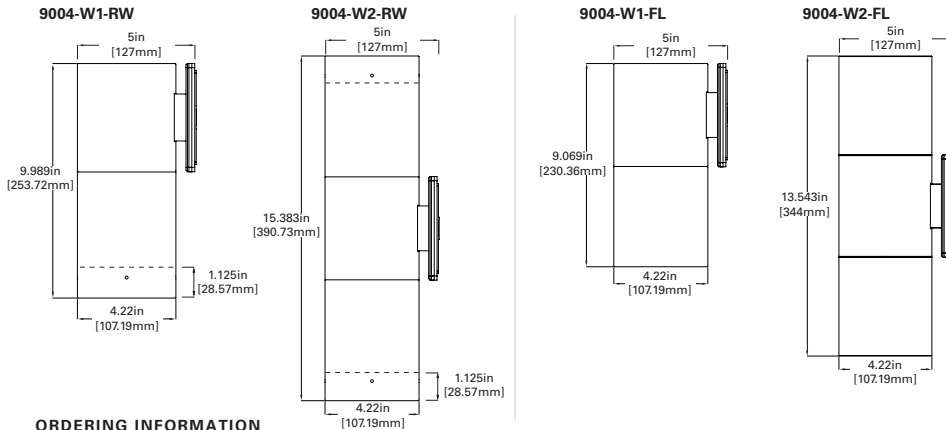
Finish

Fixtures constructed from 6061-T6 aluminum are double protected by an ROHS complaint chemical film undercoating and polyester powder coat paint finish, surpassing the rigorous demands of the outdoor environment. A variety of standard colors are available.

Hood

Hood is removable and accepts up to two internal accessories at once (lenses, louvers and filters) to achieve multiple lighting effects. Weep holes prevents water and mineral stains from collecting on the lens, even in the straight up position. The flush lens design reduces fixture length, minimizes debris collection and prevents water and mineral stains from collecting on the lens.

DIMENSIONS



ORDERING INFORMATION

| SERIES | DIRECTION | HOOD | LED CCT & CRI | FIELD REPLACEABLE OPTIC 1 | FIELD REPLACEABLE OPTIC 2 ¹ | FINISH | LIGHT LEVEL | VOLTAGE | MOUNTING | OPTIONS |
|--------|--|---|--|---|---|---|--|--------------|---|--|
| 9004 | W1 Up or Down W2 ² Up and Down | RW Standard-Recessed Lens with weep holes - Outdoor RI Recessed Lens with no weep holes - Indoor FL Flush lens hood | Standard CRI LED2790 - 2700K, 90 CRI LED 3090 - 3000K, 90 CRI Premium CRI LED 3590 - 3500K, 90 CRI LED 4080 - 4000K, 80 CRI LED 5080 - 5000K, 80 CRI LED 2797 - 2700K, 97 CRI LED 3097 - 3000K, 97 CRI LED 3597 - 3500K, 97 CRI LED 4097 - 4000K, 97 CRI | S Spot M Medium F Flood W Wide Flood | S Spot M Medium F Flood W Wide Flood | Standard Paint Finish BK Black BZ Bronze CS City Silver WT White | L1 Light Level 1 (10W) L2 Light Level 2 (20W) L3 Light Level 3 (30W) | UNV 120-277V | Surface Mount - Wall, Ceiling, Ground RSM Round Surface Mount-mounts directly to junction box Remote Driver Housing WRR ⁵ Remote Driver Housing - Round Wall Plate WRS ⁵ Remote Driver Housing - Square Wall Plate Integral Driver Mount WIS ^{2,3} Wall Integral Driver Plate | SVPD2 ⁴ Standalone integral sensor Thermal Limitations (unless otherwise noted 50C) 9004-W1-xxx-L3-xxx-RSM (45C) 9004-W2-xxx-L3-xxx-RSM (35C) 9004-W2-xxx-LC2-xxx-RSM (40C) Thermal Limitations (unless otherwise noted 50C) 9004-W1-xxx-L3-xxx-WRx (45C) 9004-W2-xxx-L3-xxx-WRx (35C) 9004-W2-xxx-LC2-xxx-WRx (40C) Thermal Limitations (unless otherwise noted 45C) 9004-W1,W2-xx-L1-xx-WIS (50C) |

Notes: 1. Only available for double head option (W2)
2. 9004-W1 not available in L3
3. 9004-W2 not available in L2, L3
4. Only available for Single head, Up or down (W1) with RSM only
5. W2 doubles input wattage listed
6. Remote Driver distance up to 80', For L3 (30W) remote distance up to 15'

Lumiere

| Catalog # | Type |
|-------------|------|
| | |
| Project | |
| | Date |
| | |
| Comments | |
| | |
| Prepared by | |

industry leading high output with 87% lumen maintenance at 60,000hrs.

Compliance

Components are UL recognized and luminaires are cULus listed for 50°C ambient environments unless noted otherwise, wet location listed, and ROHS compliant. IP66 Rated. DesignLights Consortium® Qualified and classified for both DLC Standard and DLC Premium, refer to www.designlights.org for details.

Warranty

Lumiere warrants the Lanterra series of fixtures against defects in material and workmanship for five (5) years. Auxiliary equipment such as LED drivers carries the original manufacturer's warranty.



Lanterra 9004

LED INTERIOR / EXTERIOR CYLINDER FLOOD LIGHT CERTIFICATION DATA
cULus - 1598
Wet Location Listed - IP66
LM79/LM80 Compliant
ROHS Compliant
10W LED, L70/102,000@25° Celcius
20W LED, L70/102,000@25° Celcius
30W LED, L70/102,000@25° Celcius



Submitting Agency:



lighting > electrical > energy
technology > signs
214-351-6266

Description: 9004-W2-RW-LED3090-W-BK-L1-UNV
Project: JPMC WHITNEY
Notes:

Type:

W1

LANTERRA 9004

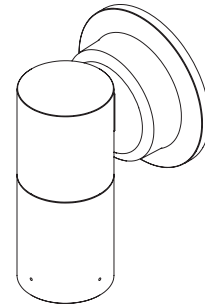
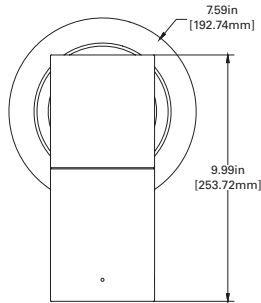
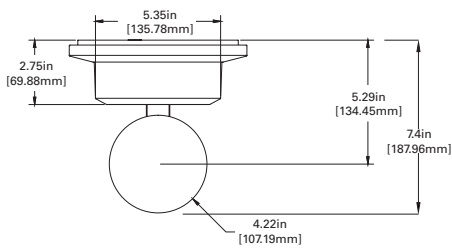
ACCESSORIES - ORDER SEPARATELY

| ACCESSORIES | | | | OPTICS | | |
|-------------|------------------------------------|---------------------------|--------------------------------|---------------------------|---------------------------|---|
| ISHH01LUM | Programming Remote for sensor | Filters | F71-4 Peach Dichroic | Lens | Louvers | LLR-S-3-4 15° Spot |
| ISHH02LUM | Personal Control Remote for sensor | F72-4 Amber Dichroic | F73-4 Green Dichroic | LSL-4 Linear Spread Lens | LVR-4 45° Hex Cell Louver | LLR-M-3-4 25° Medium |
| | | F74-4 Medium Blue | F75-4 Yellow Dichroic | DIF-4 Diffused Lens | | LLR-F-3-4 36° Flood |
| | | F76-4 Red Dichroic | F77-4 Dark Blue Dichroic | OSL-4 Overall Spread Lens | | LLR-W-3-4 60° Wide Flood |
| | | F78-4 Light Blue Dichroic | F79-4 Neutral Density Dichroic | | | LLR-K-3-4 Spot, Medium, Flood, Wide Flood Optic Kit |
| | | F80-4 Magenta Dichroic | F22-4 Red Color | | | |
| | | F22-4 Red Color | F33-4 Blue Color | | | |
| | | F33-4 Blue Color | F44-4 Green Color | | | |
| | | F44-4 Green Color | F55-4 Yellow Color | | | |
| | | F55-4 Yellow Color | F66-4 Mercury Color | | | |
| | | F66-4 Mercury Color | | | | |

MOUNTINGS

ROUND SURFACE MOUNT (RSM)

RSM-W1 (Up or down)



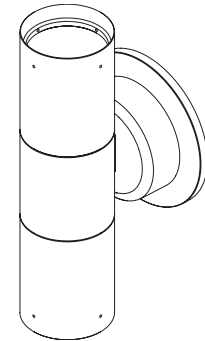
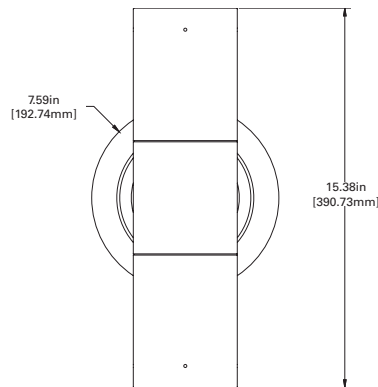
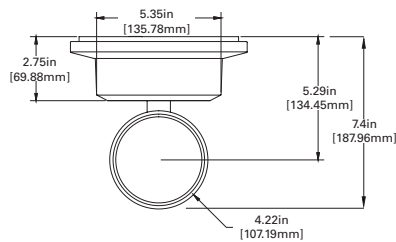
TOP VIEW

FRONT VIEW

ISO VIEW

ROUND SURFACE MOUNT (RSM)

RSM-W2 (Up and down)



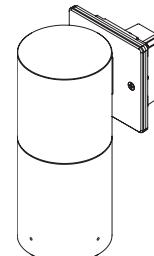
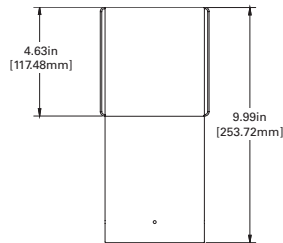
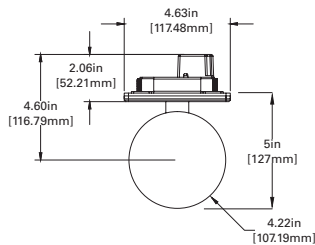
TOP VIEW

FRONT VIEW

ISO VIEW

WALL INTEGRAL DRIVER PLATE (WIS)

WIS-W1 (Up or down)



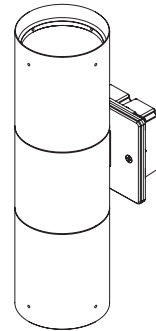
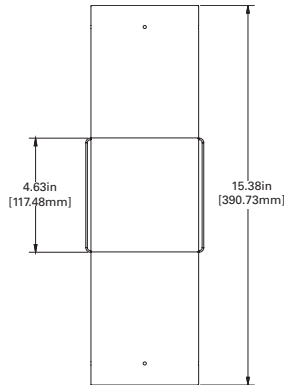
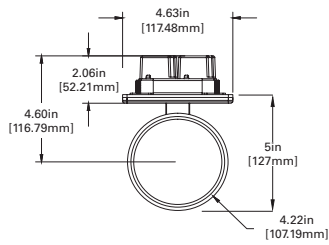
TOP VIEW

FRONT VIEW

ISO VIEW

WALL INTEGRAL DRIVER PLATE (WIS)

WIS-W2 (Up and down)



TOP VIEW

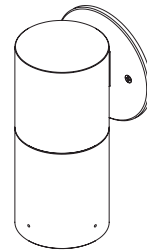
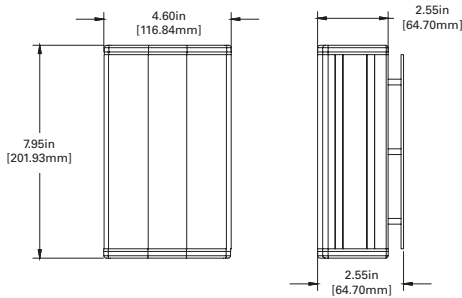
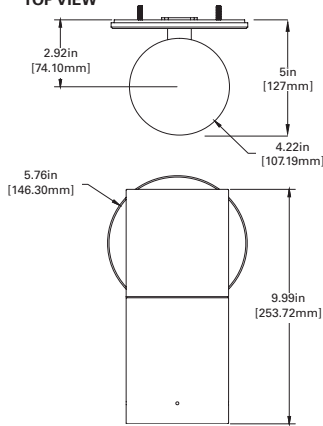
FRONT VIEW

ISO VIEW

REMOTE DRIVER HOUSING ROUND WALL (WRR)

WRR-W1 (Up or down), as shown
WRS-W1 (Square option also available)

TOP VIEW



Remote Driver distance up to 60',
For L3 remote distance up to 15'

FRONT VIEW

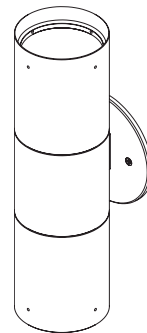
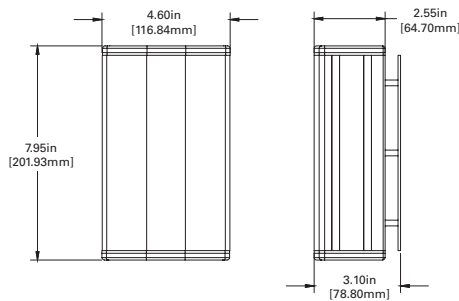
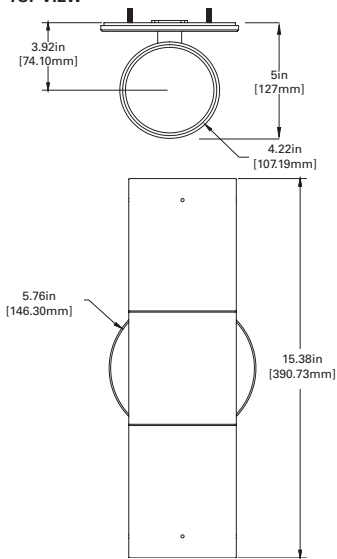
REMOTE BOX

ISO VIEW

REMOTE DRIVER HOUSING ROUND WALL (WRR)

WRR-W2 (Up and down)
WRS-W2 (Square option also available)

TOP VIEW



Remote Driver distance up to 60',
For L3 remote distance up to 15'

FRONT VIEW

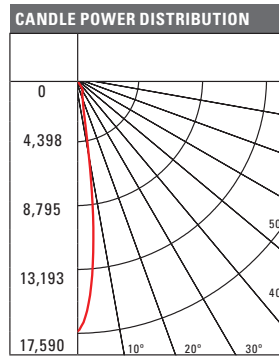
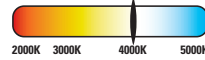
REMOTE BOX

ISO VIEW

PHOTOMETRICS

| | |
|--------------|------------------------------------|
| Test Number | P29496 |
| Lumcat | 9004-[W1]-X-FL-LED4080-S-BK-L3-UNV |
| Lumens | 2801 Lm |
| Watts | 28.6 W |
| LPW | 97.9 Lm/W |
| CCT | 4000K |
| SC (0/90/45) | 0.27 / 0.27 / 0.27 |
| Beam Angle | 15.9° |

| COLOR METRIC SUMMARY | |
|----------------------|------------------------|
| TM-30-15 | Rf = 82.5 Rg = 94.3 |
| CRI/CIE | Ra = 83.1 R9 = 11.4 |

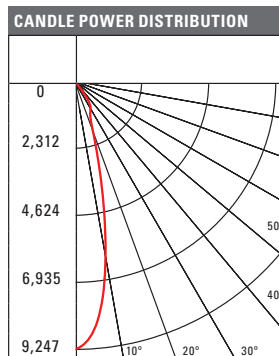
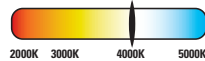


| CONE OF LIGHT | | | |
|---------------------------------|--------|------|------|
| Horizontal Illuminance on Floor | | | |
| MH | FC | L | W |
| 2' | 4397.5 | 0.4 | 0.4 |
| 4' | 1099.4 | 1 | 1 |
| 6' | 488.6 | 1.6 | 1.6 |
| 8' | 274.8 | 2 | 2 |
| 10' | 175.9 | 2.6 | 2.6 |
| 15' | 78.2 | 4 | 4 |
| 20' | 44 | 5.4 | 5.4 |
| 30' | 19.5 | 8.2 | 8.2 |
| 40' | 11 | 10.8 | 10.8 |

| CANDELA TABLE | |
|---------------|-------|
| Angle | 0-deg |
| 0 | 17590 |
| 5 | 13640 |
| 10 | 5616 |
| 15 | 2329 |
| 20 | 1555 |
| 30 | 1057 |
| 40 | 161 |
| 50 | 11 |
| 60 | 4 |
| 70 | 1 |
| 80 | 0 |
| 90 | 0 |

| | |
|--------------|------------------------------------|
| Test Number | 29497 |
| Lumcat | 9004-[W1]-X-FL-LED4080-M-BK-L3-UNV |
| Lumens | 2826 Lm |
| Watts | 28.6 W |
| LPW | 98.8 Lm/W |
| CCT | 4000K |
| SC (0/90/45) | 0.43 / 0.43 / 0.44 |
| Beam Angle | 25.5° |

| COLOR METRIC SUMMARY | |
|----------------------|------------------------|
| TM-30-15 | Rf = 82.5 Rg = 94.3 |
| CRI/CIE | Ra = 83.1 R9 = 11.4 |

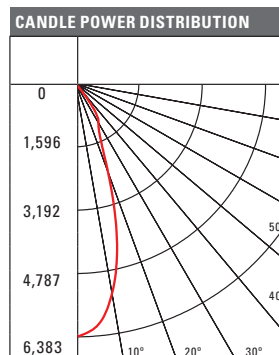
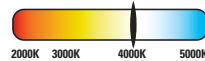


| CONE OF LIGHT | | | |
|---------------------------------|--------|------|------|
| Horizontal Illuminance on Floor | | | |
| MH | FC | L | W |
| 2' | 2311.8 | 0.8 | 0.8 |
| 4' | 577.9 | 1.6 | 1.6 |
| 6' | 256.9 | 2.4 | 2.4 |
| 8' | 144.5 | 3.4 | 3.4 |
| 10' | 92.5 | 4.2 | 4.2 |
| 15' | 41.1 | 6.4 | 6.4 |
| 20' | 23.1 | 8.6 | 8.6 |
| 30' | 10.3 | 12.8 | 12.8 |
| 40' | 5.8 | 17.2 | 17.2 |

| CANDELA TABLE | |
|---------------|-------|
| Angle | 0-deg |
| 0 | 9247 |
| 5 | 8453 |
| 10 | 6140 |
| 15 | 3506 |
| 20 | 1860 |
| 30 | 1098 |
| 40 | 170 |
| 50 | 13 |
| 60 | 4 |
| 70 | 1 |
| 80 | 0 |
| 90 | 0 |

| | |
|--------------|------------------------------------|
| Test Number | P29498 |
| Lumcat | 9004-[W1]-X-FL-LED4080-F-BK-L3-UNV |
| Lumens | 2871 Lm |
| Watts | 28.5 W |
| LPW | 100.7 Lm/W |
| CCT | 4000K |
| SC (0/90/45) | 0.58 / 0.58 / 0.56 |
| Beam Angle | 35.1° |

| COLOR METRIC SUMMARY | |
|----------------------|------------------------|
| TM-30-15 | Rf = 82.5 Rg = 94.3 |
| CRI/CIE | Ra = 83.1 R9 = 11.4 |

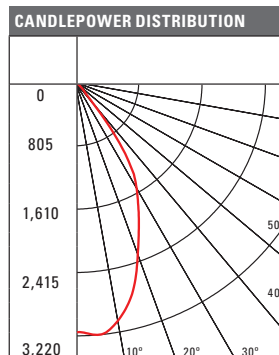
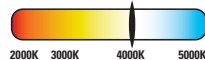


| CONE OF LIGHT | | | |
|---------------------------------|--------|------|------|
| Horizontal Illuminance on Floor | | | |
| MH | FC | L | W |
| 2' | 1595.8 | 1 | 1 |
| 4' | 398.9 | 2.2 | 2.2 |
| 6' | 177.3 | 3.4 | 3.4 |
| 8' | 99.7 | 4.6 | 4.6 |
| 10' | 63.8 | 5.8 | 5.8 |
| 15' | 28.4 | 8.6 | 8.6 |
| 20' | 16 | 11.6 | 11.6 |
| 30' | 7.1 | 17.4 | 17.4 |
| 40' | 4 | 23.2 | 23.2 |

| CANDELA TABLE | |
|---------------|-------|
| Angle | 0-deg |
| 0 | 6383 |
| 5 | 6141 |
| 10 | 5345 |
| 15 | 4027 |
| 20 | 2423 |
| 30 | 1153 |
| 40 | 178 |
| 50 | 6 |
| 60 | 4 |
| 70 | 1 |
| 80 | 0 |
| 90 | 0 |

| | |
|--------------|------------------------------------|
| Test Number | P29499 |
| Lumcat | 9004-[W1]-X-FL-LED4080-W-BK-L3-UNV |
| Lumens | 2790 Lm |
| Watts | 28.5 W |
| LPW | 97.9 Lm/W |
| CCT | 4000K |
| SC (0/90/45) | 0.86 / 0.86 / 0.91 |
| Beam Angle | 58.5° |

| COLOR METRIC SUMMARY | |
|----------------------|------------------------|
| TM-30-15 | Rf = 82.5 Rg = 94.3 |
| CRI/CIE | Ra = 83.1 R9 = 11.4 |



| CONE OF LIGHT | | | |
|---------------------------------|-------|------|------|
| Horizontal Illuminance on Floor | | | |
| MH | FC | L | W |
| 2' | 796.9 | 1.6 | 1.6 |
| 4' | 199.2 | 3.4 | 3.4 |
| 6' | 88.5 | 5 | 5 |
| 8' | 49.8 | 6.8 | 6.8 |
| 10' | 31.9 | 8.4 | 8.4 |
| 15' | 14.2 | 12.8 | 12.8 |
| 20' | 8 | 17 | 17 |
| 30' | 3.5 | 25.6 | 25.6 |
| 40' | 2 | 34.2 | 34.2 |

| CANDELA TABLE | |
|---------------|-------|
| Angle | 0-deg |
| 0 | 3173 |
| 5 | 3220 |
| 10 | 3082 |
| 15 | 2784 |
| 20 | 2321 |
| 30 | 1560 |
| 40 | 366 |
| 50 | 95 |
| 60 | 25 |
| 70 | 3 |
| 80 | 0 |
| 90 | 0 |

| CCT/CRI | LED2790 | LED3090 | LED3590 | LED4080 | LED5080 | LED2797 | LED3097 | LED3597 | LED4097 |
|---------------|---------|---------|---------|---------|---------|---------|---------|---------|---------|
| FC Multiplier | 0.754 | 0.798 | 0.808 | 1.000 | 1.039 | 0.699 | 0.706 | 0.801 | 0.793 |

| Light Level | L1 | L2 | L3 |
|---------------|-------|-------|-------|
| FC Multiplier | 0.418 | 0.772 | 1.000 |

Note: Photometric tables show lumen output for W1 only. For W2 (Up and Down) option, uplight and downlight both match lumen output as W1.

Submitting Agency:



lighting > electrical > energy
technology > signs
214-351-6266

Description: 9004-W2-RW-LED3090-W-BK-L1-UNV
Project: JPMC WHITNEY
Notes:

Type:

W1

LAN TERRA 9004

LUMEN TABLE

| | | 9004-[W1] Regressed Hood - Black | | | | | | | | |
|------------------------|---------|-------------------------------------|--------|-------|-----------|--------|-------|----------|--------|------|
| | | L1 - 10 W | | | L2 - 20 W | | | L3 - 30W | | |
| | | CBCP | Lumens | LPW | CBCP | Lumens | LPW | CBCP | Lumens | LPW |
| Spot 15° | LED2790 | 5584 | 783 | 79.5 | 10310 | 1445 | 71.9 | 13357 | 1872 | 65.7 |
| | LED3090 | 5907 | 828 | 84.1 | 10906 | 1529 | 76.1 | 14130 | 1981 | 69.5 |
| | LED3590 | 5983 | 839 | 85.1 | 11047 | 1549 | 77.0 | 14311 | 2006 | 70.4 |
| | LED4080 | 7401 | 1038 | 105.3 | 13666 | 1916 | 95.3 | 17705 | 2482 | 87.1 |
| | LED5080 | 7689 | 1078 | 109.4 | 14197 | 1990 | 99.0 | 18393 | 2578 | 90.5 |
| | LED2797 | 5175 | 726 | 73.7 | 9556 | 1340 | 66.6 | 12380 | 1736 | 60.9 |
| | LED3097 | 5224 | 732 | 74.4 | 9646 | 1352 | 67.3 | 12497 | 1752 | 61.5 |
| | LED3597 | 5926 | 831 | 84.3 | 10941 | 1534 | 76.3 | 14175 | 1987 | 69.7 |
| | LED4097 | 5869 | 823 | 83.5 | 10836 | 1519 | 75.6 | 14038 | 1968 | 69.1 |
| | LED2790 | 2907 | 781 | 79.2 | 5368 | 1441 | 71.7 | 6954 | 1867 | 65.5 |
| Medium Flood 25° | LED3090 | 3075 | 826 | 83.8 | 5678 | 1525 | 75.8 | 7357 | 1975 | 69.3 |
| | LED3590 | 3115 | 836 | 84.9 | 5751 | 1544 | 76.8 | 7451 | 2001 | 70.2 |
| | LED4080 | 3853 | 1035 | 105.0 | 7115 | 1910 | 95.0 | 9218 | 2475 | 86.8 |
| | LED5080 | 4003 | 1075 | 109.1 | 7391 | 1984 | 98.7 | 9576 | 2571 | 90.2 |
| | LED2797 | 2695 | 723 | 73.4 | 4975 | 1336 | 66.5 | 6446 | 1731 | 60.7 |
| | LED3097 | 2720 | 730 | 74.1 | 5022 | 1348 | 67.1 | 6505 | 1747 | 61.3 |
| | LED3597 | 3085 | 828 | 84.1 | 5696 | 1529 | 76.1 | 7380 | 1981 | 69.5 |
| | LED4097 | 3055 | 820 | 83.3 | 5642 | 1515 | 75.4 | 7309 | 1962 | 68.9 |
| | LED2790 | 2006 | 792 | 80.4 | 3704 | 1463 | 72.8 | 4799 | 1895 | 66.3 |
| | LED3090 | 2122 | 838 | 85.1 | 3918 | 1547 | 77.0 | 5076 | 2004 | 70.1 |
| Flood 36° | LED3590 | 2149 | 849 | 86.2 | 3969 | 1567 | 78.0 | 5142 | 2030 | 71.0 |
| | LED4080 | 2659 | 1050 | 106.6 | 4910 | 1939 | 96.4 | 6361 | 2512 | 87.8 |
| | LED5080 | 2762 | 1091 | 110.7 | 5101 | 2014 | 100.2 | 6608 | 2609 | 91.2 |
| | LED2797 | 1859 | 734 | 74.5 | 3233 | 1356 | 67.4 | 4448 | 1756 | 61.4 |
| | LED3097 | 1877 | 741 | 75.2 | 3466 | 1368 | 68.1 | 4490 | 1773 | 62.0 |
| | LED3597 | 2129 | 841 | 85.3 | 3931 | 1552 | 77.2 | 5093 | 2011 | 70.3 |
| | LED4097 | 2108 | 832 | 84.5 | 3893 | 1537 | 76.5 | 5044 | 1991 | 69.6 |
| | LED2790 | 1012 | 753 | 76.4 | 1869 | 1390 | 69.2 | 2422 | 1801 | 63.0 |
| | LED3090 | 1071 | 796 | 80.8 | 1977 | 1470 | 73.2 | 2562 | 1905 | 66.6 |
| | LED3590 | 1085 | 807 | 81.9 | 2003 | 1489 | 74.1 | 2595 | 1929 | 67.5 |
| Wide Flood 60° | LED4080 | 1342 | 998 | 101.3 | 2478 | 1842 | 91.7 | 3210 | 2387 | 83.5 |
| | LED5080 | 1394 | 1037 | 105.2 | 2574 | 1914 | 95.2 | 3335 | 2480 | 86.7 |
| | LED2797 | 938 | 698 | 70.8 | 1733 | 1288 | 64.1 | 2245 | 1669 | 58.4 |
| | LED3097 | 947 | 704 | 71.5 | 1749 | 1300 | 64.7 | 2266 | 1685 | 58.9 |
| | LED3597 | 1074 | 799 | 81.1 | 1984 | 1475 | 73.4 | 2570 | 1911 | 66.8 |
| | LED4097 | 1064 | 791 | 80.3 | 1965 | 1461 | 72.7 | 2545 | 1893 | 66.2 |

TM30 DATA

| 9004 | CCT/CRI | Rf | Rg | Ra | R9 |
|------|---------|------|-------|------|------|
| | 2790 | 90.9 | 98.9 | 91.7 | 58.3 |
| | 3090 | 90.8 | 99.1 | 92.5 | 62.6 |
| | 3590 | 90.6 | 100.4 | 92.7 | 67.5 |
| | 4080 | 82.5 | 94.3 | 83.1 | 11.4 |
| | 5080 | 81.6 | 94.1 | 82 | 6 |
| | 2797 | 94.9 | 100 | 98.1 | 86.9 |
| | 3097 | 94 | 100.3 | 97.8 | 88.9 |
| | 3597 | 92.9 | 99.3 | 97.2 | 89.1 |
| | 4097 | 91.5 | 98.7 | 95.4 | 84 |

LUMEN MAINTENANCE

| Ambient Temperature | TM-21 Lumen Maintenance (60,000 Hours) | Theoretical L70 (Hours) |
|---------------------|--|-------------------------|
| 25°C, 40°C, 50°C | > 87% | > 102,000 |

POWER TABLE

| Number of Heads | Light Level | Input Current (A) at 120 VAC | Input Current (A) at 277 VAC | Input Power (W) |
|-----------------|-------------|------------------------------|------------------------------|-----------------|
| W1 | L1 | 0.08 | 0.03 | 10 |
| | L2 | 0.177 | 0.088 | 20.93 |
| | L3 | 0.252 | 0.118 | 30.02 |
| | LC1 | 0.1 | 0.085 | 11.4 |
| | LC2 | 0.183 | 0.088 | 21.44 |
| W2 | L1 | 0.16 | 0.06 | 20 |
| | L2 | 0.354 | 0.176 | 41.86 |
| | L3 | 0.504 | 0.236 | 60.04 |
| | LC1 | 0.2 | 0.17 | 22.8 |
| | LC2 | 0.366 | 0.176 | 42.88 |

INTEGRATED SENSOR - SVPD2

The Lanterra Cylinder 9004 with Integrated Sensor technology provides automatic energy savings without sacrificing performance. Traditionally, these types of energy savings required coordination between the luminaire and a lighting control system. The Lanterra Cylinder 9004 delivers superior lighting with integrated PIR occupancy sensing and daylighting controls.

Capture the benefits of traditional lighting controls, without complicated circuit planning or special wiring. The Lanterra Cylinder 9004 delivers automatic ON to an energy saving light level, while ensuring lighting is turned OFF when the space is unoccupied.

The SVPD2 sensor is configured for outdoor use, so the integral daylight sensor will enable the luminaire to automatically adjust to daylight conditions by turning off when sufficient sunlight is present. Consult factory for indoor configuration.

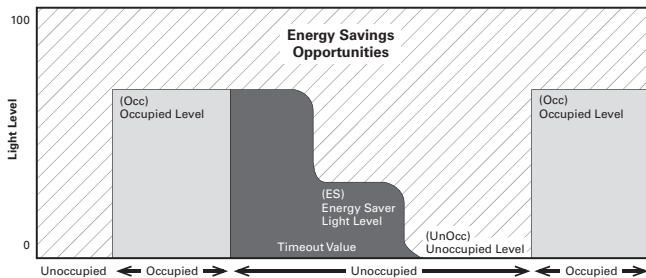
Occupied light levels and unoccupied light levels can be adjusted using the integrated sensor programming remote (Catalog Number: ISHH01LUM). While the default unoccupied level is OFF, a lower light level can be saved instead using the programming remote. The integrated sensor personal remote (Catalog Number: ISHH02LUM) provides code compliant manual raise, lower, ON, OFF control.

The Lanterra Cylinder 9004 with Integrated Sensor is easy to install with no special wiring and ensures energy savings out-of-the-box with default control settings.



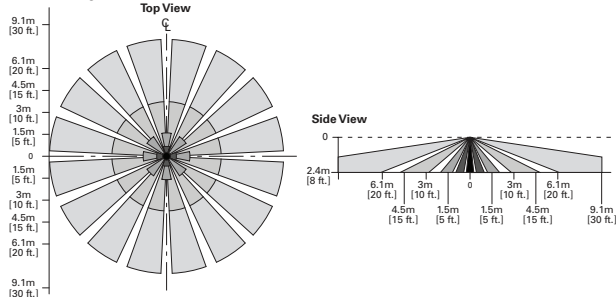
HOW IT WORKS

- As the user enters the space controlled by the integral sensor, the lighting turns ON to the occupied light level.
- Lighting will remain at the occupied level until the space is unoccupied. This will start the occupancy timeout period (default 20 minutes).
- If the space remains unoccupied for half of the timeout period, the lighting will automatically reduce to the Energy Saver light level (default matches occupied level). This adjustable light level is often set to half of the occupied daylight level using the programming remote.
- At the end of the timeout period the lighting will go to the unoccupied light level. This adjustable light level uses the OFF default setting.
- If sufficient sunlight is present, the luminaire will remain OFF, regardless of occupancy.

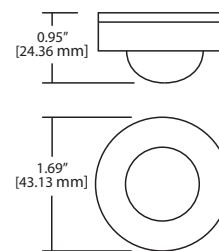


Coverage

SVPD2 Coverage Pattern (not to scale)



Sensor Dimensions



Optional Remote Controls



ISHH01LUM Programming Remote



ISHH02LUM Personal Control Remote