



PARTHENON GYROS - LIGHTING



NIGHT VIEW



KEY NOTES:

A - Blue LED faux neon
B - MOUNTINGS SHALL BE UNDER LEDGES OR RELIEF TO LIMIT UPLIGHTING

- LIGHT STRIP LENGTHS NEED TO STAY BELOW 71 FEET SO AS TO NOT TRIGGER CUTOFF REQUIREMENTS.

- LIGHT STRIP LOCATIONS NEED TO BE MOUNTED SO AS TO BE INTEGRATED WITH ARCHITECTURAL FEATURES VS. ON TOP OF THE BUILDING FACE, I.E. WITHIN CHANNELS OR GROOVES, UNDER LEDGES, RAILINGS, ETC.

- LIGHT TRAND AROUND SPICKET NEEDS TO BE MOUNTED TO OUTSIDE FACE OF DETAIL

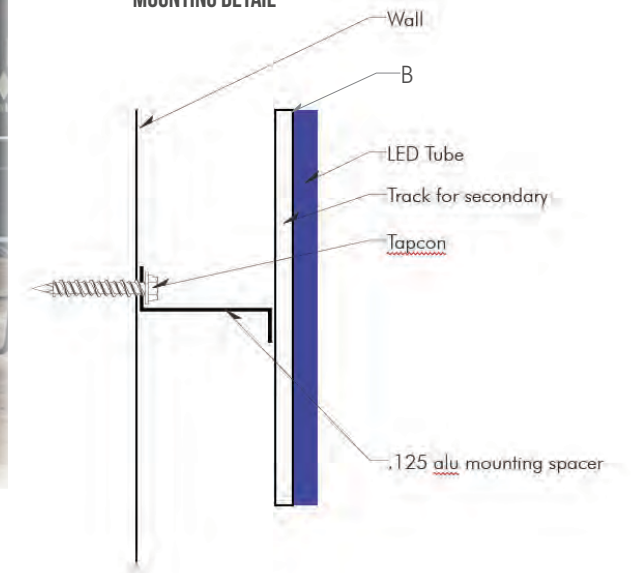
FINISHES:

Blue LED Faux Neon

CALCULATIONS:

LENGTH TOTAL 65' 10"

MOUNTING DETAIL



makesignsnotwar.com
325 W Front St, Mount Horeb, WI 53572

CUSTOMER APPROVAL: _____

DATE: _____

LANDLORD APPROVAL: _____

DATE: _____

S H E E T

By signing this approval you are hereby authorizing Sign Art Studio LLC to proceed with the work as described. Any deviation from these specifications will become the customer's financial responsibility.

© The above artwork and or conceptual design, less customer provided artwork or plans, is property of Sign Art Studio and may not be reproduced without written consent .

WLI

PARTHENON GYROS - LIGHTING