

VARIANCE FEES

~~MGO \$50.00~~
COMM \$490.00
Priority - Double above

PETITION FOR VARIANCE APPLICATION

City of Madison
Building Inspection
Division
215 Martin Luther King Jr. Blvd.
Madison, WI 53703
(608) 266-4568

Amount Paid
490.00

Name of Owner Sean Baxter	Project Description Installing new gas fire bowl at outdoor seating area.	Agent, architect, or engineering firm Destree Design Architects
Company (if applies) Arbor Gate Hospitality, LLC		No. & Street 222 West Washington Ave #310
No. & Street 3001 West Beltline HWY #202	Tenant name (if any) Bonfyre Restaurant	City, State, Zip Code Madison, WI 53703
City, State, Zip Code Madison, WI 53713	Building Address 2601 West Beltline HWY #108	Phone 608.268.1499
Phone	Madison, WI 53713	Name of Contact Person Melissa Destree
e-mail kayserexec@yahoo.com		e-mail melissa@destreearchitects.com

1. The rule being petitioned reads as follows: (Cite the specific rule number and language. Also, indicate the nonconforming conditions for your project.)
Section 307.3, exception 1 of The International Fire Code allows open burning in an approved container that are not less than 15 feet from a structure. The proposed location of the gas fire bowl is 7'-1" away from the steel trellis and 12'-0" from the closest point of the building.

2. The rule being petitioned cannot be entirely satisfied because:
Due to the limited amount of space available for the outdoor seating area, the fire bowl has been located as far from the building as possible while still keeping it protected and separated from the parking lot.



3. The following alternatives and supporting information are proposed as a means of providing an equivalent degree of health, safety, and welfare as addressed by the rule:
The fire bowl selected for the outdoor area is a commercially rated natural gas fed unit. A control switch will be added to the unit and located inside the building directly adjacent to the outdoor area at the server station.

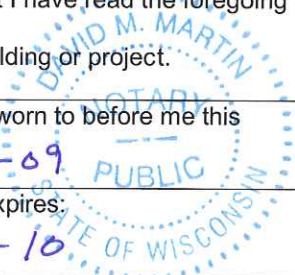
Note: Please attach any pictures, plans, or required position statements.

VERIFICATION BY OWNER – PETITION IS VALID ONLY IF NOTARIZED AND ACCOMPANIED BY A REVIEW FEE AND ANY REQUIRED POSITION STATEMENTS.

Note: Petitioner must be the owner of the building. Tenants, agents, contractors, attorneys, etc. may not sign the petition unless a Power of Attorney is submitted with the Petition for Variance Application.

Sean Baxter, being duly sworn, I state as petitioner that I have read the foregoing petition, that I believe it to be true, and I have significant ownership rights in the subject building or project.

Signature of owner 	Subscribed and sworn to before me this date: 7-29-09
Notary public 	My commission expires: 5-23-10



NOTE: ONLY VARIANCES FOR COMMERCIAL CODES ARE REQUIRED TO BE NOTARIZED.



AUTOMATED Fire Bowls Model 100

OWNER'S MANUAL / OPERATING AND MAINTENANCE INSTRUCTIONS

For your safety:

If you smell gas:

1. Shut off gas to the appliance
2. Extinguish any open flame near unit.
3. If odor continues, immediately call your gas supplier

For your safety:

Do not store or use any gasoline or other flammable vapors and / or liquids in the vicinity of this or any other appliance.



This manual should remain with the homeowner or parties responsible for operation.



Table of Contents

Gas and Electrical Requirements	Page 3
Installation	Page 3
Burner Setup and Adjustment	Page 7
Maintenance	Page 9
Operation	Page 10
Control Panel Wiring Diagram	Page 12
Burner Assembly Wiring Diagram	Page 13

1.0 Gas and Electrical requirements:

1.1	Input Voltage:	120 Vac / 60 Hz to Control Panel	
1.2	Output Voltage:	24 Vac	
1.3	Gas type:	<u>Natural Gas</u>	<u>Propane</u>
1.4	Gas Pressure:	Nominal: 7" wc	11"wc

1.4	Gas flow:	1 Bowl system:	60,000-80,000 btu/hr
		2 Bowl system:	120,000-160,000 btu/hr
		3 Bowl system:	180,000-240,000 btu/hr
		4 Bowl system:	240,000-320,000 btu/hr

Note: Check with your gas supplier to verify gas flows and pressures available at the location of your installation. In many cases utility companies will install larger meters at no charge to accommodate larger flows.

2.0 Installation

Warning: This unit is for outdoor use only

- 2.1 Do not install near any combustibles such as wood structures, fuels, clothing, fabrics or dry vegetation.
- 2.2 Install Bowls well out of the way of pedestrian traffic.
- 2.3 Installation is approved for deck mount.
- 2.4 Recommended Clearances from Combustibles: 4ft Sides/6ft Top
- 2.5 Installation shall be performed by a licensed contractor. All aspects of installation must conform to local or national codes, or in the absence of codes, with Natural Fuel Gas Code ANZI Z223.1.
The Control Panel shall be located where it can be easily accessible so that the gas can be shut off quickly in case of an emergency.
- 2.6 Install the Control Panel and gas piping as shown in Figure 1.
- 2.7 The gas piping shall be installed underground between the Control Panel and each Fire Bowl as shown in Figure 1. The piping shall be reduced to 1/2" NPT or larger near each bowl as shown in Figure 2.
- 2.8 Note that Propane piping is different than natural gas (shown in Figure 1-A).
- 2.9 Low voltage wiring (14 or 16 ga. 24Vac) shall be installed underground between the Control Panel and each Bowl.
- 2.10 Maintain good piping practice by keeping pipe length and elbows to a minimum to eliminate unnecessary pressure drops. Flex gas lines should not be used.

Note: The gas and electrical connection at each Bowl must be located at the center of each Bowl. The connections must be installed as shown in Figure 2.

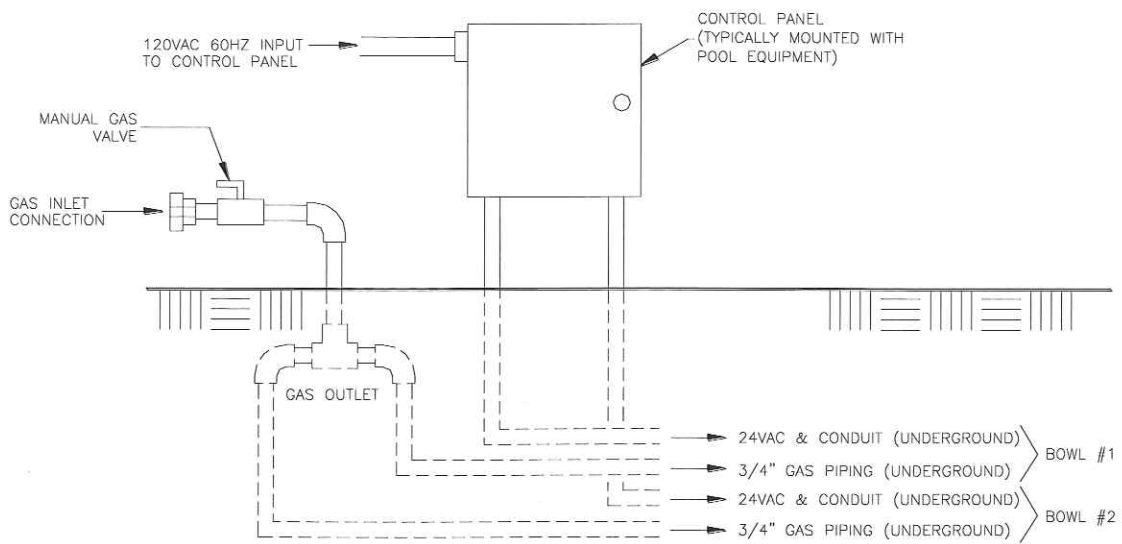


Figure 1 (natural gas)

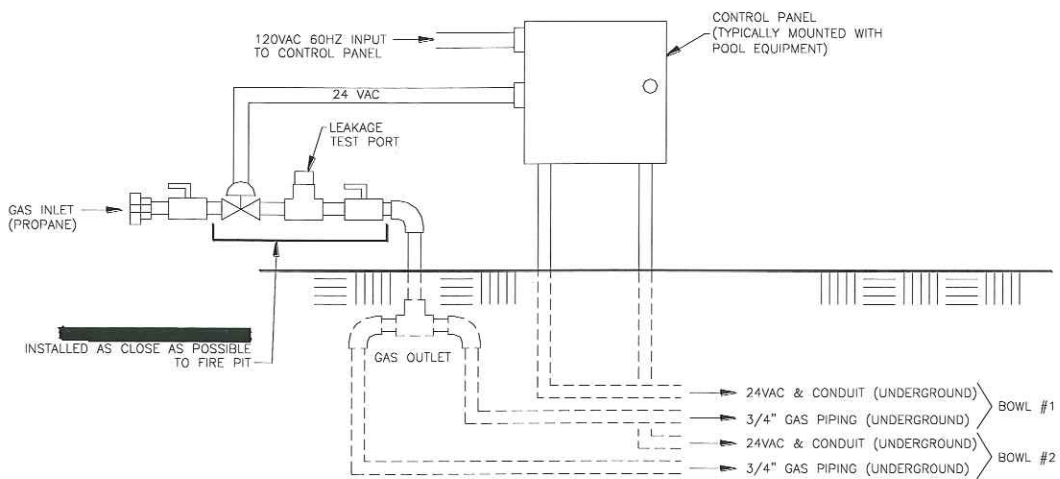


Figure 1-A (propane)

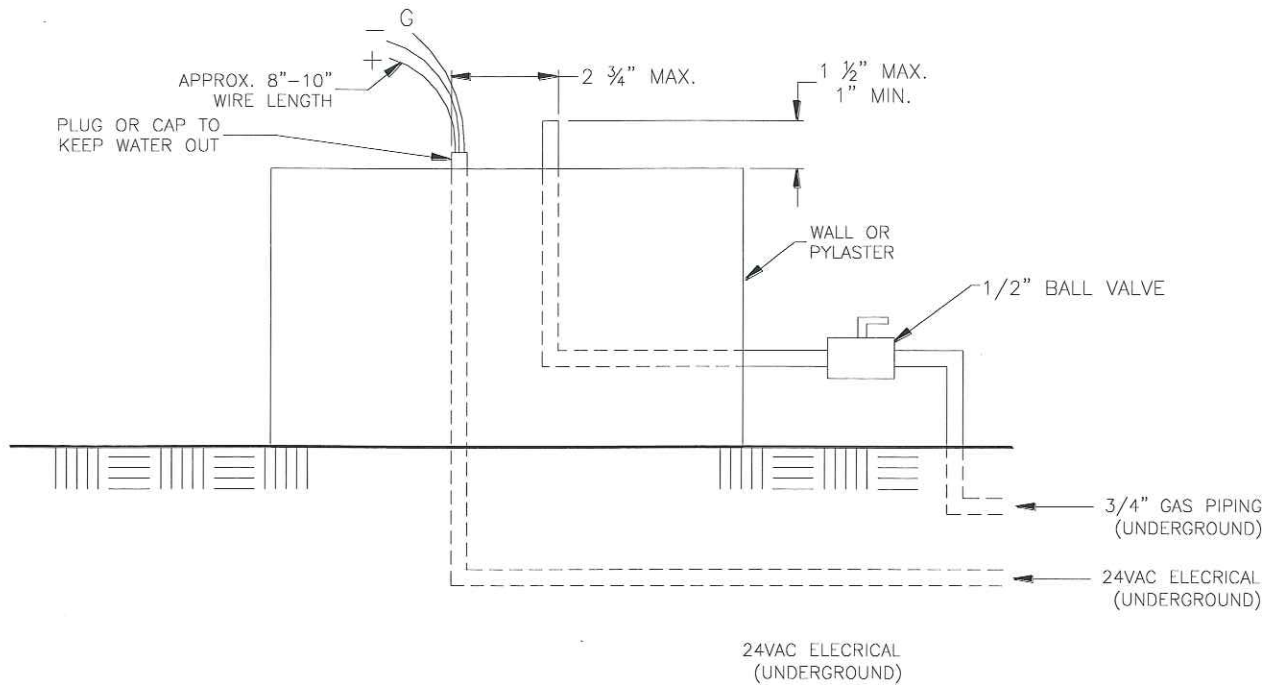


Figure 2

Important: The Mounting Bracket must be installed for proper cooling of Burner Assembly. Warranty is voided if bracket is not installed.

- 2.11 Install Mounting Bracket as shown in Figure 3. The Mounting Bracket should be secured to the wall using three bolts.
- 2.12 Center Bowl on top of Mounting Bracket. The Bowl should rest on top of the three spacers located on the Mounting Bracket.
- 2.13 Install 90° pipe elbow and gas hose at gas connection as shown in Figure 3.
- 2.14 Connect Gas Hose to Burner Assembly.
- 2.15 Install wire nuts on wires from Control Panel and Burner Assembly. Be careful to hook up the "positive" to the "positive" and the "negative" to the "negative". Wrap wire nuts with electrical tape or some means to prevent moisture from getting in.
- 2.16 With all gas connections tight, position Burner Assembly so that it sits level in the Bowl. Rotate as required so that the gas hose rests in a compact position.

**Note: Do not caulk or seal around the base of the Bowl.
(See Figure 8)**

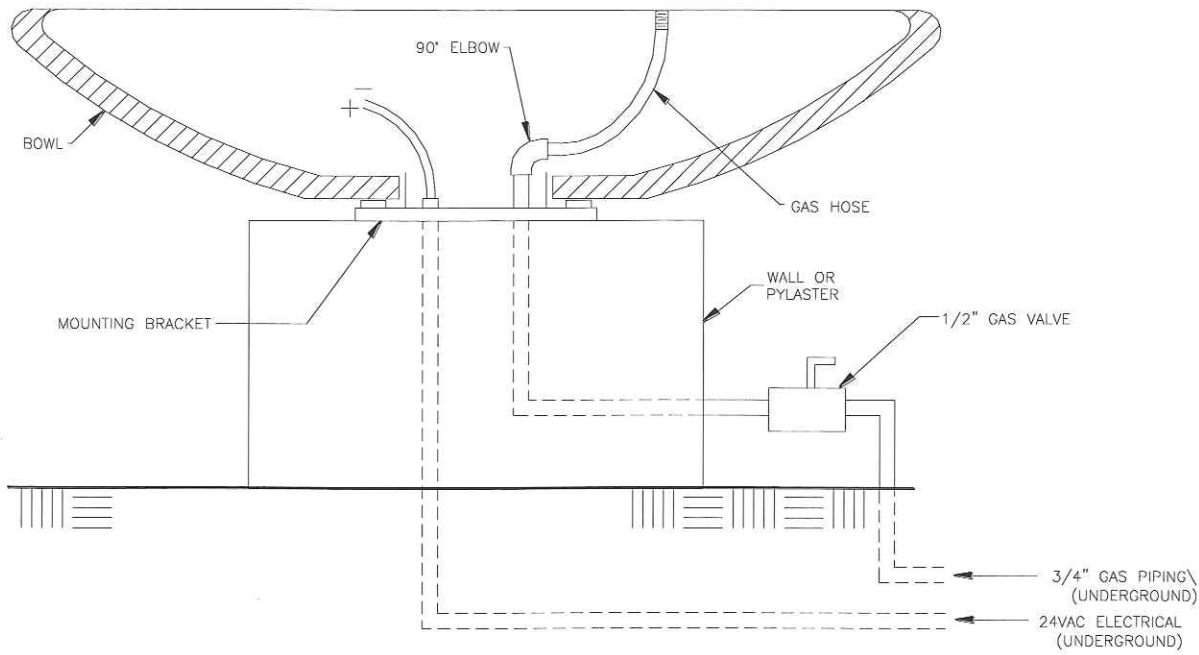
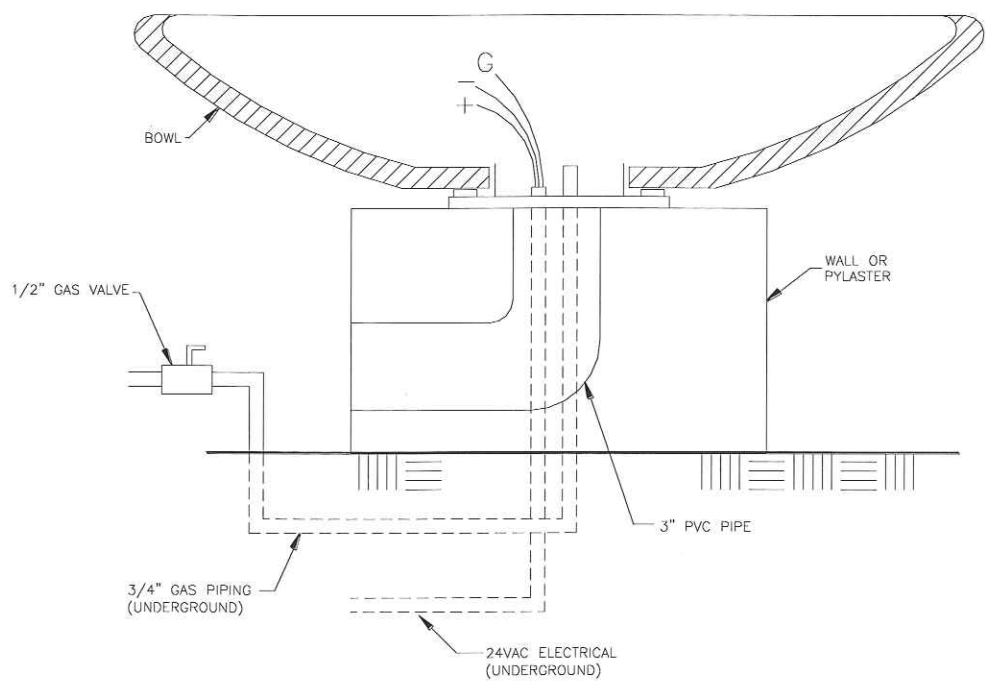


Figure 3



Optional Drain Orientation-Prevents Dirty Water From Draining Out on Wall

Figure 4

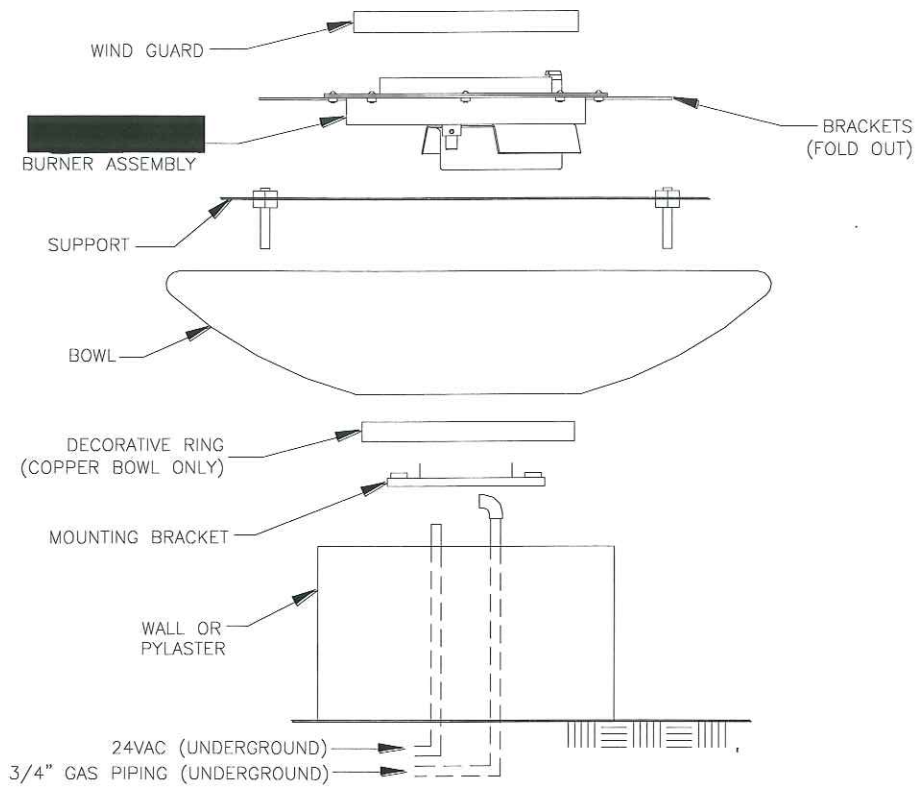


Figure 5

3.0 Burner Setup and Adjustment

3.1 Setup:

- 3.1.1 On the Burner Assembly, check the spark electrode gap located on the pilot. It should be adjusted as shown in Figure 6. Make sure that the end of the electrode is oriented as shown in Figure 6.

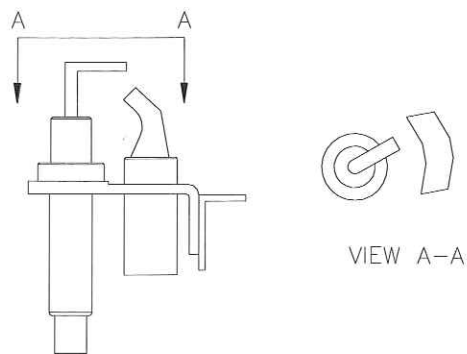


Figure 6

- 3.1.2 At the Control Panel, turn the manual gas valve to the "Off" position.
- 3.1.3 With 120Vac coming into the Control Panel, turn the burner switch "On".
- 3.1.4 At each Burner Assembly, check that the spark electrode is arcing across to the pilot hood. You should be able to hear and see the electrode spark. If there is no spark, make sure that the Burner Assembly has 24vac from the Control Panel. Make sure that the spark igniter gap and orientation is positioned as shown in Figure 6
- 3.1.5 Check that the Main Burner Valve is in the full open position. It is located on the bottom of the Burner Assembly as shown in Figure 7.
- 3.1.10 Reposition Burner Assembly so that it is sitting level in the Bowl.
- 3.1.6 At the Control Panel, open the Manual Gas Valve.
- 3.1.7 In the Control Panel, turn the Burner switch to the "On" position.

Note: At this time the corresponding Fire Bowl should ignite. If Burner does not light, it may be a result of air in the gas line. If this happens, purge the air from the gas line.

- 3.1.8 Turn the next Burner switch to the "On" position.
- 3.1.9 After all Bowls have been lit, they can now be adjusted for flame size.

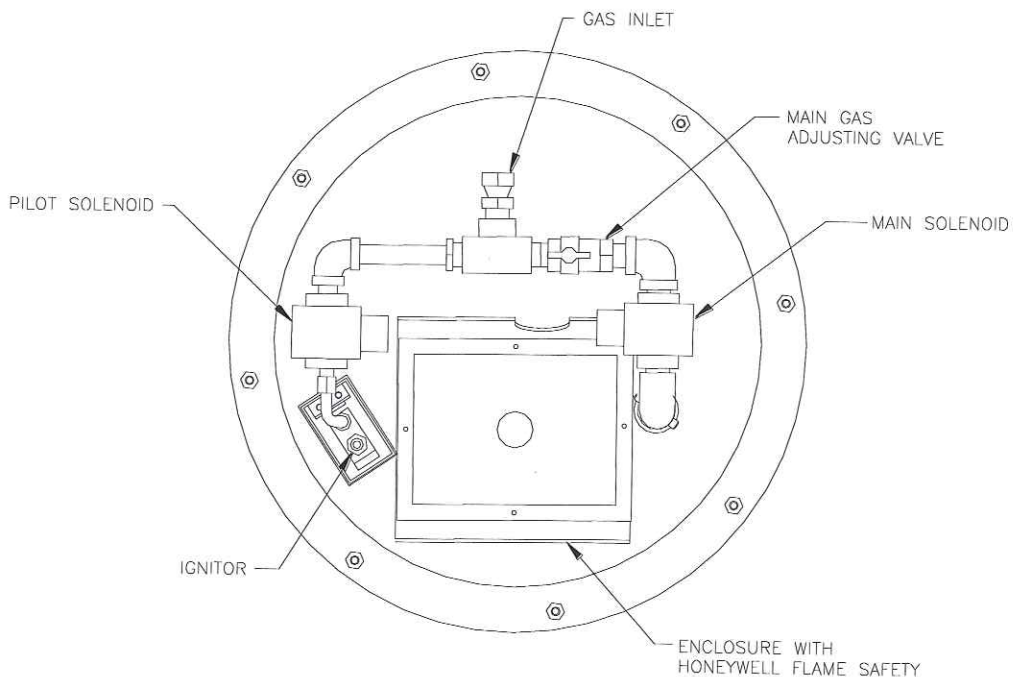


Figure 7
(View is from bottom side of assembly)

3.2 Burner Adjustment

Note: Each Burner should have a flame height of approximately 12" – 15" from the top of the Bowl.

- 3.2.1 The height of the flame can be adjusted at each Burner by opening or closing the $\frac{1}{2}$ " Gas Valve as shown in Figure 3.
- 3.2.2 Each Burner should be adjusted as required so that the flame size at each Bowl is similar in appearance to each other.
- 3.2.3 After all Burners have been adjusted, make sure that the Burner Assembly is repositioned so that it is sitting level in each Bowl.
- 3.2.4 Install decorative rock/glass on top of the "Burner Support" and Burner Assy. Make sure that the rock/glass is clear of the pilot area. The rock/glass should be positioned to allow for venting so that the hot air can get out from below the Burner Assembly.
- 3.2.5 Note: (If you use glass, you should lay a stainless steel wire mesh over the whole burner assembly. The wire screen should be sized to keep glass from falling through (approx. $\frac{1}{4}$ "). You should cover the the steel mesh with a thin layer of glass, keeping the area covering the pilot as this as possible. The wire mesh should be sized so that the openings are approximately $\frac{1}{4}$ ".

4.0 Maintenance

- 4.1 Periodically clean the Burner Assembly and Bowl with a wet cloth or cleaning solution to remove carbon build-up.
- 4.2 Frequency of the cleaning will depend on usage.
- 4.3 Frequently inspect the gap between the base of the Bowl and the Mounting Bracket. It should be kept free of dirt and debris that may restrict cooling air and drainage. (Fig 8)
- 4.4 Periodically inspect the underside of the Burner Assembly for any signs of excessive temperatures.
- 4.5 Check that all gas connections are tight.
- 4.6 The units should be cycled periodically (especially after a rain). The Burner Assembly will not work in snow and ice conditions. The Burner Assembly should be covered and protected from snow and ice. The Burner should not be operated in high wind conditions. High Winds can limit the cooling air required for cooling of the Burner Assembly.

Note: If any problems are present, consult a licensed heating Specialist.

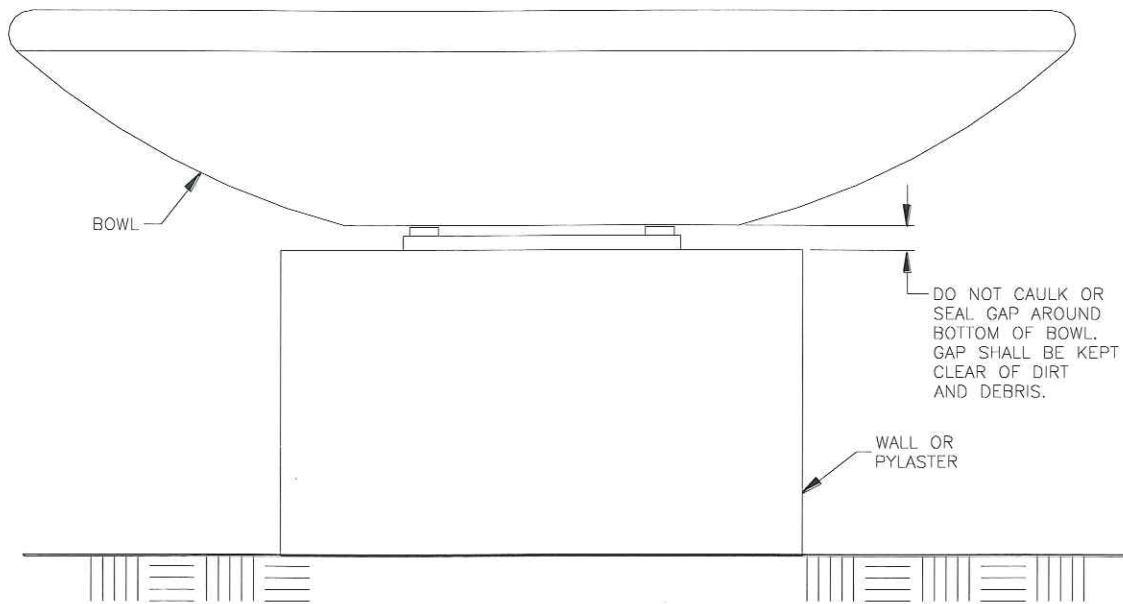


Figure 8

5.0 Operation

Warning: This unit is for outdoor use only

For your safety:

1. If you smell gas, shut off Gas Valve immediately.
2. Extinguish any open flame.
3. If odor continues, immediately call your gas supplier.
4. Do not store or use gasoline or other flammable vapors and / or liquids in the vicinity of this appliance.
5. Do not leave flame on while unsupervised.
6. Do not operate in windy or rainy conditions. If this is done, unit will cycle on and off automatically.
7. Unit should be operated only by a responsible adult.
8. When in use, an open flame is present, therefore, use with extreme care and at your own risk.
9. Before any inspection of the unit, always turn off power and gas supply at the Control Panel.
10. If you experience problems with this unit, call a licensed heating professional. All work on this unit shall be performed by a licensed heating professional.

Caution! Before activating automated system, make sure that fixtures are clear of people, animals or any objects that are combustible.

Operating Instructions:

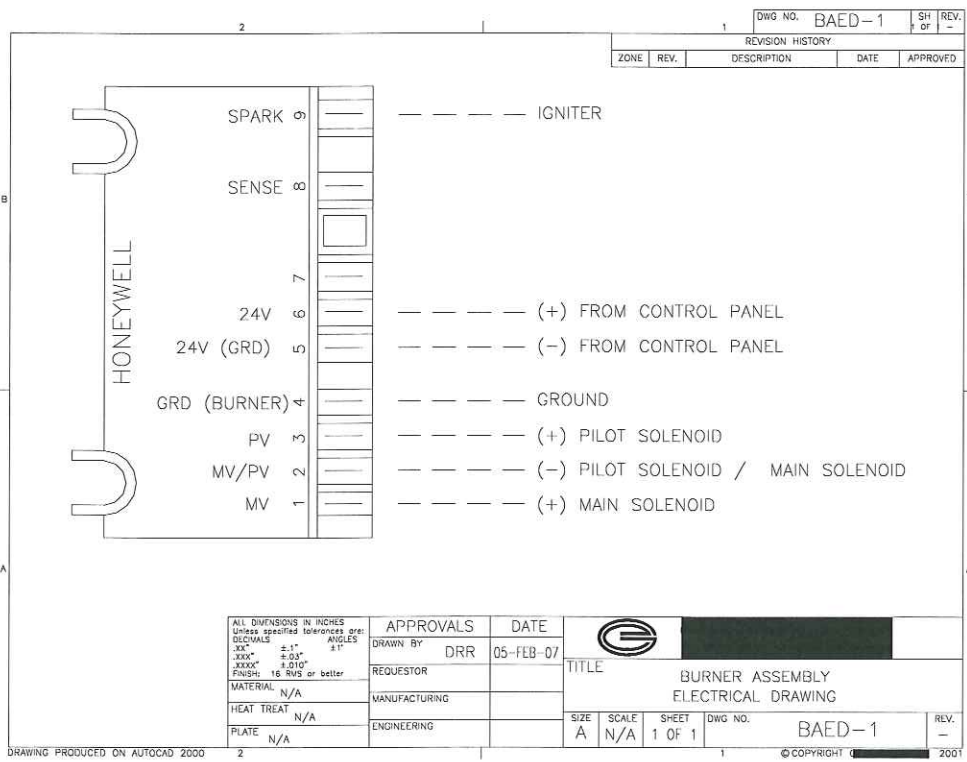
To turn unit "On":

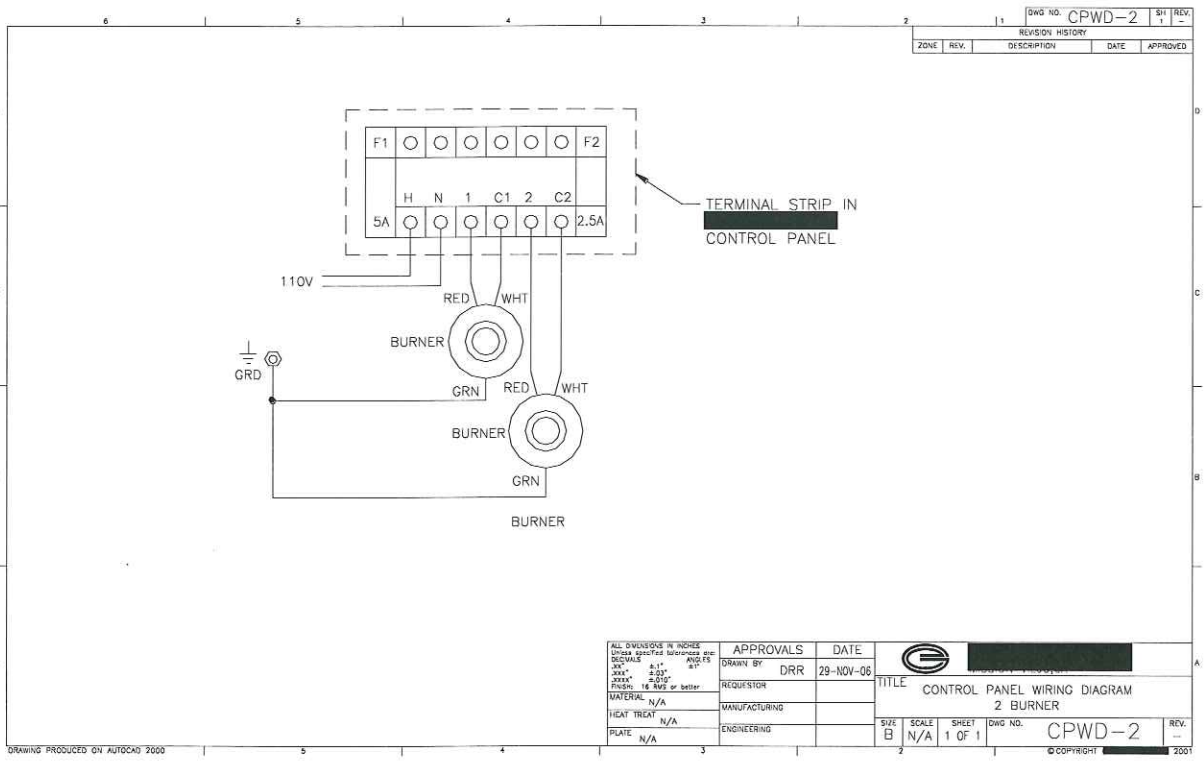
1. Open manual gas valve.
2. Turn Burner Switch(es) "On".

To turn unit "Off":


1. Turn Burner Switch(es) "Off".
2. Close manual gas valve.

Note: If Burner fails to light, turn corresponding Burner Switch in the Control Panel to the "Off" position then to the "On" position. This will initiate a new trial for ignition.





Dwg No. CPWD-2		SH	REV.
REVISION HISTORY			
ZONE	REV.	DESCRIPTION	DATE
			APPROVED

<small>ALL DIMENSIONS IN INCHES UNLESS SPECIFIED OTHERWISE</small> <small>SECTIONAL</small> <small>ANGLES</small> <small>UNLESS OTHERWISE SPECIFIED</small> <small>FINISHES</small> <small>USE SHIP OR BETTER</small>	APPROVALS	DATE	
	DRAWN BY	29-NOV-06	
	REQUESTOR		
	MANUFACTURING		
HEAT TREAT	N/A	ENGINEERING	
PLATE	N/A		
TITLE		CONTROL PANEL WIRING DIAGRAM	
		2 BURNER	
SIZE	SCALE	SHEET	DWG NO.
B	N/A	1 OF 1	CPWD-2
			REV.

DRAWING PRODUCED ON AUTOCAD 2000

© COPYRIGHT 2001

Automated Burner 1 year limited warranty

Manufacturer will replace, at its expense, any unit, which in normal use, has proven to be defective in workmanship or material, provided that the customer returns the product prepaid with proof of product within one year and provides reasonable opportunity to verify the alleged defect by inspection. Manufacturer will not be responsible for any asserted defect, which has resulted from misuse, abuse, repair or alteration. Under no circumstances will manufacturer be liable for incidental or consequential damage resulting from defective products. This sole warranty sets forth the customer's exclusive remedy, with respect to defective products, all other warranties, expressed or implied, whether of merchantability, fitness for purpose or otherwise, are expressly disclaimed by manufacturer. Manufacturer is not responsible for any injury or mishap related to misuse, abuse or lack of judgment choosing fire display locations.



Contact us at:

Flame Creation, LLC

Office: (770) 335-2405

E-mail: info@flamecreation.com



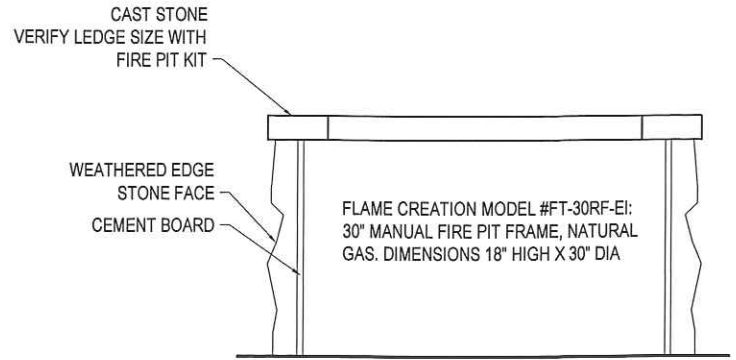
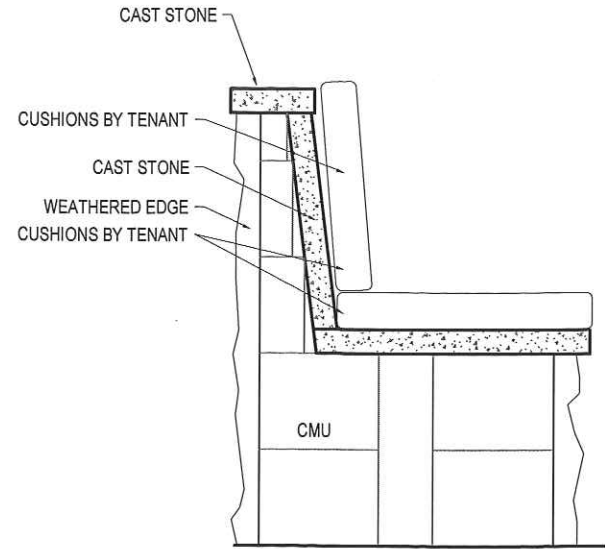
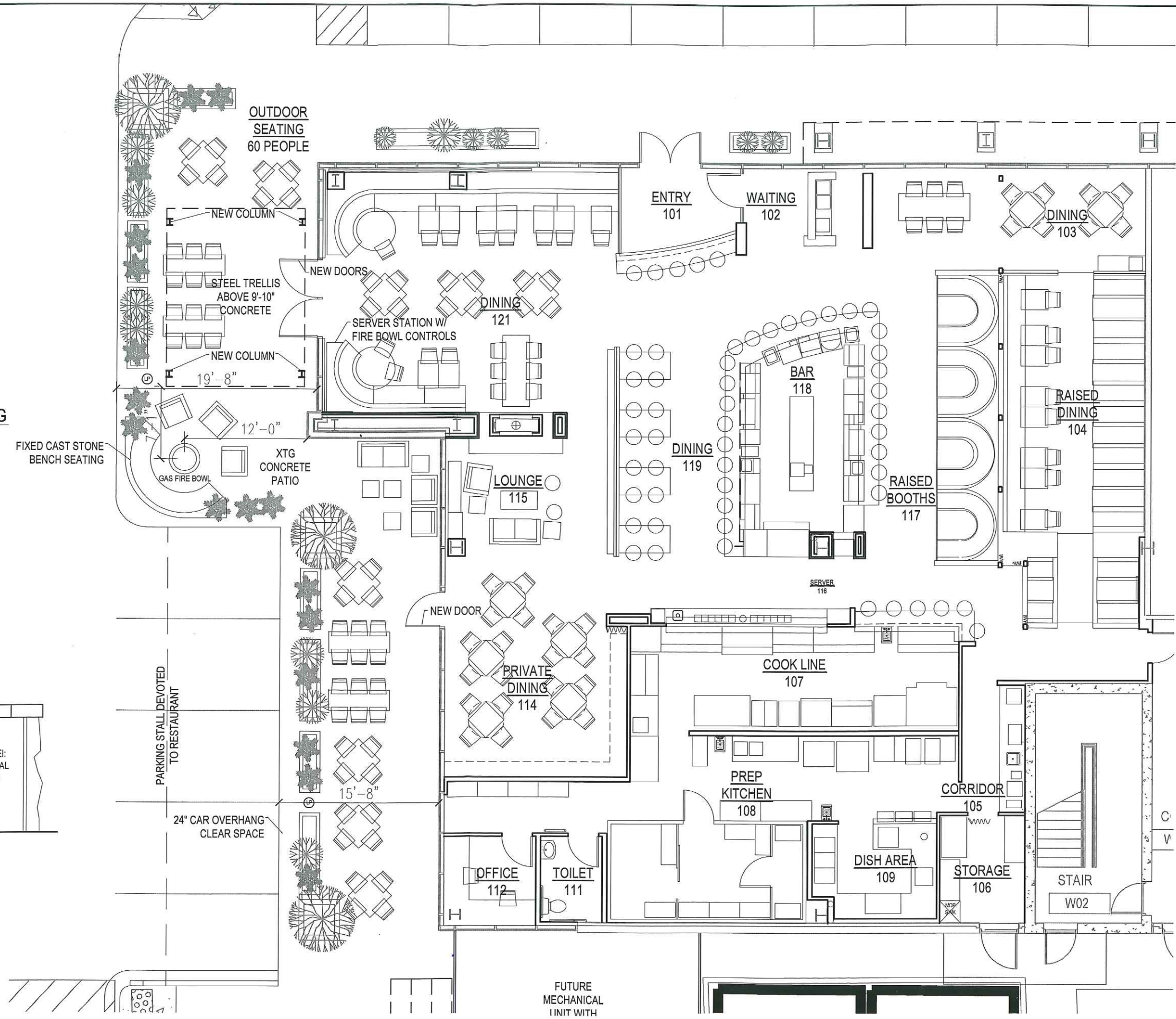
222 West Washington Ave. Suite 310 Madison, WI 53703
ph: 608.268.1499 fax: 608.268.1498
www.destreearchitects.com
DESTREE DESIGN ARCHITECTS HOLDS ALL RIGHTS INCLUDING THE COPYRIGHT OF THIS DOCUMENT, AS WELL AS THE CONCEPTS AND DESIGNS INCORPORATED HEREIN AS AN INSTRUMENT OF SERVICE. AS PROPERTY OF DESTREE DESIGN ARCHITECTS IT IS NOT TO BE COPIED, DISTRIBUTED, OR USED IN WHOLE OR PART WITHOUT THE EXPRESS WRITTEN CONSENT OF DESTREE DESIGN ARCHITECTS.

BONFYRE RESTAURANT
VARIANCE REQUEST
2601 WEST BELTLINE HWY #108
MADISON, WI

PROJECT:	
NUMBER:	081114.00
DATE:	07.29.09
REV:	

SHEET:

C100



3 SECTION THRU BENCH SEATING
1" = 1'-0"

2 SECTION THRU FIRE BOWL
1" = 1'-0"

1 PARTIAL SITE PLAN & FLOOR PLAN
1" = 10'-0"

PARKING STALL DEVOTED TO RESTAURANT

24" CAR OVERHANG CLEAR SPACE

FUTURE MECHANICAL UNIT WITH



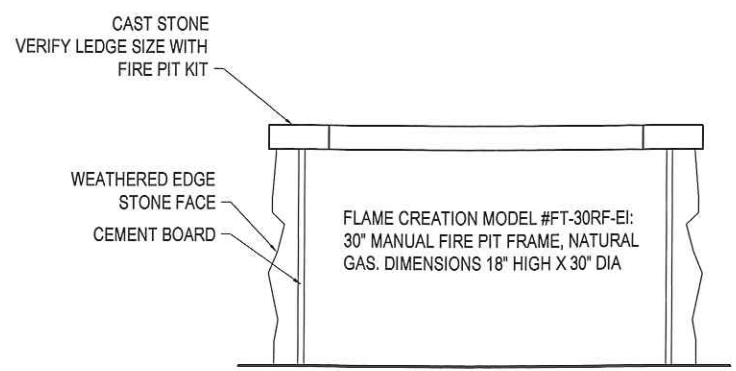
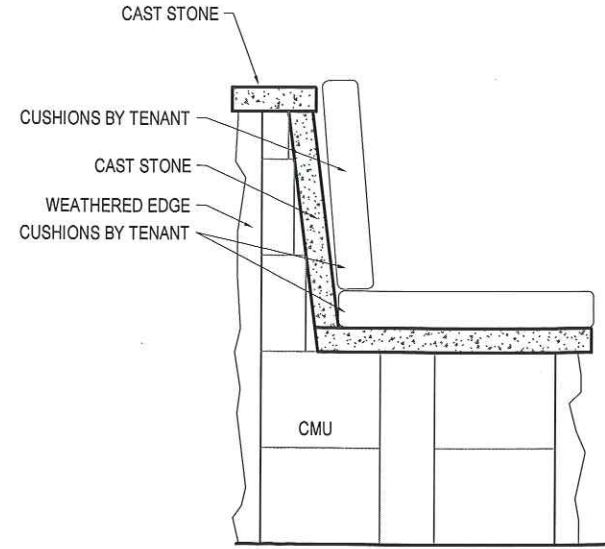
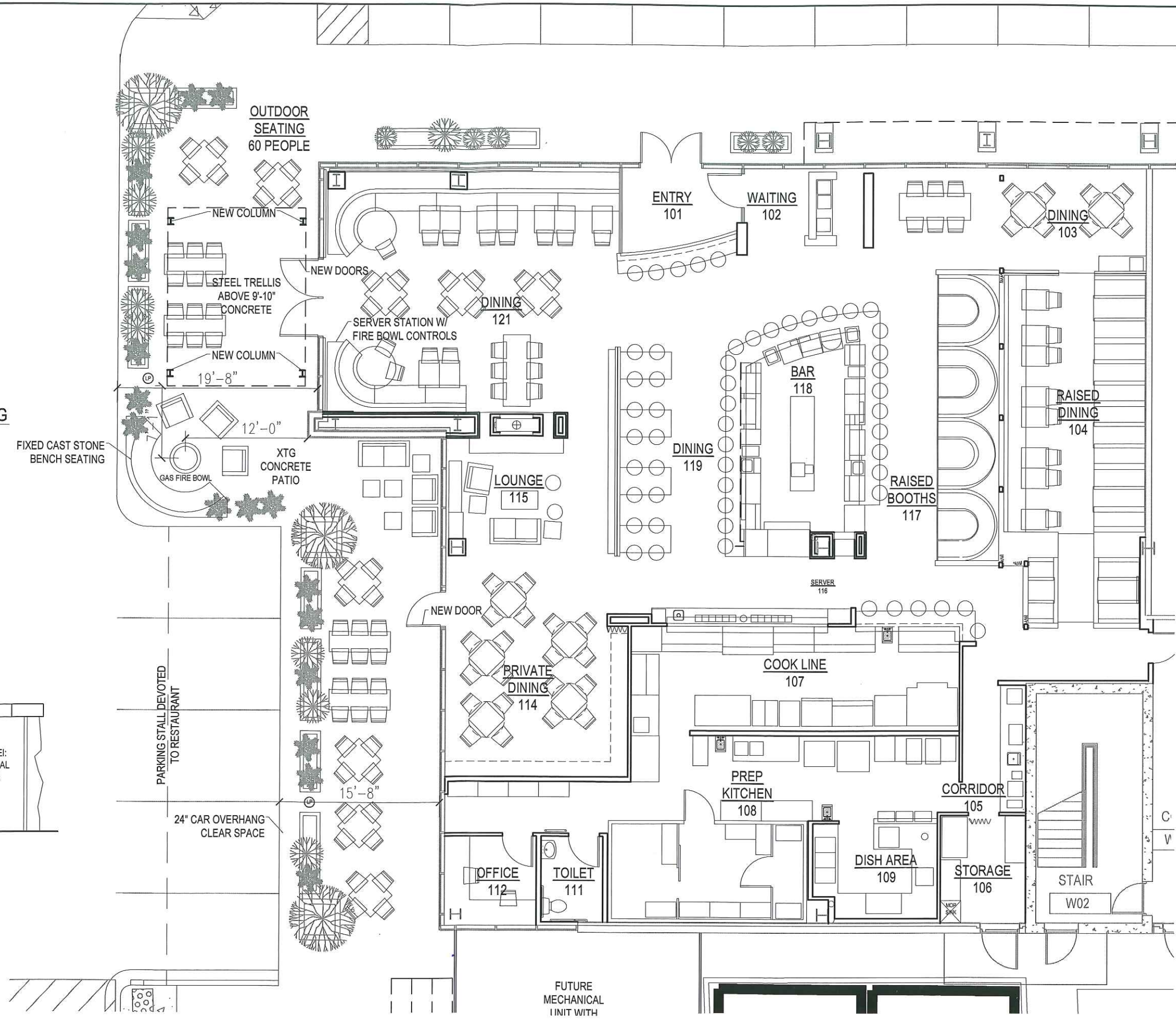
222 West Washington Ave. Suite 310 Madison, WI 53703
ph: 608.268.1499 fax: 608.268.1498
www.destreearchitects.com
DESTREE DESIGN ARCHITECTS HOLDS ALL RIGHTS INCLUDING THE COPYRIGHT OF THIS DOCUMENT, AS WELL AS THE CONCEPTS AND DESIGNS INCORPORATED HEREIN AS AN INSTRUMENT OF SERVICE. AS PROPERTY OF DESTREE DESIGN ARCHITECTS IT IS NOT TO BE COPIED, DISTRIBUTED, OR USED IN WHOLE OR PART WITHOUT THE EXPRESS WRITTEN CONSENT OF DESTREE DESIGN ARCHITECTS.

BONFYRE RESTAURANT
VARIANCE REQUEST
2601 WEST BELTLINE HWY #108
MADISON, WI

PROJECT:	
NUMBER:	081114.00
DATE:	07.29.09
REV:	

SHEET:

C100



1 PARTIAL SITE PLAN & FLOOR PLAN
1" = 10'-0"

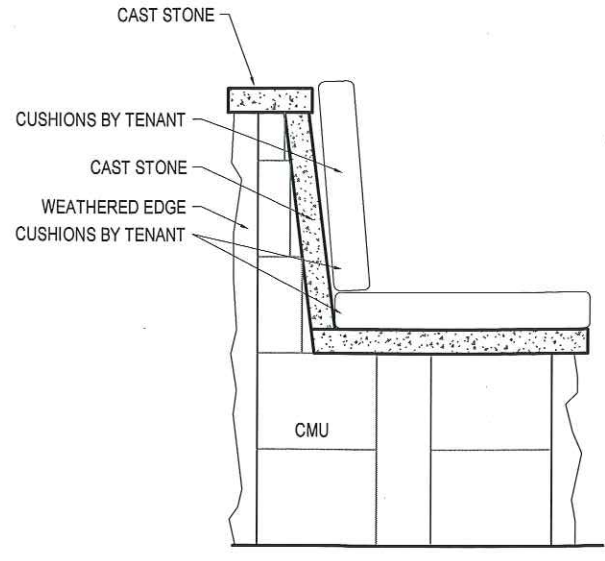
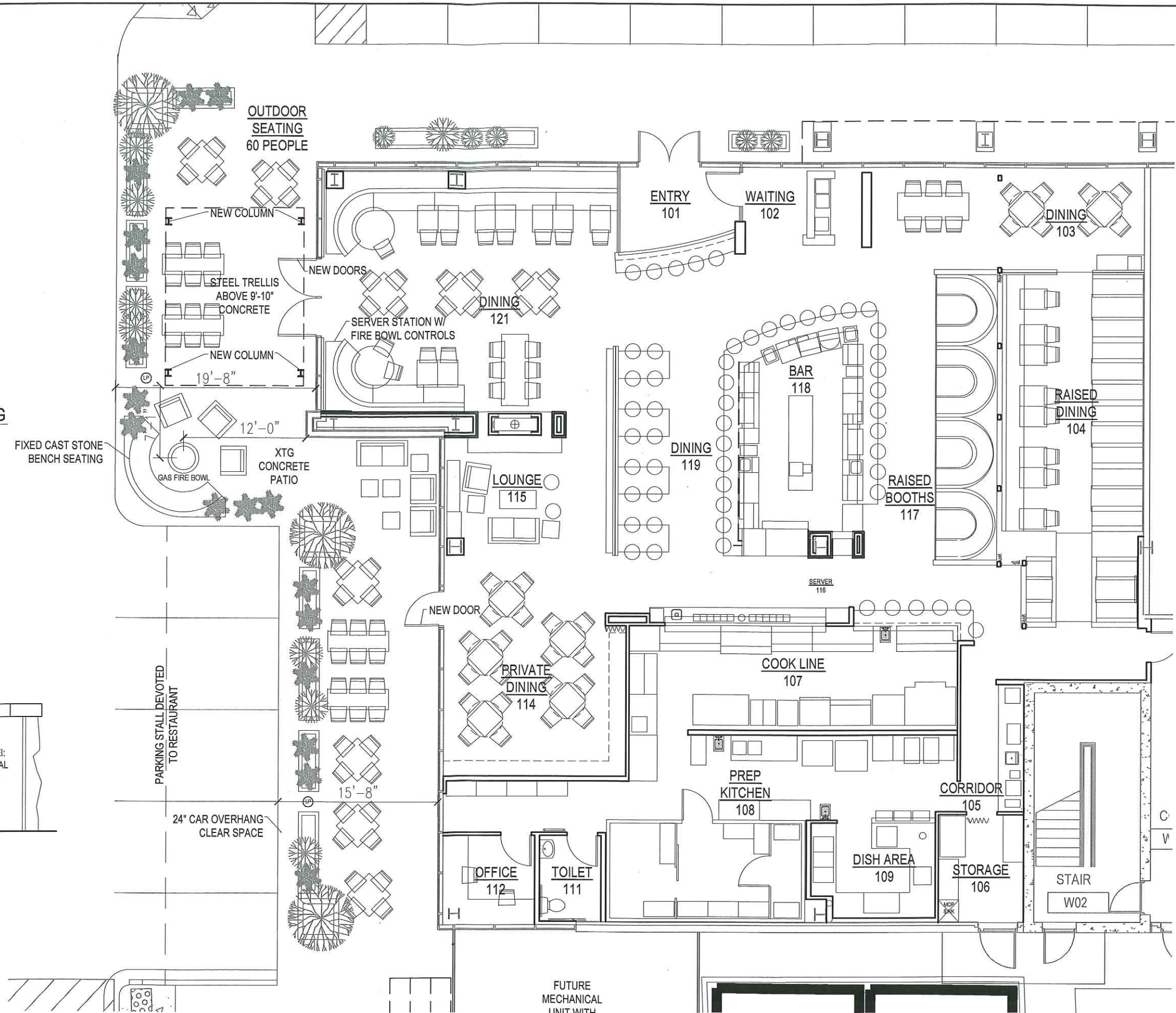
**BONFYRE RESTAURANT
 VARIANCE REQUEST
 2601 WEST BELTLINE HWY #108
 MADISON, WI**

PROJECT:

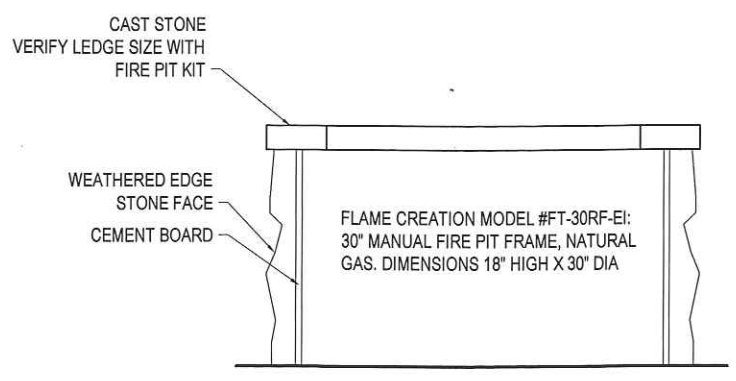
NUMBER:	081114.00
DATE:	07.29.09
REV:	---

SHEET:

C100



3 SECTION THRU BENCH SEATING
 1" = 1'-0"



2 SECTION THRU FIRE BOWL
 1" = 1'-0"

1 PARTIAL SITE PLAN & FLOOR PLAN
 1" = 10'-0"



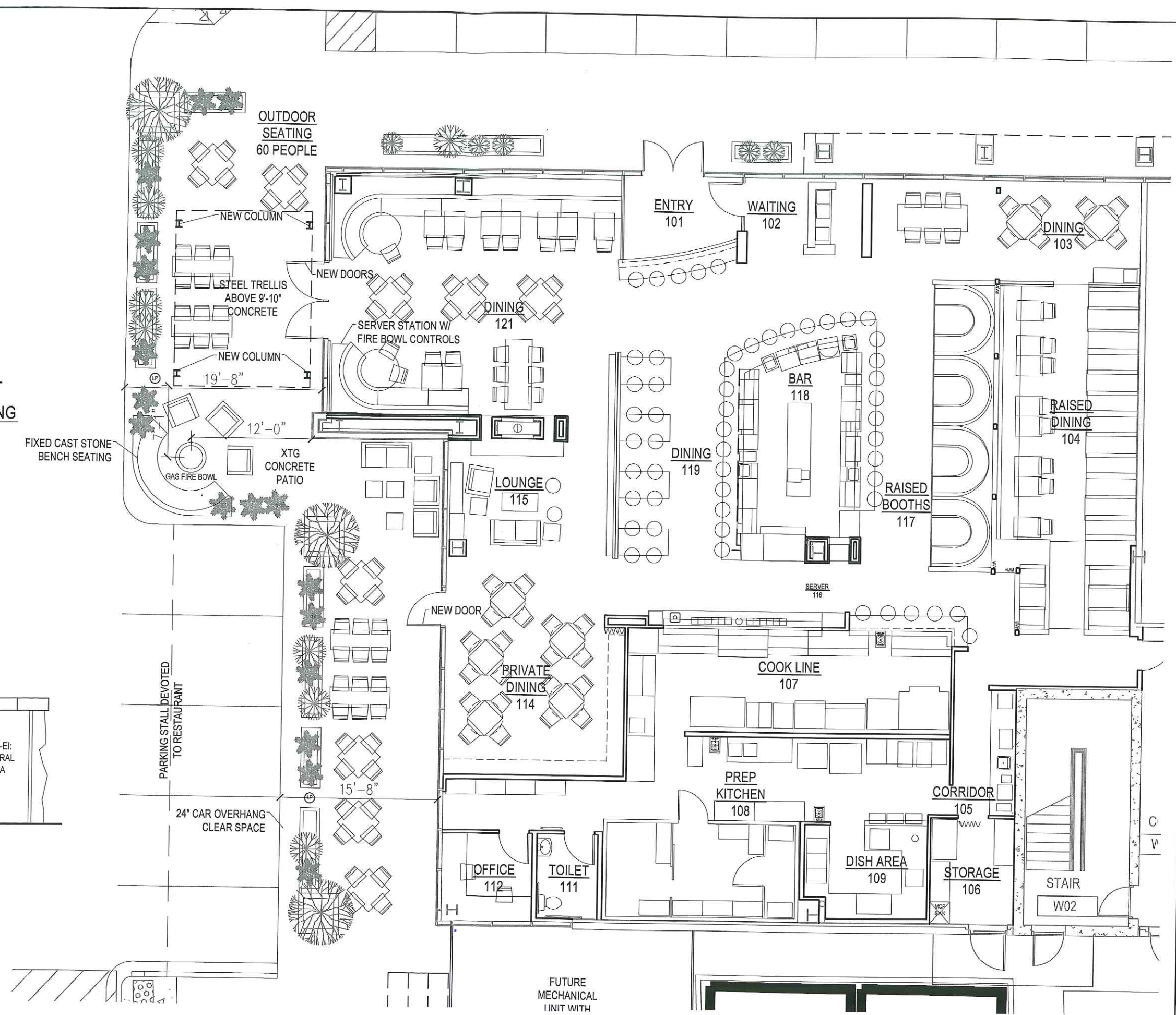
222 West Washington Ave, Suite 310 Madison, WI 53703
ph: 608.268.1499 fax: 608.268.1498
www.destreedesign.com

BONFYRE RESTAURANT VARIANCE REQUEST 2601 WEST BELTLINE HWY #108 MADISON, WI

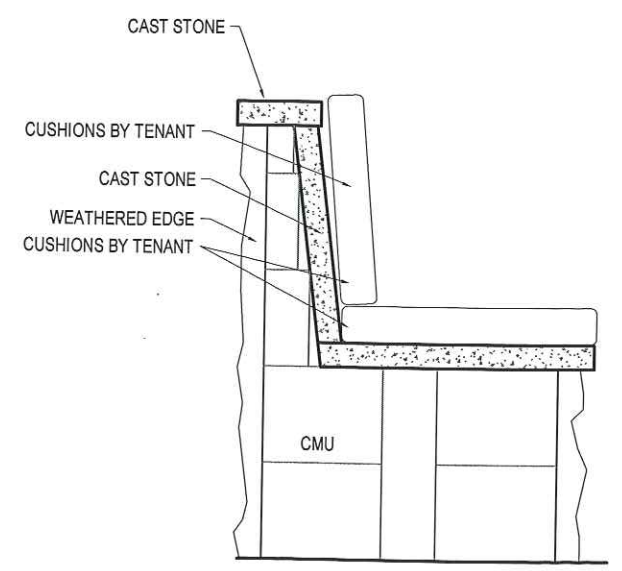
PROJECT:	
NUMBER:	081114.00
DATE:	07.29.09
REV:	---

SHEET:

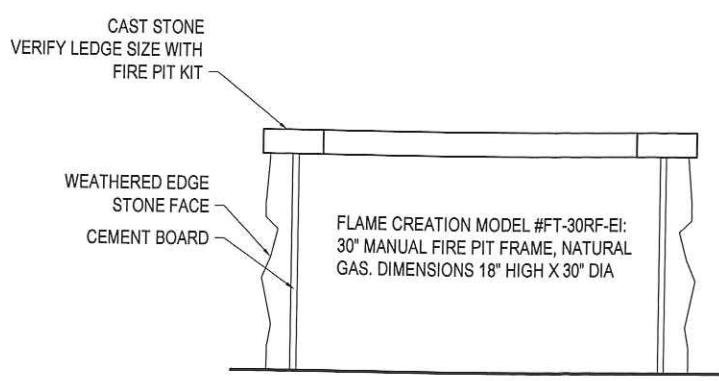
C100



1 PARTIAL SITE PLAN & FLOOR PLAN
1" = 10'-0"

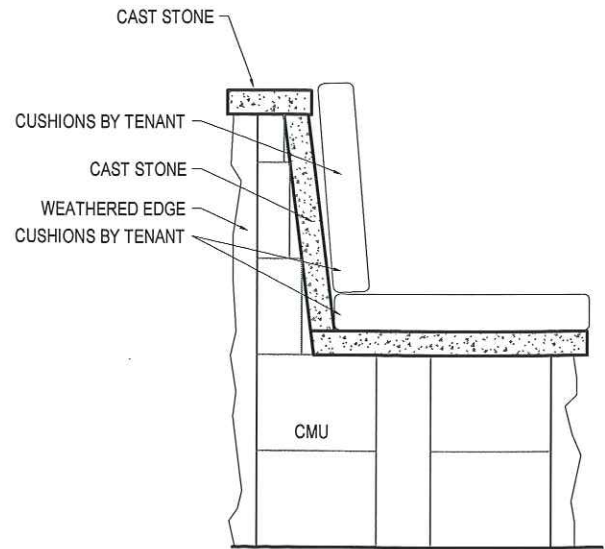
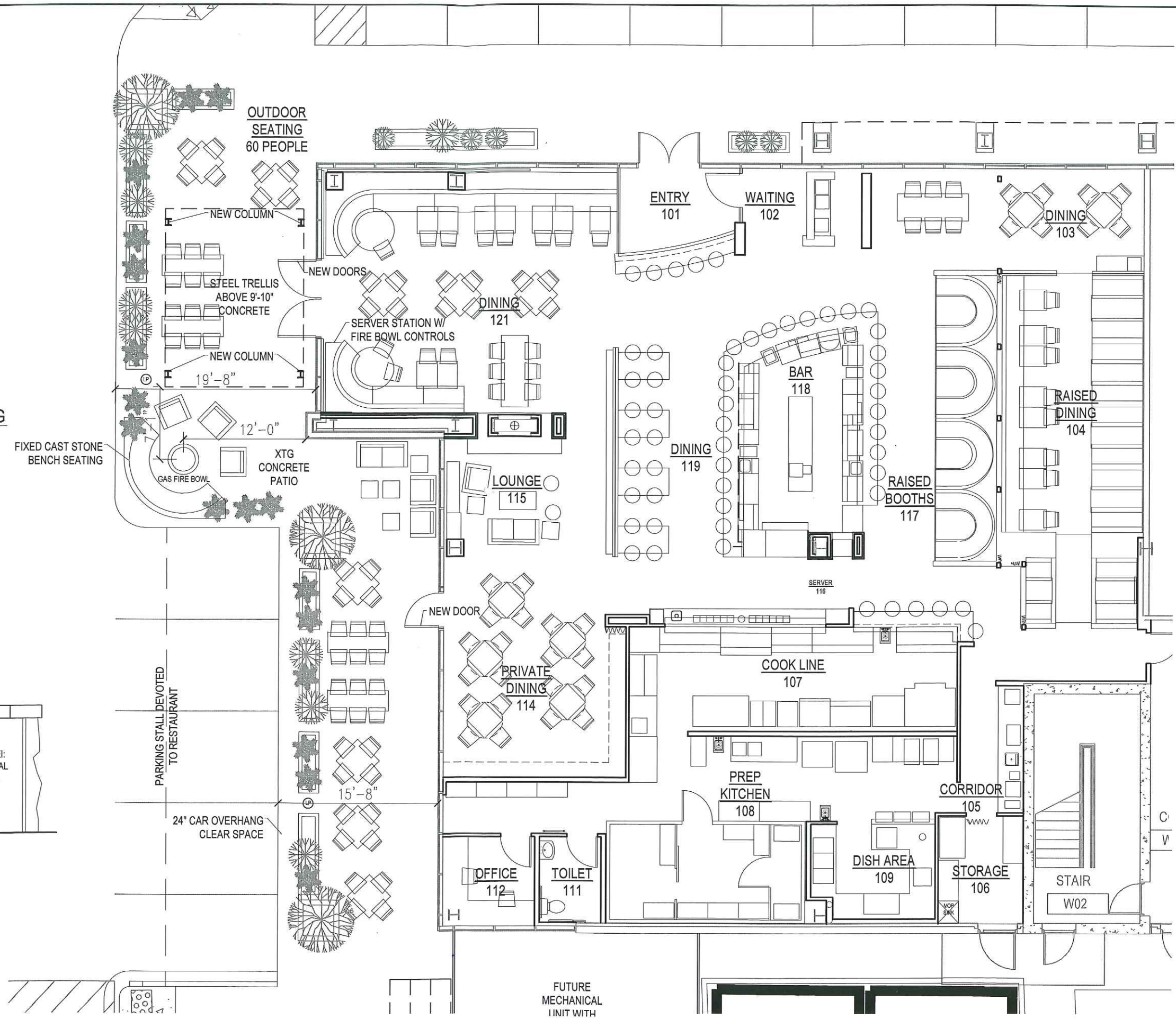


3 SECTION THRU BENCH SEATING
1" = 1'-0"

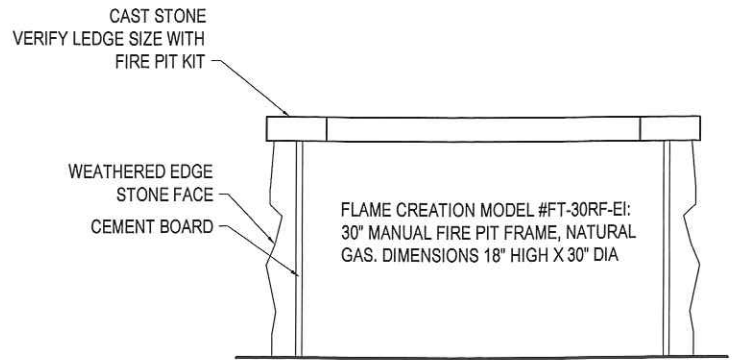


2 SECTION THRU FIRE BOWL
1" = 1'-0"

FLAME CREATION MODEL #FT-30RF-EI:
30" MANUAL FIRE PIT FRAME, NATURAL
GAS. DIMENSIONS 18" HIGH X 30" DIA



3 SECTION THRU BENCH SEATING
 1" = 1'-0"



2 SECTION THRU FIRE BOWL
 1" = 1'-0"

1 PARTIAL SITE PLAN & FLOOR PLAN
 1" = 10'-0"