

preliminary

This work was prepared by me or under my supervision and execution of the project will be under my supervision by me or under the supervision of a Licensed Professional Engineer, Architect or Surveyor of the State of Wisconsin.

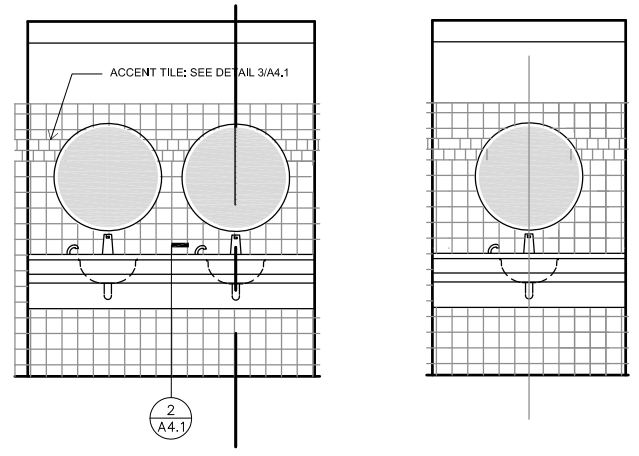
The Contractor shall verify all dimensions of the site, etc. and confirm with the architect before proceeding with the work.

© 2013 Isthmus Architecture, Inc.

**MONONA TERRACE
TOILET ROOM RENOVATIONS**
Monona Terrace Community & Convention Center
One John Nolen Drive, Madison, WI 53703

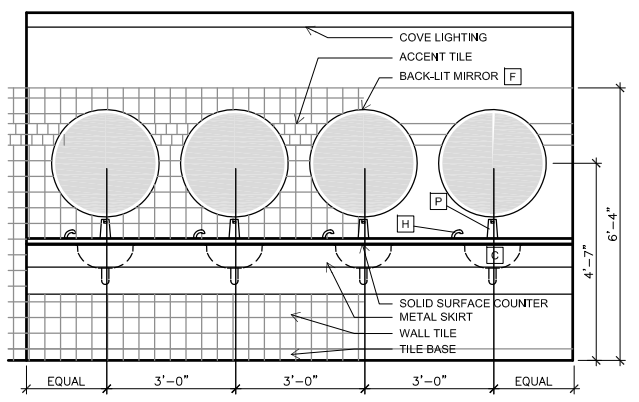
| | |
|-------------------------------------|----------|
| Proj. No.: | 1302.01 |
| Scale: | |
| Drawn By: | pr |
| Date: | 06-18-13 |
| Rebid Date: | |
| Rev. Date: | |
| NEW CONSTRUCTION LEVEL 2 | |
| Sheet Title | |
| Sheet No.: | |

A3.2

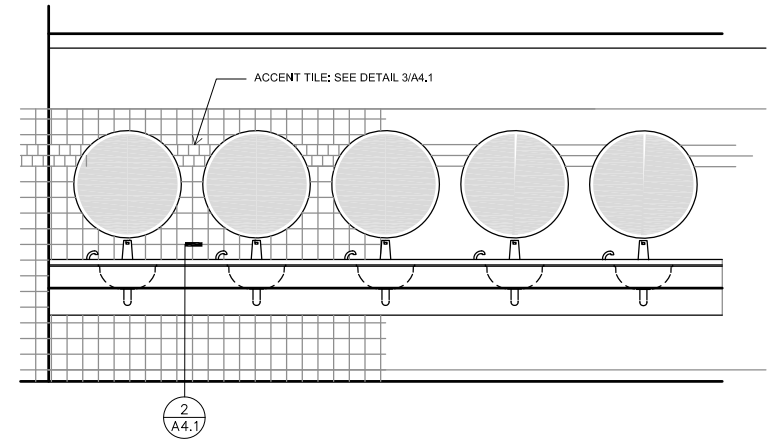


2 Room 220 - Interior Elevation
Scale: 1/2"=1'-0"

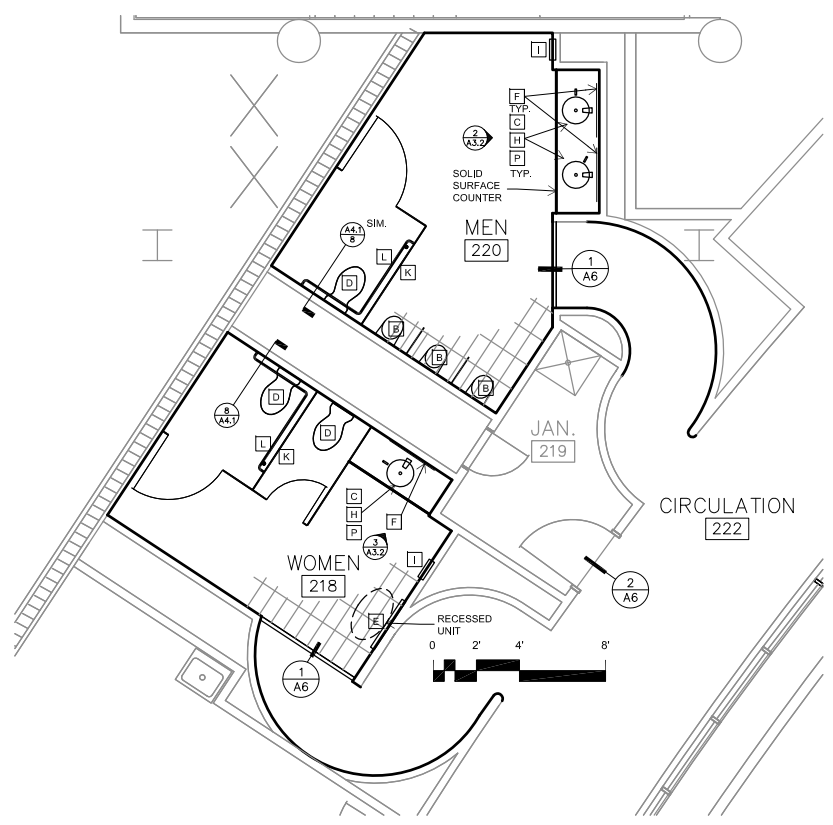
3 Room 218 - Interior Elevation
Scale: 1/2"=1'-0"



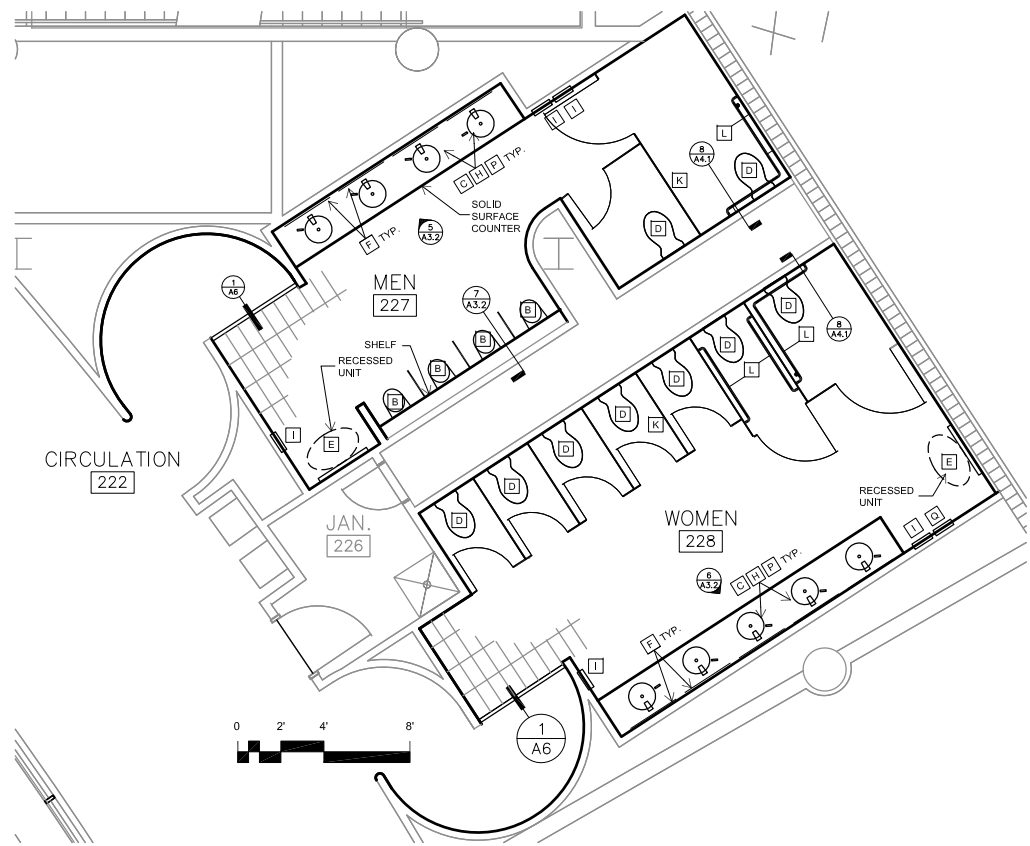
5 Room 227 - Interior Elevation
Scale: 1/2"=1'-0"



6 Room 228 - Interior Elevation
Scale: 1/2"=1'-0"



1 East Public Toilet Rooms - Level 2 Plan
Scale: 1/4"=1'-0"



4 West Public Toilet Rooms - Level 2 Plan
Scale: 1/4"=1'-0"

- NEW CONSTRUCTION NOTES**
- A INSTALL RE-USED WALL-HUNG SINK.
 - B INSTALL WALL-MOUNT URINAL.
 - C INSTALL UNDERMOUNT SINK BOWL.
 - D INSTALL WALL-HUNG WATER CLOSET.
 - E INSTALL BABY CHANGING STATION.
 - F INSTALL MIRROR.
 - G INSTALL TOILET PAPER DISPENSER.
 - H INSTALL SOAP DISPENSER.
 - I INSTALL PAPER TOWEL DISPENSER.
 - J INSTALL SANITARY DISPOSAL.
 - K INSTALL TOILET PARTITIONS.
 - L INSTALL GRAB BARS.
 - M INSTALL LIGHT FIXTURE.
 - N INSTALL ACCESS PANEL IN EXIST. OPNG.
 - P INSTALL FAUCETS
 - Q INSTALL SANITARY DISPENSER

- GENERAL NOTES**
1. PATCH AND REPAIR GYP. BOARD AND TEXTURE AS REQUIRED TO MATCH EXISTING.
 2. PROVIDE ALL NECESSARY BLOCKING TO ADEQUATELY SUPPORT PLUMBING FIXTURES, TOILET PARTITIONS AND ACCESSORIES.
 3. RE-USE EXISTING OPENINGS FOR RECESSED TOILET ACCESSORIES WHENEVER POSSIBLE.
 4. PREP, PRIME AND REPAINT ALL PAINTED DOORS AND HARDWARE
 5. REUSE / MODIFY ALL EXISTING STEEL SUPPORTS IN WALL, IN CEILING, ETC.
 6. PROTECT LAY-IN CEILING GRID DURING CONSTRUCTION, PREP, PRIME AND REPAINT.
 7. PROVIDE ALL NECESSARY POWER TO PLUMBING FIXTURES, MIRRORS, FAUCETS AND ACCESSORIES.