

APPLICATION FOR
URBAN DESIGN COMMISSION
REVIEW AND APPROVAL

AGENDA ITEM # _____
Project # _____
Legistar # _____

DATE SUBMITTED: <u>APRIL 7, 2014</u>	Action Requested
UDC MEETING DATE: <u>APRIL 23, 2014</u>	<input type="checkbox"/> Informational Presentation
	<input type="checkbox"/> Initial Approval and/or Recommendation
	<input checked="" type="checkbox"/> Final Approval and/or Recommendation

PLEASE PRINT!

PLEASE PRINT!

PROJECT ADDRESS: 698 S. WHITNEY WAY

ALDERMANIC DISTRICT: 19

OWNER/DEVELOPER (Partners and/or Principals)	ARCHITECT/DESIGNER/OR AGENT:
<u>TACO BELL CORP. (STEVE PULCHEON)</u>	<u>L+A ARCHITECTS</u>
<u>1 GLEN BELL WAY, MD #534</u>	<u>2430 ROCHESTER COURT</u>
<u>IRVINE, CA. 92618</u>	<u>TROY, MI. 48083</u>

CONTACT PERSON: GREG LAUTZENHEISER (L+A ARCHITECTS)

Address: 2430 ROCHESTER COURT
TROY, MI. 48083

Phone: (248) 524-4700

Fax: (248) 524-9746

E-mail address: GLAUTZENHEISER@LAARCHITECTSINC.COM

TYPE OF PROJECT:
(See Section A for:)

- Planned Unit Development (PUD)
 - General Development Plan (GDP)
 - Specific Implementation Plan (SIP)
- Planned Community Development (PCD)
 - General Development Plan (GDP)
 - Specific Implementation Plan (SIP)
- Planned Residential Development (PRD)
- New Construction or Exterior Remodeling in an Urban Design District * (A public hearing is required as well as a fee)
- School, Public Building or Space (Fee may be required)
- New Construction or Addition to or Remodeling of a Retail, Hotel or Motel Building Exceeding 40,000 Sq. Ft.
- Planned Commercial Site

(See Section B for:)
 New Construction or Exterior Remodeling in C4 District (Fee required)

(See Section C for:)
 R.P.S.M. Parking Variance (Fee required)

(See Section D for:)
 Comprehensive Design Review* (Fee required)
 Street Graphics Variance* (Fee required)
 Other _____

*Public Hearing Required (Submission Deadline 3 Weeks in Advance of Meeting Date)

Where fees are required (as noted above) they apply with the first submittal for either initial or final approval of a project.

EXISTING

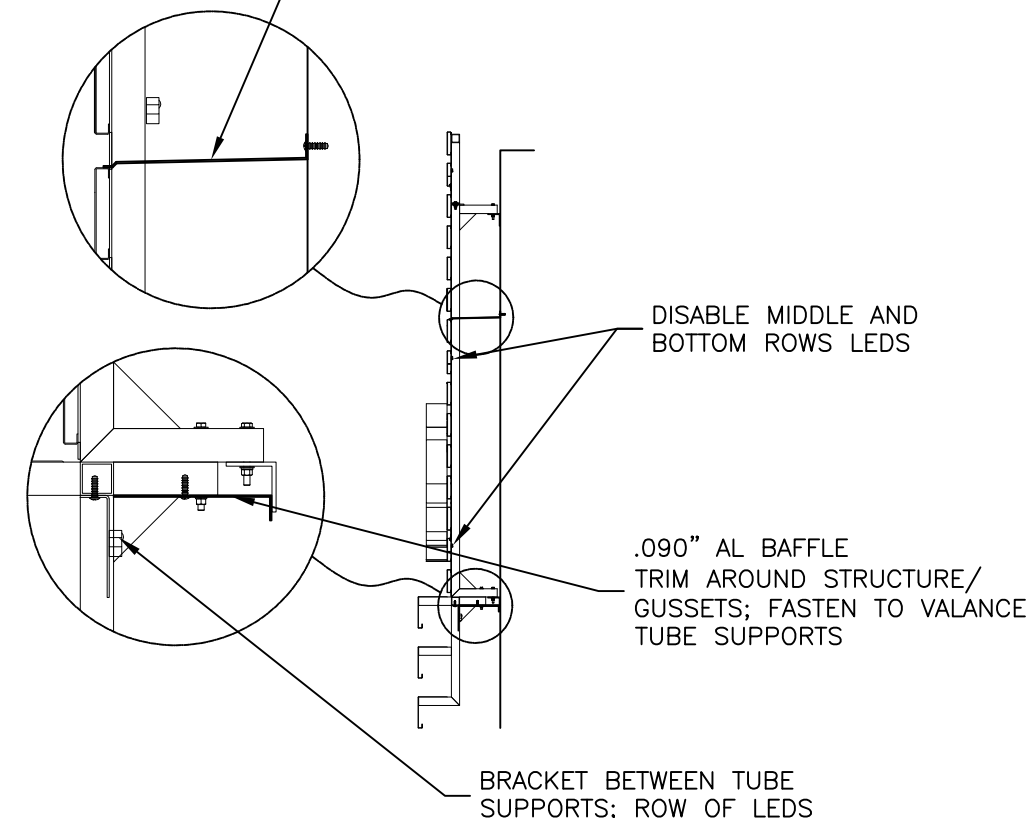


PROPOSED



ALUMINUM BAFFLES ADDED BEHIND SLATS WHERE CHANNEL LOGO & LETTERS ARE INSTALLED AS SHOWN ABOVE BLOCKING OUT LIGHTING. BACKER PANELS FINISHED TM SLAT WALLS.

PAINTED .090" FLASHING. SLIP THROUGH BELOW 6TH SLAT. FASTEN TO WALL WITH SCREWS AS REQUIRED. SCREW OR DOUBLE-STICK TAPE EDGE OF FLASHING TO TOP OF SLAT TO PREVENT VIBRATION/RATTLE. FLASHING SECTIONS WILL HAVE TO TRIM TO LENGTHS TO FIT BETWEEN VERTICAL STRUCTURE OF FRAME.



SIDE VIEW @ SLAT WALL & VALANCE SET



9-24-13 T. Pickel

10-29-13 T. Pickel

4-11-14 T. Pickel

D-ORDER# 73497



THIS IS AN ORIGINAL UNPUBLISHED DRAWING CREATED FOR YOUR PERSONAL USE IN CONNECTION WITH A PROJECT PLANNED FOR YOU BY CUMMINGS. IT IS NOT TO BE SHOWN OUTSIDE YOUR ORGANIZATION NOR USED, REPRODUCED, COPIED OR EXHIBITED IN ANY FASHION UNLESS AUTHORIZED IN WRITING BY AN OFFICER OF CUMMINGS.

CUSTOMER APPROVAL:

DATE:

Rev. #	DATE	BY
Rev. #1	8-9-13	T. Pickel
Rev. #2	8-22-13	T. Pickel
Rev. #3	9-10-13	T. Pickel
Rev. #4	9-16-13	T. Pickel
Rev. #5	9-18-13	T. Pickel
Rev. #6	9-19-13	T. Pickel

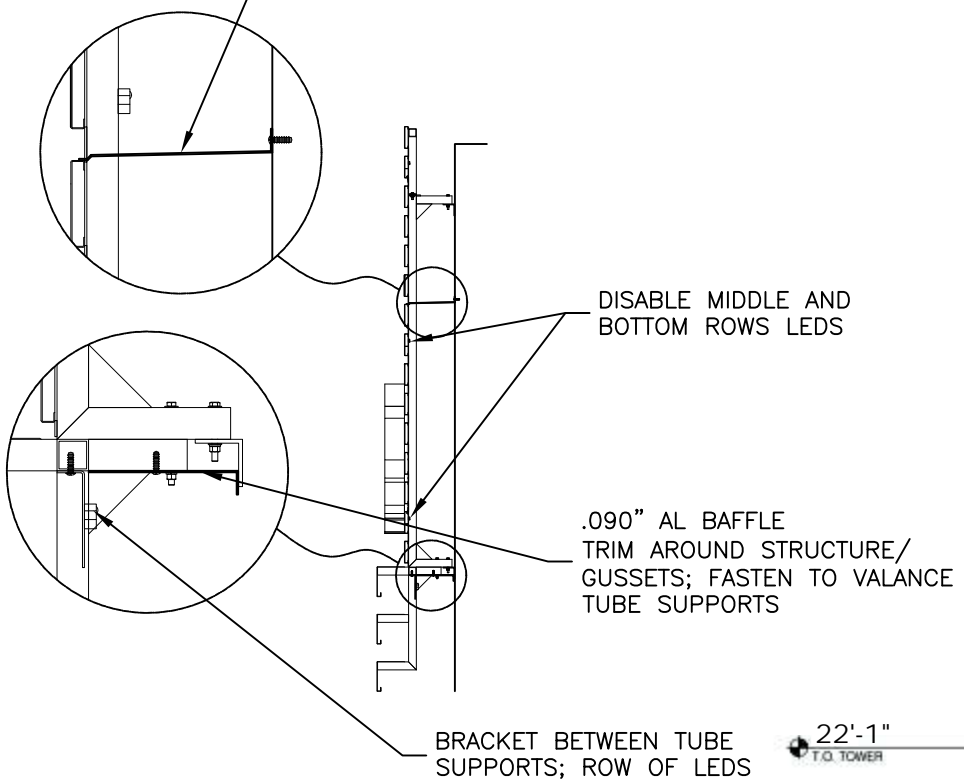


698 S. WHITNEY WAY,
MADISON, WI

DRAWING NO:
13-222r11

ARTIST: T. Pickel DATE: 8-5-13
SHEET: 1 OF 6

PAINTED .090" FLASHING. SLIP THROUGH BELOW 6TH SLAT. FASTEN TO WALL WITH SCREWS AS REQUIRED. SCREW OR DOUBLE-STICK TAPE EDGE OF FLASHING TO TOP OF SLAT TO PREVENT VIBRATION/RATTLE. FLASHING SECTIONS WILL HAVE TO TRIM TO LENGTHS TO FIT BETWEEN VERTICAL STRUCTURE OF FRAME.



SIDE VIEW @ SLAT WALL & VALANCE SET

EXISTING



PROPOSED



ALUMINUM BAFFLES ADDED BEHIND SLATS WHERE CHANNEL LOGO, LETTERS & ACCENT ARE INSTALLED TO AS SHOWN ABOVE BLOCKING OUT LIGHTING. BACKER PANELS FINISHED TM SLAT WALLS.



SCALE: 1/8" = 1'-0"



THIS IS AN ORIGINAL UNPUBLISHED DRAWING CREATED FOR YOUR PERSONAL USE IN CONNECTION WITH A PROJECT PLANNED FOR YOU BY CUMMINGS. IT IS NOT TO BE SHOWN OUTSIDE YOUR ORGANIZATION NOR USED, REPRODUCED, COPIED OR EXHIBITED IN ANY FASHION UNLESS AUTHORIZED IN WRITING BY AN OFFICER OF CUMMINGS.

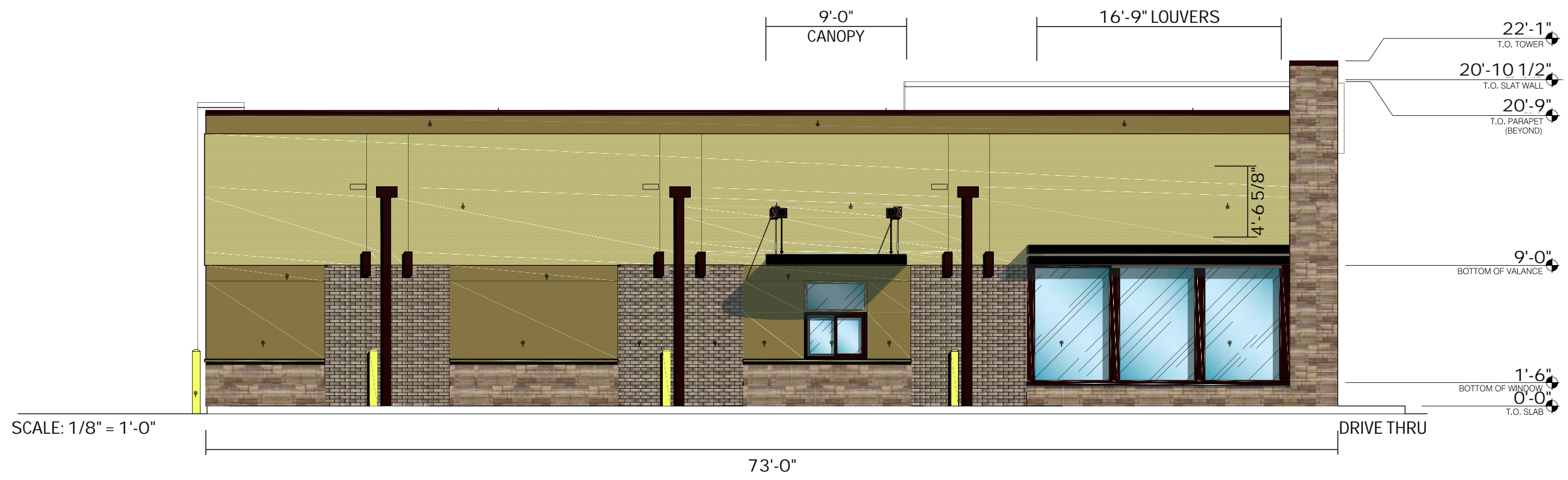
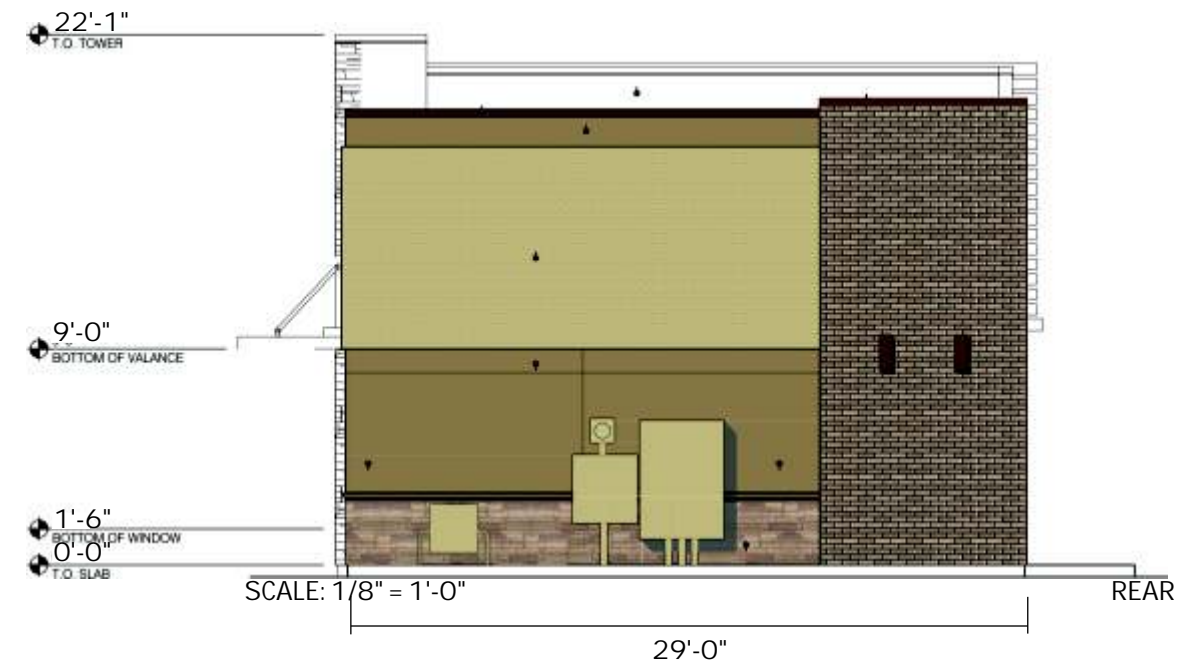
CUSTOMER APPROVAL: _____
DATE: _____

Rev. #	DATE	BY	Rev. #	DATE	BY
Rev. #1	8-9-13	T. Pickel	Rev. #4	9-16-13	T. Pickel
Rev. #2	8-22-13	T. Pickel	Rev. #5	9-18-13	T. Pickel
Rev. #3	9-10-13	T. Pickel	Rev. #6	9-19-13	T. Pickel
Rev. #7	9-24-13	T. Pickel	Rev. #8	10-29-13	T. Pickel



698 S. WHITNEY WAY,
MADISON, WI

D-ORDER# 73497
DRAWING NO:
13-222r11
ARTIST: T. Pickel DATE: 8-5-13
SHEET: 2 OF 6



9-24-13 T. Pickel 10-29-13 T. Pickel 4-11-14 T. Pickel D-ORDER# 73497



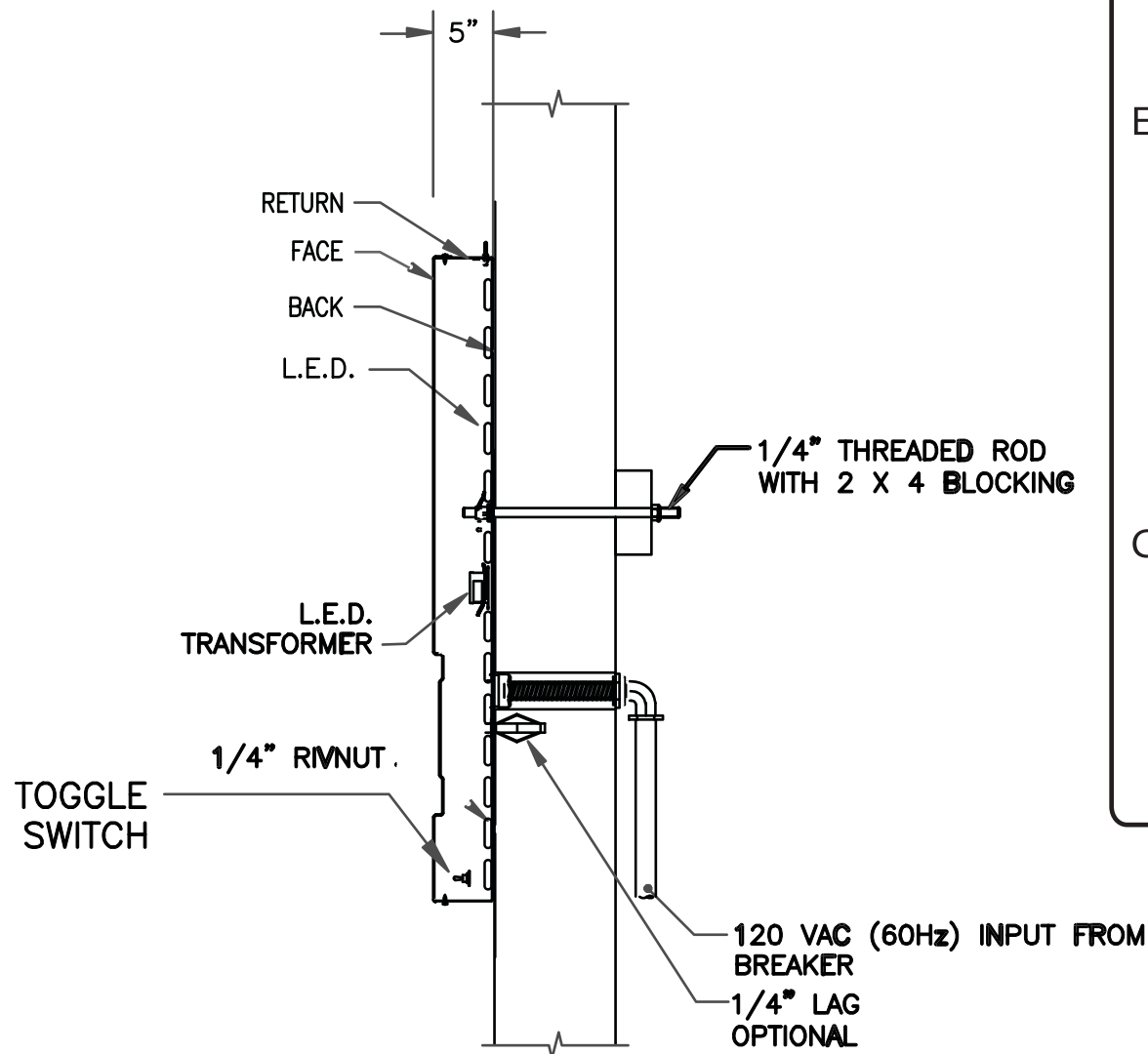
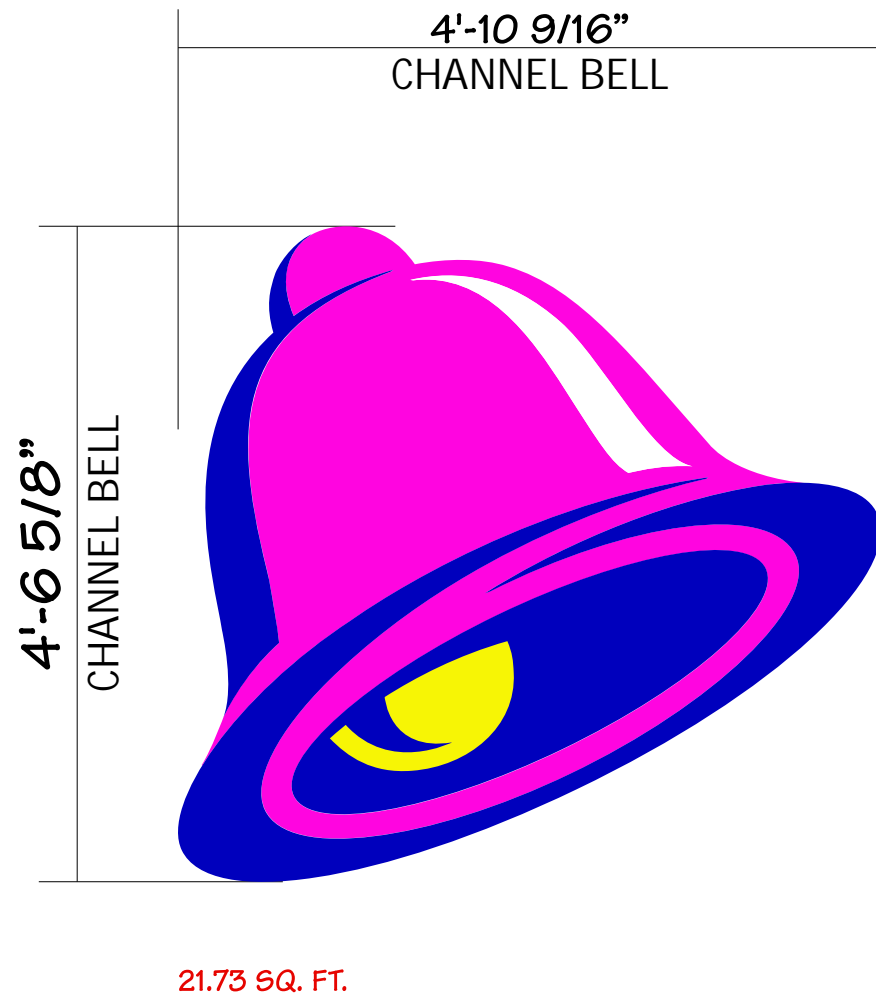
THIS IS AN ORIGINAL UNPUBLISHED DRAWING CREATED FOR YOUR PERSONAL USE IN CONNECTION WITH A PROJECT PLANNED FOR YOU BY CUMMINGS. IT IS NOT TO BE SHOWN OUTSIDE YOUR ORGANIZATION NOR USED, REPRODUCED, COPIED OR EXHIBITED IN ANY FASHION UNLESS AUTHORIZED IN WRITING BY AN OFFICER OF CUMMINGS.

CUSTOMER APPROVAL: _____
DATE: _____

Rev. #	DATE	BY	Rev. #	DATE	BY
Rev. #1	8-9-13	T. Pickel	Rev. #4	9-16-13	T. Pickel
Rev. #2	8-22-13	T. Pickel	Rev. #5	9-18-13	T. Pickel
Rev. #3	9-10-13	T. Pickel	Rev. #6	9-19-13	T. Pickel

TACO BELL
698 S. WHITNEY WAY,
MADISON, WI

DRAWING NO:
13-222r11
ARTIST: T. Pickel DATE: 8-5-13
SHEET: 3 OF 6



SIGN SPECIFICATIONS

- Materials
- Return: Aluminum- 5" Deep
 - Face: Formed And Debossed White Polycarbonate
- Decoration
- Return: Painted Violet Spraylat L8-7917
 - Face: 2nd Surface Graphics
- Accesses
- Removable Face
- Area
- Squared: 21.73 sqft
- Weight(Est.)
- 125 lbs.
- Wind Load
- Windload Designed For 110 mph Wind Zone

ELECTRICAL SPECIFICATIONS

- Illumination
- White LED's - 5000K
- Electronic
- Power Supply
- Line Load
- Amps: 0.8
 - Circuits: (1) 20 amp
 - Volts: 120

COLOR SPECIFICATIONS

Graphic & Color Specifications		
Color	Other	3M
White	Spraylat White 801	
Violet	Spraylat L8-7937	3630-9126
Yellow	Spraylat L8-7937	3630-015
Magenta	Spraylat L8-7836	3630-1412

PART # 823-NI-4X4-BELL



THIS IS AN ORIGINAL UNPUBLISHED DRAWING CREATED FOR YOUR PERSONAL USE IN CONNECTION WITH A PROJECT PLANNED FOR YOU BY CUMMINGS. IT IS NOT TO BE SHOWN OUTSIDE YOUR ORGANIZATION NOR USED, REPRODUCED, COPIED OR EXHIBITED IN ANY FASHION UNLESS AUTHORIZED IN WRITING BY AN OFFICER OF CUMMINGS.

CUSTOMER APPROVAL:

DATE: _____

Rev. #	DATE	BY	Rev. #	DATE	BY
Rev. #1	8-9-13	T. Pickel	Rev. #4	9-16-13	T. Pickel
Rev. #2	8-22-13	T. Pickel	Rev. #5	9-18-13	T. Pickel
Rev. #3	9-10-13	T. Pickel	Rev. #6	9-19-13	T. Pickel

9-24-13 T. Pickel

10-29-13 T. Pickel

4-11-14 T. Pickel

D-ORDER# 73497

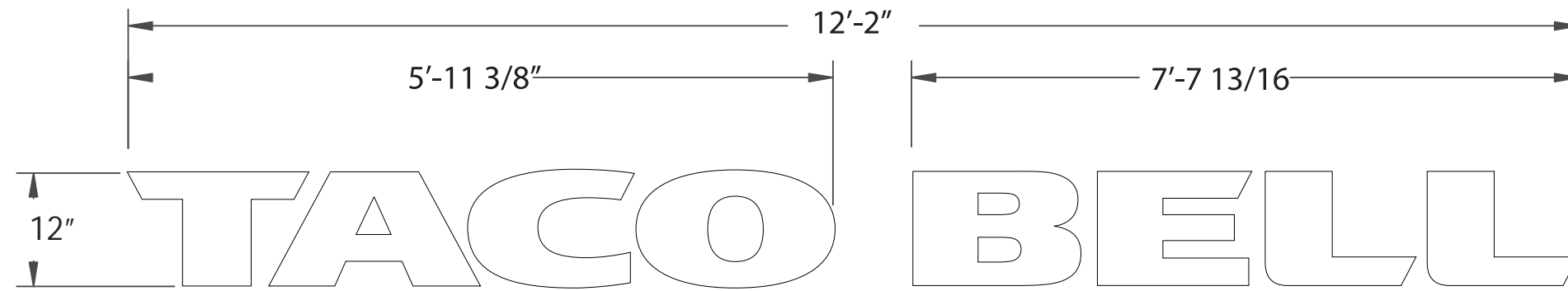


698 S. WHITNEY WAY,
MADISON, WI

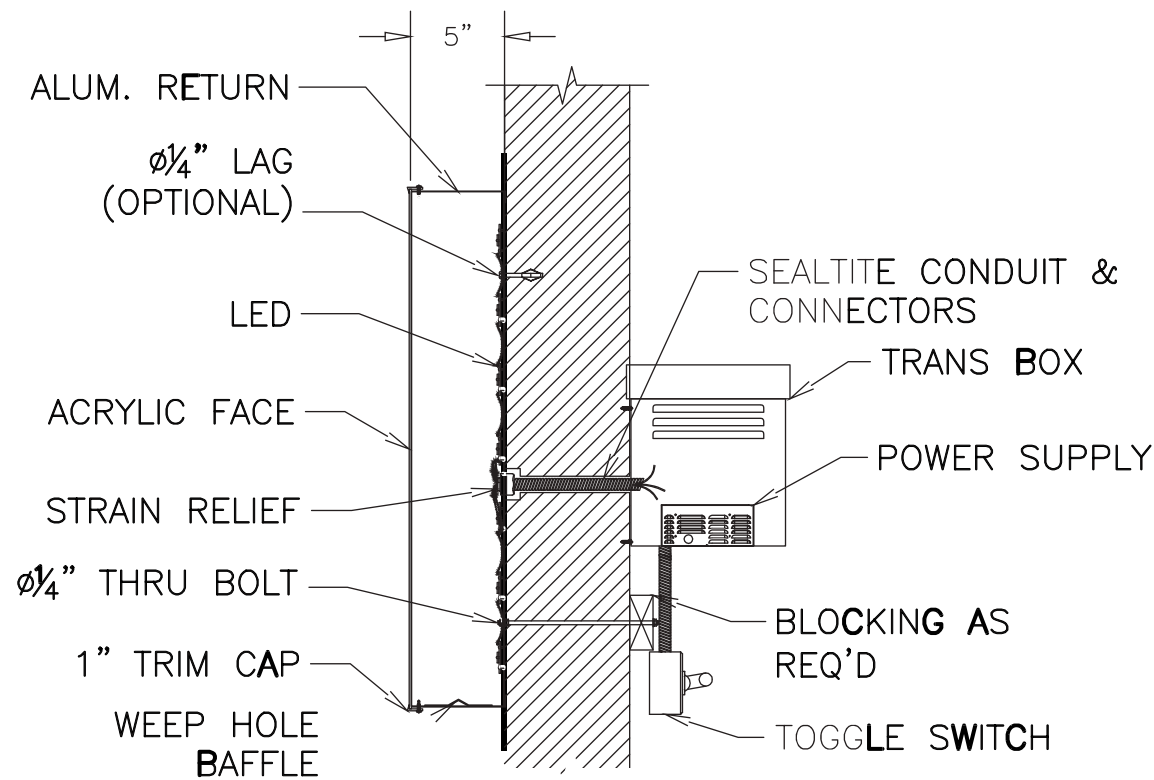
**DRAWING NO:
13-222r11**

ARTIST: T. Pickel DATE: 8-5-13

SHEET: 4 OF 6



12.1 SQ. FT.



SECTION VIEW
EQUIPMENT GROUNDED

SIGN SPECIFICATIONS

- Materials**
- Return: Aluminum
 - Face: Flat acrylic with 1" white trimcap.
- Decoration**
- Return: Painted White
- Wind Load**
- Windload Designed For 110 mph Wind Zone

ELECTRICAL SPECIFICATIONS

- Illumination**
- White LED's
- Electronic**
- Ballast: t.b.d.
- Line Load**
- Amps: 0.8
 - Circuits: (1) 20 amp
 - Volts: 120

PART# 823-IN-12-CL-WHITE

9-24-13 T. Pickel 10-29-13 T. Pickel 4-11-14 T. Pickel D-ORDER# 73497



THIS IS AN ORIGINAL UNPUBLISHED DRAWING CREATED FOR YOUR PERSONAL USE IN CONNECTION WITH A PROJECT PLANNED FOR YOU BY CUMMINGS. IT IS NOT TO BE SHOWN OUTSIDE YOUR ORGANIZATION NOR USED, REPRODUCED, COPIED OR EXHIBITED IN ANY FASHION UNLESS AUTHORIZED IN WRITING BY AN OFFICER OF CUMMINGS.

CUSTOMER APPROVAL:

DATE: _____

Rev. #	DATE	BY	Rev. #	DATE	BY
Rev. #1	8-9-13	T. Pickel	Rev. #4	9-16-13	T. Pickel
Rev. #2	8-22-13	T. Pickel	Rev. #5	9-18-13	T. Pickel
Rev. #3	9-10-13	T. Pickel	Rev. #6	9-19-13	T. Pickel



698 S. WHITNEY WAY,
MADISON, WI

DRAWING NO:
13-222r11

ARTIST: T. Pickel DATE: 8-5-13

SHEET: 5 OF 6

G2-172°



Features and Benefits

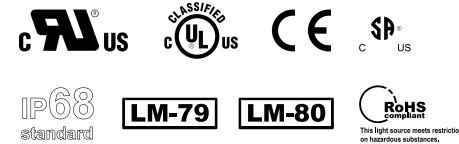
- 172° wide beam angle
- Waterproof IP68 rating
- UL certified for use in wet, damp and dry locations
- UV resistant, suitable for direct sun exposure
- Operating temperature range from -40°C to +60°C (-40°F to +140°F)
- Constant current driven LEDs
- No UV or IR emission
- Complies with FCC Title 47, Part 15, Subpart B for Class A digital devices
- 5-year limited warranty

G1-120°



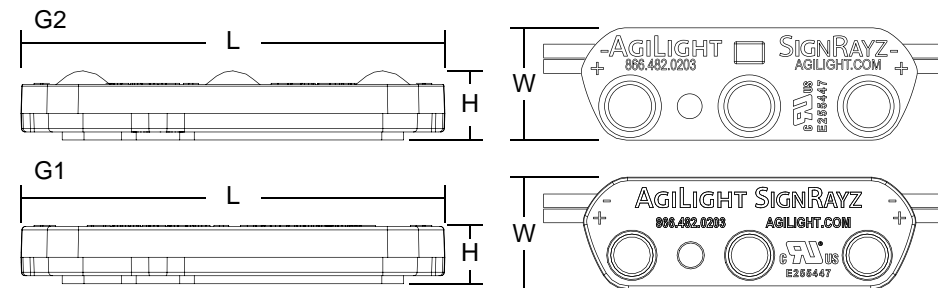
Applications

- Channel Letters
- Cabinet Signs
- Cloud Signs
- Cove Lighting
- Accent Lighting



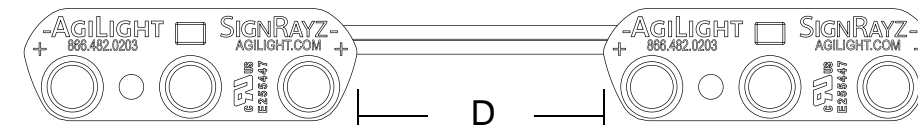
Module Size

Model	STANDARD (in)			METRIC (mm)		
	Length	Width	Height	Length	Width	Height
LS-APEX-XXX-G2	2.3	0.78	0.37	58.42	19.81	9.40
LS-APX3-XXX-G2	2.3	0.78	0.37	58.42	19.81	9.40
LS-APEX-XXX-G1	2.3	0.78	0.29	58.42	19.81	7.37



Module Spacing

Model	Distance Between Modules	
	STANDARD (in)	METRIC (mm)
LS-APEX-XXX-GX	3.7	93.98
LS-APX3-XXX-G2	1.7	43.18



Ordering Information

Ordering Code	LED Color/ CCT (K)	Number of Modules		Input Voltage (Volt)	Nominal Current (A/Module)	Max. Wattage per Module* (W)	Nominal Light Output (lm)*	
		per Foot	per Meter				per Foot	per Meter
LS-APEX-ASW-G2	AgiLight SignWhite	2	6.56	12	0.135	1.64	215	705
LS-APEX-65K-G2	White/6500K	2	6.56	12	0.135	1.64	215	705
LS-APEX-57K-G2	White/5700K	2	6.56	12	0.135	1.64	215	705
LS-APEX-50K-G2	White/5000K	2	6.56	12	0.135	1.64	215	705
LS-APEX-45K-G2	White/4500K	2	6.56	12	0.135	1.64	180	591
LS-APEX-41K-G2	White/4100K	2	6.56	12	0.135	1.64	180	591
LS-APEX-30K-G2	White/3000K	2	6.56	12	0.135	1.64	180	591
LS-APEX-27K-G2	White/2700K	2	6.56	12	0.135	1.64	180	591
LS-APEX-24K-G2	White/2400K	2	6.56	12	0.135	1.64	180	591
LS-APX3-30K-G2	White/3000K	3	9.84	12	0.135	1.64	270	886
LS-APX3-27K-G2	White/2700K	3	9.84	12	0.135	1.64	270	886
LS-APX3-24K-G2	White/2400K	3	9.84	12	0.135	1.64	270	886
LS-APEX-75K-G1	White/7500K	2	6.56	12	0.135	1.64	215	705
LS-APEX-65K-G1	White/6500K	2	6.56	12	0.135	1.64	215	705
LS-APEX-30K-G1	White/3000K	2	6.56	12	0.135	1.64	180	591
LS-APEX-27K-G1	White/2700K	2	6.56	12	0.135	1.64	180	591

**For indoor Cove lighting applications only.

*Nominal 1.62W

*±10%

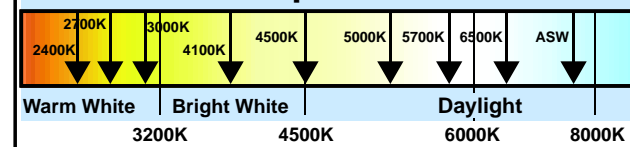
Ordering Guide

LED Sign	Model	Color Temperature	Beam Angle
LS	-APEX	-65K	-G2
		6500K	G2: 172°

Shipping Information

Model	STANDARD												METRIC											
	SKU (ft)	Tray Quantity (ft)	Box Quantity (ft)	Case Quantity (ft)	Case Weight (lb)	Box Dimensions (in)			Case Dimensions (in)			SKU (m)	Tray Quantity (m)	Box Quantity (m)	Case Quantity (m)	Case Weight (kg)	Box Dimensions (mm)			Case Dimensions (mm)				
	W	D	H	W	D	H	W	D	H	W	D	H	W	D	H	W	D	H	W	D	H			
LS-APEX-XXX-GX	1	25	100	500	38	19.9	12.8	4.7	24.4	20.3	13.2	0.3	7.6	30.5	152.4	17.7	505.5	325.1	119.4	619.8	515.6	335.3		
LS-APX3-XXX-G2	1	25	100	500	48	19.4	11.4	5.5	27.9	20.3	13.3	0.3	7.6	30.5	152.4	21.8	492.8	289.6	139.7	708.7	515.6	337.8		

Color Temperature Scale



Power Supply Load Chart

Model	STANDARD (ft)		METRIC (m)	
	12W	60W	12W	60W
LS-APEX-XXX-GX	3.5	18.0	1.1	5.5
LS-APX3-XXX-G2	2.0	12.0	0.6	3.7

Wire Gauge Chart

Wire Gauge (AWG)	MAXIMUM DISTANCE*	
	STANDARD (ft)	METRIC (m)
18	18	5.49
16	29	8.84
14	45	13.72
12	71	21.64
10	120	36.58

*Distance from power supply to load (at full capacity)

Population Density Guide

G2-172° Beam Angle	STANDARD (in)				
	Channel Depth:	3	4	5	6
Max. Stroke	*	*	10	11	15
Multiple Row Spacing	*	*	8	10	12

G1-120° Beam Angle	STANDARD (in)				
	Channel Depth:	3	4	5	6
Max. Stroke	*	*	8	8	10
Multiple Row Spacing	*	*	5	6	8

G2-172° Beam Angle	METRIC (mm)				
	Channel Depth:	80	100	125	150
Max. Stroke	*	*	254	279	381
Multiple Row Spacing	*	*	203	254	305

G1-120° Beam Angle	METRIC (mm)				
	Channel Depth:	80	100	125	150
Max. Stroke	*	*	203	203	254
Multiple Row Spacing	*	*	127	152	203

* Please contact a sales associate



THIS IS AN ORIGINAL UNPUBLISHED DRAWING CREATED FOR YOUR PERSONAL USE IN CONNECTION WITH A PROJECT PLANNED FOR YOU BY CUMMINGS. IT IS NOT TO BE SHOWN OUTSIDE YOUR ORGANIZATION NOR USED, REPRODUCED, COPIED OR EXHIBITED IN ANY FASHION UNLESS AUTHORIZED IN WRITING BY AN OFFICER OF CUMMINGS.

CUSTOMER APPROVAL:

DATE:

9-24-13 T. Pickel

10-29-13 T. Pickel

4-11-14 T. Pickel

D-ORDER# 73497

Rev. #	DATE	BY
Rev. #1	8-9-13	T. Pickel
Rev. #2	8-22-13	T. Pickel
Rev. #3	9-10-13	T. Pickel



698 S. WHITNEY WAY,
MADISON, WI

DRAWING NO:
13-222r11

ARTIST: T. Pickel DATE: 8-5-13

SHEET: 6 OF 6



L+A ARCHITECTS, INC.

2430 ROCHESTER COURT, SUITE 200
TROY, MICHIGAN 48083
TELEPHONE: 248.524.4700
FACSIMILE: 248.524.9746
WEB: www.laarchitectsinc.com

April 10, 2014

Al Martin
City of Madison
Planning & Community & Economic Development Office
215 Martin Luther King Jr. Blvd., Suite LL-100
Madison Municipal Building
Madison, WI 53703

**RE: Taco Bell @ 698 South Whitney Way
Madison, WI
L+A Job No. 12020**

In response to the City's concern that the signs on the slat wall appear to be "backlit", we have proposed the following solution: Two (2) rows of LED modules have been disabled; aluminum baffle trim has been added between the slat wall and the building above and below the signage to block other light from the sign area. The result is a band on the slat wall that is not backlit. Refer to Cummings sheets 1 of 6 and 2 of 6, the existing and proposed building elevations and side view (section) of the slat wall. The Architectural Elevations, sheets A4.0 and A4.1, have the proposed LED light fixture elevations above finished floor noted and the modules depicted.

Sincerely,

L + A Architects, Inc.

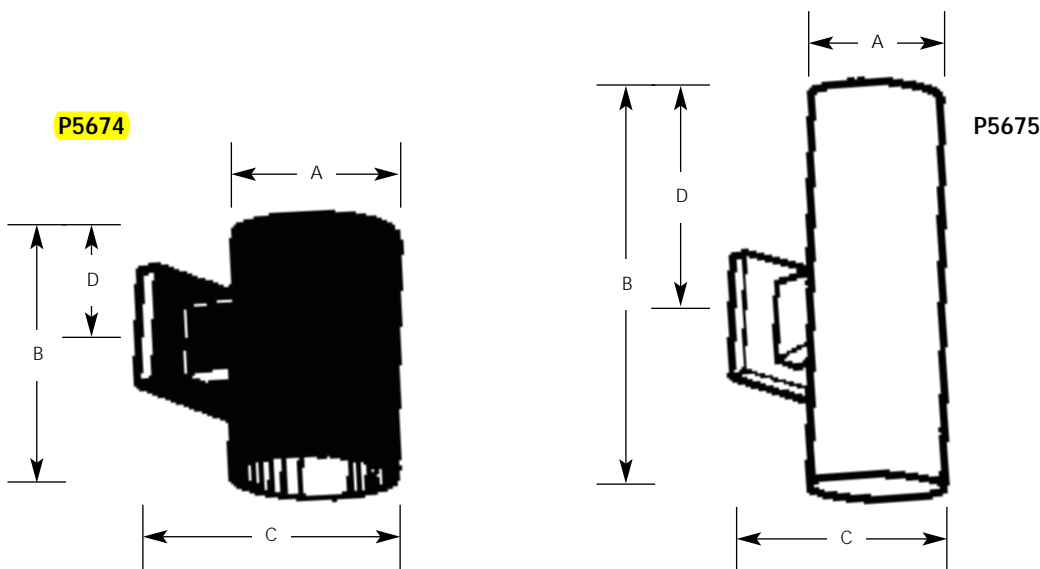


Greg Lautzenheiser, A.I.A.

DISTRIBUTION: Steve Pulcheon, Taco Bell Corporation via email
Matt Tucker, City of Madison via email
Patience Casey, Cummings Signs via email
Rich Burke, L+A Architects, Inc.
File

	Type			
	-20	-30	-31	-82
P5674	<input type="checkbox"/>	<input type="checkbox"/>	<input type="checkbox"/>	<input type="checkbox"/>
P5675	<input type="checkbox"/>	<input type="checkbox"/>	<input type="checkbox"/>	<input type="checkbox"/>

Catalog No.	Finish				Lamping	Dimensions (Inches)			
	Bronze	White	Black	Gray		A	B	C	D
P5674	-20	-30	-31	-82	1-75w PAR30, 65w BR30	5	7-1/4	8	2-1/2
P5675	-20	-30	-31	-82	2-75w PAR30	5	14	8	7



Specifications:

General

- Extruded aluminum .125 wall thickness one piece cylinder
- Cast aluminum wall bracket
- P5674 - Down lighting
- P5675 - Up/Down lighting. P8799-31 top cover lens recommended when unit is used outdoors
- Interior finish matches exterior finish

Mounting

- Covers any outlet box
- Cast mounting bracket is 4-1/2" square
- Outlet box mounting bracket supplied permitting attachment of unit to wall with one almost invisible set screw

Electrical

- Medium base porcelain socket with nickel plated brass screw shell

Options

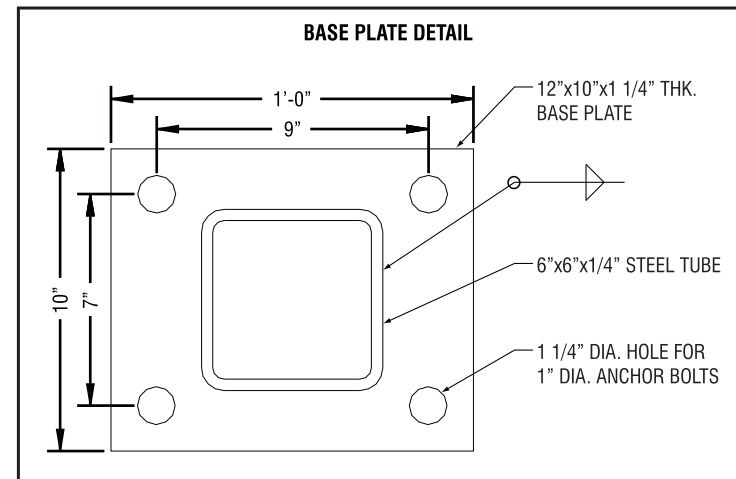
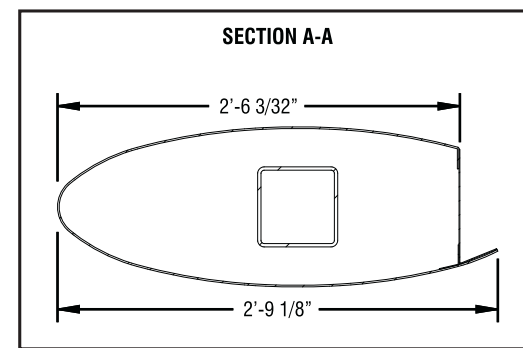
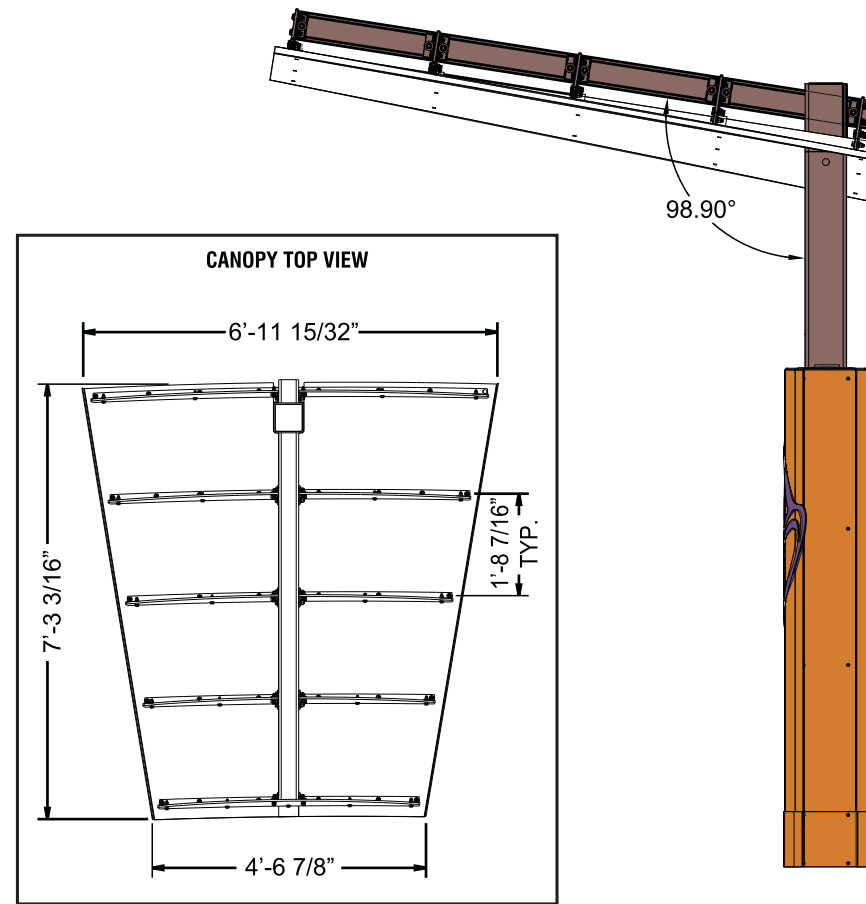
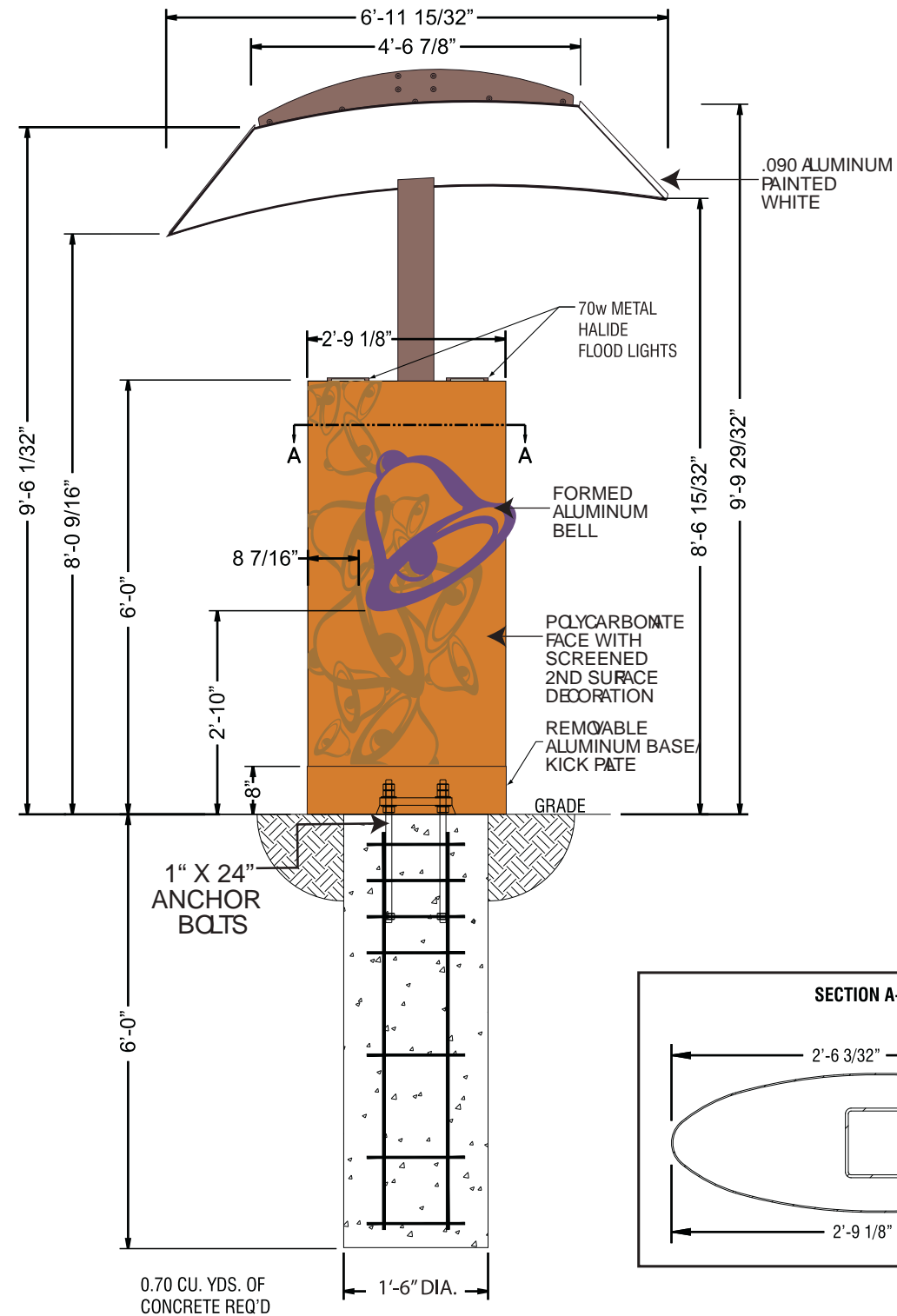
- Bronze finish - specify "20" suffix
- White finish - specify "30" suffix
- Black finish - specify "31" suffix
- Metallic Gray finish - specify "82" suffix

Accessories

- P8799-31 Top lens cover for P5675 fixture

Labeling

- UL-CUL wet location listed - P5674 and P5675 with top cover
- P5675 UL-CUL listed for indoor use with no cover



SIGN SPECIFICATIONS

Materials

- Polycarbonate face with screened decorations - 2nd surface.
- Aluminum canopy with steel ribs.
- Formed aluminum bell.
- Removable shroud.

ELECTRICAL SPECIFICATIONS

- (2) 70 watt metal halide lamps.
- Other electrical specs. T.B.D.

COLOR SPECIFICATIONS

- Polycarbonate Cladding:
 - Screen second surface: Amber Wave SW6657
 - Bell Graphics: Screen second surface
 - Light Bell: PMS 131U
 - Dark Bell: PMS 139U
- Canopy posts and framing members:
 - TB Bronze Tiger Drylac 49-66230 C33
- Metal Bell: Paint to Match PMS 2685
- Canopy: White SW2123 eggshell finish

PART #823-TB-ORDCPY-VE-KIT
PART #823-TB-ORDPOINT-V10

D-ORDER# 059802

CUSTOMER APPROVAL:

DATE: *

REV#	DATE	BY
REV#1	5/3/10	TdP
REV#2	5/10/10	TdP
REV#3	5/23/10	TdP

REV#	DATE	BY
REV#4		
REV#5		
REV#6		

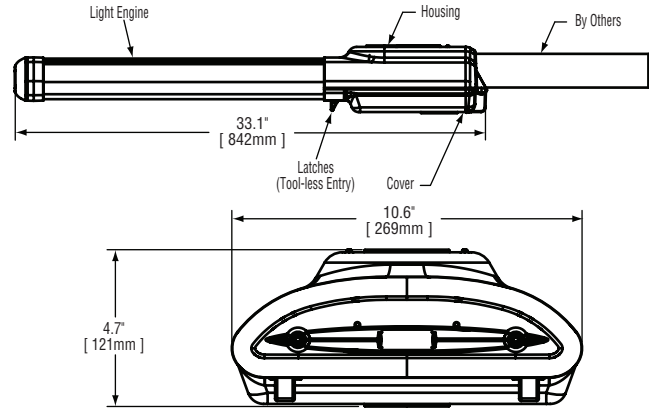
REV#	DATE	BY
REV#7		
REV#8		
REV#9		

PROJECT: TACO BELL
ADDRESS: 8045 WATT AVE., ANTELOPE, CA 95843
PHONE: * **ACCT. MGR.** PATIENCE CASEY
DESIGNER: PICKEL **SCALE:** AS NOTED **DATE:** 4/20/10

DRAWING NO.

10-125 R 3

SHEET 9 OF 11



Notes:

Product	Family	Optic	Mounting	# of LEDs (x 10)	LED Series	Voltage	Color Options	Drive Current	Factory-Installed Options
STR	LWY	4M ¹	HT ²	10 11 12	D	UL Universal 120-277V UH Universal 347-480V	SV Silver ³ BK Black ³ BZ Bronze ³ PB Platinum Bronze ³ WH White ³	700 700mA (Standard) 525 525mA 350 350mA	43K 4300K Color Temperature ⁴ DIM 0-10V Dimming ^{5,6,7} F Fuse ^{8,9} HL Hi/Low (175/350/525, dual circuit input) ^{10,11} N No Quick Disconnect Harness or Leveling Bubble ¹² PD Power Door ¹³ R NEMA Photocell Receptacle ^{8,14} SC Door Safety Tether ¹⁵ UTL Utility Option ¹⁶

Please type additional options in manually on the lines provided above.

For additional options, see IP66 spec sheet.

Footnotes

- IESNA Type IV Medium distribution
- Horizontal tenon mount
- Light engine portion of extrusion is not painted and will remain natural aluminum regardless of color selection
- Color temperature per fixture; 6000K standard; minimum 70 CRI
- Control by others
- Refer to dimming spec sheet for availability and additional information
- Can't exceed the specified drive current. Consult factory if exceeding the drive current is necessary.
- This option not available with all multi-level options. Refer to multi-level spec sheet for more information
- When code dictates fusing use time delay fuse
- Refer to multi level spec sheet for availability and additional information
- Sensor not included
- Standard product features unless N option is specified
- All connections between door and fixture are shipped unconnected from the factory; door release spring included to open door automatically when the latches are released
- Photocell by others
- Stainless steel aircraft cable
- Includes exterior wattage label that reflects watts for the drive current selected. The ability to exceed the selected drive current will be disabled.

LED PERFORMANCE SPECS

# of LEDs	Initial Delivered Lumens – Type IV Medium @ 6000K	Rating**			Initial Delivered Lumens – Type IV Medium @ 4300K	Rating**			System Watts 120-480V	Total Current @ 120V	Total Current @ 240V	Total Current @ 277V	Total Current @ 347V	Total Current @ 480V	L ₇₀ Hours* @ 25° C (77° F)	50K Hours Lumen Maintenance Factor* @ 15° C (59° F)
		B	U	G		B	U	G								
350mA Fixture Operating at 25° C (77° F)																
100	9,656 (10)	2	2	2	8,899 (10)	2	2	2	111	0.97	0.52	0.46	0.34	0.26	> 150,000	94%
110	10,559 (11)	2	2	2	9,731 (11)	2	2	2	122	1.08	0.58	0.51	0.37	0.28	> 150,000	
120	11,436 (12)	2	2	2	10,540 (12)	2	2	2	133	1.17	0.62	0.55	0.39	0.30	> 150,000	
525mA Fixture Operating at 25° C (77° F)																
100	13,518 (10)	3	3	3	12,459 (10)	3	3	3	163	1.42	0.74	0.65	0.50	0.37	139,000	93%
110	14,782 (11)	3	3	3	13,624 (11)	3	3	3	178	1.58	0.83	0.71	0.54	0.40	137,000	
120	16,011 (12)	3	3	3	14,756 (12)	3	3	3	195	1.70	0.89	0.76	0.58	0.43	133,000	
700mA (Standard) Fixture Operating at 25° C (77° F)																
100	16,898 (10)	3	3	3	15,574 (10)	3	3	3	228	1.96	1.02	0.86	0.67	0.49	116,000	91%
110	18,478 (11)	3	3	3	17,030 (11)	3	3	3	250	2.16	1.12	0.94	0.73	0.54	113,000	
120	20,013 (12)	3	3	3	18,445 (12)	3	3	3	272	2.31	1.26	1.01	0.79	0.58	108,000	

* For recommended lumen maintenance factor data see TD-13

** For more information on the IES BUG (Backlight-Uplight-Glare) Rating visit www.iesna.org/PDF/Erratas/TM-15-07BugRatingsAddendum.pdf

NOTE: All data subject to change without notice.

© 2011 BetaLED®, a division of Ruud Lighting • 1200 92nd Street • Sturtevant, WI 53177 • 800-236-6800 • www.betaLED.com



Made in the U.S.A. of U.S. and imported parts.
Meets Buy American requirements within the ARRA.



General Description

Fixture housing is all aluminum construction. Standard fixture utilizes terminal block for power input suitable for #2-#14 AWG wire and operates at 700mA. Drive current is field switchable. Fixture is designed to mount on 1.25" IP (1.66" [42mm] O.D.) and/or 2" (51mm) IP (2.375" [60mm] O.D.) horizontal tenon (minimum 8" [203mm] in length) and is adjustable +/- 5° to allow for fixture leveling (includes two axis T-level to aid in this process). Fixture carries a limited five year warranty.

Electrical

Modular design accommodates varied lighting output from high power, white, 6000K (+/- 500K per full fixture), minimum 70 CRI, long life LED sources. Optional 4300K (+/- 300K per full fixture) also available. 120-277V 50/60 Hz, Class 1 LED drivers are standard. 347-480V 50/60 Hz option is available. LED drivers have power factor >90% and THD <20% at full load. Quick disconnect harness suitable for mate and break under load provided on power feed to driver for ease of maintenance. Units provided with integral 10kV surge suppression protection standard. Surge protection tested in accordance with IEEE/ANSI C62.41.2.

Finish

Exclusive Colorfast DeltaGuard® finish features an E-Coat epoxy primer with an ultra-durable silver powder topcoat, providing excellent resistance to corrosion, ultraviolet degradation and abrasion. Bronze, black, white and platinum bronze powder topcoats are also available. The finish is covered by our 10 year limited warranty.

Fixture and finish are endurance tested to withstand 5,000 hours of elevated ambient salt fog conditions as defined in ASTM Standard B 117.

Testing & Compliance

UL listed in the U.S. and Canada for wet locations. Consult factory for CE Certified products. Meets CALTrans 611 Vibration Testing and GR-63-CORE Section 4.4.1/5.4.2 Earthquake Zone 4. Certified to ANSI C136.31-2001 bridge and overpass vibration standards. Dark Sky Friendly. IDA Approved. RoHS Compliant.

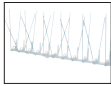
Product qualified on the Design Lights Products ("DLC") Qualified Products List ("QPL").



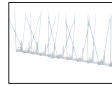
Patents

U.S. and international patents granted and pending. BetaLED is a division of Ruud Lighting, Inc. For a listing of Ruud Lighting, Inc. patents, visit www.uspto.gov.

Field-Installed Accessories



Bird Spikes for Light Engine
XA-BRDSPK120

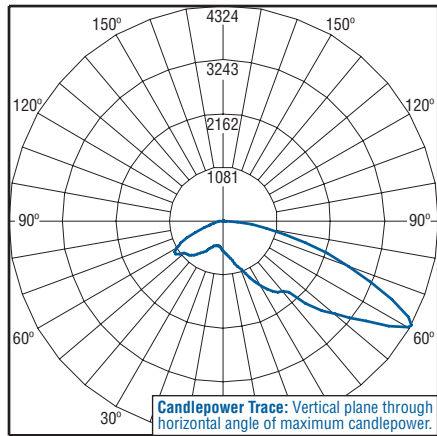


Bird Spikes Kit for Housing
XA-BRDSPKHSG

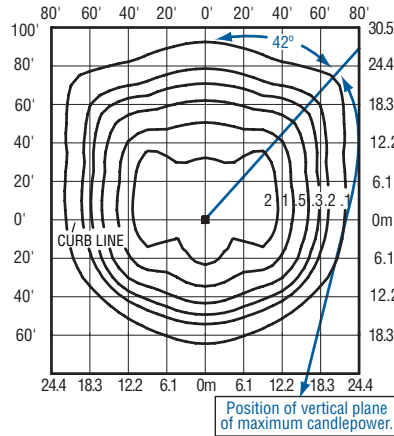
No Photo Available

1.25" IP Pipe Sealing Kit
XA-XIL125IP

Photometrics



Independent Testing Laboratories certified test. Report No. ITL64827. Candlepower trace of 6000K, 40 LED LEDway Streetlight luminaire with IESNA Type IV Medium distribution. Luminaire with 6,973 initial delivered lumens operating at 700mA. All published luminaire photometric testing performed to IESNA LM-79-08 standards.



Isofootcandle plot of 6000K, 120 LED LEDway Streetlight luminaire with IESNA Type IV Medium distribution mounted at 25' (8m) A.F.G. Luminaire with 20,013 initial delivered lumens operating at 700mA. Initial FC at grade.

LEDway® EPA & Weight Calculations

Approximate Weight 120-480V¹	
100-120 LED fixture	24.0 lbs. (10.9kg)
EPA	
Horizontal Tenon Mount	
1 fixture	0.820
EPA	
Round External Mount / Square Internal Mount Horizontal Tenons with Fixture(s)	
PT-1H/PD-1H4	Single 1.040
PT-2H(90)/PD-2H4(90)	90° Twin 1.379
PT-2H(180)/PD-2H4(180)	180° Twin 1.860
PT-3H(90)/PD-3H4(90)	90° Triple 2.044
PT-3H(120)	120° Triple 1.824
PT-4H(90)/PD-4H4(90)	90° Quad 2.448
1. Add 5 lbs. (2.3kg) for transformer in 347-480V fixtures when multi-level options are selected.	

NOTE: All data subject to change without notice.

© 2011 BetaLED®, a division of Ruud Lighting • 1200 92nd Street • Sturtevant, WI 53177 • 800-236-6800 • www.betaLED.com

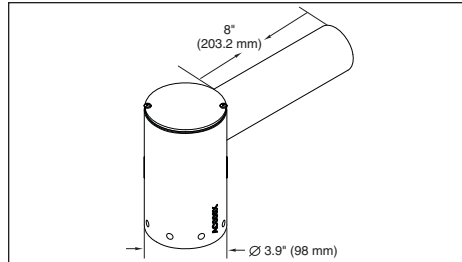


Made in the U.S.A. of U.S. and imported parts.
Meets Buy American requirements within the ARRA.

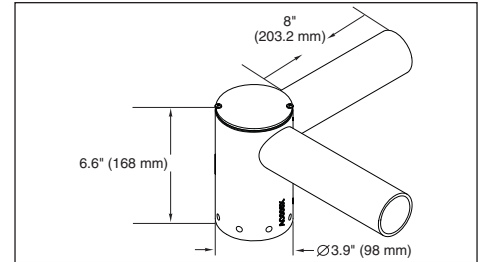




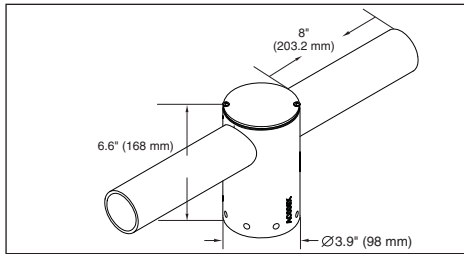
Notes:



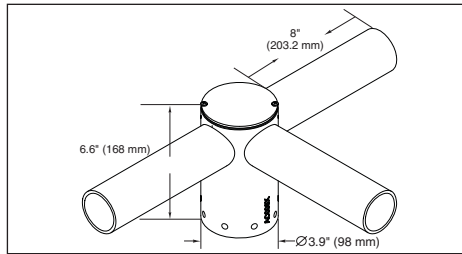
PT-1H



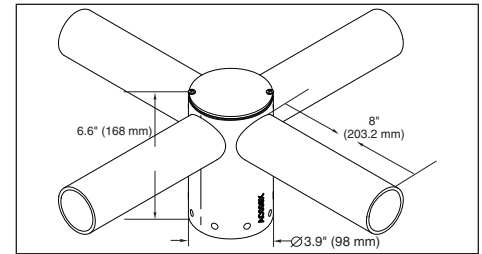
PT-2H(90)



PT-2H(180)



PT-3H(90)



PT-4H(90)

Catalog Number

Description

Color Options

PT-1H	Aluminum Single Tenon
PT-2H(90)	Aluminum 90° Twin Tenon
PT-2H(180)	Aluminum 180° Twin Tenon
PT-3H(90)	Aluminum 90° Triple Tenon
PT-4H(90)	Aluminum 90° Quad Tenon

- BZ**
- BK
- WH
- SV
- PB

General Description

The round base of the cast aluminum PT Series bracket is designed to mount over a round pole or tenon ranging in size from 2-3/8" (60 mm) to 3" (76 mm) O.D. The PT Series brackets can be mounted on a square pole, but require use of the Single Vertical Tenon (PA-1A; see sheet PA/PB Series).

Finish

Exclusive Colorfast DeltaGuard® finish features an E-coat epoxy primer with medium bronze ultra-durable powder topcoat, providing excellent resistance to corrosion, ultraviolet degradation and abrasion. The finish is covered by our seven-year limited warranty.





L+A
ARCHITECTS
INC. A.I.A.

2430 ROCHESTER COURT
SUITE 200
TROY, MICHIGAN 48063
PHONE (248) 524-4700 FAX (248) 524-9746

PROJECT NO. T12020

LISTED BENCHMARK
ELEVATIONS ON
ARCHITECTURAL
SHEETS : 0'-0" (LISTED)
= 1017.50 (ACTUAL)

DATE ISSUE

6-19-2013	UDC and PC SUBMITTAL
7-8-2013	REV. UDC & PC SUBMITTAL
8-9-2013	BIDS
9-10-2013	SITE PLAN VERIFICATION
4-1-2014	SITE LIGHTING APPROVAL
4-10-2014	AMENDED SITE LIGHTING

CONTRACT DATE: --
BUILDING TYPE: MED-NI-40
PLAN VERSION: DEC 12-A
SITE NUMBER: 309441
STORE NUMBER: --

TACO BELL
698 S. Whitney Way
Madison, WI

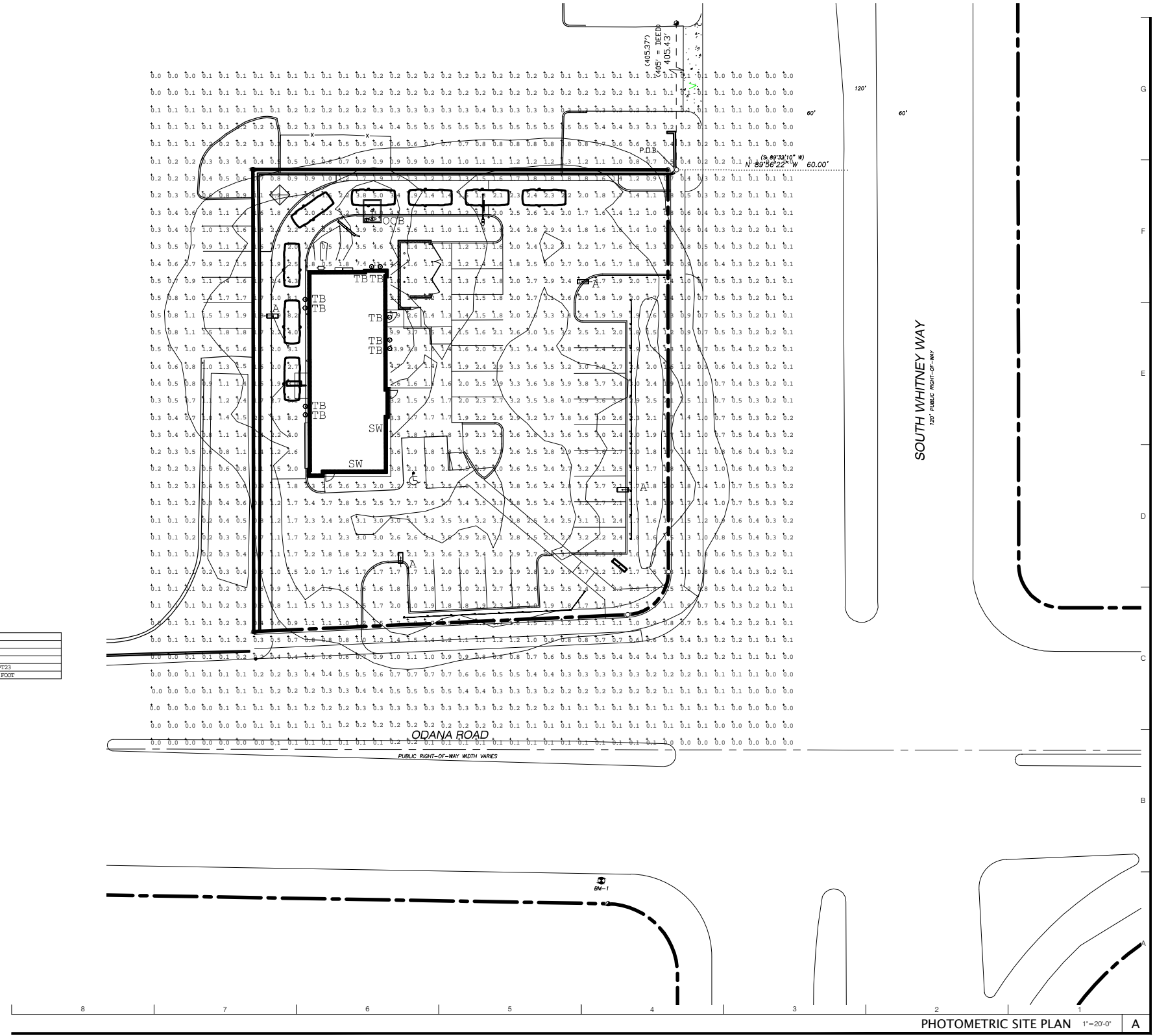


MEDIUM40-Ni

PHOTOMETRIC
SITE
PLAN

AC0.3

PLOT DATE: 4-10-14



Revised March 20, 2014 to include the illumination provided by the slat-wall and wall signs.

TACO BELL
698 S. WHITNEY WAY
MADISON, WI
PREPARED BY: JOHN BUJAKE
ACCUSERV LIGHTING & EQUIPMENT
877-707-7378
502-961-0357 FAX
jbujake@accu-serv.com
JULY 3, 2013
Revised March 20, 2014 to
include slat-wall & signs

Label	Avg	Max	Min	Avg/Min	Max/Min
FOOTCAND	1.17	13.9	0.0	N/A	N/A
VEHICULAR SURFACE	2.44	8.2	0.8	3.05	10.25

LIGHT LEVELS ARE MAINTAINED FOOT-CANLES, INITIAL LEVELS ARE SLIGHTLY HIGHER

Symbol	Qty	Label	Arrangement	Total Lamp Lumens	LLF	Lum. Watts	Description
OCB	1	OCB	SINGLE	12500	0.700	185	TACO BELL - ORDER POINT CANNOPY
TB	9	TB	SINGLE	1230	0.900	38	ACTU 05247-051-052 W 9.17" A.F.G.
A	4	A	SINGLE	N/A	0.900	271	SDS-LM7-404-07-12-3-15-82-700-48K / PT-18-R2 / 95200-425P23
SW	306	SW	SINGLE	107.5	0.900	1.64	LS-APRX-65K-G2 / LOW VOLTAGE LED MODULE / 2 MODULES PER FOOT

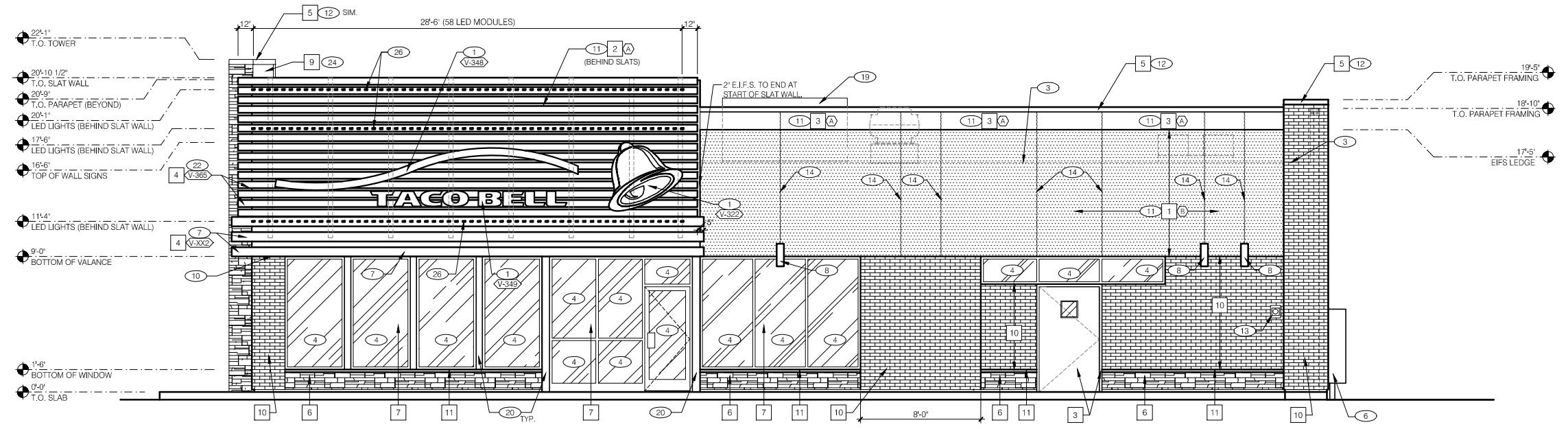
LIGHTING RESTRICTIONS: TOTAL WATTAGE FOR SITE FIXTURES NOT TO EXCEED 0.10W/S.F. OF VEHICULAR SURFACE
AVERAGE LIGHT LEVEL NOT TO EXCEED 2.5 FOOT-CANLES
MINIMUM LIGHT LEVEL TO BE 0.4 FOOT-CANLES OR GREATER
SPRINKLER MOUNTING HEIGHT NOT TO EXCEED 5.0

VEHICULAR SURFACE: 13,145 S.F.
SITE FIXTURES ARE FULL CUTOFF 271W 48K LED W/ FLAT LENSES
POLES ARE 25'-0" FOR AN OVERALL FIXTURE MOUNTING HEIGHT OF 27'-6" A.F.G.



L + A
ARCHITECTS
INC. A.I.A.
 2430 ROCHESTER COURT
 SUITE 200
 TROY, MICHIGAN 48063
 PHONE (248) 524-4700 FAX (248) 524-9746

PROJECT NO. T12020



RIGHT SIDE ELEVATION 1/4"=1'-0" **A**

LISTED BENCHMARK ELEVATIONS ON ARCHITECTURAL SHEETS : 0'-0" (LISTED) = 1017.50 (ACTUAL)

DATE	ISSUE
6-19-2013	UDC and PC SUBMITTAL
7-8-2013	REV. UDC & PC SUBMITTAL
8-9-2013	BIDS
9-10-2013	SITE PLAN VERIFICATION
4-1-2014	SITE LIGHTING APPROVAL
4-10-2014	AMENDED SITE LIGHTING

CONTRACT DATE: --
 BUILDING TYPE: MED-NI-40
 PLAN VERSION: DEC 12-A
 SITE NUMBER: 309441
 STORE NUMBER: --

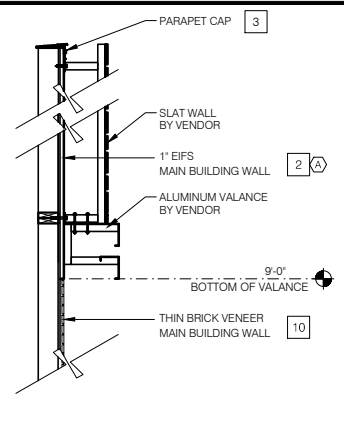
TACO BELL
 698 S. Whitney Way
 Madison, WI



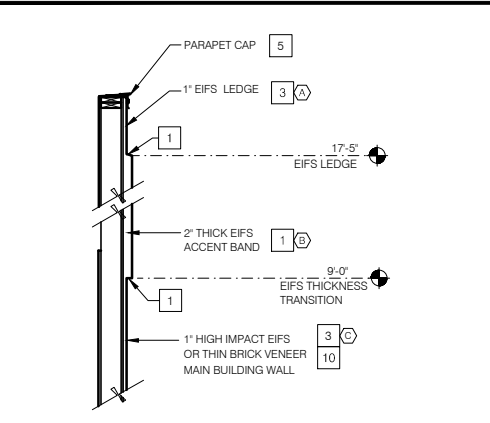
MEDIUM40-Ni
EXTERIOR ELEVATIONS

A4.0

PLOT DATE: 4-10-14



SLAT WALL COLOR TRANSITION N.T.S. **I**



EIFS THICKNESS COLOR TRANSITION N.T.S. **G**

MISCELLANEOUS
 A. SEE SHT A1.1 "WINDOW TYPES" FOR WINDOW ELEVATIONS.
 B. SEE SCOPE OF WORK FOR RESPONSIBILITIES.
 C. "HIGH IMPACT" MESH SHALL BE USED WHERE NOTED. (H)
 D. THE PAINT COLORS SHOWN ARE COLOR REFERENCES FOR THE E.I.F.S. SUPPLIER.
 E. E.I.F.S. TEXTURE SHALL BE FINE.

SEALERS (REFER TO SPECS):
 A. SEALANT AT ALL WALL AND ROOF PENETRATIONS.
 B. SEALANT AT ALL WINDOW AND DOOR FRAMES AT HEAD AND JAMB. DO NOT SEAL SILL @ WINDOWS.
 C. APPLY NEOPRENE GASKET (CONT.) BETWEEN BUILDING & CANOPY/TRELLIS.

LEGEND:
 A. VENDOR SCOPE INCLUDES SUPPLY AND INSTALLATION OF AWNINGS, CANOPIES, AND SIGNAGE. SWINGING BELL & LETTERS NOT HATCHED BUT INCLUDED.
 B. DENOTES 2" THICK EIFS

"CRITICAL" DIMENSIONS:
 A. REQUIRED CLEAR OPENING WIDTH TO ENSURE COORDINATION WITH STANDARD SIGNAGE/ BUILDING ELEMENTS DIMENSIONS.

EXTERIOR FINISH
 1. CONTACT FOR EXTERIOR FINISH #6, #7 AND #10 IS: VERSETTA STONE WALL AND BORAL THIN BRICK GENE GUETZOW 262-215-8373
 2. OWNER REPRESENTATIVE WILL IDENTIFY IF LOTUSAN PAINT WILL BE USED.

SYMBOL	AREA	MANUFACTURER	COLOR	ALTERNATE MFR.	ALTERNATE COLOR
1	MAIN BUILDING COLOR	SHERWIN WILLIAMS	SW 6122 "CAMEL BACK"	LOTUSAN	NA08-0011
2	WALL COLOR BEHIND SCREEN WALL	SHERWIN WILLIAMS	SW 6831 "CLEMATIS"		
3	ACCENT COLOR	SHERWIN WILLIAMS	SW 2823 "ROCKWOOD CLAY"	LOTUSAN	NA08-0010
4	SLAT WALL AND VALANCE COLOR	VENDOR	SW 7034 "STATUS BRONZE" (EQUAL)		
5	PARAPET CAP COLOR	25 DUROLAST	MEDIUM BRONZE (FACTORY FINISH)	SHERWIN WILLIAMS	SW 7069 "IRON ORE"
6	STONE WALL	BORAL - VERSA STONE	TIGHT CUT - "PLUM CREEK"		
7	STOREFRONT WINDOWS	TBD	"DARK BRONZE"		
8	PIPE BOLLARDS	STREET SMART	YELLOW - 1/4" THICK PLASTIC COVER (US.POSTMAN.COM) OR EQUAL		
9	PARAPET BACK ROOFING	DUROLAST	THE COLOR SHALL BE FACTORY COLORED "TAN." EQUAL ALTERNATE ALLOWED.		
10	BRICK WALL	CORONADO CAST STONE	THIN BRICK - "PALOMINO"	BELDEN BRICK	THIN BRICK - "MARIGOLD BLEND" - WIRECUT FINISH
11	STONE WAINSCOT CAP	BORAL - CULTURED STONE	"TAUPE"		

EXTERIOR FINISH SCHEDULE **H**

QTY	ITEM DESCRIPTION	ELEC
V-350 1	TACO BELL DRIVE THRU CANOPY	X
V-348 1	TACO BELL "BUILDING ACCENT"	X
V-365 1	SLAT WALL SYSTEM	
V-XX2 1	ALUMINUM VALANCE SYSTEM	

CANOPY AND BLDG. ACCENT SCHED. N.T.S. **E**

- 1 BUILDING SIGN, SEE SCOPE OF WORK.
- 2 DRIVE THRU WINDOW. SEE SHEET A1.0 AND A1.1.
- 3 ROOF BEYOND.
- 4 STOREFRONT TYPICAL.
- 5 NOT USED.
- 6 SWITCH GEAR. PAINT TO MATCH WALL.
- 7 ARCHITECTURAL ALUMINUM VALANCE BY VENDOR.
- 8 LIGHT SCONCE. ALIGN BOTTOM OF FIXTURE'S MOUNTING BRACKET WITH CHANGE IN EIFS THICKNESS. (CENTER OF BRACKET AT 9'-2").
- 9 ASSUME D/T LANE SURFACE IS 6" BELOW THE FINISH FLOOR. REFER TO GRADING & SITE PLAN.
- 10 2" EIFS TO MATCH TOP OF WINDOW HEIGHT. PROVIDE 1" EIFS ABOVE THAT POINT. SLOPE TRANSITION AWAY FROM BUILDING 1:2.
- 11 EIFS (TYP). SEE 2 & 4/A6.2.
- 12 PARAPET COPING. IF DURO-LAST EDGE TRIM IS USED. USE THE DURO-LAST PRE-FINISHED EDGE TRIM. SEE DETAIL 2/A6.0.
- 13 CO2 FILLER VALVE & COVER. SEE DETAIL 5/A6.2 SIM.
- 14 EIFS REVEAL JOINT.

GENERAL NOTES **F**

- A BASE THICKNESS - 1" THICK E.I.F.S.
- B BASE THICKNESS - 2" THICK E.I.F.S.
- C BASE THICKNESS - 1" THICK E.I.F.S. WITH HIGH IMPACT MESH (ONLY WHERE NOTED). SEE DETAIL 2/A6.2.
- D BASE THICKNESS - 2" THICK E.I.F.S. WITH HIGH IMPACT MESH (ONLY WHERE NOTED). SEE DETAIL 2/A6.2.

E.I.F.S. THICKNESS N.T.S. **B**

QTY	ITEM DESCRIPTION	ELEC
V-349 3	TACO BELL LETTERS 12" HIGH, WHITE, FLAT FACED	X
V-322 3	TACO BELL BELL SIGN 4'-10 1/2"W x 4'-6 1/4"H	X
	LED LAMPING.	

SIGN SCHEDULE N.T.S. **C**

- 15 GAS SERVICE.
- 16 WALL SHALL BE FINISHED PRIOR TO INSTALLATION OF SWITCHGEAR.
- 17 SCUPPER, COLLECTOR, AND VERTICAL DOWNSPOUT 6" MIN. PAINT TO MATCH ADJACENT WALL.
- 18 OVERFLOW SCUPPER.
- 19 RTU BEYOND. PAINT TO MATCH BUILDING WALL.
- 20 BREAK METAL COVER OVER WOOD STUDS TO MATCH STOREFRONT. SEE 3.4 & 7/A6.1
- 21 HIGH IMPACT E.I.F.S. WHERE SHOWN ON ELEVATIONS. SEE 2/A6.2.
- 22 ALUMINUM SLAT WALL BY VENDOR.
- 23 BOLLARD
- 24 DUROLAST SINGLE MEMBRANE ROOFING OR EQUAL.
- 25 IF THE DURO LAST PARAPET CAP TRIM IS USED IT SHALL NOT BE PAINTED.
- 26 SLAT-WALL LED LIGHT MODULES - 3 ROWS. ALIGN CENTERLINE OF THE MODULE ROWS AT 11'-4", 17'-6" AND 20'-1" A.F.F. - MODULES SPACED HORIZONTALLY AT 6" O.C. (2 MODULES PER LINEAR FOOT PER ROW).

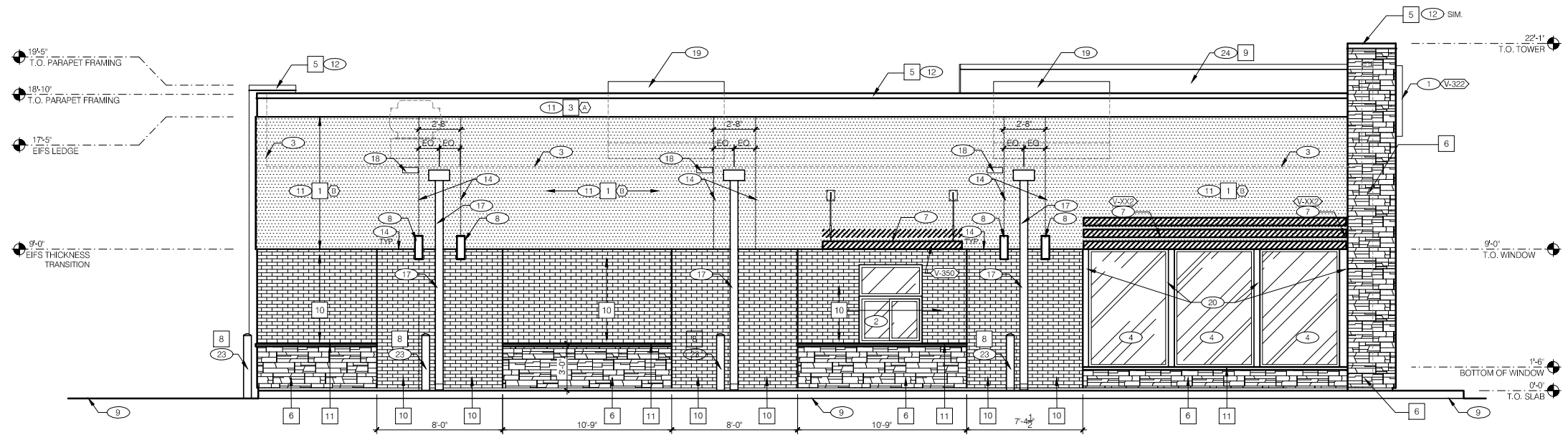
KEY NOTES **D**



L + A
ARCHITECTS
INC. A.I.A.

2430 ROCHESTER COURT
SUITE 200
TROY, MICHIGAN 48063
PHONE (248) 524-4700 FAX (248) 524-9746

PROJECT NO. T12020



LEFT SIDE ELEVATION 1/4" = 1'-0" **A**

LISTED BENCHMARK
ELEVATIONS ON
ARCHITECTURAL
SHEETS : 0'-0" (LISTED)
= 1017.50 (ACTUAL)

DATE	ISSUE
6-19-2013	UDC and PC SUBMITTAL
7-8-2013	REV. UDC & PC SUBMITTAL
8-9-2013	BIDS
9-10-2013	SITE PLAN VERIFICATION
4-1-2014	SITE LIGHTING APPROVAL
4-10-2014	AMENDED SITE LIGHTING

CONTRACT DATE:	--
BUILDING TYPE:	MED-NI-40
PLAN VERSION:	DEC 12-A
SITE NUMBER:	309441
STORE NUMBER:	--

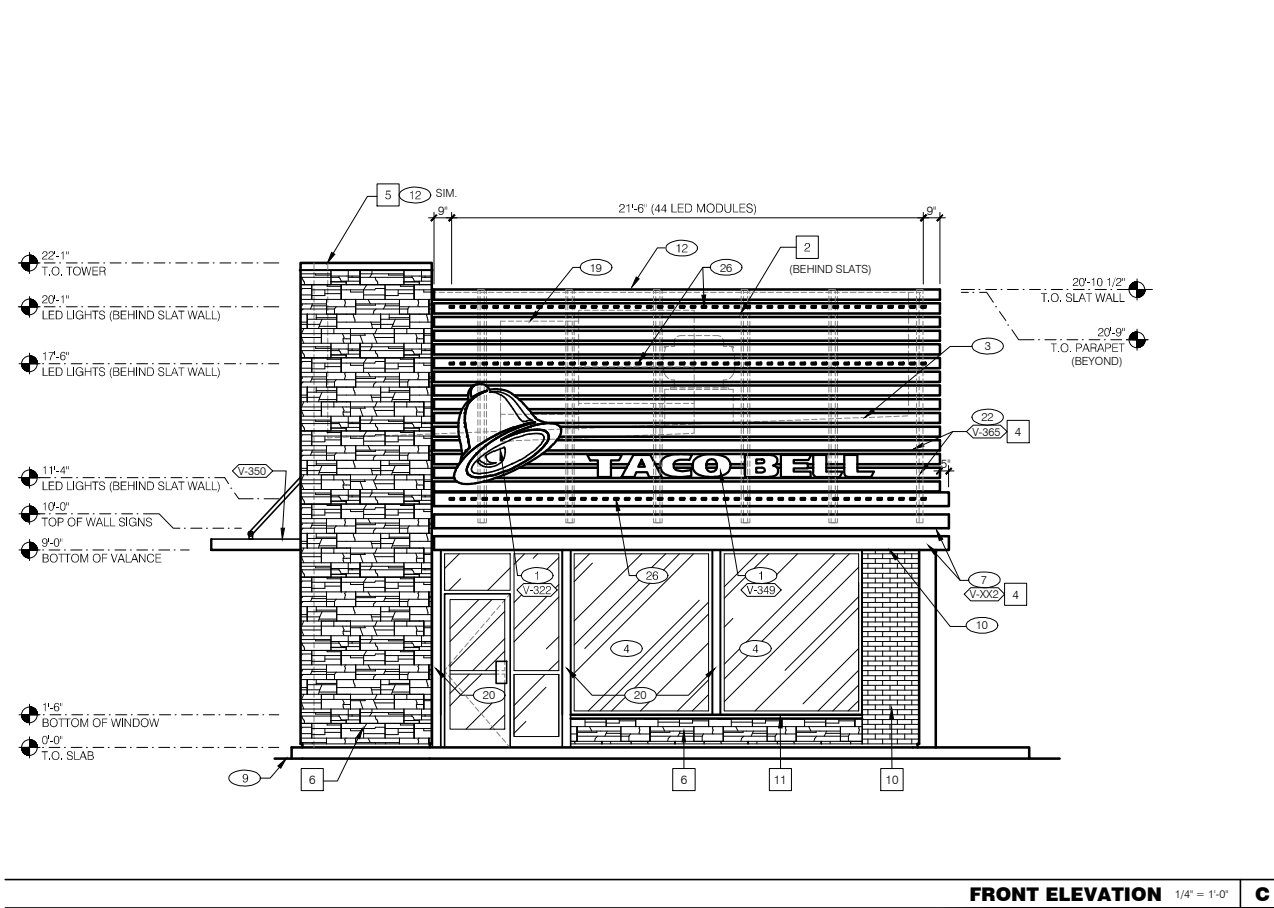
TACO BELL
698 S. Whitney Way
Madison, WI



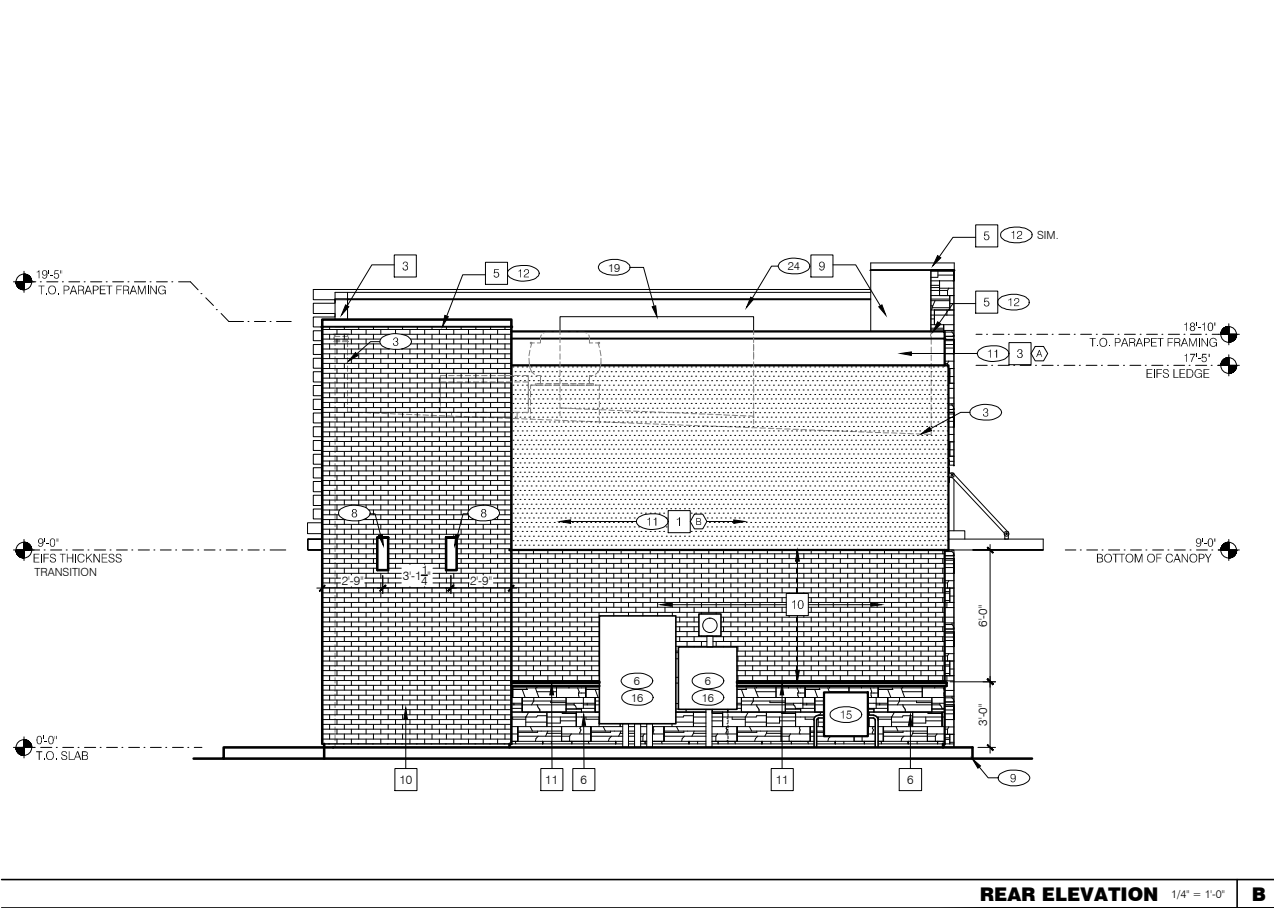
MEDIUM40-NI
**EXTERIOR
ELEVATIONS**

A4.1

PLOT DATE: 4-10-14



FRONT ELEVATION 1/4" = 1'-0" **C**



REAR ELEVATION 1/4" = 1'-0" **B**