



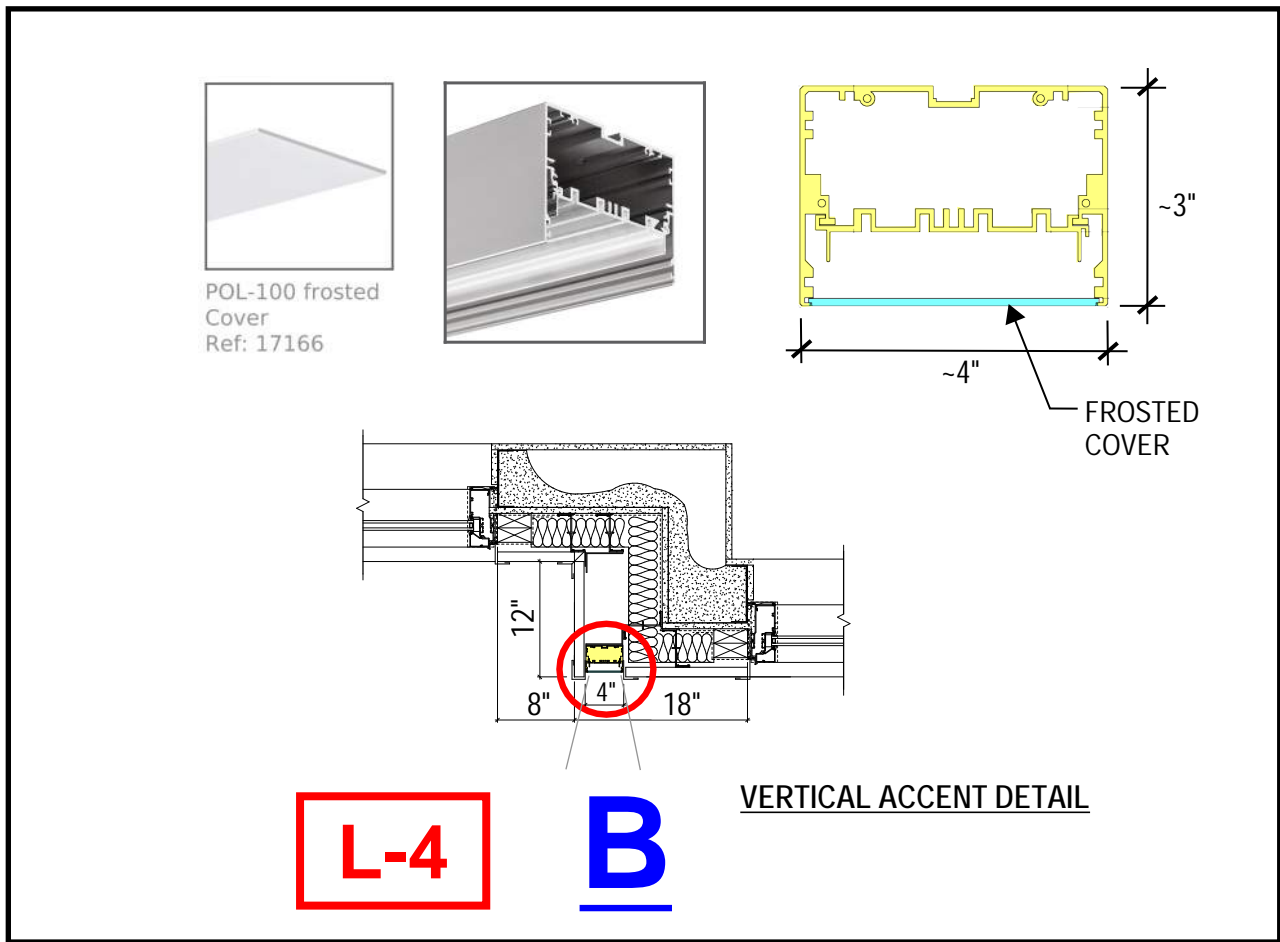
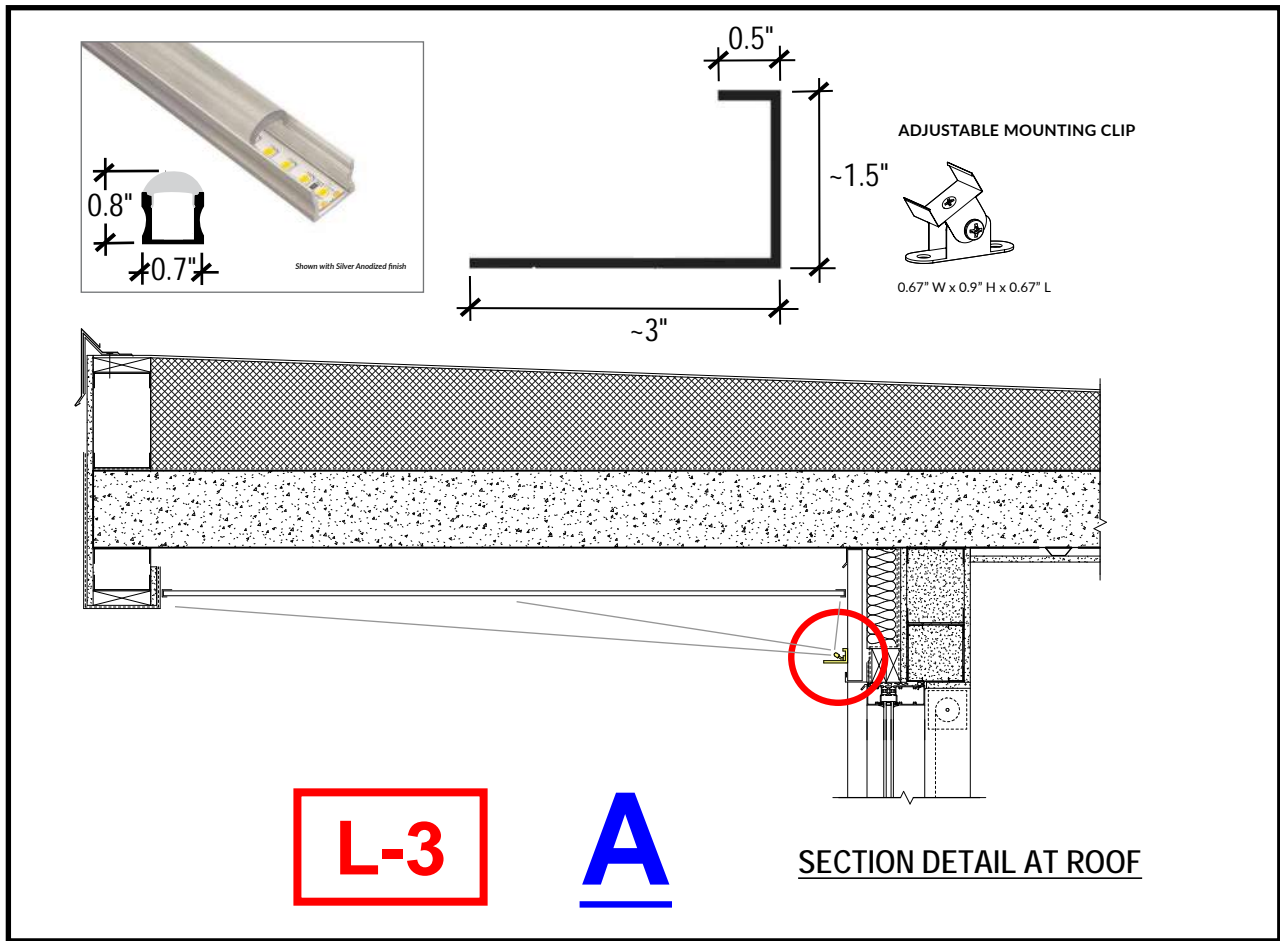
**133 W. Wilson St.  
The Moment**

Nolen Shore  
Condominiums

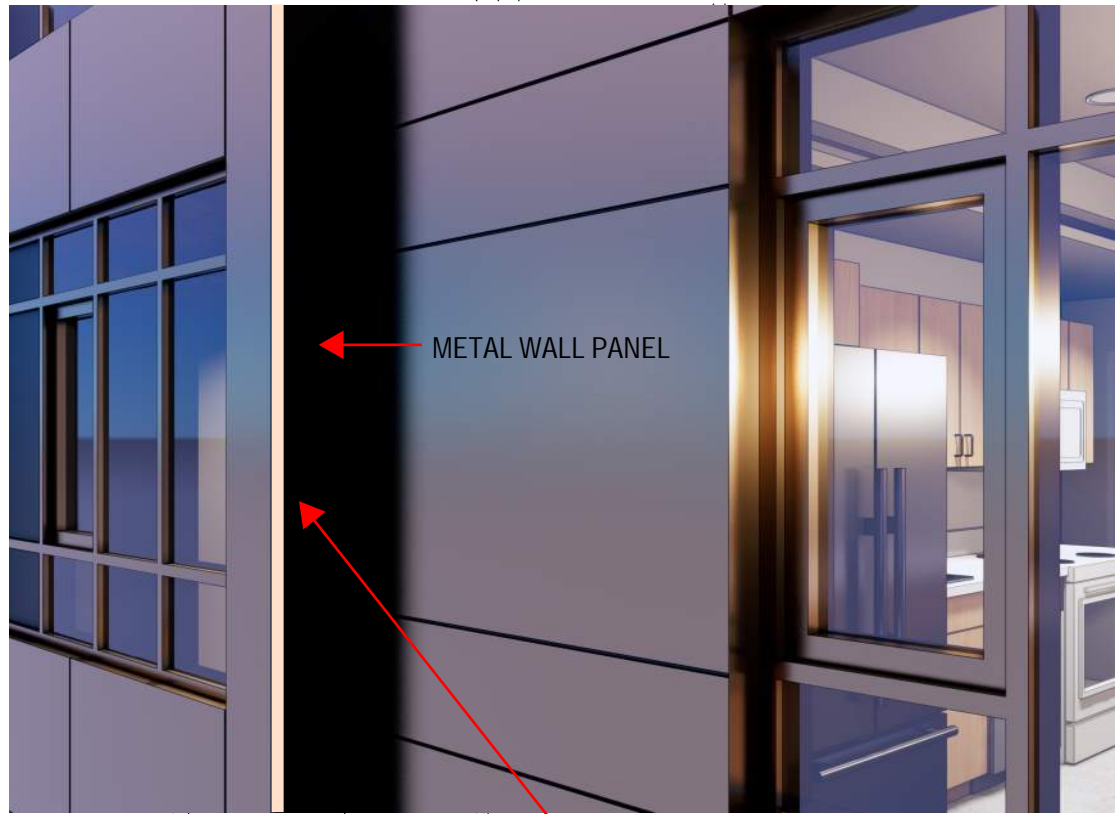
179 W. Wilson St.  
(currently under  
construction)

111 W. Wilson St.

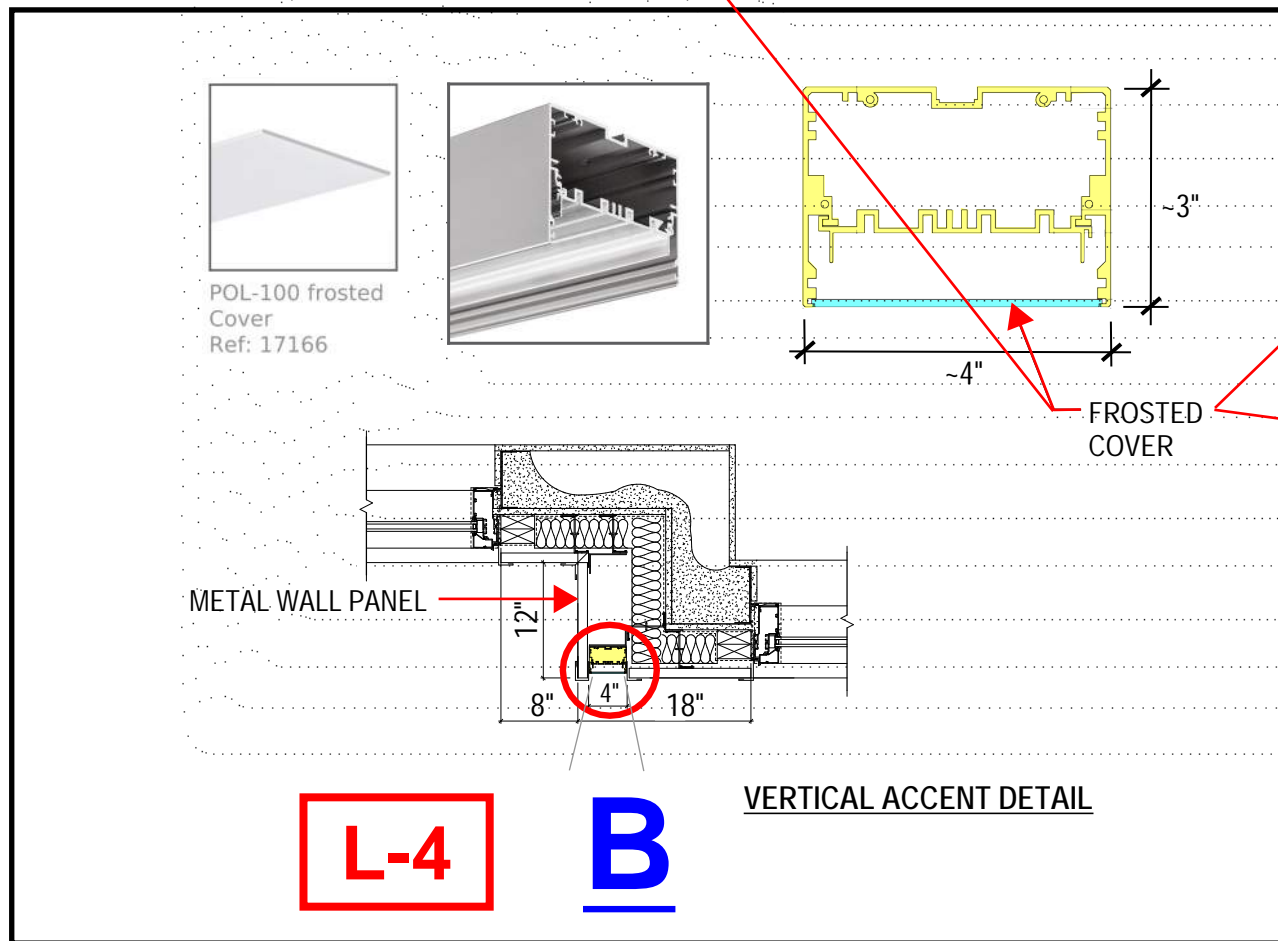








METAL WALL PANEL



# DEEP GRAZER EXTRUSION + LED TAPELIGHT Fixture Type **L3**



5 YEAR  
LIMITED  
WARRANTY



## SPECIFICATIONS

|               |   |
|---------------|---|
| FINISH        | Silver Anodized, Black Powder Coat, White Powder Coat   |
| LENS          | 15° Grazing   |
| WATTAGE       | 1.5W/ft to 7.6W/ft  |
| IP RATING     | IP20, IP65 - rating applies to tapelight, see page 2 for details  |
| CCT / COLOR   | 2200K - 5200K; RGB; RGBW; tunable white; warm fade  |
| BEAM SPREAD   | 15° typical with Grazing lens   |
| INPUT VOLTAGE | 24VDC   |
| LENGTH        | Made to order. Actual lengths vary by LED tapelight cut points. Maximum assembled length is 94in. Lengths over 94in are made with multiple sections, shipped unassembled. |
| OUTPUT        | 117 to 651 lm/ft  |
| LEDS          | Single binned LEDs +/- 30-70 CCT, MacAdam 3 SDCM  |
| MATERIAL      | Extrusion - Anodized aluminum; Lens - Polycarbonate   |
| MOUNTING      | Mounting clips recommended  |
| POWER SUPPLY  | Requires a 24V power supply - see page 5  |
| WARRANTY      | IP20 - 5 year limited, IP65 - 3 year limited  |

## FEATURES & RECOMMENDED APPLICATIONS

Surface-mount extrusion with a deep profile and 15° Clear Grazing lens. Highlight textured walls and irregular surfaces, bringing features to life. Ideal for textured plaster, brick surfaces, stone facades, wave walls, and corrugated surfaces.



PRODUCT: LLI-DEP-SG-H4.4W-30K-24V-94IN

# DEEP GRAZER EXTRUSION + LED TAPELIGHT

## ORDERING GUIDE (CONTINUED)

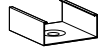

### 5. LENGTH

5. LENGTH

Enter overall extrusion length in inches. Maximum assembled length is 94in. Lengths over 94in are made with multiple sections, shipped unassembled. Overall Extrusion+LED tapelight length will be rounded down based on nearest LED tapelight cut point.

### 6. MOUNTING (OPTIONAL)

6. MOUNTING  
  
 Default [blank] - Standard Clip  
**ADJ** Adjustable Clip

|   |  |
|---|--|
| <p><b>STANDARD MOUNTING CLIP INCLUDED UNLESS OTHERWISE SPECIFIED</b></p>  <p>0.70" W x 0.68" H x 0.56" L</p> | <p><b>ADJUSTABLE MOUNTING CLIP</b></p>  <p>0.67" W x 0.9" H x 0.67" L</p> |
|---|--|

### 7-9. POWER FEED (OPTIONAL)

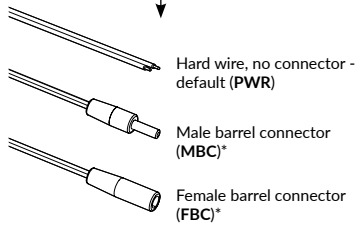
|  |  |  |
|--|--|--|
| 7. LEAD TYPE<br><input type="text" value="[blank]"/> | 8. LEAD LENGTH<br><input type="text" value="[blank]"/> | 9. FEED TYPE<br><input type="text" value="[blank]"/> |
|--|--|--|

Default [blank] - 48" hard wire end feed (PWR48EF)

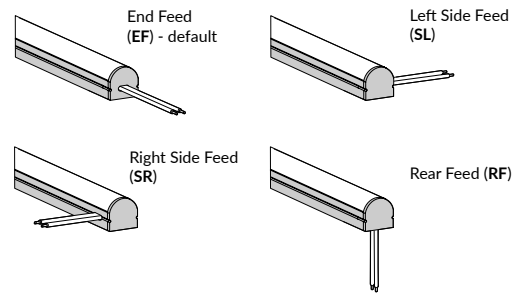
- PWR** Hard wire
- MBC\*** Male barrel
- FBC\*** Female barrel

Enter desired wire length in inches.

- EF** End Feed
- SL** Left Side Feed
- SR** Right Side Feed
- RF** Rear Feed

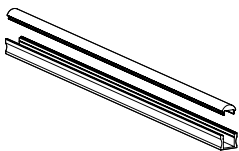


**STANDARD 48" HARD WIRE END FEED INCLUDED UNLESS OTHERWISE SPECIFIED**

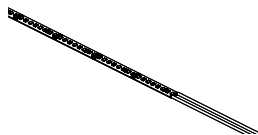


\*Barrel connectors not compatible with RGB, RGB(W), or Tunable White tapelights.

## WHAT'S INCLUDED



EXTRUSION WITH LENS



LED TAPELIGHT WITH POWER FEED



ENDCAPS

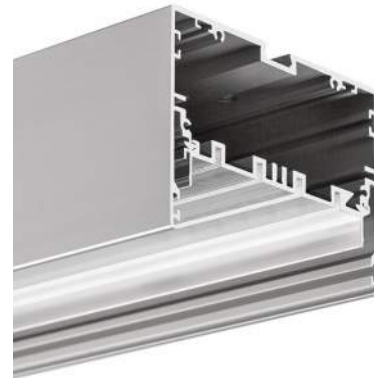


MOUNTING CLIPS

Fixture Type **L4**

**PRODUCT DESCRIPTION**

- Service is carried out from below, enabling the construction of wall-to-wall lighting fixtures
- An LED lighting fixture with a low glare rating UGR below 19 (with the JUN-100 prismatic cover) can be built
- The fixture can accommodate control electronics
- A system solution for comfortable assembly and disassembly
- Directs light downwards and upwards
- Ability to build lighting fixtures with high light output
- Resistance to vibrations - safety
- Can be combined into strings and segmented lines
- Light output can be increased with REFLEX 16-60 reflectors
- LED tapes or LED current modules can be used



**FINISH :**

Silver anodized

Fill empty fields

|              |  |
|--------------|--|
| Product nr.  |  |
| Fixture type |  |
| Company      |  |
| Job name     |  |
| Date         |  |

**TECHNICAL SPECIFICATION**

**Application**

- for the construction of advanced ceiling fixtures, mounted to the surface or in difficult installation locations

**Mounting**

- comfortable and reliable assembly,
- the possibility of using self-tapping screws.

**Additional information**

- the MOD-100 lighting fixture can be anodized or painted,
- MOD-100 lighting fixtures can produce a strong downward light beam (6 LED tapes, 10 mm wide) or 2 LED current modules 24 mm wide), and an upward beam (1 LED tape, 10 mm wide),
- MOD-100 is designed as a "core" (profile with LED tapes), which can be prepared in advance (in factory conditions),
- at the installation site, it is enough to insert the prepared "core" into the body of the fixture and connect power,
- use 2 locking bolts for each 1m of the fixture. With fixtures shorter than 1m, use at least 2 bolts.

The following covers should be used with the MOD-100 fixture:

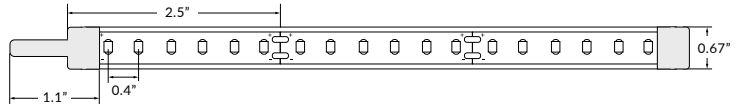
- **JUN-100 prismatic** material: PMMA, length: 59"/1.5 m, UV resistant, glare rating UGR ≤ 19 possible,





Fixture Type **L4**

# MEDIUM LUMINOSITY 3.5W LED TAPELIGHT - IP68



## TECHNICAL INFORMATION

NOTE: All data has +/- 5% tolerance.

|                  |   |
|------------------|---|
| WATTAGE          | 3.5W per foot   |
| IP RATING        | IP68 - wet locations. Protected against temporary submersion, limited protection against harsh environments.          |
| OUTPUT           | 22K - 225 lm/ft<br>27K - 235 lm/ft<br><b>30K - 243 lm/ft</b><br>35K - 249 lm/ft<br>42K - 262 lm/ft<br>52K - 271 lm/ft |
| INPUT VOLTAGE    | 24VDC   |
| OPERATING TEMP.  | -13° to 140° F  |
| CRI              | 90+   |
| CUT LENGTH       | Every 2.5", or every 6 LEDs   |
| MAXIMUM RUN      | 40 feet   |
| DIMENSIONS       | 0.67" W x 0.35" H (17mm x 9mm)  |
| ADHESIVE BACKING | Yes - VHB   |
| LIFESPAN         | 50,000 hrs  |
| WARRANTY         | 3 year limited  |
| POWER SUPPLY     | Compatible with all 24VDC power supplies - see page 4   |

### CONNECTOR OPTIONS (SOLD SEPARATELY)

Not compatible with connectors - must be fabricated to specification by factory. Use Layout Guide on page 3 to specify factory-assembled connections.

### MOUNTING OPTIONS (SOLD SEPARATELY)



ARCHITECTURAL EXTRUSIONS  
(see website, [llialighting.com](http://llialighting.com))



TAPE MOUNTING CLIP  
(sold in packs of 10)

**LLI-TAPE-CLIPS-WET-10MM**

## PART NUMBER BUILDER / ORDERING GUIDE

Example part number: LLI-L3.5W-68-27K-24V-90-96in

\*\*If a custom, pre-assembled layout is desired, please use the layout guide on page 3 to specify a layout code\*\*

| SERIES           | IP RATING | COLOR           | VOLTAGE    | CRI       | LENGTH                               |
|------------------|-----------|-----------------|------------|-----------|--------------------------------------|
| <b>LLI-L3.5W</b> | <b>68</b> | <b>30K</b>      | <b>24V</b> | <b>90</b> | <b>R016</b>                          |
|                  |           | 22K (225 lm/ft) |            |           | (enter length in inches, up to 480") |
|                  |           | 27K (235 lm/ft) |            |           |                                      |
|                  |           | 30K (243 lm/ft) |            |           |                                      |
|                  |           | 35K (249 lm/ft) |            |           |                                      |
|                  |           | 42K (262 lm/ft) |            |           |                                      |
|                  |           | 52K (271 lm/ft) |            |           |                                      |