



Uihlein-Wilson Architects
322 E. Michigan Street
Milwaukee, WI 53202

LOT 10



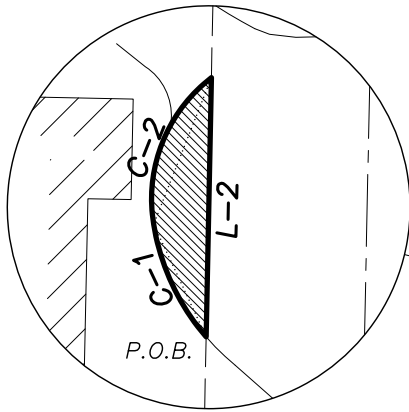
STREET DEDICATION DESCRIPTION

Part of Block 1, Original Plat of Madison, being a part of the Southwest Quarter of the Southwest Quarter of Section 14, Township 7 North, Range 9 East, City of Madison, Dane County, Wisconsin, more particularly described as follows:

Commencing at the South 1/4 corner of Section 14, aforesaid; thence North 88 degrees 45 minutes 46 seconds West along the South line of said Southwest Quarter, 1,762.27 feet to the West right-of-way line of North Park Street; thence North 01 degrees 09 minutes 39 seconds East along said right-of-way line, 683.16 feet to the Point of Beginning; thence Northwesterly 26.23 feet along an arc of a curve to the right, having a radius of 48.00 feet, the chord bearing North 24 degrees 58 minutes 40 seconds West, 25.91 feet to a point of compound curve; thence Northeasterly 34.45 feet along an arc of a curve to the right, having a radius of 32.00 feet, the chord bears North 21 degrees 31 minutes 05 seconds East, 32.81 feet to the Westerly right-of-way line of North Park Street; thence South 01 degrees 09 minutes 39 seconds West along said right-of-way line, 54.02 feet to the Point of Beginning.

Said parcel contains 439 square feet or 0.010 acres.

LAKE MENDOTA



STREET DEDICATION AREA

439 SQUARE FEET
OR 0.010 ACRES

LEGEND

- GOVERNMENT CORNER
- STREET DEDICATION
- SECTION LINE
- RIGHT-OF-WAY LINE
- CENTERLINE
- BUILDING
- CONCRETE CURB & GUTTER
- DOCK LINE

NOTES

1. BEARINGS FOR THIS SURVEY AND MAP ARE REFERENCED TO GRID NORTH OF THE WISCONSIN COUNTY COORDINATE SYSTEM, DANE COUNTY, THE SOUTH LINE OF THE SOUTHWEST QUARTER, BEARS N 88°45'46" W.
2. FIELD WORK PERFORMED BY JSD PROFESSIONAL SERVICES, INC. THE WEEK ON AUGUST 25, 2011.

LINE TABLE

LINE	BEARING	DISTANCE
L-1	N 01°09'39" E	683.16'
L-2	S 01°09'39" W	54.02'

CURVE TABLE

CURVE	LENGTH	RADIUS	DELTA	CHORD	CHORD BEARING
C-1	26.23'	48.00'	31°18'45"	25.91'	N 24°58'40" W
C-2	34.45'	32.00'	61°40'46"	32.81'	N 21°31'05" E

S.W. CORNER OF SECTION 14, T7N, R9E
FOUND BRASS CAP IN CONCRETE AT THE WITNESS
CORNER, TRUE CORNER IS IN BASCOM HALL.
BEARING AND DISTANCE IS TO TRUE CORNER.

900.79' SECTION LINE
N 88°45'46" W 2,663.06'

S. 1/4 CORNER OF
SECTION 14, T7N, R9E
FOUND BRASS CAP IN
CONCRETE.

1,762.27'

EXHIBIT

PART OF THE SOUTHWEST QUARTER OF THE SOUTHWEST QUARTER OF SECTION 14, TOWNSHIP 7 NORTH,
RANGE 9 EAST, CITY OF MADISON, DANE COUNTY, WISCONSIN

PREPARED BY:

PREPARED FOR:

PROJECT NO: 10-4071

SURVEYED BY: JK

JSD Professional Services, Inc.
• Engineers • Surveyors • Planners

UIHLEIN-WILSON
ARCHITECTS, INC.
322 E. MICHIGAN ST.,
SUITE 400
MILWAUKEE, WI 53202

FILE NO: A-232

DRAWN BY: JK

FIELDBOOK/PG: -

CHECKED BY: PRK

SHEET NO: 1 OF 1

APPROVED BY: DMJ

161 HORIZON DRIVE, SUITE 101
VERONA, WISCONSIN 53593
PHONE: (608)848-5060

