

REVISED 3/8/19 TAM

MATCHLINE 26
M-26



- Notes:
- Continental Crosswalks are 12' wide with 18" bars and 24" gaps
 - Dimensions are from center of marking and/or face of curb
 - Bike lanes are typically 6' from face of curb
 - Stop bars are typically 4' from crosswalk
 - Contact Tom Mohr, City Traffic Engineering, (608) 267-8725 with questions

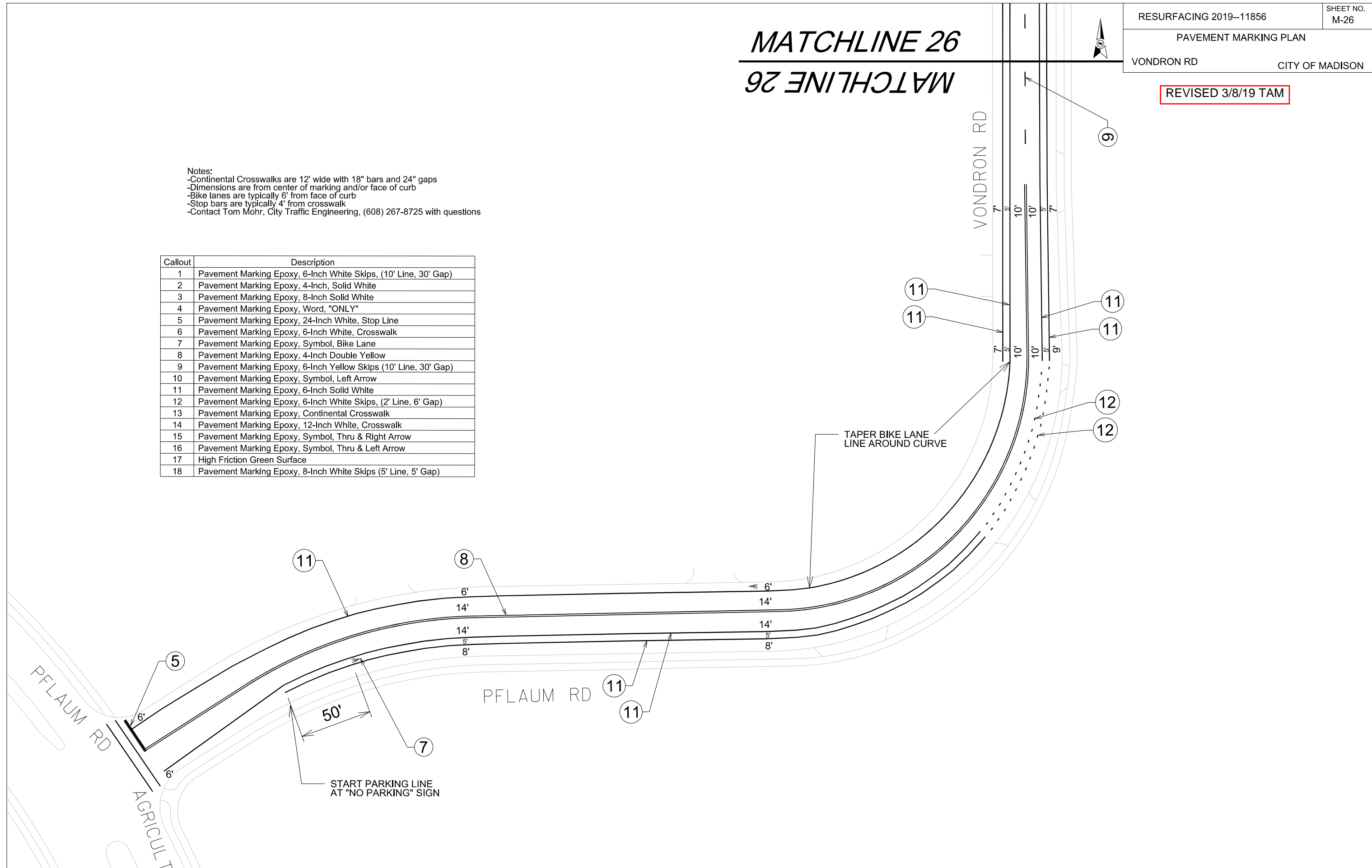
| Callout | Description |
|---------|---|
| 1 | Pavement Marking Epoxy, 6-Inch White Skips, (10' Line, 30' Gap) |
| 2 | Pavement Marking Epoxy, 4-Inch, Solid White |
| 3 | Pavement Marking Epoxy, 8-Inch Solid White |
| 4 | Pavement Marking Epoxy, Word, "ONLY" |
| 5 | Pavement Marking Epoxy, 24-Inch White, Stop Line |
| 6 | Pavement Marking Epoxy, 6-Inch White, Crosswalk |
| 7 | Pavement Marking Epoxy, Symbol, Bike Lane |
| 8 | Pavement Marking Epoxy, 4-Inch Double Yellow |
| 9 | Pavement Marking Epoxy, 6-Inch Yellow Skips (10' Line, 30' Gap) |
| 10 | Pavement Marking Epoxy, Symbol, Left Arrow |
| 11 | Pavement Marking Epoxy, 6-Inch Solid White |
| 12 | Pavement Marking Epoxy, 6-Inch White Skips, (2' Line, 6' Gap) |
| 13 | Pavement Marking Epoxy, Continental Crosswalk |
| 14 | Pavement Marking Epoxy, 12-Inch White, Crosswalk |
| 15 | Pavement Marking Epoxy, Symbol, Thru & Right Arrow |
| 16 | Pavement Marking Epoxy, Symbol, Thru & Left Arrow |
| 17 | High Friction Green Surface |
| 18 | Pavement Marking Epoxy, 8-Inch White Skips (5' Line, 5' Gap) |

PLOT SCALE:

PLOT NAME:

REV. DATE:

ORIGINATOR: CITY OF MADISON, TRAFFIC ENG. DIV.



PAVEMENT MARKING PLAN

VONDRON RD

CITY OF MADISON

REVISED 3/8/19 TAM



PLOT SCALE:

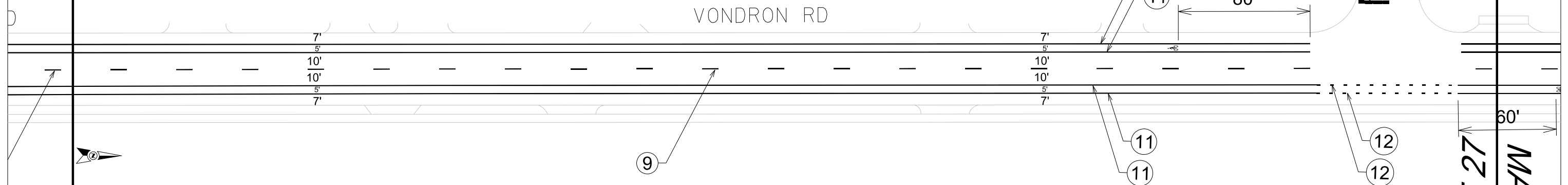
PLOT NAME:

REV. DATE:

ORIGINATOR: CITY OF MADISON, TRAFFIC ENG. DIV.

MATCHLINE 26
MATCHLINE 26

MATCHLINE 27
MATCHLINE 27



Notes:
 -Continental Crosswalks are 12' wide with 18" bars and 24" gaps
 -Dimensions are from center of marking and/or face of curb
 -Bike lanes are typically 6' from face of curb
 -Stop bars are typically 4' from crosswalk
 -Contact Tom Mohr, City Traffic Engineering, (608) 267-8725 with questions

| Callout | Description |
|---------|---|
| 1 | Pavement Marking Epoxy, 6-Inch White Skips, (10' Line, 30' Gap) |
| 2 | Pavement Marking Epoxy, 4-Inch, Solid White |
| 3 | Pavement Marking Epoxy, 8-Inch Solid White |
| 4 | Pavement Marking Epoxy, Word, "ONLY" |
| 5 | Pavement Marking Epoxy, 24-Inch White, Stop Line |
| 6 | Pavement Marking Epoxy, 6-Inch White, Crosswalk |
| 7 | Pavement Marking Epoxy, Symbol, Bike Lane |
| 8 | Pavement Marking Epoxy, 4-Inch Double Yellow |
| 9 | Pavement Marking Epoxy, 6-Inch Yellow Skips (10' Line, 30' Gap) |
| 10 | Pavement Marking Epoxy, Symbol, Left Arrow |
| 11 | Pavement Marking Epoxy, 6-Inch Solid White |
| 12 | Pavement Marking Epoxy, 6-Inch White Skips, (2' Line, 6' Gap) |
| 13 | Pavement Marking Epoxy, Continental Crosswalk |
| 14 | Pavement Marking Epoxy, 12-Inch White, Crosswalk |
| 15 | Pavement Marking Epoxy, Symbol, Thru & Right Arrow |
| 16 | Pavement Marking Epoxy, Symbol, Thru & Left Arrow |
| 17 | High Friction Green Surface |
| 18 | Pavement Marking Epoxy, 8-Inch White Skips (5' Line, 5' Gap) |

PAVEMENT MARKING PLAN

VONDRON RD

CITY OF MADISON

REVISED 3/8/19 TAM

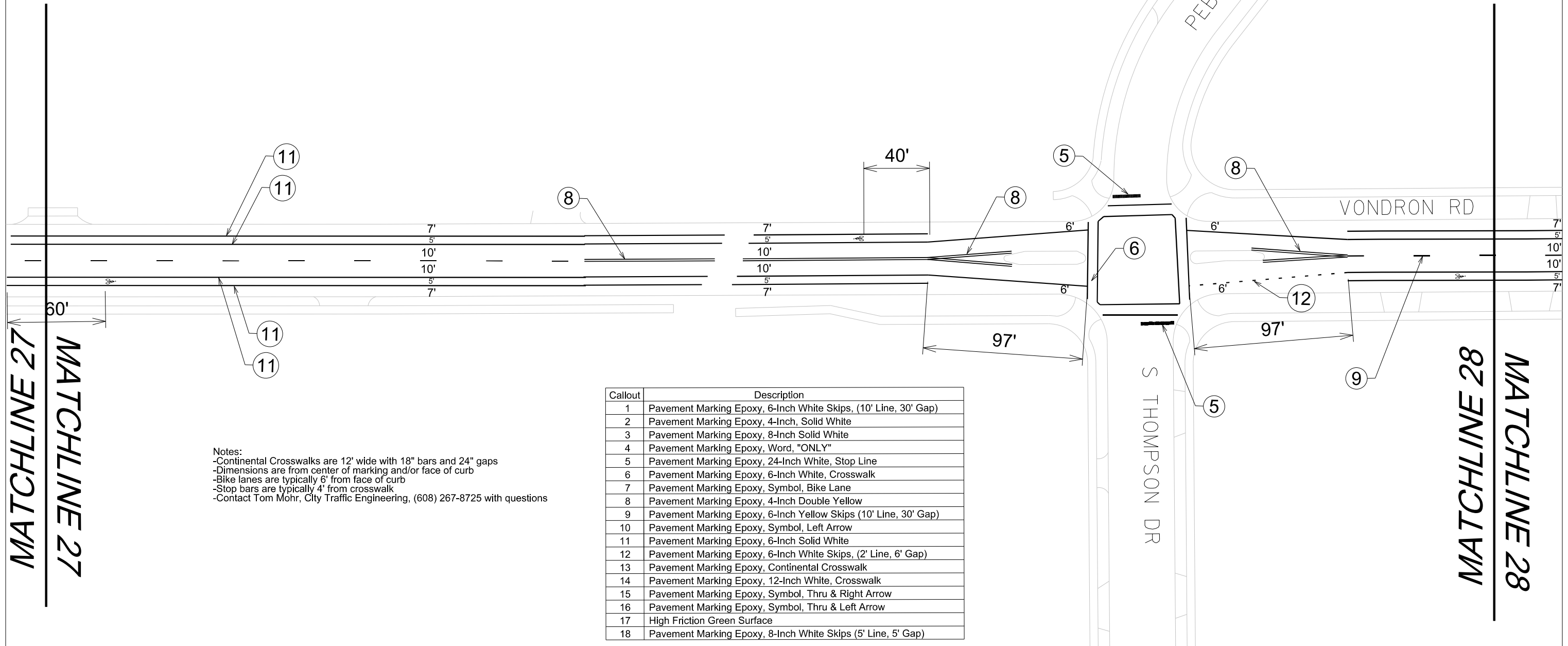


PLOT SCALE:

PLOT NAME:

REV. DATE:

ORIGINATOR: CITY OF MADISON, TRAFFIC ENG. DIV.



Notes:
 -Continental Crosswalks are 12' wide with 18" bars and 24" gaps
 -Dimensions are from center of marking and/or face of curb
 -Bike lanes are typically 6' from face of curb
 -Stop bars are typically 4' from crosswalk
 -Contact Tom Mohr, City Traffic Engineering, (608) 267-8725 with questions

| Callout | Description |
|---------|---|
| 1 | Pavement Marking Epoxy, 6-Inch White Skips, (10' Line, 30' Gap) |
| 2 | Pavement Marking Epoxy, 4-Inch, Solid White |
| 3 | Pavement Marking Epoxy, 8-Inch Solid White |
| 4 | Pavement Marking Epoxy, Word, "ONLY" |
| 5 | Pavement Marking Epoxy, 24-Inch White, Stop Line |
| 6 | Pavement Marking Epoxy, 6-Inch White, Crosswalk |
| 7 | Pavement Marking Epoxy, Symbol, Bike Lane |
| 8 | Pavement Marking Epoxy, 4-Inch Double Yellow |
| 9 | Pavement Marking Epoxy, 6-Inch Yellow Skips (10' Line, 30' Gap) |
| 10 | Pavement Marking Epoxy, Symbol, Left Arrow |
| 11 | Pavement Marking Epoxy, 6-Inch Solid White |
| 12 | Pavement Marking Epoxy, 6-Inch White Skips, (2' Line, 6' Gap) |
| 13 | Pavement Marking Epoxy, Continental Crosswalk |
| 14 | Pavement Marking Epoxy, 12-Inch White, Crosswalk |
| 15 | Pavement Marking Epoxy, Symbol, Thru & Right Arrow |
| 16 | Pavement Marking Epoxy, Symbol, Thru & Left Arrow |
| 17 | High Friction Green Surface |
| 18 | Pavement Marking Epoxy, 8-Inch White Skips (5' Line, 5' Gap) |

PAVEMENT MARKING PLAN

VONDRON RD

CITY OF MADISON

REVISED 3/8/19 TAM

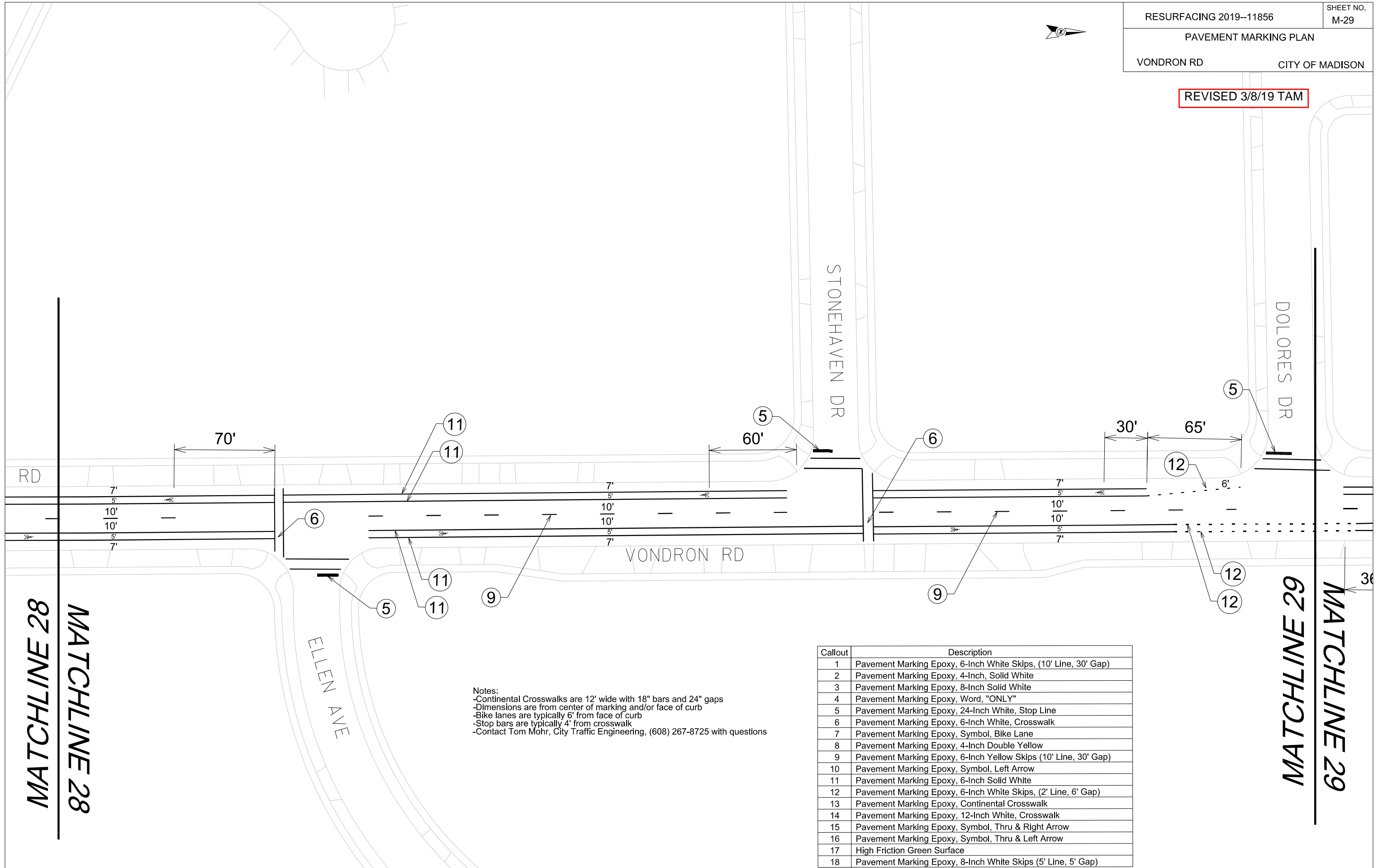


PLOT SCALE:

PLOT NAME:

REV. DATE:

ORIGINATOR: CITY OF MADISON, TRAFFIC ENG. DIV.



Notes:
 -Continental Crosswalks are 12' wide with 18" bars and 24" gaps
 -Dimensions are from center of marking and/or face of curb
 -Bike lanes are typically 6' from face of curb
 -Stop bars are typically 4' from crosswalk
 -Contact Tom Mohr, City Traffic Engineering, (608) 267-8725 with questions

| Callout | Description |
|---------|---|
| 1 | Pavement Marking Epoxy, 6-Inch White Skips, (10' Line, 30' Gap) |
| 2 | Pavement Marking Epoxy, 4-Inch, Solid White |
| 3 | Pavement Marking Epoxy, 8-Inch Solid White |
| 4 | Pavement Marking Epoxy, Word, "ONLY" |
| 5 | Pavement Marking Epoxy, 24-Inch White, Stop Line |
| 6 | Pavement Marking Epoxy, 6-Inch White, Crosswalk |
| 7 | Pavement Marking Epoxy, Symbol, Bike Lane |
| 8 | Pavement Marking Epoxy, 4-Inch Double Yellow |
| 9 | Pavement Marking Epoxy, 6-Inch Yellow Skips (10' Line, 30' Gap) |
| 10 | Pavement Marking Epoxy, Symbol, Left Arrow |
| 11 | Pavement Marking Epoxy, 6-Inch Solid White |
| 12 | Pavement Marking Epoxy, 6-Inch White Skips, (2' Line, 6' Gap) |
| 13 | Pavement Marking Epoxy, Continental Crosswalk |
| 14 | Pavement Marking Epoxy, 12-Inch White, Crosswalk |
| 15 | Pavement Marking Epoxy, Symbol, Thru & Right Arrow |
| 16 | Pavement Marking Epoxy, Symbol, Thru & Left Arrow |
| 17 | High Friction Green Surface |
| 18 | Pavement Marking Epoxy, 8-Inch White Skips (5' Line, 5' Gap) |

PAVEMENT MARKING PLAN

VONDRON RD

CITY OF MADISON

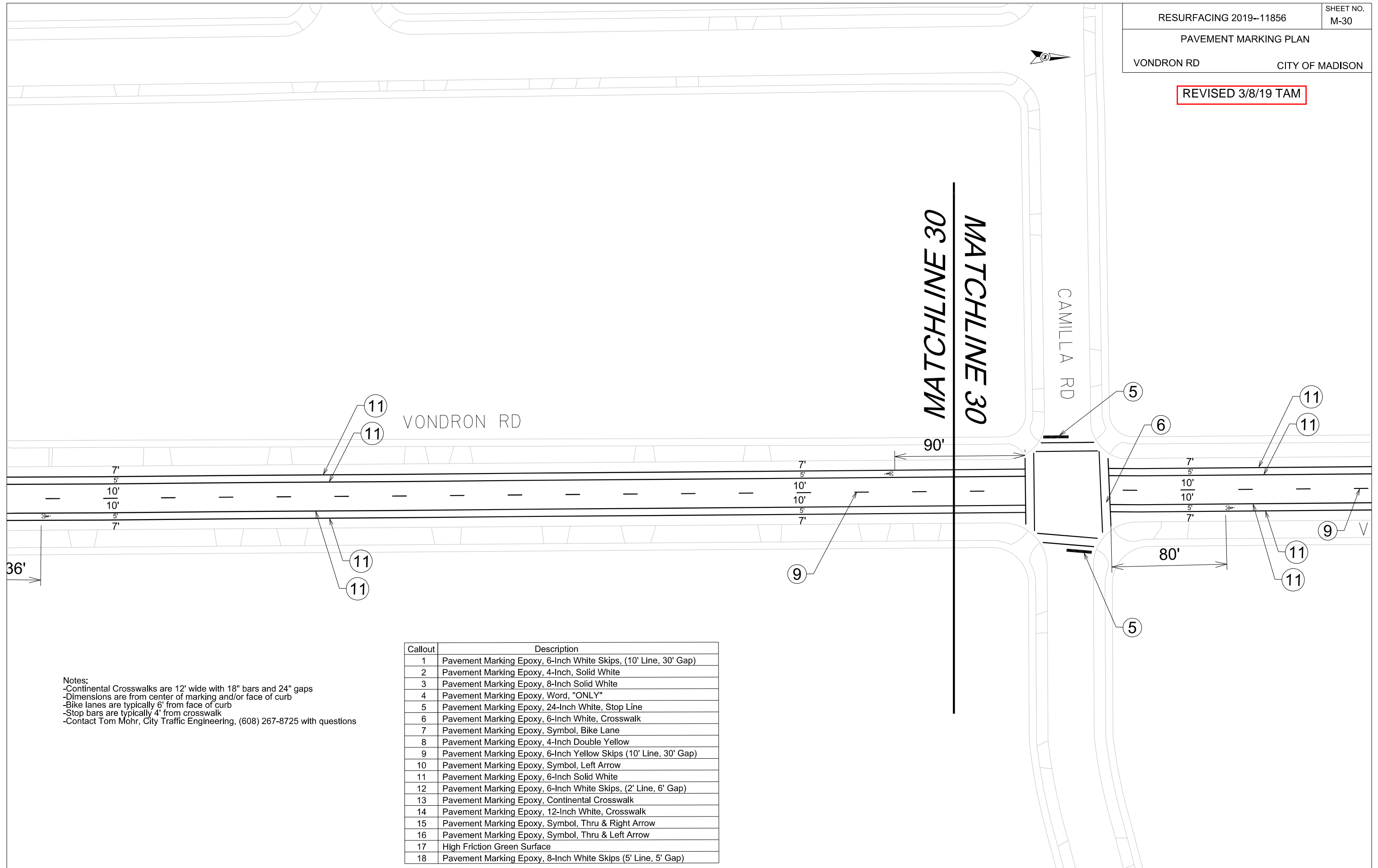
REVISED 3/8/19 TAM

PLOT SCALE:

PLOT NAME:

REV. DATE:

ORIGINATOR: CITY OF MADISON, TRAFFIC ENG. DIV.



Notes:
 -Continental Crosswalks are 12' wide with 18" bars and 24" gaps
 -Dimensions are from center of marking and/or face of curb
 -Bike lanes are typically 6' from face of curb
 -Stop bars are typically 4' from crosswalk
 -Contact Tom Mohr, City Traffic Engineering, (608) 267-8725 with questions

| Callout | Description |
|---------|---|
| 1 | Pavement Marking Epoxy, 6-Inch White Skips, (10' Line, 30' Gap) |
| 2 | Pavement Marking Epoxy, 4-Inch, Solid White |
| 3 | Pavement Marking Epoxy, 8-Inch Solid White |
| 4 | Pavement Marking Epoxy, Word, "ONLY" |
| 5 | Pavement Marking Epoxy, 24-Inch White, Stop Line |
| 6 | Pavement Marking Epoxy, 6-Inch White, Crosswalk |
| 7 | Pavement Marking Epoxy, Symbol, Bike Lane |
| 8 | Pavement Marking Epoxy, 4-Inch Double Yellow |
| 9 | Pavement Marking Epoxy, 6-Inch Yellow Skips (10' Line, 30' Gap) |
| 10 | Pavement Marking Epoxy, Symbol, Left Arrow |
| 11 | Pavement Marking Epoxy, 6-Inch Solid White |
| 12 | Pavement Marking Epoxy, 6-Inch White Skips, (2' Line, 6' Gap) |
| 13 | Pavement Marking Epoxy, Continental Crosswalk |
| 14 | Pavement Marking Epoxy, 12-Inch White, Crosswalk |
| 15 | Pavement Marking Epoxy, Symbol, Thru & Right Arrow |
| 16 | Pavement Marking Epoxy, Symbol, Thru & Left Arrow |
| 17 | High Friction Green Surface |
| 18 | Pavement Marking Epoxy, 8-Inch White Skips (5' Line, 5' Gap) |

PAVEMENT MARKING PLAN

VONDRON RD

CITY OF MADISON

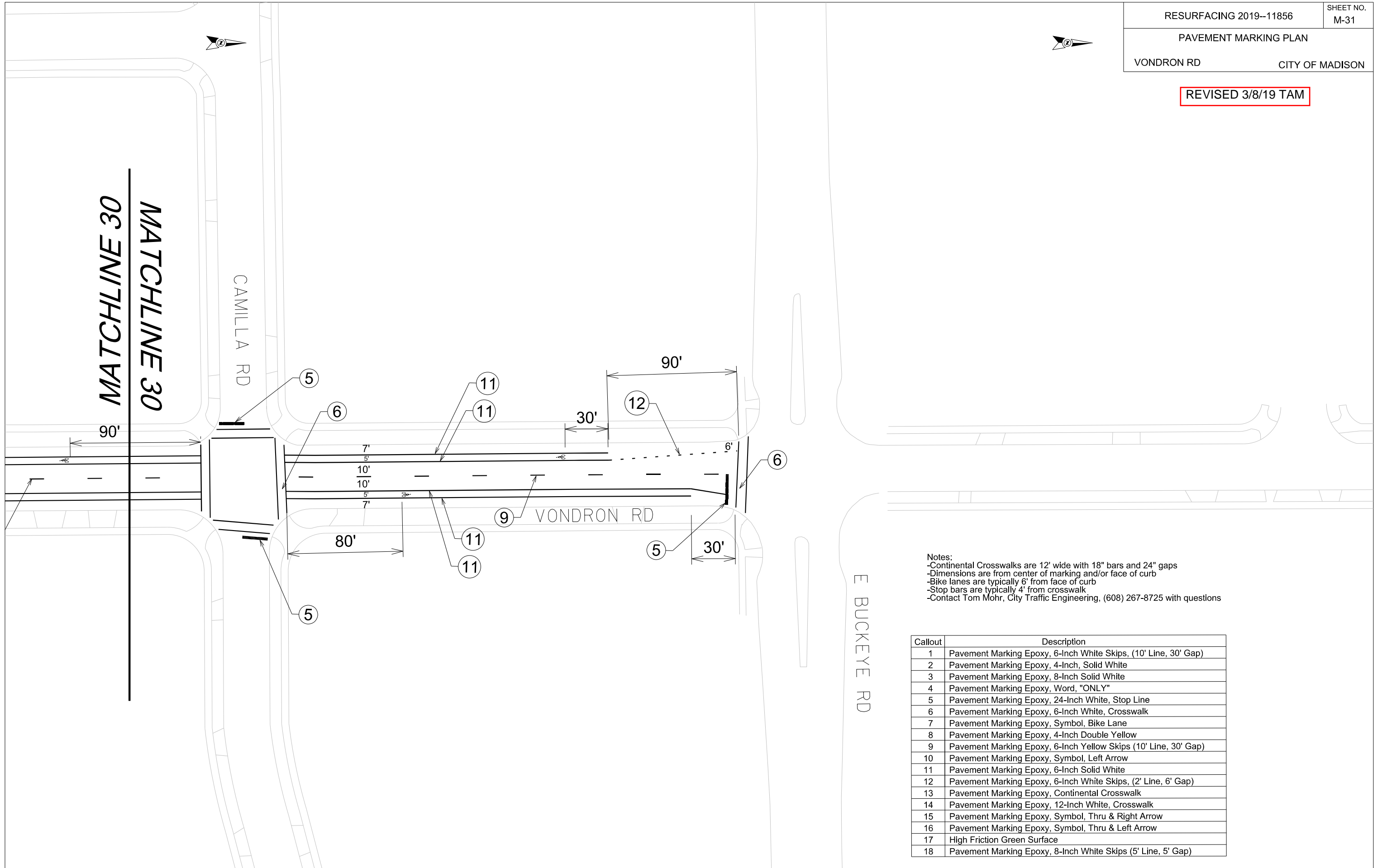
REVISED 3/8/19 TAM

PLOT SCALE:

PLOT NAME:

REV. DATE:

ORIGINATOR: CITY OF MADISON, TRAFFIC ENG. DIV.



- Notes:
- Continental Crosswalks are 12' wide with 18" bars and 24" gaps
 - Dimensions are from center of marking and/or face of curb
 - Bike lanes are typically 6' from face of curb
 - Stop bars are typically 4' from crosswalk
 - Contact Tom Mohr, City Traffic Engineering, (608) 267-8725 with questions

| Callout | Description |
|---------|---|
| 1 | Pavement Marking Epoxy, 6-Inch White Skips, (10' Line, 30' Gap) |
| 2 | Pavement Marking Epoxy, 4-Inch, Solid White |
| 3 | Pavement Marking Epoxy, 8-Inch Solid White |
| 4 | Pavement Marking Epoxy, Word, "ONLY" |
| 5 | Pavement Marking Epoxy, 24-Inch White, Stop Line |
| 6 | Pavement Marking Epoxy, 6-Inch White, Crosswalk |
| 7 | Pavement Marking Epoxy, Symbol, Bike Lane |
| 8 | Pavement Marking Epoxy, 4-Inch Double Yellow |
| 9 | Pavement Marking Epoxy, 6-Inch Yellow Skips (10' Line, 30' Gap) |
| 10 | Pavement Marking Epoxy, Symbol, Left Arrow |
| 11 | Pavement Marking Epoxy, 6-Inch Solid White |
| 12 | Pavement Marking Epoxy, 6-Inch White Skips, (2' Line, 6' Gap) |
| 13 | Pavement Marking Epoxy, Continental Crosswalk |
| 14 | Pavement Marking Epoxy, 12-Inch White, Crosswalk |
| 15 | Pavement Marking Epoxy, Symbol, Thru & Right Arrow |
| 16 | Pavement Marking Epoxy, Symbol, Thru & Left Arrow |
| 17 | High Friction Green Surface |
| 18 | Pavement Marking Epoxy, 8-Inch White Skips (5' Line, 5' Gap) |