

Qty	Label	LLF	MFG	Description	Lum. Watts	Total Watts	Lum. Lumens
10	OB1	0.950	KUZCO	EB45624-LUNV	24	240	1269
4	OB4H	0.950	US ARCH	PAC18-PT2-LED-IV-FT-20LED-525mA-xk-HS + 9' POE + 1' BASE	35.5	142	3377
1	OB5	0.950	US ARCH	PAC18-PT2-LED-VSO-W-20LED-525mA-xk + 9' POLE + 1' BASE	35.5	35.5	4725
2	OC4H	0.950	LITHONIA	DSX0 LED P1 xk 80CRI T3M HS + 10' POLE + 2' BASE	33	66	3617
7	OC4H	0.950	LITHONIA	DSX0 LED P1 30K 80CRI T3M HS + 10' POLE + 2' BASE	33	231	3576
4	OD1	0.950	LITHONIA	LDN4 ALQ2 SWW1 LOAR LSS 80CRI (1000LM)	13	52	1355
11	OP1	0.320	FC LTG	FCC50400 10 WM UNV 9x10L D50	10	110	3021
1	OW2	0.950	LITHONIA	WIDGE2 LED P0 xk 80CRI T1S	7	7	666
3	OW3	0.950	LITHONIA	WIDGE2 LED P4 xk 70CRI T1TM	47	141	4402
3	OW4	0.950	LITHONIA	WIDGE1 LED P0 30K 80CRI VF	7	21	718

Label	CalcType	Units	Avg	Max	Min	AvgMin	MaxMin
Presumed Property Line @ 4FT	Illuminance	Fc	0.02	0.25	0.00	NA	NA
Drive	Illuminance	Fc	1.00	3.0	0.2	5.00	15.00
East Parking Area	Illuminance	Fc	1.69	3.0	0.6	2.82	5.00
North Parking Area	Illuminance	Fc	1.45	2.9	0.5	2.90	5.80
Pool Area	Illuminance	Fc	3.78	11.1	1.3	2.91	8.54

#	DATE	COMMENTS
REVISIONS		

DRAWN BY : JT
 DATE : APRIL 8, 2024
 SCALE : 1" = 30'

OLD SAUK ROAD
 MADISON, WISCONSIN
 SITE LIGHTING LAYOUT



EVANS EB45624-UNV

BOLLARDS

PROJECT



EB45624-BK-UNV
Black

SPECIFICATION DETAILS

Fixture Dimensions	L5-1/8" x W5-3/4" x H24-1/8"
Light Source	LED with DC Driver
Wattage	24W
Total Lumens	2040lm
Delivered Lumens	1270lm
Voltage	120-277V
Color Temperature	3000K
CRI (Ra)	90CRI
Optional Color Temps	2700K - 5000K Available, Minimum Order Quantities Apply
LED Rated Life	50,000 hours
Dimming	100% - 10%, TRIAC or ELV Dimmer (Not Included)
Diffuser Details	Clear Acrylic TIR Optical Array
Location	Wet, IP65
Illumination Direction	T2 ILLUMINATION
Material	Heavy Cast Aluminum
Dark Sky	Yes

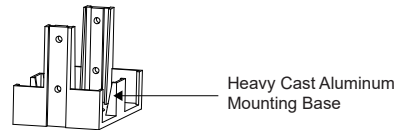
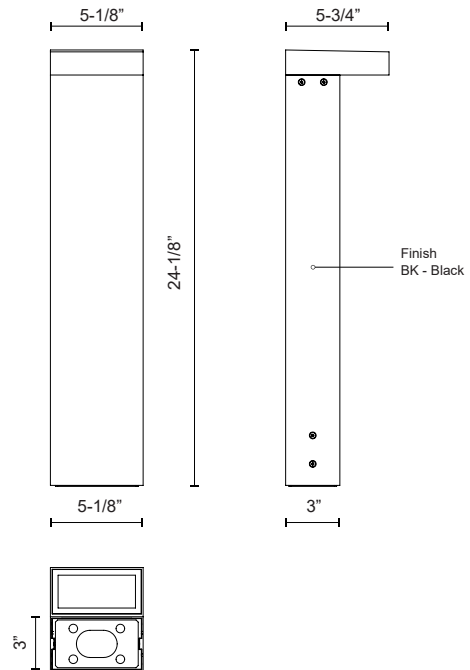
* For custom options, consult factory for details.

* For warranty information, please visit www.kuzcolighting.com/warranty

DESCRIPTION

Meet Evans, the epitome of contemporary outdoor lighting. Our Evans bollard fixture series combines sleek, modern design with integrated LED path-facing lighting, making it the ideal choice for illuminating your outdoor spaces in style. Crafted in a sophisticated matte black finish, Evans boasts a timeless rectangular shape that effortlessly blends with any exterior aesthetic.

- Modern, timeless design
- Heavy cast aluminum body
- T2 Illumination
- IP65 compliant
- Wet rated for exterior use
- IK10 Constructed Body



KUZCO

CANADA: 19054 28TH AVENUE - SURREY, BC V3Z 6M3

USA: 3035 E. LONE MOUNTAIN ROAD - LAS VEGAS, NV 89081

WWW.KUZCOLIGHTING.COM

© 2024 KUZCO LIGHTING. ALL RIGHTS RESERVED.

COMMENT



Pacifica - PT2 PLED

CONTEMPORARY, ROUND FORM POST TOP LUMINAIRE

PROJECT NAME: _____

PROJECT TYPE: _____

Luminaire

All housing components are all heavy wall cast aluminum alloy (A356 alloy, <0.2% copper). Removable internal heatsink provides direct mounting of the LED modules and thermal control for long life and efficiency. Optical axis through the aperture of housing top. Driver is accessed through filter cap at strut base. All Hardware is stainless steel.

Post Top Mounting

Luminaire fitter mounts over 2-7/8" O.D. x 3.00" tenon. Stainless steel set screws provided for leveling and securing fixture over tenon.

PLED™ Optics

Emitters (LED's) are arrayed on a metal core PCB panel with each emitter located on a copper thermal transfer pad and enclosed by an LED refractor. LED optics completely seal each individual emitter to meet an IP66 rating. In asymmetric distributions, a micro-reflector inside the refractor re-directs the house side emitter output towards the street side, maximizing usable light. Optional house side shields are available that cover each individual optic. Refractors are injection molded H12 acrylic. Each LED refractor is sealed to the PCB over an emitter and all refractors are retained by an aluminum frame. Any one Panel, or group of Panels in a luminaire, have the same optical pattern. LED refractors produce standard site/area distributions. Panels are field replaceable and field rotatable in 90° increments. Quick-disconnects are provided above each panel for fast field replacement. All fixture optical options will provide a "U0" no uplight optical package and are dark sky friendly.

Ambience™ Low Luminance Lens

Optional Ambience Lens (AL) provides low luminance reduced glare distributions. Lens diffuses the PLED Optics and provides a more uniform luminance across the aperture reducing glare at all angles. Lens is provided with an aluminum frame and is sealed to the housing with high temp gasketing.

LED Emitters

LED thermal management is designed to maintain LED operating temperature below 90 °C, well below the manufacturers thermal max of 150 °C for long life, high lumen maintenance and color stability. High Power White LED's are driven between 350mA and 875mA for a maximum output of 2.5 Watts nominal. LED's are available in standard Warm White (2700K & 3000K), Neutral White (4000K), and Cool White (5000K). All Standard LED's have a minimum of 70 CRI. Consult Factory for other LED options. Lumen Maintenance of L93 at 100,000 hours (TM-21 calculated at 6x Test Time).

True Amber LED's TRA-True Amber LED's emit light in the amber spectral bandwidth centered on 585-590nm. True Amber has negligible blue light and is suitable for wildlife.

LED Driver

Constant current electronic with a power factor of >.90 and a minimum operating temperature of -40°F/-40°C. Driver(s) is/are UL and cUL recognized. In-line terminal blocks facilitate wiring between the driver and optical arrays. Drivers accept an input of 120-277V, 50/60Hz or 347V-480V, 50/60Hz. 0 - 10V dimmable driver is standard. Driver has a minimum of 3KV internal surge protection. Luminaire supplied with a separate 20KV surge protector for field installation.

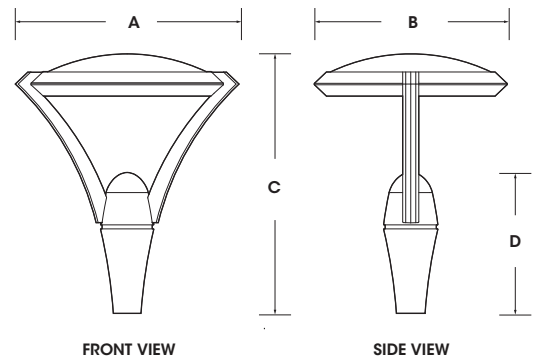
Finish

Super TGIC polyester powder coating is applied onto a metal substrate this has been pretreated with a four-stage process for maximum adhesion and color retention. The top coat is baked at 400° F for maximum hardness and exterior durability.



PAC-PT2

(PAC24-PT2 shown)



Fixture	A	B	C	D
PAC24-PT2	28" 711mm	24" 610mm	32" 813mm	17.5" 445mm
PAC18-PT2	22" 559mm	19" 483mm	25" 635mm	14" 356mm



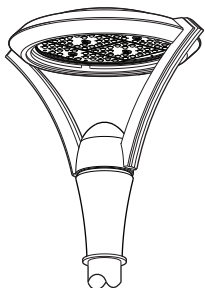
2023087

PAC-PT2 SERIES - PLED

PRODUCT CONFIGURATIONS

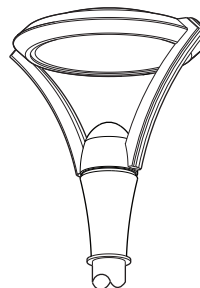
EPA & WEIGHT

No Lens

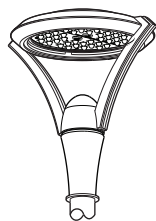


PAC24-PT2
Max Weight = 65 lbs
Max EPA = 1.26
80 LED Max

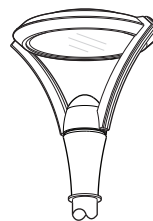
w/ Ambience™ Low Luminance Lens



PAC24-PT2-AL
Max Weight = 65 lbs
Max EPA = 1.26
80 LED Max



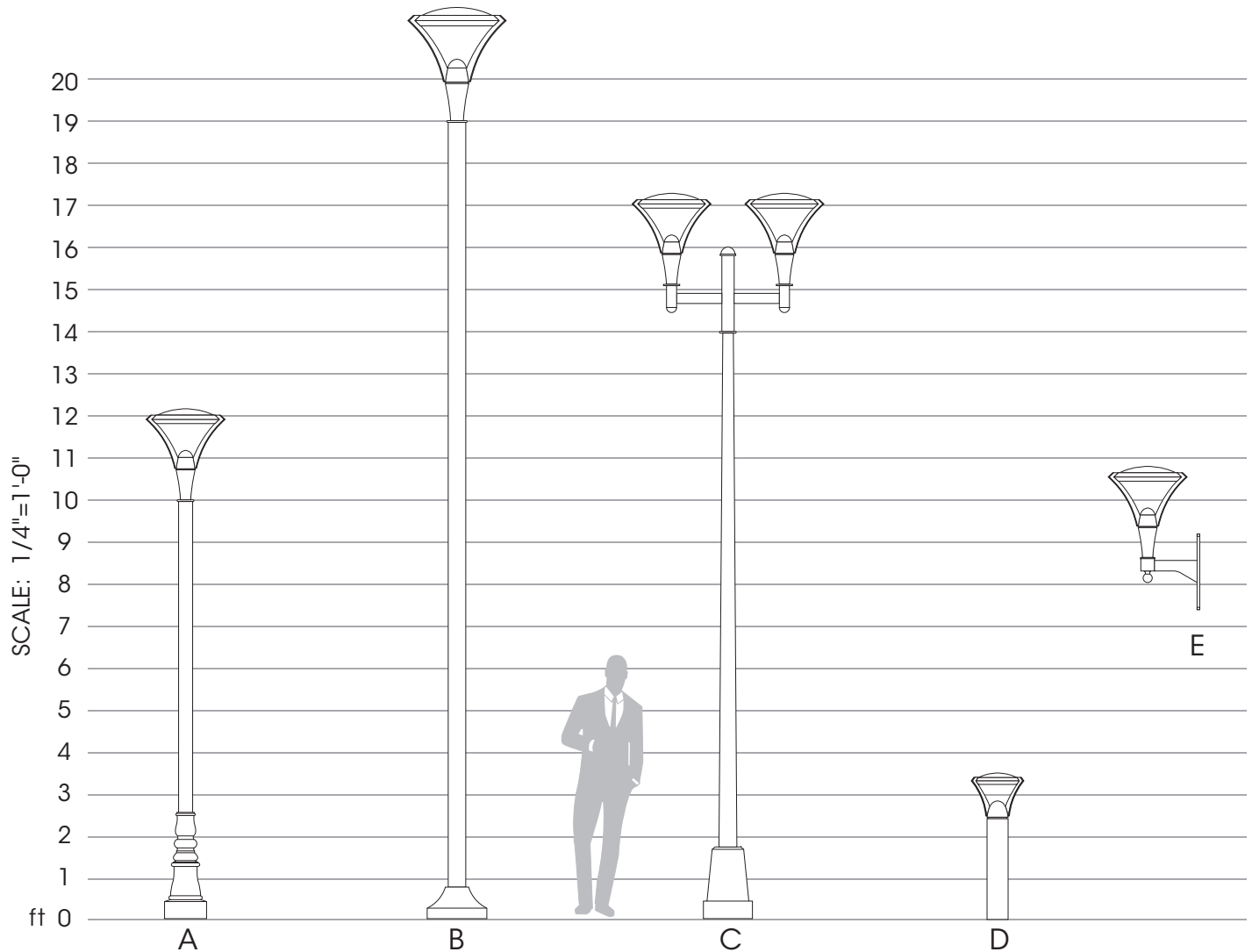
PAC18-PT2
Max Weight = 45 lbs
Max EPA = 0.81
48 LED Max



PAC18-PT2-AL
Max Weight = 45 lbs
Max EPA = 0.81
48 LED Max

PAC-PT2 SERIES - PLED

SAMPLE ASSEMBLIES

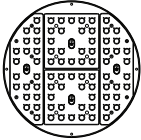


- A. 24-1040-10'/PT/PAC18-PT2/LED/ACCESSORIES/FINISH
- B. RNTS195-11-RBC/PT/PAC24-PT2/LED/ACCESSORIES/FINISH
- C. 25-1035T/XAL-PT-2-180/PAC18-PT2/LED/ACCESSORIES/FINISH
- D. PACB/LED/ACCESSORIES/FINISH
- E. XBY-WM/PAC18-PT2/LED/ACCESSORIES/FINISH

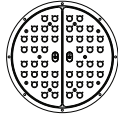
Sample Assemblies show a small offering of the Sun Valley Line of Poles, Bases, Shafts, Arms, & Luminaires. Please visit usaltg.com for the full product offering.

PAC-PT2 SERIES - PLED

PLED™ MODULES



80 LED Module



48 LED Module













36 LED Module



20 LED Module

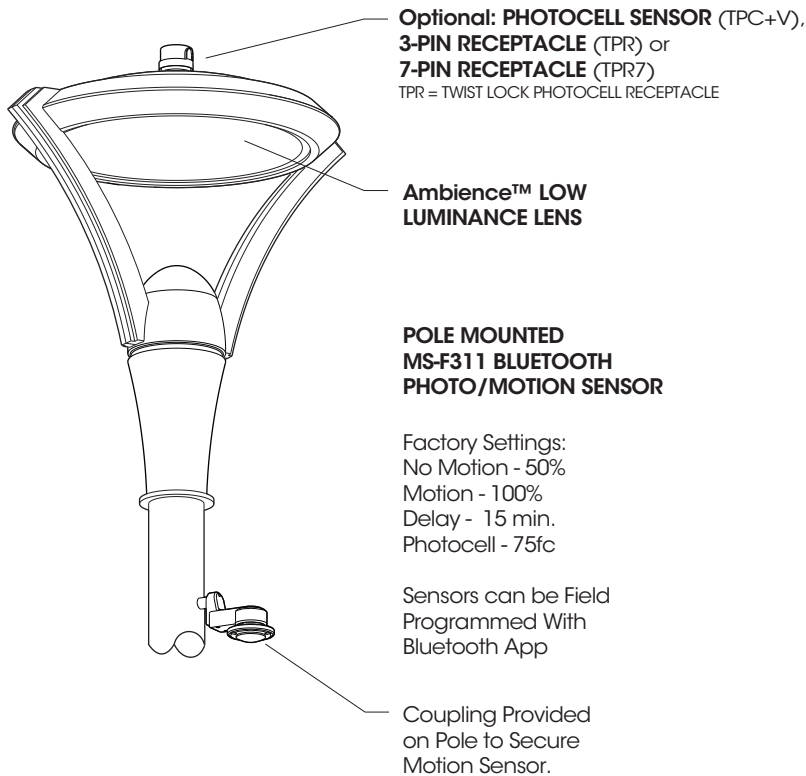
ORDERING INFORMATION

Spec/Order Example: PAC24-PT2/PLED-II/36LED-525mA/27K/UNV/RAL-9005-S/TPR7

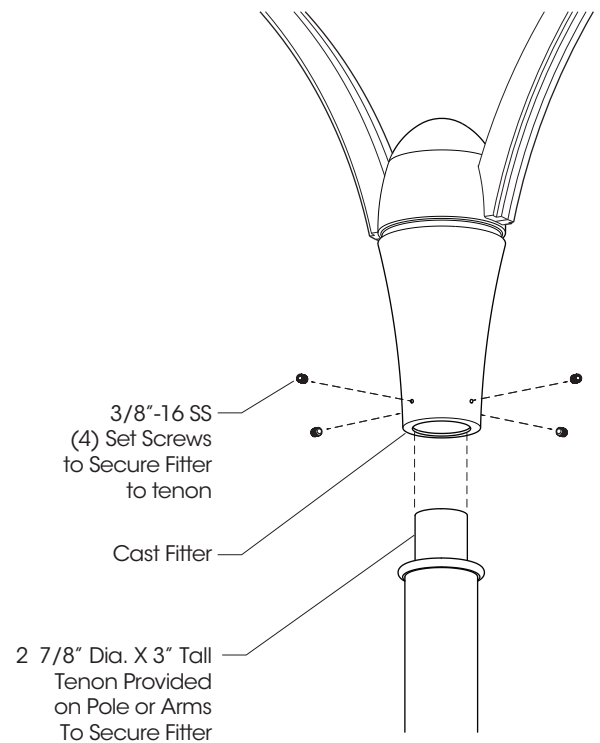
Luminaire	Optics	LED Mode	Voltage	Finish	Options
Luminaire	Optics	LED	Voltage	Finish	Options
<input type="checkbox"/> PAC24-PT2 <input type="checkbox"/> PAC18-PT2	<p>PLED™ Distribution Type</p> <p>For NL Options:</p> <input type="checkbox"/> PLED-II  <input type="checkbox"/> PLED-II-FR  <input type="checkbox"/> PLED-II-ML  <input type="checkbox"/> PLED-III  <input type="checkbox"/> PLED-III-W  <input type="checkbox"/> PLED-IV  <input type="checkbox"/> PLED-IV-FT  <input type="checkbox"/> PLED-V-SQ-N  <input type="checkbox"/> PLED-V-SQ-M  <input type="checkbox"/> PLED-V-SQ-W  <p>Ambience™ Lens Option 4:</p> <input type="checkbox"/> AL-ASY <input type="checkbox"/> AL-ASY-HS <input type="checkbox"/> AL-SYM	<p># of LEDs Drive Current Color Temp - CCT</p> <p> <input type="checkbox"/> 80LED¹ <input type="checkbox"/> 875mA <input type="checkbox"/> 27K (2700K) <input type="checkbox"/> 48LED <input type="checkbox"/> 700mA <input type="checkbox"/> 30K (3000K) <input type="checkbox"/> 36LED <input type="checkbox"/> 525mA <input type="checkbox"/> 40K (4000K) <input type="checkbox"/> 20LED² <input type="checkbox"/> 350mA <input type="checkbox"/> 50K (5000K) <input type="checkbox"/> 175mA <input type="checkbox"/> TRA³ True Amber </p> <p>NOTES: 1 - 80LED available in PAC24-PT2 only 2 - 20LED available in PAC18-PT2 only 3 - TRA available in 350mA & 525mA Drive Currents only 4 - Ambience Lens available in PAC24-PT2 (80LED) and PAC18-PT2 (48LED) only</p> <p>Consult factory for other CCT, CRI, & Drive Current options</p>	<input type="checkbox"/> UNV (120-277) <input type="checkbox"/> 347 <input type="checkbox"/> 480	<p>Standard Textured Finish</p> <input type="checkbox"/> Black RAL-9005-T <input type="checkbox"/> White RAL-9003-T <input type="checkbox"/> Grey RAL-7004-T <input type="checkbox"/> Dark Bronze RAL-8019-T <input type="checkbox"/> Green RAL-6005-T <p>Premium Finishes</p> <input type="checkbox"/> Rust <input type="checkbox"/> Patina Copper PC <p>For smooth finish replace suffix "T" with suffix "S" (Example: RAL-9500-S)</p> <p>Consult factory for custom colors</p>	<input type="checkbox"/> Internal House Side Shield incl. LED Count (Example: HS-LED/48) HS-LED <input type="checkbox"/> Twist Lock Receptable Only TPR <input type="checkbox"/> 7-Pin Twist Lock Receptable Only TPR7 <input type="checkbox"/> High-Low Dimming for Switch by Others/Select Levels 50/100 or 25/100 (Example: HLSW/25) HLSW <input type="checkbox"/> Twist Lock Photocell + Voltage (Example: TPC347V) TPC+V <input type="checkbox"/> Photocell + Voltage (Example: PC120V) PC+V <input type="checkbox"/> Single Fuse (Example: DF277V) SF+V <input type="checkbox"/> Double Fuse (Example: DF240V) DF+V <input type="checkbox"/> Blue-Tooth Programmable Photo/Motion Sensor (Factory - Motion 50/100; Photo 75ic) MS-F311

PAC-PT2 SERIES - PLED

OPTIONS



INSTALLATION DETAIL



High Low Dimming For Switches (HLSW)

The HLSW is a small Electronic Switch which provides High Low Dimming Control through the LED Driver's 0-10V Control. Switching is done by adding a secondary AC Switched Hot Trigger Line to the HLSW in addition to the normal AC Power Line. When the Secondary Trigger Line is powered, the Fixture will go to 100% dimming. With no power to the Trigger, the Fixture will operate at 50% or 25% dimming. Switches for the Trigger Line can be a normal AC Switch/Breaker or Timed Switch/Breaker.

Wireless and Other Fixture Controls

Contact factory for Wireless and other Fixture Controls and recommendations. Most Controls can be integrated and factory installed.

PAC-PT2 SERIES - PLED

PHOTOMETRIC DATA GUIDE - LM-80 LUMEN MAINTENANCE

LED LUMEN MAINTENANCE (350mA to 875mA)		
LED Life / Operating Hours	Lumen Depreciation	Lumen Depreciation Scale Factor
60,000	L96	0.96x
100,000 (6X LED Test Hrs)	L93	0.93x
150,000 (Theoretical)	L89	0.90x
200,000 (Theoretical)	L86	0.87x

TM-21 6x Test Time Dictates that L93 > 100,000 Hours.

Lumen Depreciation Calculations Done in Accordance With IESNA TM-21 & LM-80 (25°C Ambient)

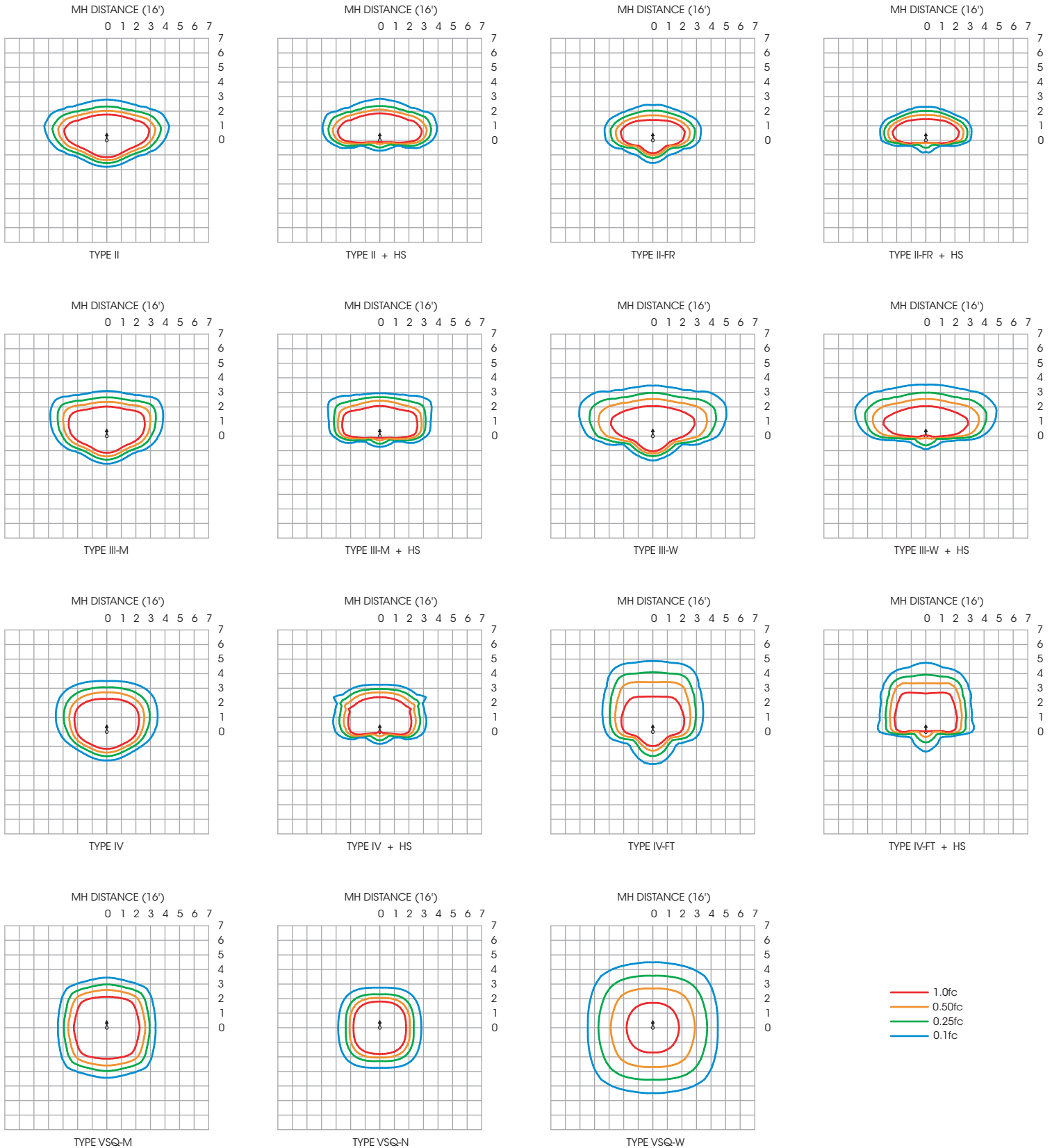
ELECTRICAL DATA GUIDE - AMPERAGE CHART

# of LEDs	mA	System Watts	120V	208V	277V	347V	480V
20	350	23.6	0.20	0.11	0.09	0.07	0.05
20	525	35.5	0.30	0.17	0.13	0.10	0.07
20	700	47.0	0.39	0.23	0.17	0.14	0.10
20	875	58.4	0.49	0.28	0.21	0.17	0.12
36	350	41.3	0.34	0.20	0.15	0.12	0.09
36	525	62.0	0.52	0.30	0.22	0.18	0.13
36	700	82.6	0.69	0.40	0.30	0.24	0.17
36	875	103.1	0.86	0.50	0.37	0.30	0.21
48	175	26.5	0.22	0.13	0.10	0.08	0.06
48	350	53.6	0.45	0.26	0.19	0.15	0.11
48	525	80.7	0.67	0.39	0.29	0.23	0.17
48	700	108.0	0.90	0.52	0.39	0.31	0.23
48	875	134.7	1.12	0.65	0.49	0.39	0.28
80	175	41.9	0.35	0.20	0.15	0.12	0.09
80	350	85.8	0.72	0.41	0.31	0.25	0.18
80	525	129.7	1.08	0.62	0.47	0.37	0.27
80	700	173.5	1.45	0.83	0.63	0.50	0.36
80	875	221.5	1.85	1.06	0.80	0.64	0.46

PAC-PT2 SERIES - PLED

PHOTOMETRIC DATA GUIDE - ISOFOOTCANDLE PLOTS

PAC18-PT-PLED-36LED-700mA-40K - 16 Mounting Height (14' Pole)



PAC-PT2 SERIES - PLED

PHOTOMETRIC DATA GUIDE - LUMEN TABLES (PAC-PT-PLED)

PAC18-PT-PLED																			
LED Count	Drive Current (mA)	System Watts	Dist'n Type	27K (2700K - 70CRI)			30K (3000K - 70CRI)			40K (4000K - 70CRI)			50K (5000K - 70CRI)			System Watts	TRA (590nm)		
				LUMENS	LPW	BUG RATING	LUMENS	LPW	BUG RATING	LUMENS	LPW	BUG RATING	LUMENS	LPW	BUG RATING		LUMENS	LPW	BUG RATING
20	350	23.6	II	3152	134	B1-U0-G1	3288	139	B1-U0-G1	3426	145	B1-U0-G1	3563	151	B1-U0-G1	18.2	1096	60	B0-U0-G0
			II-FR	3173	134	B1-U0-G1	3311	140	B1-U0-G1	3449	146	B1-U0-G1	3587	152	B1-U0-G1		1104	61	B0-U0-G0
			III-M	3207	136	B1-U0-G1	3346	142	B1-U0-G1	3486	148	B1-U0-G1	3625	154	B1-U0-G1		1115	61	B0-U0-G0
			III-W	2978	126	B1-U0-G1	3107	132	B1-U0-G1	3237	137	B1-U0-G1	3366	143	B1-U0-G1		1036	57	B0-U0-G1
			IV	3183	135	B1-U0-G1	3321	141	B1-U0-G1	3459	147	B1-U0-G1	3598	152	B1-U0-G1		1107	61	B0-U0-G0
			IV-FT	2899	123	B1-U0-G1	3025	128	B1-U0-G1	3151	134	B1-U0-G1	3277	139	B1-U0-G1		1008	55	B0-U0-G1
			VSQ-N	3327	141	B2-U0-G0	3472	147	B2-U0-G0	3616	153	B2-U0-G0	3761	159	B2-U0-G0		1157	64	B1-U0-G0
			VSQ-M	3262	138	B2-U0-G1	3404	144	B2-U0-G1	3546	150	B2-U0-G1	3688	156	B2-U0-G1		1135	62	B1-U0-G0
			VSQ-W	3184	135	B2-U0-G1	3322	141	B2-U0-G1	3461	147	B3-U0-G1	3600	153	B3-U0-G1		1108	61	B1-U0-G1
			II-HS	2305	98	B0-U0-G1	2405	102	B0-U0-G1	2505	106	B0-U0-G1	2606	110	B0-U0-G1		802	44	B0-U0-G0
			II-FR-HS	2345	99	B0-U0-G0	2447	104	B0-U0-G0	2549	108	B0-U0-G0	2651	112	B0-U0-G0		816	45	B0-U0-G0
			III-M-HS	2332	99	B0-U0-G1	2433	103	B0-U0-G1	2535	107	B0-U0-G1	2636	112	B0-U0-G1		811	45	B0-U0-G0
			III-W-HS	2282	97	B0-U0-G1	2382	101	B0-U0-G1	2481	105	B0-U0-G1	2580	109	B0-U0-G1		794	44	B0-U0-G1
			IV-HS	2409	102	B0-U0-G1	2513	106	B0-U0-G1	2618	111	B0-U0-G1	2722	115	B0-U0-G1		838	46	B0-U0-G0
			IV-FT-HS	2277	96	B0-U0-G1	2376	101	B0-U0-G1	2475	105	B0-U0-G1	2574	109	B0-U0-G1		792	44	B0-U0-G1
			20	525	35.5	II	4481	126	B1-U0-G1	4676	132	B1-U0-G1	4871	137	B1-U0-G1		5066	143	B1-U0-G1
II-FR	4511	127				B1-U0-G1	4707	133	B1-U0-G1	4904	138	B1-U0-G1	5100	144	B1-U0-G1	1275	47	B1-U0-G0	
III-M	4560	128				B1-U0-G1	4758	134	B1-U0-G1	4956	140	B1-U0-G1	5154	145	B1-U0-G1	1288	47	B0-U0-G0	
III-W	4234	119				B1-U0-G2	4418	124	B1-U0-G2	4602	130	B1-U0-G2	4786	135	B1-U0-G2	1196	44	B0-U0-G1	
IV	4525	127				B1-U0-G1	4722	133	B1-U0-G1	4919	139	B1-U0-G1	5116	144	B1-U0-G1	1279	47	B0-U0-G1	
IV-FT	4123	116				B1-U0-G2	4302	121	B1-U0-G2	4481	126	B1-U0-G2	4660	131	B1-U0-G2	1165	43	B0-U0-G1	
VSQ-N	4730	133				B2-U0-G1	4935	139	B2-U0-G1	5141	145	B2-U0-G2	5347	151	B2-U0-G1	1337	49	B1-U0-G0	
VSQ-M	4638	131				B3-U0-G1	4839	136	B3-U0-G1	5041	142	B3-U0-G1	5243	148	B3-U0-G1	1311	48	B1-U0-G0	
VSQ-W	4528	128				B3-U0-G2	4725	133	B3-U0-G2	4921	139	B3-U0-G2	5118	144	B3-U0-G2	1279	47	B1-U0-G1	
II-HS	3278	92				B0-U0-G1	3420	96	B0-U0-G1	3563	100	B0-U0-G1	3705	104	B0-U0-G1	926	34	B0-U0-G0	
II-FR-HS	3334	94				B0-U0-G1	3479	98	B0-U0-G1	3624	102	B0-U0-G1	3768	106	B0-U0-G1	942	35	B0-U0-G0	
III-M-HS	3316	93				B0-U0-G1	3460	97	B0-U0-G1	3604	102	B0-U0-G1	3748	106	B0-U0-G1	937	34	B0-U0-G0	
III-W-HS	3246	91				B0-U0-G1	3387	95	B0-U0-G1	3528	99	B0-U0-G1	3669	103	B0-U0-G2	917	34	B0-U0-G1	
IV-HS	3425	96				B0-U0-G1	3574	101	B0-U0-G1	3722	105	B0-U0-G1	3871	109	B0-U0-G1	968	35	B0-U0-G0	
IV-FT-HS	3237	91				B0-U0-G2	3377	95	B0-U0-G2	3518	99	B0-U0-G2	3659	103	B0-U0-G2	915	34	B0-U0-G1	
20	700	47.0				II	5637	120	B1-U0-G1	5882	125	B2-U0-G1	6127	130	B2-U0-G1	6372	136	B2-U0-G2	N/A
			II-FR	5674	121	B2-U0-G1	5921	126	B2-U0-G1	6168	131	B2-U0-G1	6414	136	B2-U0-G1				
			III-M	5735	122	B1-U0-G2	5984	127	B1-U0-G2	6234	133	B2-U0-G2	6483	138	B2-U0-G2				
			III-W	5325	113	B1-U0-G2	5556	118	B1-U0-G2	5788	123	B1-U0-G2	6019	128	B1-U0-G2				
			IV	5692	121	B1-U0-G1	5939	126	B1-U0-G2	6187	132	B2-U0-G2	6435	137	B2-U0-G2				
			IV-FT	5185	110	B1-U0-G2	5410	115	B1-U0-G2	5636	120	B1-U0-G2	5861	125	B1-U0-G2				
			VSQ-N	5949	127	B2-U0-G1	6208	132	B2-U0-G1	6466	138	B2-U0-G1	6725	143	B2-U0-G1				
			VSQ-M	5834	124	B3-U0-G1	6088	130	B3-U0-G1	6341	135	B3-U0-G1	6595	140	B3-U0-G1				
			VSQ-W	5694	121	B3-U0-G2	5942	126	B3-U0-G2	6189	132	B3-U0-G2	6437	137	B3-U0-G2				
			II-HS	4122	88	B0-U0-G1	4302	92	B0-U0-G1	4481	95	B0-U0-G1	4660	99	B1-U0-G1				
			II-FR-HS	4193	89	B0-U0-G1	4376	93	B0-U0-G1	4558	97	B0-U0-G1	4740	101	B0-U0-G1				
			III-M-HS	4170	89	B0-U0-G1	4351	93	B0-U0-G2	4533	96	B0-U0-G2	4714	100	B0-U0-G2				
			III-W-HS	4082	87	B0-U0-G2	4259	91	B0-U0-G2	4437	94	B0-U0-G2	4614	98	B0-U0-G2				
			IV-HS	4308	92	B0-U0-G1	4495	96	B0-U0-G1	4682	100	B0-U0-G2	4869	104	B0-U0-G2				
			IV-FT-HS	4071	87	B0-U0-G2	4248	90	B0-U0-G2	4425	94	B0-U0-G2	4602	98	B0-U0-G2				
			20	875	58.4	II	6639	114	B2-U0-G2	6928	119	B2-U0-G2	7216	124	B2-U0-G2	7505	129	B2-U0-G2	
II-FR	6683	114				B2-U0-G1	6974	119	B2-U0-G1	7264	124	B2-U0-G1	7555	129	B2-U0-G1				
III-M	6755	116				B2-U0-G2	7048	121	B2-U0-G2	7342	126	B2-U0-G2	7636	131	B2-U0-G2				
III-W	6272	107				B1-U0-G2	6545	112	B1-U0-G2	6817	117	B1-U0-G2	7090	121	B1-U0-G2				
IV	6704	115				B2-U0-G2	6996	120	B2-U0-G2	7287	125	B2-U0-G2	7579	130	B2-U0-G2				
IV-FT	6107	105				B1-U0-G2	6373	109	B1-U0-G2	6638	114	B1-U0-G2	6904	118	B1-U0-G2				
VSQ-N	7007	120				B2-U0-G1	7312	125	B2-U0-G1	7617	130	B2-U0-G1	7921	136	B3-U0-G1				
VSQ-M	6871	118				B3-U0-G1	7170	123	B3-U0-G1	7469	128	B3-U0-G1	7767	133	B3-U0-G2				
VSQ-W	6707	115				B3-U0-G2	6999	120	B3-U0-G2	7290	125	B3-U0-G2	7582	130	B3-U0-G2				
II-HS	4855	83				B1-U0-G2	5066	87	B1-U0-G2	5278	90	B1-U0-G2	5489	94	B1-U0-G2				
II-FR-HS	4939	85				B0-U0-G1	5154	88	B0-U0-G1	5368	92	B0-U0-G1	5583	96	B0-U0-G1				
III-M-HS	4912	84				B0-U0-G2	5126	88	B0-U0-G2	5339	91	B0-U0-G2	5553	95	B0-U0-G2				
III-W-HS	4808	82				B0-U0-G2	5017	86	B0-U0-G2	5226	89	B0-U0-G2	5436	93	B0-U0-G2				
IV-HS	5074	87				B0-U0-G2	5295	91	B0-U0-G2	5515	94	B0-U0-G2	5735	98	B0-U0-G2				
IV-FT-HS	4795	82				B0-U0-G2	5003	86	B0-U0-G2	5212	89	B0-U0-G2	5420	93	B0-U0-G2				

IES File downloads for this product can be found at www.usalgt.com/downloads/asr.html

PAC-PT2 SERIES - PLED

PHOTOMETRIC DATA GUIDE - LUMEN TABLES (PAC-PT-PLED)

PAC18-PT-PLED																			
LED Count	Drive Current (mA)	System Watts	Dist'n Type	27K (2700K - 70CRI)			30K (3000K - 70CRI)			40K (4000K - 70CRI)			50K (5000K - 70CRI)			System Watts	TRA (590nm)		
				LUMENS	LPW	BUG RATING	LUMENS	LPW	BUG RATING	LUMENS	LPW	BUG RATING	LUMENS	LPW	BUG RATING		LUMENS	LPW	BUG RATING
36	350	41.3	II	5529	134	B1-U0-G1	5769	140	B2-U0-G1	6010	146	B2-U0-G1	6250	151	B2-U0-G1	31.8	1923	60	B1-U0-G1
			II-FR	5567	135	B1-U0-G1	5809	141	B2-U0-G1	6051	147	B2-U0-G1	6293	152	B2-U0-G1		1936	61	B1-U0-G0
			III-M	5626	136	B1-U0-G1	5871	142	B1-U0-G2	6115	148	B1-U0-G2	6360	154	B2-U0-G2		1957	62	B1-U0-G1
			III-W	5224	126	B1-U0-G2	5451	132	B1-U0-G2	5678	137	B1-U0-G2	5905	143	B1-U0-G2		1817	57	B1-U0-G1
			IV	5584	135	B1-U0-G1	5826	141	B1-U0-G1	6069	147	B2-U0-G2	6312	153	B2-U0-G2		1942	61	B1-U0-G1
			IV-FT	5086	123	B1-U0-G2	5307	129	B1-U0-G2	5529	134	B1-U0-G2	5750	139	B1-U0-G2		1769	56	B1-U0-G1
			VSQ-N	5837	141	B2-U0-G1	6091	147	B2-U0-G1	6344	154	B2-U0-G1	6598	160	B2-U0-G1		2030	64	B1-U0-G0
			VSQ-M	5723	139	B3-U0-G1	5972	145	B3-U0-G1	6221	151	B3-U0-G1	6469	157	B3-U0-G1		1991	63	B1-U0-G0
			VSQ-W	5586	135	B3-U0-G2	5829	141	B3-U0-G2	6072	147	B3-U0-G2	6315	153	B3-U0-G2		1943	61	B2-U0-G1
			II-HS	4044	98	B0-U0-G1	4220	102	B0-U0-G1	4395	106	B0-U0-G1	4571	111	B1-U0-G1		1407	44	B0-U0-G0
			II-FR-HS	4114	100	B0-U0-G1	4293	104	B0-U0-G1	4471	108	B0-U0-G1	4650	113	B0-U0-G1		1431	45	B0-U0-G0
			III-M-HS	4091	99	B0-U0-G1	4269	103	B0-U0-G2	4447	108	B0-U0-G2	4624	112	B0-U0-G2		1423	45	B0-U0-G0
			III-W-HS	4005	97	B0-U0-G2	4178	101	B0-U0-G2	4353	105	B0-U0-G2	4527	110	B0-U0-G2		1393	44	B0-U0-G1
			IV-HS	4225	102	B0-U0-G1	4409	107	B0-U0-G1	4592	111	B0-U0-G1	4776	116	B0-U0-G2		1470	46	B0-U0-G0
			IV-FT-HS	3994	97	B0-U0-G2	4167	101	B0-U0-G2	4341	105	B0-U0-G2	4515	109	B0-U0-G2		1389	44	B0-U0-G1
			36	525	62.0	II	7862	127	B2-U0-G2	8204	132	B2-U0-G2	8545	138	B2-U0-G2		8887	143	B2-U0-G2
II-FR	7915	128				B2-U0-G1	8259	133	B2-U0-G1	8603	139	B2-U0-G1	8947	144	B2-U0-G1	2237	47	B1-U0-G0	
III-M	7999	129				B2-U0-G2	8347	135	B2-U0-G2	8695	140	B2-U0-G2	9043	146	B2-U0-G2	2261	47	B1-U0-G1	
III-W	7428	120				B1-U0-G2	7751	125	B1-U0-G2	8074	130	B2-U0-G2	8397	135	B2-U0-G2	2099	44	B1-U0-G1	
IV	7939	128				B2-U0-G2	8284	134	B2-U0-G2	8630	139	B2-U0-G2	8975	145	B2-U0-G2	2244	47	B1-U0-G1	
IV-FT	7232	117				B2-U0-G2	7547	122	B2-U0-G2	7861	127	B2-U0-G2	8176	132	B2-U0-G2	2044	43	B1-U0-G1	
VSQ-N	8297	134				B3-U0-G1	8658	140	B3-U0-G1	9019	145	B3-U0-G1	9380	151	B3-U0-G1	2345	49	B1-U0-G0	
VSQ-M	8137	131				B3-U0-G2	8491	137	B3-U0-G2	8844	143	B3-U0-G2	9198	148	B3-U0-G2	2299	48	B2-U0-G1	
VSQ-W	7943	128				B3-U0-G2	8289	134	B3-U0-G2	8634	139	B4-U0-G2	8980	145	B4-U0-G2	2245	47	B2-U0-G1	
II-HS	5750	93				B1-U0-G2	6000	97	B1-U0-G2	6250	101	B1-U0-G2	6500	105	B1-U0-G2	1625	34	B0-U0-G0	
II-FR-HS	5849	94				B1-U0-G1	6103	98	B1-U0-G1	6357	103	B1-U0-G1	6611	107	B1-U0-G1	1653	35	B0-U0-G0	
III-M-HS	5817	94				B0-U0-G2	6069	98	B0-U0-G2	6322	102	B0-U0-G2	6575	106	B0-U0-G2	1644	34	B0-U0-G1	
III-W-HS	5694	92				B0-U0-G2	5941	96	B0-U0-G2	6189	100	B0-U0-G2	6436	104	B0-U0-G2	1609	34	B0-U0-G1	
IV-HS	6008	97				B0-U0-G2	6269	101	B0-U0-G2	6530	105	B0-U0-G2	6791	110	B0-U0-G2	1698	36	B0-U0-G1	
IV-FT-HS	5678	92				B0-U0-G2	5925	96	B0-U0-G2	6172	100	B0-U0-G2	6419	104	B0-U0-G2	1605	34	B0-U0-G1	
36	700	82.6				II	9889	120	B2-U0-G2	10319	125	B2-U0-G2	10749	130	B2-U0-G2	11179	135	B2-U0-G2	N/A
			II-FR	9955	121	B2-U0-G1	10388	126	B2-U0-G1	10820	131	B2-U0-G1	11253	136	B3-U0-G1				
			III-M	10061	122	B2-U0-G2	10499	127	B2-U0-G2	10936	132	B2-U0-G2	11374	138	B2-U0-G2				
			III-W	9342	113	B2-U0-G3	9748	118	B2-U0-G3	10154	123	B2-U0-G3	10560	128	B2-U0-G3				
			IV	9986	121	B2-U0-G2	10420	126	B2-U0-G2	10854	131	B2-U0-G2	11289	137	B2-U0-G2				
			IV-FT	9096	110	B2-U0-G3	9492	115	B2-U0-G3	9887	120	B2-U0-G3	10283	124	B2-U0-G3				
			VSQ-N	10437	126	B3-U0-G1	10890	132	B3-U0-G1	11344	137	B3-U0-G1	11798	143	B3-U0-G1				
			VSQ-M	10235	124	B3-U0-G2	10680	129	B4-U0-G2	11125	135	B4-U0-G2	11570	140	B4-U0-G2				
			VSQ-W	9990	121	B4-U0-G3	10425	126	B4-U0-G3	10859	131	B4-U0-G3	11294	137	B4-U0-G3				
			II-HS	7232	88	B1-U0-G2	7547	91	B1-U0-G2	7861	95	B1-U0-G2	8175	99	B1-U0-G2				
			II-FR-HS	7356	89	B1-U0-G1	7676	93	B1-U0-G1	7996	97	B1-U0-G1	8315	101	B1-U0-G1				
			III-M-HS	7316	89	B0-U0-G2	7634	92	B1-U0-G2	7952	96	B1-U0-G2	8270	100	B1-U0-G2				
			III-W-HS	7161	87	B0-U0-G2	7472	90	B0-U0-G2	7784	94	B0-U0-G2	8095	98	B1-U0-G2				
			IV-HS	7557	91	B1-U0-G2	7886	95	B1-U0-G2	8214	99	B1-U0-G2	8542	103	B1-U0-G2				
			IV-FT-HS	7142	86	B1-U0-G3	7453	90	B1-U0-G3	7763	94	B1-U0-G3	8074	98	B1-U0-G3				
			36	875	103.1	II	11647	113	B2-U0-G2	12154	118	B2-U0-G2	12660	123	B2-U0-G2	13166	128	B2-U0-G2	
II-FR	11725	114				B3-U0-G1	12235	119	B3-U0-G1	12744	124	B3-U0-G1	13254	129	B3-U0-G1				
III-M	11851	115				B2-U0-G2	12366	120	B2-U0-G2	12881	125	B2-U0-G2	13396	130	B2-U0-G2				
III-W	11003	107				B2-U0-G3	11482	111	B2-U0-G3	11960	116	B2-U0-G3	12438	121	B2-U0-G3				
IV	11762	114				B2-U0-G2	12273	119	B2-U0-G2	12784	124	B2-U0-G2	13296	129	B2-U0-G2				
IV-FT	10715	104				B2-U0-G3	11180	108	B2-U0-G3	11646	113	B2-U0-G3	12112	117	B2-U0-G3				
VSQ-N	12294	119				B3-U0-G1	12828	124	B3-U0-G1	13363	130	B3-U0-G1	13897	135	B3-U0-G1				
VSQ-M	12054	117				B4-U0-G2	12578	122	B4-U0-G2	13102	127	B4-U0-G2	13627	132	B4-U0-G2				
VSQ-W	11767	114				B4-U0-G3	12278	119	B4-U0-G3	12790	124	B4-U0-G3	13302	129	B4-U0-G3				
II-HS	8518	83				B1-U0-G2	8889	86	B1-U0-G2	9259	90	B1-U0-G2	9629	93	B1-U0-G2				
II-FR-HS	8665	84				B1-U0-G1	9042	88	B1-U0-G1	9418	91	B1-U0-G1	9795	95	B1-U0-G1				
III-M-HS	8618	84				B1-U0-G2	8992	87	B1-U0-G2	9367	91	B1-U0-G2	9741	94	B1-U0-G2				
III-W-HS	8436	82				B1-U0-G2	8802	85	B1-U0-G2	9169	89	B1-U0-G2	9536	92	B1-U0-G3				
IV-HS	8901	86				B1-U0-G2	9288	90	B1-U0-G2	9675	94	B1-U0-G2	10062	98	B1-U0-G2				
IV-FT-HS	8413	82				B1-U0-G3	8778	85	B1-U0-G3	9144	89	B1-U0-G3	9510	92	B1-U0-G3				

IES File downloads for this product can be found at www.usalgt.com/downloads/asr.html

PAC-PT2 SERIES - PLED

PHOTOMETRIC DATA GUIDE - LUMEN TABLES (PAC-PT-PLED)

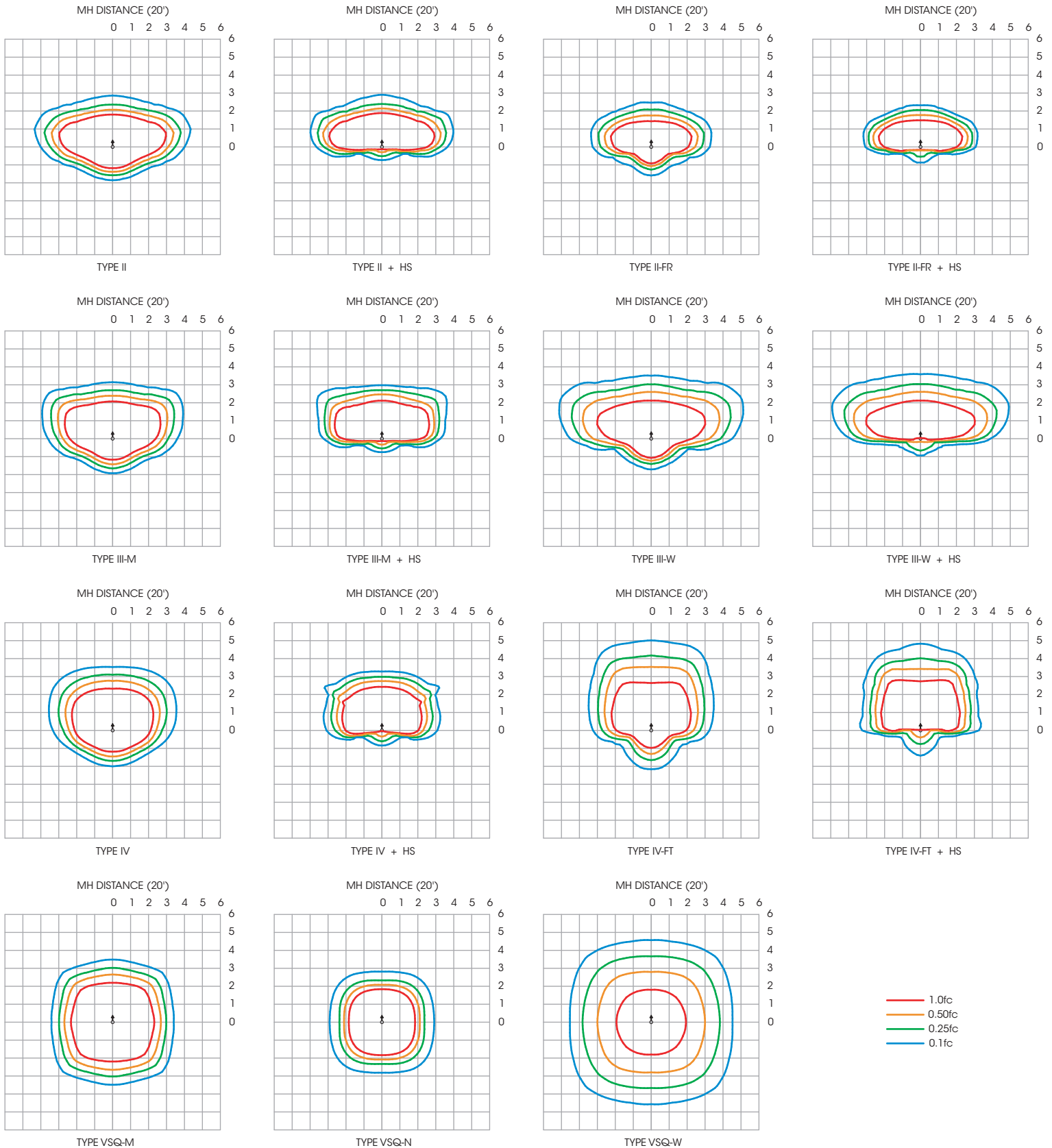
PAC18-PT-PLED																			
LED Count	Drive Current (mA)	System Watts	Dist'n Type	27K (2700K - 70CRI)			30K (3000K - 70CRI)			40K (4000K - 70CRI)			50K (5000K - 70CRI)			System Watts	TRA (590nm)		
				LUMENS	LPW	BUG RATING	LUMENS	LPW	BUG RATING	LUMENS	LPW	BUG RATING	LUMENS	LPW	BUG RATING		LUMENS	LPW	BUG RATING
48	350	53.6	II	7280	136	B2-U0-G2	7596	142	B2-U0-G2	7913	148	B2-U0-G2	8229	154	B2-U0-G2	41.3	2532	61	B1-U0-G1
			II-FR	7329	137	B2-U0-G1	7648	143	B2-U0-G1	7967	149	B2-U0-G1	8285	155	B2-U0-G1		2549	62	B1-U0-G1
			III-M	7407	138	B2-U0-G2	7729	144	B2-U0-G2	8052	150	B2-U0-G2	8374	156	B2-U0-G2		2577	62	B1-U0-G1
			III-W	6878	128	B1-U0-G2	7177	134	B1-U0-G2	7476	139	B1-U0-G2	7775	145	B1-U0-G2		2392	58	B1-U0-G1
			IV	7351	137	B2-U0-G2	7671	143	B2-U0-G2	7991	149	B2-U0-G2	8310	155	B2-U0-G2		2557	62	B1-U0-G1
			IV-FT	6697	125	B1-U0-G2	6988	130	B1-U0-G2	7279	136	B2-U0-G2	7570	141	B2-U0-G2		2329	56	B1-U0-G1
			VSQ-N	7685	143	B2-U0-G1	8019	150	B3-U0-G1	8353	156	B3-U0-G1	8687	162	B3-U0-G1		2673	65	B1-U0-G0
			VSQ-M	7534	141	B3-U0-G1	7862	147	B3-U0-G2	8190	153	B3-U0-G2	8517	159	B3-U0-G2		2621	63	B2-U0-G1
			VSQ-W	7355	137	B3-U0-G2	7674	143	B3-U0-G2	7994	149	B3-U0-G2	8314	155	B3-U0-G2		2558	62	B2-U0-G1
			II-HS	5324	99	B1-U0-G2	5556	104	B1-U0-G2	5787	108	B1-U0-G2	6019	112	B1-U0-G2		1852	45	B0-U0-G1
			II-FR-HS	5416	101	B0-U0-G1	5652	105	B1-U0-G1	5887	110	B1-U0-G1	6123	114	B1-U0-G1		1884	46	B0-U0-G0
			III-M-HS	5386	100	B0-U0-G2	5620	105	B0-U0-G2	5854	109	B0-U0-G2	6089	114	B0-U0-G2		1873	45	B0-U0-G1
			III-W-HS	5272	98	B0-U0-G2	5501	103	B0-U0-G2	5731	107	B0-U0-G2	5960	111	B0-U0-G2		1834	44	B0-U0-G1
			IV-HS	5563	104	B0-U0-G2	5805	108	B0-U0-G2	6047	113	B0-U0-G2	6288	117	B0-U0-G2		1935	47	B0-U0-G1
			IV-FT-HS	5258	98	B0-U0-G2	5487	102	B0-U0-G2	5715	107	B0-U0-G2	5944	111	B0-U0-G2		1829	44	B0-U0-G1
			48	525	80.7	II	10351	128	B2-U0-G2	10801	134	B2-U0-G2	11251	139	B2-U0-G2		11701	145	B2-U0-G2
II-FR	10420	129				B2-U0-G1	10873	135	B2-U0-G1	11326	140	B3-U0-G1	11779	146	B3-U0-G1	2945	47	B1-U0-G1	
III-M	10532	131				B2-U0-G2	10990	136	B2-U0-G2	11448	142	B2-U0-G2	11906	148	B2-U0-G2	2976	48	B1-U0-G1	
III-W	9780	121				B2-U0-G3	10205	126	B2-U0-G3	10630	132	B2-U0-G3	11055	137	B2-U0-G3	2764	45	B1-U0-G1	
IV	10453	130				B2-U0-G2	10907	135	B2-U0-G2	11362	141	B2-U0-G2	11816	146	B2-U0-G2	2954	48	B1-U0-G1	
IV-FT	9522	118				B2-U0-G3	9936	123	B2-U0-G3	10350	128	B2-U0-G3	10764	133	B2-U0-G3	2691	43	B1-U0-G1	
VSQ-N	10925	135				B3-U0-G1	11400	141	B3-U0-G1	11875	147	B3-U0-G1	12350	153	B3-U0-G1	3088	50	B1-U0-G0	
VSQ-M	10713	133				B4-U0-G2	11178	139	B4-U0-G2	11644	144	B4-U0-G2	12110	150	B4-U0-G2	3027	49	B2-U0-G1	
VSQ-W	10459	130				B4-U0-G3	10913	135	B4-U0-G3	11368	141	B4-U0-G3	11823	147	B4-U0-G3	2955	48	B2-U0-G1	
II-HS	7570	94				B1-U0-G2	7900	98	B1-U0-G2	8229	102	B1-U0-G2	8558	106	B1-U0-G2	2139	34	B0-U0-G1	
II-FR-HS	7700	95				B1-U0-G1	8035	100	B1-U0-G1	8370	104	B1-U0-G1	8705	108	B1-U0-G1	2176	35	B0-U0-G0	
III-M-HS	7658	95				B1-U0-G2	7991	99	B1-U0-G2	8324	103	B1-U0-G2	8657	107	B1-U0-G2	2164	35	B0-U0-G1	
III-W-HS	7496	93				B0-U0-G2	7822	97	B0-U0-G2	8148	101	B1-U0-G2	8474	105	B1-U0-G2	2118	34	B0-U0-G1	
IV-HS	7910	98				B1-U0-G2	8254	102	B1-U0-G2	8598	107	B1-U0-G2	8942	111	B1-U0-G2	2235	36	B0-U0-G1	
IV-FT-HS	7476	93				B1-U0-G3	7801	97	B1-U0-G3	8126	101	B1-U0-G3	8451	105	B1-U0-G3	2113	34	B0-U0-G1	
48	700	108.0				II	13020	121	B2-U0-G2	13586	126	B2-U0-G2	14152	131	B2-U0-G2	14718	136	B3-U0-G2	N/A
			II-FR	13106	121	B3-U0-G1	13676	127	B3-U0-G1	14246	132	B3-U0-G1	14816	137	B3-U0-G2				
			III-M	13247	123	B2-U0-G2	13823	128	B2-U0-G2	14399	133	B2-U0-G2	14975	139	B2-U0-G2				
			III-W	12299	114	B2-U0-G3	12834	119	B2-U0-G3	13369	124	B2-U0-G3	13903	129	B2-U0-G3				
			IV	13147	122	B2-U0-G2	13719	127	B2-U0-G2	14291	132	B2-U0-G2	14862	138	B2-U0-G2				
			IV-FT	11976	111	B2-U0-G3	12497	116	B2-U0-G3	13017	121	B2-U0-G3	13538	125	B2-U0-G3				
			VSQ-N	13741	127	B3-U0-G1	14338	133	B3-U0-G1	14936	138	B3-U0-G1	15533	144	B3-U0-G1				
			VSQ-M	13475	125	B4-U0-G2	14061	130	B4-U0-G2	14647	136	B4-U0-G2	15233	141	B4-U0-G2				
			VSQ-W	13153	122	B4-U0-G3	13725	127	B4-U0-G3	14297	132	B4-U0-G3	14869	138	B4-U0-G3				
			II-HS	9522	88	B1-U0-G2	9936	92	B1-U0-G2	10350	96	B1-U0-G2	10763	100	B1-U0-G2				
			II-FR-HS	9685	90	B1-U0-G1	10106	94	B1-U0-G1	10527	97	B1-U0-G1	10948	101	B1-U0-G1				
			III-M-HS	9632	89	B1-U0-G2	10051	93	B1-U0-G2	10469	97	B1-U0-G2	10888	101	B1-U0-G2				
			III-W-HS	9428	87	B1-U0-G3	9838	91	B1-U0-G3	10248	95	B1-U0-G3	10658	99	B1-U0-G3				
			IV-HS	9950	92	B1-U0-G2	10382	96	B1-U0-G2	10815	100	B1-U0-G2	11247	104	B1-U0-G2				
			IV-FT-HS	9403	87	B1-U0-G3	9812	91	B1-U0-G3	10221	95	B1-U0-G3	10630	98	B1-U0-G3				
			48	875	134.7	II	15335	114	B3-U0-G2	16001	119	B3-U0-G3	16668	124	B3-U0-G3	17335	129	B3-U0-G3	
II-FR	15437	115				B3-U0-G2	16108	120	B3-U0-G2	16779	125	B3-U0-G2	17450	130	B3-U0-G2				
III-M	15602	116				B3-U0-G2	16281	121	B3-U0-G3	16959	126	B3-U0-G3	17637	131	B3-U0-G3				
III-W	14487	108				B2-U0-G2	15117	112	B2-U0-G3	15746	117	B3-U0-G3	16376	122	B3-U0-G3				
IV	15485	115				B3-U0-G2	16159	120	B3-U0-G2	16832	125	B3-U0-G3	17505	130	B3-U0-G3				
IV-FT	14107	105				B2-U0-G3	14720	109	B3-U0-G3	15333	114	B3-U0-G3	15947	118	B3-U0-G3				
VSQ-N	16186	120				B4-U0-G1	16889	125	B4-U0-G2	17593	131	B4-U0-G2	18297	136	B4-U0-G2				
VSQ-M	15871	118				B4-U0-G2	16561	123	B4-U0-G2	17251	128	B4-U0-G2	17941	133	B4-U0-G2				
VSQ-W	15492	115				B4-U0-G3	16166	120	B4-U0-G3	16839	125	B4-U0-G3	17513	130	B5-U0-G3				
II-HS	11215	83				B1-U0-G2	11703	87	B1-U0-G2	12190	90	B1-U0-G2	12678	94	B1-U0-G2				
II-FR-HS	11408	85				B1-U0-G2	11904	88	B1-U0-G2	12400	92	B1-U0-G2	12896	96	B1-U0-G2				
III-M-HS	11346	84				B1-U0-G2	11839	88	B1-U0-G3	12332	92	B1-U0-G3	12826	95	B1-U0-G3				
III-W-HS	11106	82				B1-U0-G3	11589	86	B1-U0-G3	12072	90	B1-U0-G3	12555	93	B1-U0-G3				
IV-HS	11719	87				B1-U0-G2	12229	91	B1-U0-G2	12738	95	B1-U0-G2	13248	98	B1-U0-G3				
IV-FT-HS	11076	82				B1-U0-G3	11557	86	B1-U0-G3	12039	89	B1-U0-G3	12521	93	B1-U0-G3				

IES File downloads for this product can be found at www.usalgt.com/downloads/asr.html

PAC-PT2 SERIES - PLED

PHOTOMETRIC DATA GUIDE - ISOFOOTCANDLE PLOTS

PAC24-PT-PLED-80LED-525mA-40K - 20' Mounting Height (18' Pole)



PAC-PT2 SERIES - PLED

PHOTOMETRIC DATA GUIDE - LUMEN TABLES (PAC-PT-PLED)

PAC24-PT-PLED																			
LED Count	Drive Current (mA)	System Watts	Dist'n Type	27K (2700K - 70CRI)			30K (3000K - 70CRI)			40K (4000K - 70CRI)			50K (5000K - 70CRI)			System Watts	TRA (590nm)		
				LUMENS	LPW	BUG RATING	LUMENS	LPW	BUG RATING	LUMENS	LPW	BUG RATING	LUMENS	LPW	BUG RATING		LUMENS	LPW	BUG RATING
36	350	41.3	II	5529	134	B1-U0-G1	5769	140	B2-U0-G1	6010	146	B2-U0-G1	6250	151	B2-U0-G1	31.8	1923	60	B1-U0-G1
			II-FR	5567	135	B1-U0-G1	5809	141	B2-U0-G1	6051	147	B2-U0-G1	6293	152	B2-U0-G1		1936	61	B1-U0-G0
			III-M	5626	136	B1-U0-G1	5871	142	B1-U0-G2	6115	148	B1-U0-G2	6360	154	B2-U0-G2		1957	62	B1-U0-G1
			III-W	5224	126	B1-U0-G2	5451	132	B1-U0-G2	5678	137	B1-U0-G2	5905	143	B1-U0-G2		1817	57	B1-U0-G1
			IV	5584	135	B1-U0-G1	5826	141	B1-U0-G1	6069	147	B2-U0-G2	6312	153	B2-U0-G2		1942	61	B1-U0-G1
			IV-FT	5086	123	B1-U0-G2	5307	129	B1-U0-G2	5529	134	B1-U0-G2	5750	139	B1-U0-G2		1769	56	B1-U0-G1
			VSQ-N	5837	141	B2-U0-G1	6091	147	B2-U0-G1	6344	154	B2-U0-G1	6598	160	B2-U0-G1		2030	64	B1-U0-G0
			VSQ-M	5723	139	B3-U0-G1	5972	145	B3-U0-G1	6221	151	B3-U0-G1	6469	157	B3-U0-G1		1991	63	B1-U0-G0
			VSQ-W	5586	135	B3-U0-G2	5829	141	B3-U0-G2	6072	147	B3-U0-G2	6315	153	B3-U0-G2		1943	61	B2-U0-G1
			II-HS	4044	98	B0-U0-G1	4220	102	B0-U0-G1	4395	106	B0-U0-G1	4571	111	B1-U0-G1		1407	44	B0-U0-G0
			II-FR-HS	4114	100	B0-U0-G1	4293	104	B0-U0-G1	4471	108	B0-U0-G1	4650	113	B0-U0-G1		1431	45	B0-U0-G0
			III-M-HS	4091	99	B0-U0-G1	4269	103	B0-U0-G2	4447	108	B0-U0-G2	4624	112	B0-U0-G2		1423	45	B0-U0-G0
			III-W-HS	4005	97	B0-U0-G2	4178	101	B0-U0-G2	4353	105	B0-U0-G2	4527	110	B0-U0-G2		1393	44	B0-U0-G1
			IV-HS	4225	102	B0-U0-G1	4409	107	B0-U0-G1	4592	111	B0-U0-G1	4776	116	B0-U0-G2		1470	46	B0-U0-G0
			IV-FT-HS	3994	97	B0-U0-G2	4167	101	B0-U0-G2	4341	105	B0-U0-G2	4515	109	B0-U0-G2		1389	44	B0-U0-G1
			36	525	62.0	II	7862	127	B2-U0-G2	8204	132	B2-U0-G2	8545	138	B2-U0-G2		8887	143	B2-U0-G2
II-FR	7915	128				B2-U0-G1	8259	133	B2-U0-G1	8603	139	B2-U0-G1	8947	144	B2-U0-G1	2237	47	B1-U0-G0	
III-M	7999	129				B2-U0-G2	8347	135	B2-U0-G2	8695	140	B2-U0-G2	9043	146	B2-U0-G2	2261	47	B1-U0-G1	
III-W	7428	120				B1-U0-G2	7751	125	B1-U0-G2	8074	130	B2-U0-G2	8397	135	B2-U0-G2	2099	44	B1-U0-G1	
IV	7939	128				B2-U0-G2	8284	134	B2-U0-G2	8630	139	B2-U0-G2	8975	145	B2-U0-G2	2244	47	B1-U0-G1	
IV-FT	7232	117				B2-U0-G2	7547	122	B2-U0-G2	7861	127	B2-U0-G2	8176	132	B2-U0-G2	2044	43	B1-U0-G1	
VSQ-N	8297	134				B3-U0-G1	8658	140	B3-U0-G1	9019	145	B3-U0-G1	9380	151	B3-U0-G1	2345	49	B1-U0-G0	
VSQ-M	8137	131				B3-U0-G2	8491	137	B3-U0-G2	8844	143	B3-U0-G2	9198	148	B3-U0-G2	2299	48	B2-U0-G1	
VSQ-W	7943	128				B3-U0-G2	8289	134	B3-U0-G2	8634	139	B4-U0-G2	8980	145	B4-U0-G2	2245	47	B2-U0-G1	
II-HS	5750	93				B1-U0-G2	6000	97	B1-U0-G2	6250	101	B1-U0-G2	6500	105	B1-U0-G2	1625	34	B0-U0-G0	
II-FR-HS	5849	94				B1-U0-G1	6103	98	B1-U0-G1	6357	103	B1-U0-G1	6611	107	B1-U0-G1	1653	35	B0-U0-G0	
III-M-HS	5817	94				B0-U0-G2	6069	98	B0-U0-G2	6322	102	B0-U0-G2	6575	106	B0-U0-G2	1644	34	B0-U0-G1	
III-W-HS	5694	92				B0-U0-G2	5941	96	B0-U0-G2	6189	100	B0-U0-G2	6436	104	B0-U0-G2	1609	34	B0-U0-G1	
IV-HS	6008	97				B0-U0-G2	6269	101	B0-U0-G2	6530	105	B0-U0-G2	6791	110	B0-U0-G2	1698	36	B0-U0-G1	
IV-FT-HS	5678	92				B0-U0-G2	5925	96	B0-U0-G2	6172	100	B0-U0-G2	6419	104	B0-U0-G2	1605	34	B0-U0-G1	
36	700	82.6				II	9889	120	B2-U0-G2	10319	125	B2-U0-G2	10749	130	B2-U0-G2	11179	135	B2-U0-G2	N/A
			II-FR	9955	121	B2-U0-G1	10388	126	B2-U0-G1	10820	131	B2-U0-G1	11253	136	B3-U0-G1				
			III-M	10061	122	B2-U0-G2	10499	127	B2-U0-G2	10936	132	B2-U0-G2	11374	138	B2-U0-G2				
			III-W	9342	113	B2-U0-G3	9748	118	B2-U0-G3	10154	123	B2-U0-G3	10560	128	B2-U0-G3				
			IV	9986	121	B2-U0-G2	10420	126	B2-U0-G2	10854	131	B2-U0-G2	11289	137	B2-U0-G2				
			IV-FT	9096	110	B2-U0-G3	9492	115	B2-U0-G3	9887	120	B2-U0-G3	10283	124	B2-U0-G3				
			VSQ-N	10437	126	B3-U0-G1	10890	132	B3-U0-G1	11344	137	B3-U0-G1	11798	143	B3-U0-G1				
			VSQ-M	10235	124	B3-U0-G2	10680	129	B4-U0-G2	11125	135	B4-U0-G2	11570	140	B4-U0-G2				
			VSQ-W	9990	121	B4-U0-G3	10425	126	B4-U0-G3	10859	131	B4-U0-G3	11294	137	B4-U0-G3				
			II-HS	7232	88	B1-U0-G2	7547	91	B1-U0-G2	7861	95	B1-U0-G2	8175	99	B1-U0-G2				
			II-FR-HS	7356	89	B1-U0-G1	7676	93	B1-U0-G1	7996	97	B1-U0-G1	8315	101	B1-U0-G1				
			III-M-HS	7316	89	B0-U0-G2	7634	92	B1-U0-G2	7952	96	B1-U0-G2	8270	100	B1-U0-G2				
			III-W-HS	7161	87	B0-U0-G2	7472	90	B0-U0-G2	7784	94	B0-U0-G2	8095	98	B1-U0-G2				
			IV-HS	7557	91	B1-U0-G2	7886	95	B1-U0-G2	8214	99	B1-U0-G2	8542	103	B1-U0-G2				
			IV-FT-HS	7142	86	B1-U0-G3	7453	90	B1-U0-G3	7763	94	B1-U0-G3	8074	98	B1-U0-G3				
			36	875	103.1	II	11647	113	B2-U0-G2	12154	118	B2-U0-G2	12660	123	B2-U0-G2	13166	128	B2-U0-G2	
II-FR	11725	114				B3-U0-G1	12235	119	B3-U0-G1	12744	124	B3-U0-G1	13254	129	B3-U0-G1				
III-M	11851	115				B2-U0-G2	12366	120	B2-U0-G2	12881	125	B2-U0-G2	13396	130	B2-U0-G2				
III-W	11003	107				B2-U0-G3	11482	111	B2-U0-G3	11960	116	B2-U0-G3	12438	121	B2-U0-G3				
IV	11762	114				B2-U0-G2	12273	119	B2-U0-G2	12784	124	B2-U0-G2	13296	129	B2-U0-G2				
IV-FT	10715	104				B2-U0-G3	11180	108	B2-U0-G3	11646	113	B2-U0-G3	12112	117	B2-U0-G3				
VSQ-N	12294	119				B3-U0-G1	12828	124	B3-U0-G1	13363	130	B3-U0-G1	13897	135	B3-U0-G1				
VSQ-M	12054	117				B4-U0-G2	12578	122	B4-U0-G2	13102	127	B4-U0-G2	13627	132	B4-U0-G2				
VSQ-W	11767	114				B4-U0-G3	12278	119	B4-U0-G3	12790	124	B4-U0-G3	13302	129	B4-U0-G3				
II-HS	8518	83				B1-U0-G2	8889	86	B1-U0-G2	9259	90	B1-U0-G2	9629	93	B1-U0-G2				
II-FR-HS	8665	84				B1-U0-G1	9042	88	B1-U0-G1	9418	91	B1-U0-G1	9795	95	B1-U0-G1				
III-M-HS	8618	84				B1-U0-G2	8992	87	B1-U0-G2	9367	91	B1-U0-G2	9741	94	B1-U0-G2				
III-W-HS	8436	82				B1-U0-G2	8802	85	B1-U0-G2	9169	89	B1-U0-G2	9536	92	B1-U0-G3				
IV-HS	8901	86				B1-U0-G2	9288	90	B1-U0-G2	9675	94	B1-U0-G2	10062	98	B1-U0-G2				
IV-FT-HS	8413	82				B1-U0-G3	8778	85	B1-U0-G3	9144	89	B1-U0-G3	9510	92	B1-U0-G3				

IES File downloads for this product can be found at www.usalgt.com/downloads/asr.html

PAC-PT2 SERIES - PLED

PHOTOMETRIC DATA GUIDE - LUMEN TABLES (PAC-PT-PLED)

PAC24-PT-PLED																			
LED Count	Drive Current (mA)	System Watts	Dist'n Type	27K (2700K - 70CRI)			30K (3000K - 70CRI)			40K (4000K - 70CRI)			50K (5000K - 70CRI)			System Watts	TRA (590nm)		
				LUMENS	LPW	BUG RATING	LUMENS	LPW	BUG RATING	LUMENS	LPW	BUG RATING	LUMENS	LPW	BUG RATING		LUMENS	LPW	BUG RATING
48	350	53.6	II	7280	136	B2-U0-G2	7596	142	B2-U0-G2	7913	148	B2-U0-G2	8229	154	B2-U0-G2	41.3	2532	61	B1-U0-G1
			II-FR	7329	137	B2-U0-G1	7648	143	B2-U0-G1	7967	149	B2-U0-G1	8285	155	B2-U0-G1		2549	62	B1-U0-G1
			III-M	7407	138	B2-U0-G2	7729	144	B2-U0-G2	8052	150	B2-U0-G2	8374	156	B2-U0-G2		2577	62	B1-U0-G1
			III-W	6878	128	B1-U0-G2	7177	134	B1-U0-G2	7476	139	B1-U0-G2	7775	145	B1-U0-G2		2392	58	B1-U0-G1
			IV	7351	137	B2-U0-G2	7671	143	B2-U0-G2	7991	149	B2-U0-G2	8310	155	B2-U0-G2		2557	62	B1-U0-G1
			IV-FT	6697	125	B1-U0-G2	6988	130	B1-U0-G2	7279	136	B2-U0-G2	7570	141	B2-U0-G2		2329	56	B1-U0-G1
			VSQ-N	7685	143	B2-U0-G1	8019	150	B3-U0-G1	8353	156	B3-U0-G1	8687	162	B3-U0-G1		2673	65	B1-U0-G0
			VSQ-M	7534	141	B3-U0-G1	7862	147	B3-U0-G2	8190	153	B3-U0-G2	8517	159	B3-U0-G2		2621	63	B2-U0-G1
			VSQ-W	7355	137	B3-U0-G2	7674	143	B3-U0-G2	7994	149	B3-U0-G2	8314	155	B3-U0-G2		2558	62	B2-U0-G1
			II-HS	5324	99	B1-U0-G2	5556	104	B1-U0-G2	5787	108	B1-U0-G2	6019	112	B1-U0-G2		1852	45	B0-U0-G1
			II-FR-HS	5416	101	B0-U0-G1	5652	105	B1-U0-G1	5887	110	B1-U0-G1	6123	114	B1-U0-G1		1884	46	B0-U0-G0
			III-M-HS	5386	100	B0-U0-G2	5620	105	B0-U0-G2	5854	109	B0-U0-G2	6089	114	B0-U0-G2		1873	45	B0-U0-G1
			III-W-HS	5272	98	B0-U0-G2	5501	103	B0-U0-G2	5731	107	B0-U0-G2	5960	111	B0-U0-G2		1834	44	B0-U0-G1
			IV-HS	5563	104	B0-U0-G2	5805	108	B0-U0-G2	6047	113	B0-U0-G2	6288	117	B0-U0-G2		1935	47	B0-U0-G1
			IV-FT-HS	5258	98	B0-U0-G2	5487	102	B0-U0-G2	5715	107	B0-U0-G2	5944	111	B0-U0-G2		1829	44	B0-U0-G1
			48	525	80.7	II	10351	128	B2-U0-G2	10801	134	B2-U0-G2	11251	139	B2-U0-G2		11701	145	B2-U0-G2
II-FR	10420	129				B2-U0-G1	10873	135	B2-U0-G1	11326	140	B3-U0-G1	11779	146	B3-U0-G1	2945	47	B1-U0-G1	
III-M	10532	131				B2-U0-G2	10990	136	B2-U0-G2	11448	142	B2-U0-G2	11906	148	B2-U0-G2	2976	48	B1-U0-G1	
III-W	9780	121				B2-U0-G3	10205	126	B2-U0-G3	10630	132	B2-U0-G3	11055	137	B2-U0-G3	2764	45	B1-U0-G1	
IV	10453	130				B2-U0-G2	10907	135	B2-U0-G2	11362	141	B2-U0-G2	11816	146	B2-U0-G2	2954	48	B1-U0-G1	
IV-FT	9522	118				B2-U0-G3	9936	123	B2-U0-G3	10350	128	B2-U0-G3	10764	133	B2-U0-G3	2691	43	B1-U0-G1	
VSQ-N	10925	135				B3-U0-G1	11400	141	B3-U0-G1	11875	147	B3-U0-G1	12350	153	B3-U0-G1	3088	50	B1-U0-G0	
VSQ-M	10713	133				B4-U0-G2	11178	139	B4-U0-G2	11644	144	B4-U0-G2	12110	150	B4-U0-G2	3027	49	B2-U0-G1	
VSQ-W	10459	130				B4-U0-G3	10913	135	B4-U0-G3	11368	141	B4-U0-G3	11823	147	B4-U0-G3	2955	48	B2-U0-G1	
II-HS	7570	94				B1-U0-G2	7900	98	B1-U0-G2	8229	102	B1-U0-G2	8558	106	B1-U0-G2	2139	34	B0-U0-G1	
II-FR-HS	7700	95				B1-U0-G1	8035	100	B1-U0-G1	8370	104	B1-U0-G1	8705	108	B1-U0-G1	2176	35	B0-U0-G0	
III-M-HS	7658	95				B1-U0-G2	7991	99	B1-U0-G2	8324	103	B1-U0-G2	8657	107	B1-U0-G2	2164	35	B0-U0-G1	
III-W-HS	7496	93				B0-U0-G2	7822	97	B0-U0-G2	8148	101	B1-U0-G2	8474	105	B1-U0-G2	2118	34	B0-U0-G1	
IV-HS	7910	98				B1-U0-G2	8254	102	B1-U0-G2	8598	107	B1-U0-G2	8942	111	B1-U0-G2	2235	36	B0-U0-G1	
IV-FT-HS	7476	93				B1-U0-G3	7801	97	B1-U0-G3	8126	101	B1-U0-G3	8451	105	B1-U0-G3	2113	34	B0-U0-G1	
48	700	108.0				II	13020	121	B2-U0-G2	13586	126	B2-U0-G2	14152	131	B2-U0-G2	14718	136	B3-U0-G2	N/A
			II-FR	13106	121	B3-U0-G1	13676	127	B3-U0-G1	14246	132	B3-U0-G1	14816	137	B3-U0-G2				
			III-M	13247	123	B2-U0-G2	13823	128	B2-U0-G2	14399	133	B2-U0-G2	14975	139	B2-U0-G2				
			III-W	12299	114	B2-U0-G3	12834	119	B2-U0-G3	13369	124	B2-U0-G3	13903	129	B2-U0-G3				
			IV	13147	122	B2-U0-G2	13719	127	B2-U0-G2	14291	132	B2-U0-G2	14862	138	B2-U0-G2				
			IV-FT	11976	111	B2-U0-G3	12497	116	B2-U0-G3	13017	121	B2-U0-G3	13538	125	B2-U0-G3				
			VSQ-N	13741	127	B3-U0-G1	14338	133	B3-U0-G1	14936	138	B3-U0-G1	15533	144	B3-U0-G1				
			VSQ-M	13475	125	B4-U0-G2	14061	130	B4-U0-G2	14647	136	B4-U0-G2	15233	141	B4-U0-G2				
			VSQ-W	13153	122	B4-U0-G3	13725	127	B4-U0-G3	14297	132	B4-U0-G3	14869	138	B4-U0-G3				
			II-HS	9522	88	B1-U0-G2	9936	92	B1-U0-G2	10350	96	B1-U0-G2	10763	100	B1-U0-G2				
			II-FR-HS	9685	90	B1-U0-G1	10106	94	B1-U0-G1	10527	97	B1-U0-G1	10948	101	B1-U0-G1				
			III-M-HS	9632	89	B1-U0-G2	10051	93	B1-U0-G2	10469	97	B1-U0-G2	10888	101	B1-U0-G2				
			III-W-HS	9428	87	B1-U0-G3	9838	91	B1-U0-G3	10248	95	B1-U0-G3	10658	99	B1-U0-G3				
			IV-HS	9950	92	B1-U0-G2	10382	96	B1-U0-G2	10815	100	B1-U0-G2	11247	104	B1-U0-G2				
			IV-FT-HS	9403	87	B1-U0-G3	9812	91	B1-U0-G3	10221	95	B1-U0-G3	10630	98	B1-U0-G3				
			48	875	134.7	II	15335	114	B3-U0-G2	16001	119	B3-U0-G3	16668	124	B3-U0-G3	17335	129	B3-U0-G3	
II-FR	15437	115				B3-U0-G2	16108	120	B3-U0-G2	16779	125	B3-U0-G2	17450	130	B3-U0-G2				
III-M	15602	116				B3-U0-G2	16281	121	B3-U0-G3	16959	126	B3-U0-G3	17637	131	B3-U0-G3				
III-W	14487	108				B2-U0-G2	15117	112	B2-U0-G3	15746	117	B3-U0-G3	16376	122	B3-U0-G3				
IV	15485	115				B3-U0-G2	16159	120	B3-U0-G2	16832	125	B3-U0-G3	17505	130	B3-U0-G3				
IV-FT	14107	105				B2-U0-G3	14720	109	B3-U0-G3	15333	114	B3-U0-G3	15947	118	B3-U0-G3				
VSQ-N	16186	120				B4-U0-G1	16889	125	B4-U0-G2	17593	131	B4-U0-G2	18297	136	B4-U0-G2				
VSQ-M	15871	118				B4-U0-G2	16561	123	B4-U0-G2	17251	128	B4-U0-G2	17941	133	B4-U0-G2				
VSQ-W	15492	115				B4-U0-G3	16166	120	B4-U0-G3	16839	125	B4-U0-G3	17513	130	B5-U0-G3				
II-HS	11215	83				B1-U0-G2	11703	87	B1-U0-G2	12190	90	B1-U0-G2	12678	94	B1-U0-G2				
II-FR-HS	11408	85				B1-U0-G2	11904	88	B1-U0-G2	12400	92	B1-U0-G2	12896	96	B1-U0-G2				
III-M-HS	11346	84				B1-U0-G2	11839	88	B1-U0-G3	12332	92	B1-U0-G3	12826	95	B1-U0-G3				
III-W-HS	11106	82				B1-U0-G3	11589	86	B1-U0-G3	12072	90	B1-U0-G3	12555	93	B1-U0-G3				
IV-HS	11719	87				B1-U0-G2	12229	91	B1-U0-G2	12738	95	B1-U0-G2	13248	98	B1-U0-G3				
IV-FT-HS	11076	82				B1-U0-G3	11557	86	B1-U0-G3	12039	89	B1-U0-G3	12521	93	B1-U0-G3				

IES File downloads for this product can be found at www.usalgt.com/downloads/asr.html

PAC-PT2 SERIES - PLED

PHOTOMETRIC DATA GUIDE - LUMEN TABLES (PAC-PT-PLED)

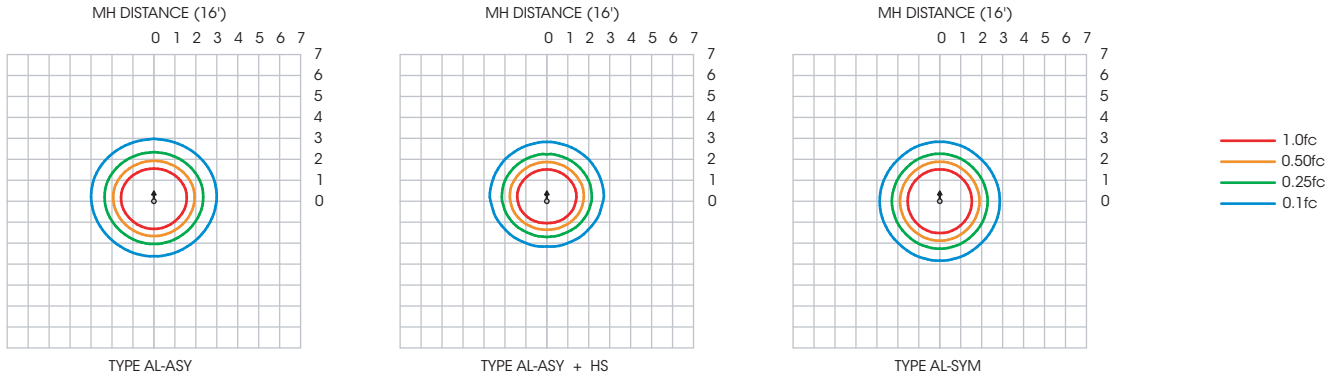
PAC24-PT-PLED																			
LED Count	Drive Current (mA)	System Watts	Dist'n Type	27K (2700K - 70CRI)			30K (3000K - 70CRI)			40K (4000K - 70CRI)			50K (5000K - 70CRI)			System Watts	TRA (590nm)		
				LUMENS	LPW	BUG RATING	LUMENS	LPW	BUG RATING	LUMENS	LPW	BUG RATING	LUMENS	LPW	BUG RATING		LUMENS	LPW	BUG RATING
80	350	85.8	II	11652	136	B2-U0-G2	12159	142	B2-U0-G2	12665	148	B2-U0-G2	13172	154	B2-U0-G2	66.1	4053	61	B1-U0-G1
			II-FR	11730	137	B3-U0-G1	12240	143	B3-U0-G1	12750	149	B3-U0-G1	13260	155	B3-U0-G1		4080	62	B1-U0-G1
			III-M	11856	138	B2-U0-G2	12371	144	B2-U0-G2	12887	150	B2-U0-G2	13403	156	B2-U0-G2		4124	62	B1-U0-G1
			III-W	11008	128	B2-U0-G3	11487	134	B2-U0-G3	11965	139	B2-U0-G3	12444	145	B2-U0-G3		3829	58	B1-U0-G1
			IV	11767	137	B2-U0-G2	12279	143	B2-U0-G2	12790	149	B2-U0-G2	13302	155	B2-U0-G2		4093	62	B1-U0-G1
			IV-FT	10719	125	B2-U0-G3	11185	130	B2-U0-G3	11651	136	B2-U0-G3	12117	141	B2-U0-G3		3728	56	B1-U0-G2
			VSQ-N	12299	143	B3-U0-G1	12833	150	B3-U0-G1	13368	156	B3-U0-G1	13903	162	B3-U0-G1		4278	65	B2-U0-G0
			VSQ-M	12060	141	B4-U0-G2	12584	147	B4-U0-G2	13109	153	B4-U0-G2	13633	159	B4-U0-G2		4195	63	B2-U0-G1
			VSQ-W	11772	137	B4-U0-G3	12284	143	B4-U0-G3	12796	149	B4-U0-G3	13308	155	B4-U0-G3		4095	62	B3-U0-G1
			II-HS	8522	99	B1-U0-G2	8892	104	B1-U0-G2	9263	108	B1-U0-G2	9633	112	B1-U0-G2		2964	45	B0-U0-G1
			II-FR-HS	8669	101	B1-U0-G1	9046	105	B1-U0-G1	9422	110	B1-U0-G1	9799	114	B1-U0-G1		3015	46	B0-U0-G0
			III-M-HS	8622	100	B1-U0-G2	8997	105	B1-U0-G2	9371	109	B1-U0-G2	9746	114	B1-U0-G2		2999	45	B0-U0-G1
			III-W-HS	8439	98	B1-U0-G2	8806	103	B1-U0-G2	9173	107	B1-U0-G2	9540	111	B1-U0-G3		2935	44	B0-U0-G1
			IV-HS	8905	104	B1-U0-G2	9292	108	B1-U0-G2	9679	113	B1-U0-G2	10066	117	B1-U0-G2		3097	47	B0-U0-G1
			IV-FT-HS	8416	98	B1-U0-G3	8782	102	B1-U0-G3	9148	107	B1-U0-G3	9514	111	B1-U0-G3		2927	44	B0-U0-G1
			80	525	129.7	II	16744	129	B3-U0-G3	17472	135	B3-U0-G3	18200	140	B3-U0-G3		18928	146	B3-U0-G3
II-FR	16857	130				B3-U0-G2	17589	136	B3-U0-G2	18322	141	B3-U0-G2	19055	147	B3-U0-G2	4764	48	B1-U0-G1	
III-M	17037	131				B3-U0-G3	17778	137	B3-U0-G3	18518	143	B3-U0-G3	19259	148	B3-U0-G3	4815	48	B1-U0-G1	
III-W	15819	122				B3-U0-G3	16507	127	B3-U0-G3	17195	133	B3-U0-G3	17882	138	B3-U0-G3	4471	45	B1-U0-G2	
IV	16909	130				B3-U0-G3	17644	136	B3-U0-G3	18379	142	B3-U0-G3	19114	147	B3-U0-G3	4779	48	B1-U0-G1	
IV-FT	15403	119				B3-U0-G3	16073	124	B3-U0-G4	16742	129	B3-U0-G4	17412	134	B3-U0-G4	4353	44	B1-U0-G2	
VSQ-N	17673	136				B4-U0-G2	18441	142	B4-U0-G2	19210	148	B4-U0-G2	19978	154	B4-U0-G2	4994	50	B2-U0-G1	
VSQ-M	17331	134				B4-U0-G2	18084	139	B4-U0-G2	18837	145	B4-U0-G2	19591	151	B4-U0-G2	4898	49	B3-U0-G1	
VSQ-W	16917	130				B5-U0-G3	17652	136	B5-U0-G3	18387	142	B5-U0-G3	19123	147	B5-U0-G3	4781	48	B3-U0-G2	
II-HS	12246	94				B1-U0-G2	12778	99	B1-U0-G2	13311	103	B1-U0-G3	13843	107	B1-U0-G3	3461	35	B0-U0-G1	
II-FR-HS	12457	96				B1-U0-G2	12998	100	B1-U0-G2	13540	104	B1-U0-G2	14081	109	B1-U0-G2	3520	35	B0-U0-G1	
III-M-HS	12389	96				B1-U0-G3	12928	100	B1-U0-G3	13466	104	B1-U0-G3	14005	108	B1-U0-G3	3501	35	B0-U0-G1	
III-W-HS	12127	93				B1-U0-G3	12654	98	B1-U0-G3	13181	102	B1-U0-G3	13708	106	B1-U0-G3	3427	34	B0-U0-G1	
IV-HS	12797	99				B1-U0-G2	13353	103	B1-U0-G3	13909	107	B1-U0-G3	14465	112	B1-U0-G3	3616	36	B0-U0-G1	
IV-FT-HS	12093	93				B1-U0-G3	12619	97	B1-U0-G3	13145	101	B1-U0-G3	13671	105	B1-U0-G3	3418	34	B0-U0-G2	
80	700	173.5				II	21195	122	B3-U0-G3	22116	127	B3-U0-G3	23038	133	B3-U0-G3	23960	138	B3-U0-G3	N/A
			II-FR	21337	123	B3-U0-G2	22265	128	B3-U0-G2	23193	134	B3-U0-G2	24121	139	B3-U0-G2				
			III-M	21566	124	B3-U0-G3	22504	130	B3-U0-G3	23441	135	B3-U0-G3	24379	141	B3-U0-G4				
			III-W	20024	115	B3-U0-G4	20894	120	B3-U0-G4	21765	125	B3-U0-G4	22636	130	B3-U0-G4				
			IV	21404	123	B3-U0-G3	22335	129	B3-U0-G3	23265	134	B3-U0-G3	24196	139	B3-U0-G3				
			IV-FT	19498	112	B3-U0-G4	20346	117	B3-U0-G4	21193	122	B3-U0-G4	22041	127	B3-U0-G4				
			VSQ-N	22371	129	B4-U0-G2	23343	135	B4-U0-G2	24316	140	B4-U0-G2	25289	146	B4-U0-G2				
			VSQ-M	21937	126	B5-U0-G3	22891	132	B5-U0-G3	23845	137	B5-U0-G3	24799	143	B5-U0-G3				
			VSQ-W	21413	123	B5-U0-G4	22344	129	B5-U0-G4	23275	134	B5-U0-G4	24206	140	B5-U0-G4				
			II-HS	15501	89	B1-U0-G3	16175	93	B1-U0-G3	16849	97	B1-U0-G3	17523	101	B1-U0-G3				
			II-FR-HS	15768	91	B1-U0-G2	16454	95	B1-U0-G2	17139	99	B1-U0-G2	17824	103	B1-U0-G2				
			III-M-HS	15683	90	B1-U0-G3	16365	94	B1-U0-G3	17046	98	B1-U0-G3	17728	102	B1-U0-G4				
			III-W-HS	15350	88	B1-U0-G4	16018	92	B1-U0-G4	16685	96	B1-U0-G4	17353	100	B1-U0-G4				
			IV-HS	16198	93	B1-U0-G3	16902	97	B1-U0-G3	17606	101	B1-U0-G3	18310	106	B1-U0-G3				
			IV-FT-HS	15308	88	B1-U0-G4	15974	92	B1-U0-G4	16639	96	B1-U0-G4	17305	100	B1-U0-G4				
			80	875	221.5	II	25400	115	B3-U0-G3	26504	120	B3-U0-G4	27608	125	B3-U0-G4	28713	130	B3-U0-G4	
II-FR	25570	115				B3-U0-G2	26682	120	B3-U0-G2	27794	125	B3-U0-G2	28905	130	B4-U0-G2				
III-M	25844	117				B3-U0-G4	26967	122	B3-U0-G4	28091	127	B3-U0-G4	29215	132	B3-U0-G4				
III-W	23996	108				B3-U0-G4	25040	113	B3-U0-G4	26083	118	B3-U0-G4	27126	122	B3-U0-G4				
IV	25650	116				B3-U0-G4	26765	121	B3-U0-G4	27880	126	B3-U0-G4	28996	131	B3-U0-G4				
IV-FT	23365	105				B3-U0-G4	24381	110	B3-U0-G5	25397	115	B3-U0-G5	26413	119	B3-U0-G5				
VSQ-N	26808	121				B5-U0-G2	27974	126	B5-U0-G2	29139	132	B5-U0-G2	30305	137	B5-U0-G2				
VSQ-M	26289	119				B5-U0-G3	27432	124	B5-U0-G3	28575	129	B5-U0-G3	29718	134	B5-U0-G3				
VSQ-W	25661	116				B5-U0-G4	26777	121	B5-U0-G4	27893	126	B5-U0-G4	29008	131	B5-U0-G4				
II-HS	18576	84				B1-U0-G3	19384	88	B1-U0-G3	20191	91	B1-U0-G4	20999	95	B2-U0-G4				
II-FR-HS	18896	85				B1-U0-G2	19717	89	B1-U0-G2	20539	93	B1-U0-G2	21360	96	B1-U0-G2				
III-M-HS	18794	85				B1-U0-G4	19611	89	B1-U0-G4	20428	92	B1-U0-G4	21245	96	B1-U0-G4				
III-W-HS	18395	83				B1-U0-G4	19195	87	B1-U0-G4	19995	90	B1-U0-G4	20795	94	B1-U0-G4				
IV-HS	19411	88				B1-U0-G4	20255	91	B1-U0-G4	21099	95	B1-U0-G4	21943	99	B1-U0-G4				
IV-FT-HS	18345	83				B1-U0-G4	19143	86	B1-U0-G4	19940	90	B1-U0-G4	20738	94	B1-U0-G4				

IES File downloads for this product can be found at www.usalgt.com/downloads/asr.html

PAC-PT2 SERIES - PLED

PHOTOMETRIC DATA GUIDE - ISOFOOTCANDLE PLOTS

PAC18-PT-PLED-AL-48LED-525mA-40K - 16' Mounting Height (14' Pole)



PHOTOMETRIC DATA GUIDE - LUMEN TABLES (PAC-PLED-AL)

PAC18-PT-PLED-AL																			
LED Count	Drive Current (mA)	System Watts	Dist'n Type	27K (2700K - 70CRI)			30K (3000K - 70CRI)			40K (4000K - 70CRI)			50K (5000K - 70CRI)			System Watts	TRA (590nm)		
				LUMENS	LPW	BUG RATING	LUMENS	LPW	BUG RATING	LUMENS	LPW	BUG RATING	LUMENS	LPW	BUG RATING		LUMENS	LPW	BUG RATING
48	175	26.5	ASY	2953	111	B1-U0-G1	3081	116	B1-U0-G1	3210	121	B1-U0-G1	3338	126	B1-U0-G1	20.4	1156	57	B1-U0-G1
			SYM	2956	112	B1-U0-G1	3085	116	B1-U0-G1	3213	121	B1-U0-G1	3342	126	B1-U0-G1		1157	57	B1-U0-G0
			ASY-HS	2113	80	B1-U0-G1	2205	83	B1-U0-G1	2297	87	B1-U0-G1	2389	90	B1-U0-G1		827	41	B0-U0-G0
48	350	53.6	ASY	5572	104	B2-U0-G1	5814	108	B2-U0-G1	6057	113	B2-U0-G1	6299	118	B2-U0-G2	41.3	1938	47	B1-U0-G1
			SYM	5578	104	B2-U0-G1	5820	109	B2-U0-G1	6063	113	B2-U0-G1	6306	118	B2-U0-G1		1940	47	B1-U0-G0
			ASY-HS	3987	74	B1-U0-G1	4160	78	B1-U0-G1	4334	81	B1-U0-G1	4508	84	B1-U0-G1		1387	34	B1-U0-G0
48	525	80.7	ASY	7923	98	B2-U0-G2	8268	102	B3-U0-G2	8612	107	B3-U0-G2	8957	111	B3-U0-G2	62.1	2239	36	B1-U0-G1
			SYM	7932	98	B3-U0-G1	8276	103	B3-U0-G1	8622	107	B3-U0-G1	8966	111	B3-U0-G1		2241	36	B1-U0-G1
			ASY-HS	5670	70	B2-U0-G1	5916	73	B2-U0-G1	6163	76	B2-U0-G1	6409	79	B2-U0-G1		1602	26	B1-U0-G1
48	700	108.0	ASY	9968	92	B3-U0-G2	10401	96	B3-U0-G2	10835	100	B3-U0-G2	11268	104	B3-U0-G2	N/A	N/A		
			SYM	9979	92	B3-U0-G1	10413	96	B3-U0-G1	10847	100	B3-U0-G1	11280	104	B3-U0-G1				
			ASY-HS	7133	66	B2-U0-G1	7443	69	B2-U0-G1	7753	72	B2-U0-G1	8063	75	B2-U0-G2				
48	875	134.7	ASY	11734	87	B3-U0-G2	12245	91	B3-U0-G2	12755	95	B3-U0-G3	13265	98	B3-U0-G3	N/A	N/A		
			SYM	11747	87	B3-U0-G1	12258	91	B3-U0-G1	12769	95	B3-U0-G1	13279	99	B3-U0-G1				
			ASY-HS	8397	62	B2-U0-G2	8762	65	B2-U0-G2	9127	68	B2-U0-G2	9492	70	B3-U0-G2				

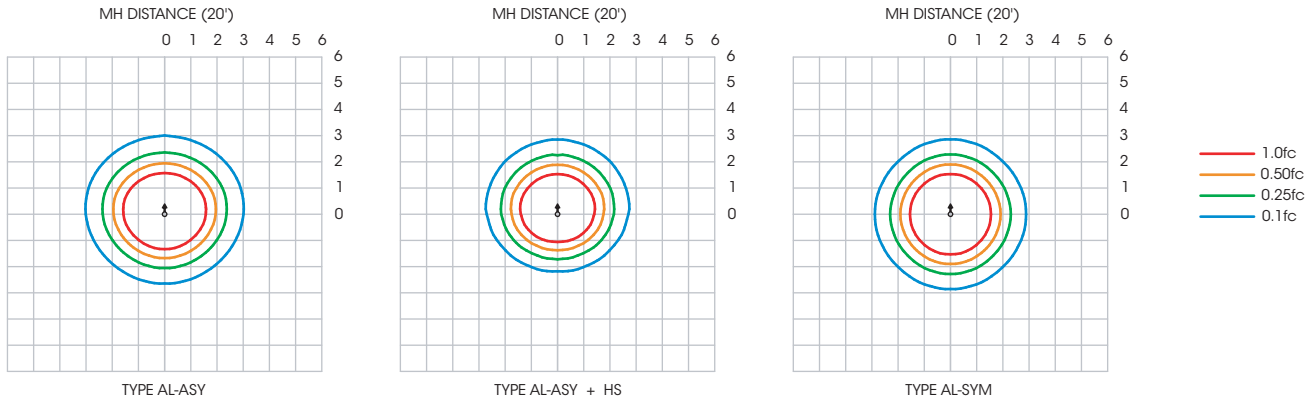
IES File downloads for this product can be found at www.usalgt.com/downloads/asr.html

IES File downloads for this product can be found at www.usalgt.com/downloads/asr.html

PAC-PT2 SERIES - PLED

PHOTOMETRIC DATA GUIDE - ISOFOOTCANDLE PLOTS

PAC24-PT-PLED-AL-80LED-525mA-40K - 20' Mounting Height (18' Pole)



PHOTOMETRIC DATA GUIDE - LUMEN TABLES (PAC-PT-PLED-AL)

PAC24-PT-PLED-AL																			
LED Count	Drive Current (mA)	System Watts	Dist'n Type	27K (2700K - 70CRI)			30K (3000K - 70CRI)			40K (4000K - 70CRI)			50K (5000K - 70CRI)			System Watts	TRA (590nm)		
				LUMENS	LPW	BUG RATING	LUMENS	LPW	BUG RATING	LUMENS	LPW	BUG RATING	LUMENS	LPW	BUG RATING		LUMENS	LPW	BUG RATING
80	175	41.9	ASY	4725	113	B2-U0-G1	4930	118	B2-U0-G1	5136	123	B2-U0-G1	5341	127	B2-U0-G1	32.3	1849	57	B1-U0-G1
			SYM	4730	113	B2-U0-G1	4936	118	B2-U0-G1	5141	123	B2-U0-G1	5347	128	B2-U0-G1		1851	57	B1-U0-G0
			ASY-HS	3381	81	B1-U0-G1	3529	84	B1-U0-G1	3676	88	B1-U0-G1	3822	91	B1-U0-G1		1323	41	B1-U0-G0
80	350	85.8	ASY	8915	104	B3-U0-G2	9303	108	B3-U0-G2	9691	113	B3-U0-G2	10078	117	B3-U0-G2	66.1	3101	47	B1-U0-G1
			SYM	8925	104	B3-U0-G1	9312	109	B3-U0-G1	9700	113	B3-U0-G1	10089	118	B3-U0-G1		3104	47	B1-U0-G1
			ASY-HS	6379	74	B2-U0-G1	6657	78	B2-U0-G1	6934	81	B2-U0-G1	7212	84	B2-U0-G1		2219	34	B1-U0-G1
80	525	129.7	ASY	12677	98	B3-U0-G3	13228	102	B3-U0-G3	13779	106	B3-U0-G3	14331	110	B3-U0-G3	99.9	3583	36	B1-U0-G1
			SYM	12691	98	B3-U0-G1	13242	102	B3-U0-G1	13794	106	B3-U0-G1	14346	111	B3-U0-G1		3587	36	B1-U0-G1
			ASY-HS	9072	70	B2-U0-G2	9466	73	B3-U0-G2	9860	76	B3-U0-G2	10255	79	B3-U0-G2		2564	26	B1-U0-G1
80	700	173.5	ASY	15949	92	B3-U0-G3	16642	96	B3-U0-G3	17335	100	B3-U0-G3	18030	104	B3-U0-G3	N/A	N/A		
			SYM	15967	92	B3-U0-G1	16660	96	B3-U0-G1	17355	100	B3-U0-G1	18049	104	B3-U0-G1		N/A		
			ASY-HS	11413	66	B3-U0-G2	11909	69	B3-U0-G2	12405	71	B3-U0-G2	12901	74	B3-U0-G2		N/A		
80	875	221.5	ASY	18775	85	B3-U0-G3	19592	88	B3-U0-G3	20408	92	B3-U0-G3	21224	96	B4-U0-G3	N/A	N/A		
			SYM	18796	85	B4-U0-G1	19613	89	B4-U0-G1	20430	92	B4-U0-G2	21247	96	B4-U0-G2		N/A		
			ASY-HS	13435	61	B3-U0-G2	14019	63	B3-U0-G2	14603	66	B3-U0-G2	15187	69	B3-U0-G2		N/A		

IES File downloads for this product can be found at www.usaltg.com/downloads/asr.html



D-Series Size 0 LED Area Luminaire

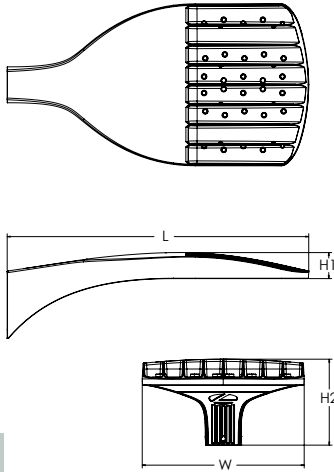


Catalog Number
Notes
Type

Hit the Tab key or mouse over the page to see all interactive elements.

Specifications

EPA:	0.44 ft ² (0.04 m ²)
Length:	26.18" (66.5 cm)
Width:	14.06" (35.7 cm)
Height H1:	2.26" (5.7 cm)
Height H2:	7.46" (18.9 cm)
Weight:	23 lbs (10.4 kg)



ds Design Select options indicated by this color background.

Introduction

The modern styling of the D-Series features a highly refined aesthetic that blends seamlessly with its environment. The D-Series offers the benefits of the latest in LED technology into a high performance, high efficacy, long-life luminaire.

The photometric performance results in sites with excellent uniformity, greater pole spacing and lower power density. D-Series outstanding photometry aids in reducing the number of poles required in area lighting applications, with typical energy savings of 70% and expected service life of over 100,000 hours.



Items marked by a shaded background qualify for the Design Select program and ship in 15 days or less. To learn more about Design Select, visit www.acuitybrands.com/designselect. *See ordering tree for details

Ordering Information

EXAMPLE: DSX0 LED P6 40K 70CRI T3M MVOLT SPA NLTAIR2 PIRHN DDBXD

DSX0 LED	Series	LEDs	Color temperature ²	Color Rendering Index ²	Distribution	Voltage	Mounting	
DSX0 LED	Forward optics	P1 P5	(this section 70CRI only)	70CRI	AFR Automotive front row	T5M Type V medium	MVOLT (120V-277V) ⁴	Shipped included
	P2 P6	30K 3000K	70CRI	T1S Type I short	T5LG Type V low glare	HVOLT (347V-480V) ^{5,6}	SPA Square pole mounting (#8 drilling, 3.5" min. SQ pole)	
	P3 P7	40K 4000K	70CRI	T2M Type II medium	T5W Type V wide	XVOLT (277V-480V) ^{7,8}	RPA Round pole mounting (#8 drilling, 3" min. RND pole)	
	P4	50K 5000K	70CRI	T3M Type III medium	BLC3 Type III backlight control ³	120 ^{16, 24}	SPA5 Square pole mounting (#5 drilling, 3" min. SQ pole) ⁹	
	Rotated optics		(this section 80CRI only, extended lead times apply)	T3LG Type III low glare ³	BLC4 Type IV backlight control ³	208 ^{16, 24}	RPAS Round pole mounting (#5 drilling, 3" min. RND pole) ⁹	
	P10 ¹ P12 ¹	27K 2700K	80CRI	T4M Type IV medium	LCCO Left corner cutoff ³	240 ^{16, 24}	SPA8N Square narrow pole mounting (#8 drilling, 3" min. SQ pole)	
	P11 ¹ P13 ¹	30K 3000K	80CRI	T4LG Type IV low glare ³	RCCO Right corner cutoff ³	277 ^{16, 24}	WBA Wall bracket ¹⁰	
		35K 3500K	80CRI	TFTM Forward throw medium		347 ^{16, 24}	MA Mast arm adapter (mounts on 2 3/8" OD horizontal tenon)	
		40K 4000K	80CRI			480 ^{16, 24}		
		50K 5000K	80CRI					
Control options				Other options			Finish (required)	
Shipped installed				Shipped installed			DDBXD Dark Bronze	
NLTAIR2 PIRHN	nLight AIR gen 2 enabled with bi-level motion / ambient sensor, 8-40' mounting height, ambient sensor enabled at 2fc. ^{11, 12, 18, 19}			PER7	Seven-pin receptacle only (controls ordered separate) ^{14, 19}		DBLXD Black	
PIR	High/low, motion/ambient sensor, 8-40' mounting height, ambient sensor enabled at 2fc. ^{13, 18, 19}			FAO	Field adjustable output ^{15, 19}		DNAXD Natural Aluminum	
PER	NEMA twist-lock receptacle only (controls ordered separate) ¹⁴			BL30	Bi-level switched dimming, 30% ^{16, 19}		DWHXD White	
PER5	Five-pin receptacle only (controls ordered separate) ^{14, 19}			BL50	Bi-level switched dimming, 50% ^{16, 19}		DOBTXD Textured dark bronze	
				DMG	0-10v dimming wires pulled outside fixture (for use with an external control, ordered separately) ¹⁷		DBLBXD Textured black	
					BAA Buy America(n) Act Compliant		DNATXD Textured natural aluminum	
					SF Single fuse (120, 277, 347V) ²⁴		DWHGXD Textured white	
					DF Double fuse (208, 240, 480V) ²⁴			
					Shipped separately			
					EGSR External Glare Shield (reversible, field install required, matches housing finish)			
					BSDB Bird Spikes (field install required)			



Ordering Information

Accessories

Ordered and shipped separately.

DLL127F 1.5 JU	Photocell - SSL twist-lock (120-277V) ²³
DLL347F 1.5 CUL JU	Photocell - SSL twist-lock (347V) ²³
DLL480F 1.5 CUL JU	Photocell - SSL twist-lock (480V) ²³
DSHORT SBK	Shorting cap ²³
DSX0HS P#	House-side shield (enter package number P1-7, P10-13 in place of #)
DSXRPA (FINISH)	Round pole adapter (#8 drilling, specify finish)
DSXRPA5 (FINISH)	Round pole adapter #5 drilling (specify finish)
DSXSPA5 (FINISH)	Square pole adapter #5 drilling (specify finish)
DSX0EGSR (FINISH)	External glare shield (specify finish)
DSX0SDB (FINISH)	Bird spike deterrent bracket (specify finish)

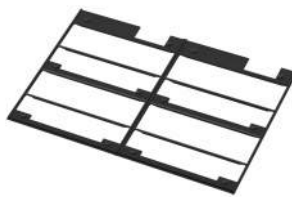
NOTES

- 1 Rotated optics available with packages P10, P11, P12 and P13. Must be combined with option L90 or R90.
- 2 30K, 40K, and 50K available in 70CRI and 80CRI. 27K and 35K only available with 80CRI. Contact Technical Support for other possible combinations.
- 3 T3LG, T4LG, BLC3, BLC4, LCCO, RCCO not available with option HS.
- 4 MVOLT driver operates on any line voltage from 120-277V (50/60 Hz).
- 5 HVOLT driver operates on any line voltage from 347-480V (50/60 Hz).
- 6 HVOLT not available with package P1, P2 and P10 when combined with option NLTAIR2 PIRHN or option PIR.
- 7 XVOLT operates with any voltage between 277V and 480V (50/60 Hz).
- 8 XVOLT not available in packages P1, P2 or P10. XVOLT not available with fusing (SF or DF).
- 9 SPAS and RPA5 for use with #5 drilling only (Not for use with #8 drilling).
- 10 WBA cannot be combined with Type 5 distributions plus photocell (PER).
- 11 NLTAIR2 and PIRHN must be ordered together. For more information on nLight Air 2.
- 12 NLTAIR2 PIRHN not available with other controls including PIR, PER, PER5, PER7, FAO, BL30, BL50 and DMG. NLTAIR2 PIRHN not available with P1, P2 and P10 using HVOLT. NLTAIR2 PIRHN not available with P1, P2 and P10 using XVOLT. NLTAIR2 PIRHN not available with P1 using MVOLT.
- 13 PIR not available with NLTAIR2, PER, PER5, PER7, FAO BL30, BL50 and DMG. PIR not available with P1, P2 and P10 using HVOLT. PIR not available with P1, P2 and P10 using XVOLT. PIR not available with P1 using MVOLT.
- 14 PER/PER5/PER7 not available with NLTAIR2, PIR, BL30, BL50. Photocell ordered and shipped as a separate line item from Acuity Brands Controls. See accessories. Shorting Cap included.
- 15 FAO not available with other dimming control options NLTAIR2 PIRHN, PIR, PER5, PER7, BL30, BL50, or DMG.
- 16 BL30 and BL50 are not available with NLTAIR2 PIRHN, PIR, PER, PER5, PER7, FAO and DMG. BL30 or BL50 must specify 120, 277 or 347V. Consult tech support for 208, 240 or 480V.
- 17 DMG not available with NLTAIR2 PIRHN, PIR, PER, PER5, PER7, BL30, BL50 and FAO.
- 18 Reference Motion Sensor Default Settings table on page 4 to see functionality.
- 19 Reference Controls Options table on page 4.
- 20 Option HS not available with T3LG, T4LG, BLC3, BLC4, LCCO and RCCO distribution. Also available as a separate accessory; see Accessories information.
- 21 CCE option not available with option B5 and EGSR. Contact Technical Support for availability.
- 22 Option HA not available with performance packages P6, P7, P12 and P13.
- 23 Requires luminaire to be specified with PER, PER5 or PER7 option. See Controls Table on page 4.
- 24 Single fuse (SF) requires 120V, 277V, or 347V. Double fuse (DF) requires 208V, 240V or 480V. XVOLT not available with fusing (SF or DF).

Shield Accessories



External Glare Shield (EGSR)

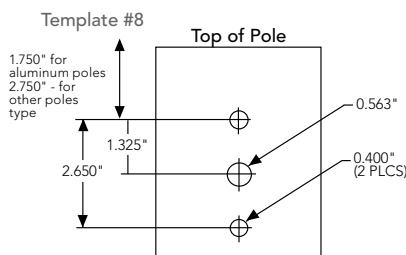
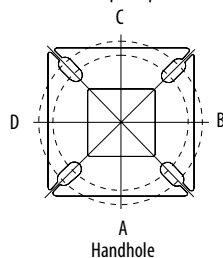


House Side Shield (HS)

Drilling

HANDHOLE ORIENTATION

(from top of pole)



Tenon Mounting Slipfitter

Tenon O.D.	Mounting	Single Unit	2 @ 180	2 @ 90	3 @ 90	3 @ 120	4 @ 90
2-3/8"	RPA	AS3-5 190	AS3-5 280	AS3-5 290	AS3-5 390	AS3-5 320	AS3-5 490
2-7/8"	RPA	AST25-190	AST25-280	AST25-290	AST25-390	AST25-320	AST25-490
4"	RPA	AST35-190	AST35-280	AST35-290	AST35-390	AST35-320	AST35-490

Mounting Option	Drilling Template	Single	2 @ 180	2 @ 90	3 @ 90	3 @ 120	4 @ 90
Head Location		Side B	Side B & D	Side B & C	Side B, C & D	Round Pole Only	Side A, B, C & D
Drill Nomenclature	#8	DM19AS	DM28AS	DM29AS	DM39AS	DM32AS	DM49AS
Minimum Acceptable Outside Pole Dimension							
SPA	#8	3.5"	3.5"	3.5"	3.5"	3"	3.5"
RPA	#8	3"	3"	3"	3"	3"	3"
SPAS	#5	3"	3"	3"	3"	3"	3"
RPA5	#5	3"	3"	3"	3"	3"	3"
SPA8N	#8	3"	3"	3"	3"	3"	3"

DSX0 Area Luminaire - EPA

*Includes luminaire and integral mounting arm. Other tenons, arms, brackets or other accessories are not included in this EPA data.

Fixture Quantity & Mounting Configuration	Single DM19	2 @ 180 DM28	2 @ 90 DM29	3 @ 90 DM39	3 @ 120 DM32	4 @ 90 DM49
Mounting Type						
DSX0 with SPA	0.44	0.88	0.96	1.18	---	1.16
DSX0 with SPAS, SPA8N	0.51	1.02	1.06	1.26	---	1.29
DSX0 with RPA, RPA5	0.51	1.02	1.06	1.26	1.24	1.29
DSX0 with MA	0.64	1.28	1.24	1.67	1.70	1.93

Isofootcandle plots for the DSX0 LED P7 40K 70CRI. Distances are in units of mounting height (20').



Performance Data

Lumen Ambient Temperature (LAT) Multipliers

Use these factors to determine relative lumen output for average ambient temperatures from 0-40°C (32-104°F).

Ambient	Lumen Multiplier	
0°C	32°F	1.04
5°C	41°F	1.04
10°C	50°F	1.03
15°C	59°F	1.02
20°C	68°F	1.01
25°C	77°C	1.00
30°C	86°F	0.99
35°C	95°F	0.98
40°C	104°F	0.97

Projected LED Lumen Maintenance

Data references the extrapolated performance projections for the platforms noted in a **25°C ambient**, based on 10,000 hours of LED testing (tested per IESNA LM-80-08 and projected per IESNA TM-21-11).

To calculate LLF, use the lumen maintenance factor that corresponds to the desired number of operating hours below. For other lumen maintenance values, contact factory.

Operating Hours	Lumen Maintenance Factor
0	1.00
25,000	0.94
50,000	0.89
100,000	0.80

FAO Dimming Settings

FAO Position	% Wattage	% Lumen Output
8	100%	100%
7	93%	95%
6	80%	85%
5	66%	73%
4	54%	61%
3	41%	49%
2	29%	36%
1	15%	20%

*Note: Calculated values are based on original performance package data. When calculating new values for given FAO position, use published values for each package based on input watts and lumens by optic type.

Electrical Load

	Performance Package	LED Count	Drive Current (mA)	Wattage	Current (A)					
					120V	208V	240V	277V	347V	480V
Forward Optics (Non-Rotated)	P1	20	530	34	0.28	0.16	0.14	0.12	0.10	0.07
	P2	20	700	45	0.38	0.22	0.19	0.16	0.13	0.09
	P3	20	1050	69	0.57	0.33	0.29	0.25	0.20	0.14
	P4	20	1400	94	0.78	0.45	0.39	0.34	0.27	0.19
	P5	40	700	89	0.75	0.43	0.38	0.33	0.26	0.19
	P6	40	1050	136	1.14	0.66	0.57	0.49	0.39	0.29
	P7	40	1300	170	1.42	0.82	0.71	0.62	0.49	0.36
Rotated Optics (Requires L90 or R90)	P10	30	530	51	0.42	0.24	0.21	0.18	0.15	0.11
	P11	30	700	67	0.57	0.33	0.28	0.25	0.20	0.14
	P12	30	1050	103	0.86	0.50	0.43	0.37	0.30	0.22
	P13	30	1300	129	1.07	0.62	0.54	0.46	0.37	0.27

LED Color Temperature / Color Rendering Multipliers

	70 CRI		80CRI		90CRI	
	Lumen Multiplier	Availability	Lumen Multiplier	Availability	Lumen Multiplier	Availability
5000K	102%	Standard	92%	Extended lead-time	71%	(see note)
4000K	100%	Standard	92%	Extended lead-time	67%	(see note)
3500K	100%	(see note)	90%	Extended lead-time	63%	(see note)
3000K	96%	Standard	87%	Extended lead-time	61%	(see note)
2700K	94%	(see note)	85%	Extended lead-time	57%	(see note)

Note: Some LED types are available as per special request. Contact Technical Support for more information.

Motion Sensor Default Settings

Option	Unoccupied Dimmed Level	High Level (when occupied)	Photocell Operation	Dwell Time	Ramp-up Time	Dimming Fade Rate
PIR	30%	100%	Enabled @ 2FC	7.5 min	3 sec	5 min
NLTAIR2 PIRHN	30%	100%	Enabled @ 2FC	7.5 min	3 sec	5 min

Controls Options

Nomenclature	Description	Functionality	Primary control device	Notes
FAO	Field adjustable output device installed inside the luminaire; wired to the driver dimming leads.	Allows the luminaire to be manually dimmed, effectively trimming the light output.	FAO device	Cannot be used with other controls options that need the 0-10V leads
DS (not available on DSX0)	Drivers wired independently for 50/50 luminaire operation	The luminaire is wired to two separate circuits, allowing for 50/50 operation.	Independently wired drivers	Requires two separately switched circuits. Consider nLight AIR as a more cost effective alternative.
PERS or PER7	Twist-lock photocell receptacle	Compatible with standard twist-lock photocells for dusk to dawn operation, or advanced control nodes that provide 0-10V dimming signals.	Twist-lock photocells such as DLL Elite or advanced control nodes such as ROAM.	Pins 4 & 5 to dimming leads on driver, Pins 6 & 7 are capped inside luminaire. Cannot be used with other controls options that need the 0-10V leads.
PIR	Motion sensor with integral photocell. Sensor suitable for 8' to 40' mounting height.	Luminaires dim when no occupancy is detected.	Acuity Controls rSBG	Cannot be used with other controls options that need the 0-10V leads.
NLTAIR2 PIRHN	nLight AIR enabled luminaire for motion sensing, photocell and wireless communication.	Motion and ambient light sensing with group response. Scheduled dimming with motion sensor over-ride when wirelessly connected to the nLight Eclipse.	nLight Air rSBG	nLight AIR sensors can be programmed and commissioned from the ground using the CIAIRity Pro app. Cannot be used with other controls options that need the 0-10V leads.
BL30 or BL50	Integrated bi-level device that allows a second control circuit to switch all light engines to either 30% or 50% light output	BLC device provides input to 0-10V dimming leads on all drivers providing either 100% or dimmed (30% or 50%) control by a secondary circuit	BLC UVOLT1	BLC device is powered off the 0-10V dimming leads, thus can be used with any input voltage from 120 to 480V

Performance Data

Lumen Output

Lumen values are from photometric tests performed in accordance with IESNA LM-79-08. Data is considered to be representative of configurations shown within the tolerances described within LM-79. Contact factory for performance data on any configurations not shown here.

Forward Optics																							
Performance Package	System Watts	LED Count	Drive Current (mA)	Distribution Type	30K					40K					50K								
					(3000K, 70 CRI)					(4000K, 70 CRI)					(5000K, 70 CRI)								
					Lumens	B	U	G	LPW	Lumens	B	U	G	LPW	Lumens	B	U	G	LPW				
P1	33W	20	530	T1S	4,906	1	0	1	148	5,113	1	0	1	154	5,213	1	0	1	157				
				T2M	4,545	1	0	2	137	4,736	1	0	2	143	4,829	1	0	2	145				
				T3M	4,597	1	0	2	138	4,791	1	0	2	144	4,885	1	0	2	147				
				T3LG	4,107	1	0	1	124	4,280	1	0	1	129	4,363	1	0	1	131				
				T4M	4,666	1	0	2	141	4,863	1	0	2	146	4,957	1	0	2	149				
				T4LG	4,244	1	0	1	128	4,423	1	0	1	133	4,509	1	0	1	136				
				TFTM	4,698	1	0	2	141	4,896	1	0	2	147	4,992	1	0	2	150				
				T5M	4,801	3	0	1	145	5,003	3	0	1	151	5,101	3	0	1	154				
				T5W	4,878	3	0	1	147	5,084	3	0	2	153	5,183	3	0	2	156				
				T5LG	4,814	2	0	1	145	5,018	2	0	1	151	5,115	2	0	1	154				
				BLC3	3,344	0	0	1	101	3,485	0	0	1	105	3,553	0	0	1	107				
				BLC4	3,454	0	0	2	104	3,599	0	0	2	108	3,670	0	0	2	111				
				RCCO	3,374	0	0	1	102	3,517	0	0	1	106	3,585	0	0	1	108				
				LCCO	3,374	0	0	1	102	3,517	0	0	1	106	3,585	0	0	1	108				
				AFR	4,906	1	0	1	148	5,113	1	0	1	154	5,213	1	0	1	157				
				P2	45W	20	700	T1S	6,328	1	0	1	140	6,595	1	0	1	146	6,724	1	0	1	149
								T2M	5,862	1	0	2	130	6,109	1	0	2	135	6,228	1	0	2	138
T3M	5,930	1	0					3	131	6,180	1	0	3	137	6,301	1	0	3	140				
T3LG	5,297	1	0					1	117	5,521	1	0	1	122	5,628	1	0	1	125				
T4M	6,018	1	0					3	133	6,272	1	0	3	139	6,395	1	0	3	142				
T4LG	5,474	1	0					1	121	5,705	1	0	1	126	5,816	1	0	1	129				
TFTM	6,060	1	0					3	134	6,316	1	0	3	140	6,439	1	0	3	143				
T5M	6,192	3	0					1	137	6,453	3	0	2	143	6,579	3	0	2	146				
T5W	6,293	3	0					2	139	6,558	3	0	2	145	6,686	3	0	2	148				
T5LG	6,210	2	0					1	138	6,472	3	0	1	143	6,598	3	0	1	146				
BLC3	4,313	0	0					2	96	4,495	0	0	2	100	4,583	0	0	2	102				
BLC4	4,455	0	0					2	99	4,643	0	0	2	103	4,733	0	0	2	105				
RCCO	4,352	0	0					2	96	4,536	0	0	2	100	4,624	0	0	2	102				
LCCO	4,352	0	0					2	96	4,536	0	0	2	100	4,624	0	0	2	102				
AFR	6,328	1	0					1	140	6,595	1	0	1	146	6,724	1	0	1	149				
P3	69W	20	1050					T1S	9,006	1	0	2	131	9,386	1	0	2	136	9,569	1	0	2	139
								T2M	8,343	2	0	3	121	8,694	2	0	3	126	8,864	2	0	3	129
				T3M	8,439	2	0	3	122	8,795	2	0	3	128	8,967	2	0	3	130				
				T3LG	7,539	1	0	2	109	7,857	1	0	2	114	8,010	1	0	2	116				
				T4M	8,565	2	0	3	124	8,926	2	0	3	129	9,100	2	0	3	132				
				T4LG	7,790	1	0	2	113	8,119	1	0	2	118	8,277	1	0	2	120				
				TFTM	8,624	1	0	3	125	8,988	1	0	3	130	9,163	2	0	3	133				
				T5M	8,812	3	0	2	128	9,184	4	0	2	133	9,363	4	0	2	136				
				T5W	8,955	4	0	2	130	9,333	4	0	2	135	9,515	4	0	2	138				
				T5LG	8,838	3	0	1	128	9,211	3	0	1	134	9,390	3	0	1	136				
				BLC3	6,139	0	0	2	89	6,398	0	0	2	93	6,522	0	0	2	95				
				BLC4	6,340	0	0	3	92	6,607	0	0	3	96	6,736	0	0	3	98				
				RCCO	6,194	1	0	2	90	6,455	1	0	2	94	6,581	1	0	2	95				
				LCCO	6,194	1	0	2	90	6,455	1	0	2	94	6,581	1	0	2	95				
				AFR	9,006	1	0	2	131	9,386	1	0	2	136	9,569	1	0	2	139				
				P4	93W	20	1400	T1S	11,396	1	0	2	122	11,877	1	0	2	128	12,109	2	0	2	130
								T2M	10,557	2	0	3	113	11,003	2	0	3	118	11,217	2	0	3	121
T3M	10,680	2	0					3	115	11,130	2	0	3	120	11,347	2	0	3	122				
T3LG	9,540	1	0					2	103	9,942	1	0	2	107	10,136	1	0	2	109				
T4M	10,839	2	0					3	117	11,296	2	0	3	121	11,516	2	0	4	124				
T4LG	9,858	1	0					2	106	10,274	1	0	2	110	10,474	1	0	2	113				
TFTM	10,914	2	0					3	117	11,374	2	0	3	122	11,596	2	0	3	125				
T5M	11,152	4	0					2	120	11,622	4	0	2	125	11,849	4	0	2	127				
T5W	11,332	4	0					3	122	11,811	4	0	3	127	12,041	4	0	3	129				
T5LG	11,184	3	0					1	120	11,656	3	0	2	125	11,883	3	0	2	128				
BLC3	7,768	0	0					2	83	8,096	0	0	2	87	8,254	0	0	2	89				
BLC4	8,023	0	0					3	86	8,362	0	0	3	90	8,524	0	0	3	92				
RCCO	7,838	1	0					2	84	8,169	1	0	2	88	8,328	1	0	2	90				
LCCO	7,838	1	0					2	84	8,169	1	0	2	88	8,328	1	0	2	90				
AFR	11,396	1	0					2	122	11,877	1	0	2	128	12,109	2	0	2	130				

Performance Data

Lumen Output

Lumen values are from photometric tests performed in accordance with IESNA LM-79-08. Data is considered to be representative of configurations shown within the tolerances described within LM-79. Contact factory for performance data on any configurations not shown here.

Forward Optics																			
Performance Package	System Watts	LED Count	Drive Current (mA)	Distribution Type	30K					40K					50K				
					(3000K, 70 CRI)					(4000K, 70 CRI)					(5000K, 70 CRI)				
					Lumens	B	U	G	LPW	Lumens	B	U	G	LPW	Lumens	B	U	G	LPW
P5	90W	40	700	T1S	12,380	2	0	2	137	12,902	2	0	2	143	13,154	2	0	2	146
				T2M	11,468	2	0	3	127	11,952	2	0	3	133	12,185	2	0	3	135
				T3M	11,601	2	0	3	129	12,091	2	0	3	134	12,326	2	0	4	137
				T3LG	10,363	2	0	2	115	10,800	2	0	2	120	11,011	2	0	2	122
				T4M	11,774	2	0	4	131	12,271	2	0	4	136	12,510	2	0	4	139
				T4LG	10,709	1	0	2	119	11,160	2	0	2	124	11,378	2	0	2	126
				TFTM	11,856	2	0	3	132	12,356	2	0	4	137	12,596	2	0	4	140
				T5M	12,114	4	0	2	134	12,625	4	0	2	140	12,871	4	0	2	143
				T5W	12,310	4	0	3	137	12,830	4	0	3	142	13,080	4	0	3	145
				T5LG	12,149	3	0	2	135	12,662	3	0	2	141	12,908	3	0	2	143
				BLC3	8,438	0	0	2	94	8,794	0	0	2	98	8,966	0	0	2	99
				BLC4	8,715	0	0	3	97	9,083	0	0	3	101	9,260	0	0	3	103
				RCCO	8,515	1	0	2	94	8,874	1	0	2	98	9,047	1	0	2	100
				LCCO	8,515	1	0	2	94	8,874	1	0	2	98	9,047	1	0	2	100
				AFR	12,380	2	0	2	137	12,902	2	0	2	143	13,154	2	0	2	146
				P6	137W	40	1050	T1S	17,545	2	0	3	128	18,285	2	0	3	133	18,642
T2M	16,253	3	0					4	119	16,939	3	0	4	124	17,269	3	0	4	126
T3M	16,442	2	0					4	120	17,135	3	0	4	125	17,469	3	0	4	128
T3LG	14,687	2	0					2	107	15,306	2	0	2	112	15,605	2	0	2	114
T4M	16,687	2	0					4	122	17,391	3	0	5	127	17,730	3	0	5	129
T4LG	15,177	2	0					2	111	15,817	2	0	2	115	16,125	2	0	2	118
TFTM	16,802	2	0					4	123	17,511	2	0	4	128	17,852	2	0	5	130
T5M	17,168	4	0					2	125	17,893	5	0	3	131	18,241	5	0	3	133
T5W	17,447	5	0					3	127	18,183	5	0	3	133	18,537	5	0	3	135
T5LG	17,218	4	0					2	126	17,944	4	0	2	131	18,294	4	0	2	134
BLC3	11,959	0	0					3	87	12,464	0	0	3	91	12,707	0	0	3	93
BLC4	12,352	0	0					4	90	12,873	0	0	4	94	13,124	0	0	4	96
RCCO	12,067	1	0					3	88	12,576	1	0	3	92	12,821	1	0	3	94
LCCO	12,067	1	0					3	88	12,576	1	0	3	92	12,821	1	0	3	94
AFR	17,545	2	0					3	128	18,285	2	0	3	133	18,642	2	0	3	136
P7	171W	40	1300					T1S	20,806	2	0	3	122	21,683	2	0	3	127	22,106
				T2M	19,273	3	0	4	113	20,086	3	0	4	118	20,478	3	0	4	120
				T3M	19,497	3	0	5	114	20,319	3	0	5	119	20,715	3	0	5	121
				T3LG	17,416	2	0	2	102	18,151	2	0	2	106	18,504	2	0	2	108
				T4M	19,787	3	0	5	116	20,622	3	0	5	121	21,024	3	0	5	123
				T4LG	17,997	2	0	2	105	18,756	2	0	2	110	19,121	2	0	2	112
				TFTM	19,924	3	0	5	117	20,765	3	0	5	122	21,170	3	0	5	124
				T5M	20,359	5	0	3	119	21,217	5	0	3	124	21,631	5	0	3	127
				T5W	20,689	5	0	3	121	21,561	5	0	3	126	21,982	5	0	3	129
				T5LG	20,418	4	0	2	120	21,279	4	0	2	125	21,694	4	0	2	127
				BLC3	14,182	0	0	3	83	14,780	0	0	3	87	15,068	0	0	3	88
				BLC4	14,647	0	0	4	86	15,265	0	0	4	89	15,562	0	0	4	91
				RCCO	14,309	1	0	3	84	14,913	1	0	3	87	15,204	1	0	3	89
				LCCO	14,309	1	0	3	84	14,913	1	0	3	87	15,204	1	0	3	89
				AFR	20,806	2	0	3	122	21,683	2	0	3	127	22,106	2	0	3	129

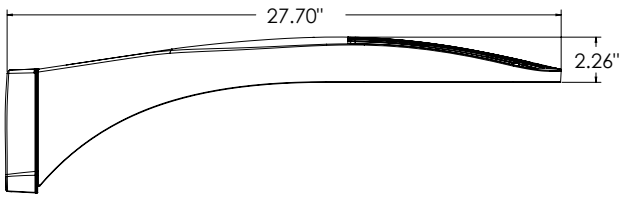
Performance Data

Lumen Output

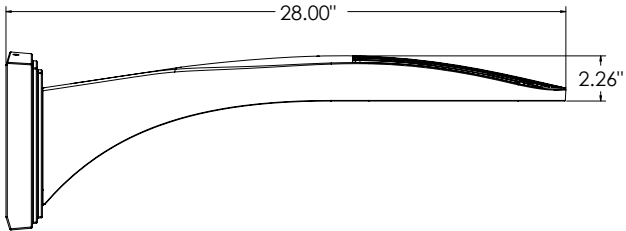
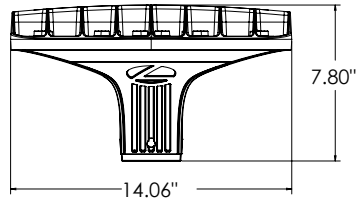
Lumen values are from photometric tests performed in accordance with IESNA LM-79-08. Data is considered to be representative of configurations shown within the tolerances described within LM-79. Contact factory for performance data on any configurations not shown here.

Rotated Optics																			
Performance Package	System Watts	LED Count	Drive Current (mA)	Distribution Type	30K					40K					50K				
					(3000K, 70 CRI)					(4000K, 70 CRI)					(5000K, 70 CRI)				
					Lumens	B	U	G	LPW	Lumens	B	U	G	LPW	Lumens	B	U	G	LPW
P10	51W	30	530	T1S	7,399	3	0	3	145	7,711	3	0	3	151	7,862	3	0	3	154
				T2M	6,854	3	0	3	135	7,144	3	0	3	140	7,283	3	0	3	143
				T3M	6,933	3	0	3	136	7,225	3	0	3	142	7,366	3	0	3	145
				T3LG	6,194	2	0	2	122	6,455	2	0	2	127	6,581	2	0	2	129
				T4M	7,036	3	0	3	138	7,333	3	0	3	144	7,476	3	0	3	147
				T4LG	6,399	2	0	2	126	6,669	2	0	2	131	6,799	2	0	2	134
				TFTM	7,086	3	0	3	139	7,385	3	0	3	145	7,529	3	0	3	148
				T5M	7,239	3	0	2	142	7,545	3	0	2	148	7,692	3	0	2	151
				T5W	7,357	3	0	2	145	7,667	3	0	2	151	7,816	4	0	2	154
				T5LG	7,260	3	0	1	143	7,567	3	0	1	149	7,714	3	0	1	152
				BLC3	5,043	3	0	3	99	5,256	3	0	3	103	5,358	3	0	3	105
				BLC4	5,208	3	0	3	102	5,428	3	0	3	107	5,534	3	0	3	109
				RCCO	5,089	0	0	2	100	5,303	0	0	2	104	5,407	0	0	2	106
				LCCO	5,089	0	0	2	100	5,303	0	0	2	104	5,407	0	0	2	106
				AFR	7,399	3	0	3	145	7,711	3	0	3	151	7,862	3	0	3	154
				P11	68W	30	700	T1S	9,358	3	0	3	138	9,753	3	0	3	143	9,943
T2M	8,669	3	0					3	127	9,034	3	0	3	133	9,211	3	0	3	135
T3M	8,768	3	0					3	129	9,138	3	0	3	134	9,316	3	0	3	137
T3LG	7,833	3	0					3	115	8,164	3	0	3	120	8,323	3	0	3	122
T4M	8,899	3	0					3	131	9,274	3	0	3	136	9,455	3	0	3	139
T4LG	8,093	3	0					3	119	8,435	3	0	3	124	8,599	3	0	3	126
TFTM	8,962	3	0					3	132	9,340	3	0	3	137	9,522	3	0	3	140
T5M	9,156	4	0					2	135	9,542	4	0	2	140	9,728	4	0	2	143
T5W	9,304	4	0					2	137	9,696	4	0	2	143	9,885	4	0	2	145
T5LG	9,182	3	0					1	135	9,569	3	0	1	141	9,756	3	0	1	143
BLC3	6,378	3	0					3	94	6,647	3	0	3	98	6,777	3	0	3	100
BLC4	6,587	3	0					3	97	6,865	3	0	3	101	6,999	3	0	3	103
RCCO	6,436	0	0					2	95	6,707	0	0	2	99	6,838	0	0	2	101
LCCO	6,436	0	0					2	95	6,707	0	0	2	99	6,838	0	0	2	101
AFR	9,358	3	0					3	138	9,753	3	0	3	143	9,943	3	0	3	146
P12	103W	30	1050					T1S	13,247	3	0	3	128	13,806	3	0	3	134	14,075
				T2M	12,271	4	0	4	119	12,789	4	0	4	124	13,038	4	0	4	126
				T3M	12,412	4	0	4	120	12,935	4	0	4	125	13,187	4	0	4	128
				T3LG	11,089	3	0	3	107	11,556	3	0	3	112	11,782	3	0	3	114
				T4M	12,597	4	0	4	122	13,128	4	0	4	127	13,384	4	0	4	129
				T4LG	11,457	3	0	3	111	11,940	3	0	3	116	12,173	3	0	3	118
				TFTM	12,686	4	0	4	123	13,221	4	0	4	128	13,479	4	0	4	130
				T5M	12,960	4	0	2	125	13,507	4	0	2	131	13,770	4	0	2	133
				T5W	13,170	4	0	3	127	13,726	4	0	3	133	13,994	4	0	3	135
				T5LG	12,998	3	0	2	126	13,546	3	0	2	131	13,810	3	0	2	134
				BLC3	9,029	3	0	3	87	9,409	3	0	3	91	9,593	3	0	3	93
				BLC4	9,324	4	0	4	90	9,718	4	0	4	94	9,907	4	0	4	96
				RCCO	9,110	1	0	2	88	9,495	1	0	2	92	9,680	1	0	2	94
				LCCO	9,110	1	0	2	88	9,494	1	0	2	92	9,680	1	0	2	94
				AFR	13,247	3	0	3	128	13,806	3	0	3	134	14,075	3	0	3	136
				P13	129W	30	1300	T1S	15,704	3	0	3	122	16,366	3	0	3	127	16,685
T2M	14,547	4	0					4	113	15,161	4	0	4	118	15,457	4	0	4	120
T3M	14,714	4	0					4	114	15,335	4	0	4	119	15,634	4	0	4	121
T3LG	13,145	3	0					3	102	13,700	3	0	3	106	13,967	3	0	3	108
T4M	14,933	4	0					4	116	15,563	4	0	4	121	15,867	4	0	4	123
T4LG	13,582	3	0					3	105	14,155	3	0	3	110	14,431	3	0	3	112
TFTM	15,039	4	0					4	117	15,673	4	0	4	122	15,979	4	0	4	124
T5M	15,364	4	0					2	119	16,013	4	0	2	124	16,325	4	0	2	127
T5W	15,613	5	0					3	121	16,272	5	0	3	126	16,589	5	0	3	129
T5LG	15,409	3	0					2	120	16,059	3	0	2	125	16,372	4	0	2	127
BLC3	10,703	4	0					4	83	11,155	4	0	4	87	11,372	4	0	4	88
BLC4	11,054	4	0					4	86	11,520	4	0	4	89	11,745	4	0	4	91
RCCO	10,800	1	0					2	84	11,256	1	0	2	87	11,475	1	0	3	89
LCCO	10,800	1	0					2	84	11,255	1	0	2	87	11,475	1	0	3	89
AFR	15,704	3	0					3	122	16,366	3	0	3	127	16,685	4	0	4	130

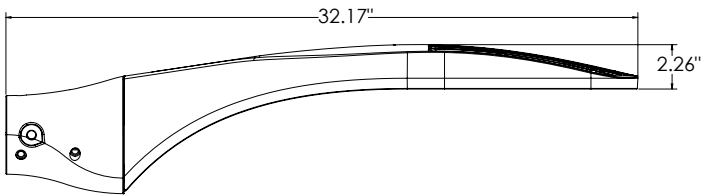
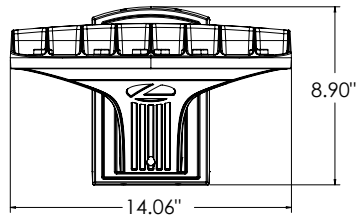
Dimensions



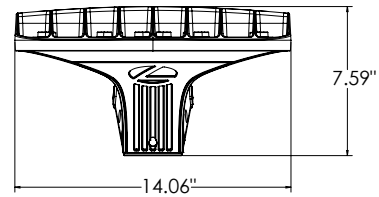
DSX0 with RPA, RPA5, SPA5, SPA8N mount
Weight: 25 lbs



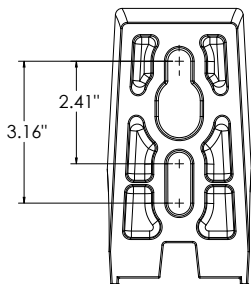
DSX0 with WBA mount
Weight: 27 lb



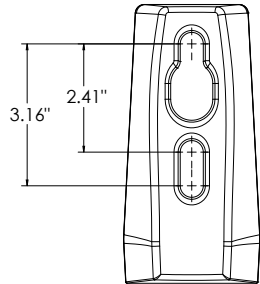
DSX0 with MA mount
Weight: 28 lbs



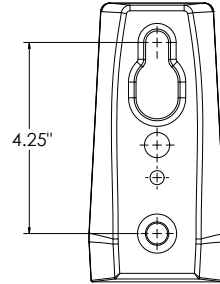
SPA (STANDARD ARM)



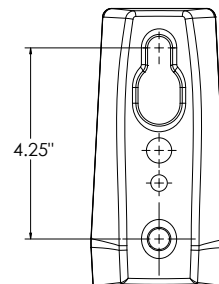
RPA



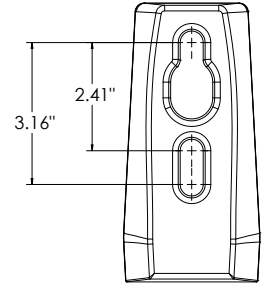
SPA5



RPA5

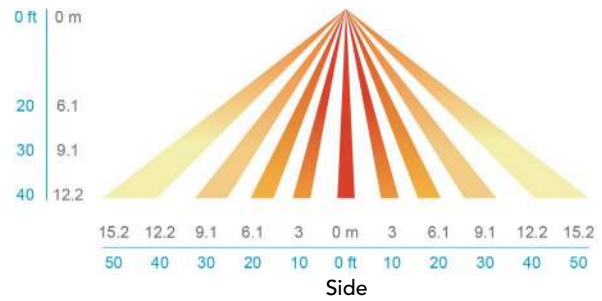
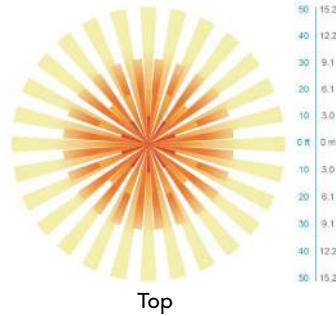


SPA8N



nLight Sensor Coverage Pattern

NLTAIR2 PIRHN



FEATURES & SPECIFICATIONS

INTENDED USE

The sleek design of the D-Series Size 0 reflects the embedded high performance LED technology. It is ideal for many commercial and municipal applications, such as parking lots, plazas, campuses, and pedestrian areas.

CONSTRUCTION

Single-piece die-cast aluminum housing has integral heat sink fins to optimize thermal management through conductive and convective cooling. Modular design allows for ease of maintenance and future light engine upgrades. The LED driver is mounted in direct contact with the casting to promote low operating temperature and long life. Housing driver compartment is completely sealed against moisture and environmental contaminants (IP66). Vibration rated per ANSI C136.31 for 3G. Low EPA (0.44 ft²) for optimized pole wind loading.

FINISH

Exterior parts are protected by a zinc-infused Super Durable TGIC thermoset powder coat finish that provides superior resistance to corrosion and weathering. A tightly controlled multi-stage process ensures a minimum 3 mils thickness for a finish that can withstand extreme climate changes without cracking or peeling. Available in both textured and non-textured finishes.

COASTAL CONSTRUCTION (CCE)

Optional corrosion resistant construction is engineered with added corrosion protection in materials and/or pre-treatment of base material under super durable paint. Provides additional corrosion protection for applications near coastal areas. Finish is salt spray tested to over 5,000 hours per ASTM B117 with scribe rating of 10. Additional lead-times may apply.

OPTICS

Precision-molded proprietary silicone lenses are engineered for superior area lighting distribution, uniformity, and pole spacing. Light engines are available in 3000 K, 4000 K or 5000 K (70 CRI) configurations. 80CRI configurations are also available. The D-Series Size 0 has zero uplight and qualifies as a Nighttime Friendly™ product, meaning it is consistent with the LEED® and Green Globes™ criteria for eliminating wasteful uplight.

ELECTRICAL

Light engine(s) configurations consist of high-efficacy LEDs mounted to metal-core circuit boards to maximize heat dissipation and promote long life (up to L80/100,000 hours at 25°C). Class 1 electronic drivers are designed to have a power factor >90%, THD <20%, and an expected life of 100,000 hours with <1% failure rate. Easily serviceable 10kV surge protection device meets a minimum Category C Low operation (per ANSI/IEEE C62.41.2).

STANDARD CONTROLS

The DSX0 LED area luminaire has a number of control options. DSX Size 0, comes standard with 0-10V dimming driver. Dusk to dawn controls can be utilized via optional NEMA twist-lock photocell receptacles. PIR integrated motion sensor with on-board photocell feature field-adjustable programming and are suitable for mounting heights up to 40 feet. Control option BL features a bi-level device that allows a second control circuit to switch all light engines to either 30% or 50% light output.

nLIGHT AIR CONTROLS

The DSX0 LED area luminaire is also available with nLight® AIR for the ultimate in wireless control. This powerful controls platform provides out-of-the-box basic motion sensing and photocontrol functionality and is suitable for mounting heights up to 40 feet. Once commissioned using a smartphone and the easy-to-use CLAIRITY app, nLight AIR equipped luminaires can be grouped, resulting in motion sensor and photocell group response without the need for additional equipment. Scheduled dimming with motion sensor over-ride can be achieved when used with the nLight Eclipse. Additional information about nLight Air can be found [here](#).

INSTALLATION

Integral mounting arm allows for fast mounting using Lithonia standard #8 drilling and accommodates pole drilling's from 2.41 to 3.12" on center. The standard "SPA" option for square poles and the "RPA" option for round poles use the #8 drilling. For #5 pole drillings, use SPA5 or RPA5. Additional mountings are available including a wall bracket (WBA) and mast arm (MA) option that allows luminaire attachment to a 2 3/8" horizontal mast arm.

LISTINGS

UL listed to meet U.S. and Canadian standards. UL Listed for wet locations. Light engines are IP66 rated; luminaire is IP66 rated. Rated for -40°C minimum ambient.

DesignLights Consortium® (DLC) Premium qualified product and DLC qualified product. Not all versions of this product may be DLC Premium qualified or DLC qualified. Please check the DLC Qualified Products List at www.designlights.org/QPL to confirm which versions are qualified.

International Dark-Sky Association (IDA) Fixture Seal of Approval (FSA) is available for all products on this page utilizing 3000K color temperature only.

GOVERNMENT PROCUREMENT

BAA – Buy America(n) Act: Product with the BAA option qualifies as a domestic end product under the Buy American Act as implemented in the FAR and DFARS. Product with the BAA option also qualifies as manufactured in the United States under DOT Buy America regulations.

BABA – Build America Buy America: Product with the BAA option also qualifies as produced in the United States under the definitions of the Build America, Buy America Act.

Please refer to www.acuitybrands.com/buy-american for additional information.

WARRANTY

5-year limited warranty. This is the only warranty provided and no other statements in this specification sheet create any warranty of any kind. All other express and implied warranties are disclaimed. Complete warranty terms located at: www.acuitybrands.com/support/warranty/terms-and-conditions

Note: Actual performance may differ as a result of end-user environment and application. All values are design or typical values, measured under laboratory conditions at 25 °C. Specifications subject to change without notice.

FEATURES & SPECIFICATIONS

INTENDED USE — Typical applications include corridors, lobbies, conference rooms and private offices.

CONSTRUCTION — Galvanized steel mounting/plaster frame; galvanized steel junction box with bottom-hinged access covers and spring latches. Reflectors are retained by torsion springs. Vertically adjustable mounting brackets with commercial bar hangers provide 3-3/4" total adjustment. Two combination 1/2"-3/4" and four 1/2" knockouts for straight-through conduit runs. Capacity: 8 (4 in, 4 out). No. 12 AWG conductors, rated for 90°C.

Accommodates 12"-24" joist spacing.

Passive cooling thermal management for 25°C standard. Light engine and drivers are accessible from above or below ceiling.

Ceiling thickness range 1/2" to 1-1/2".

OPTICS — 55° cutoff to source and source image

LEDs are binned to a 3-step MacAdam Ellipse

80 CRI standard. 90 CRI optional.

A+ CAPABLE LUMINAIRE — This item is an A+ capable luminaire, which has been designed and tested to provide consistent color appearance and out-of-the-box control compatibility with simple commissioning when used with Acuity Brands controls products. All configurations of this luminaire are calibrated and tested to meet the Acuity Brands' specifications for chromatic consistency — including color rendering, color fidelity and color temperature tolerance around standard CIE chromaticity coordinates. To learn more about A+ standards, specifications, and testing visit www.acuitybrands.com/aplus.

UGR — UGR is zero for fixtures aimed at nadir with a cut-off equal to or less than 60 degree per CIE 117-1996 Discomfort Glare in Interior Lighting. [UGR FAQs](#)

ELECTRICAL — Adjustable lumen output with four module options. MVOLT 120/277V 50/60Hz driver (0-10V & 120V Phase Dimming to 10% or 1% min dimming level). DALI driver dimming to 1% also available

FCC CFR Title 47 Part 15 Class A for 277V. FCC CFR Title 47 Part 15 Class B for 120V.

Lumen Maintenance

L80 @ 60,000 hours

LISTINGS — Certified to US and Canadian safety standards. Wet location, requires covered ceiling. Title 24 compliant (90CRI, up to 1000lm). Wallwash suitable for damp locations only. Some configurations are Energy Star certified, please visit www.energystar.gov for specific products. Drivers are ROHS compliant.

WARRANTY — 5-year limited warranty. This is the only warranty provided and no other statements in this specification sheet create any warranty of any kind. All other express and implied warranties are disclaimed. Complete warranty terms located at: www.acuitybrands.com/support/warranty/terms-and-conditions

Note: Actual performance may differ as a result of end-user environment and application.

All values are design or typical values, measured under laboratory conditions at 25 °C.

Specifications subject to change without notice.

PERFORMANCE DATA

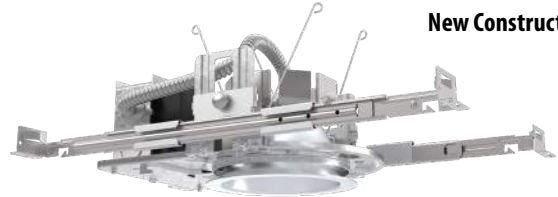
LDN4 AR LS	Wattage	80CRI							
		30K/80CRI		35K/80CRI		40K/80CRI		50K/80CRI	
Lumen Output		Delivered Lumens	LPW	Delivered Lumens	LPW	Delivered Lumens	LPW	Delivered Lumens	LPW
ALO1 (500LM)	6	570	99	584	101	597	102	616	105
ALO1 (750LM)	9	903	102	924	103	946	105	975	108
ALO1 (1000LM)	13	1268	98	1297	100	1328	102	1369	104
ALO2 (1000LM)	13	1344	108	1375	110	1408	112	1451	115
ALO2 (1500LM)	19	1961	105	2007	106	2055	108	2118	111
ALO2 (2000LM)	25	2471	99	2528	101	2588	103	2668	105
ALO3 (2000LM)	25	2542	103	2601	104	2663	106	2745	109
ALO3 (2500LM)	32	3069	98	3140	99	3214	101	3314	103
ALO3 (3000LM)	38	3485	93	3566	94	3651	96	3764	98
ALO4 (4000LM)	39	4094	106	4178	108	4262	110	4303	111
ALO4 (4500LM)	44	4519	103	4611	105	4703	107	4750	108
ALO4 (5000LM)	49	4914	100	5015	102	5115	104	5165	105

- Tested in accordance with IESNA LM-79-08.
- Tested to current IES and NEMA standards under stabilized laboratory conditions.
- CRI: 80 typical

Catalog Number
Notes
Type

LDN4 SWITCHABLE

4" Open and Wallwash LED IC and Non-IC New Construction Downlight

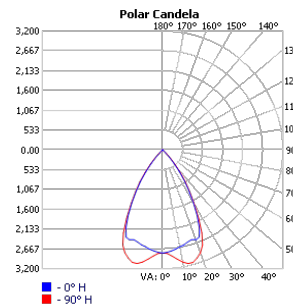


Open Trim

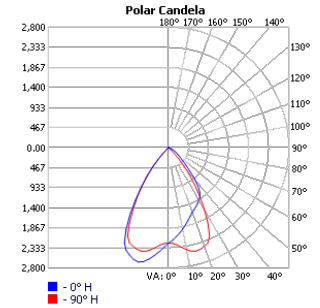


Wallwash Trim

DISTRIBUTIONS



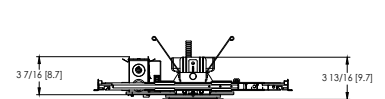
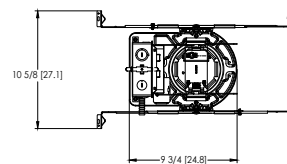
OPEN



Wallwash

DIMENSIONS

LDN4 500-2000 Lumens



Aperture: \varnothing 4-5/16" [11]
 Ceiling Cutout: \varnothing 5-1/8" [13] Self-flanged
 Overlap Trim: \varnothing 5-7/16" [13.8]
 Ceiling Cutout: \varnothing 5-1/4" [13.3] Flangeless

See page 5 for other fixture dimensions.



LDN4 SWW

ds Design Select options indicated by this color background.

ORDERING INFORMATION

Lead times will vary depending on options selected. Consult with your sales representative.

Example: LDN4 ALO2 SWW1 L04 AR LSS MVOLT UGZ

LDN4								
Series	Lumens ‡	Color Temperature ‡	Trim Style	Trim Color	Flange Color ‡	Trim Finish	Distribution	Voltage
LDN4 4" Round	Adjustable Lumen Output ALO1 500/750/1000lm ALO2 1000/1500/2000lm ALO3 2000/2500/3000lm ALO4 4000/4500/5000lm Fixed Lumen Output 05LM 500lm 07LM 750lm 10LM 1000lm 15LM 1500lm 20LM 2000lm 25LM 2500lm 30LM 3000lm 40LM 4000lm 45LM 4500lm 50LM 5000lm	Switchable CCT SWW1 3000K-3500K-4000K-5000K Fixed Switchable CCT 27K 2700K 30K 3000K 35K 3500K 40K 4000K 50K 5000K	L04 Downlight LW4 Wallwash	AR Clear WR ‡ White painted BR ‡ Black painted TRALTBDD ‡ RAL paint trim TCPC ‡ Custom paint trim	(blank) Self-flange TRW White TRBL Black FRALTBDD RAL paint flange only FCPC Custom paint flange only	LSS Semi-specular LD Matte diffused LS Specular	(blank) Medium Wide (1.0s/mh) WD Wide (1.2s/mh)	MVOLT 120V - 277V 347 347V step-down transformer supplied

Driver	Emergency ‡	Control Input ‡	Options
UGZ Universal dimming to 10% 0-10V; line voltage dimming (120V)	Blank No emergency option	Blank No control option	90CRI High CRI (90+)
UGZ1 Universal dimming to 1% 0-10V; line voltage dimming (120V)	EL Batterypack (10W constant power) Non-T20 Compliant, integral test switch	NPS80EZ nLight® network power/relay pack with 0-10V dimming	AT ‡ Airtight (IP55)
DALI ‡ DALI dimming to 1%	ELR Batterypack (10W constant power) Non-T20 Compliant, remote test switch	NPS80EZER nLight® network power/relay pack with 0-10V dimming; ER controls fixtures on emergency circuit.	CP ‡ Chicago Plenum
D10 Minimum dimming 10% driver for use with JOT D1 Minimum dimming 1% driver for use with JOT	E10WCPR Batterypack (10W constant power) T20 Compliant, integral test switch	NLTAIR2 nLight® Air enabled	
D1 Minimum dimming 1% driver for use with JOT	E10WCPR Batterypack (10W constant power) T20 Compliant, remote test switch	NLTAIRER2 nLight® AIR Dimming Pack Wireless Controls. Controls fixtures on emergency circuit	
	E10WRSTAR Emergency battery pack, 10W with remote test switch and Iota STAR technology	NLTAIREM2 nLight® AIR Dimming Pack Wireless Controls. UL924 Emergency Operation, via power interrupt detection.	
	ETS Iota Emergency Transfer System	JOT Wireless room control with "Just One Touch" pairing	

‡ Option Restrictions

Options	Restriction
	Lumens and Color Temp restriction note: Fixed Lumens and CCT must be specified together (for example: 10LM 30K).
AT	Standard for CP and IP55, not available with WW
E10WCPR	Not available EC1, EC6, QDS, CP, 347V, NPS80EZ ER, NLTAIRER2, NLTAIREM2, or ALO3 (2000-3000L) DALI.
E10WCP	Not available with EC1, EC6, AT, QDS, CP, 347V, NPS80EZ ER, NLTAIRER2, NLTAIREM2, ALO3 (2000-3000L) DALI, OR WL.
E10WRSTAR	Not available with wet location, EC1, EC6, QDS, CP, 347V, NPS80EZ ER, NLTAIRER2, NLTAIREM2, ALO3 & ALO4 w/DALI, OR 2000-4500 lumens w/JOT. Top access installation or 17.5" plenum clearance required for roomside installation. Not available with integral test switch.
ELR	Not available EC1, EC6, QDS, CP, 347V, NPS80EZ ER, NLTAIRER2, NLTAIREM2, or ALO3 (2000-3000L) DALI.
EC6	Not Available with CP, QDS, ELR, E10WCP, or E10WCPR.
WL	Not available with WW, All CP is wet location, except WW (Damp). IP55 rated.
QDS	Not Available with CP, ELR, E10WCP, or E10WCPR.
EC1	Not Available with CP, QDS, ELR, E10WCP, or E10WCPR.
JOT	Not available with CP, NPS80EZ, NPS80EZ ER, NLTAIR2, NLTAIRER2, NLTAIREM2, UGZ, or DALI drivers. Max 4500 lumens. Fixed lumens and CCT only.
NPS80EZ	Not available with CP, QDS, DALI, D1, OR D10 drivers. 120V OR 277V only. Not available with 347V.
NPS80EZER	Not available with CP, QDS, ELR, E10WCP, E10WCPR, DALI, D1, OR D10 drivers. 120V OR 277V only. Not available with 347V.
NLTAIR2	Not available with CP, QDS, DALI, D1, OR D10 drivers. Non-emergency luminaires with this option can be used as a normal power sensing device for nLight AIR devices and luminaires with EM emergency options.
NLTAIRER2	Not available with CP, QDS, ELR, E10WCP, E10WCPR, DALI, D1, OR D10 drivers. Not available with 347V.
NLTAIREM2	Not available with CP, QDS, ELR, E10WCP, E10WCPR, DALI, D1, OR D10 drivers. See UL 924 Sequence of Operation table.
CP	Not available with, QDS, EC1, EC6, ELR, E10WCP, E10WCPR, 347V, JOT, NPS80EZ, NPS80EZ ER, NLTAIR2, NLTAIRER2, NLTAIREM2, D1, OR D10 drivers. Not available with square trim.
ETS	Not available with, QDS, ELR, E10WCP, E10WCPR, 347V, JOT, NPS80EZ, NPS80EZ ER, NLTAIR2, NLTAIRER2, NLTAIREM2, DALI, D1, OR D10 driver
DALI	Not available with fixed lumens or CCT. Max 4500 lumens.
WW	Not available with WL, EL, E10WCP.
TRW, TRBL	Available with clear (AR) reflector only.
WR, BR	Not available with a reflector finish
347V	Not available with CP, QDS, EL, ELR, E10WCP, E10WCPR, NLTAIRER2, ETS, NPS80EZ, NPS80EZER, ALO1 ROUND TRIM, 05 LUMENS ROUND TRIM, AND 07 ROUND TRIM.
TRALTBDD, FRALTBDD	RALTBDD for pricing only. Replace with applicable RAL number and finish when ready to order. See the RAL BROCHURE for available color options.
TCPC, FCPC	CPC options for pricing only. Custom color chip needs to be sent in to your Customer Resolution specialist before order can be processed. Click HERE for more details

Accessories: Order as a separate catalog number.	
L04 AR ** TRIM	4" clear, specular reflector (** specify finish LS, LSS, or LS)
L04 WR TRIM	4" white reflector
L04 BR TRIM	4" black reflector
LW4 AR ** TRIM	4" wallwash clear, specular reflector (** specify finish LS, LSS, or LS)
LW4 WR TRIM	4" wallwash white reflector
LW4 BR TRIM	4" wallwash black reflector
GRA4 6 JZ	Oversized trim ring with 6" outside diameter
SCA4	Sloped Ceiling Adapter. Degree of slope must be specified (5D, 10D, 15D, 20D, 25D, 30D). Ex: SCA6 10D.



Items marked by a shaded background qualify for the Design Select program and ship in 15 days or less. To learn more about Design Select, visit www.acuitybrands.com/designselect.
*See ordering tree for details

(Maximum order quantity for design select lead times is 256)

EMERGENCY BATTERY PACK OPTIONS - FIELD INSTALLABLE

Battery Model Number	Wattage	Runtime (Minutes)	Lumen Output* @ 120 Lumens/Watt	Other
ILB CP07 2H A	7W	120	840	Storm Shelter / 2 Hour Runtime
ILB CP10 A	10W	90	1200	
ILBLP CP10 HE SD A+	10W	90	1200	Title 20, Self Diagnostic
ILBLP CP15 HE SD A+	15W	90	1800	Title 20, Self Diagnostic
ILB CP20 HE A	20W	90	2400	Title 20
ILB CP20 HE SD A	20W	90	2400	Title 20, Self Diagnostic
ILBHI CP10 HE SD A+	10W	90	1200	347-480V AC Input, Title 20, Self Diagnostic
ILBHI CP15 HE SD A+	15W	90	1800	347-480V AC Input, Title 20, Self Diagnostic

All the above are UL Listed products that are certified for field install external/remote to the fixture.

* Minimum delivered lumen output to assist in product selection for increased fixture mounting height.

† The CP10 delivered emergency illumination outperforms legacy 1400 lumen fluorescent emergency ballast.

Please contact us at techsupport@iotaengineering.com for any Emergency Battery related questions.

PHOTOMETRY

LDN4 AR LS		90CRI							
Lumen Output	Wattage	30K/90CRI		35K/90CRI		40K/90CRI		50K/90CRI	
		Delivered Lumens	LPW	Delivered Lumens	LPW	Delivered Lumens	LPW	Delivered Lumens	LPW
ALO1 (500LM)	6	498	87	512	88	526	90	539	92
ALO1 (750LM)	9	789	89	810	91	832	92	853	94
ALO1 (1000LM)	13	1108	86	1138	88	1168	89	1198	91
ALO2 (1000LM)	13	1174	95	1206	97	1238	99	1270	100
ALO2 (1500LM)	19	1714	91	1761	93	1807	95	1854	97
ALO2 (2000LM)	25	2159	87	2218	89	2276	91	2335	92
ALO3 (2000LM)	25	2222	90	2282	92	2342	94	2402	95
ALO3 (2500LM)	32	2682	85	2755	87	2827	89	2900	91
ALO3 (3000LM)	38	3046	81	3129	83	3211	85	3294	86
ALO4 (4000LM)	39	3398	88	3468	90	3537	91	3572	92
ALO4 (4500LM)	44	3751	85	3827	87	3904	89	3942	90
ALO4 (5000LM)	49	4079	83	4162	84	4245	86	4287	87

LDN4WW AR LS		80CRI							
Lumen Output	Wattage	30K/80CRI		35K/80CRI		40K/80CRI		50K/80CRI	
		Delivered Lumens	LPW	Delivered Lumens	LPW	Delivered Lumens	LPW	Delivered Lumens	LPW
ALO1 (500LM)	6	561	97	574	99	587	101	606	103
ALO1 (750LM)	9	888	100	908	101	930	103	959	106
ALO1 (1000LM)	13	1246	97	1275	98	1305	100	1346	102
ALO2 (1000LM)	13	1321	106	1352	108	1384	110	1427	113
ALO2 (1500LM)	19	1928	103	1973	105	2020	106	2083	109
ALO2 (2000LM)	25	2429	98	2485	99	2544	101	2623	104
ALO3 (2000LM)	25	2499	101	2557	103	2618	105	2699	107
ALO3 (2500LM)	32	3017	96	3087	98	3160	99	3258	102
ALO3 (3000LM)	38	3426	91	3506	93	3589	95	3700	97
ALO4 (4000LM)	39	4031	104	4113	106	4195	108	4236	109
ALO4 (4500LM)	44	4449	101	4539	103	4630	105	4676	107
ALO4 (5000LM)	49	4838	98	4937	100	5035	102	5085	103

LDN4WW AR LS		90CRI							
Lumen Output	Wattage	30K/90CRI		35K/90CRI		40K/90CRI		50K/90CRI	
		Delivered Lumens	LPW	Delivered Lumens	LPW	Delivered Lumens	LPW	Delivered Lumens	LPW
ALO1 (500LM)	6	490	85	503	87	517	89	530	90
ALO1 (750LM)	9	776	87	797	89	818	91	839	93
ALO1 (1000LM)	13	1089	84	1119	86	1148	88	1178	90
ALO2 (1000LM)	13	1155	93	1186	95	1217	97	1248	99
ALO2 (1500LM)	19	1685	90	1731	92	1777	94	1822	95
ALO2 (2000LM)	25	2123	85	2180	87	2238	89	2295	91
ALO3 (2000LM)	25	2184	88	2243	90	2302	92	2362	94
ALO3 (2500LM)	32	2637	84	2708	86	2780	87	2851	89
ALO3 (3000LM)	38	2994	80	3076	81	3157	83	3238	85
ALO4 (4000LM)	39	3346	86	3414	88	3482	90	3516	91
ALO4 (4500LM)	44	3692	84	3768	86	3843	88	3881	88
ALO4 (5000LM)	49	4015	81	4097	83	4179	85	4220	86

LUMEN OUTPUT MULTIPLIERS - FINISH	
Specular (LS)	1.05
Semi-specular (LSS)	1.00
Matte diffuse (LD)	0.85

LUMEN OUTPUT MULTIPLIERS - CCT			
3000K	3500K	4000K	5000K
0.98	1.0	1.01	1.03

LUMEN OUTPUT MULTIPLIERS - CRI	
80	1.0
90	0.874

HOW TO ESTIMATE DELIVERED LUMENS IN EMERGENCY MODE

Use the formula below to estimate the delivered lumens in emergency mode

Delivered Lumens = 1.25 x P x LPW

P = Output power of emergency driver. P = 10W for PS1055CP

LPW = Lumen per watt rating of the luminaire. This information is available on the ABL luminaire spec sheet.

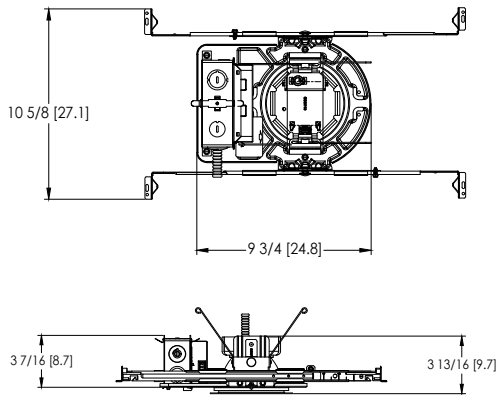
The LPW rating is also available at Designlight Consortium.

LDN4 SWW

* All dimensions are inches (centimeters) unless otherwise noted.

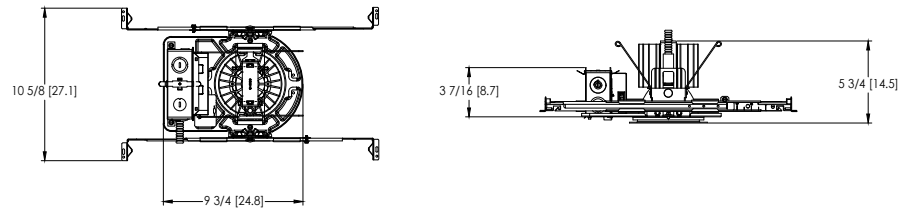
LDN4 SWW1 IC RATING	
AL01	IC
AL02	NON-IC
AL03	NON-IC

LDN4 SWW1 500-2000 Lumens



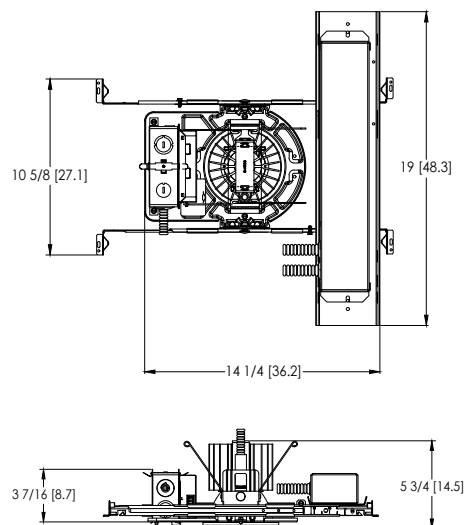
Aperture: \varnothing 4-5/16" [11]
 Ceiling Cutout: \varnothing 5-1/8" [13] Self-flanged
 Overlap Trim: \varnothing 5-7/16" [13.8]
 Ceiling Cutout: \varnothing 5-1/4" [13.3] Flangeless

LDN4 SWW1 2500-4000 Lumens



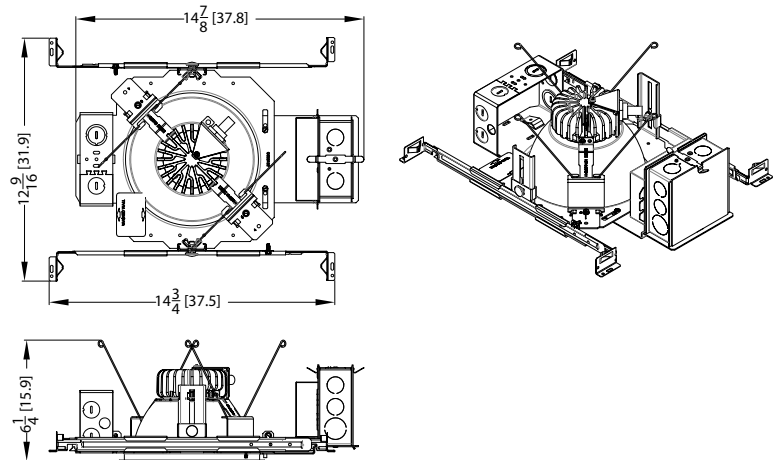
Aperture: \varnothing 4-5/16" [11]
 Ceiling Cutout: \varnothing 5-1/8" [13] Self-flanged
 Overlap Trim: \varnothing 5-7/16" [13.8]
 Ceiling Cutout: \varnothing 5-1/4" [13.3] Flangeless

LDN4 SWW1 EL



Aperture: \varnothing 4-5/16" [11]
 Ceiling Cutout: \varnothing 5-1/8" [13] Self-flanged
 Overlap Trim: \varnothing 5-7/16" [13.8]
 Ceiling Cutout: \varnothing 5-1/4" [13.3] Flangeless

LDN4 SWW1 CP 500-3000 Lumens



DIMMER COMPATIBILITY

Not compatible with DALI or DMX dimmers. For specific compatible dimmers see below.

COMPATIBLE LINE VOLTAGE DIMMERS:						
Type	Forward Phase	ALO1 (500-1000lm)	ALO2 (1000-2000lm)	ALO3 (2000-3000lm)	ALO4 (3000-5000lm)	Comment
MLV	Sensorswitch WPD	YES	YES	YES	YES	
MLV	Sensorswitch CMR PDT10 ADC VLP	YES	YES	YES	YES	
MLV	Synergy ISD 600LV	YES, 2x *	YES	YES	YES	* min 2 fixtures
INC	Synergy ISD 600I	YES, 2x *	YES	YES	YES	* min 2 fixtures
MLV	Lutron Glyder GLV-600	YES	YES	YES	YES	
INC	Leviton SureSlide 6633	YES	YES	YES	YES	
MLV	Lutron Diva DVLV-600P	YES	YES	YES	YES	
MLV	Lutron Skylark SLV-600P	YES	YES	YES	YES	
INC	Lutron RadioRA 2 10ND	YES	YES	YES	YES	
MLV	Leviton SureSlide 6613-PLW	YES	YES	YES	YES	
INC	Lutron Diva DVCL-153P	YES	YES	YES	YES	
MLV	Leviton IPM06	YES, 2x *	YES	YES	YES	* min 2 fixtures
Type	Reverse Phase Dimmer Bank	ALO1 (500-1000lm)	ALO2 (1000-2000lm)	ALO3 (2000-3000lm)	ALO4 (3000-5000lm)	
ELV	Lutron Nova T NTELV-600	YES	YES	YES	YES	
ELV	Lutron Diva DVELV 600P	YES	YES	YES	YES	
ELV	Lutron Maestro MAELV 600	YES	YES	YES	YES	
ELV	Leviton Vizia VPE06-1LX	YES	YES	YES	YES	
ELV	Leviton Illumatech IPE04	YES	YES	YES	YES	
ELV	Control4 C4-APD 120 REVERSE PHASE	YES	YES	YES	YES	
Type	Miscellaneous Dimmers	ALO1 (500-1000lm)	ALO2 (1000-2000lm)	ALO3 (2000-3000lm)	ALO4 (3000-5000lm)	
PHA	Lutron RadioRA2 RRD-6NA	YES	YES	YES	YES	
PHA	Lutron Maestro PRO LED+ RRD-PRO	YES	YES	YES	YES	
Type	Control Systems	ALO1 (500-1000lm)	ALO2 (1000-2000lm)	ALO3 (2000-3000lm)	ALO4 (3000-5000lm)	
MLV	Lutron LP-RPM-4U	YES	YES	YES	YES	
PHA	Lutron LP-RPM-4A	YES	YES	YES	YES	
MLV	Lutron GRAPHIC EYE QSGRJ-3P	YES	YES	YES	YES	
PHA	Lutron PA Power Module PHPM-PA-120	YES	YES	YES	YES	
ELV	Lutron nLight nSP5PCD ELV	YES	YES	YES	YES	

COMPATIBLE 0-10V DIMMERS:							
Manufacturer	System Type	Description	P/N	ALO1 (500-1000lm)	ALO2 (1000-2000lm)	ALO3 (2000-3000lm)	ALO4 (3000-5000lm)
ACUITY	Wall Box	sensorswitch, dimming switch with multi-way option	SPODMRA	YES	YES	YES	YES
ACUITY	Wall Box	sensorswitch, wall switch sensor, occupancy controlled dimming	WSX D WH	YES	YES	YES	YES
ACUITY	Control System	nLight	nPP16D	YES	YES	YES	YES
ACUITY	Control System	nLight	nPS 80 EZ	YES	YES	YES	YES
ACUITY	Control System	nLight Air	rPP20 D	YES	YES	YES	YES
Lutron	Other	0-10V (sink or source) PowPak wireless dimming module	RMJ-5T-DV-B	YES	YES	YES	YES
Wattstopper	Control System	Digital single relay room controller (0-10V)	LMRC-211	YES	YES	YES	YES
Crestron	Control System	DIN Rail 0-10V fluorescent dimmer, 4 feeds, 4 channels (Green Light System)	DIN-4DIMFLV4	YES	YES	YES	YES
Lutron	Other	Grafik Eye 0-10V adapter	GRX-TVI	YES	YES	YES	YES
Leviton	Wall Box	Illumatech 0-10V	IP710-DLX	YES	YES	YES	YES
Lutron	Control System	Mounted in the Homeworks QS panel - 0-10V dimmer (sink or source)	GRX-TVM2	YES	YES	YES	YES
Lutron	Wall Box	Nova 0-10V wallbox dimmer (use with PP-120-H line voltage relay)	NTFTV	YES	YES	YES	YES
Lutron	Wall Box	Nova 0-10V wallbox dimmer (use with PP-120-H line voltage relay)	NTSTV-DV	YES	YES	YES	YES
Lutron	Wall Box	Nova T	NFTV	YES	YES	YES	YES
Leviton	Wall Box	Renior II 0-10V	AWSMG-7DW	YES	YES	YES	YES

ADDITIONAL DATA



The Sensor Switch JOT enabled solution offers a wireless, app-free approach to single room lighting control. JOT enabled products use Bluetooth® Low Energy (BLE) technology to enable wireless dimming and switching.

Diagram



LDN4 Series



Sensor Switch
WSXA JOT

- 1. Power:** Install JOT enabled fixtures and controls as instructed.
- 2. Pair:** Insert the pairing tool into the pinhole on the wall switch; press and hold any button for 6 seconds.
- 3. Play:** Once paired, each fixture will individually dim down to 10% brightness. All products will be fully functional.

COMPATIBLE 0-10V WALL-MOUNT DIMMERS

MANUFACTURER	PART NO.	POWER BOOSTER AVAILABLE
Lutron®	Diva® DVTV	
	Diva® DVSCTV	
	Nova T® NTFTV	
	Nova® NFTV	
Leviton®	AWSMT-7DW	CN100
	AWSMG-7DW	PE300
	AMRMG-7DW	
	Leviton Centura Fluorescent Control System	
	IllumaTech® IP7 Series	
Synergy®	ISD BC	RDMFC
	SLD LPCS	
	Digital Equinox (DEQ BC)	
Douglas Lighting Controls	WPC-5721	
Entertainment Technology	Tap Glide TG600FAM120 (120V)	
	Tap Glide Heatsink TGH1500FAM120 (120V)	
	Oasis OA2000FAMU	
Honeywell	EL7315A1019	EL7305A1010 (optional)
	EL7315A1009	
HUNT Dimming	Preset slide: PS-010-IV and PS-010-WH	
	Preset slide: PS-010-3W-IV and PS-010-3W-WH	
	Preset slide, controls FD-010: PS-IFC-010-IV and PS-IFC-010-WH-120/277V	
	Preset slide, controls FD-010: PS-IFC-010-3W-IV and PS-IFC-010-3W-WH-120/277V	
	Remote mounted unit: FD-010	
Lehigh Electronic Products	Solitaire	PBX
PDM Electrical Products	WPC-5721	
Starfield Controls	TR61 with DALI interface port	RT03 DALInet Router
WattStopper®	LS-4 used with LCD-101 and LCD-103	

EXAMPLE

Group Fixture Control*

*Application diagram applies for fixtures with eldoLED drivers only.

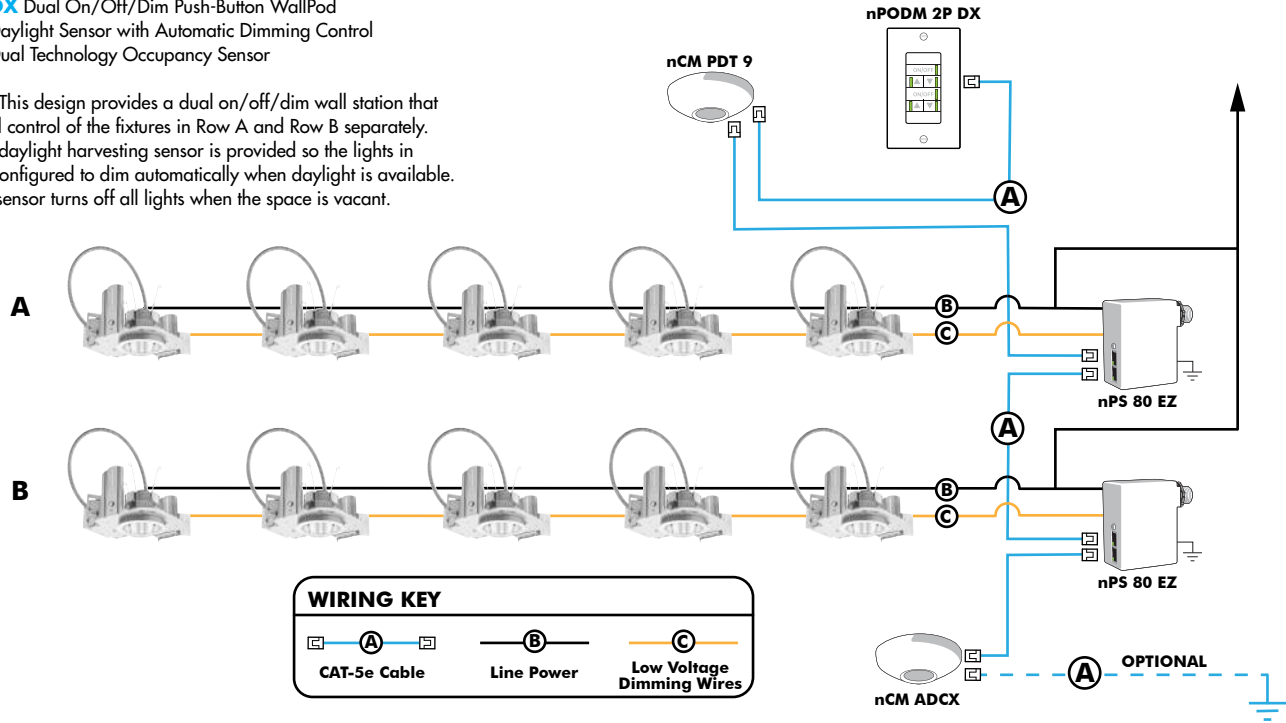
nPS 80 EZ Dimming/Control Pack (qty: 2 required)

nPODM 2P DX Dual On/Off/Dim Push-Button WallPod

nCM ADCX Daylight Sensor with Automatic Dimming Control

nCM PDT 9 Dual Technology Occupancy Sensor

Description: This design provides a dual on/off/dim wall station that enables manual control of the fixtures in Row A and Row B separately. Additionally, a daylight harvesting sensor is provided so the lights in Row B can be configured to dim automatically when daylight is available. An occupancy sensor turns off all lights when the space is vacant.



Choose Wall Controls

nLight offers multiple styles of wall controls - each with varying features and user experience.



Push-Button Wallpod
Traditional tactile buttons and LED user feedback



Graphic Wallpod
Full color touch screen provides a sophisticated look and feel

nLight® Wired Controls Accessories:

Order as separate catalog number. Visit www.acuitybrands.com/products/controls/nlight for complete listing of nLight controls.

WallPod Stations	Model number	Occupancy sensors	Model Number
On/Off	nPODM (Color)	Small motion 360°, ceiling (PIR/dual Tech)	nCM 9 / nCM PDT 9
On/Off & Raise/Lower	nPOD DX (Color)	Large motion 360°, ceiling (PIR/dual tech)	nCM 10 / nCM PDT 10
Graphic Touchscreen	nPOD GFX (Color)	Wide View (PIR/dual tech)	nWV 16 / nWV PDT 16
Photocell controls	Model Number	Wall Switch w/ Raise/Lower (PIR/dual tech)	nWSX LV DX / nWSX PDT LV DX
Dimming	nCM ADCX	Cat-5 cables (plenum rated)	Model Number
		10', CAT5 10FT	CATS 10FT J1
		15, CAT5 15FT	CATS 15FT J1

nLight® AIR Control Accessories:

Order as separate catalog number. Visit www.acuitybrands.com/products/controls/nlightair.

Wall switches	Model number
On/Off single pole	rPODB [color]
On/Off two pole	rPODB 2P [color]
On/Off & raise/lower single pole	rPODB DX [color]
On/Off & raise/lower two pole	rPODB 2P DX [color]
On/Off & raise/lower single pole	rPODBZ DX WH ¹

Notes

- 1 Can only be ordered with the RES7Z zone control sensor version.

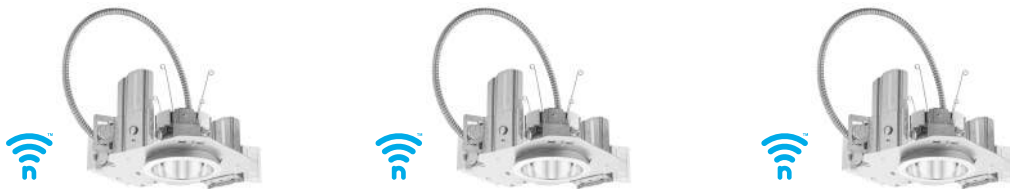
UL924 Sequence of Operation

The below information applies to all nLight AIR devices with an EM option.

- EM devices will remain at their high-end trim and ignore wireless lighting control commands, unless a normal-power-sensed (NPS) broadcast is received at least every 8 seconds.
- Using the CLAIRITY+ mobile app, EM devices must be associated with a group that includes a normal power sensing device to receive NPS broadcasts.
- Only non-emergency rPP20, rLSXR, rSBOR, rSDGR, and nLight AIR luminaires with version 3.4 or later firmware can provide normal power sensing for EM devices. See specification sheets for control devices and luminaires for more information on options that support normal power sensing.

nLight AIR

nLight AIR is the ideal solution for retrofit or new construction spaces where adding communication is cost prohibitive. The integrated nLight AIR rPP20 Power Pack is part of each Lithonia LDN Luminaire. These individually addressable controls offer the ultimate in flexibility during initial setup and for space repurposing.



Simple as 1,2,3

1. Install the nLight® AIR fixtures with embedded smart sensor
2. Install the wireless battery-powered wall switch
3. With CLAIRITY app, pair the fixtures with the wall switch and if desired, customize the sensor settings for the desired outcome



Date: _____
 Type: _____
 Fixture: _____
 Project: _____

Approved: _____

FCCSQ400 Down Only, Standard Drivers without Battery Backup

4" Square wall, pendant or surface mount down cylinder outdoor



FEATURES

- Up to 3000 lm, Up to 100 LPW
- Numerous mounting capabilities
- Clear anti-glare tempered glass lens (IK09)
- Multiple color finishes
- 0-10V 1% Dimming (Standard)
- 1.5G Vibration Tested
- 93 CRI with 2 SDCM

PERFORMANCE

Beam Spread: 15° | 25° | 50° | 72° | 90°
CCT Options: 2700K | 3000K | 3500K | 4000K
CRI: 93 CRI
Consistency: 2 SDCM (Fixture to Fixture)
Lumens: 500-3000 lm
Lifetime: > 70,000 hours / L70 or better

PHYSICAL

Mounting: Mounts directly to standard recessed junction box with wall mount or twist-lock canopy. Additional holes allow unit to be attached directly to mounting surface. Not intended for open ceilings or surface mount conduit j-box applications. Recessed j-box must be flush with finished wall or ceiling surface.

Ingress Protection: Continuous silicone gasket to seal out contaminants, IP65 rated for dry, damp or wet locations. SF option rated IP65 for cover ceiling application only.

Finish: Six stage chemical iron phosphate conversion pre-treatment. Polyester powder coat finish, 18 µm Min., 5000hr salt spray test (ASTM B117) compliant with Florida / AAMA 2604 specification.

Warranty: 5-Year limited warranty (refer to website for details)

Housing: Heavy-walled, extruded aluminum housing with high pressure die-cast lens ring and cap with stainless steel hardware.

Lens: IK09 impact compliant, clear anti-glare tempered glass

Vibration Resistance: Compliant with 1.5G ANSI C136.31, Seismic rated AC-156

Weight: 8-12 lbs (Depending on Length)

Operating Temperature: -22°F to 122°F (-30°C to 50°C)

ELECTRICAL

Voltage: Universal 120–277V AC standard, 347V optional

Power Supply: Integral Class II, electronic high-power factor >.90, THD < 20%, FCC Title 47 Part 15 Class A. EldoLED & Lutron optional

Power Consumption: Up to 3000 lm @ 35W

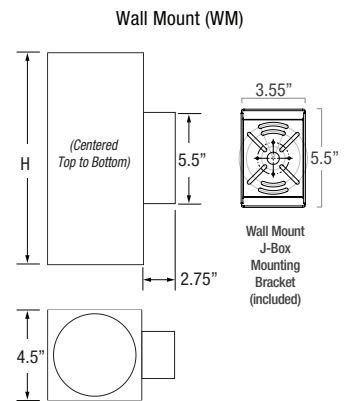
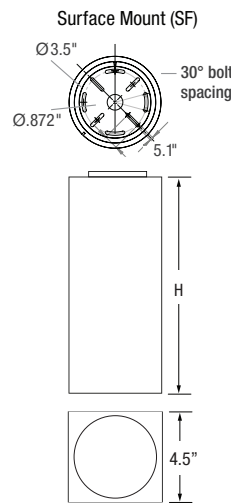
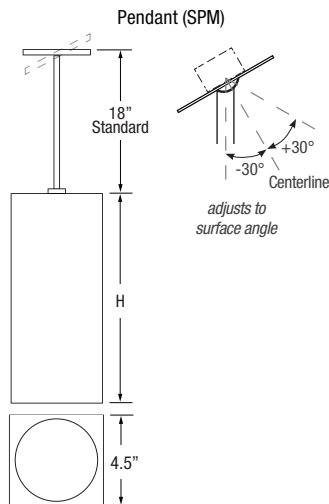
Dimming: **Standard:** 0-10V, 1% Dimming, **Optional:** ELV, TRIAC, dim to off, DMX, DALI

Certification: CEC Title 24 - JAB Compliant (93 CRI Only)

Standards: cETLus Listed, CE, NOM, and RoHS Compliant. Wet location listed for wall or ceiling mount IP65 Ingress protection. 1.5G (ANSI C136.31) Vibration resistance rated. IK09 (IEC6226) Impact resistance rated. IESNA LM79 Photometric testing by NVLAP accredited test lab. IESNA LM80 LED testing by NVLAP accredited test lab. IESNA TM21 Luminaire lumen depreciation projection to >70,000hrs.

PHYSICAL DIMENSIONS

Fixture	Length (H)
FCC400-10	10.95" Height
FCC400-12	12.95" Height
FCC400-14	14.95" Height
FCC400-16	16.95" Height
FCC400-18	18.95" Height
FCC400-20	20.95" Height



Due to continuous development and improvements, specifications are subject to change without notice. FC Lighting, Inc. reserves the right to change lab test details or specifications without notice. Product use certifies agreement to FC Lighting, Inc. terms and conditions. All stated specifications have a tolerance of +/- 7%.

Date: _____
 Type: _____
 Fixture: _____
 Project: _____

Approved: _____

FCCSQ400 Down Only, Standard Drivers without Battery Backup

PRODUCT CODE

EXAMPLE: FCCSQ400-10-SPM-18-UNV-927-05L-BKE-15-ET-CV

MODEL	HEIGHT	MOUNTING	SUSP. LENGTH	VOLTAGE	COLOR	LUMENS	FINISH	OPTIC	DIMMING	OPTIONS	BATTERY
FCCSQ400											
MODEL FCCSQ400		HEIGHT 10 10.95" Height 12 12.95" Height 14 14.95" Height 16 16.95" Height 18 18.95" Height 20 20.95" Height		COLOR 927 (93CRI) 2700K 930 (93CRI) 3000K 935 (93CRI) 3500K 940 (93CRI) 4000K		LUMENS nominal 05L 500 lm 10L 1000 lm 15L 1500 lm 20L 2000 lm 25L 2500 lm 30L 3000 lm		OPTIC nominal 15 Spot (15°) (20L Max) 25 Narrow Flood (25°) 50 Flood (50°) 72 Wide Flood (72°) 90 Flat (90°)		w/SOFT FIELD 15S Spot (15°) (20L Max) 25S Narrow Flood (25°) 50S Flood (50°) 72S Wide Flood (72°) 90S Flat (90°)	
MOUNTING SPM Slope Pendant SF Surface WM Wall		SPM LENGTH Specify the optional suspension length in inches. (Top of fixture to ceiling) (SPM 18" Standard, 4"-120" Max; 61"-120" w/LD & ET Only and stem comes in 2 sections) *Consult factory & price guide for other lengths.		FINISH BKE Black (AAMA 2604) BRE Bronze (AAMA 2604) GRE Graphite Grey (AAMA 2604) SLE Silver (AAMA 2604) WHE White (AAMA 2604) CCE Custom Color (AAMA 2604)		DIMMING ET ELV or TRIAC Driver (120V Phase Dimming w/ UNV Driver) (20L-30L Only) LD 0-10V Dimming, 1% (Standard)		OPTIONS CV Cut-Off Visor (Down Only)		BATTERY N/A (Leave Blank)	
VOLTAGE UNV Universal 120-277 Volt AC 347V 347 Volt AC											

Due to continuous development and improvements, specifications are subject to change without notice. FC Lighting, Inc. reserves the right to change lab test details or specifications without notice. Product use certifies agreement to FC Lighting, Inc. terms and conditions. All stated specifications have a tolerance of +/- 7%.



FCCSQ400 Down Only, Standard Drivers without Battery Backup

LUMENS nominal

Model	Watts	940
FCCSQ400	5 W (Min)	500 lm (Min)
	35 W (Max)	3000 lm (Max)

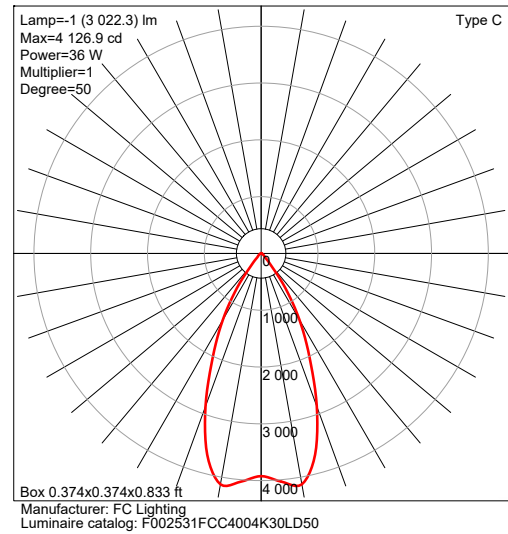
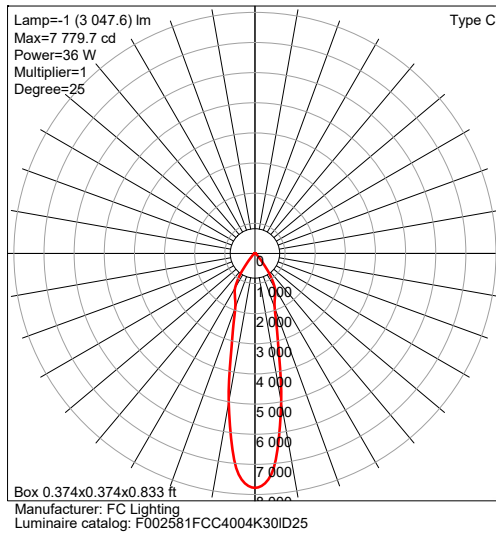
IES Multiplier	
Color	Multiplier
927	0.93
930	0.97
935	0.99
940	1.00

*83CRI@1.15 Consult factory.

TRIAC & ELV Approved Dimmer List	
Manufacturer	Manufacturer Part Number
Lutron	Glyder GLV-600
	Diva DVLV-600P
	Diva DV-600P
	Diva DVELV-600P(303)
	Maestro MALV-600
	Nova T NT-1000
	Nova T NTELV-600
Leviton	Skylark SLV-600P
	RadioRA2-10ND
	SureSlide 6633
	Illumatech IPE04

0-10V Approved Dimmer List	
Manufacturer	Manufacturer Part Number
Lutron	Diva DVSTV-XX
	Diva DVSTV-453PH-WH1
Leviton	Illumatech 010-IP710-DLZ

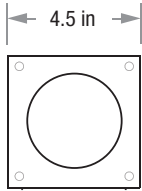
PHOTOMETRICS



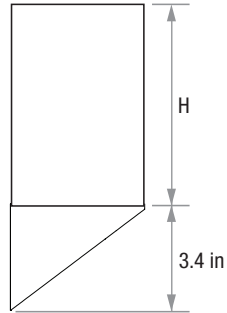
FCCSQ400 Down Only, Standard Drivers without Battery Backup

MORE DIMENSIONS

Cutt-Off Visor (CV) *(Down Only)*



Bottom View



Side View



WEDGE2 LED

Architectural Wall Sconce

Precision Refractive Optic



Catalog Number

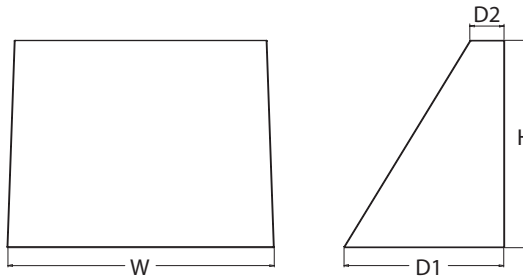
Notes

Type

Hit the Tab key or mouse over the page to see all interactive elements.

Specifications

- Depth (D1):** 7"
- Depth (D2):** 1.5"
- Height:** 9"
- Width:** 11.5"
- Weight:** 13.5 lbs
(without options)



Introduction

The WEDGE2 LED family is designed to meet specifier's every wall-mounted lighting need in a widely accepted shape that blends with any architecture. The clean rectilinear design comes in four sizes with lumen packages ranging from 1,200 to 25,000 lumens, providing a true site-wide solution. Embedded with nLight® AIR wireless controls, the WEDGE family provides additional energy savings and code compliance.

WEDGE2 with industry leading precision refractive optics provides great uniform distribution and optical control. When combined with multiple integrated emergency battery backup options, including an 18W cold temperature option, the WEDGE2 becomes the ideal wall-mounted lighting solution for pedestrian scale applications in any environment.

WEDGE LED Family Overview

Luminaire	Optics	Standard EM, 0°C	Cold EM, -20°C	Sensor	Approximate Lumens (4000K, 80CRI)						
					P0	P1	P2	P3	P4	P5	P6
WEDGE1 LED	Visual Comfort	4W		--	750	1,200	2,000	--	--	--	--
WEDGE2 LED	Visual Comfort	10W	18W	Standalone / nLight	--	1,200	2,000	3,000	4,500	6,000	--
WEDGE2 LED	Precision Refractive	10W	18W	Standalone / nLight	700	1,200	2,000	3,200	4,200	--	--
WEDGE3 LED	Precision Refractive	15W	18W	Standalone / nLight	--	7,500	8,500	10,000	12,000	--	--
WEDGE4 LED	Precision Refractive			Standalone / nLight	--	12,000	16,000	18,000	20,000	22,000	25,000

Ordering Information

EXAMPLE: WEDGE2 LED P3 40K 80CRI T3M MVOLT SRM DDBXD

Series	Package	Color Temperature	CRI	Distribution	Voltage	Mounting
WEDGE2 LED	P0 ¹	27K 2700K	70CRI ⁴	T1S Type I Short	MVOLT	Shipped included SRM Surface mounting bracket ICW Indirect Canopy/Ceiling Washer bracket (dry/damp locations only) ⁶ Shipped separately AWS 3/8inch Architectural wall spacer PBBW Surface-mounted back box (top, left, right conduit entry). Use when there is no junction box available
	P1 ²	30K 3000K	80CRI	T2M Type II Medium	347 ⁵	
	P2 ²	40K 4000K	LW ³ Limited Wavelength	T3M Type III Medium	480 ⁵	
	P3 ²	50K 5000K		T4M Type IV Medium		
	P4 ²	AMB ³ Amber		TFTM Forward Throw Medium		

Options	Finish
E10WH Emergency battery backup, Certified in CA Title 20 MAEDBS (10W, 5°C min) E20WC Emergency battery backup, Certified in CA Title 20 MAEDBS (18W, -20°C min) PE⁷ Photocell, Button Type DMG⁸ 0-10V dimming wires pulled outside fixture (for use with an external control, ordered separately) BCE Bottom conduit entry for back box (PBBW). Total of 4 entry points. BAA Buy America(n) Act Compliant CCE Coastal Construction	DDBXD Dark bronze DBLXD Black DNAXD Natural aluminum DWHXD White DSSXD Sandstone DBBTXD Textured dark bronze DBL BXD Textured black DNATXD Textured natural aluminum DWHGXD Textured white DSSTXD Textured sandstone
Standalone Sensors/Controls PIR Bi-level (100/35%) motion sensor for 8-15' mounting heights. Intended for use on switched circuits with external dusk to dawn switching. PIRH Bi-level (100/35%) motion sensor for 15-30' mounting heights. Intended for use on switched circuits with external dusk to dawn switching PIR1FC3V Bi-level (100/35%) motion sensor for 8-15' mounting heights with photocell pre-programmed for dusk to dawn operation. PIRH1FC3V Bi-level (100/35%) motion sensor for 15-30' mounting heights with photocell pre-programmed for dusk to dawn operation. Networked Sensors/Controls NLTAIR2 PIR nLightAIR Wireless enabled bi-level motion/ambient sensor for 8-15' mounting heights. NLTAIR2 PIRH nLightAIR Wireless enabled bi-level motion/ambient sensor for 15-30' mounting heights. See page 4 for out of box functionality	



COMMERCIAL OUTDOOR

One Lithonia Way • Conyers, Georgia 30012 • Phone: 1-800-705-SERV (7378) • www.lithonia.com
 © 2019-2024 Acuity Brands Lighting, Inc. All rights reserved.

WEDGE2 LED
 Rev. 03/27/24

Accessories

Ordered and shipped separately.

WDGEAWS DDBXD U	WDGE 3/8inch Architectural Wall Spacer (specify finish)
WDGE2P8BW DDBXD U	WDGE2 surface-mounted back box (specify finish)

NOTES

- 1 P0 option not available with sensors/controls.
- 2 P1-P4 not available with AMB and LW.
- 3 AMB and LW always go together.
- 4 70CRI only available with T3M and T4M.
- 5 347V and 480V not available with E10WH or E20WC.
- 6 Not qualified for DLC. Not available with emergency battery backup or sensors/controls.
- 7 PE not available in 480V or with sensors/controls.
- 8 DMG option not available with sensors/controls.

Performance Data

Lumen Output

Lumen values are from photometric tests performed in accordance with IESNA LM-79-08. Data is considered to be representative of the configurations shown, within the tolerances allowed by Lighting Facts. Contact factory for performance data on any configurations not shown here.

Performance Package	System Watts	Dist. Type	27K (2700K, 80 CRI)					30K (3000K, 80 CRI)					40K (4000K, 80 CRI)					50K (5000K, 80 CRI)					Amber (Limited Wavelength)				
			Lumens	LPW	B	U	G	Lumens	LPW	B	U	G	Lumens	LPW	B	U	G	Lumens	LPW	B	U	G	Lumens	LPW	B	U	G
P0	7W	T1S	636	92	0	0	0	666	97	0	0	0	699	101	0	0	1	691	100	0	0	1	712	47	0	0	1
		T2M	662	96	0	0	0	693	101	0	0	0	728	106	0	0	0	719	104	0	0	0	741	48	0	0	0
		T3M	662	96	0	0	0	693	101	0	0	0	728	106	0	0	0	719	104	0	0	0	741	48	0	0	0
		T4M	648	94	0	0	0	679	98	0	0	0	712	103	0	0	0	704	102	0	0	0	726	47	0	0	0
		TFTM	652	95	0	0	0	683	99	0	0	0	717	104	0	0	0	708	103	0	0	0	730	48	0	0	1
P1	11W	T1S	1,105	99	0	0	1	1,157	104	0	0	1	1,215	109	0	0	1	1,200	107	0	0	1					
		T2M	1,150	103	0	0	1	1,204	108	0	0	1	1,264	113	0	0	1	1,249	112	0	0	1					
		T3M	1,150	103	0	0	1	1,205	108	0	0	1	1,265	113	0	0	1	1,250	112	0	0	1					
		T4M	1,126	101	0	0	1	1,179	106	0	0	1	1,238	111	0	0	1	1,223	110	0	0	1					
		TFTM	1,133	101	0	0	1	1,186	106	0	0	1	1,245	112	0	0	1	1,230	110	0	0	1					
P2	19W	T1S	1,801	95	1	0	1	1,886	99	1	0	1	1,981	104	1	0	1	1,957	103	1	0	1					
		T2M	1,875	99	1	0	1	1,963	103	1	0	1	2,061	109	1	0	1	2,037	107	1	0	1					
		T3M	1,876	99	1	0	1	1,964	103	1	0	1	2,062	109	1	0	1	2,038	107	1	0	1					
		T4M	1,836	97	1	0	1	1,922	101	1	0	1	2,018	106	1	0	1	1,994	105	1	0	1					
		TFTM	1,847	97	1	0	1	1,934	102	1	0	1	2,030	107	1	0	1	2,006	106	1	0	1					
P3	32W	T1S	2,809	87	1	0	1	2,942	92	1	0	1	3,089	96	1	0	1	3,052	95	1	0	1					
		T2M	2,924	91	1	0	1	3,062	95	1	0	1	3,215	100	1	0	1	3,176	99	1	0	1					
		T3M	2,925	91	1	0	1	3,063	95	1	0	1	3,216	100	1	0	1	3,177	99	1	0	1					
		T4M	2,862	89	1	0	1	2,997	93	1	0	1	3,147	98	1	0	1	3,110	97	1	0	1					
		TFTM	2,880	90	1	0	1	3,015	94	1	0	1	3,166	99	1	0	1	3,128	97	1	0	1					
P4	47W	T1S	3,729	80	1	0	1	3,904	84	1	0	1	4,099	88	1	0	1	4,051	87	1	0	1					
		T2M	3,881	83	1	0	1	4,063	87	1	0	1	4,267	91	1	0	1	4,216	90	1	0	1					
		T3M	3,882	83	1	0	1	4,065	87	1	0	1	4,268	91	1	0	1	4,217	90	1	0	1					
		T4M	3,799	81	1	0	1	3,978	85	1	0	1	4,177	90	1	0	1	4,127	88	1	0	1					
		TFTM	3,822	82	1	0	1	4,002	86	1	0	1	4,202	90	1	0	1	4,152	89	1	0	1					

Performance Package	System Watts	Dist. Type	27K (2700K, 70 CRI)					30K (3000K, 70 CRI)					40K (4000K, 70 CRI)					50K (5000K, 70 CRI)									
			Lumens	LPW	B	U	G	Lumens	LPW	B	U	G	Lumens	LPW	B	U	G	Lumens	LPW	B	U	G					
P0	7W	T3M	737	107	0	0	0	763	111	0	0	0	822	119	0	0	0	832	121	0	0	1					
		T4M	721	105	0	0	0	746	108	0	0	0	804	117	0	0	1	814	118	0	0	1					
P1	11W	T3M	1,280	115	0	0	1	1,325	119	0	0	1	1,427	128	1	0	1	1,445	129	1	0	1					
		T4M	1,253	112	0	0	1	1,297	116	0	0	1	1,397	125	0	0	1	1,415	127	0	0	1					
P2	19W	T3M	2,087	110	1	0	1	2,160	114	1	0	1	2,327	123	1	0	1	2,357	124	1	0	1					
		T4M	2,042	108	1	0	1	2,114	111	1	0	1	2,278	120	1	0	1	2,306	121	1	0	1					
P3	32W	T3M	3,254	101	1	0	1	3,369	105	1	0	1	3,629	113	1	0	1	3,675	114	1	0	1					
		T4M	3,185	99	1	0	1	3,297	103	1	0	1	3,552	111	1	0	1	3,597	112	1	0	1					
P4	47W	T3M	4,319	93	1	0	1	4,471	96	1	0	1	4,817	103	1	0	2	4,878	105	1	0	2					
		T4M	4,227	91	1	0	1	4,376	94	1	0	2	4,714	101	1	0	2	4,774	102	1	0	2					



Electrical Load

Performance Package	System Watts	Current (A)					
		120Vac	208Vac	240Vac	277Vac	347Vac	480Vac
P0	7.0	0.061	0.042	0.04	0.039	--	--
	9.0	--	--	--	--	0.031	0.021
P1	11.0	0.100	0.064	0.059	0.054	--	--
	14.1	--	--	--	--	0.046	0.031
P2	19.0	0.168	0.106	0.095	0.083	--	--
	22.8	--	--	--	--	0.067	0.050
P3	32.0	0.284	0.163	0.144	0.131	--	--
	37.1	--	--	--	--	0.107	0.079
P4	47.0	0.412	0.234	0.207	0.185	--	--
	53.5	--	--	--	--	0.153	0.112

Lumen Output in Emergency Mode (4000K, 80 CRI, T3M)

Option	Lumens
E10WH	1,358
E20WC	2,230

Lumen Ambient Temperature (LAT) Multipliers

Use these factors to determine relative lumen output for average ambient temperatures from 0-40°C (32-104°F).

Ambient		Lumen Multiplier
0°C	32°F	1.03
10°C	50°F	1.02
20°C	68°F	1.01
25°C	77°F	1.00
30°C	86°F	0.99
40°C	104°F	0.97

Projected LED Lumen Maintenance

Data references the extrapolated performance projections for the platforms noted in a 25°C ambient, based on 10,000 hours of LED testing (tested per IESNA LM-80-08 and projected per IESNA TM-21-11).

To calculate LLF, use the lumen maintenance factor that corresponds to the desired number of operating hours below. For other lumen maintenance values, contact factory.

Operating Hours	0	25,000	50,000	100,000
Lumen Maintenance Factor	1.0	>0.96	>0.93	>0.87

Photometric Diagrams

To see complete photometric reports or download .ies files for this product, visit the Lithonia Lighting WDG2 LED homepage. Tested in accordance with IESNA LM-79 and LM-80 standards.

LEGEND

■	0.25 fc
■	0.5 fc
■	1.0 fc
■	3.0 fc

MH = 10ft
Grid = 10ft x 10ft



Emergency Egress Options

Emergency Battery Backup

The emergency battery backup is integral to the luminaire — no external housing required! This design provides reliable emergency operation while maintaining the aesthetics of the product. All emergency battery backup configurations include an independent secondary driver with an integral relay to immediately detect loss of normal power and automatically energize the luminaire. The emergency battery will power the luminaire for a minimum duration of 90 minutes (maximum duration of three hours) from the time normal power is lost and maintain a minimum of 60% of the light output at the end of 90minutes.

Applicable codes: NFPA 70/NEC – section 700.16, NFPA 101 Life Safety Code Section 7.9

Motion/Ambient Sensor (PIR_, PIRH_)

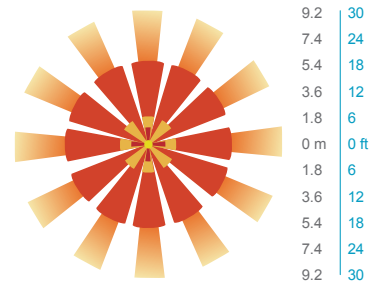
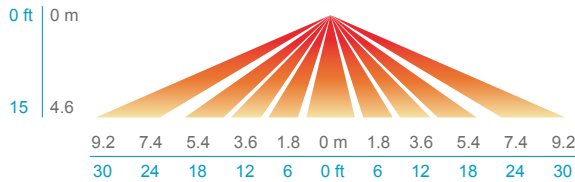
Motion/Ambient sensor (Sensor Switch MSOD) is integrated into the the luminaire. The sensor provides both Motion and Daylight based dimming of the luminaire. For motion detection, the sensor utilizes 100% Digital Passive Infrared (PIR) technology that is tuned for walking size motion while preventing false tripping from the environment. The integrated photocell enables additional energy savings during daytime periods when there is sufficient daylight. Optimize sensor coverage by either selecting PIR or PIRH option. PIR option comes with a sensor lens that is optimized to provide maximum coverage for mounting heights between 8-15ft, while PIRH is optimized for 15-40ft mounting height.

Networked Control (NLTAIR2)

nLight® AIR is a wireless lighting controls platform that allows for seamless integration of both indoor and outdoor luminaires. Five-tier security architecture, 900 MHz wireless communication and app (CLAIRITY™ Pro) based configurability combined together make nLight® AIR a secure, reliable and easy to use platform.

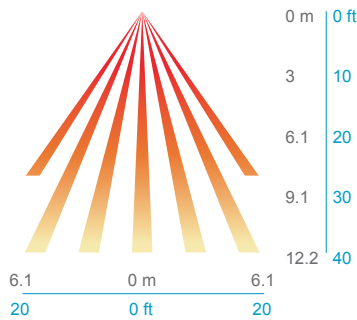
PIR

HIGH VIEW

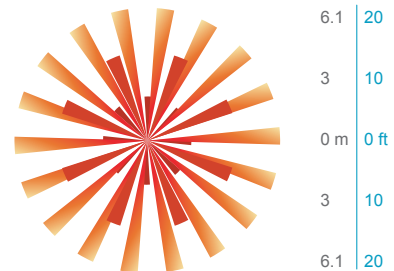


PIRH

SIDE VIEW



TOP VIEW



Option	Dim Level	High Level (when triggered)	Photocell Operation	Motion Time Delay	Ramp-down Time	Ramp-up Time
PIR or PIRH	Motion - 3V (37% of full output) Photocell - 0V (turned off)	10V (100% output)	Enabled @ 5fc	5 min	5 min	Motion - 3 sec Photocell - 45 sec
PIR1FC3V, PIRH1FC3V	Motion - 3V (37% of full output) Photocell - 0V (turned off)	10V (100% output)	Enabled @ 1fc	5 min	5 min	Motion - 3 sec Photocell - 45 sec
NLTAIR2 PIR, NLTAIR2 PIRH (out of box)	Motion - 3V (37% of full output) Photocell - 0V (turned off)	10V (100% output)	Enabled @ 5fc	7.5 min	5 min	Motion - 3 sec Photocell - 45 sec



Motion/Ambient Sensor

D = 7"
 H = 9" (Standalone controls)
 11" (nLight AIR controls, 2" antenna will be pointing down behind the sensor)
 W = 11.5"



PBBW – Surface-Mounted Back Box Use when there is no junction box available.

D = 1.75"
 H = 9"
 W = 11.5"



AWS – 3/8inch Architectural Wall Spacer

D = 0.38"
 H = 4.4"
 W = 7.5"

FEATURES & SPECIFICATIONS

INTENDED USE

Common architectural look, with clean rectilinear shape, of the WDGE LED was designed to blend with any type of construction, whether it be tilt-up, frame or brick. Applications include commercial offices, warehouses, hospitals, schools, malls, restaurants, and other commercial buildings.

CONSTRUCTION

The single-piece die-cast aluminum housing integrates secondary heat sinks to optimize thermal transfer from the internal light engine heat sinks and promote long life. The driver is mounted in direct contact with the casting for a low operating temperature and long life. The die-cast door frame is fully gasketed with a one-piece solid silicone gasket to keep out moisture and dust, providing an IP66 rating for the luminaire.

FINISH

Exterior painted parts are protected by a zinc-infused Super Durable TGIC thermoset powder coat finish that provides superior resistance to corrosion and weathering. A tightly controlled multi-stage process ensures a 3 mils thickness for a finish that can withstand extreme climate changes without cracking or peeling. Standard Super Durable colors include dark bronze, black, natural aluminum, sandstone and white. Available in textured and non-textured finishes.

OPTICS

Individually formed acrylic lenses are engineered for superior application efficiency which maximizes the light in the areas where it is most needed. The WDGE LED has zero uplight and qualifies as a Nighttime Friendly™ product, meaning it is consistent with the LEED® and Green Globes™ criteria for eliminating wasteful uplight.

ELECTRICAL

Light engine consists of high-efficacy LEDs mounted to metal-core circuit boards to maximize heat dissipation and promote long life (up to L91/100,000 hours at 25°C). The electronic driver has a power factor of >90%, THD <20%. Luminaire comes with built in 6kV surge protection, which meets a minimum Category C low exposure (per ANSI/IEEE C62.41.2). Fixture ships standard with 0-10v dimmable driver.

INSTALLATION

A universal mounting plate with integral mounting support arms allows the fixture to hinge down for easy access while making wiring connections. The 3/8" Architectural Wall Spacer (AWS) can be used to create a floating appearance or to accommodate small imperfections in the wall surface. The ICW option can be used to mount the luminaire inverted for indirect lighting in dry and damp locations. Design can withstand up to a 1.5 G vibration load rating per ANSI C136.31.

LISTINGS

CSA certified to U.S. and Canadian standards. Luminaire is IP66 rated. PIR options are rated for wet location. Rated for -40°C minimum ambient. DesignLights Consortium® (DLC) Premium qualified product and DLC qualified product. Not all versions of this product may be DLC Premium qualified or DLC qualified. Please check the DLC Qualified Products List at www.designlights.org/QPL to confirm which versions are qualified. International Dark-Sky Association (IDA) Fixture Seal of Approval (FSA) is available for all products on this page utilizing 2700K and 3000K color temperature only and SRM mounting only.

GOVERNMENT PROCUREMENT

BAA – Buy America(n) Act: Product qualifies as a domestic end product under the Buy American Act as implemented in the FAR and DFARS. Product also qualifies as manufactured in the United States under DOT Buy America regulations.
 BABA – Build America Buy America: Product qualifies as produced in the United States under the definitions of the Build America, Buy America Act.
 Please refer to www.acuitybrands.com/buy-american for additional information.

WARRANTY

5-year limited warranty. This is the only warranty provided and no other statements in this specification sheet create any warranty of any kind. All other express and implied warranties are disclaimed. Complete warranty terms located at:
www.acuitybrands.com/support/warranty/terms-and-conditions

Note: Actual performance may differ as a result of end-user environment and application. All values are design or typical values, measured under laboratory conditions at 25 °C. Specifications subject to change without notice.



WEDGE1 LED

Architectural Wall Sconce



Catalog Number

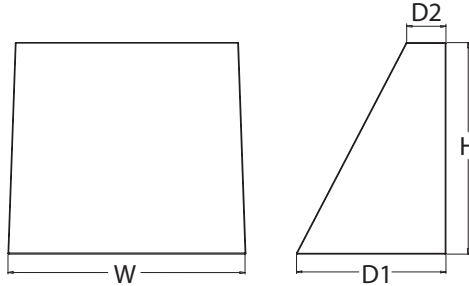
Notes

Type

Hit the Tab key or mouse over the page to see all interactive elements.

Specifications

Depth (D1): 5.5"
Depth (D2): 1.5"
Height: 8"
Width: 9"
Weight: 9 lbs
 (without options)



Introduction

The WEDGE LED family is designed to meet specifier's every wall-mounted lighting need in a widely accepted shape that blends with any architecture. The clean rectilinear design comes in four sizes with lumen packages ranging from 1,200 to 25,000 lumens, providing true site-wide solution.

WEDGE1 delivers up to 2,000 lumens with a soft, non-pixelated light source, creating a visually comfortable environment. The compact size of WEDGE1, with its integrated emergency battery backup option, makes it an ideal over-the-door wall-mounted lighting solution.

WEDGE LED Family Overview

Luminaire	Optics	Standard EM, 0°C	Cold EM, -20°C	Sensor	Approximate Lumens (4000K, 80CRI)						
					P0	P1	P2	P3	P4	P5	P6
WEDGE1 LED	Visual Comfort	4W		--	750	1,200	2,000	--	--	--	--
WEDGE2 LED	Visual Comfort	10W	18W	Standalone / nLight	--	1,200	2,000	3,000	4,500	6,000	--
WEDGE2 LED	Precision Refractive	10W	18W	Standalone / nLight	700	1,200	2,000	3,200	4,200	--	--
WEDGE3 LED	Precision Refractive	15W	18W	Standalone / nLight	6,000	7,500	8,500	10,000	12,000	--	--
WEDGE4 LED	Precision Refractive			Standalone / nLight	--	12,000	16,000	18,000	20,000	22,000	25,000

Ordering Information

EXAMPLE: WEDGE1 LED P2 40K 80CRI VF MVOLT SRM PE DDBXD

Series	Package	Color Temperature	CRI	Distribution	Voltage	Mounting
WEDGE1 LED	P0 P1 P2	27K 2700K 30K 3000K 35K 3500K 40K 4000K 50K ¹ 5000K	80CRI 90CRI	VF Visual comfort forward throw VW Visual comfort wide	MVOLT 347 ²	Shipped included SRM Surface mounting bracket ICW Indirect Canopy/Ceiling Washer bracket (dry/damp locations only) ³ Shipped separately AWS 3/8inch Architectural wall spacer ⁴ PBBW Surface-mounted back box (top, left, right conduit entry) Use when there is no junction box available. ⁴

Options	Finish
E4WH Emergency battery backup. Certified in CA Title 20 MAEDBS (4W, 0°C min) ⁵	DDBXD Dark bronze
PE Photocell, Button Type ⁶	DBLXD Black
DS Dual switching (comes with 2 drivers and 2 light engines; see page 3 for details)	DNAXD Natural aluminum
DMG 0-10V dimming wires pulled outside fixture (for use with an external control, ordered separately)	DWHXD White
BCE Bottom conduit entry for back box (PBBW). Total of 4 entry points.	DSSXD Sandstone
BAA Buy America(n) Act Compliant	DDBTXD Textured dark bronze
DSLE Dual Switching (1 Driver, 2 Light Engines)	DBLTXD Textured black
CCE Coastal Construction ⁴	DNATXD Textured natural aluminum
	DWHGXD Textured white
	DSSTXD Textured sandstone



COMMERCIAL OUTDOOR

One Lithonia Way • Conyers, Georgia 30012 • Phone: 1-800-705-SERV (7378) • www.lithonia.com
 © 2019-2024 Acuity Brands Lighting, Inc. All rights reserved.

WEDGE1 LED
 Rev. 03/27/24

Accessories

Ordered and shipped separately.

WDGEAWS DDBXD	WDGE 3/8inch Architectural Wall Spacer (specify finish)
WDGE1PBBW DDBXD U	WDGE1 surface-mounted back box (specify finish)

NOTES

- 50K not available in 90CRI.
- 347V not available with E4WH, DS, DSLE or PE.
- Not qualified for DLC. Not available with E4WH.
- For PBBW and AWS require an RFA.
- E4WH not available with PE or DS.
- PE not available with DS.

Performance Data

Lumen Output

Lumen values are from photometric tests performed in accordance with IESNA LM-79-08. Data is considered to be representative of the configurations shown, within the tolerances allowed by Lighting Facts. Contact factory for performance data on any configurations not shown here.

Performance Package	System Watts	Dist. Type	27K (2700K, 80 CRI)					30K (3000K, 80 CRI)					35K (3500K, 80 CRI)					40K (4000K, 80 CRI)					50K (5000K, 80 CRI)				
			Lumens	LPW	B	U	G	Lumens	LPW	B	U	G	Lumens	LPW	B	U	G	Lumens	LPW	B	U	G	Lumens	LPW	B	U	G
P0	7W	VF	693	99	0	0	0	718	103	0	0	0	739	106	0	0	0	759	108	0	0	0	764	109	0	0	0
		VW	694	99	0	0	0	720	103	0	0	0	740	106	0	0	0	760	109	0	0	0	766	109	0	0	0
P1	10W	VF	1,120	112	0	0	0	1,161	116	0	0	0	1,194	119	0	0	0	1,227	123	0	0	0	1,235	123	0	0	0
		VW	1,122	112	0	0	0	1,163	116	0	0	0	1,196	120	0	0	0	1,229	123	0	0	0	1,237	124	0	0	0
P2	15W	VF	1,806	120	1	0	0	1,872	125	1	0	0	1,925	128	1	0	0	1,978	132	1	0	0	1,992	133	1	0	0
		VW	1,809	120	1	0	0	1,876	125	1	0	0	1,929	128	1	0	0	1,982	132	1	0	0	1,996	133	1	0	0

Electrical Load

Performance Package	System Watts	Current (A)				
		120V	208V	240V	277V	347V
P0	7W	0.060	0.035	0.030	0.026	--
	9W	--	--	--	--	0.026
P1	10W	0.082	0.049	0.043	0.038	--
	13W	--	--	--	--	0.046
P2	15W	0.132	0.081	0.072	0.064	--
	18W	--	--	--	--	0.056

Lumen Multiplier for 90CRI

CCT	Multiplier
27K	0.845
30K	0.867
35K	0.845
40K	0.885
50K	0.898

Lumen Output in Emergency Mode (4000K, 80 CRI)

Option	Dist. Type	Lumens
E4WH	VF	646
	VW	647

Lumen Ambient Temperature (LAT) Multipliers

Use these factors to determine relative lumen output for average ambient temperatures from 0-40°C (32-104°F).

Ambient	Lumen Multiplier
0°C / 32°F	1.03
10°C / 50°F	1.02
20°C / 68°F	1.01
25°C / 77°F	1.00
30°C / 86°F	0.99
40°C / 104°F	0.98

Projected LED Lumen Maintenance

Data references the extrapolated performance projections for the platforms noted in a 25°C ambient, based on 10,000 hours of LED testing (tested per IESNA LM-80-08 and projected per IESNA TM-21-11).

To calculate LLF, use the lumen maintenance factor that corresponds to the desired number of operating hours below. For other lumen maintenance values, contact factory.

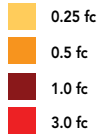
Operating Hours	0	25,000	50,000	100,000
Lumen Maintenance Factor	1.0	>0.96	>0.95	>0.91



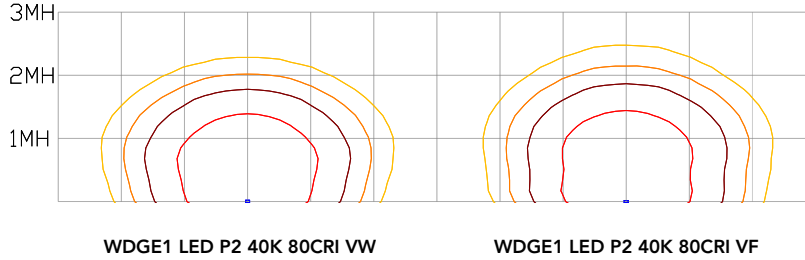
Photometric Diagrams

To see complete photometric reports or download .ies files for this product, visit the Lithonia Lighting WDGE LED homepage. Tested in accordance with IESNA LM-79 and LM-80 standards.

LEGEND



MH = 8ft
Grid = 8ft x 8ft



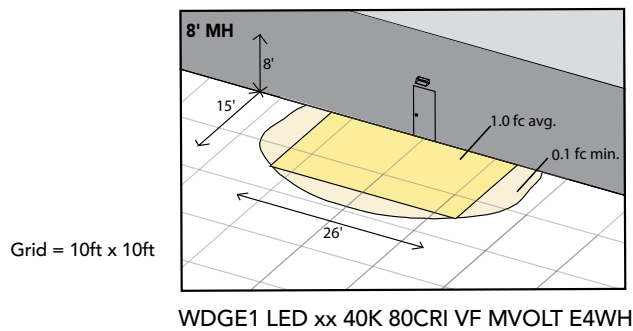
Emergency Egress Options

Emergency Battery Backup

The emergency battery backup is integral to the luminaire — no external housing required! This design provides reliable emergency operation while maintaining the aesthetics of the product. All emergency battery backup configurations include an independent secondary driver with an integral relay to immediately detect loss of normal power and automatically energize the luminaire. The emergency battery will power the luminaire for a minimum duration of 90 minutes (maximum duration of three hours) from the time normal power is lost and maintain a minimum of 60% of the light output at the end of 90minutes.

Applicable codes: NFPA 70/NEC – section 700.16, NFPA 101 Life Safety Code Section 7.9

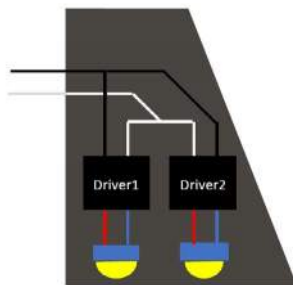
The example below shows illuminance of 1 fc average and 0.1 fc minimum in emergency mode with E4WH and VF distribution.



Dual Switching (DS) Option

The dual switching option offers operational redundancy that certain codes require. With this option the luminaire comes integrated with two drivers and two light engines. These work completely independent to each other so that a failure of any individual component does not cause the whole luminaire to go dark.

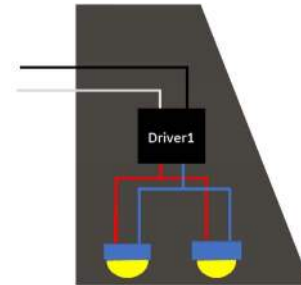
Applicable codes: NFPA 70/NEC – section 700.16, NFPA 101 Life Safety Code Section 7.9



Dual Switching Light Engine (DSLE) Option

The dual switching option offers operational redundancy that certain codes require. With this option the luminaire comes integrated with one driver and two light engines. These work completely independent to each other so that a failure of either light engine does not cause the whole luminaire to go dark.

Applicable codes: NFPA 70/NEC – section 700.16, NFPA 101 Life Safety Code Section 7.9





E4WH – 4W Emergency Battery Backup

D = 5.5"

H = 8"

W = 9"



PBBW – Surface-Mounted Back Box

Use when there is no junction box available.

D = 1.75"

H = 8"

W = 9"



AWS – 3/8inch Architectural Wall Spacer

D = 0.38"

H = 4.4"

W = 7.5"

FEATURES & SPECIFICATIONS

INTENDED USE

Common architectural look, with clean rectilinear shape, of the WDGE LED was designed to blend with any type of construction, whether it be tilt-up, frame or brick. Applications include commercial offices, warehouses, hospitals, schools, malls, restaurants, and other commercial buildings.

CONSTRUCTION

The single-piece die-cast aluminum housing integrates secondary heat sinks to optimize thermal transfer from the internal light engine heat sinks and promote long life. The driver is mounted in direct contact with the casting for a low operating temperature and long life. The die-cast door frame is fully gasketed with a one-piece solid silicone gasket to keep out moisture and dust, providing an IP66 rating for the luminaire.

FINISH

Exterior painted parts are protected by a zinc-infused Super Durable TGIC thermoset powder coat finish that provides superior resistance to corrosion and weathering. A tightly controlled multi-stage process ensures a 3 mils thickness for a finish that can withstand extreme climate changes without cracking or peeling. Standard Super Durable colors include dark bronze, black, natural aluminum, sandstone and white. Available in textured and non-textured finishes.

OPTICS

Well crafted reflector optics allow the light engine to be recessed within the luminaire, providing visual comfort, superior distribution, uniformity, and spacing in wall-mount applications. The WDGE LED has zero uplight and qualifies as a Nighttime Friendly™ product, meaning it is consistent with the LEED® and Green Globes™ criteria for eliminating wasteful uplight.

ELECTRICAL

Light engine consists of high-efficacy LEDs mounted to metal-core circuit boards to maximize heat dissipation and promote long life (up to L91/100,000 hours at 25°C). The electronic driver has a power factor of >90%, THD <20%. Luminaire comes with built in 6kV surge protection, which meets a minimum Category C low exposure (per ANSI/IEEE C62.41.2). Fixture ships standard with 0-10v dimmable driver.

INSTALLATION

A universal mounting plate with integral mounting support arms allows the fixture to hinge down for easy access while making wiring connections. The 3/8" Architectural Wall Spacer (AWS) can be used to create a floating appearance or to accommodate small imperfections in the wall surface. The ICW option can be used to mount the luminaire inverted for indirect lighting in dry and damp locations. Design can withstand up to a 1.5 G vibration load rating per ANSI C136.31.

LISTINGS

CSA certified to U.S. and Canadian standards. Luminaire is IP66 rated. PIR options are rated for wet location. Rated for -40°C minimum ambient. DesignLights Consortium® (DLC) Premium qualified product and DLC qualified product. Not all versions of this product may be DLC Premium qualified or DLC qualified. Please check the DLC Qualified Products List at www.designlights.org/QPL to confirm which versions are qualified. International Dark-Sky Association (IDA) Fixture Seal of Approval (FSA) is available for all products on this page utilizing 2700K and 3000K color temperature only and SRM mounting only.

GOVERNMENT PROCUREMENT

BAA – Buy America(n) Act: Product qualifies as a domestic end product under the Buy American Act as implemented in the FAR and DFARS. Product also qualifies as manufactured in the United States under DOT Buy America regulations.
BABA – Build America Buy America: Product qualifies as produced in the United States under the definitions of the Build America, Buy America Act.
Please refer to www.acuitybrands.com/buy-american for additional information.

WARRANTY

5-year limited warranty. This is the only warranty provided and no other statements in this specification sheet create any warranty of any kind. All other express and implied warranties are disclaimed. Complete warranty terms located at: www.acuitybrands.com/support/warranty/terms-and-conditions

Note: Actual performance may differ as a result of end-user environment and application. All values are design or typical values, measured under laboratory conditions at 25 °C. Specifications subject to change without notice.