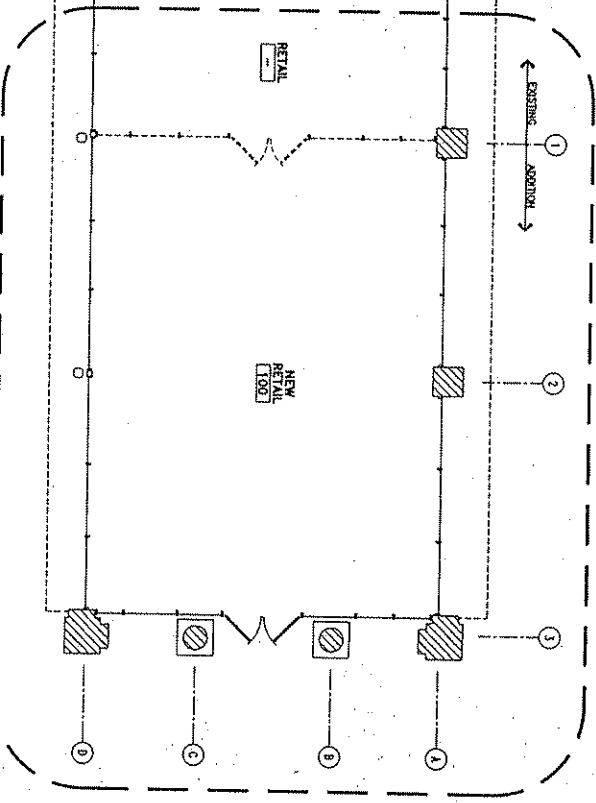
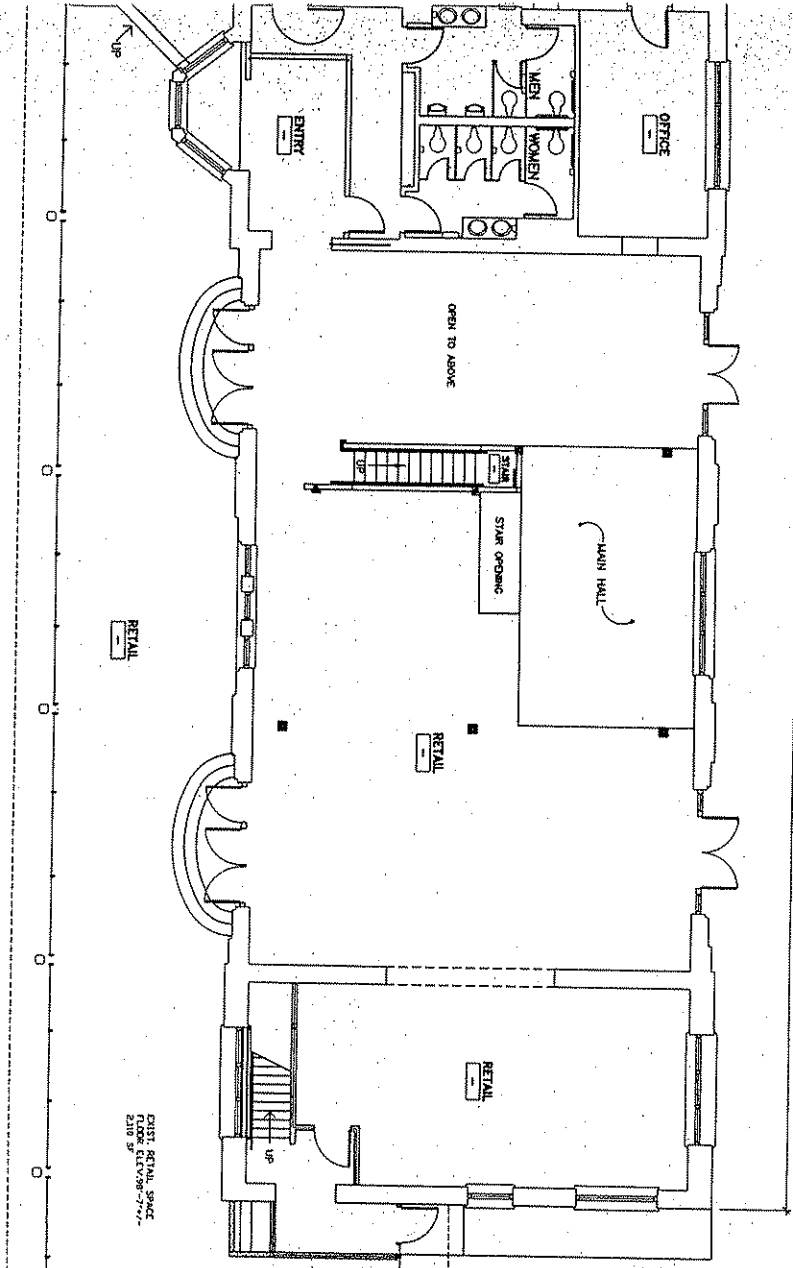






FLOOR PLAN - OVERALL

SCALE 1/8" = 1'-0"

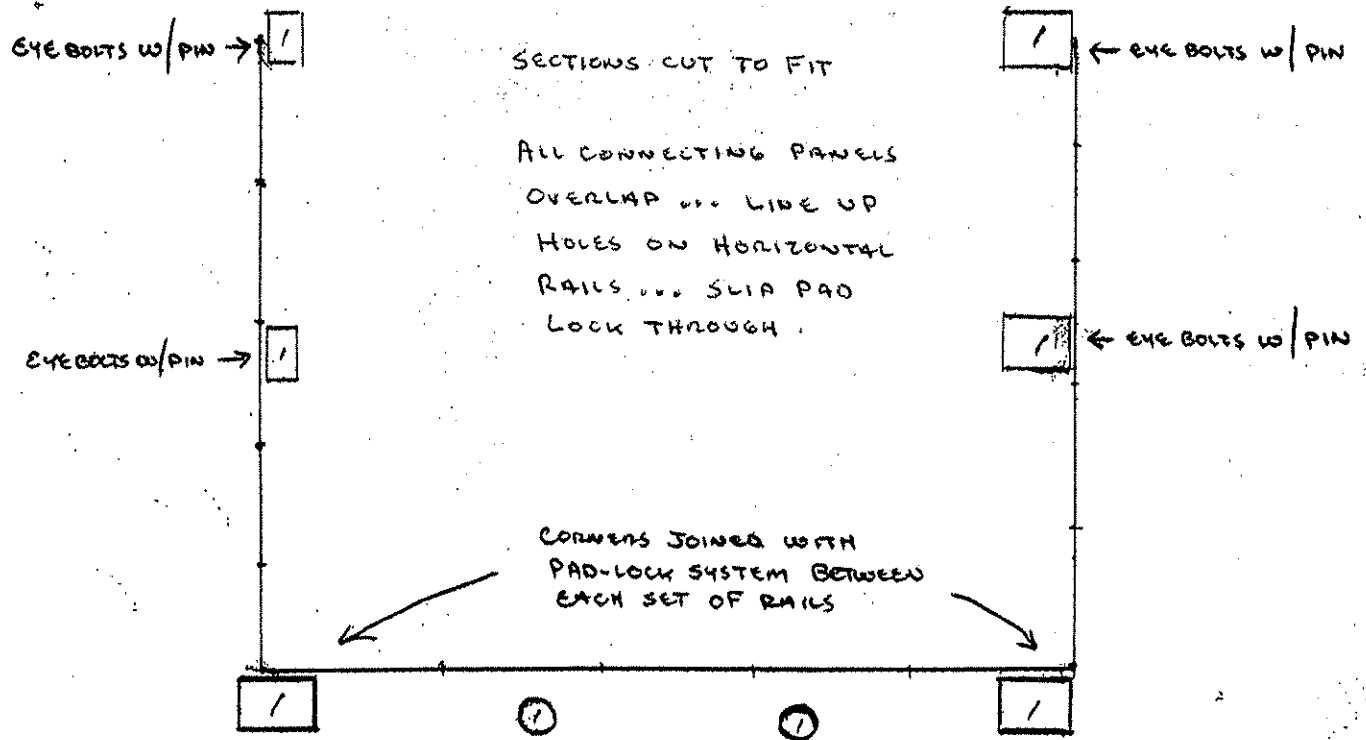


101-9"



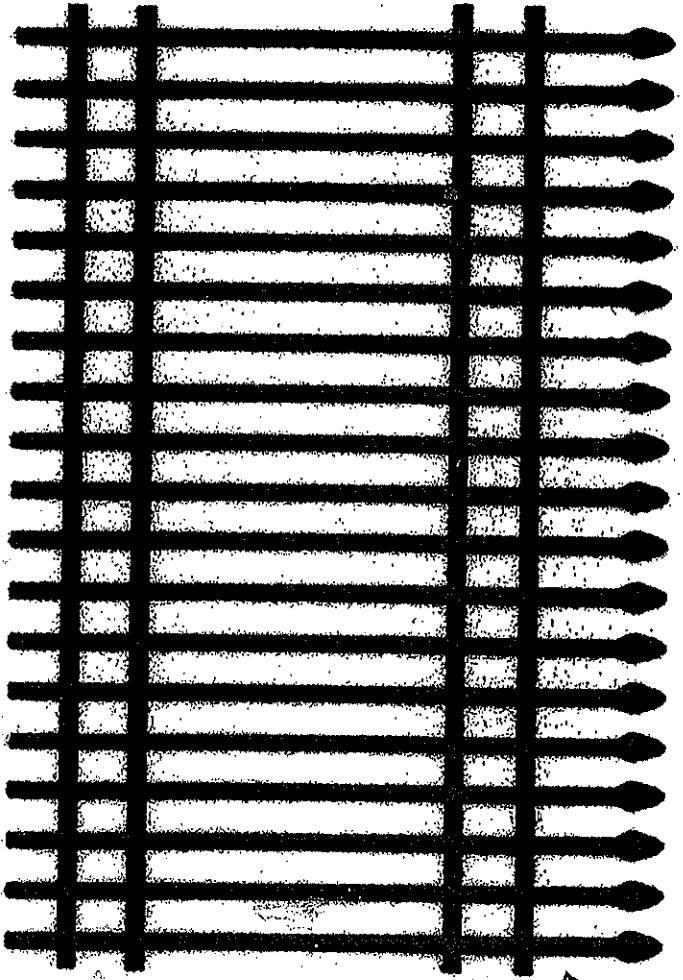
WILLIAMSON BIKES

FENCE PANEL LAYOUT



8' TALL

4-Rail Classic



← 1" PICKET

← PANELS JOINED AT PANELS w/ PNO LOCK SYSTEM (LINE UP HOLES IN PANELS)

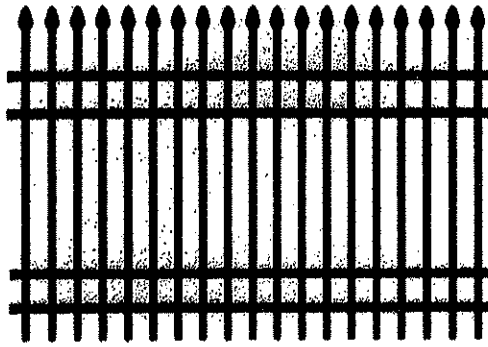
THIS ENABLES A LEVEL PROFILE

← PANELS JOINED AT PANELS w/ PNO LOCK SYSTEM

← 3 3/4"

SPACING

4-Rail Classic

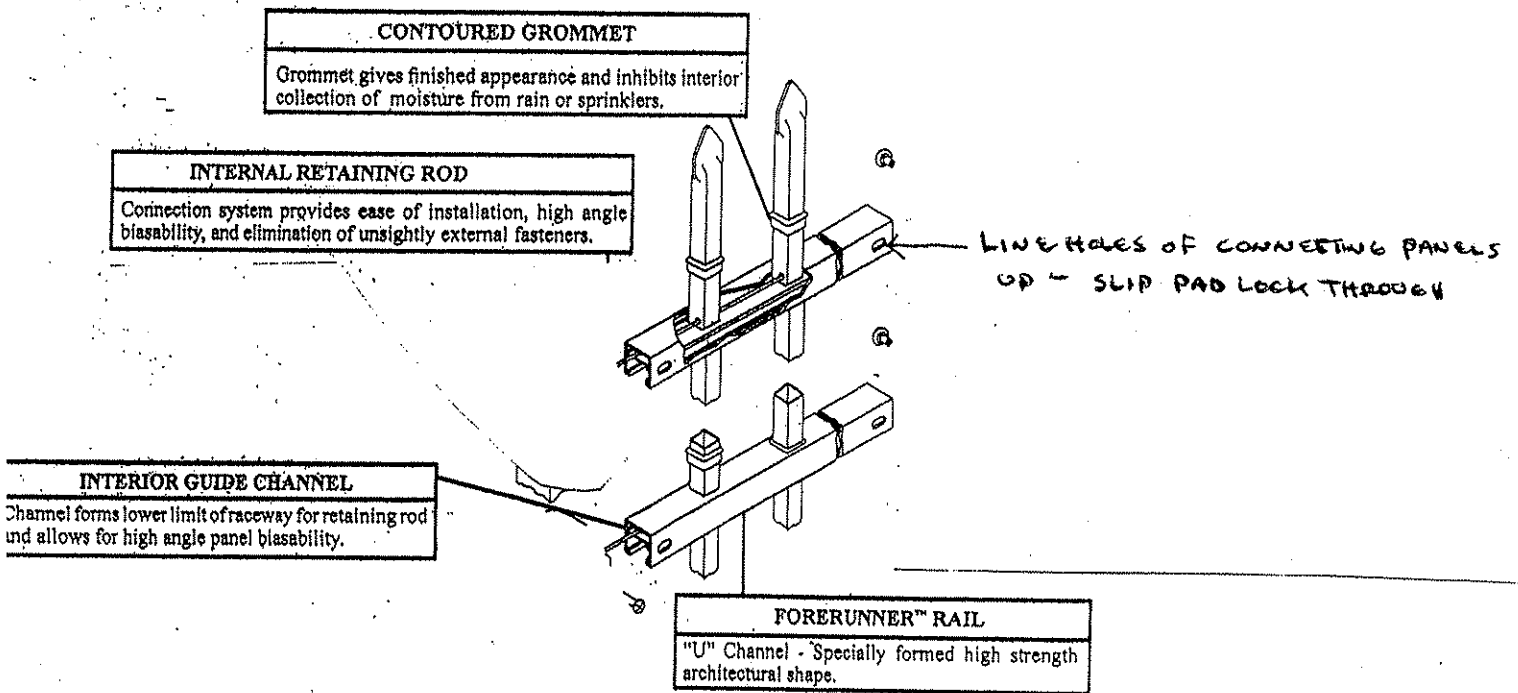


Echelon II®

INDUSTRIAL ORNAMENTAL ALUMINUM FENCE

Echelon II Rail: 1.75" x 1.75" (.100" top wall / .120" side walls)

Echelon II Picket: 1" x 1" x .065"



STRUCK & IRWIN FENCE

A trusted name for over 75 years

CHAIN LINK • WOOD • VINYL
ORNAMENTAL IRON • FLAGS & FLAGPOLES

BILL TOMER

826 WILLIAMSON ST.
MADISON, WI 53703
sales@struckandirwinfence.com

608-255-1673
800-369-0984
FAX 608-255-1675