



Change of Premises

Fee: \$25.00

City of Madison Clerk
210 MLK Jr Blvd, Room 103
Madison, WI 53703
licensing@cityofmadison.com
608-266-4601

(Agenda Item Number)

(Legistar file number)

(License number)

(Alder District #) (Police Sector)
Office Use Only

Class A: Beer, Liquor, Cider
Class B: Beer, Liquor,
 Class C Wine

Licensed Premises Information

This application modifies existing alcohol license number: 68167-71268
Business dba Name: North and South Seafood & Smokehouse
Licensed Address: 6604 Mineral Point Rd Madison Wi 53705
Liquor/Beer Agent Name: Keith Stoesz
8 % Alcohol, 92 % Food, % Other Alder, District #: _____ Police Sector: _____

Corporate Information

Business Legal Name (as on WI State Sellers Permit): Reel Big Fish LLC
Business Mailing Address: 6604 Mineral Point Rd Madison Wi 53705
Business Contact Name, Position: Keith or Erin Stoesz
Business Phone: 6088290093 Business Email: rbf6604@gmail.com

Current Capacity (indoor): 185 **Current Capacity (outdoor):** _____

Proposed Capacity (indoor): 185 **Proposed Capacity (outdoor):** _____

If your capacity is increasing, contact Building Inspection: (608) 266-4551, binspection@cityofmadison.com

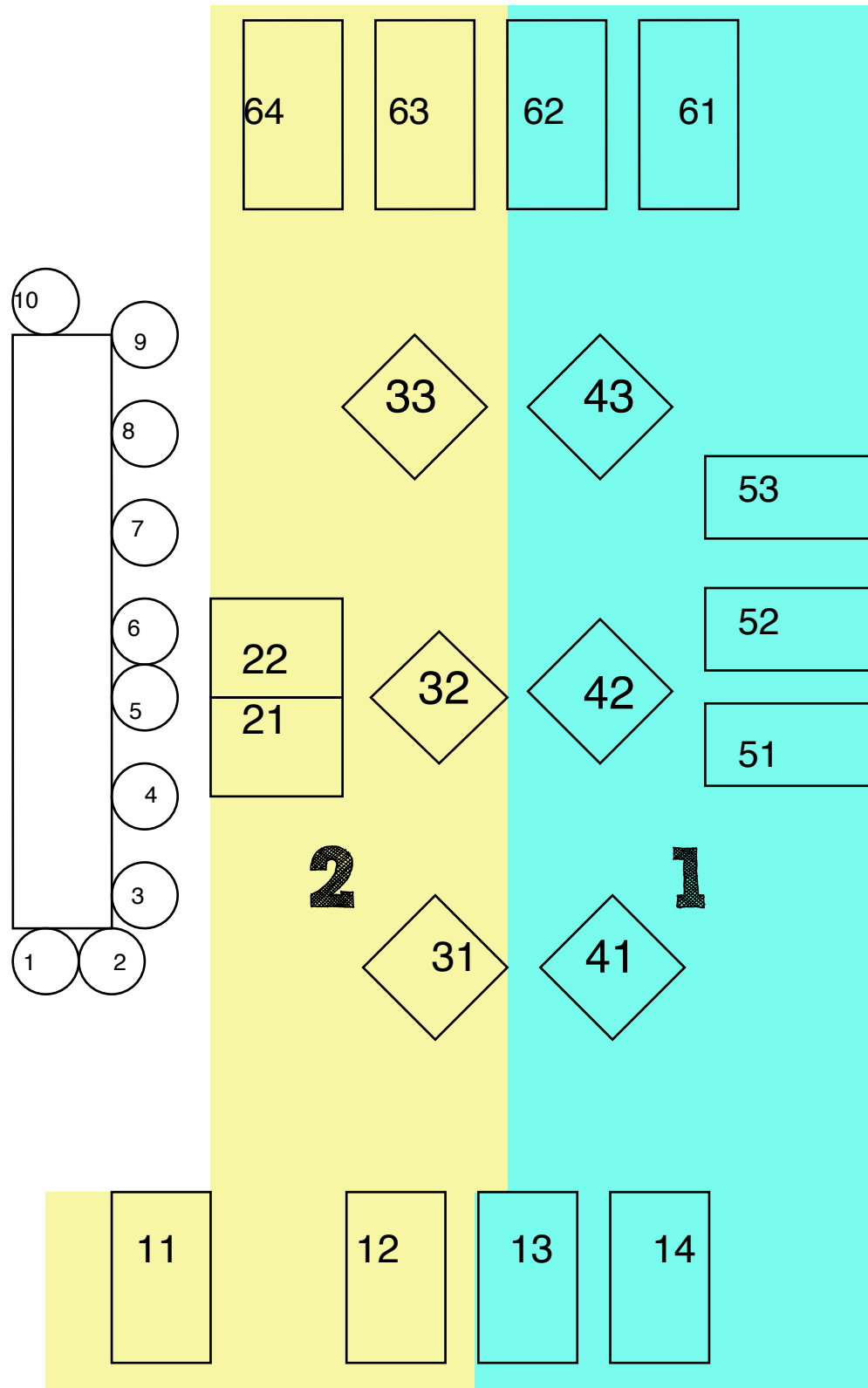
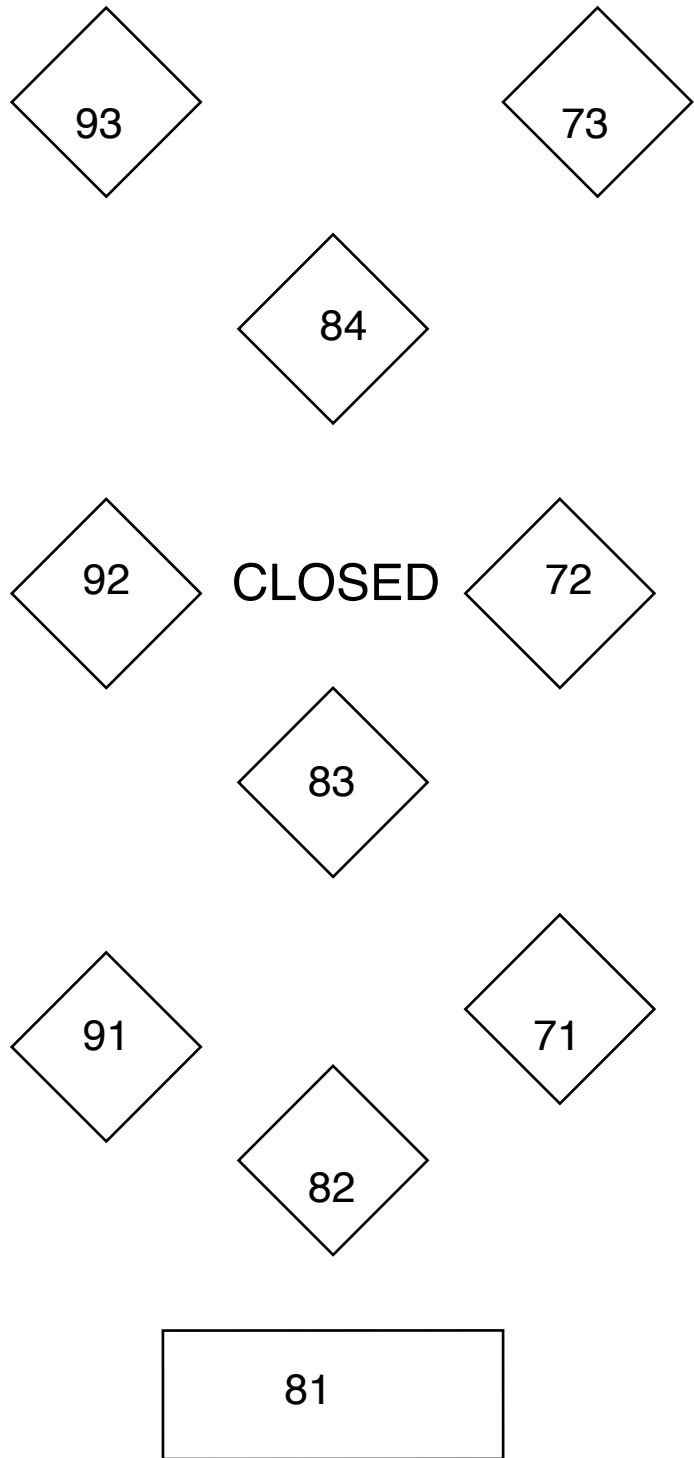
Description of Proposed Changes: _____

We took over vacant space next door to accommodate seating restrictions from COVID. We are not currently seating at 185 but that is the official capacity if things were completely open. Once it goes to 100% we will re-evaluate how much we can use for dining space with the limitations of our kitchen. I attached the floor plan we are using now, but not all tables are in use.

Detailed Floor Plans included (required)

Erin Stoesz , 4/29/2021
Authorized Signature Date

Orange sign and business card issued
 "License Renewals & Changes" brochure with next steps issued
Office Use Only



2 CHART

