

Fish Hatchery Rd. Island at Appleton Rd.

1" = 10' when printed at 11"x17"

ALL MEASUREMENTS ARE TO THE FACE OF CURB
UNLESS OTHERWISE NOTED.

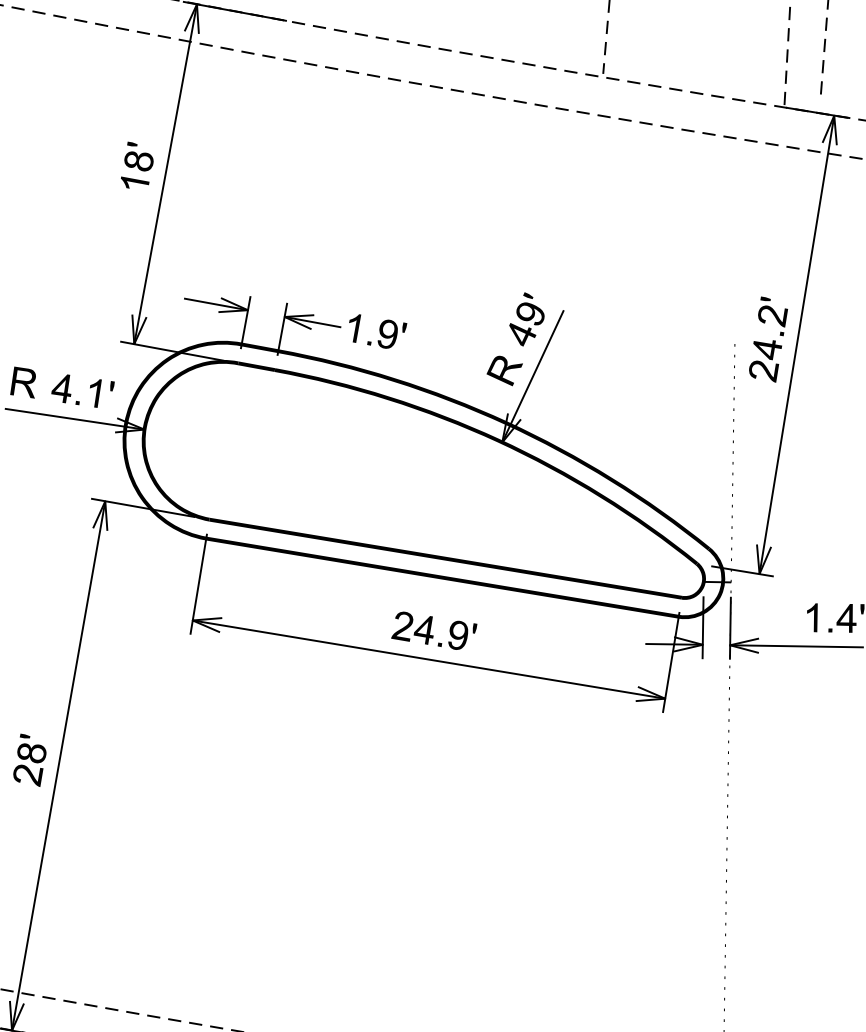
COORDINATE WITH TRAFFIC ENGINEERING TO MARK
OUT THE ISLAND IN THE FIELD. THE FINAL LINE PAINTED
ON THE PAVEMENT REPRESENTS THE ISLAND FACE OF
CURB LOCATION.

THIS ISLAND SHALL HAVE TYPE "E" CURB AND MOUNTABLE
NOSES PER S.D.D. 3.13.

INTERIOR OF THE ISLAND SHALL BE STAMPED & COLORED
7" CONCRETE. PATTERN SHALL BE 6"X6" COBBLESTONE &
COLOR SHALL BE TERRA COTTA

FISH HATCHERY RD

APPLETON RD.



FRISCH ROAD
2013 NTMP
TWO SPEED HUMPS

CHAPEL HILL RD

SPEED HUMP

SPEED HUMP

PIPING ROCK RD

FRISCH RD

WOODINGTON WAY

WINSTON DR

1202

1138

1134

1130

1126

1122

1118

1114

1110

1106

1102

DW

DW

DW

DW

DW

DW

DW

DW

DW

DW

DW

DW

DW

DW

DW

DW

DW

DW

DW

DW

6413

1133

1129

1125

1121

1117

1113

1109

1105

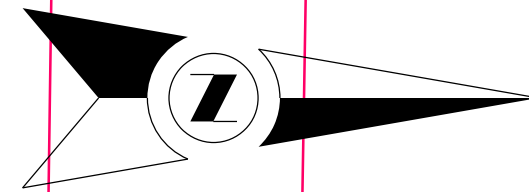
6413

6409

1134

6405

6401

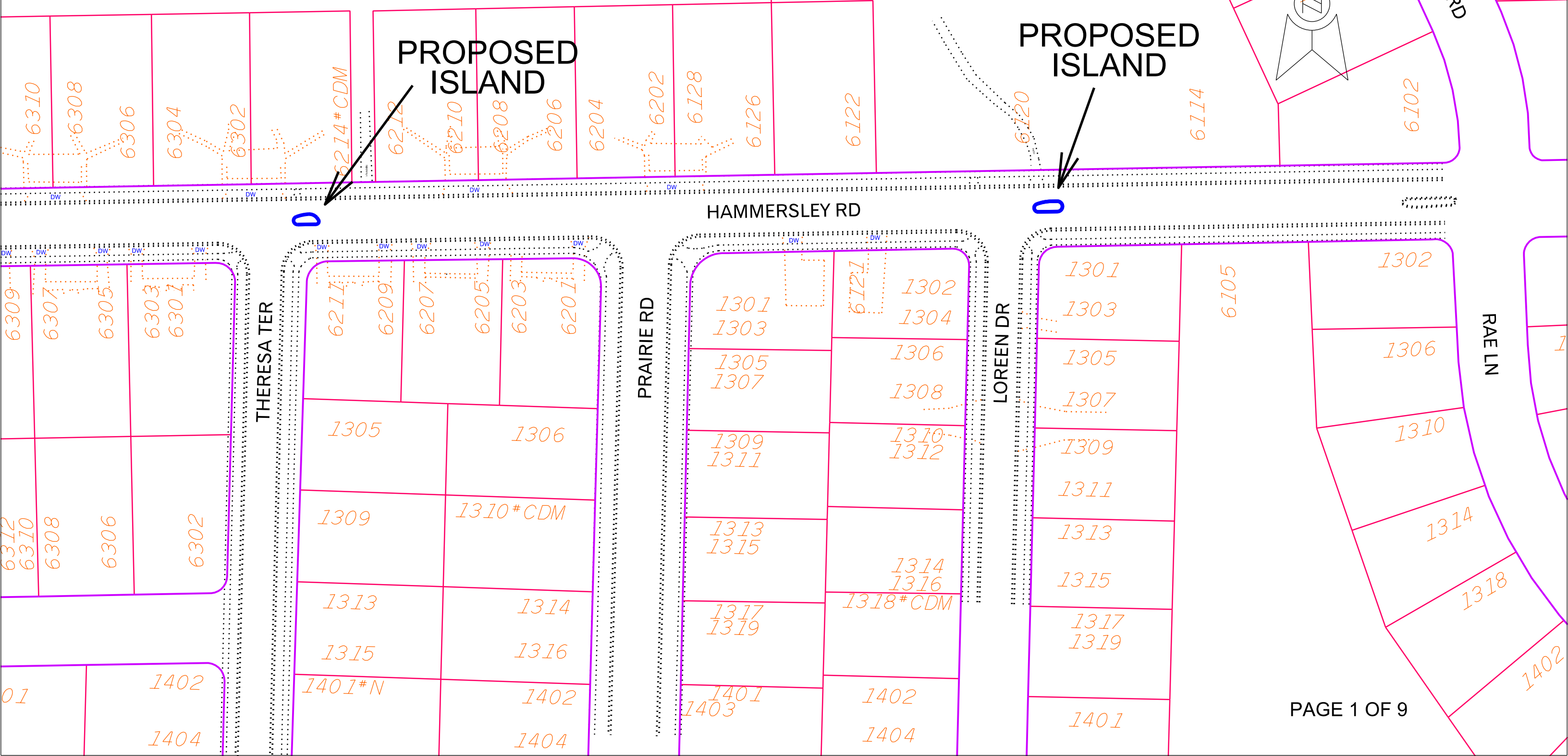
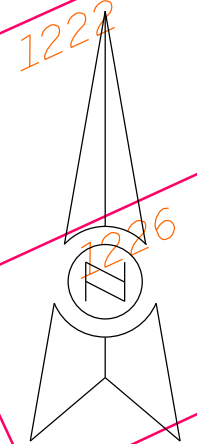
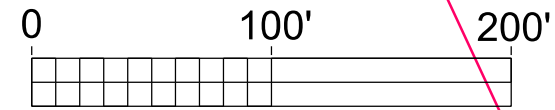


Hammersley Road

TWO ISLANDS TO PROVIDE TRAFFIC CALMING AND IMPROVED PEDESTRIAN AND BICYCLIST SAFETY

FALK SCHOOL

ISLANDS SHALL HAVE TYPE "E" CURB AND MOUNTABLE NOSES PER S.D.D. 3.13



6302

6216

SIDEWALK

Hammersley Road Island at Theresa Ter.

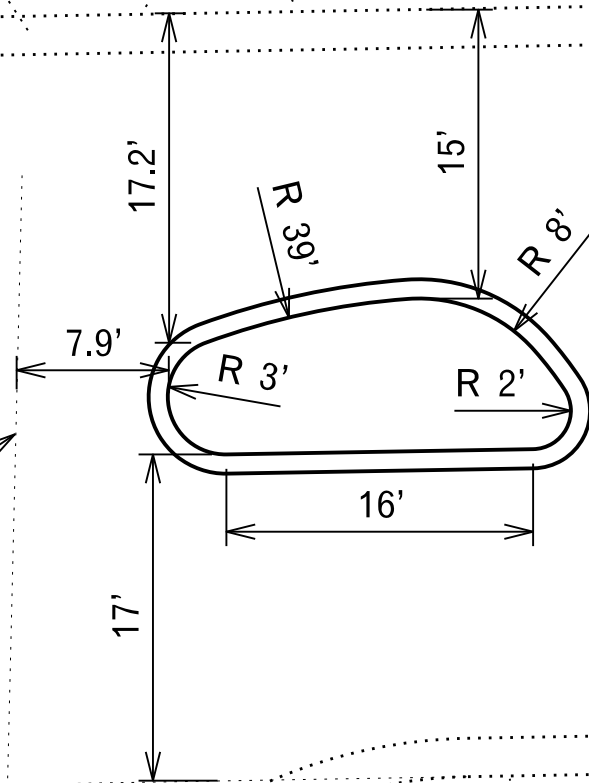
DW

ALL MEASUREMENTS ARE TO THE FACE OF CURB
UNLESS OTHERWISE NOTED.

COORDINATE WITH TRAFFIC ENGINEERING TO MARK
OUT THE ISLAND IN THE FIELD. THE FINAL LINE PAINTED
ON THE PAVEMENT REPRESENTS THE ISLAND FACE OF
CURB LOCATION.

THIS ISLAND SHALL HAVE TYPE "E" CURB AND MOUNTABLE
NOSES PER S.D.D. 3.13.

EXTENDED FACE
OF CURB LINE



HAMMERSLEY RD

DW

DW

DW

THERESA TER



6301

6211

6209

1" = 10' when printed at 11"x17"

Hammersley Road Island at Loreen Dr.

PATH

ALL MEASUREMENTS ARE TO THE FACE OF CURB
UNLESS OTHERWISE NOTED.

COORDINATE WITH TRAFFIC ENGINEERING TO MARK
OUT THE ISLAND IN THE FIELD. THE FINAL LINE PAINTED
ON THE PAVEMENT REPRESENTS THE ISLAND FACE OF
CURB LOCATION.

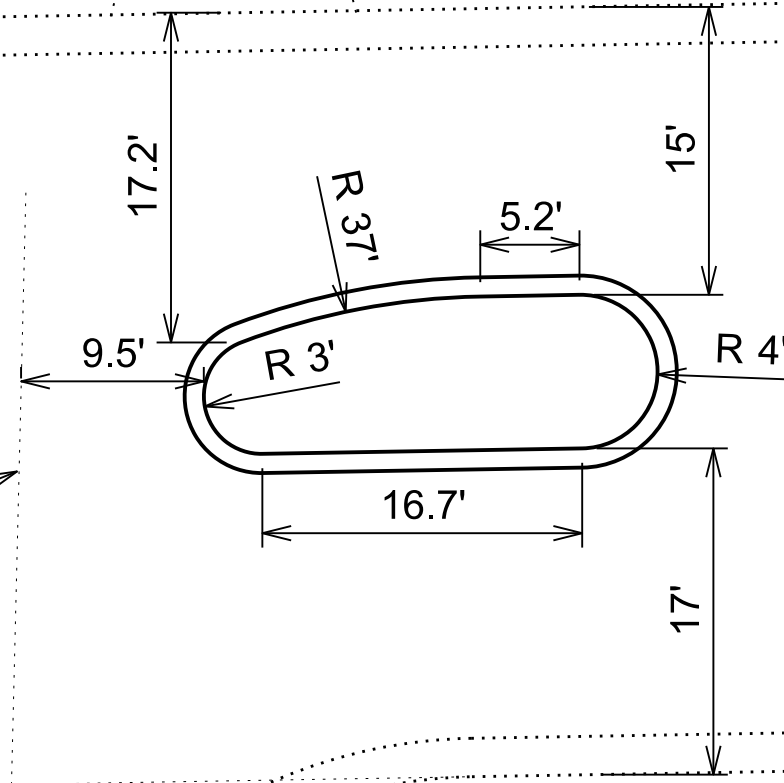
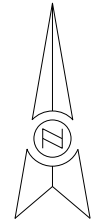
THIS ISLAND SHALL HAVE TYPE "E" CURB AND MOUNTABLE
NOSES PER S.D.D. 3.13.

6114

HAMMERSLEY RD

EXTENDED FACE
OF CURB LINES

LOREEN DR

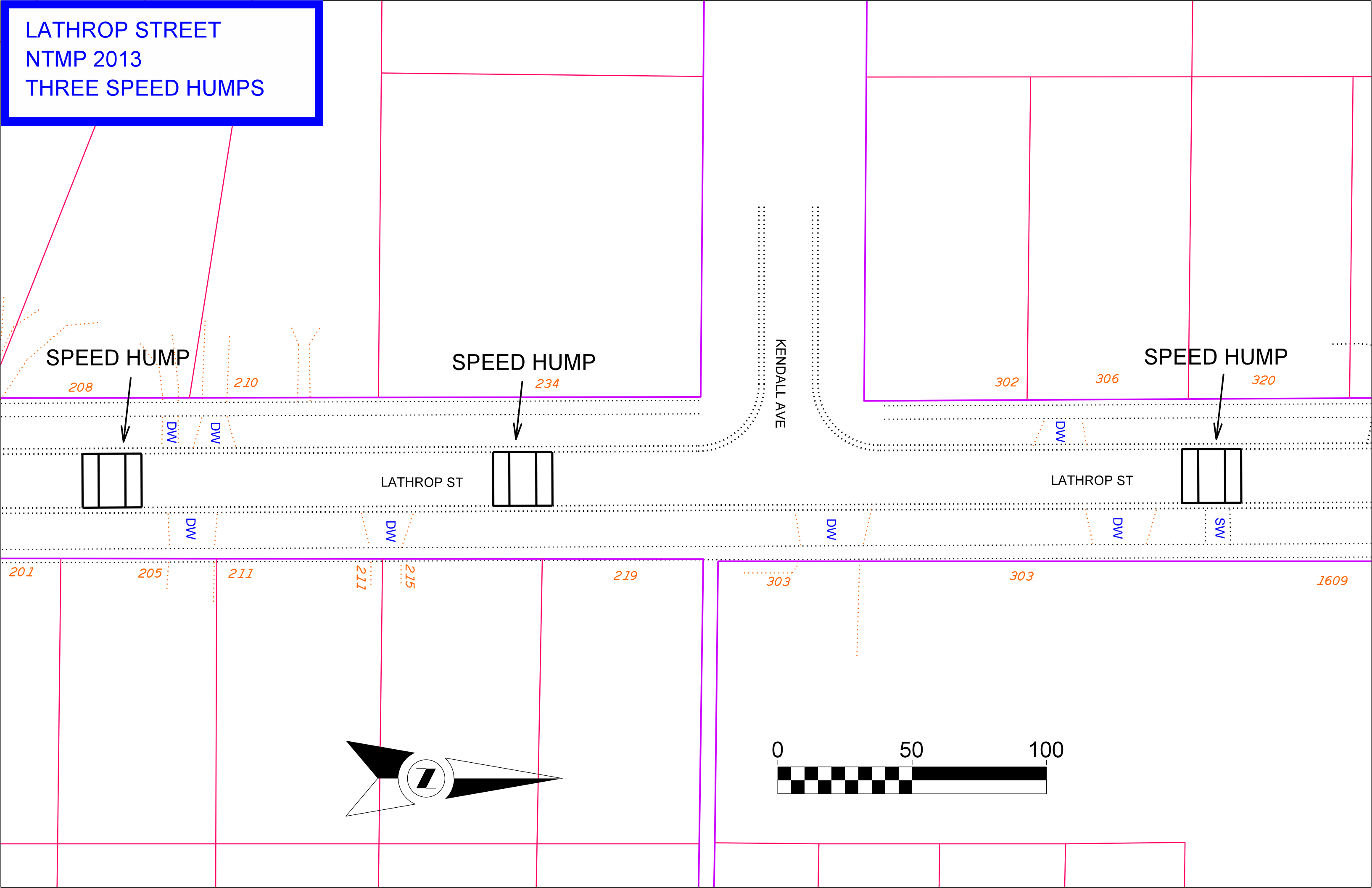


1302

1301

1" = 10' when printed at 11"x17"

LATHROP STREET
NTMP 2013
THREE SPEED HUMPS



SPEED HUMPH

208

SPEED HUMPH

234

SPEED HUMPH

320

LATHROP ST

LATHROP ST

KENDALL AVE

DW

DW

DW

DW

DW

DW

SW

201

205

211

211

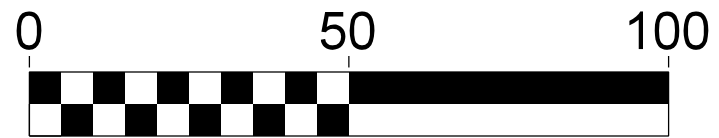
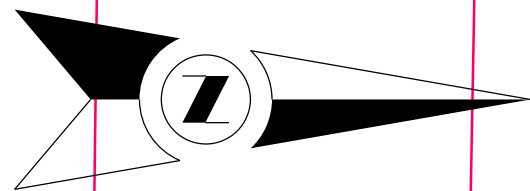
215

219

303

303

1609



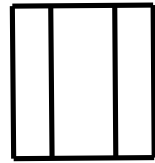
MADISON STREET
NTMP 2013
TWO SPEED HUMPS

SPEED HUMP

1910

1906
1908

1902



MADISON ST

1913

1909

1905

1903

1901

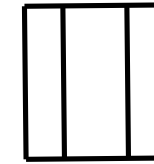
SPEED HUMP

1822

1818
1820

1814-16

1812



MADISON ST

HARRISON ST

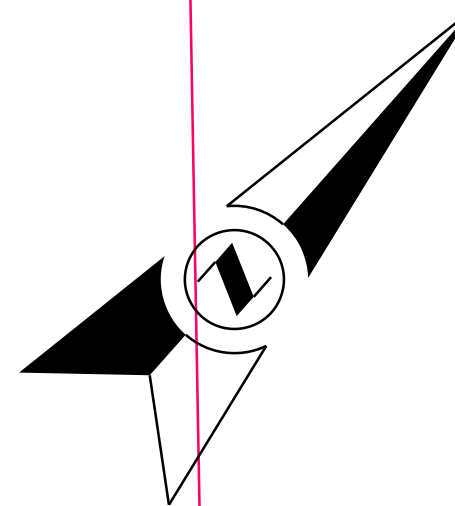
905

1819

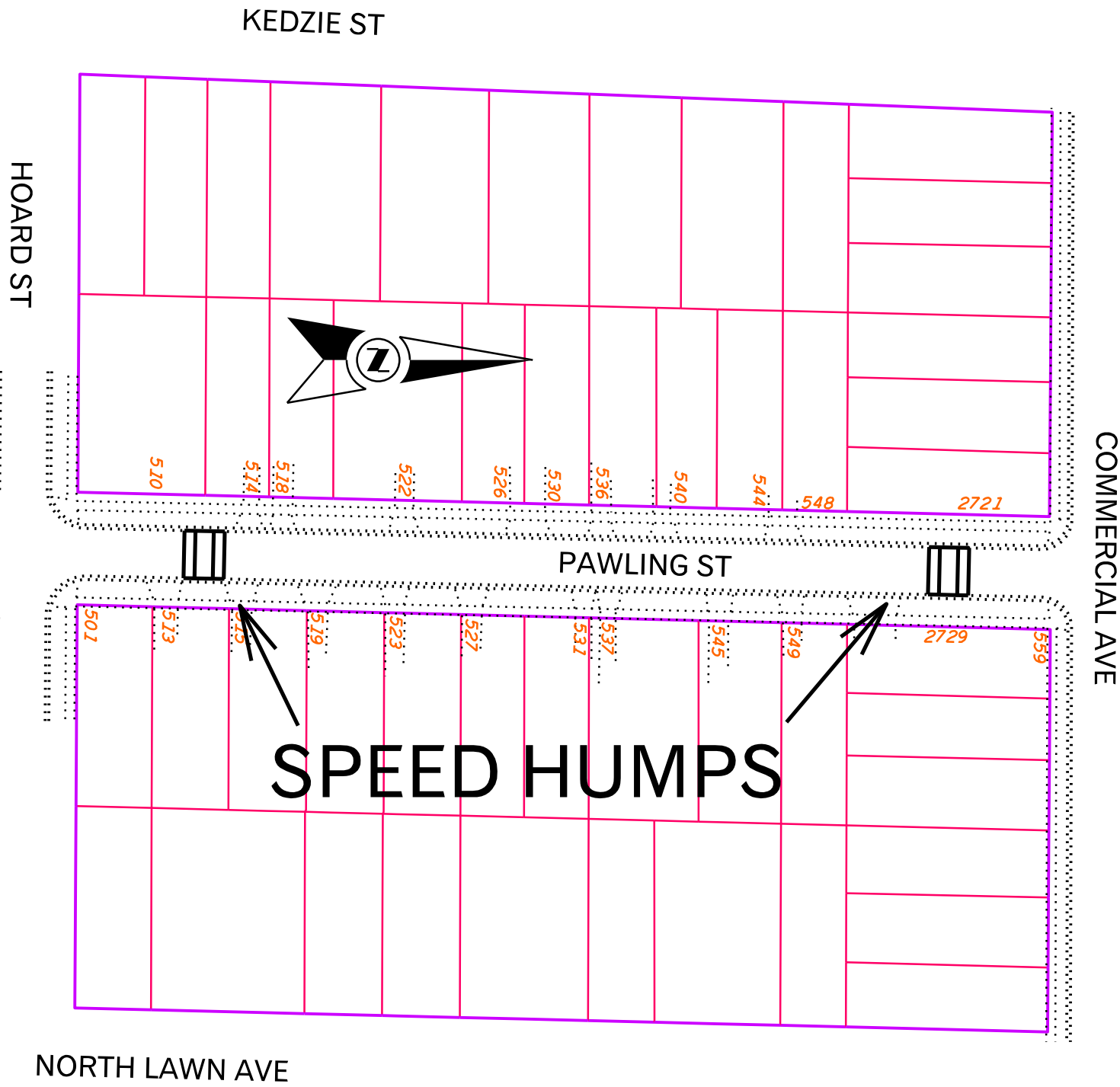
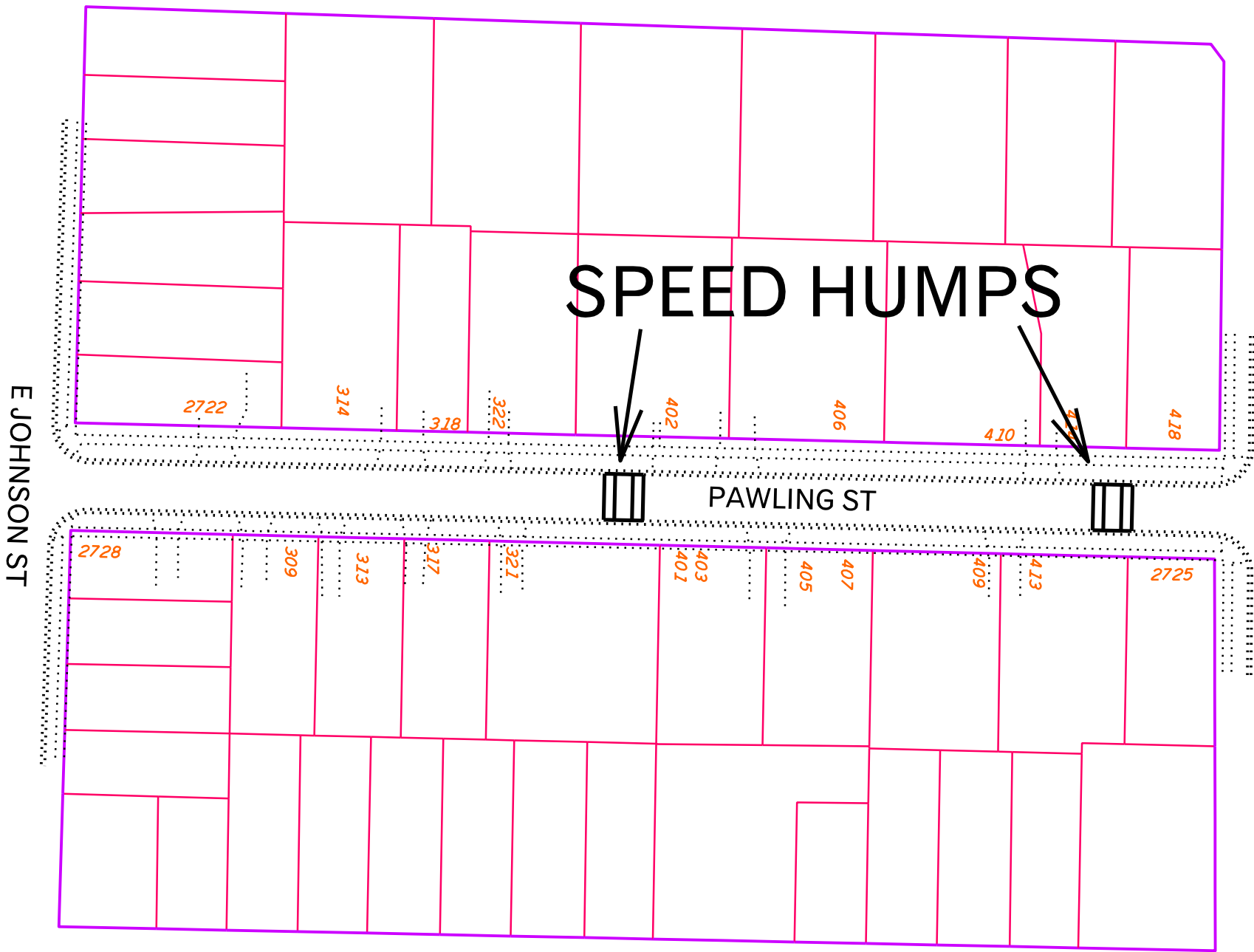
1817

1815

1809



PAWLING ST.
NTMP 2013
FOUR SPEED HUMPS



SUNFIELD ST.
NTMP 2013
FOUR SPEED HUMPS

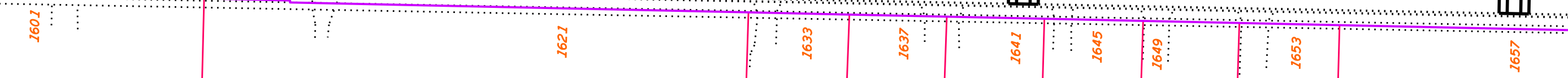
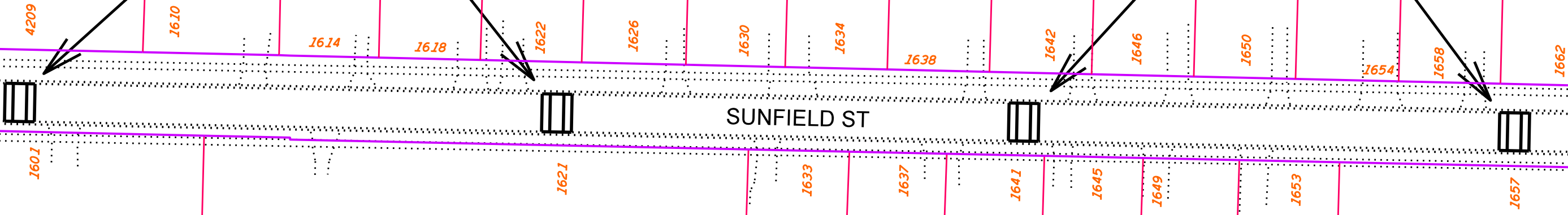
SPEED HUMPS

SPEED HUMPS

HANOVER ST

N SHERMAN AVE

SUNFIELD ST



TOKAY BLVD. ISLAND AT METRO WEST TRANSFER HUB

METRO WEST TRANSFER HUB

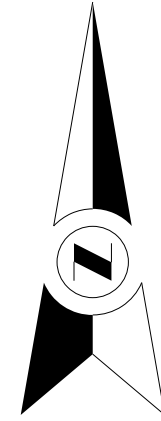
1"=20' AT 11"X17"PRINT SIZE

ALL MEASUREMENTS ARE TO THE FACE OF CURB
UNLESS OTHERWISE NOTED.

COORDINATE WITH TRAFFIC ENGINEERING TO HAVE
ISLANDS MARKED IN THE FIELD.

THE FINAL LINE PAINTED ON THE PAVEMENT REPRESENTS
THE ISLAND FACE OF CURB LOCATION.

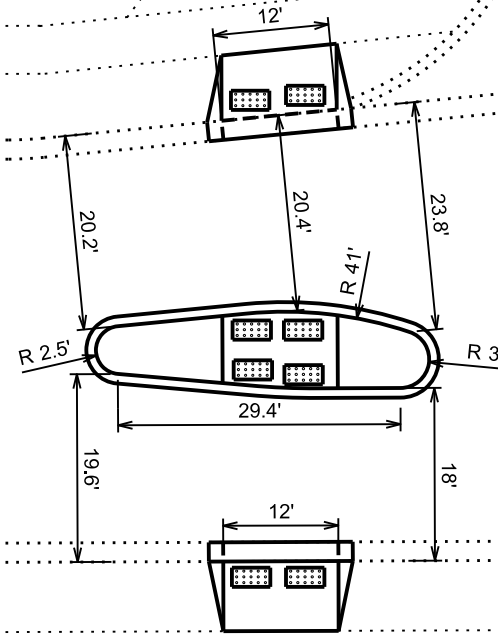
THIS ISLAND SHALL HAVE TYPE "E" CURB AND MOUNTABLE
NOSES PER S.D.D. 3.13.



5502

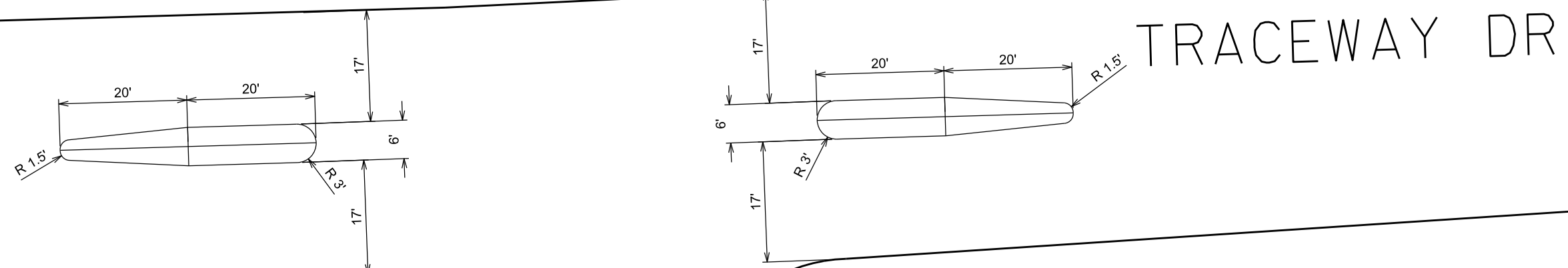
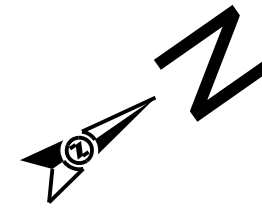
5598

TOKAY BLVD



5525

5501



PIKE DR

TRACEWAY DR

PLOT SCALE: _____

PLOT NAME: _____

REV. DATE: _____

ORIGINATOR: CITY OF MADISON, TRAFFIC ENG. DIV.



BUS SHELTER



SIDEWALK

SIDEWALK

GRASS

GRASS

SHERMAN AVE

22'

20'

16.5'

8.0'

R 1.5'

R 2.0'

R 1.5'

6.0'

R 3.0'

35.5'

18'

18'

GRASS

GRASS

SIDEWALK

SIDEWALK

All dimensions are to face of curb.

PLOT SCALE:

PLOT NAME:

REV. DATE:

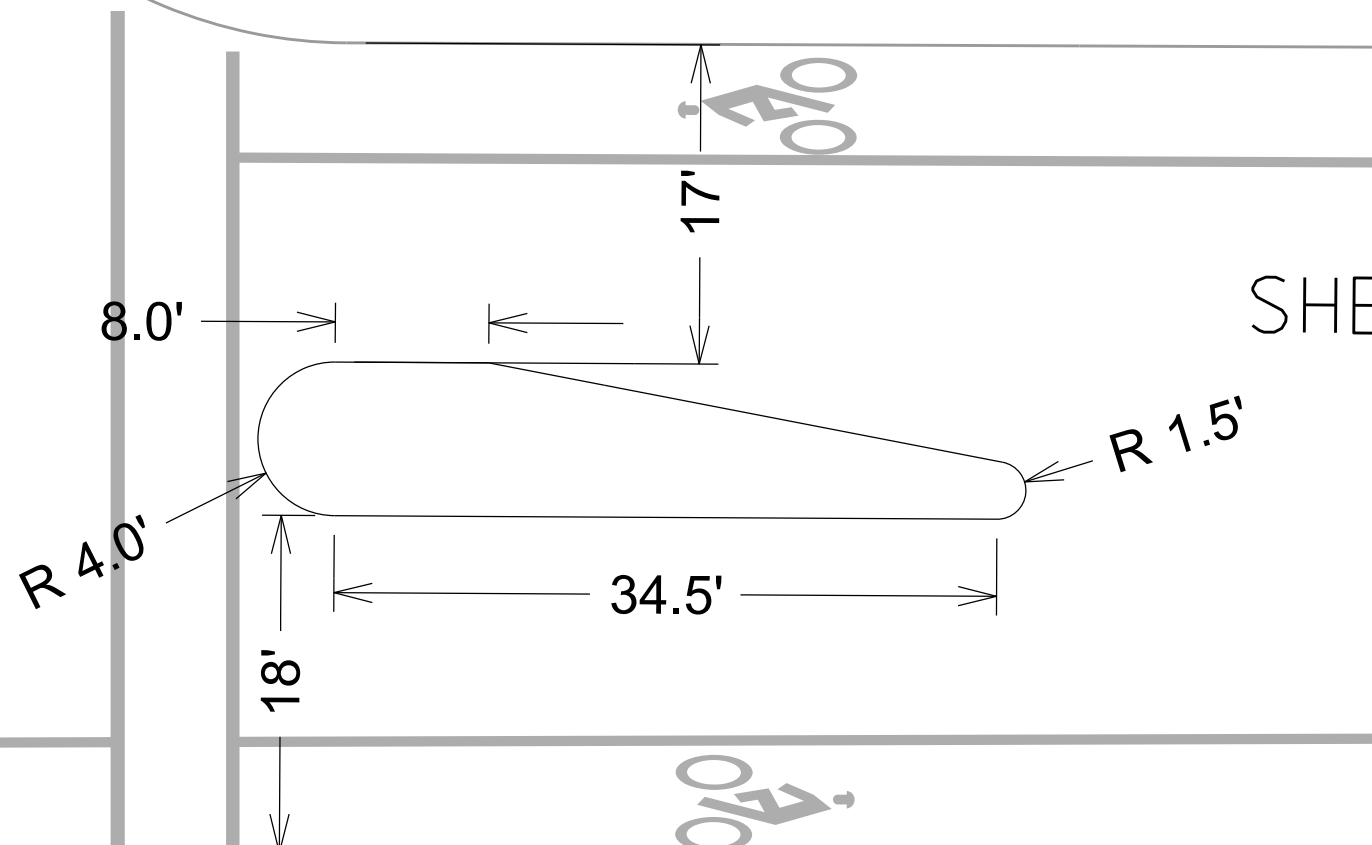
ORIGINATOR: CITY OF MADISON, TRAFFIC ENG. DIV.



STEENSLAND DR

SHERMAN AVE

BOYD AVE



PLOT SCALE:

PLOT NAME:

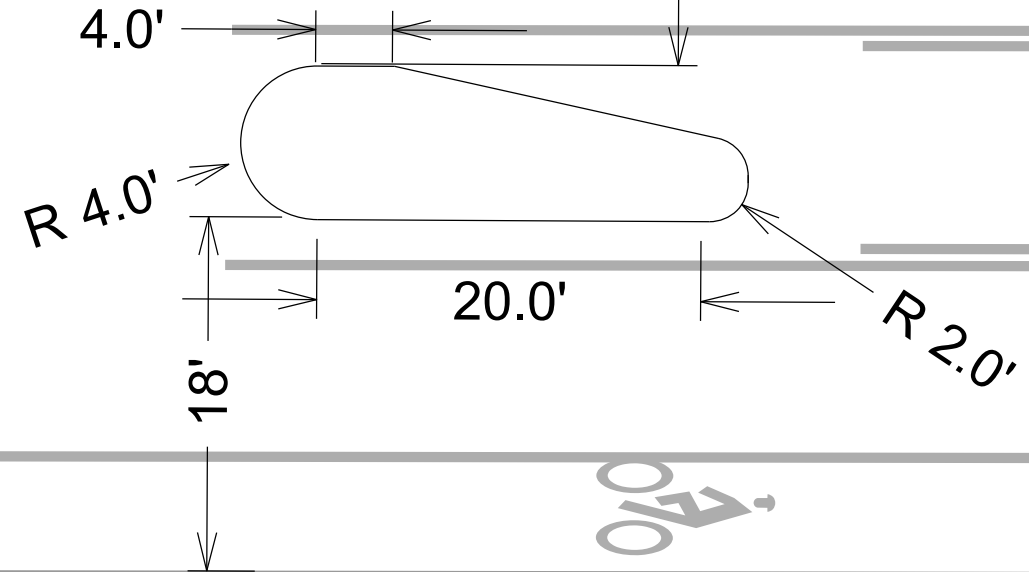
REV. DATE:

ORIGINATOR: CITY OF MADISON, TRAFFIC ENG. DIV.



LOGAN ST

SHERMAN AVE



PLOT SCALE:

PLOT NAME:

REV. DATE:

ORIGINATOR: CITY OF MADISON, TRAFFIC ENG. DIV.



FARRAGUT ST

SIDEWALK

GRASS

18'

4.0'

SHERMAN AVE

R 4.0'

28.9'

R 7.5'

18'



GRASS

SIDEWALK

PLOT SCALE:

PLOT NAME:

REV. DATE:

ORIGINATOR: CITY OF MADISON, TRAFFIC ENG. DIV.



SHERMAN AVE

SACHTJEN ST

R 4.0'

4.0'

26.2'

18'

18'

R 1.5'



PLOT SCALE:

PLOT NAME:

REV. DATE:

ORIGINATOR: CITY OF MADISON, TRAFFIC ENG. DIV.

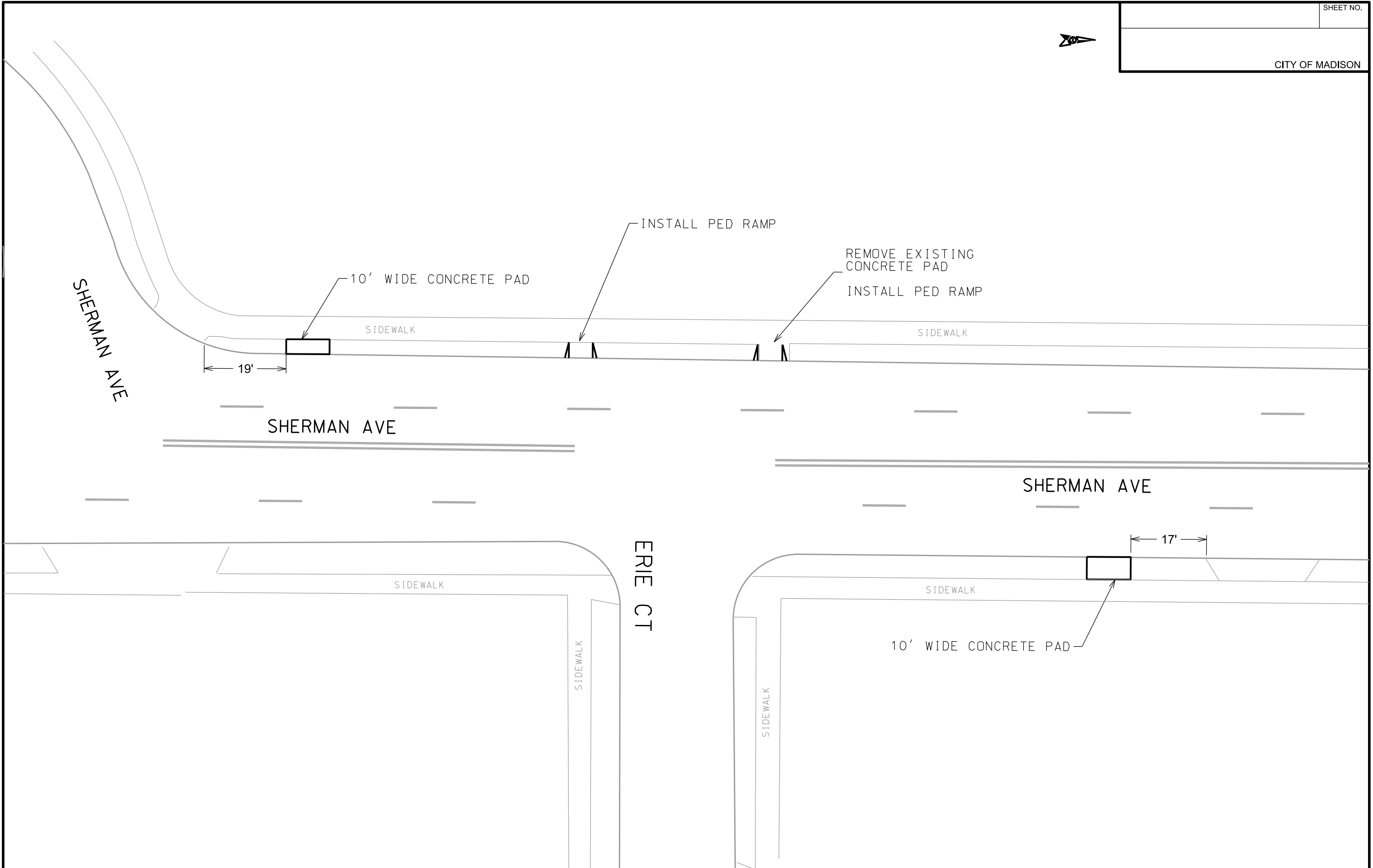


PLOT SCALE:

PLOT NAME:

REV. DATE:

ORIGINATOR: CITY OF MADISON, TRAFFIC ENG. DIV.





SHERMAN AVE

SIDEWALK

SIDEWALK

ABERG AVE

10' WIDE CONCRETE PAD

10' WIDE CONCRETE PAD

27'

37'

PLOT SCALE:

PLOT NAME:

REV. DATE:

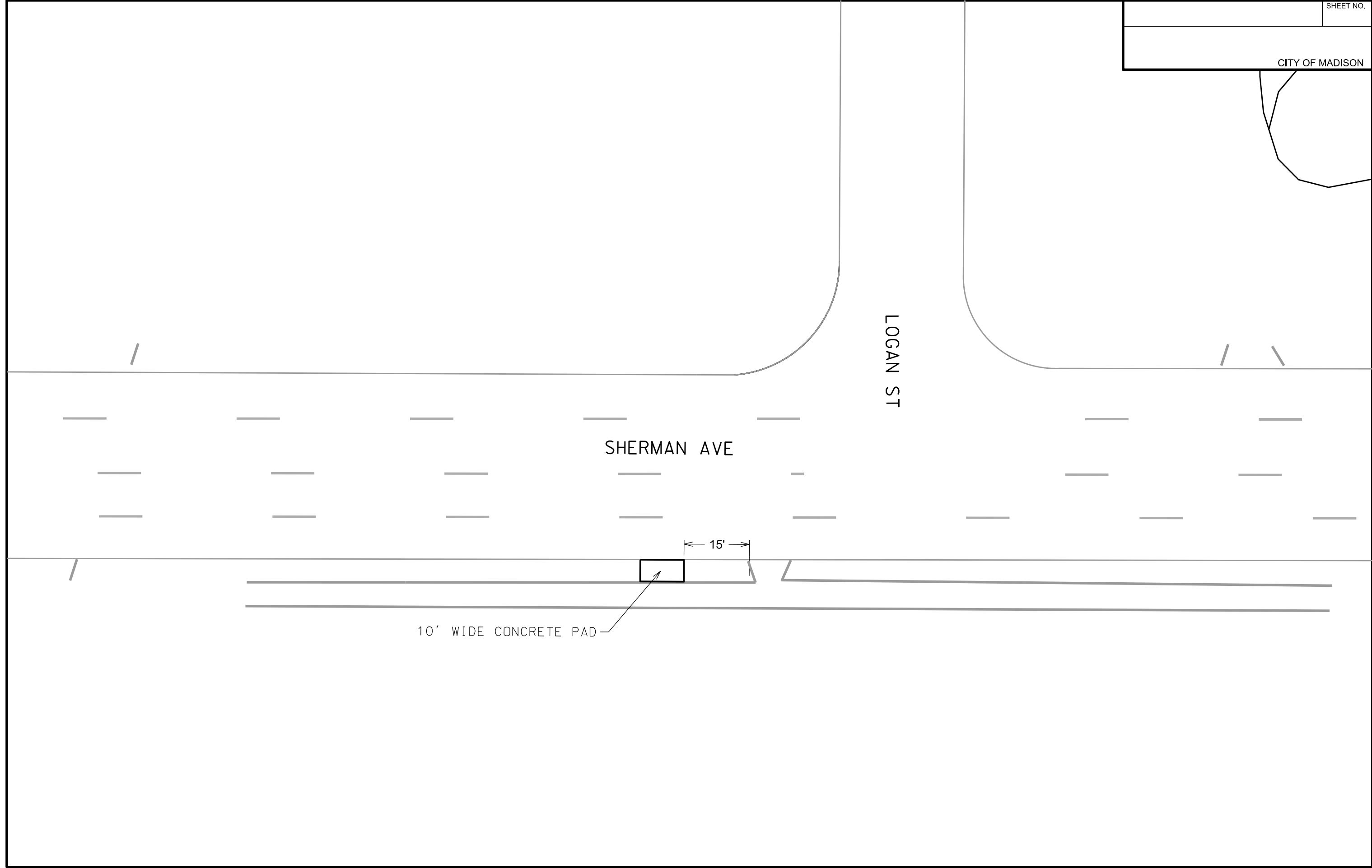
ORIGINATOR: CITY OF MADISON, TRAFFIC ENG. DIV.

PLOT SCALE:

PLOT NAME:

REV. DATE:

ORIGINATOR: CITY OF MADISON, TRAFFIC ENG. DIV.



SHERMAN AVE

LOGAN ST

15'

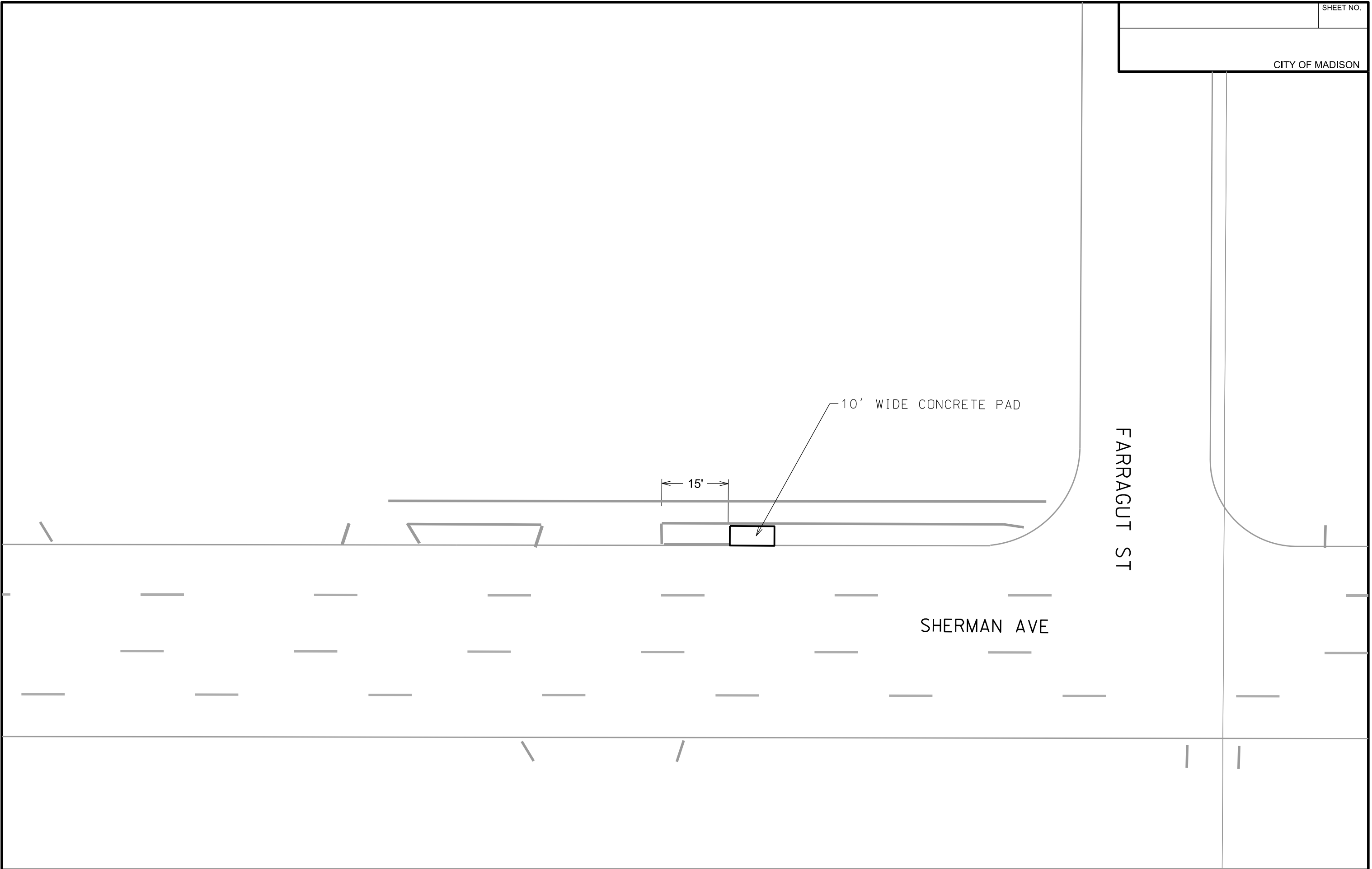
10' WIDE CONCRETE PAD

PLOT SCALE:

PLOT NAME:

REV. DATE:

ORIGINATOR: CITY OF MADISON, TRAFFIC ENG. DIV.





MACPHERSON ST

SHERMAN AVE

SCHLINGEN AVE

SIDEWALK

SIDEWALK

10' WIDE CONCRETE PAD

18'

PLOT SCALE:

PLOT NAME:

REV. DATE:

ORIGINATOR: CITY OF MADISON, TRAFFIC ENG. DIV.



PLOT SCALE:

PLOT NAME:

REV. DATE:

ORIGINATOR: CITY OF MADISON, TRAFFIC ENG. DIV.

SIDEWALK

6'

10' WIDE CONCRETE PAD

SHERMAN AVE

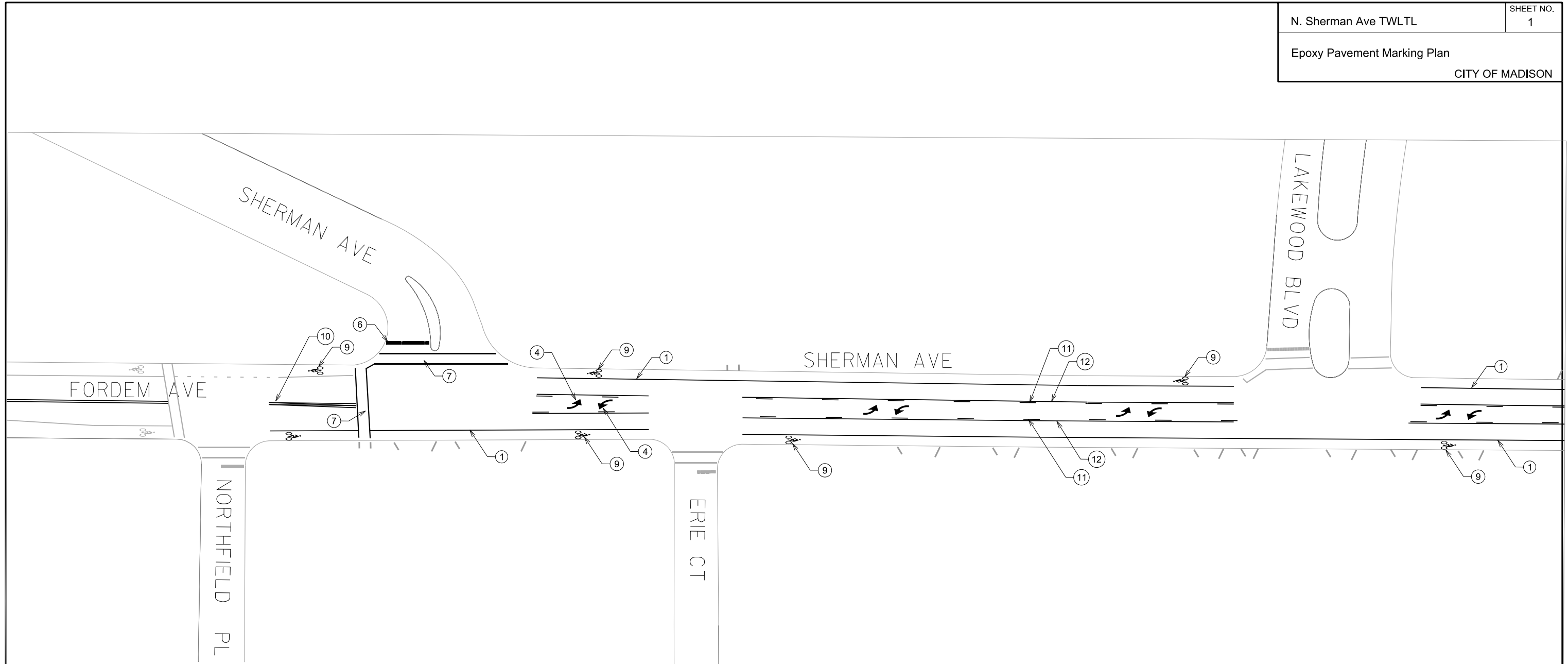
MELROSE ST

PLOT SCALE:

PLOT NAME:

REV. DATE:

ORIGINATOR: CITY OF MADISON, TRAFFIC ENG. DIV.



Callout	Bid Item	Description
1	60800	Pavement Marking Epoxy, 4-Inch, Solid White
2	60814	Pavement Marking Epoxy, 12-Inch White Crosswalk
3	60803	Pavement Marking Epoxy, 8-Inch Solid White
4	60829	Pavement Marking Epoxy, Symbol, Left Arrow
5	60835	Pavement Marking Epoxy, Symbol, Railroad Crossing
6	60818	Pavement Marking Epoxy, 24-Inch White, Stop Line
7	60812	Pavement Marking Epoxy, 6-Inch White, Crosswalk
8	60816	Pavement Marking Epoxy, 18-Inch White, Continental Crosswalk
9	60823	Pavement Marking Epoxy, Symbol, Bike Lane
10	60801	Pavement Marking Epoxy, 4-Inch Double Yellow
11	60800	Pavement Marking Epoxy, 4-Inch Yellow Skips (10' Line, 30' Gap)
12	60800	Pavement Marking Epoxy, 4-Inch Solid Yellow
13	60880	Pavement Marking Removal, 6-Inch

Notes:

-Lane widths remain constant throughout entire project
 6' Bike Lanes (face of curb to center of marking), 10' Travel Lanes, 12' Center Turn Lane

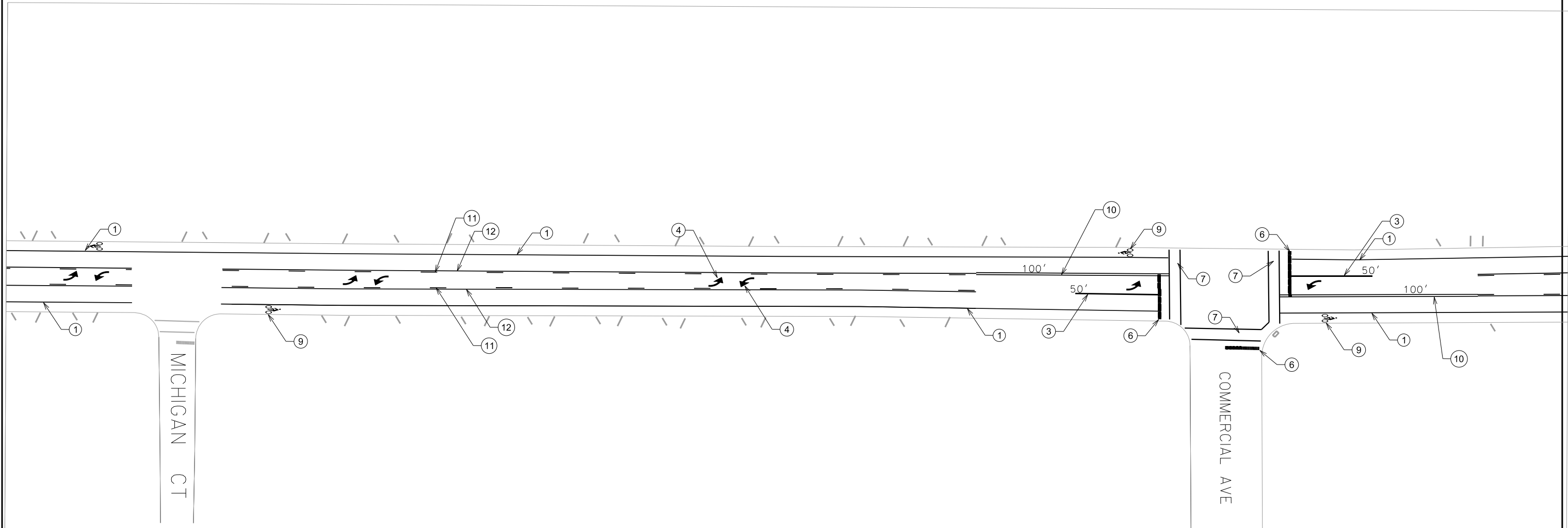
- Bike symbols always face away from curb
- Crosswalks are 6" lines and 6' wide
- Stop bars are 4' from crosswalks
- Continental Crosswalks are 12' wide, 1.5' thick bars, spaced 2' apart

PLOT SCALE:

PLOT NAME:

REV. DATE:

ORIGINATOR: CITY OF MADISON, TRAFFIC ENG. DIV.



Callout	Bid Item	Description
1	60800	Pavement Marking Epoxy, 4-Inch, Solid White
2	60814	Pavement Marking Epoxy, 12-Inch White Crosswalk
3	60803	Pavement Marking Epoxy, 8-Inch Solid White
4	60829	Pavement Marking Epoxy, Symbol, Left Arrow
5	60835	Pavement Marking Epoxy, Symbol, Railroad Crossing
6	60818	Pavement Marking Epoxy, 24-Inch White, Stop Line
7	60812	Pavement Marking Epoxy, 6-Inch White, Crosswalk
8	60816	Pavement Marking Epoxy, 18-Inch White, Continental Crosswalk
9	60823	Pavement Marking Epoxy, Symbol, Bike Lane
10	60801	Pavement Marking Epoxy, 4-Inch Double Yellow
11	60800	Pavement Marking Epoxy, 4-Inch Yellow Skips (10' Line, 30' Gap)
12	60800	Pavement Marking Epoxy, 4-Inch Solid Yellow
12	60880	Pavement Marking Removal, 6-Inch

Notes:

-Lane widths remain constant throughout entire project
 6' Bike Lanes (face of curb to center of marking), 10' Travel Lanes, 12' Center Turn Lane

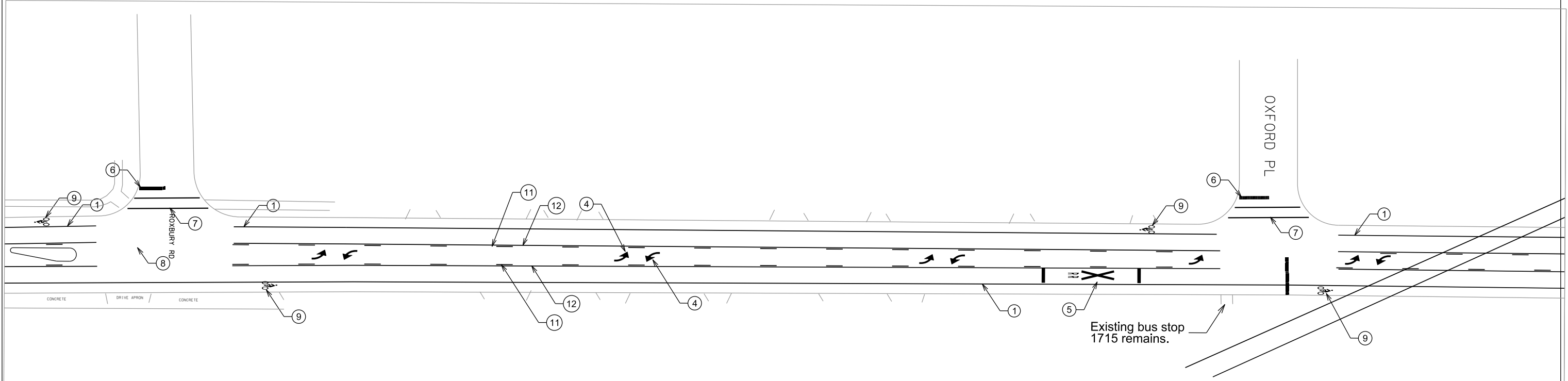
-Bike symbols always face away from curb
 -Crosswalks are 6" lines and 6' wide
 -Stop bars are 4' from crosswalks
 -Continental Crosswalks are 12' wide, 1.5' thick bars, spaced 2' apart

PLOT SCALE:

PLOT NAME:

REV. DATE:

ORIGINATOR: CITY OF MADISON, TRAFFIC ENG. DIV.



Callout	Bid Item	Description
1	60800	Pavement Marking Epoxy, 4-Inch, Solid White
2	60814	Pavement Marking Epoxy, 12-Inch White Crosswalk
3	60803	Pavement Marking Epoxy, 8-Inch Solid White
4	60829	Pavement Marking Epoxy, Symbol, Left Arrow
5	60835	Pavement Marking Epoxy, Symbol, Railroad Crossing
6	60818	Pavement Marking Epoxy, 24-Inch White, Stop Line
7	60812	Pavement Marking Epoxy, 6-Inch White, Crosswalk
8	60816	Pavement Marking Epoxy, 18-Inch White, Continental Crosswalk
9	60823	Pavement Marking Epoxy, Symbol, Bike Lane
10	60801	Pavement Marking Epoxy, 4-Inch Double Yellow
11	60800	Pavement Marking Epoxy, 4-Inch Yellow Skips (10' Line, 30' Gap)
12	60800	Pavement Marking Epoxy, 4-Inch Solid Yellow
12	60880	Pavement Marking Removal, 6-Inch

Notes:

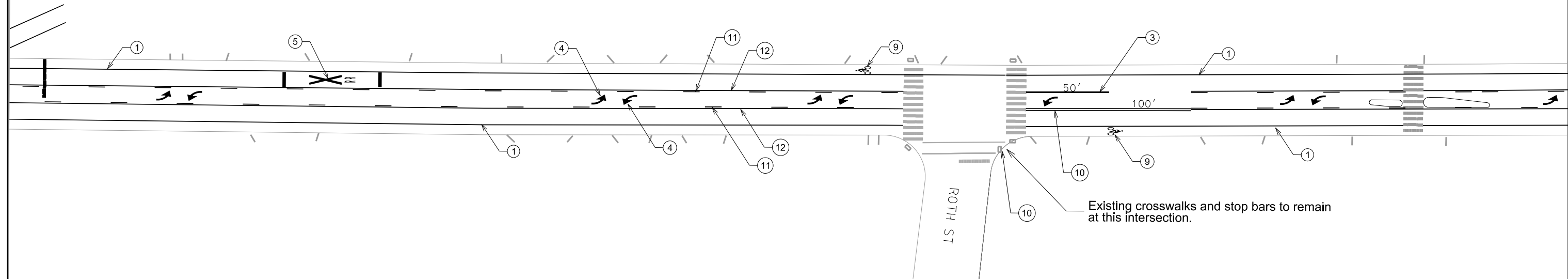
- Lane widths remain constant throughout entire project
- Crosswalks are 6" lines and 6' wide
- Stop bars are 4' from crosswalks
- Continental Crosswalks are 12' wide, 1.5' thick bars, spaced 2' apart
- Bike symbols always face away from curb
- 6' Bike Lanes (face of curb to center of marking), 10' Travel Lanes, 12' Center Turn Lane

PLOT SCALE:

PLOT NAME:

REV. DATE:

ORIGINATOR: CITY OF MADISON, TRAFFIC ENG. DIV.



Callout	Bid Item	Description
1	60800	Pavement Marking Epoxy, 4-Inch, Solid White
2	60814	Pavement Marking Epoxy, 12-Inch White Crosswalk
3	60803	Pavement Marking Epoxy, 8-Inch Solid White
4	60829	Pavement Marking Epoxy, Symbol, Left Arrow
5	60835	Pavement Marking Epoxy, Symbol, Railroad Crossing
6	60818	Pavement Marking Epoxy, 24-Inch White, Stop Line
7	60812	Pavement Marking Epoxy, 6-Inch White, Crosswalk
8	60816	Pavement Marking Epoxy, 18-Inch White, Continental Crosswalk
9	60823	Pavement Marking Epoxy, Symbol, Bike Lane
10	60801	Pavement Marking Epoxy, 4-Inch Double Yellow
11	60800	Pavement Marking Epoxy, 4-Inch Yellow Skips (10' Line, 30' Gap)
12	60800	Pavement Marking Epoxy, 4-Inch Solid Yellow
12	60880	Pavement Marking Removal, 6-Inch

Notes:

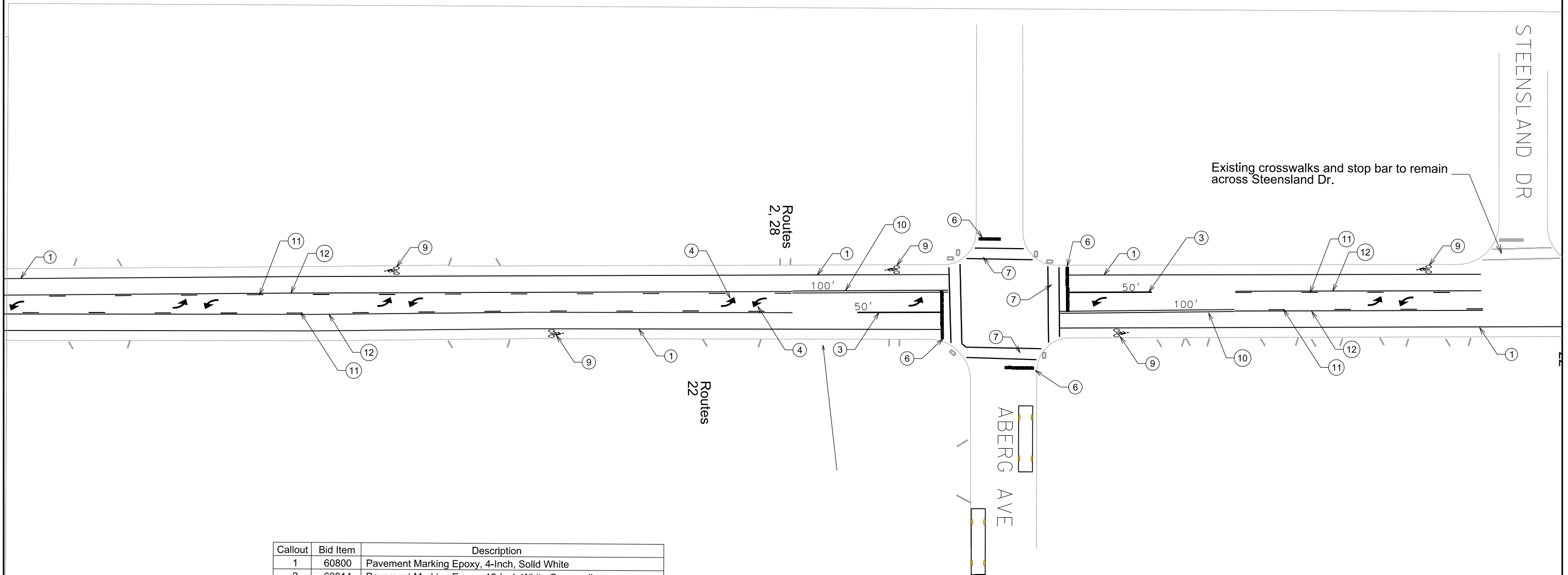
- Lane widths remain constant throughout entire project
- 6' Bike Lanes (face of curb to center of marking), 10' Travel Lanes, 12' Center Turn Lane
- Bike symbols always face away from curb
- Crosswalks are 6" lines and 6' wide
- Stop bars are 4' from crosswalks
- Continental Crosswalks are 12' wide, 1.5' thick bars, spaced 2' apart

PLOT SCALE:

PLOT NAME:

REV. DATE:

ORIGINATOR: CITY OF MADISON, TRAFFIC ENG. DIV.



Existing crosswalks and stop bar to remain across Steensland Dr.

Callout	Bid Item	Description
1	60800	Pavement Marking Epoxy, 4-Inch, Solid White
2	60814	Pavement Marking Epoxy, 12-Inch White Crosswalk
3	60803	Pavement Marking Epoxy, 8-Inch Solid White
4	60829	Pavement Marking Epoxy, Symbol, Left Arrow
5	60835	Pavement Marking Epoxy, Symbol, Railroad Crossing
6	60818	Pavement Marking Epoxy, 24-Inch White, Stop Line
7	60812	Pavement Marking Epoxy, 6-Inch White, Crosswalk
8	60816	Pavement Marking Epoxy, 18-Inch White, Continental Crosswalk
9	60823	Pavement Marking Epoxy, Symbol, Bike Lane
10	60801	Pavement Marking Epoxy, 4-Inch Double Yellow
11	60800	Pavement Marking Epoxy, 4-Inch Yellow Skips (10' Line, 30' Gap)
12	60800	Pavement Marking Epoxy, 4-Inch Solid Yellow
12	60880	Pavement Marking Removal, 6-Inch

Notes:

- Lane widths remain constant throughout entire project
- 6' Bike Lanes (face of curb to center of marking), 10' Travel Lanes, 12' Center Turn Lane

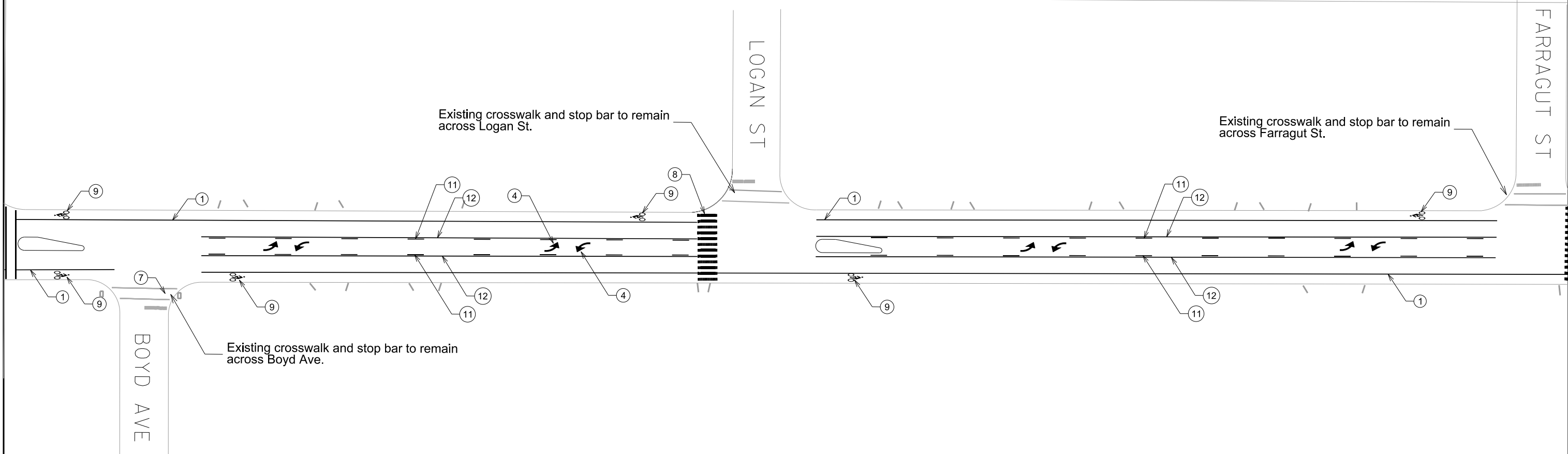
- Bike symbols always face away from curb
- Crosswalks are 6" lines and 6' wide
- Stop bars are 4' from crosswalks
- Continental Crosswalks are 12' wide, 1.5' thick bars, spaced 2' apart

PLOT SCALE:

PLOT NAME:

REV. DATE:

ORIGINATOR: CITY OF MADISON, TRAFFIC ENG. DIV.



Callout	Bid Item	Description
1	60800	Pavement Marking Epoxy, 4-Inch, Solid White
2	60814	Pavement Marking Epoxy, 12-Inch White Crosswalk
3	60803	Pavement Marking Epoxy, 8-Inch Solid White
4	60829	Pavement Marking Epoxy, Symbol, Left Arrow
5	60835	Pavement Marking Epoxy, Symbol, Railroad Crossing
6	60818	Pavement Marking Epoxy, 24-Inch White, Stop Line
7	60812	Pavement Marking Epoxy, 6-Inch White, Crosswalk
8	60816	Pavement Marking Epoxy, 18-Inch White, Continental Crosswalk
9	60823	Pavement Marking Epoxy, Symbol, Bike Lane
10	60801	Pavement Marking Epoxy, 4-Inch Double Yellow
11	60800	Pavement Marking Epoxy, 4-Inch Yellow Skips (10' Line, 30' Gap)
12	60800	Pavement Marking Epoxy, 4-Inch Solid Yellow
12	60880	Pavement Marking Removal, 6-Inch

Notes:

-Lane widths remain constant throughout entire project
6' Bike Lanes (face of curb to center of marking), 10' Travel Lanes, 12' Center Turn Lane

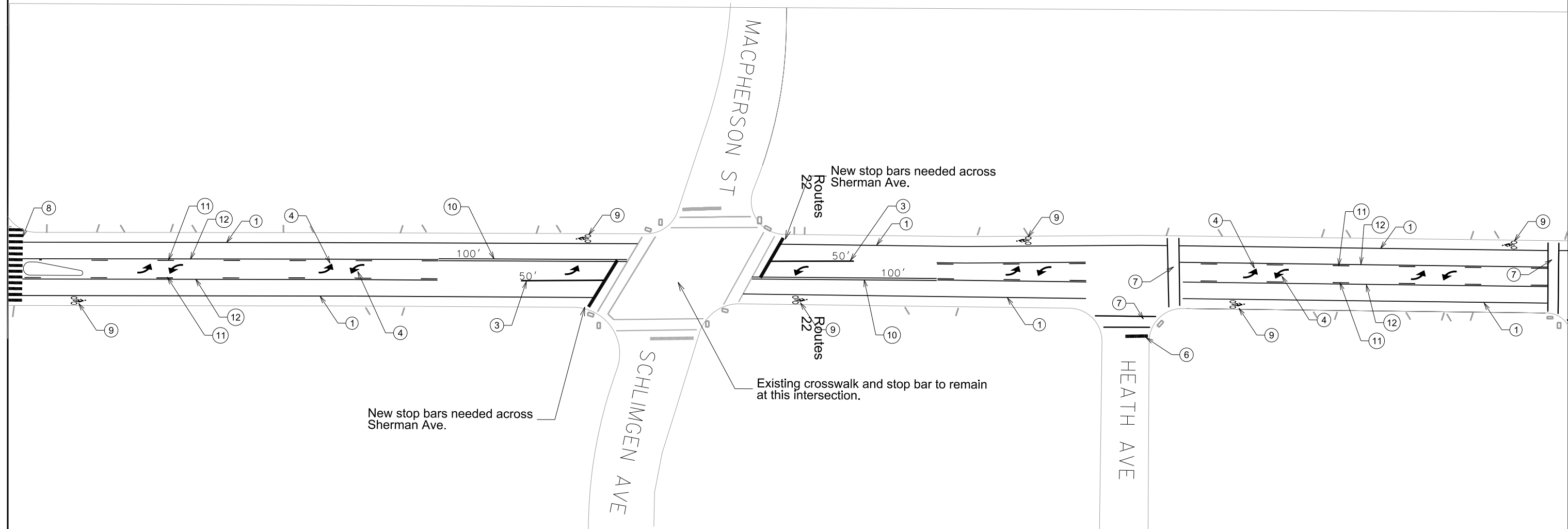
- Bike symbols always face away from curb
- Crosswalks are 6" lines and 6' wide
- Stop bars are 4' from crosswalks
- Continental Crosswalks are 12' wide, 1.5' thick bars, spaced 2' apart

PLOT SCALE:

PLOT NAME:

REV. DATE:

ORIGINATOR: CITY OF MADISON, TRAFFIC ENG. DIV.



Callout	Bid Item	Description
1	60800	Pavement Marking Epoxy, 4-Inch, Solid White
2	60814	Pavement Marking Epoxy, 12-Inch White Crosswalk
3	60803	Pavement Marking Epoxy, 8-Inch Solid White
4	60829	Pavement Marking Epoxy, Symbol, Left Arrow
5	60835	Pavement Marking Epoxy, Symbol, Railroad Crossing
6	60818	Pavement Marking Epoxy, 24-Inch White, Stop Line
7	60812	Pavement Marking Epoxy, 6-Inch White, Crosswalk
8	60816	Pavement Marking Epoxy, 18-Inch White, Continental Crosswalk
9	60823	Pavement Marking Epoxy, Symbol, Bike Lane
10	60801	Pavement Marking Epoxy, 4-Inch Double Yellow
11	60800	Pavement Marking Epoxy, 4-Inch Yellow Skips (10' Line, 30' Gap)
12	60800	Pavement Marking Epoxy, 4-Inch Solid Yellow
12	60880	Pavement Marking Removal, 6-Inch

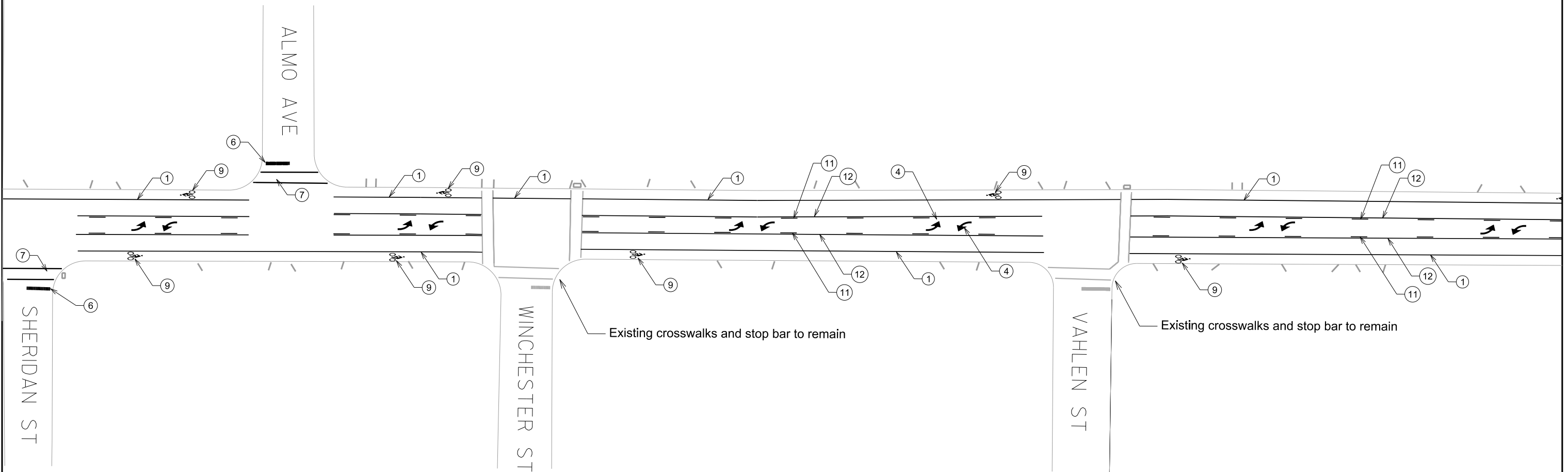
- Notes:
- Lane widths remain constant throughout entire project
 - 6' Bike Lanes (face of curb to center of marking), 10' Travel Lanes, 12' Center Turn Lane
 - Bike symbols always face away from curb
 - Crosswalks are 6" lines and 6' wide
 - Stop bars are 4' from crosswalks
 - Continental Crosswalks are 12' wide, 1.5' thick bars, spaced 2' apart

PLOT SCALE:

PLOT NAME:

REV. DATE:

ORIGINATOR: CITY OF MADISON, TRAFFIC ENG. DIV.



Callout	Bid Item	Description
1	60800	Pavement Marking Epoxy, 4-Inch, Solid White
2	60814	Pavement Marking Epoxy, 12-Inch White Crosswalk
3	60803	Pavement Marking Epoxy, 8-Inch Solid White
4	60829	Pavement Marking Epoxy, Symbol, Left Arrow
5	60835	Pavement Marking Epoxy, Symbol, Railroad Crossing
6	60818	Pavement Marking Epoxy, 24-Inch White, Stop Line
7	60812	Pavement Marking Epoxy, 6-Inch White, Crosswalk
8	60816	Pavement Marking Epoxy, 18-Inch White, Continental Crosswalk
9	60823	Pavement Marking Epoxy, Symbol, Bike Lane
10	60801	Pavement Marking Epoxy, 4-Inch Double Yellow
11	60800	Pavement Marking Epoxy, 4-Inch Yellow Skips (10' Line, 30' Gap)
12	60800	Pavement Marking Epoxy, 4-Inch Solid Yellow
12	60880	Pavement Marking Removal, 6-Inch

Notes:

-Lane widths remain constant throughout entire project
 6' Bike Lanes (face of curb to center of marking), 10' Travel Lanes, 12' Center Turn Lane

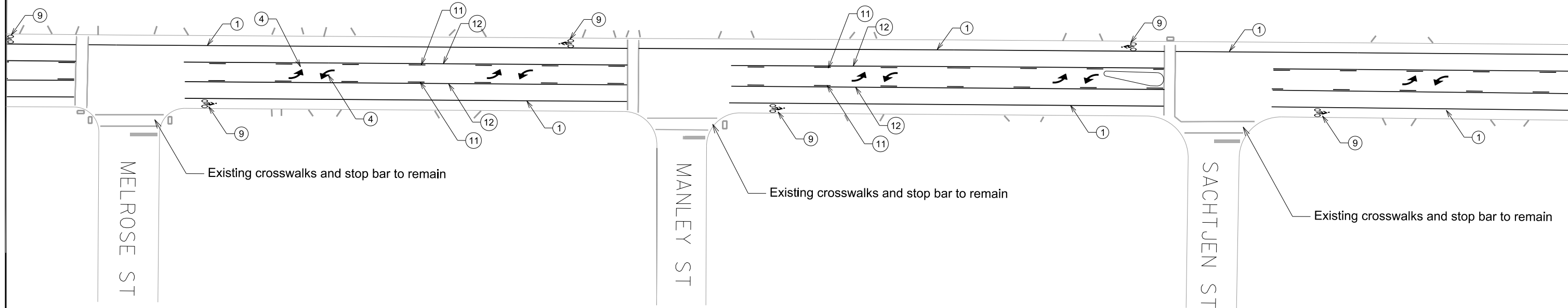
- Bike symbols always face away from curb
- Crosswalks are 6" lines and 6' wide
- Stop bars are 4' from crosswalks
- Continental Crosswalks are 12' wide, 1.5' thick bars, spaced 2' apart

PLOT SCALE:

PLOT NAME:

REV. DATE:

ORIGINATOR: CITY OF MADISON, TRAFFIC ENG. DIV.



Callout	Bid Item	Description
1	60800	Pavement Marking Epoxy, 4-Inch, Solid White
2	60814	Pavement Marking Epoxy, 12-Inch White Crosswalk
3	60803	Pavement Marking Epoxy, 8-Inch Solid White
4	60829	Pavement Marking Epoxy, Symbol, Left Arrow
5	60835	Pavement Marking Epoxy, Symbol, Railroad Crossing
6	60818	Pavement Marking Epoxy, 24-Inch White, Stop Line
7	60812	Pavement Marking Epoxy, 6-Inch White, Crosswalk
8	60816	Pavement Marking Epoxy, 18-Inch White, Continental Crosswalk
9	60823	Pavement Marking Epoxy, Symbol, Bike Lane
10	60801	Pavement Marking Epoxy, 4-Inch Double Yellow
11	60800	Pavement Marking Epoxy, 4-Inch Yellow Skips (10' Line, 30' Gap)
12	60800	Pavement Marking Epoxy, 4-Inch Solid Yellow
12	60880	Pavement Marking Removal, 6-Inch

Notes:

- Lane widths remain constant throughout entire project
- 6' Bike Lanes (face of curb to center of marking), 10' Travel Lanes, 12' Center Turn Lane

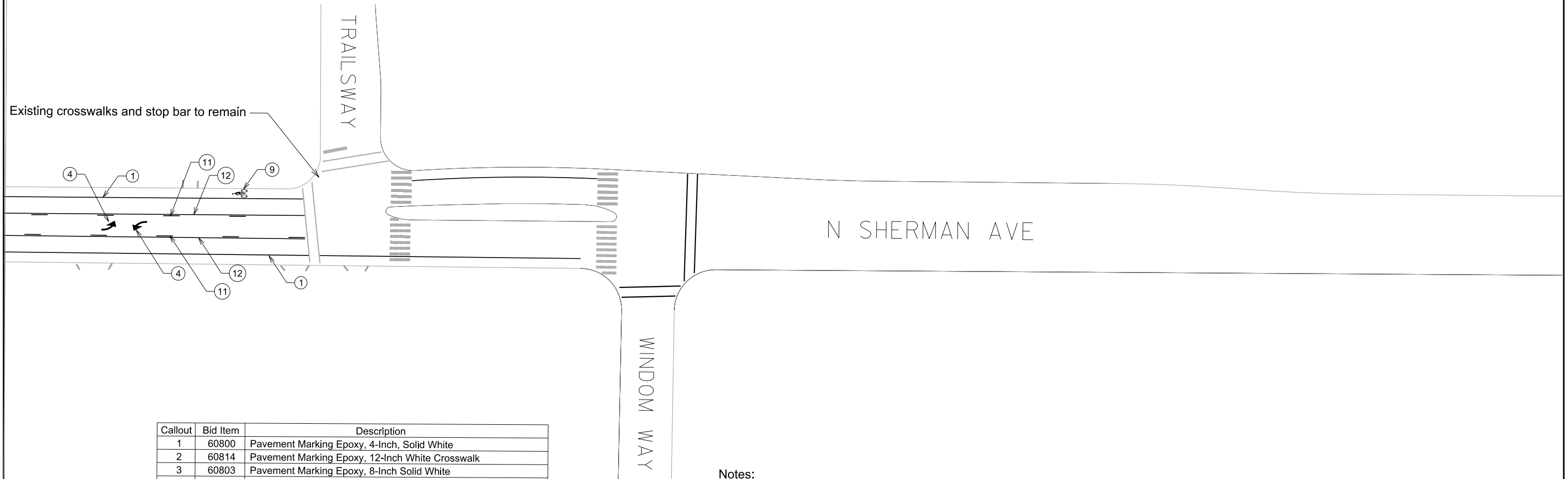
- Bike symbols always face away from curb
- Crosswalks are 6" lines and 6' wide
- Stop bars are 4' from crosswalks
- Continental Crosswalks are 12' wide, 1.5' thick bars, spaced 2' apart

PLOT SCALE:

PLOT NAME:

REV. DATE:

ORIGINATOR: CITY OF MADISON, TRAFFIC ENG. DIV.



Callout	Bid Item	Description
1	60800	Pavement Marking Epoxy, 4-Inch, Solid White
2	60814	Pavement Marking Epoxy, 12-Inch White Crosswalk
3	60803	Pavement Marking Epoxy, 8-Inch Solid White
4	60829	Pavement Marking Epoxy, Symbol, Left Arrow
5	60835	Pavement Marking Epoxy, Symbol, Railroad Crossing
6	60818	Pavement Marking Epoxy, 24-Inch White, Stop Line
7	60812	Pavement Marking Epoxy, 6-Inch White, Crosswalk
8	60816	Pavement Marking Epoxy, 18-Inch White, Continental Crosswalk
9	60823	Pavement Marking Epoxy, Symbol, Bike Lane
10	60801	Pavement Marking Epoxy, 4-Inch Double Yellow
11	60800	Pavement Marking Epoxy, 4-Inch Yellow Skips (10' Line, 30' Gap)
12	60800	Pavement Marking Epoxy, 4-Inch Solid Yellow
12	60880	Pavement Marking Removal, 6-Inch

- Notes:
- Lane widths remain constant throughout entire project
 - 6' Bike Lanes (face of curb to center of marking), 10' Travel Lanes, 12' Center Turn Lane
 - Bike symbols always face away from curb
 - Crosswalks are 6" lines and 6' wide
 - Stop bars are 4' from crosswalks
 - Continental Crosswalks are 12' wide, 1.5' thick bars, spaced 2' apart