

BOWMAN BASEBALL BACKSTOP REPLACEMENT DUANE F. BOWMAN FIELD, MADISON, WI. CONTRACT NO. 7792

GENERAL NOTES

1. Maintain a minimum clear distance of 36" in front and in back of net to avoid damage. Repeated rubbing and pinching of the net against obstructions including but not limited to walls, light poles and fencing will cause tearing and net failure.
2. If the bottom of the net will be near the top of a chain link fence, care should be taken to protect the net from the top loops of the chain link fabric. Beacon Athletics recommends installing fence cap or slit drain tile along the top of the fence to cover the loops.
3. Provide Owner/end user with copy of drawings and type written instructions of cable and net installation for future net removal, storage and reinstallation.

ABBREVIATIONS

BOT	BOTTOM	GALV	GALVANIZED
CONC	CONCRETE	O.C.	ON CENTER
CL	CENTER LINE	SIM	SIMILAR
CLF	CHAIN LINK FENCE	SS	STAINLESS STEEL
CLR	CLEAR	T.O.F.	TOP OF FOOTING
DIA	DIAMETER	T.O.W.	TOP OF WALL
EA.	EACH	TYP	TYPICAL
EQ	EQUAL	ZP	ZINC PLATED
F.F.G.	FINISHED FIELD GRADE	PL	PLUM LINE

SHEET INDEX

SHOP DRAWINGS

N4988-SD-2	LAYOUT AND ELEVATION
N4988-SD-3	FIRST & THIRD BASE END POLE DETAILS AND POLE ELEVATION
N4988-SD-4	LINE & CORNER POLE DETAILS
N4988-SD-5	ENLARGED PLAN VIEW & FOOTING DETAILS

FABRICATION DRAWINGS

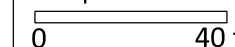
N4988-FD-P1	POLE FABRICATION
-------------	------------------

City of Madison
Department of Public Works
PARKS DIVISION

City-County Building, Suite 104
210 Martin Luther King, Jr. Blvd.
PO Box 2987
Madison, WI 53701-2987

play
**MADISON
PARKS**

Graphical Scale



PROJECT:

*Bowman Baseball
Backstop
Replacement*

*Duane F Bowman Park
1775 Fish Hatchery Road
MADISON, 53713*

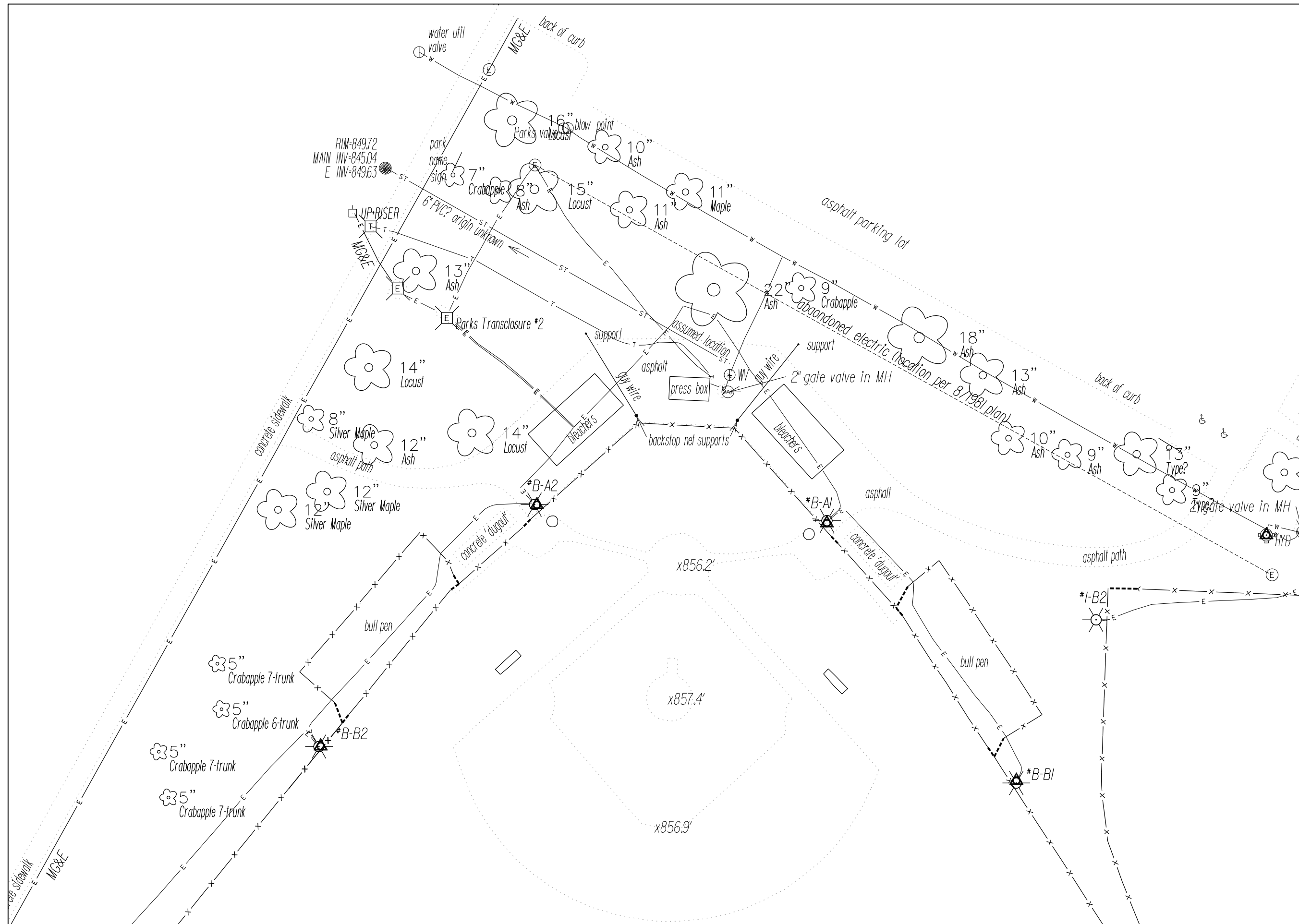
Although every effort has been made in preparing these plans and checking them for accuracy, the contractor and subcontractors must check all details and dimensions of their trade and be responsible for the same.

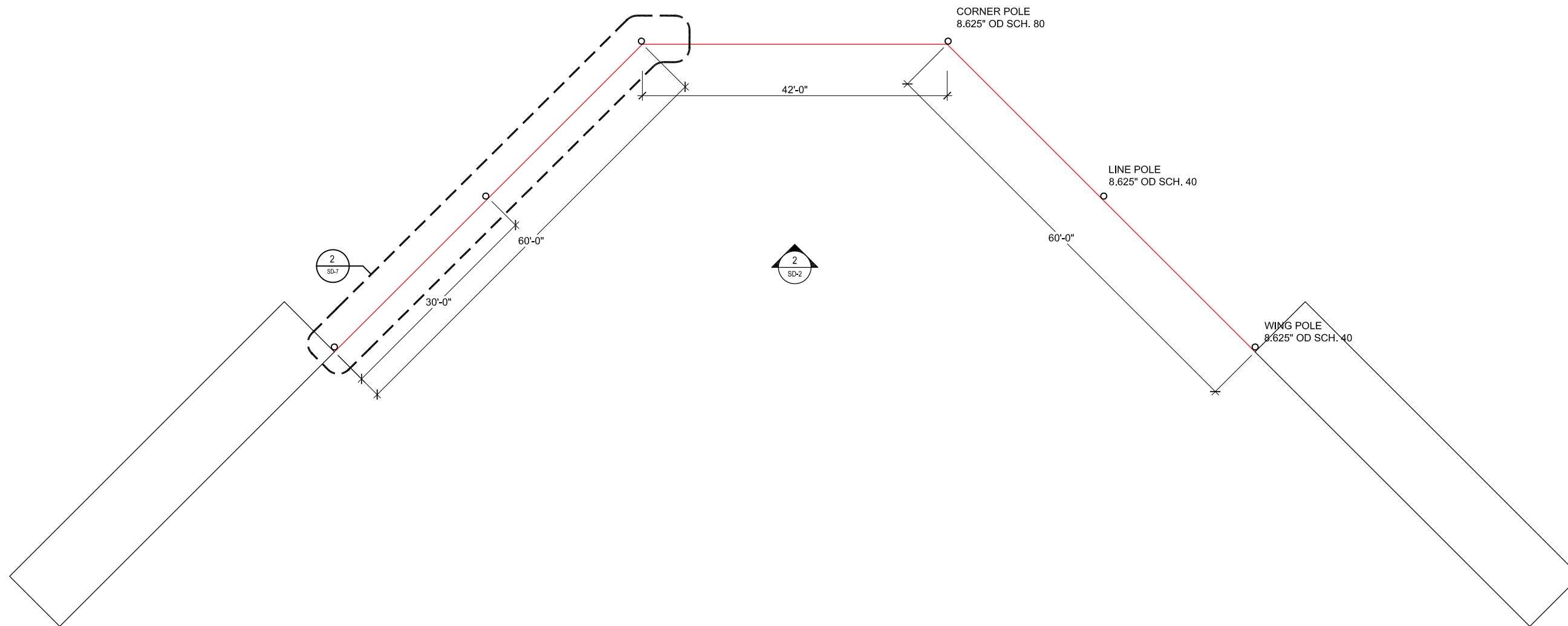
ITEM	DATE
Drawn by: MS	08-05-2016
Approved by:	xx-xx-xxxx

PUBLIC WORKS PROJECT #:
7792

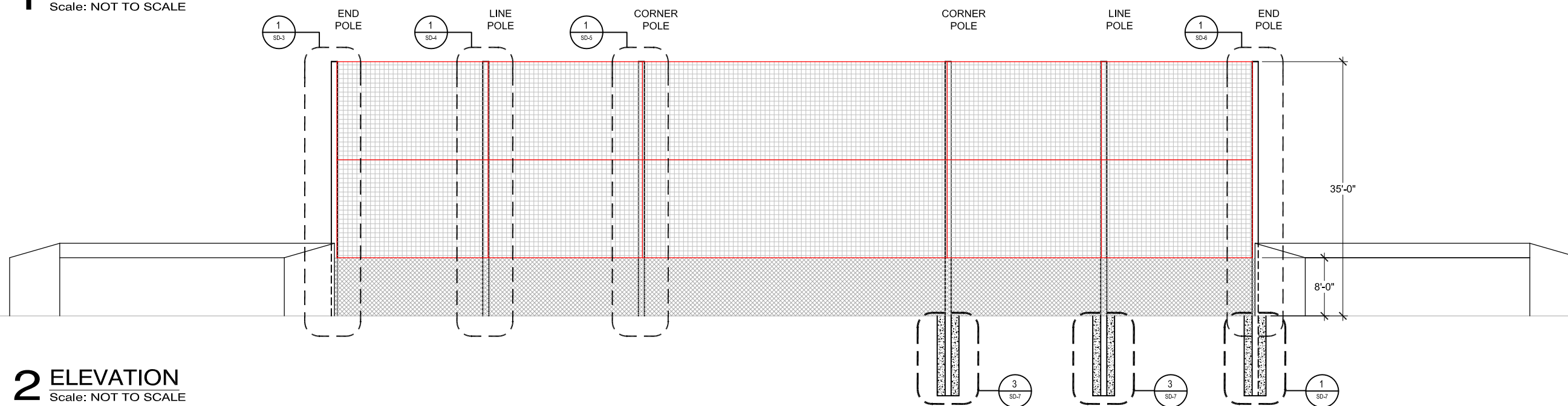
SHEET TITLE:
PROJECT LOCATION

SHEET NUMBER:
L-1





1 PLAN VIEW
 Scale: NOT TO SCALE



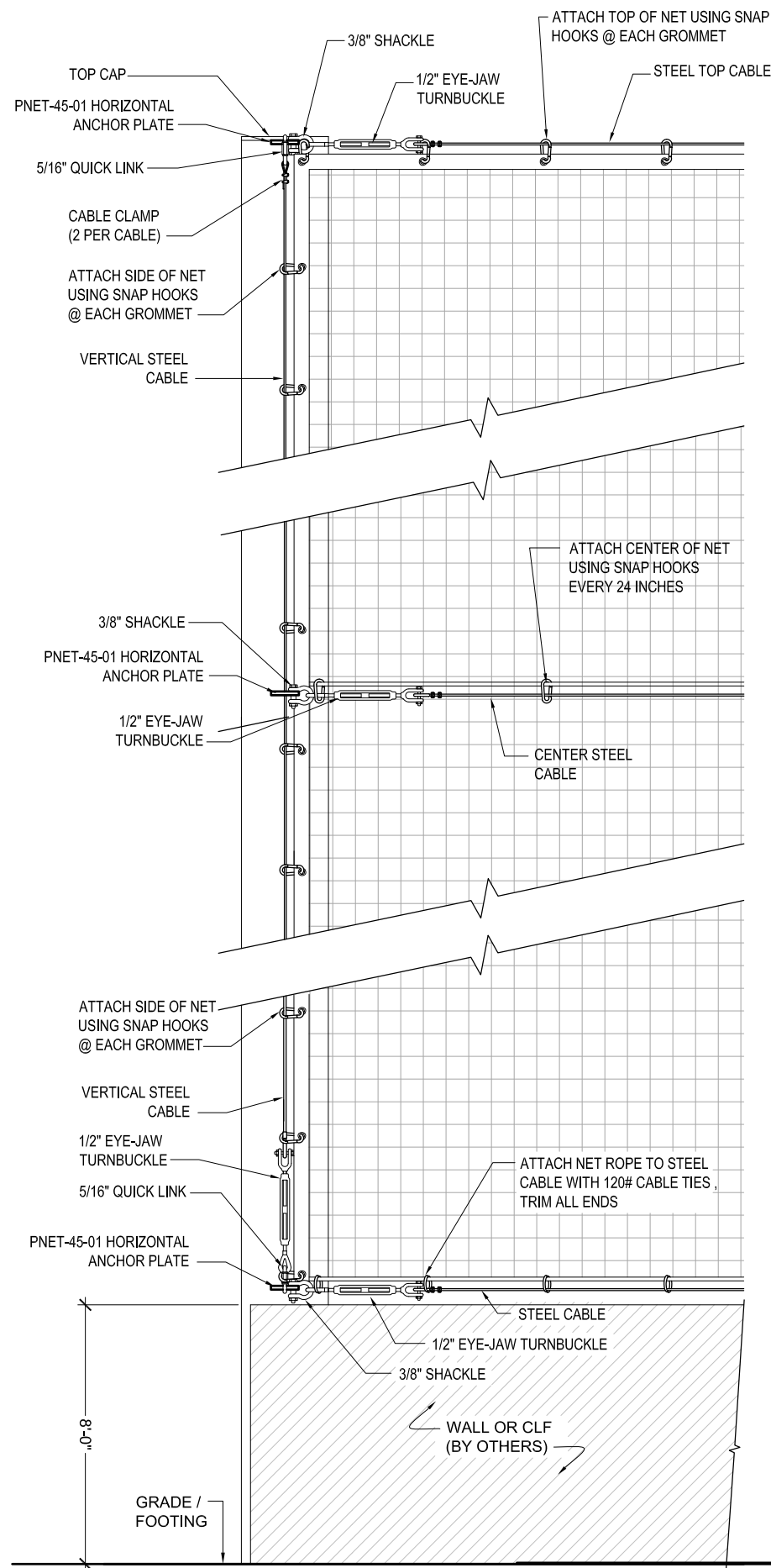
2 ELEVATION
 Scale: NOT TO SCALE

DRAWING TITLE:
BEACON INLINE BACKSTOP - PERMANENT MODEL# IL-P LAYOUT & ELEVATION

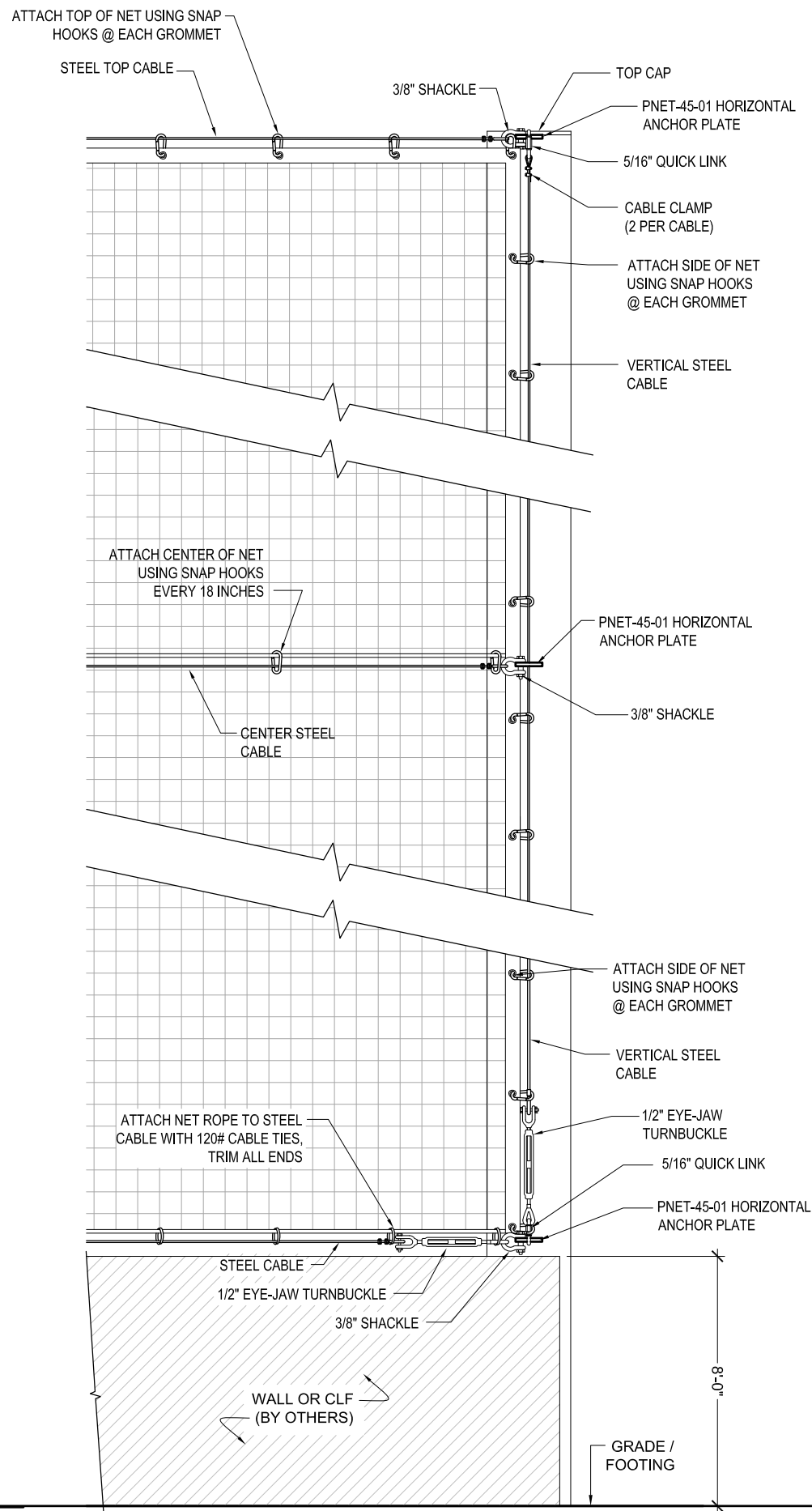
CUSTOMER NAME: CITY OF MADISON
 PROJECT NAME: BOWMAN FIELD BASEBALL BACKSTOP RENOVATION
 PROJECT LOCATION: MADISON, WI

REVISION #	DATE	BY

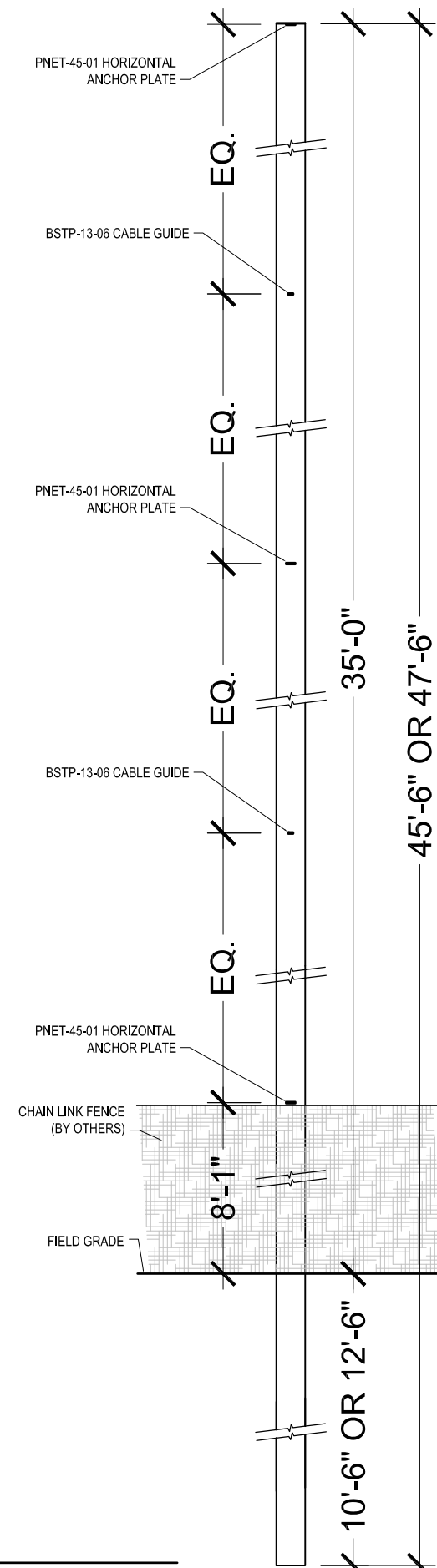
SCALE:	SEE DWG
DRAWN BY:	EH
DATE:	7/11/16
PROJECT NO:	J16E8
DRAWING NO:	N4988-SD-2



1 FIRST BASE END POLE DETAIL
Scale: NOT TO SCALE



2 THIRD BASE END POLE DETAIL
Scale: NOT TO SCALE



3 POLE ELEVATION
Scale: NOT TO SCALE



phone: 1-800-747-5985
www.BeaconAthletics.com

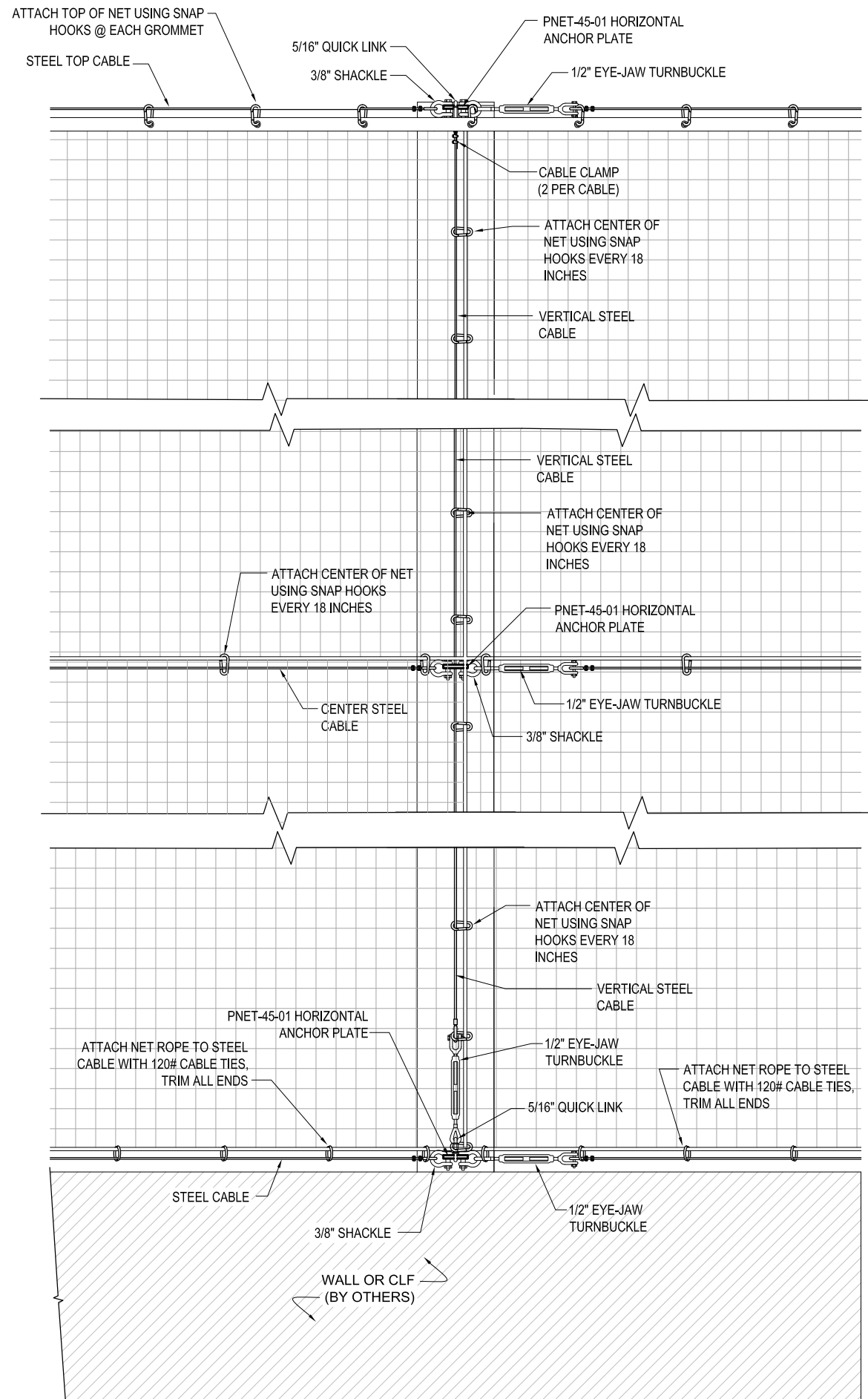
© Copyright 2014 Beacon Athletics,
Division of Rainbow Group, LLC.

DRAWING TITLE:
**BEACON INLINE BACKSTOP - PERMANENT MODEL# IL-P
FIRST & THIRD BASE END POLE DETAIL AND POLE ELEVATION**

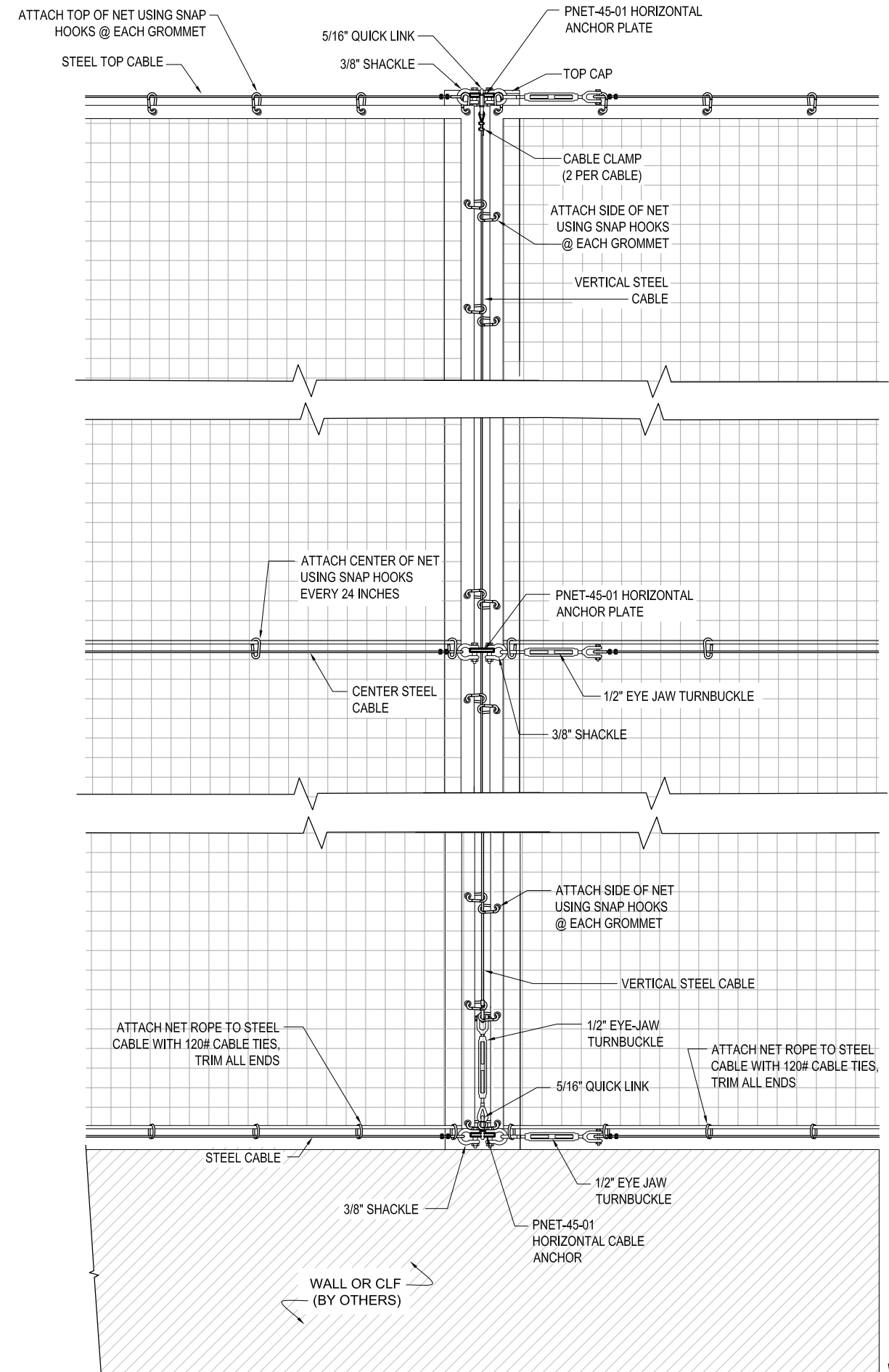
CUSTOMER NAME: CITY OF MADISON
PROJECT NAME: BOWMAN FIELD BASEBALL BACKSTOP RENOVATION
PROJECT LOCATION: MADISON, WI

REVISION #	DATE	BY

SCALE:	SEE DWG
DRAWN BY:	EH
DATE:	7/11/16
PROJECT NO:	J16E8
DRAWING NO:	N4988-SD-3



1 LINE POLE DETAIL
Scale: NOT TO SCALE



2 CORNER POLE DETAIL
Scale: NOT TO SCALE



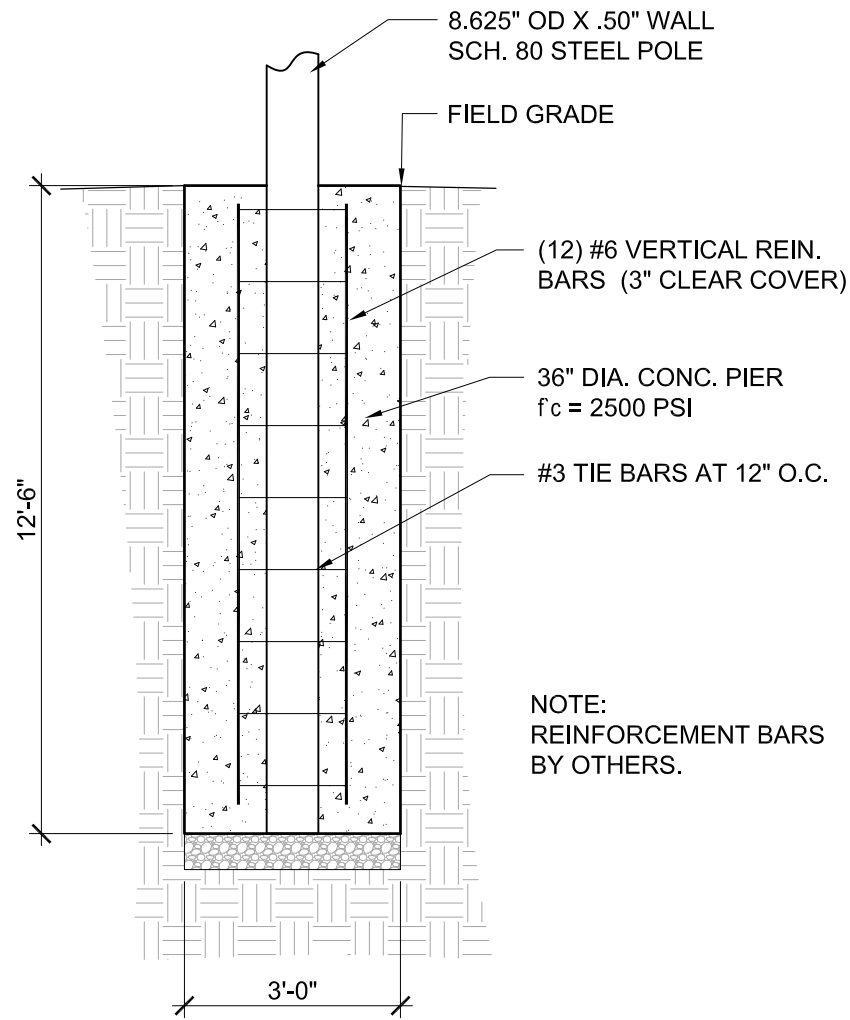
© Copyright 2014 Beacon Athletics, Division of Rainbow Group, LLC.

DRAWING TITLE: **BEACON INLINE BACKSTOP - PERMANENT MODEL# IL-P LINE & CORNER POLE DETAIL**

CUSTOMER NAME: CITY OF MADISON
PROJECT NAME: BOWMAN FIELD BASEBALL BACKSTOP RENOVATION
PROJECT LOCATION: MADISON, WI

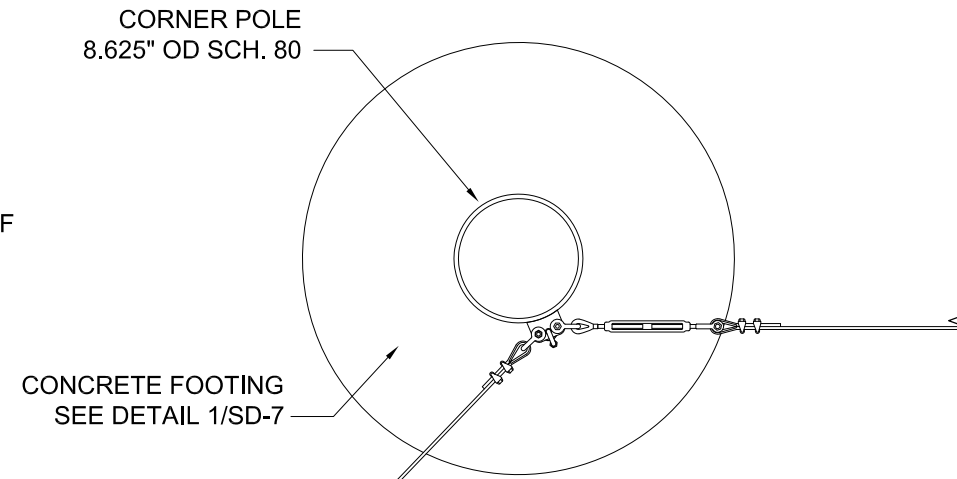
REVISION #	DATE	BY

SCALE:	SEE DWG
DRAWN BY:	EH
DATE:	7/11/16
PROJECT NO:	J16E8
DRAWING NO:	N4988-SD-4



NOTE:
POLE LOCATION RELATIVE TO WALL/CLF
CAN VARY AS REQUIRED BY WALL/CLF
DESIGN.

NOTE:
REINFORCEMENT BARS
BY OTHERS.



CONCRETE FOOTING
SEE DETAIL 1/SD-7

CLF (by others) TO BE IN LINE
WITH BOTTOM STEEL
SUPPORT CABLE

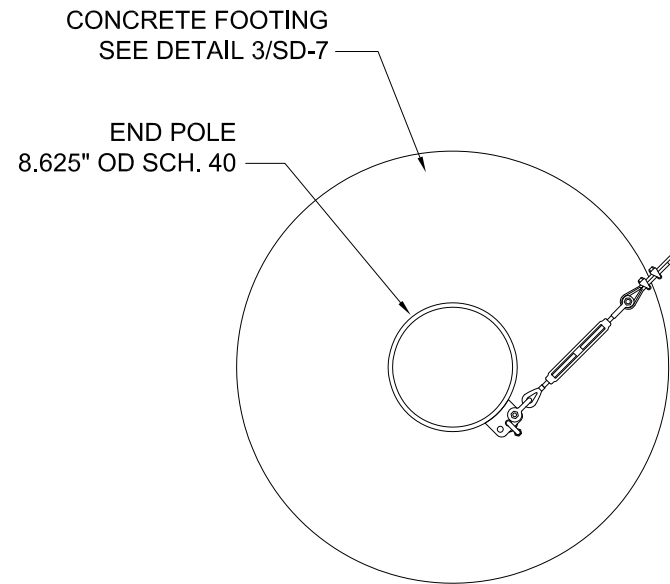
CONCRETE FOOTING
SEE DETAIL 3/SD-7

LINE POLE
8.625" OD SCH. 40

BOTTOM STEEL
SUPPORT CABLE

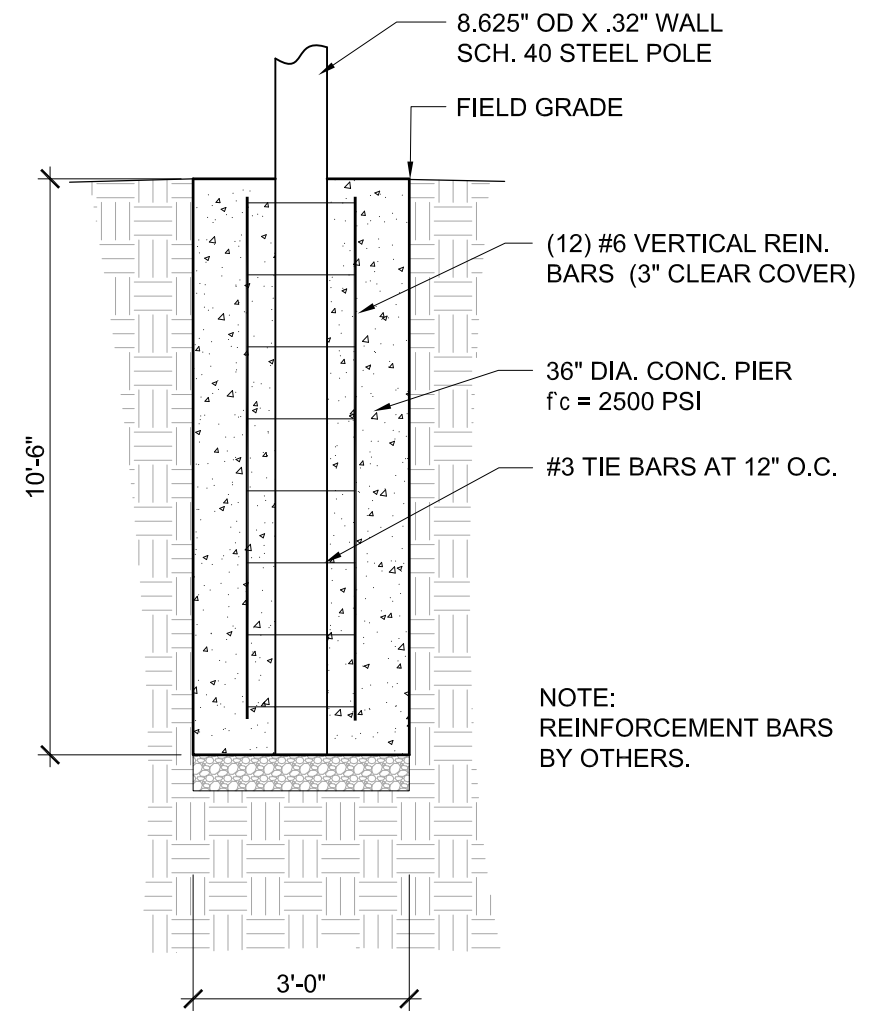
1 CORNER POLE FOOTING DETAIL

Scale: NOT TO SCALE



2 ENLARGED PLAN VIEW

Scale: NOT TO SCALE



NOTE:
REINFORCEMENT BARS
BY OTHERS.

3 LINE AND END POLE FOOTING DETAIL

Scale: NOT TO SCALE

REVISION #	DATE	BY

SCALE:	SEE DWG
DRAWN BY:	EH
DATE:	7/11/16
PROJECT NO:	J16E8
DRAWING NO:	