

SITE PLAN LEGEND

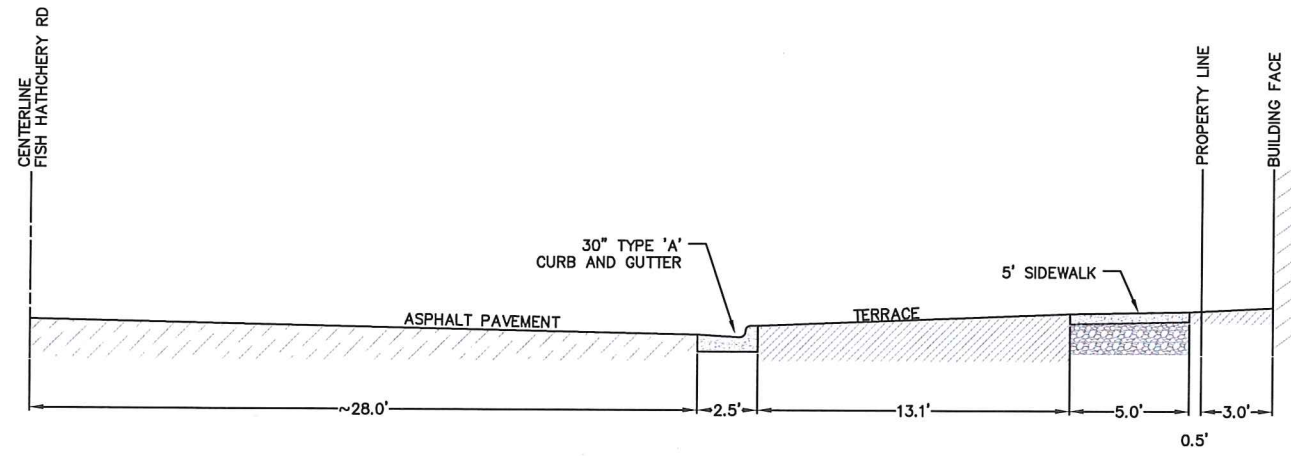
	PROPERTY BOUNDARY
	CURB AND GUTTER (REJECT CURB HATCHED)
	PROPOSED CONCRETE
	PROPOSED PERVIOUS CONCRETE
	PROPOSED ASPHALT
	PROPOSED PAVERS

vierbicher
 planners | engineers | advisors
 REDBURG - MADISON - PRAIRIE DU CHIEN
 999 Foxglove Lane, Madison, WI 53717
 Phone: (608) 824-0332 Fax: (608) 824-0330

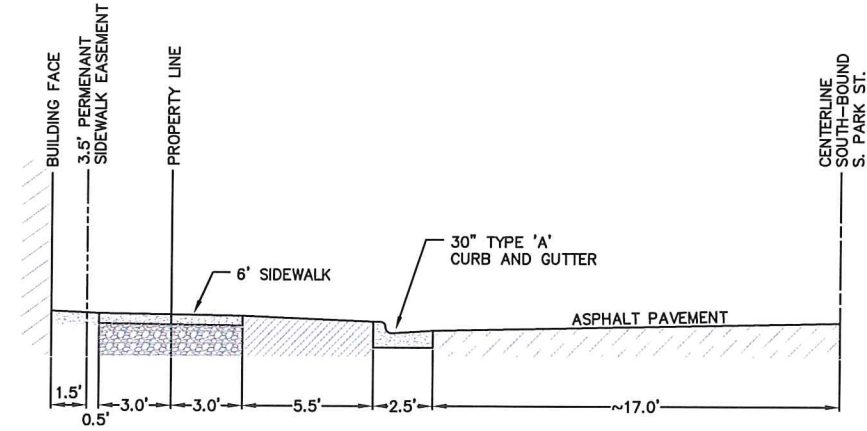
Proposed Cross-Section Exhibit
 Peloton Residences
 City of Madison
 Dane County, Wisconsin

REVISIONS	NO.	DATE	REMARKS

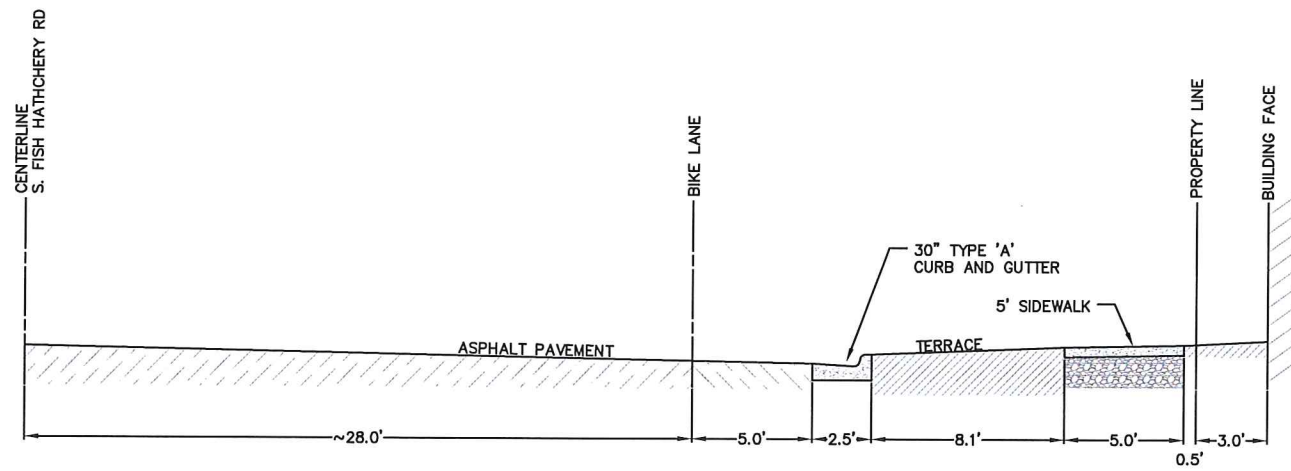
SCALE: AS SHOWN
 DATE: 08/24/2017
 DRAFTER: AMEA
 CHECKED: RKOL
 PROJECT NO.: 140245
 SHEET: 1 OF 2
 DWG. NO.:



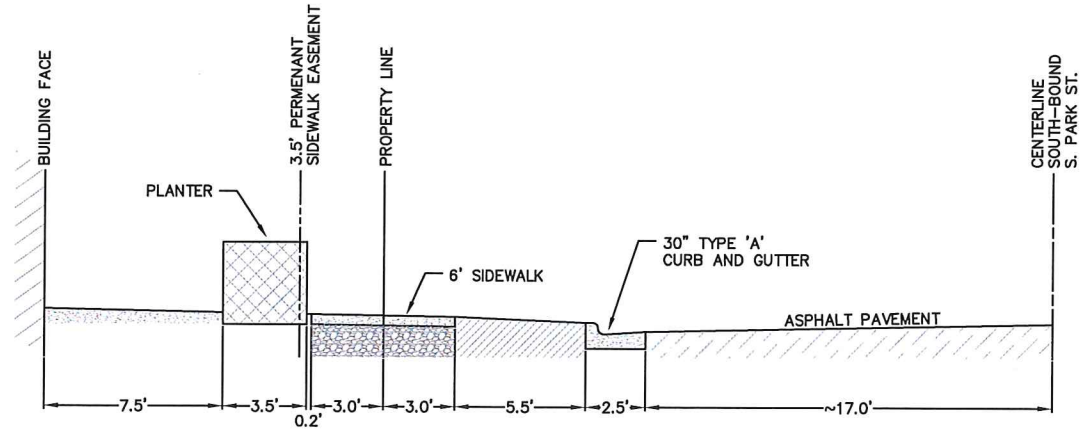
1 CROSS-SECTION A-A (FISH HATCHERY RD W/O BIKE LANE)
2 NOT TO SCALE



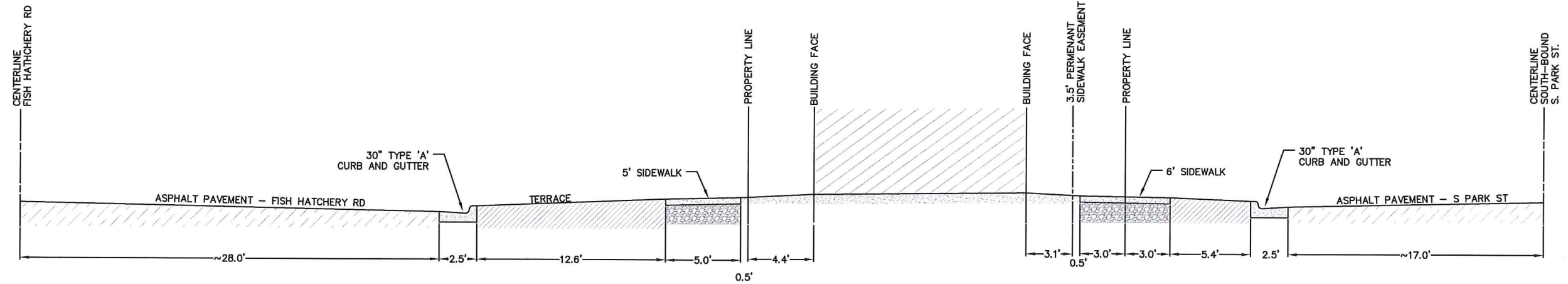
3 CROSS-SECTION C-C (S PARK ST)
2 NOT TO SCALE



2 CROSS-SECTION A-A (FISH HATCHERY RD W/ BIKE LANE)
2 NOT TO SCALE



4 CROSS-SECTION D-D (S PARK ST)
2 NOT TO SCALE



5 CROSS-SECTION B-B (PROW)
2 NOT TO SCALE

REVISIONS	NO.	DATE	REMARKS

SCALE AS SHOWN
DATE 08/24/2017
DRAFTER AMEA
CHECKED RKOL
PROJECT NO. 140245
SHEET 2 OF 2
DWG. NO.