

4

3

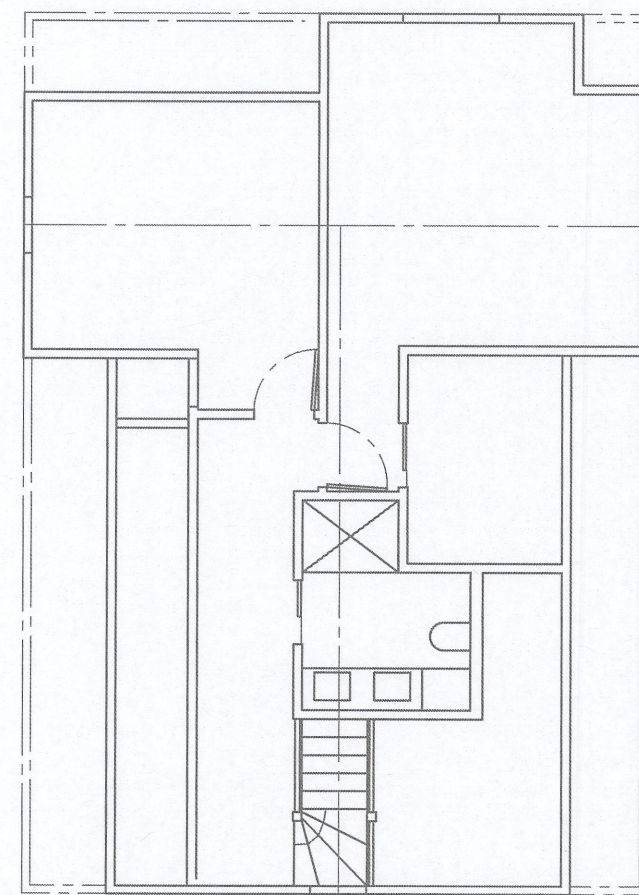
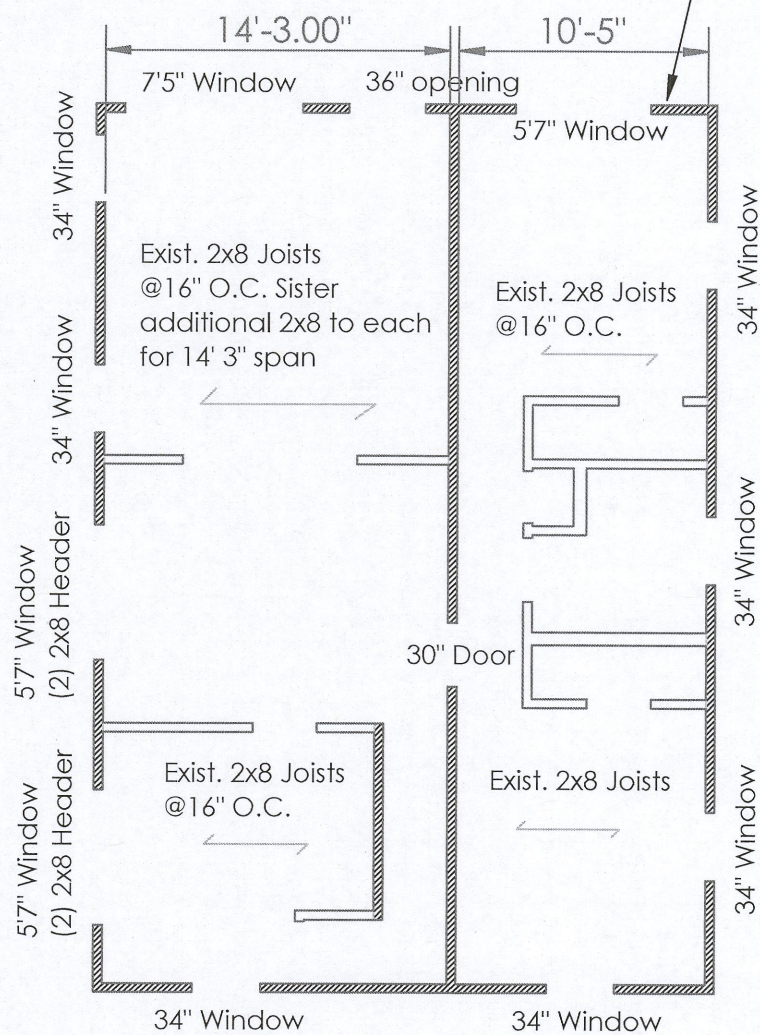
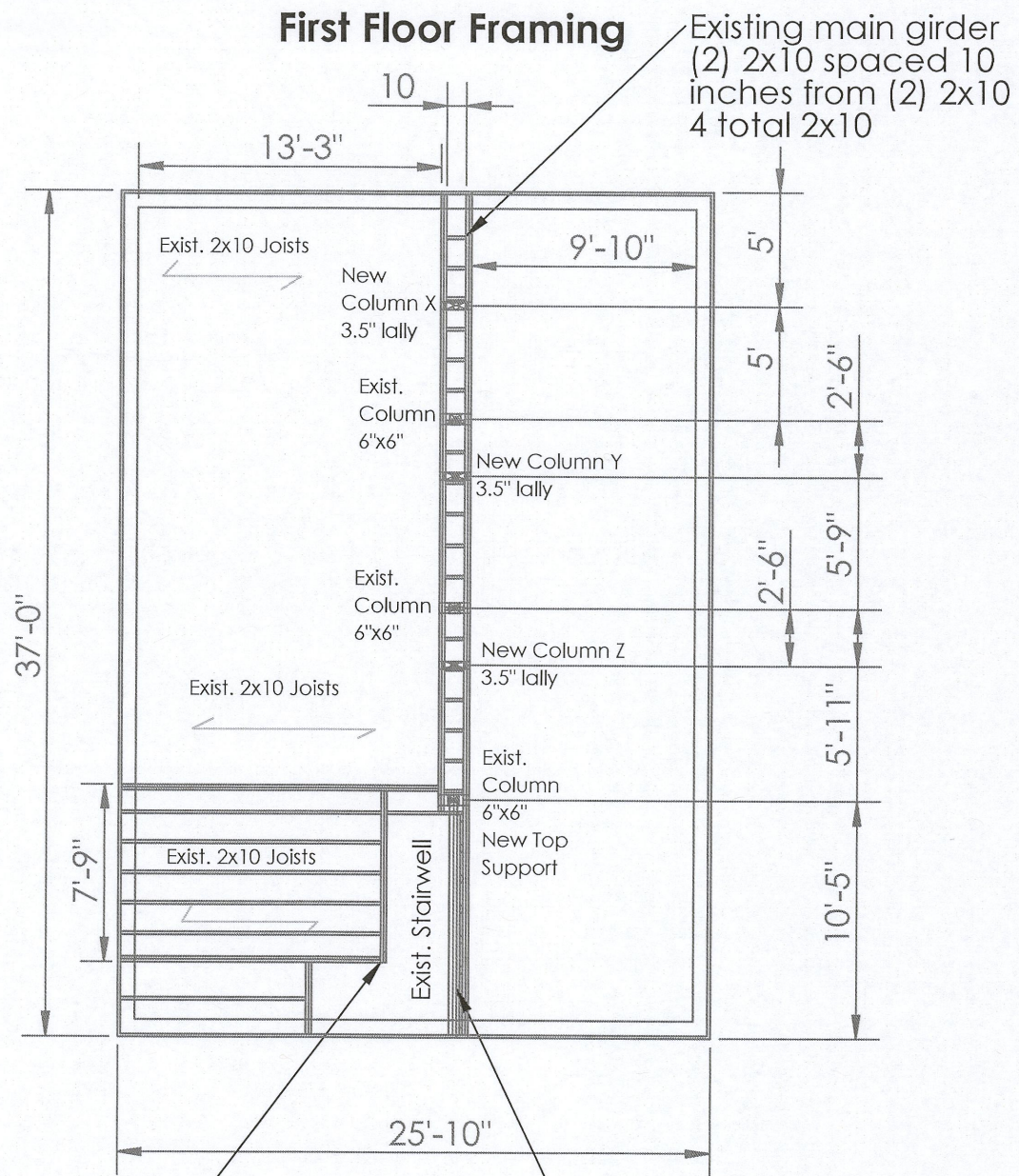
2

1

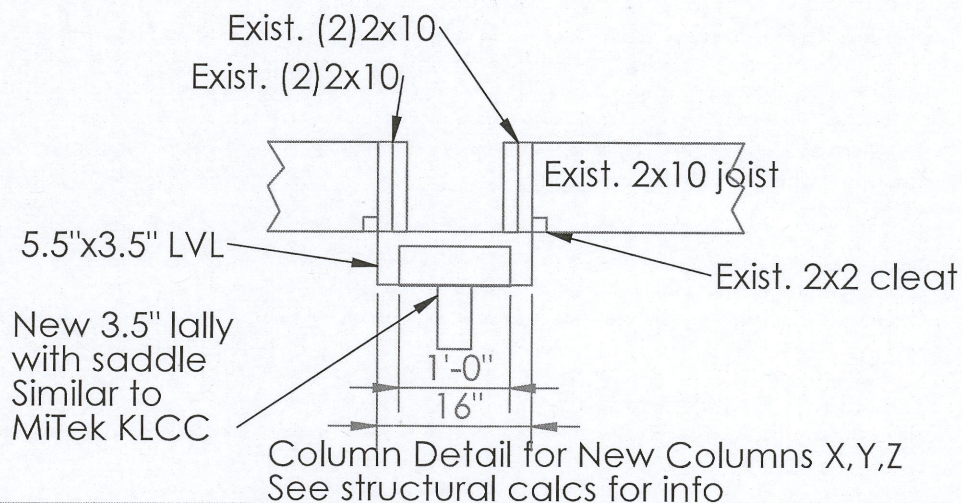
First Floor Framing

Second Floor Framing

Second Floor Layout



Bearing wall



Existing (2)2x6 Post

Existing (2) 2x10 spaced 1.5 inches from additional 2x10 (3 total 2x10)

New 3.5"x9.25" LVL Beam directly under 2nd floor wall/middle of column

TITLE: **FLOOR FRAMING**

SIZE	DWG. NO.	REV
B		
SCALE: 1:96		WEIGHT:
		SHEET 1 OF 1

4

3

2

1

B

B

A

A

4

3

2

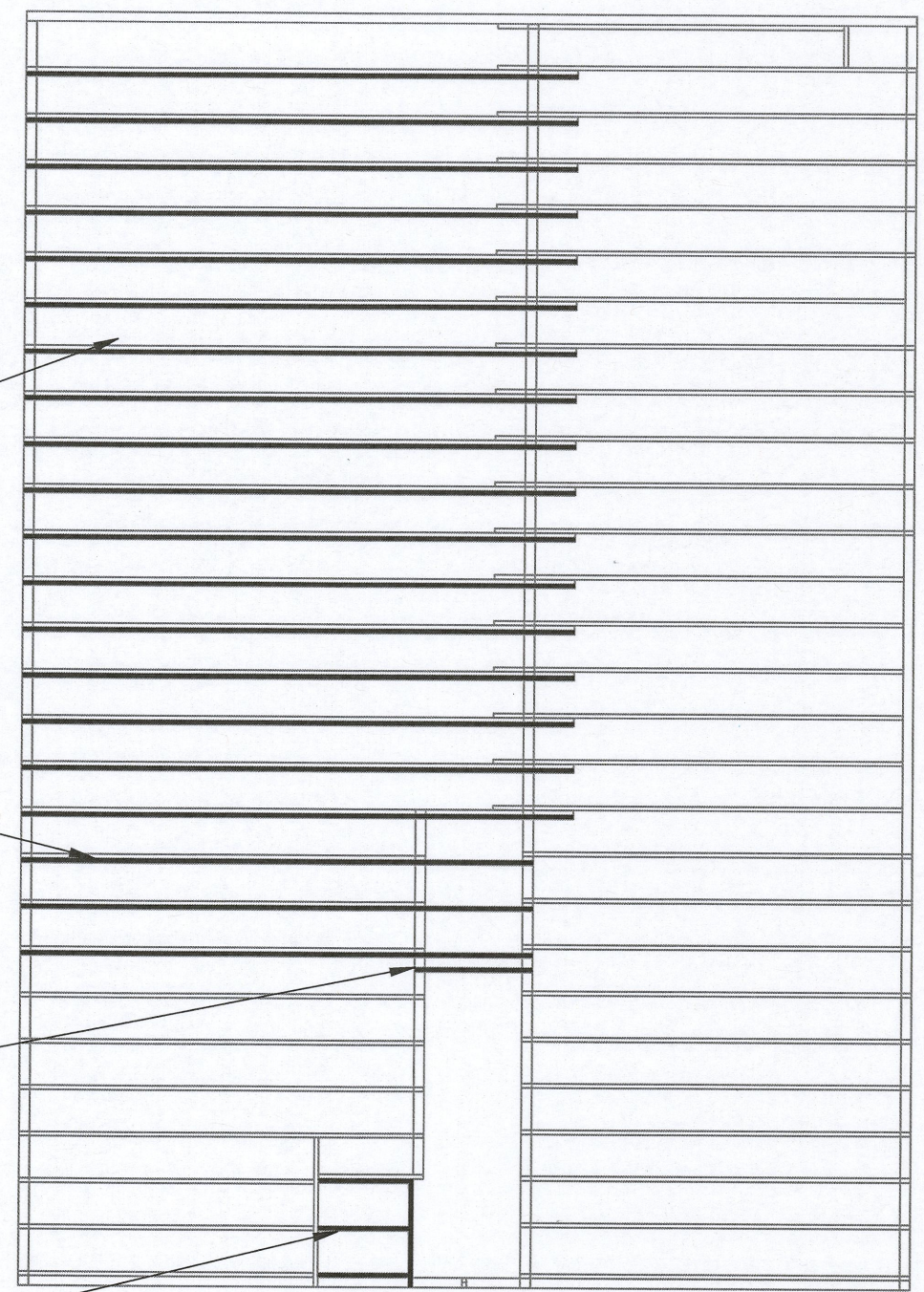
1

Existing Second Floor Framing

Planned Second Floor Framing

B

B



Sister Existing 2x8 joist with additional 2x8 for 14'3" span

Add additional sistered 2x8 joists to extend floor area partly over existing stairwell

One 2x4 over 3 ft span

New 2x8 Framing to Meet New Winder stairs

New Framing Member ———

A

A

SCALE: 3/16" = 1'

TITLE: Existing and Planned Attic Floor Framing		
SIZE B	DWG. NO.	REV
SCALE: 1:64	WEIGHT:	SHEET 1 OF 1

4

3

2

1