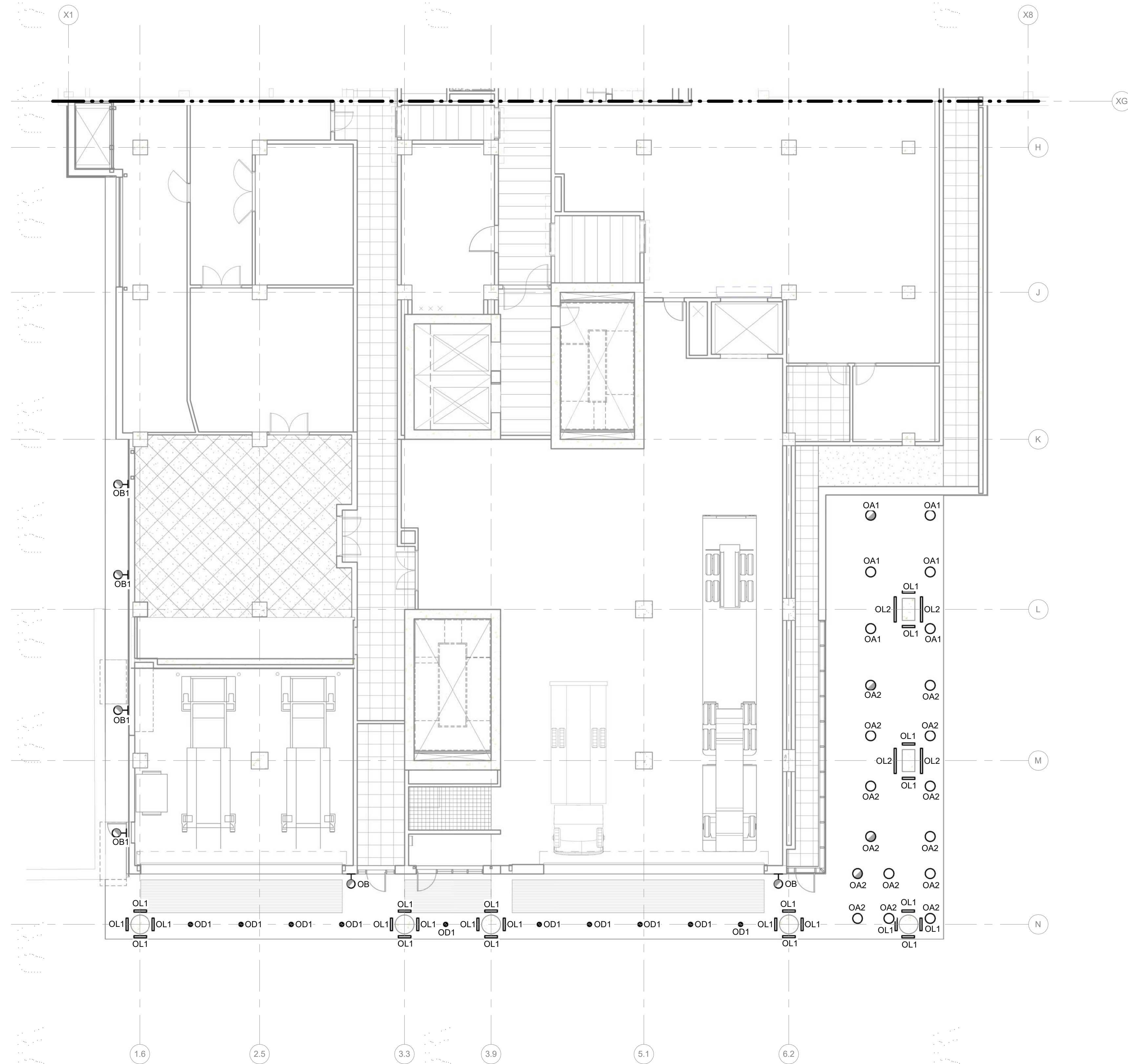


10/25/2022 9:09:48 PM Autodesk Docs/DCJ Consolidation/4215400-161957-01-DCJ-E-2023.rvt



TRUE PLAN
NORTH NORTH

SITE LIGHTING PLAN WILSON STREET - NEW CONSTRUCTION
 1" = 10'-0"

Mead & Hunt

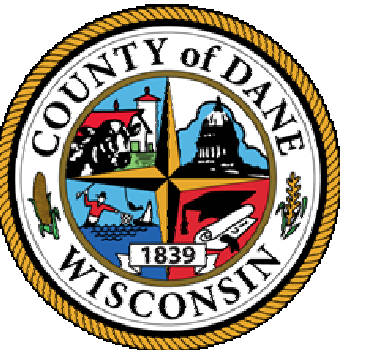
Mead & Hunt, Inc.
2440 Deming Way
Middleton, WI 53562
phone: 608-273-6380
meadhunt.com

Potter Lawson

Success by Design

HR

© Copyright 2022 Mead & Hunt, Inc.
This document is the property of Mead & Hunt, Inc. and is not to be distributed, disclosed, or used on any other project or extension of this project without the written agreement of Mead & Hunt, Inc. Potter Lawson and Mead & Hunt shall not be responsible for any unauthorized use of, or alteration to these documents.



DANE COUNTY DEPT. OF
PUBLIC WORKS, HIGHWAY &
TRANSPORTATION
1919 ALLIANT ENERGY
CENTER WAY
MADISON, WI 53713
PROJECT NO. 318025

**Dane County Jail Consolidation
South Tower Addition & Public Safety
Building Renovation**
115 W. Doty Street
Madison, WI 53703

ISSUED
10/31/2022 LAND USE
APPLICATION

NOT FOR CONSTRUCTION

MEMO: 4215400-161957-01
DATE: 04/27/2022
DESIGNED BY: KMR
DRAWN BY: KMR
CHECKED BY: ARG
DO NOT SCALE DRAWINGS

SHEET CONTENTS
SITE LIGHTING
SUBMITTAL

SHEET NO.:

ES-1



Specifications Diameter: 19" Height: 3.75" Weight: 18 lbs. Introduction: The all new VCPG LED (Visually Comfortable Parking Garage) luminaire is designed to bring glare control, optical performance and energy savings into one package.

Ordering Information. Table with columns: Series, LED Light Output, Package, Color Temperature, Color Rendering Index, Distribution, Voltage, For ordering with face, Shipping included, Mounting.

Options. Table with columns: Option, Description, Finish. Lists various accessories like sensors, photocell, and mounting hardware.

Lithonia Lighting One Lithonia Way • Conyers, Georgia 30012 • Phone: 800-705-SERV (378) • www.lithonia.com



Specifications Diameter: 19" Height: 3.75" Weight: 18 lbs. Introduction: The all new VCPG LED (Visually Comfortable Parking Garage) luminaire is designed to bring glare control, optical performance and energy savings into one package.

Ordering Information. Table with columns: Series, LED Light Output, Package, Color Temperature, Color Rendering Index, Distribution, Voltage, For ordering with face, Shipping included, Mounting.

Options. Table with columns: Option, Description, Finish. Lists various accessories like sensors, photocell, and mounting hardware.

Lithonia Lighting One Lithonia Way • Conyers, Georgia 30012 • Phone: 800-705-SERV (378) • www.lithonia.com



Specifications Front View Side View. Table with columns: Luminaire, Height (H), Width (W), Depth (D), Side Mount Location, Weight. Introduction: The WPX LED wall packs are energy-efficient, cost-effective, and aesthetically appealing solutions.

Ordering Information. Table with columns: Series, Color Temperature, Voltage, Options, Finish. Example: WPX LED 40K MVOLT D6XD.

Notes: The lumen output and input power shown in the ordering tree are average representations of all configurations options. Specific values are available on request.

FEATURES & SPECIFICATIONS INTENDED USE: The WPX LED wall packs are designed to provide a cost-effective, energy-efficient solution for the one-for-one replacement of existing HID wall packs.

Lithonia Lighting One Lithonia Way • Conyers, Georgia 30012 • Phone: 800-705-SERV (378) • www.lithonia.com

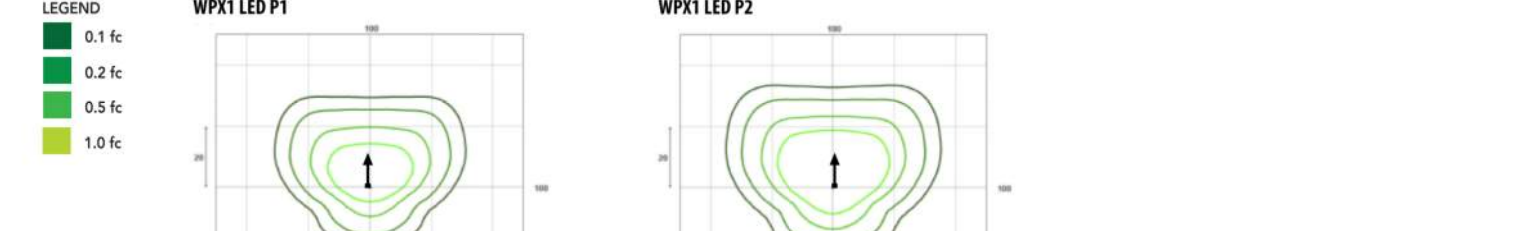
Performance Data. Table with columns: Luminaire, Input Power (W), 120V, 200V, 240V, 277V, 347V.

Lumen Output. Table with columns: Luminaire, Color, Lumens.

Projected LED Lumen Maintenance. Table with columns: Luminaire, Hours, Lumen Maintenance Factor.

HID Replacement Guide. Table with columns: Luminaire, Equivalent HID Lamp, WPX Input Power.

Emergency Egress Battery Packs. Table with columns: Battery Type, Maximum Temperature Rating, Power (Watt), Controls Option, Ordering Example.



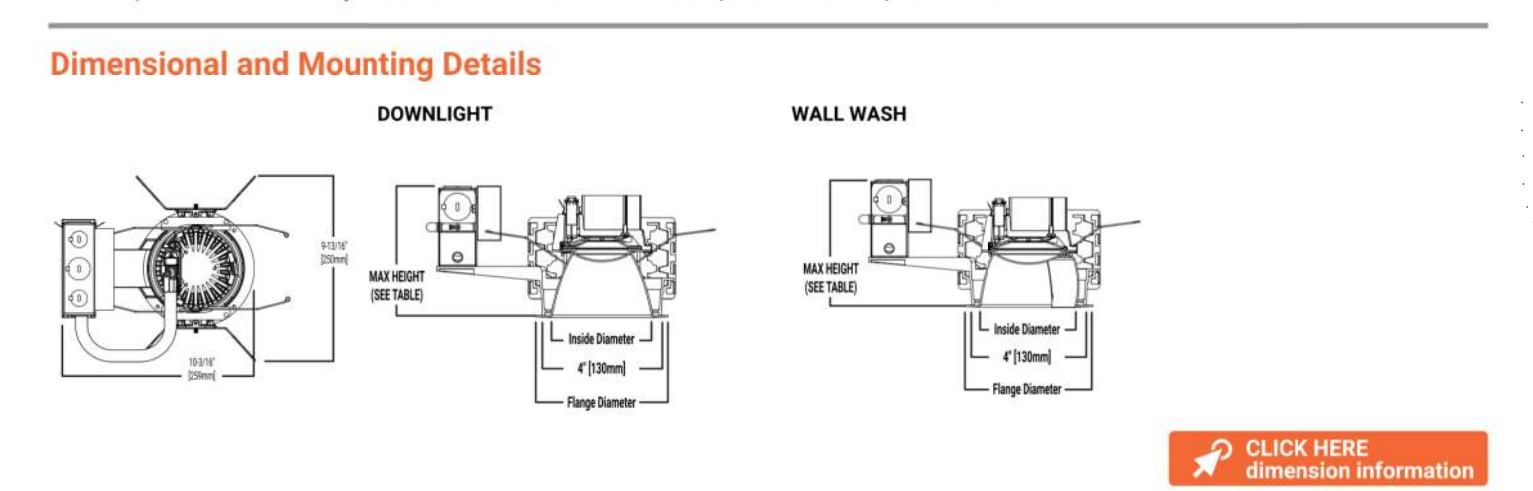
Notes: All WPX wall packs come with an 8' height projection standard, except WPX LED P1 package, which comes with 2.5M surge protection standard. Add SP500 option to get WPX LED P1 with 2.5M surge protection.

Lithonia Lighting One Lithonia Way • Conyers, Georgia 30012 • Phone: 800-705-SERV (378) • www.lithonia.com

Project Catalog # Type. Table with columns: Project, Catalog #, Type.



Portfolio LD4C | EU4C | 4LB. 4" Round, New Construction Downlight. Narrow, Medium, Wide Beam or Wall Wash 2500-7500 Lumens. Typical Applications: Office, Education, Hospitality - Retail, Code-Compliance Areas - Sports Venues.



COOPER Lighting Solutions P352018EN page 2

Portfolio LD4C | EU4C | 4LB. Single Line Order Information. Table with columns: Beam Spread, Lumens, Price.

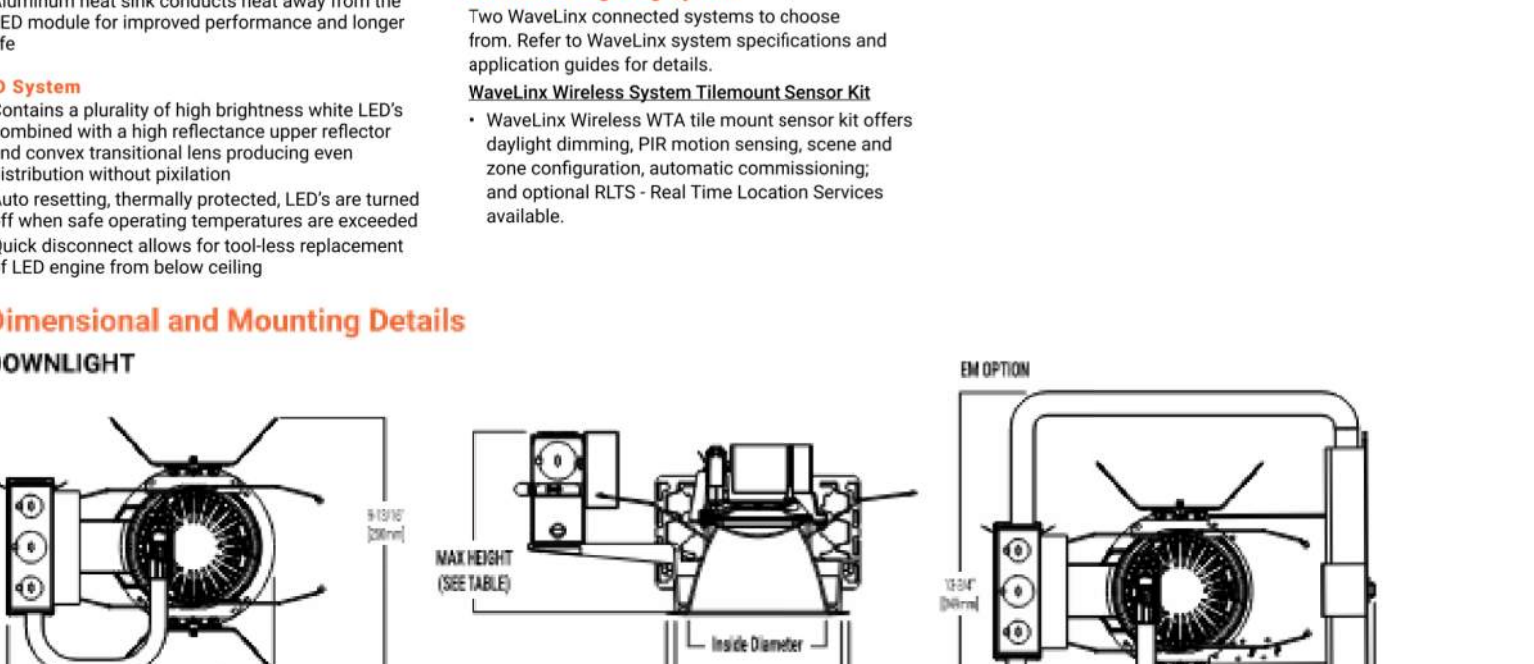
Table with columns: Driver, Lumens, Price. Lists various luminaire models and their specifications.

Table with columns: Driver, Lumens, Price. Lists various luminaire models and their specifications.

COOPER Lighting Solutions P352018EN page 2

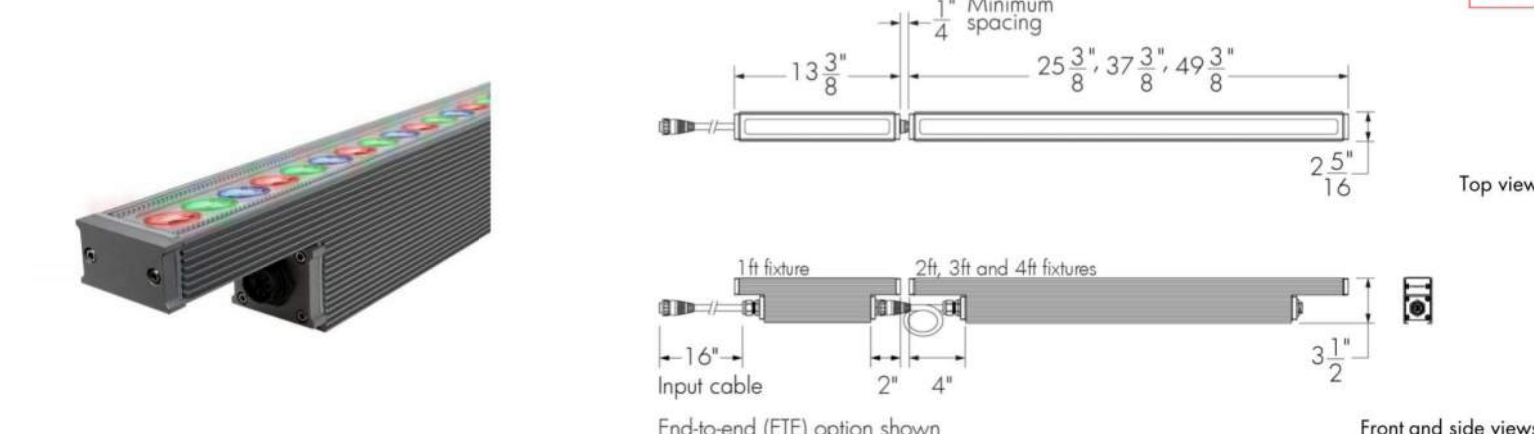
Portfolio LD4C | EU4C | 4LB. Product Specifications. Lower Shielding Required, Wide Beam, High CRI, Adjustable, etc.

Wall Wash Reflector: An open wall wash reflector with gradient lens effect in single, double and corner wall wash provides even vertical illumination with minimal source brightness.



COOPER Lighting Solutions P352018EN page 2

Specification Sheet lumenfacade. Project Name, Catalog #, Part Number, Qty.



Photometric Summary. Table with columns: Delivered Output (lm), Intensity (cd/ft²), Beam Diameter (ft).

Features and Color Temperature. Table with columns: Feature, Description.

COOPER Lighting Solutions P352018EN page 2