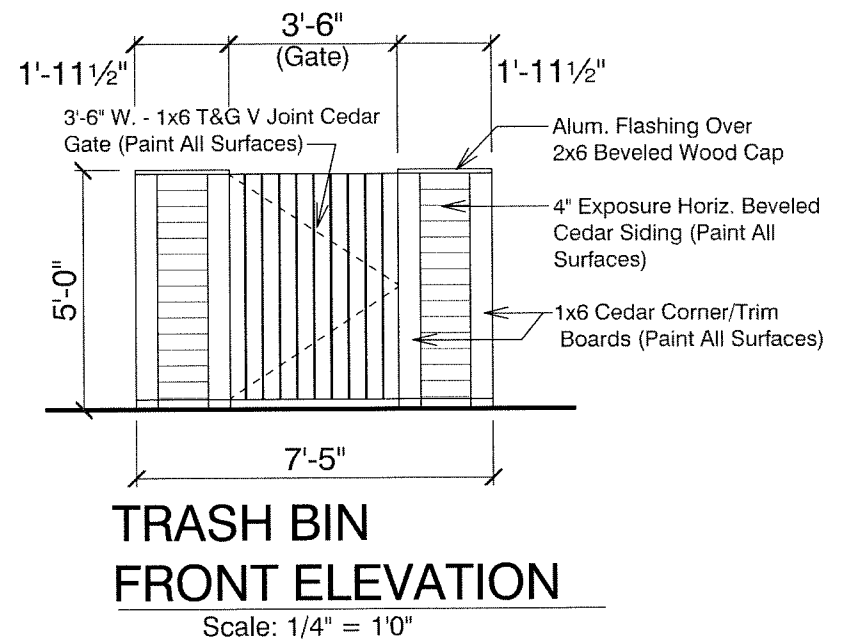
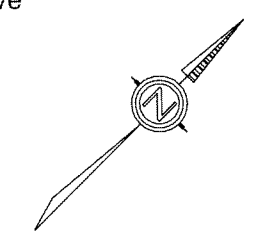


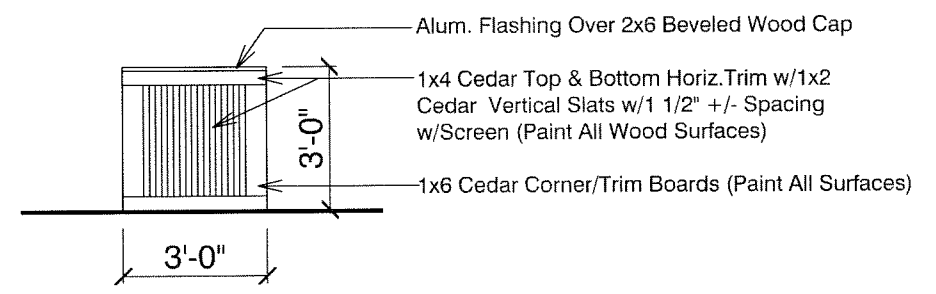
14 SOUTH FRANKLIN ST.

LANDSCAPE PLAN
Scale: 1/8" = 1'-0"

NOTE:
- % -
Represents Direction Of Slope In Grade



TRASH BIN FRONT ELEVATION
Scale: 1/4" = 1'-0"



AIR CONDITIONER SURROUND SIDE ELEVATION
Scale: 1/4" = 1'-0"

MARLING LUMBER COMPANY 1801 E. WASHINGTON AVE. MADISON, WI 53704		
Scale: As Shown	LANDSCAPE PLAN, TRASH BIN & AIR CONDITIONER SURROUND ELEVATIONS	DRAWN BY: Brian K. & Chris D.
Date: 02-04-11		
PROGRESS BUILDERS		
ALTHOUGH EVERY EFFORT HAS BEEN MADE IN PREPARING THESE PLANS AND CHECKING THEM FOR ACCURACY, THE CONTRACTORS MUST CHECK ALL DETAILS AND DIMENSIONS AND BE RESPONSIBLE FOR THE SAME.		DRAWING NUMBER: OF