

CONNECT INTERNAL AND ROOF DRAINAGE SYSTEMS TO EXISTING CURB INLET (VERIFY SIZE AND INVERT)

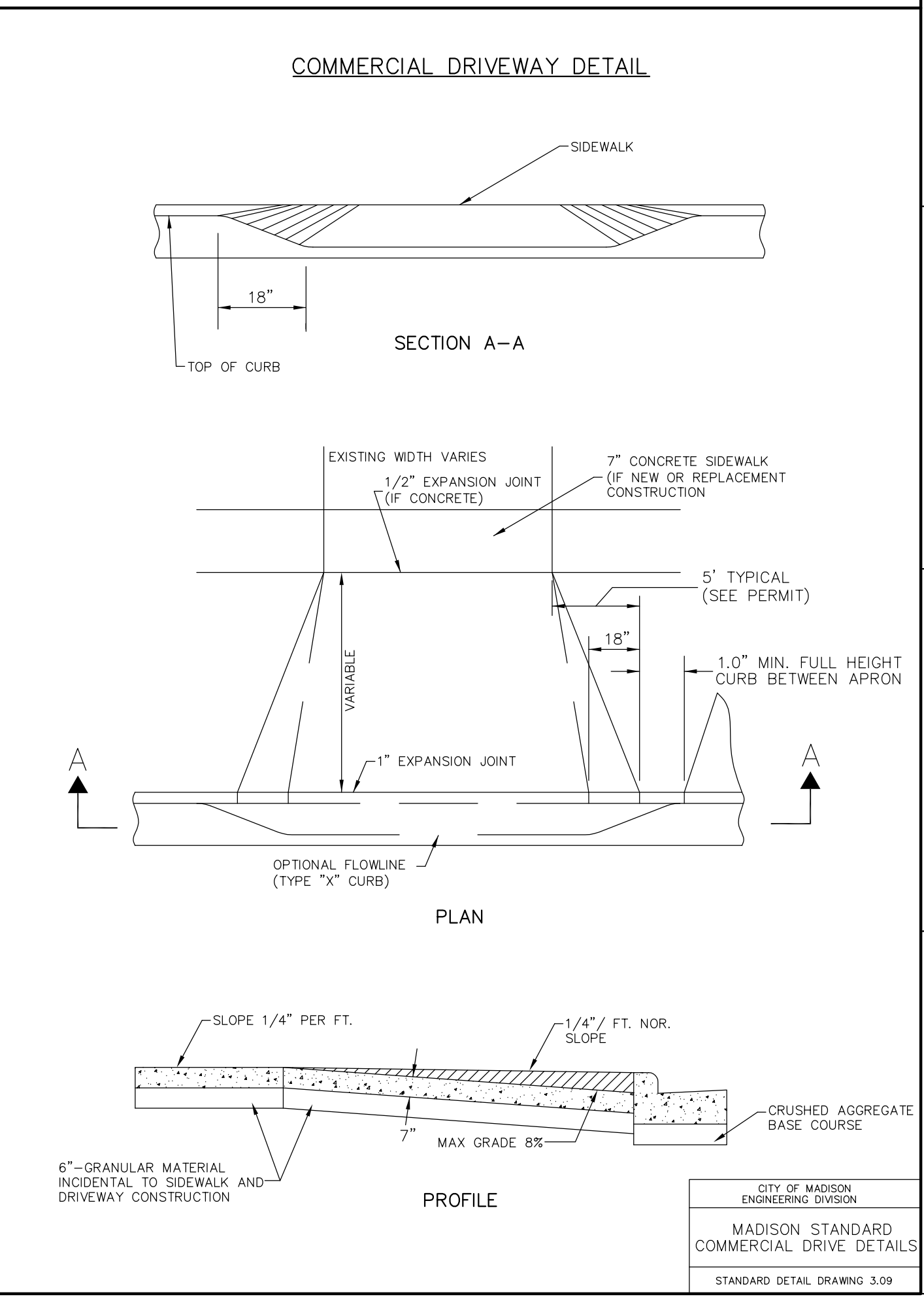
INSTALL NEW 6" WATER LATERAL TO FIRE COMMAND CENTER (CITY OF MADISON WATER UTILITY TO PERFORM LIVE TAP OF EXISTING MAIN)

INSTALL NEW 8" SANITARY LATERAL AT 1/4" PER FOOT. CONNECT TO EXISTING SEWER ACCESS STRUCTURE

N. FRANCES ST.

 TO OBTAIN LOCATION OF PARTICIPANTS' UNDERGROUND FACILITIES BEFORE YOU DIG IN WISCONSIN
CALL DIGGERS HOTLINE
1-800-242-8511 OR 811
TOLL FREE
 TDD(FOR THE HEARING IMPAIRED)(800)542-2289
 WIS. STATUTE 182.0175 (1974) REQUIRES MIN. OF 3 WORK DAYS NOTICE BEFORE YOU EXCAVATE

- NOTES:
1. ALL PRIVATE UTILITIES (GAS, ELECTRIC, AND TELECOMMUNICATIONS) SERVING EXISTING BUILDINGS SCHEDULED FOR DEMOLITION TO BE ABANDONED OR REMOVED BY CORRESPONDING UTILITY COMPANY.
 2. IT IS THE CONTRACTOR'S RESPONSIBILITY TO VERIFY THE LOCATION OF UNDERGROUND UTILITIES. UTILITIES WERE LOCATED BY OBSERVED EVIDENCE, MARKINGS PROVIDED BY DIGGER'S HOTLINE, AND RECORD DRAWINGS FROM THE CITY OF MADISON.
 3. ANY SIDEWALK, CURB, OR OTHER PUBLIC PROPERTY DAMAGED AS PART OF THE CONSTRUCTION OF THE UTILITIES AND BUILDING SHALL BE REPLACED IN-KIND PER THE CITY OF MADISON'S STANDARD SPECIFICATION.



General Notes:

No.	Date	Description
1	5.22.2013	Issued for UDC Review
2	8.23.2013	Record Set Submittal

Submissions & Revisions

Owner
CORE CAMPUS
 Core Campus Madison, LLC
 224 WEST MONROE STREET
 MADISON, WISCONSIN 53703
 PHONE: (773) 225-5300
 FAX: (773) 225-5300

General Contractor

Architect
ANTUNOVICH ASSOCIATES ARCHITECTS P.L.L.C.
 224 WEST MONROE STREET
 MADISON, WISCONSIN 53703
 PHONE: (608) 255-9263
 FAX: (608) 255-9266
 E-MAIL: MANTUNOVICH@AA-NC.NET
 WWW.ANTUNOVICHARCHITECTS.COM

Landscape Architect

Structural Engineer

M.E.P. Engineers

Civil Engineer
Burse
 Consulting and Engineering, Inc.
 1400 E. Washington Ave., Suite 558
 Madison, WI 53703
 Phone: 608-253-9263
 Fax: 608-253-9266
 e-mail: Mburse@Burse-NC.net
 www.burseconsulting.com

Project Location
HUB AT MADISON
 441 N. Francis Street
 Madison, WI 53703

Drawing Title
UTILITY PLAN

Seal

Date:

Drawing No.
C-400

STANDARD DETAIL DRAWING 3.09

CITY OF MADISON ENGINEERING DIVISION
 MADISON STANDARD COMMERCIAL DRIVE DETAILS