

REDROCK SALOON CODE ANALYSIS

PERMIT SET

DRAWING SHEET INDEX:

GENERAL

AG001 COVER, DRAWING SHEET INDEX, CODE SUMMARY

ARCHITECTURAL

A101 1ST LEVEL FLOOR PLAN - FOR REFERENCE

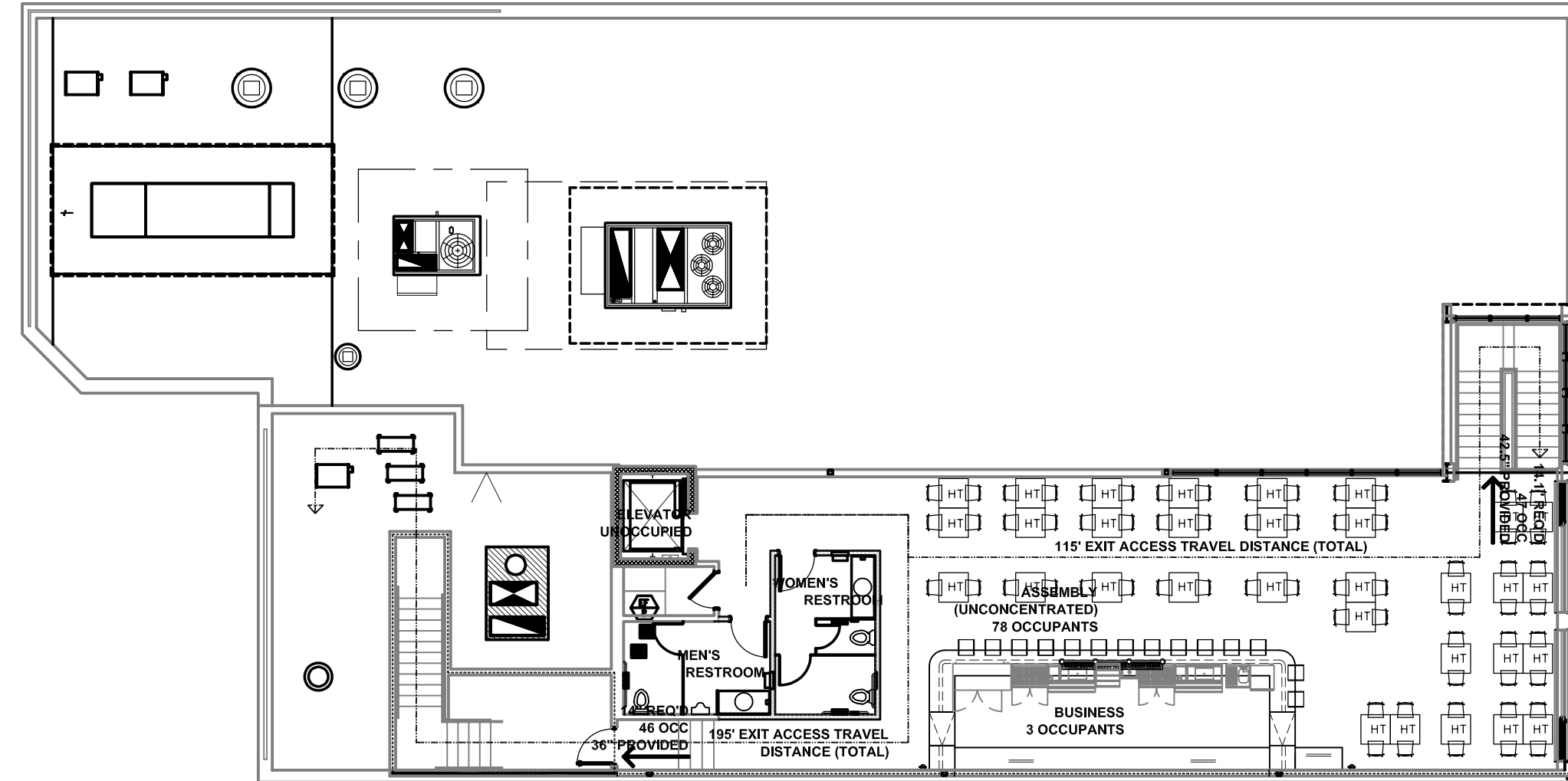
10 / 05 / 2021

ARCHITECT OF RECORD:

OPN ARCHITECTS

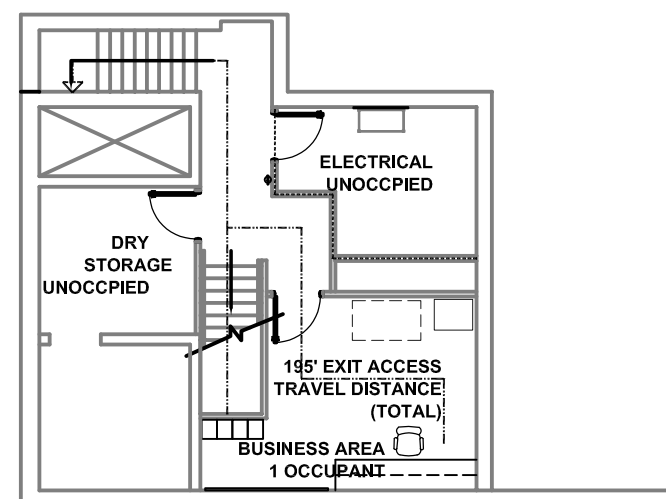
I hereby certify these plans and specifications were prepared by me or under my direct personal supervision and that I am a duly Registered Architect under the laws of the State of Wisconsin.

Signature: _____
 Name: WESLEY T. REYNOLDS
 Discipline: ARCHITECT Registration #: 11709-S
 Date: 2022-07-31



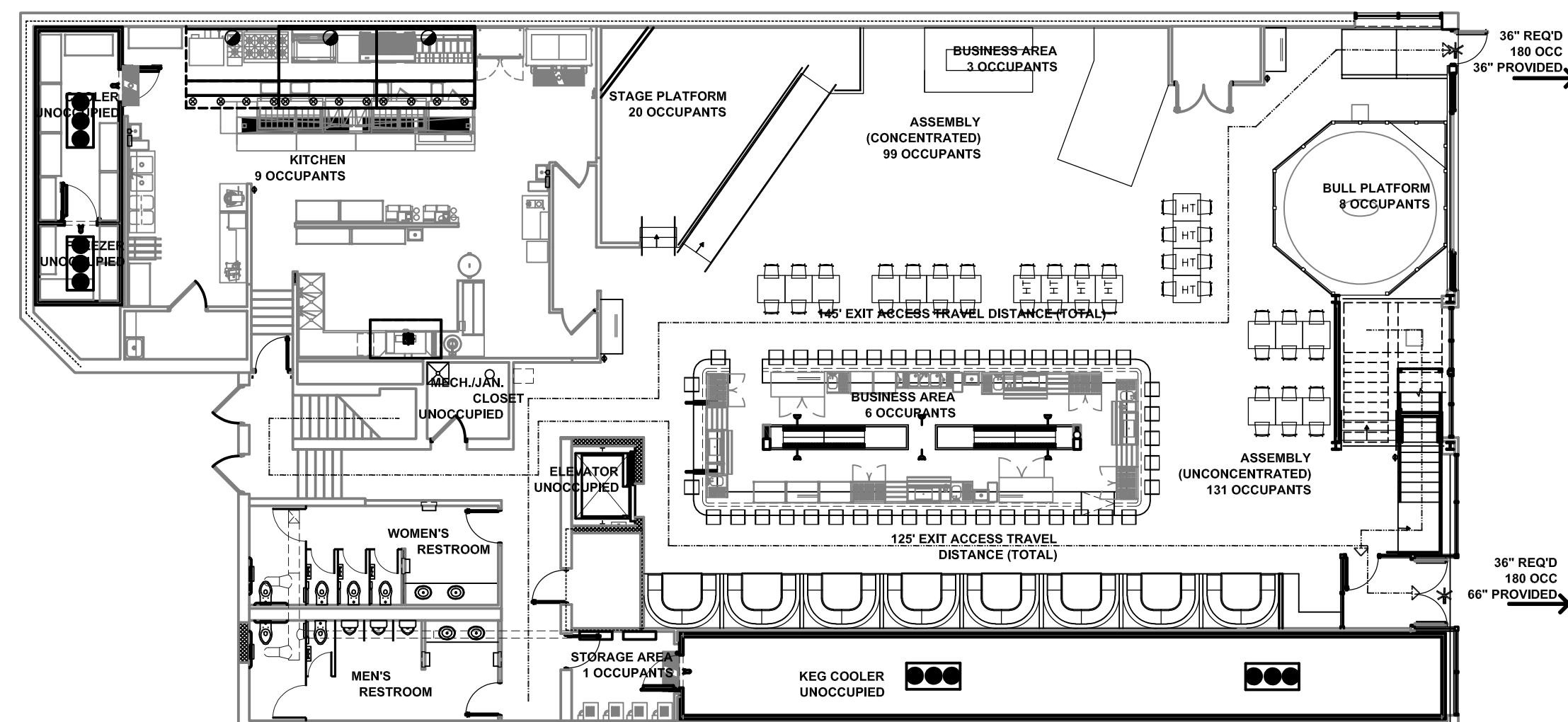
CODE PLAN - 2ND LEVEL

NTS



CODE PLAN - MEZZANINE

NTS



CODE PLAN - 1ST LEVEL

NTS

Building Code Review

PROJECT DESCRIPTION
 This project involves evaluating contractor completed construction efforts for code compliance. Included items reviewed includes the musician stage, relocated side bar, mechanical bull riding ring and bull riding operator's platform. No other work is included in this project.

APPLICABLE CODES
 INTERNATIONAL BUILDING CODE 2015 (State of Wisconsin Building Code)
 INTERNATIONAL EXISTING BUILDING CODE 2015

CODE REVIEW SUMMARY

- OCCUPANCY CLASSIFICATION, A-2 ASSEMBLY & BUSINESS (per chapter 3)
- CONSTRUCTION CLASSIFICATION (per chapter 6): TYPE IIA (Assumed/Existing)
- FULLY SPRINKLERED PER NFPA 13
- OCCUPANCY LOAD FACTOR (per chapter 10): 360 occupants (Total)
- MIN NUMBER OF EXITS: 360/49 = 2 EXITS REQUIRED
- MIN WIDTH OF EXIT DOORS: 36" x 2 OR 66" MIN. (99" PROVIDED)

GENERAL NOTES:

1. The review plan shows major exits only. Refer to the AG001 wall types for specific wall information. Assemblies shown to be fire-rated must be constructed according to the listed UL assembly designation number.

LEGEND

----- 1-HOUR FIRE RATED WALL
 ----- PATH OF EGRESS TRAVEL
 # REQUIRED # OCC # PROVIDED EXIT

2015 INTERNATIONAL PLUMBING CODE TABLE 403.1 MINIMUM PLUMBING FACILITIES

	WC REQ'D	WC PROV'D	LAV REQ'D	LAV PROV'D	URINAL PROV'D	D.F. REQ'D	S.SINK REQ'D	S.SINK PROV'D
GENERAL	-	-	-	-	-	1	2	2
MEN'S	4	4	2	3	3	-	-	-
WOMEN'S	4	6	2	3	-	-	-	-

IBC CHAPTER 6: Types of Construction

SECTION ITEM REQUIREMENT COMMENT

- 602 General: Buildings and structures erected or to be erected, altered or extended in height or area shall be classified in one of the five construction types defined in Sections 602.2 through 602.5. The building elements shall have a fire-resistance rating not less than that specified in Table 601 and exterior walls shall have a fire-resistance rating not less than that specified in Table 602. Where required to have a fire-resistance rating by Table 601, building elements shall comply with the applicable provisions of Section 703.2. The protection of openings, ducts and air transfer openings in building elements shall not be required unless required by other provisions of this code.
- 602.2 Types I and II Types I and II construction are those types of construction in which the building elements listed in Table 601 are of noncombustible materials, except as permitted in Section 603 and elsewhere in this code.

The existing space was constructed as a sprinkled, Type IIA (Assumed).

IBC CHAPTER 7: Fire and Smoke Protection Features

SECTION ITEM REQUIREMENT COMMENT

- 701.1 Scope: The provisions of this chapter shall govern the materials, systems and assemblies used for structural fire resistance and fire-resistance-rated construction separation of adjacent spaces to safeguard against the spread of fire and smoke within a building and the spread of fire to or from buildings.
- 704 Fire-Resistance Rating of Structural Members
- 704.1 Requirements: The fire-resistance ratings of structural members and assemblies shall comply with this section and the requirements for the type of construction as specified in Table 601. The fire-resistance ratings shall not be less than the ratings required for the fire-resistance-rated assemblies supported by the structural members.

The existing space was constructed as a sprinkled, Type IIA (Assumed).

IBC CHAPTER 10: Means of Egress

SECTION ITEM REQUIREMENT COMMENT

- 1003 General: Means of Egress
- 1003.1 Applicability: The general requirements specified in Sections 1003 through 1013 shall apply to all three elements of the means of egress system, in addition to those specific requirements for the exit access, the exit and the exit discharge detailed elsewhere in this chapter.
- 1003.6 Means of Egress Continuity: The path of egress travel along a means of egress shall not be interrupted by any building element other than a means of egress component as specified in this chapter. Obstructions shall not be placed in the required width of a means of egress except projections permitted by this chapter. The required capacity of a means of egress system shall not be diminished along the path of egress travel.
- 1004 Occupant Load
- 1004.1 Design Occupant Load: In determining means of egress requirements, the number of occupants for whom means of egress facilities shall be provided shall be determined in accordance with this section. Where occupants from accessory areas egress through a primary space, the calculated occupant load for the primary space shall include the total occupant load of the primary space plus the number of occupants egressing through it from the accessory area.

The occupant load of the remodeled area has been calculated based on the following, per Table 1004.1.2

Floor	Area	Occupancy
1st floor:	Assembly (Unconcentrated):	1/15 nsf - 2,580 sf = 132 occupants
	Assembly (Standing Unconcentrated):	1/5 nsf - 302 sf = 84 occupant
	Business:	1/100 gross - 600 sf = 9 occupants
	Kitchen:	1/200 gross - 1,720 sf = 9 occupants
	Storage:	1/300 gross - 85 sf = 1 occupant
Stages/Platforms:	15 nsf - 403 SF = 41 occupants	
	Subtotal:	276 occupants
Mezzanine:	Business:	1/100 gross - 97sf = 1 occupant
	Storage:	1/300 gross - 250 sf = 1 occupant
	Subtotal:	2 occupants
2nd floor:	Assembly (Unconcentrated):	1/15 nsf - 1,338 sf = 78 occupant
	Business:	1/100 gross - 276 sf = 3 occupant
	Subtotal:	81 occupants
Total:		360 occupants

1005 Egress Width

1005.1 Minimum required egress width. The means of egress width shall not be less than required by this section. The total width of means of egress in inches (mm) shall not be less than the total occupant load served by the means of egress multiplied by 0.3 inch (7.62 mm) per occupant for stairways and by 0.2 inch (5.08 mm) per occupant for other egress components. The width shall not be less than specified elsewhere in this code. Multiple means of egress shall be sized such that the loss of any one means of egress shall not reduce the available capacity to less than 50 percent of the required capacity. The maximum capacity required from any story of a building shall be maintained to the termination of the means of egress.

Minimum egress width is:
360 Occupants x 2 (for other egress components) = 72" req'd < 99" provided

- 1014 Exit Access
- 1014.1 General: The exit access shall comply with the applicable provisions of Sections 1003 through 1013. Exit access arrangement shall comply with Sections 1014 through 1019.

Multiple exits connect to the building exterior and public way

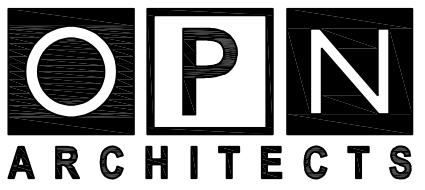
- 1015 Exit and Exit Access Doorways
- 1015.1 Exits and Exit Access Doorways from Spaces: Two exits or exit access doorways from any space shall be provided where one of the following conditions exists:
- The occupant load of the space exceeds one of the values in Table 1015.1.

Occupants : 360 > 49 = 2 exits req'd

- 1016 Exit Access Travel Distance
- 1016.1 Travel Distance Limitations: Exits shall be so located on each story such that the maximum length of exit access travel, measured from the most remote point within a story along the natural and unobstructed path of egress travel to an exterior exit door at the level of exit discharge, an entrance to a vertical exit enclosure, an exit passageway, a horizontal exit, an exterior exit stairway or an exterior exit ramp, shall not exceed the distances given in Table 1016.1.

Per Table 1016.1, An Occupancy with sprinkler system allows a maximum of 250'.

CODE REVIEW



CEDAR RAPIDS • DES MOINES • MADISON

OPN ARCHITECTS, INC.
 301 N. BROOM ST., SUITE 100
 MADISON, WI 53703
 608/819-0260 PHONE
 www.opnarchitects.com
 opn@opnarchitects.com

OPN ARCHITECTS, INC.
 200 FIFTH AVE. SE, SUITE 201
 CEDAR RAPIDS, IA 52401
 319/363-6018 PHONE
 www.opnarchitects.com
 opn@opnarchitects.com

OPN ARCHITECTS, INC.
 100 COURT AVE., SUITE 100
 DES MOINES, IA 50309
 515/309-0722 PHONE
 www.opnarchitects.com
 opn@opnarchitects.com

All reports, plans, specifications, computer files, field data, notes and other documents and instruments prepared by OPN Architects, Inc. as instruments of service shall remain the property of OPN Architects, Inc. OPN Architects, Inc. shall retain all common law, statutory and other reserved rights, including the copyright thereto.

© 2021 OPN Architects, Inc.

Building Owner

Urban Land Interests
 10 East Doty Street, Suite 300
 Madison, WI 53703

Architect of Record

OPN ARCHITECTS
 301 N. Broom Street, Suite 100
 Madison, WI 53703

Project

REDROCK SALOON CODE ANALYSIS
 222 West Gorham Street
 Madison, WI 53703

Issue & Revision Dates

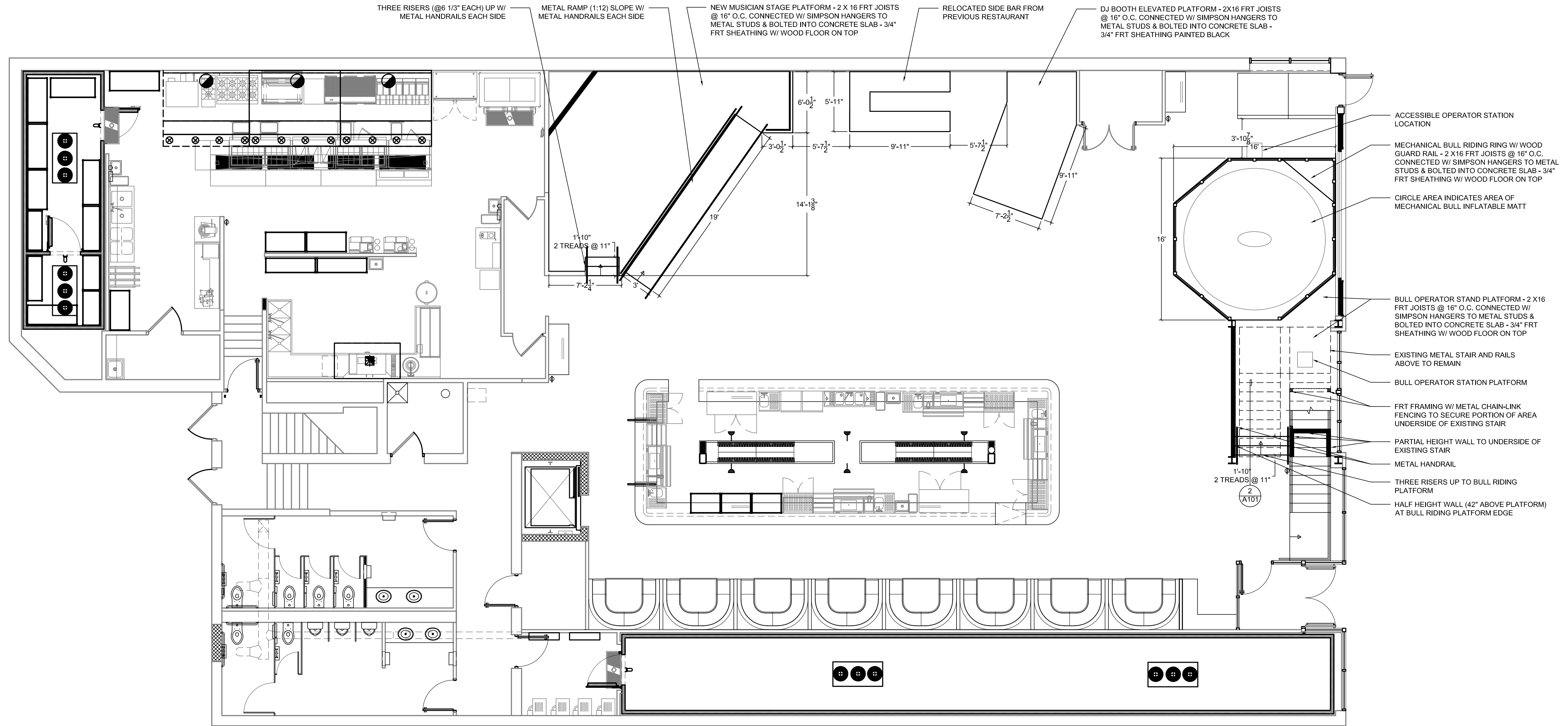
PERMIT SET 10/05/2021

PERMIT SET

Drawing
 COVER, DRAWING SHEET INDEX, CODE SUMMARY

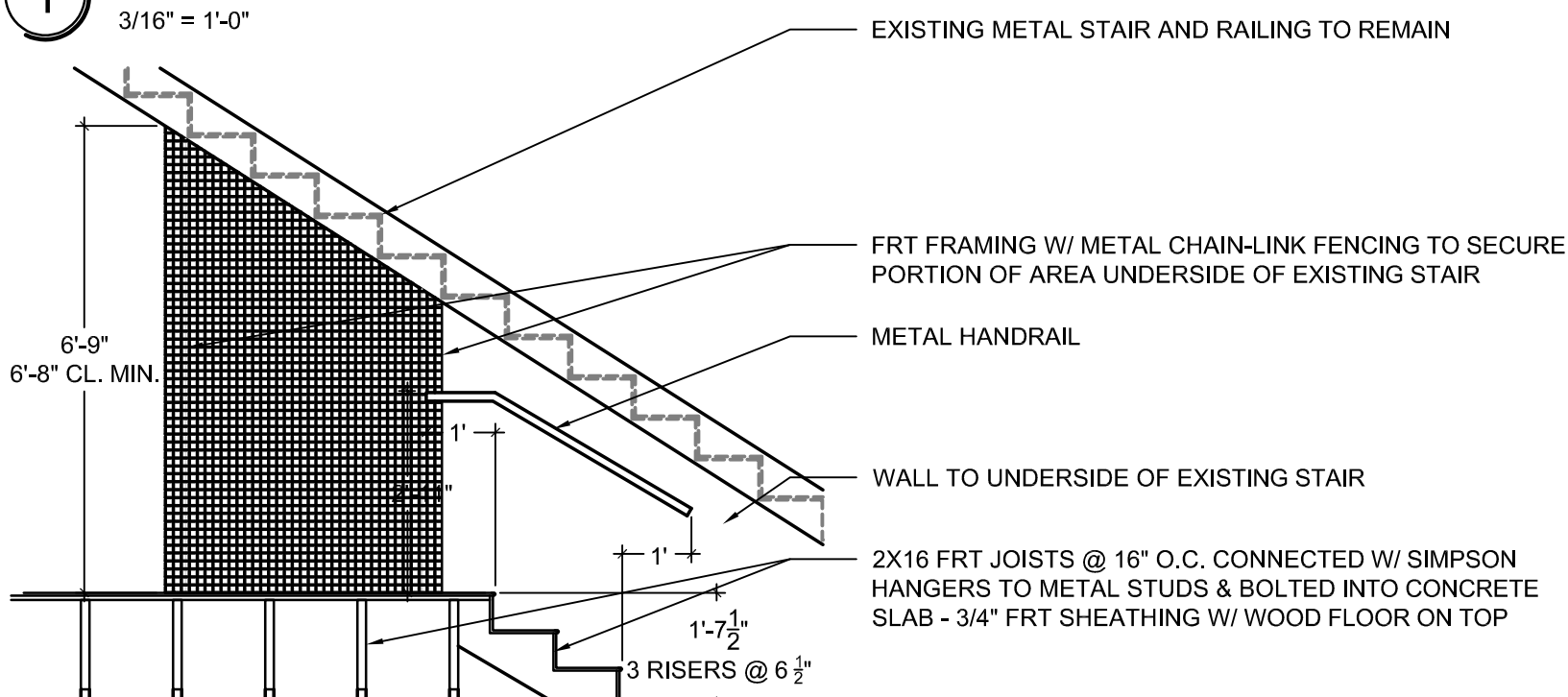
OPN Project No. 21650000

AG001



1 MAIN LEVEL FLOOR PLAN

3/16" = 1'-0"



2 SECTIONAL ELEVATION

3/8" = 1'-0"