

Madison, Wisconsin

# CITY OF MADISON

## CITY ENGINEERING DIVISION

### DEPARTMENT OF PUBLIC WORKS

# PLAN OF PROPOSED IMPROVEMENT

## MINERAL POINT ROAD WIDENED SIDEWALK

CITY PROJECT NO. 12777

CONTRACT NO. ###

MUNIS NO. #####

PUBLIC IMPROVEMENT PROJECT APPROVED

BY THE COMMON COUNCIL OF MADISON, WISCONSIN

PUBLIC IMPROVEMENT DESIGN APPROVED BY:

City Engineer

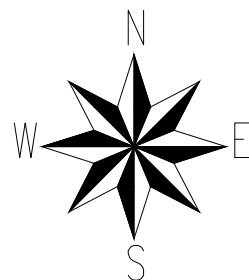
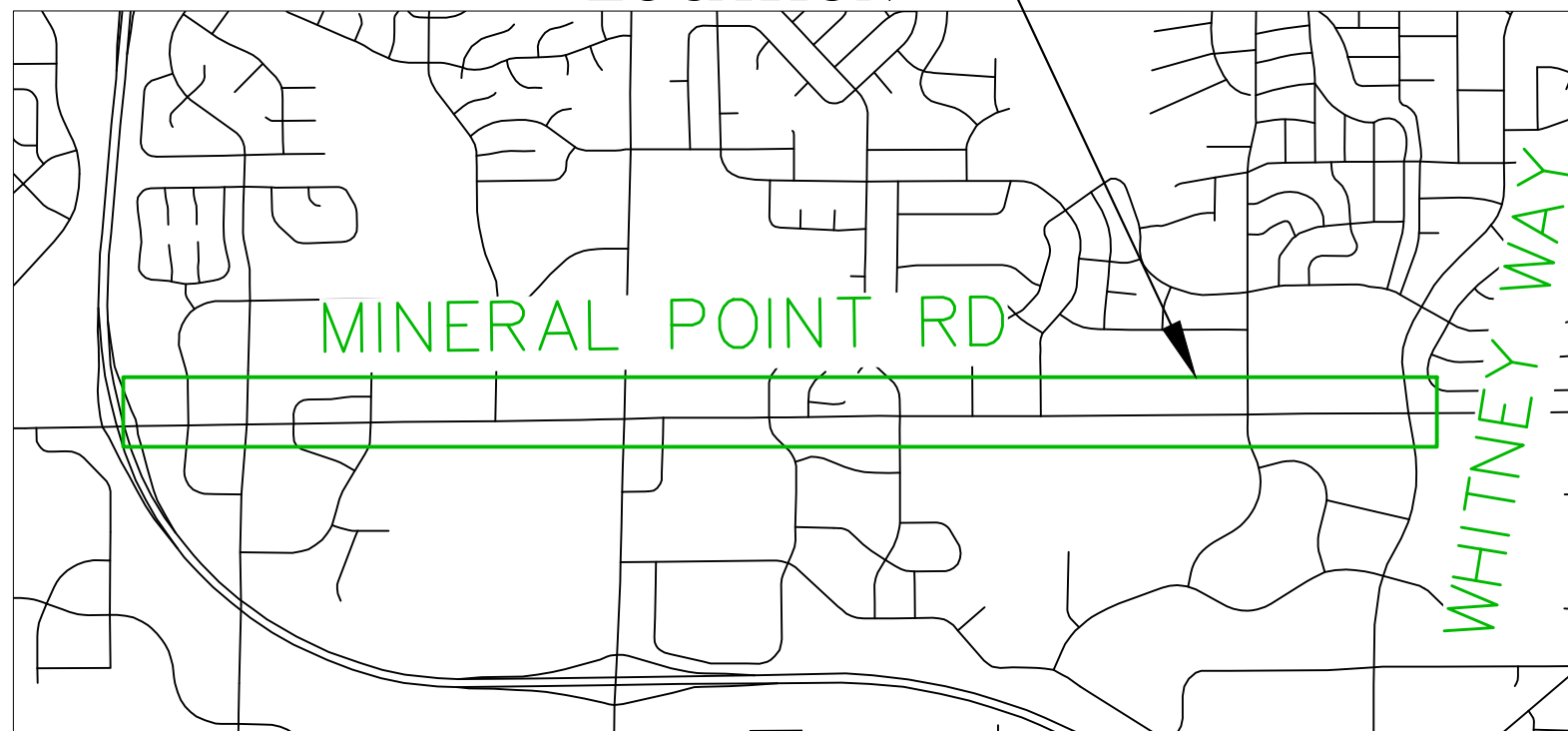
Date

### INDEX OF SHEETS

SHEET NO.	TITLE
SHEET NO. 1	GENERAL NOTES
SHEET NO. G-1-G2	OVERVIEW
SHEET NO. 01	TYPICAL SECTIONS
SHEET NO. TS-1	DETAILS
SHEET NO. CD1	REMOVAL PLAN
SHEET NO. R#-R#	PLAN & PROFILE
SHEET NO. PP#-PP#	SITE PLAN
SHEET NO. P#-P#	CROSS SECTIONS

**60% PLANS**  
**(MARCH 31, 2022)**  
**NOT FOR CONSTRUCTION**

### PROJECT LOCATION



#### CONVENTIONAL SIGNS FIELD VERIFY ALL UTILITY LOCATIONS

##### COMBUSTIBLE FLUIDS

- BURIED ELECTRIC — E —
- FIBER OPTIC — FO —
- GAS — G —
- OVERHEAD ELECTRIC — OH —
- POWER POLE — □ —
- STORM SEWER — SS —
- SANITARY SEWER — SAN —
- COMMUNICATIONS — TV —
- WATER — W —

PLAT  
DESIGNED BY: TIMOTHY HELD

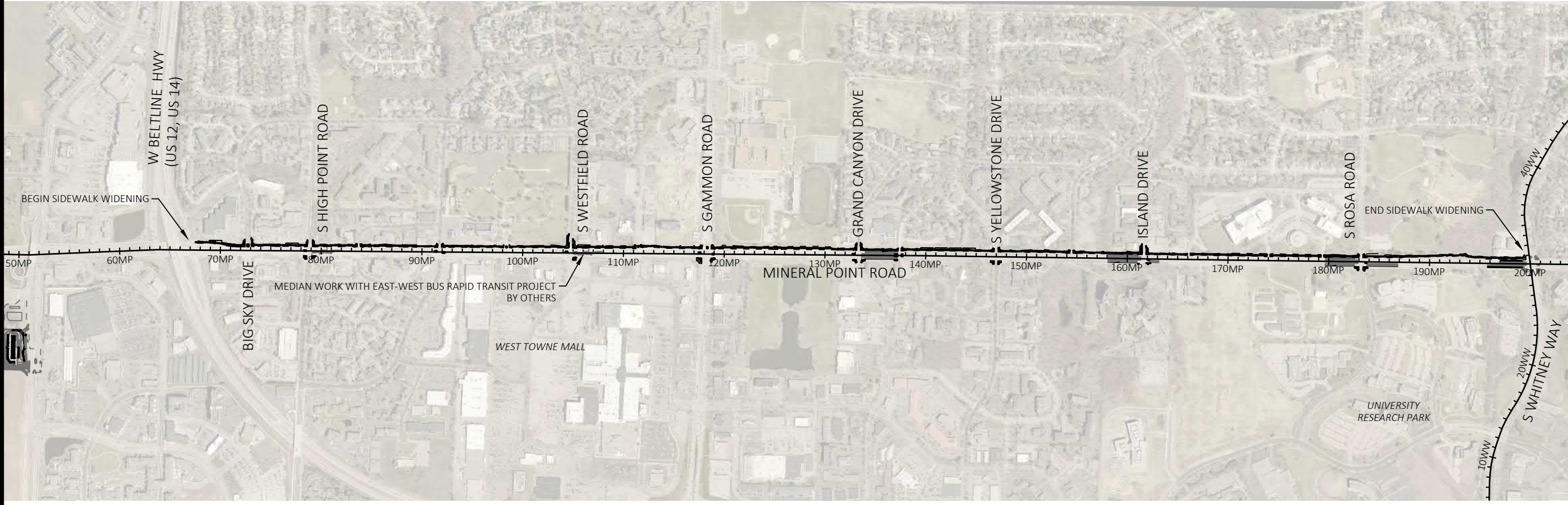
WIDENED SIDEWALK  
DESIGNED BY: MICHAEL SCHNEIDER

PLOT SCALE: 1:1

PLOT NAME: ---

REV. DATE: 3/18/2022 10:44 AM

ORIGINATOR: CITY\_OF\_MADISON



MARK	REVISION	DATE	BY
60631225P	Designed By: AECOM	2022-03-18	

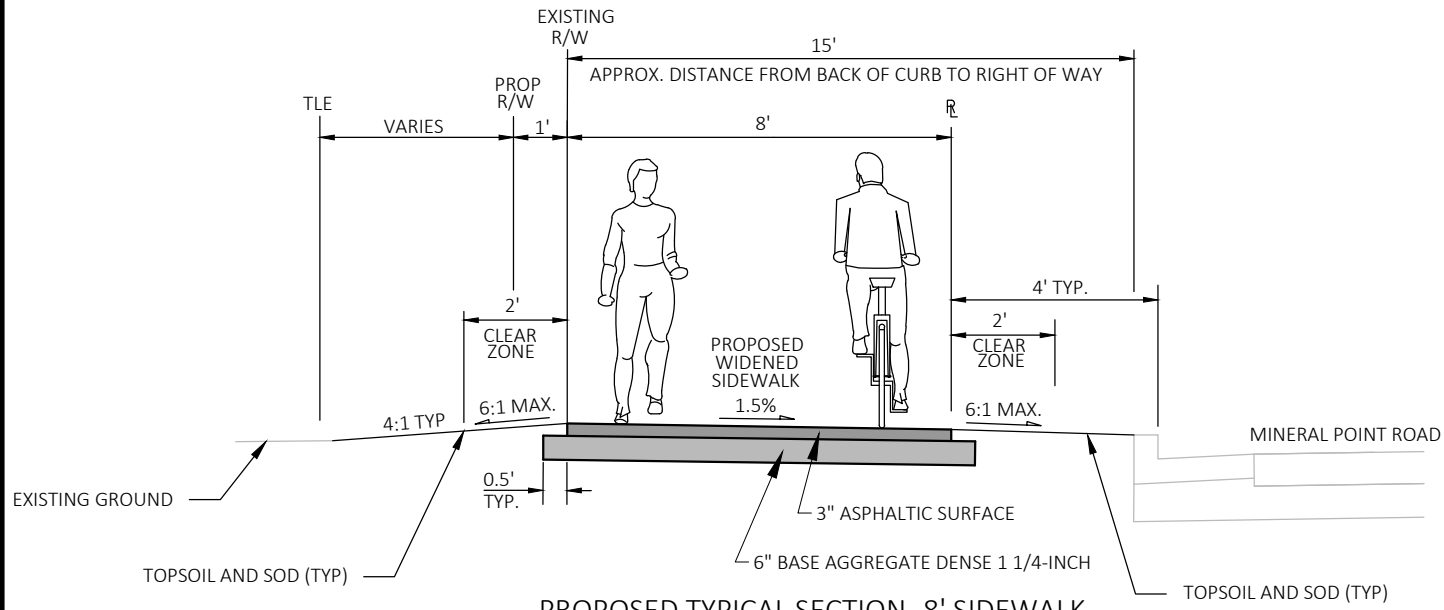
60631225P  
 CITY OF MADISON, DANE COUNTY, WI  
 CONTRACT NO: 60631225C



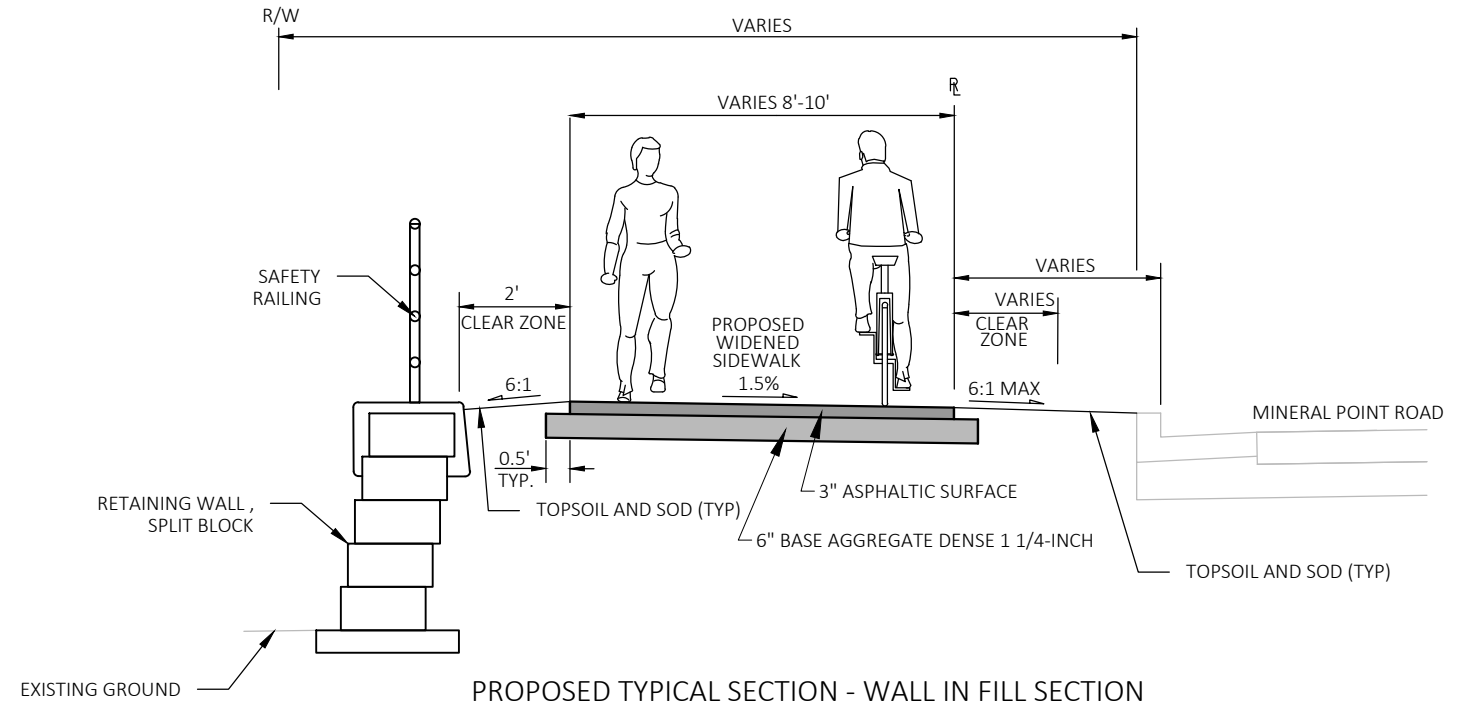
PROJECT OVERVIEW  
 MINERAL POINT ROAD WIDENED SIDEWALK  
 CITY OF MADISON

60631225P

0-1

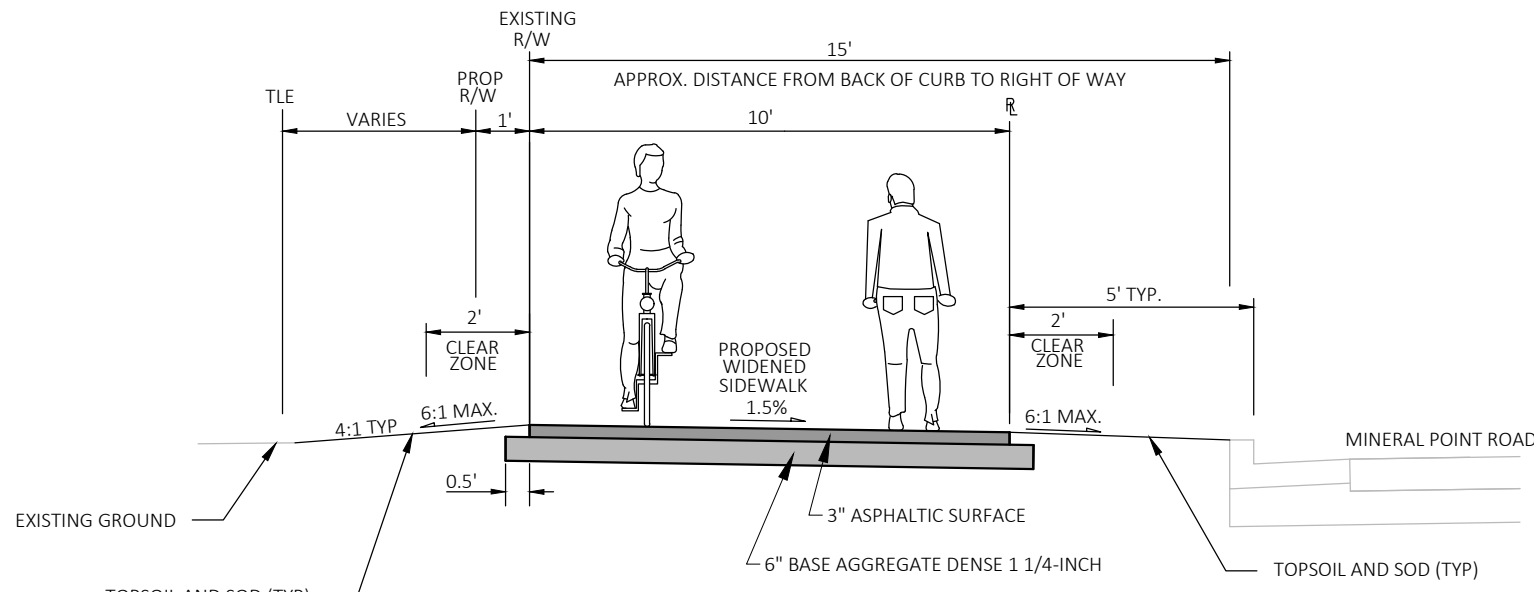


**PROPOSED TYPICAL SECTION- 8' SIDEWALK**  
**MINERAL POINT ROAD**  
 USH 14 TO WHITNEY WAY  
 STA. 67MP+50 - STA. 199MP+50  
 VARIOUS LOCATIONS



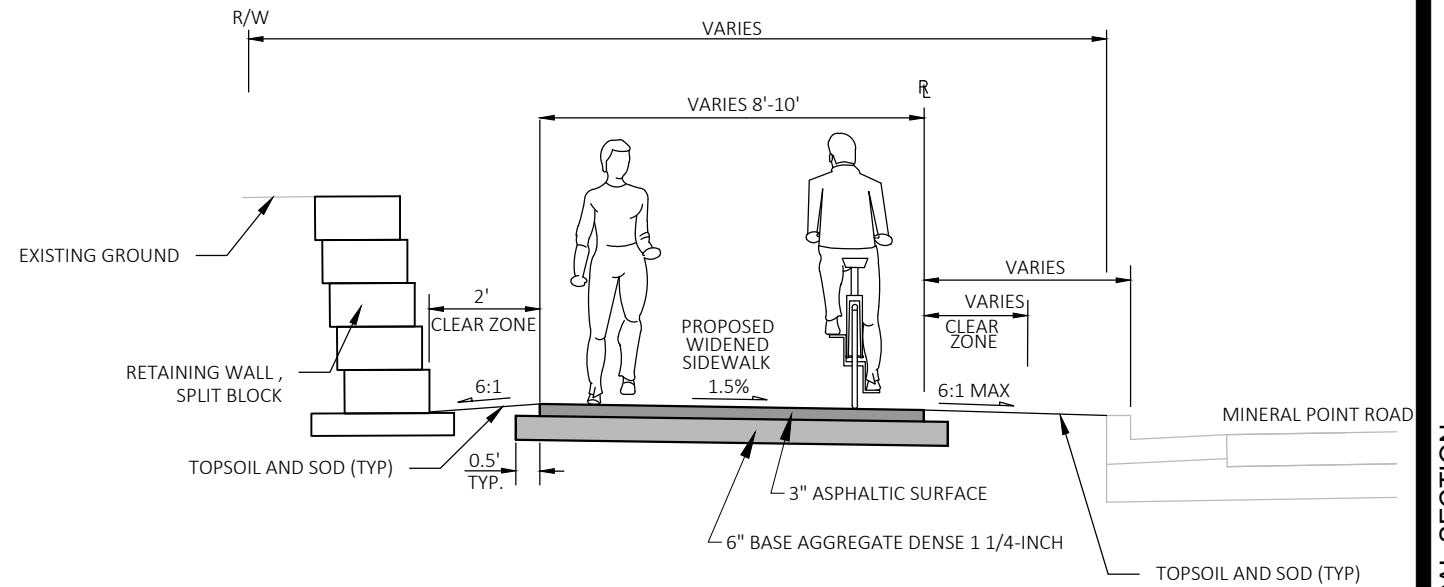
**PROPOSED TYPICAL SECTION - WALL IN FILL SECTION**  
**MINERAL POINT ROAD**  
 USH 14 TO WHITNEY WAY  
 STA. 67MP+50 - STA. 199MP+50  
 VARIOUS LOCATIONS

NOTE:  
 BACK OF 8' MULTI-USE PATH TYPICALLY LOCATED AT BACK OF EXISTING SIDEWALK.



**PROPOSED TYPICAL SECTION - 10' SIDEWALK**  
**MINERAL POINT ROAD**  
 USH 14 TO WHITNEY WAY  
 STA. 67MP+50 - STA. 199MP+50

NOTE:  
 FRONT OF 10' MULTI-USE PATH TYPICALLY LOCATED AT FRONT OF EXISTING SIDEWALK.



**PROPOSED TYPICAL SECTION - WALL IN CUT SECTION**  
**MINERAL POINT ROAD**  
 USH 14 TO WHITNEY WAY  
 STA. 67MP+50 - STA. 199MP+50  
 VARIOUS LOCATIONS

MARK	REVISION	DATE	BY
	Designed By: AECOM	2022-03-24	
	60631225P		

60631225P  
 CITY OF MADISON, DANE COUNTY, WI  
 CONTRACT NO: 60631225C

TYPICAL SECTION  
 MINERAL POINT ROAD WIDENED SIDEWALK  
 CITY OF MADISON



60631225P

TS-1