



# CITY OF MADISON LANDSCAPE WORKSHEET

Section 28.142 Madison General Ordinance

Project Location / Address Huxley Street  
 Name of Project The Heritage  
 Owner / Contact MSP Real Estate, Inc.  
 Contact Phone 414-259-2108 Contact Email mhammond@msphousing.com

**\*\* Landscape plans for zoning lots greater than ten thousand (10,000) square feet in size MUST be prepared by a registered landscape architect. \*\***

### Applicability

The following standards apply to all exterior construction and development activity, including the expansion of existing buildings, structures and parking lots, except the construction of detached single-family and two-family dwellings and their accessory structures. The entire development site must be brought up to compliance with this section unless all of the following conditions apply, in which case only the affected areas need to be brought up to compliance:

- (a) The area of site disturbance is less than ten percent (10%) of the entire development site during any ten-(10) year period.
- (b) Gross floor area is only increased by ten percent (10%) during any ten-(10) year period.
- (c) No demolition of a principal building is involved.
- (d) Any displaced landscaping elements must be replaced on the site and shown on a revised landscaping plan.

### Landscape Calculations and Distribution

Required landscaped areas shall be calculated based upon the total developed area of the property. Developed area is defined as that area within a single contiguous boundary which is made up of structures, parking, driveways and docking/loading facilities, but excluding the area of any building footprint at grade, land designated for open space uses such as athletic fields, and undeveloped land area on the same zoning lot. There are three methods for calculating landscape points depending on the size of the lot and Zoning District.

- (a) For all lots except those described in (b) and (c) below, five (5) landscape points shall be provided for each three hundred (300) square feet of developed area.

Total square footage of developed area 76,686

Total landscape points required 1,279

- (b) For lots larger than five (5) acres, points shall be provided at five (5) points per three hundred (300) square feet for the first five (5) developed acres, and one (1) point per one hundred (100) square feet for all additional acres.

Total square footage of developed area \_\_\_\_\_

Five (5) acres = 217,800 square feet

First five (5) developed acres = 3,630 points

Remainder of developed area \_\_\_\_\_

Total landscape points required \_\_\_\_\_

- (c) For the Industrial – Limited (IL) and Industrial – General (IG) districts, one (1) point shall be provided per one hundred (100) square feet of developed area.

Total square footage of developed area \_\_\_\_\_

Total landscape points required \_\_\_\_\_

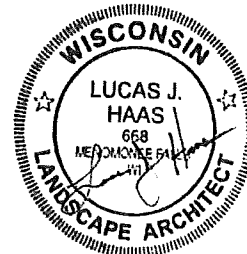
**Tabulation of Points and Credits**

Use the table to indicate the quantity and points for all existing and proposed landscape elements.

Plant Type/ Element	Minimum Size at Installation	Points	Credits/ Existing Landscaping		New/ Proposed Landscaping	
			Quantity	Points Achieved	Quantity	Points Achieved
Overstory deciduous tree	2½ inch caliper measured diameter at breast height (dbh)	35			24	840
Tall evergreen tree (i.e. pine, spruce)	5-6 feet tall	35	8	280		
Ornamental tree	1 1/2 inch caliper	15			3	45
Upright evergreen shrub (i.e. arborvitae)	3-4 feet tall	10			3	30
Shrub, deciduous	#3 gallon container size, Min. 12"-24"	3			245	735
Shrub, evergreen	#3 gallon container size, Min. 12"-24"	4			82	328
Ornamental grasses/ perennials	#1 gallon container size, Min. 8"-18"	2			125	250
Ornamental/ decorative fencing or wall	n/a	4 per 10 lineal ft.			145 LF	58
Existing significant specimen tree	Minimum size: 2 ½ inch caliper dbh. *Trees must be within developed area and cannot comprise more than 30% of total required points.	14 per caliper inch dbh. Maximum points per tree: 200				
Landscape furniture for public seating and/or transit connections	* Furniture must be within developed area, publically accessible, and cannot comprise more than 5% of total required points.	5 points per "seat"				
<b>Sub Totals</b>				280		2,286

**Total Number of Points Provided** 2,566

\* As determined by ANSI, ANLA- American standards for nursery stock. For each size, minimum plant sizes shall conform to the specifications as stated in the current American Standard for Nursery Stock.





Color: Bronze

Weight: 33.4 lbs

**Project:**  
MSP HERITAGE  
HUXLEY

**Type:**  
OA

**Prepared By:**

**Date:**

**Driver Info**

Type	Constant Current
120V	0.66A
208V	0.41A
240V	0.35A
277V	0.30A
Input Watts	75.90W
Efficiency	N/A

**LED Info**

Watts	78.00W
Color Temp	4000K (Neutral)
Color Accuracy	72 CRI
L70 Lifespan	100,000
Lumens	8,941
Efficacy	117.8 LPW

## Technical Specifications

### Listings

**UL Listing:**

Suitable for wet locations as a downlight

**DLC Listed:**

This product is on the Design Lights Consortium (DLC) Qualified Products List and is eligible for rebates from DLC Member Utilities. DLC Product Code: P0000179U

**IESNA LM-79 & IESNA LM-80 Testing:**

RAB LED luminaires and LED components have been tested by an independent laboratory in accordance with IESNA LM-79 and LM-80.

**Dark Sky Conformance:**

Conforms to (allows for conformance to) the IDA's fully shielding requirement, emitting no light above 90 degrees (with the exclusion of incidental light reflecting from fixture housing, mounts, and pole).

### LED Characteristics

**Lifespan:**

100,000-hour LED lifespan based on IES LM-80 results and TM-21 calculations

**LEDs:**

Six (6) multi-chip, 13W, high-output, long-life LEDs

**Color Consistency:**

3-step MacAdam Ellipse binning to achieve consistent fixture-to-fixture color

**Color Stability:**

LED color temperature is warranted to shift no more than 200K in CCT over a 5-year period

**Color Uniformity:**

RAB's range of CCT (Correlated Color Temperature) follows the guidelines of the American National Standard for Specifications for the Chromaticity of Solid State Lighting (SSL) Products, ANSI C78.377-2017.

### Construction

**IES Classification:**

The Type III distribution is ideal for roadway, general parking, and other area lighting applications where a larger pool of lighting is required. It is intended to be located near the side of the area, allowing the light to project outward and fill the area.

**Ambient Temperature:**

Suitable For use in 40°C (104°F)

**Cold Weather Starting:**

Minimum starting temperature is -40°C (-40°F)

**Thermal Management:**

Superior heat sinking with external Air-Flow fins

**Effective Projected Area:**

EPA = 0.75

**Lens:**

Tempered glass lens

**Housing:**

Die-cast aluminum housing, lens frame and mounting arm

**IP Rating:**

Ingress Protection rating of IP66 for dust and water

**Mounting:**

Universal mounting arm compatible for hole spacing patterns from 1" to 5 1/2" center to center. Round Pole Adaptor plate included as a standard. Easy slide and lock to mount fixture with ease. Round pole diameter must be >4" to mount fixtures at 90° orientation.

**Reflector:**

Specular vacuum-metallized polycarbonate

## Technical Specifications (continued)

### Construction

#### Gaskets:

High-temperature silicone gaskets

#### Finish:

Formulated for high durability and long-lasting color

#### Green Technology:

Mercury and UV free. RoHS-compliant components.

### Electrical

#### Driver:

Constant Current, Class 2, 2000mA, 100-277V, 50-60Hz, 1.1A, Power Factor 99%

#### THD:

5.2% at 120V, 13.6% at 277V

#### Power Factor:

99.5% at 120V, 93.7% at 277V

#### Surge Protection:

4kV

#### Other

#### Patents:

The ALED design is protected by patents in the U.S. Pat. 668,370, Canada Pat. 144956, China ZL201230100154.X, and Mexico Pat. 38423. Pending patents in Taiwan.

#### BAA Compliance:

Click [here](#) for BAA compliance.

#### Warranty:

RAB warrants that our LED products will be free from defects in materials and workmanship for a period of five (5) years from the date of delivery to the end user, including coverage of light output, color stability, driver performance and fixture finish. RAB's warranty is subject to all terms and conditions found at [rablighting.com/warranty](http://rablighting.com/warranty).

#### Equivalency:

Equivalent to 250W Metal Halide

#### Buy American Act Compliance:

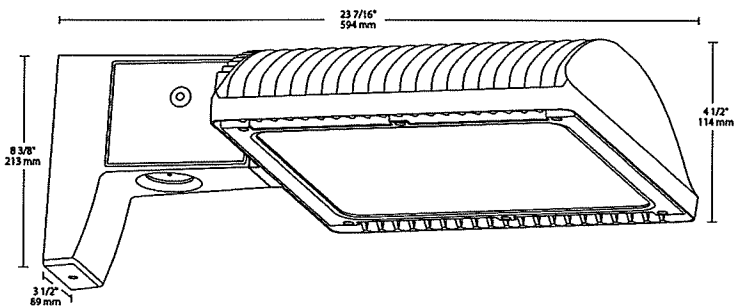
RAB values USA manufacturing! Upon request, RAB may be able to manufacture this product to be compliant with the Buy American Act (BAA). Please contact customer service to request a quote for the product to be made BAA compliant.

#### Optical

#### BUG Rating:

B1 U0 G2

## Dimensions



## Features

- 66% energy cost savings vs. HID
- 100,000-hour LED lifespan
- 5-Year, No-Compromise Warranty

## Ordering Matrix

Family	Optics	Wattage	Mounting	Color Temp	Finish	Driver Options	Options	Other Options
<b>ALED</b>	<b>3T</b>	<b>78</b>		<b>N</b>				
	<b>4T = Type IV</b> <b>3T = Type III</b> <b>2T = Type II</b>	<b>50 = 50W</b> <b>78 = 78W</b> <b>105 = 105W</b> <b>125 = 125W</b> <b>150 = 150W</b>	<b>Blank = Pole mount</b> <b>SF = Slipfitter</b>	<b>Blank = 5000K (Cool)</b> <b>N = 4000K (Neutral)</b> <b>Y = 3000K (Warm)</b>	<b>Blank = Bronze</b> <b>RG = Roadway Gray</b> <b>W = White</b> <b>K = Black</b>	<b>Blank = 120-277V</b> <b>/480 = 480V</b> <b>/BL = Bi-Level Dimming</b> <b>/D10 = 0-10V Dimming</b>	<b>Blank = No Option</b> <b>/LC = Lightcloud® Controller</b> <b>/PCS = 120V Swivel Photocell</b> <b>/PCS2 = 277V Swivel Photocell</b> <b>/PCT = 120-277V Twistlock Photocell</b> <b>/PCS4 = 480V Swivel Photocell</b> <b>/PCT4 = 480V Twistlock Photocell</b> <b>/WS = Multi-Level Motion Sensor</b> <b>/WS2 = Multi-Level Motion Sensor 20 ft.</b> <b>/WS4 = Multi-Level Motion Sensor 40 ft.</b>	<b>Blank = Standard USA = BAA Compliant</b>



Color: Bronze

Weight: 32.0 lbs

Project:

MSP HERITAGE  
HUXLEY

Type:

OA2

Prepared By:

Date:

### Driver Info

Type	Constant Current
120V	0.46A
208V	0.27A
240V	0.23A
277V	0.20A
Input Watts	54.74W
Efficiency	91%

### LED Info

Watts	50.00W
Color Temp	4000K (Neutral)
Color Accuracy	72 CRI
L70 Lifespan	100,000
Lumens	7,256
Efficacy	132.6 LPW

## Technical Specifications

### Listings

#### UL Listing:

Suitable for wet locations as a downlight

#### DLC Listed:

This product is on the Design Lights Consortium (DLC) Qualified Products List and is eligible for rebates from DLC Member Utilities. DLC Product Code: P0000178X

#### IESNA LM-79 & IESNA LM-80 Testing:

RAB LED luminaires and LED components have been tested by an independent laboratory in accordance with IESNA LM-79 and LM-80.

#### Dark Sky Conformance:

Conforms to (allows for conformance to) the IDA's fully shielding requirement, emitting no light above 90 degrees (with the exclusion of incidental light reflecting from fixture housing, mounts, and pole).

### LED Characteristics

#### Lifespan:

100,000-hour LED lifespan based on IES LM-80 results and TM-21 calculations

#### LEDs:

Multi-chip, high-output, long-life LEDs

#### Color Consistency:

3-step MacAdam Ellipse binning to achieve consistent fixture-to-fixture color

#### Color Stability:

LED color temperature is warranted to shift no more than 200K in CCT over a 5-year period

#### Color Uniformity:

RAB's range of CCT (Correlated Color Temperature) follows the guidelines of the American National Standard for Specifications for the Chromaticity of Solid State Lighting (SSL) Products, ANSI C78.377-2017.

### Construction

#### IES Classification:

The Type IV distribution (also known as a Forward Throw) is especially suited for mounting on the sides of buildings and walls, and for illuminating the perimeter of parking areas. It produces a semiCircular distribution with essentially the same candlepower at lateral angles from 90° to 270°.

#### Effective Projected Area:

EPA = 0.75

#### IP Rating:

Ingress Protection rating of IP66 for dust and water

#### Ambient Temperature:

Suitable For use in 40°C (104°F)

#### Cold Weather Starting:

Minimum starting temperature is -40°C (-40°F)

#### Thermal Management:

Superior thermal management design with external Air-Flow fins provides maximum operational life, even in high ambient temperature environments

#### Housing:

Die-cast aluminum housing, lens frame and mounting arm

#### Mounting:

Universal mounting arm compatible for hole spacing patterns from 1" to 5 1/2" center to center. Round Pole Adaptor plate included as a standard. Easy slide and lock to mount fixture with ease. Round pole diameter must be >4" to mount fixtures at 90° orientation.

#### Reflector:

Specular vacuum-metallized polycarbonate

#### Gaskets:

High-temperature silicone gaskets

## Technical Specifications (continued)

### Construction

#### Finish:

Formulated for high durability and long-lasting color

#### Green Technology:

Mercury and UV free. RoHS-compliant components.

### Electrical

#### Driver:

Constant Current, Class 2, 1400mA, 100-277V, 50-60Hz, 0.8A, Power Factor 99%

#### THD:

6.1% at 120V, 9.4% at 277V

#### Power Factor:

99.6% at 120V, 96% at 277V

#### Surge Protection:

6kV surge suppression protection tested in accordance with IEEE/ANSI C62.41.2.

### Other

#### Patents:

The ALED™ design is protected by patents pending in the U.S., Canada, China, Taiwan and Mexico.

#### BAA Compliance:

Click [here](#) for BAA compliance.

### Warranty:

RAB warrants that our LED products will be free from defects in materials and workmanship for a period of five (5) years from the date of delivery to the end user, including coverage of light output, color stability, driver performance and fixture finish. RAB's warranty is subject to all terms and conditions found at [rablighting.com/warranty](http://rablighting.com/warranty).

### Equivalency:

Replaces 200W Metal Halide

### Buy American Act Compliance:

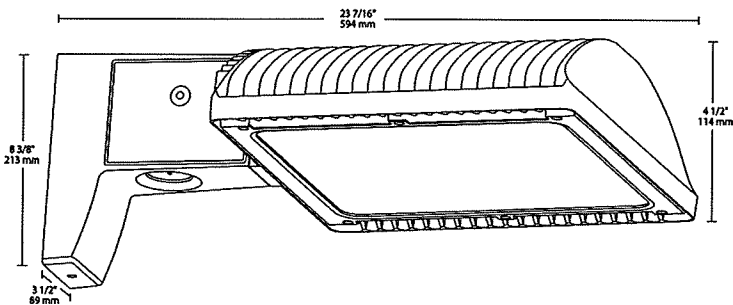
RAB values USA manufacturing! Upon request, RAB may be able to manufacture this product to be compliant with the Buy American Act (BAA). Please contact customer service to request a quote for the product to be made BAA compliant.

### Optical

#### BUG Rating:

B0 U0 G1

## Dimensions



## Features

- 66% energy cost savings vs. HID
- 100,000-hour LED lifespan
- 5-Year, No-Compromise Warranty

## Ordering Matrix

Family	Optics	Wattage	Mounting	Color Temp	Finish	Driver Options	Options	Other Options
<b>ALED</b>	<b>4T</b>	<b>50</b>		<b>N</b>				
	<b>4T = Type IV</b> <b>3T = Type III</b> <b>2T = Type II</b>	<b>50 = 50W</b> <b>78 = 78W</b> <b>105 = 105W</b> <b>125 = 125W</b> <b>150 = 150W</b>	<b>Blank = Pole mount</b> <b>SF = Slipfitter</b>	<b>Blank = 5000K (Cool)</b> <b>N = 4000K (Neutral)</b> <b>Y = 3000K (Warm)</b>	<b>Blank = Bronze</b> <b>RG = Roadway Gray</b> <b>W = White</b> <b>K = Black</b>	<b>Blank = 120-277V</b> <b>/480 = 480V</b> <b>/BL = Bi-Level Dimming</b> <b>/D10 = 0-10V Dimming</b>	<b>Blank = No Option</b> <b>/LC = Lightcloud® Controller</b> <b>/PCS = 120V Swivel Photocell</b> <b>/PCS2 = 277V Swivel Photocell</b> <b>/PCT = 120-277V Twistlock Photocell</b> <b>/PCS4 = 480V Swivel Photocell</b> <b>/PCT4 = 480V Twistlock Photocell</b> <b>/WS = Multi-Level Motion Sensor</b> <b>/WS2 = Multi-Level Motion Sensor 20 ft.</b> <b>/WS4 = Multi-Level Motion Sensor 40 ft.</b>	<b>Blank = Standard USA = BAA Compliant</b>





LED bollard with architectural quality and strength at an affordable price point. Cylindrical post with round head. Available in 4 light pattern configurations including 360° (24W), 270°(18W), 180°(12W option) & 90°(12W standard).

Color: Bronze

Weight: 22.1 lbs

Project:

MSP HERITAGE  
HUXLEY

Type:

OB

Prepared By:

Date:

### Driver Info

Type	Constant Current
120V	0.26A
208V	0.18A
240V	0.15A
277V	0.14A
Input Watts	23.30W
Efficiency	N/A

### LED Info

Watts	24.00W
Color Temp	4000K (Neutral)
Color Accuracy	72 CRI
L70 Lifespan	100,000
Lumens	2,577
Efficacy	110.6 LPW

## Technical Specifications

### Listings

#### UL Listing:

Suitable for wet locations. Suitable for mounting within 4 ft. (1.2m) of the ground.

#### IESNA LM-79 & IESNA LM-80 Testing:

RAB LED luminaires and LED components have been tested by an independent laboratory in accordance with IESNA LM-79 and LM-80.

#### DLC Listed:

This product is on the Design Lights Consortium (DLC) Qualified Products List and is eligible for rebates from DLC Member Utilities. DLC Product Code: PJXRFB8V

### LED Characteristics

#### LEDs:

Long-life, high-efficiency, surface-mount LEDs

#### Lifespan:

100,000-hour LED lifespan based on IES LM-80 results and TM-21 calculations

#### Color Consistency:

5-step MacAdam Ellipse binning to achieve consistent fixture-to-fixture color

#### Color Stability:

LED color temperature is warranted to shift no more than 200K in CCT over a 5-year period

#### Color Uniformity:

RAB's range of CCT (Correlated Color Temperature) follows the guidelines of the American National Standard for Specifications for the Chromaticity of Solid State Lighting (SSL) Products, ANSI C78.377-2017

#### Optical

#### BUG Rating:

B2 U3 G2

#### Construction

#### Cold Weather Starting:

Minimum starting temperature is -40°C (-40°F)

#### Thermal Management:

Cast aluminum Thermal Management system for optimal heat sinking. The BLEED is designed for cool operation, maximum efficiency and long life by minimizing LED junction temperature.

#### Housing:

Die-cast aluminum with extruded aluminum post

#### Lens:

Frosted vandal resistant polycarbonate

#### Reflector:

Vacuum-metalized polycarbonate

#### Mounting:

Four (4) anchor bolts provided for concrete pad mounting. Internal base support has leveling screws.

#### Gaskets:

High-temperature silicone gaskets seal out moisture gaskets seal out moisture

#### Anchor Bolt:

Anchor Bolt Dimension is available [here](#).

#### Finish:

Our environmentally friendly polyester powder coatings are formulated for high-durability and long-lasting color

#### Green Technology:

Mercury and UV free. RoHS-compliant components.

## Technical Specifications (continued)

### Other

#### Patents:

The design of BLEDR is protected by patents in US, Canada & China

#### Replacement:

Replaces up to 50W Metal Halide

#### Warranty:

RAB warrants that our LED products will be free from defects in materials and workmanship for a period of five (5) years from the date of delivery to the end user, including coverage of light output, color stability, driver performance and fixture finish. RAB's warranty is subject to all terms and conditions found at [rablighting.com/warranty](http://rablighting.com/warranty).

### Buy American Act Compliance:

RAB values USA manufacturing! Upon request, RAB may be able to manufacture this product to be compliant with the Buy American Act (BAA). Please contact customer service to request a quote for the product to be made BAA compliant.

### Electrical

#### Driver:

Constant Current, Class 2, 100-277V, 50/60 Hz, 4kV Surge Protection, 720mA, 120V: 0.26A, 208V: 0.18A, 240V: 0.15A, 277V: 0.14A

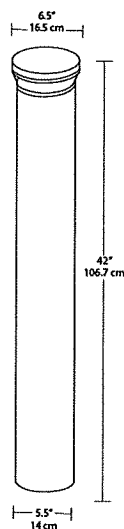
#### THD:

12.2% at 120V, 12.3% at 277V

### Power Factor:

98.7% at 120V, 91.7% at 277V

## Dimensions



## Features

- Patented base mount design for super sturdy installation
- Durable construction and frosted vandal-resistant polycarbonate lens
- 4 configurations to provide 360°(24W), 270°(18W), 180°(12W) or 90°(12W) lighting pattern
- Precision-engineered optics deliver maximum downward lighting without glare
- Four leveling screws provided for easy installation
- 100,000-hour LED lifespan

## Ordering Matrix

Family	Wattage	Color Temp	Finish	Distribution	Voltage	Dimming	Backup
BLEDR	24	N	-				
	12 = 12W 18 = 18W 24 = 24W	Blank = 5000K (Cool) N = 4000K (Neutral) Y = 3000K (Warm)	Blank = Bronze W = White K = Black	Blank = Standard 180 = 180 degrees (12W only)	Blank = No Option (120-277V) /480 = 480V (24W only)	Blank = None (Standard) /D10 = 0-10V Dimming	Blank = No Battery Backup /E = Battery Backup (24W only) /EC = Battery Backup Cold Weather (24W only)



6" new construction LED downlight for ceilings with insulation  
Weight: 6.75 lbs

**Project:**  
MSP HERITAGE  
HUXLEY

**Type:**  
OC

**Prepared By:**  
[ ]

**Date:**  
[ ]

**Driver Info**

Type	LED
120V	0.17A
208V	0.11A
240V	0.10A
277V	0.09A
Input Watts	20.486W
Efficiency	98%

**LED Info**

Watts	20WW
Color Temp	4000K
Color Accuracy	82 CRI
L70 Lifespan	50,000
Lumens	1856
Efficacy	90.6 LPW

**Technical Specifications**

**Listings**

**UL Listed:**

Suitable for wet locations covered ceiling

**ENERGY STAR V2.0:**

This product is ENERGY STAR® Version 2.0 Certified.

**Construction**

**Housing:**

Professional-grade, die-cast aluminum construction

**Trim Ring:**

White powder coated die cast trim ring

**Trim Cone:**

White round trim cone

**Drop Ceiling Installation:**

NDLED can be installed in drop ceiling tiles when using optional c-channel bars and following local construction codes

**Aperture Size:**

6" Trim Module

**Easy Installation:**

The EZ-Connector makes installation easy

**Junction Box:**

Integral junction box with wiring capacity for Min 90°C supply conductors 4 in 4 out

**Air Tight:**

Housing certified Air Tight as per ASTM E283

**IC Rating:**

Suitable for direct contact with insulation

**Insulation Contact (IC):**

Allows direct contact with insulation or keep insulation 3" from fixture at all times

**Ambient Temperature:**

Suitable For use in 40°C (104°F)

**Cold Weather Starting:**

Minimum starting temperature is -40°C (-40°F)

**Aperture Size:**

6" Rough-In

**Mounting:**

Housing includes nailer bars and butterfly brackets. Brackets also accommodate mounting with 1/4" to 1/2" bar stock, C channel or 1/2" conduit.

**Easy Installation:**

The EZConnector makes installation easy

**Thermal Protector:**

Thermal protector included. Disables power if temperature exceeds safe operation levels.

**Electrical**

**Dimming:**

Dimmable. Requires rough-in with dimming driver.

## Technical Specifications (continued)

### Electrical

#### Dimming Driver:

0 - 10V (at 120-277V), TRIAC and ELV (at 120V only). See [dimmer compatibility guide here](#).

#### Driver:

ELV, 0-10V and TRIAC Dimming, Constant Current, Class 2, 120V-277V, 50/60Hz, Power Factor 98%, THD ≤ 20%

### Optical

#### Optics:

80° beam spread with specular thermoplastic optics and Nanostructure lens technology for smooth light output and high efficiency

### LED Characteristics

#### Color Consistency:

3-step MacAdam Ellipse binning to achieve consistent fixture-to-fixture color

### Other

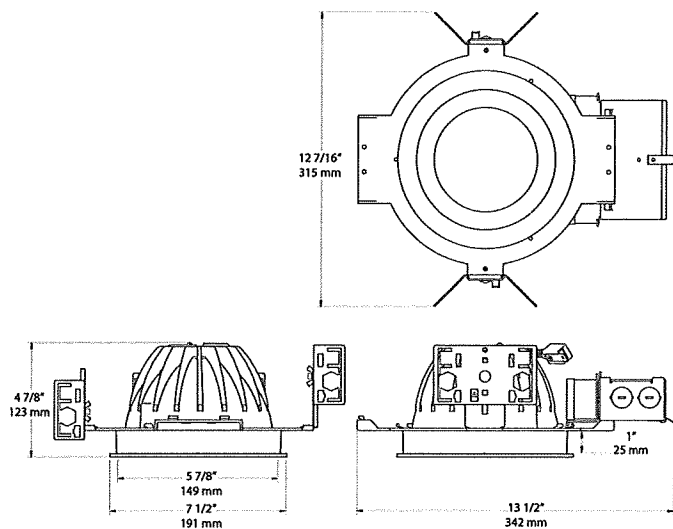
#### Warranty:

RAB warrants that our LED products will be free from defects in materials and workmanship for a period of five (5) years from the date of delivery to the end user, including coverage of light output, color stability, driver performance and fixture finish. RAB's warranty is subject to all terms and conditions found at [rablighting.com/warranty](http://rablighting.com/warranty).

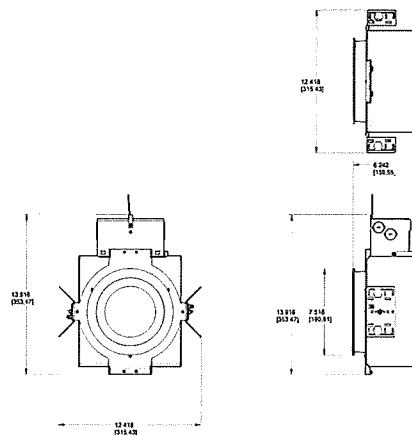
#### Equivalency:

Equivalent to 100W PAR

### Dimensions: NDLED6RD-80N-W-W



### Dimensions: NDIC6R20D





12, 18 and 26 Watt SLIM wall packs are ultra efficient and deliver impressive light distribution with a compact low-profile design that's super easy to install as a downlight or uplight.

Color: Bronze

Weight: 4.2 lbs

**Project:**  
MSP HERITAGE  
HUXLEY

**Type:**  
OW

**Prepared By:**

**Date:**

### Driver Info

Type	Constant Current
120V	0.12A
208V	0.08A
240V	0.07A
277V	0.06A
Input Watts	15.90W
Efficiency	75%

### LED Info

Watts	12.00W
Color Temp	4000K (Neutral)
Color Accuracy	74 CRI
L70 Lifespan	100,000
Lumens	1,925
Efficacy	121.1 LPW

## Technical Specifications

### Listings

#### UL Listing:

Suitable for wet locations. Suitable for mounting within 1.2m (4ft) of the ground.

#### ADA Compliant:

SLIM™ is ADA Compliant

#### IESNA LM-79 & LM-80 Testing:

RAB LED luminaires and LED components have been tested by an independent laboratory in accordance with IESNA LM-79 and LM-80.

#### DLC Listed:

This product is listed by Design Lights Consortium (DLC) as an ultra-efficient premium product that qualifies for the highest tier of rebates from DLC Member Utilities. DLC Product Code: PGJBD3AQ

### Construction

#### IP Rating:

Ingress Protection rating of IP66 for dust and water

#### Cold Weather Starting:

Minimum starting temperature is -40°C (-40°F)

#### Maximum Ambient Temperature:

Suitable for use in 40°C (104°F)

#### Housing:

Precision die-cast aluminum housing

#### Mounting:

Heavy-duty mounting bracket with hinged housing for easy installation

#### Recommended Mounting Height:

Up to 8 ft

#### Lens:

Tempered glass lens

#### Reflector:

Specular thermoplastic

#### Gaskets:

High-temperature silicone

#### Finish:

Formulated for high durability and long-lasting color

#### Green Technology:

Mercury and UV free. RoHS-compliant components.

### LED Characteristics

#### LED:

Multi-chip, long-life LED

#### Lifespan:

100,000-hour LED lifespan based on IES LM-80 results and TM-21 calculations

#### Color Consistency:

3-step MacAdam Ellipse binning to achieve consistent fixture-to-fixture color

#### Color Stability:

LED color temperature is warranted to shift no more than 200K in CCT over a 5-year period

## Technical Specifications (continued)

### LED Characteristics

#### Color Uniformity:

RAB's range of CCT (Correlated Color Temperature) follows the guidelines for the American National Standard for Specifications for the Chromaticity of Solid State Lighting (SSL) Products, ANSI C78.377-2017.

#### Other

#### Patents:

The design of the SLIM™ is protected by patents in U.S. Pat D681,864, and pending patents in Canada, China, Taiwan and Mexico.

#### HID Replacement Range:

Replaces 70W Metal Halide

### Warranty:

RAB warrants that our LED products will be free from defects in materials and workmanship for a period of five (5) years from the date of delivery to the end user, including coverage of light output, color stability, driver performance and fixture finish. RAB's warranty is subject to all terms and conditions found at [rablighting.com/warranty](http://rablighting.com/warranty).

### Buy American Act Compliance:

RAB values USA manufacturing! Upon request, RAB may be able to manufacture this product to be compliant with the Buy American Act (BAA). Please contact customer service to request a quote for the product to be made BAA compliant.

### Optical

#### BUG Rating:

B1 U0 G0

### Electrical

#### Driver:

Constant Current, Class 2, 100-277V, 50/60 Hz., 4KV surge protection, 120V: 0.14A, 208V: 0.08A, 240V: 0.07A, 277V: 0.06A

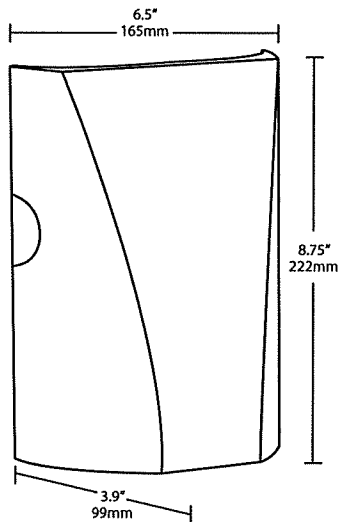
#### THD:

7.7% at 120V, 13.3% at 277V

#### Power Factor:

99.4% at 120V, 95.4% at 277V

## Dimensions



## Features

- Full cutoff, fully shielded LED wall pack
- Can be used as a downlight or uplight
- Contractor friendly features for easy installation
- 100,000-hour LED Life
- 5-Year, No-Compromise Warranty

## Ordering Matrix

Family	Wattage	Color Temp	Finish	Driver	Options
SLIM	12	N			
	12 = 12W 18 = 18W 26 = 26W	Blank = 5000K (Cool) N = 4000K (Neutral) Y = 3000K (Warm)	Blank = Bronze W = White	Blank = Standard (120-277V) /D10 = Dimmable	Blank = No Option /PC = 120V Button /PC2 = 277V Button /LC = Lightcloud® Controller