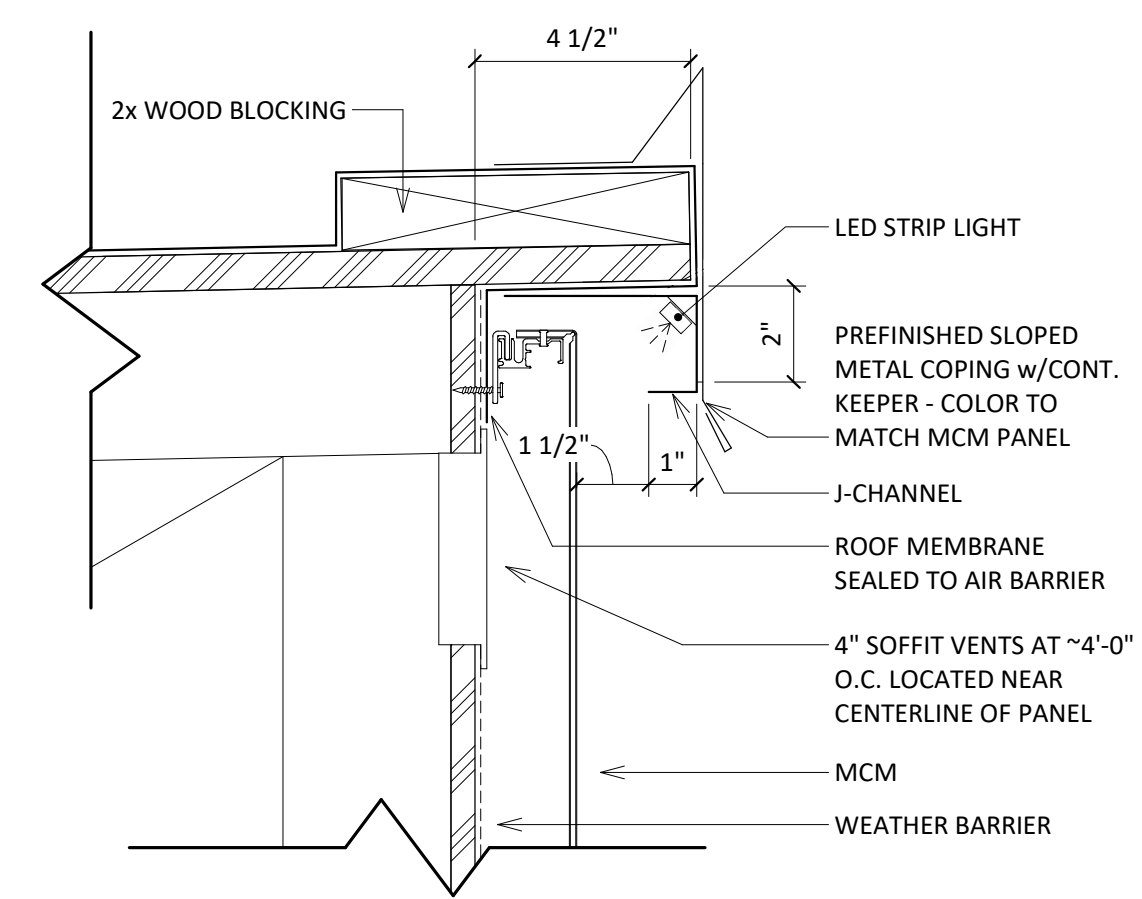
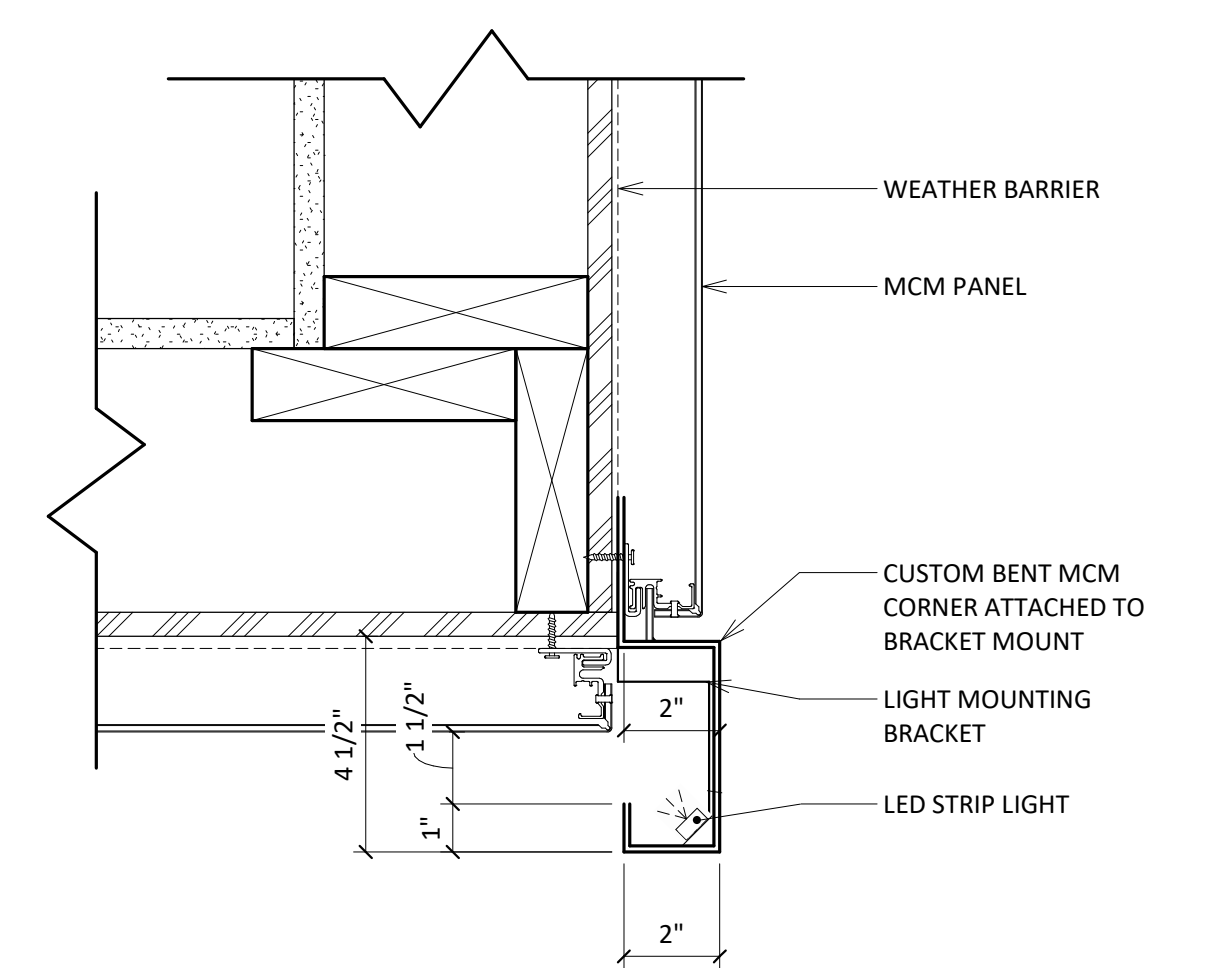




Current View

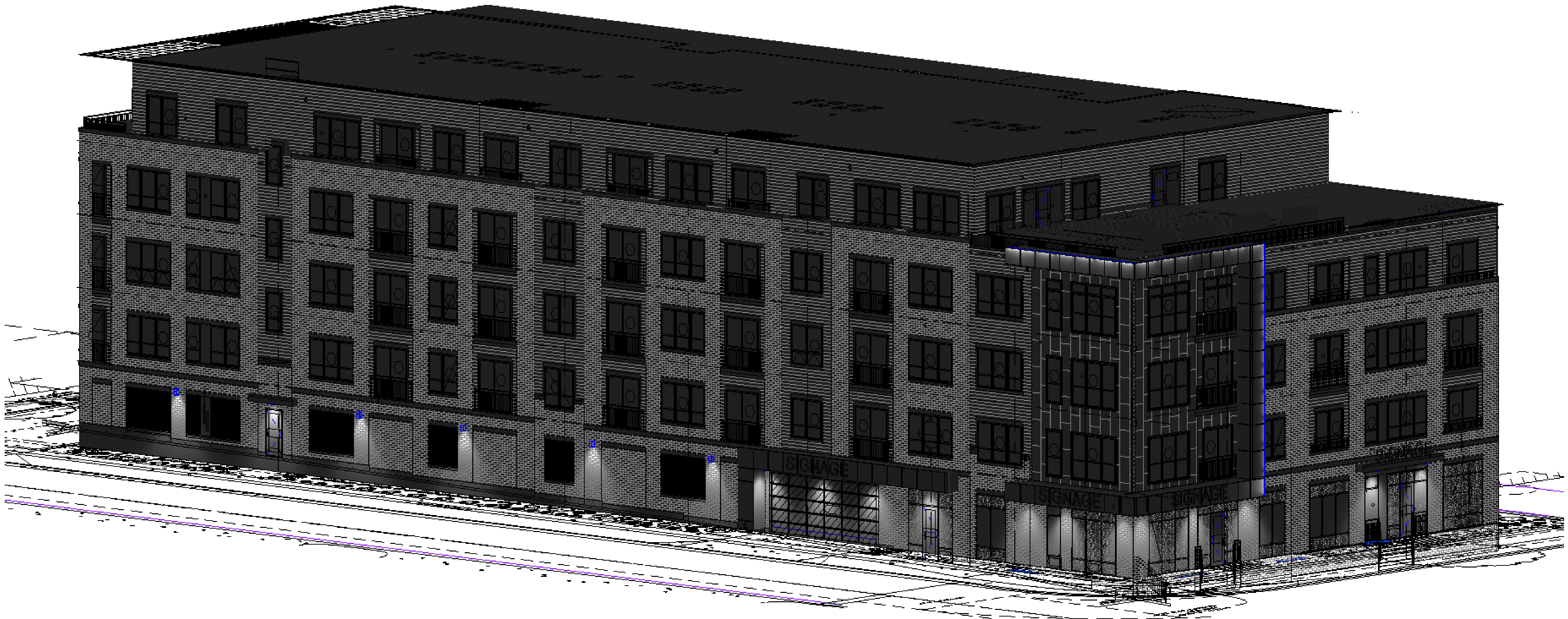


24
A406 HORIZONTAL ACCENT LIGHTING AT 5TH FLOOR EYEBROWS
3" = 1'-0"



26
A406 VERTICAL ACCENT LIGHTING AT MCM CORNER
3" = 1'-0"

SMOKY'S
NORTH ELEVATION PHOTOMETRICS



Current View

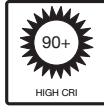
SMOKY'S
NORTHEAST ELEVATION PHOTOMETRICS



SMOKY'S CLUB REDEVELOPMENT

3003, 3007 UNIVERSITY AVE. MADISON, WI
EXTERIOR LIGHTING RENDER





Item # _____

Project _____



INFINILINE [®]	
Voltage/Wattage	120VAC / 3.7W/ft.
Lumens¹	2700K 289 Lm/ft.
	3000K 300 Lm/ft.
	3500K 308 Lm/ft.
	4200K 351 Lm/ft.
Max. Run²	164 feet
Custom Produced	See Page 2
LED Chips	21/foot
CRI	90+
Field Cuttable	No
Dimensions	0.63 x 0.31 in. (W x H)
Environment	Outdoor / Wet Location / IP65
Certification	UL Listed (US), ETL Listed (Canada)
Dimmable	Yes (Hardwire only), down to 10% using Lutron DVELV-300P, NTELV-300, or NTF-10 Dimmers
Warranty	5-Year Standard, 2-Year Deep Cold ³

SPECIFICATIONS

- LED Chip Type: 2835
- LED Chip Beam Angle: 120°
- Luminous Efficacy⁴ (lm/w): ~80-90
- Mounting: Mounting Clips / Mounting Channel
- Connections⁵: 60 in. Plug-In, 15 ft. Hardwired
- Ambient Temp⁶: -43 ~ 122°F (-42 ~ 50°C) (Control system must be used to turn on lights when temperature drops below -5°F³)
- Environment⁸: Outdoor / Wet location / Indoor / Deep Cold³
- UV Resistance: Yes but may still degrade over time
- Jacket Material: PVC, UL94 5VA Rated

COMPLIANCE & REGULATORY APPROVALS

Safety

- UL Listed 2388 Flexible Lighting Products. File # E470197
- UL Listed 1598 Surface Mount Luminaires. File # E503268
- ETL Certified, Canada - UL std. 1598 Surface Mount Luminaires (Hardwired only)

SKU Builder

DI	-	120V	-	INFBSC3	-		-		-	
		Voltage		Model		Color Temp		Connection		SKU Length
						27 (2700K)		- (Plug-In)		SEE PAGE 2
						30 (3000K)		H (Hardwire)		MTCL (Mounting Clips)
						35 (3500K)				RTCL* (Rotating Mounting Clips)
						42 (4200K)				MTCH (Channel)

Example: DI-120V-INFBSC335-H-240= Diode, 120 Volt, INFINILINE[®], 4200K CCT, Hardwire lead, 20 feet custom cut.

*Rotating Mounting Clips must be used with Hardwire installations to retain UL Listing.

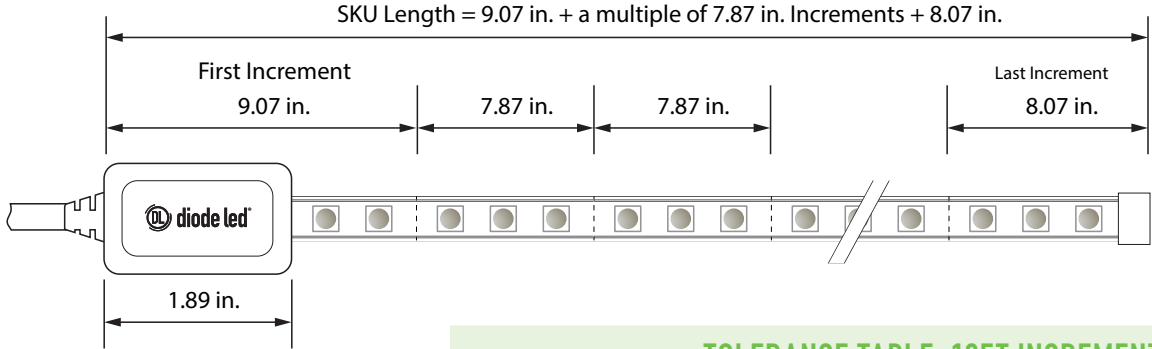
© 2021 Elemental LED Inc. All rights reserved. Specifications are subject to change without notice.

Toll Free: 877.817.6028 | Fax: 415.592.1596 | www.DiodeLED.com | info@DiodeLED.com

INFINILINE® 120V LED Strip Light

SPECIFICATION SHEET

SYSTEM DIAGRAM



TOLERANCE TABLE, 10FT INCREMENTS			
Length Range	Tolerance	Length Range	Tolerance
0-10ft	± 0.3 in.	70-80ft	± 2.5 in.
10-20ft	± 0.7 in.	80-90ft	± 2.8 in.
20-30ft	± 1.0 in.	90-100ft	± 3.1 in.
30-40ft	± 1.3 in.	100-110ft	± 3.4 in.
40-50ft	± 1.6 in.	110-120ft	± 3.7 in.
50-60ft	± 2.0 in.	120-130ft	± 4.0 in.
60-70ft	± 2.2 in.	>130ft	± 4.0 in.

CUSTOMIZATION OPTIONS

Up to three jumpers may be built into the length of each Infiniline® 120V LED Tape Light. (Call for more information)

