

PDQ FOOD STORES

3520 EAST WASHINGTON AVE
MADISON, WI 53704

PROJECT NARRATIVE / LETTER OF INTENT

PDQ Food Stores is proposing a new auto service station, detached car wash, and convenience store at 3520 and 3546 East Washington Blvd in Madison, Wisconsin. The project is in a Commercial Corridor - Transitional District (CC-T), and borders a Traditional Residential - Varied District 1 (TR-V1). The project will consist of demolishing the existing structure on site, and constructing a new auto service station with a 5,000 square foot pump canopy and 1,160 square foot pedestrian canopy, a 2,233 square foot detached car wash, and a 6,000 square foot convenience store. The project is estimated to be substantially complete by December 2015. The hours of operation are 24 hours per day, 7 days per week. See site plan for proposed parking, bike parking and open space calculations. The land is currently valued at \$1.1M. The estimated project cost is \$2.5M. This project is estimated to create 10 full time jobs. There are no public subsidies requested by this project.

DRAWING INDEX

01 COVER SHEET	13 SITE RENDERINGS	25 SITE SIGNAGE
02 SURVEY	14 SITE PHOTOMETRICS	26 SITE SIGNAGE
03 EXISTING BUILDING PHOTOS	15 SITE LIGHTING CUTSHEETS	27 SITE SIGNAGE
04 EXISTING SITE CONDITIONS	16 SITE LIGHTING CUTSHEETS	28 SITE SIGNAGE
05 SITE PLAN	17 SITE LIGHTING CUTSHEETS	29 SITE SIGNAGE
06 SITE DETAILS	18 SITE LIGHTING CUTSHEETS	
07 GRADING, EROSION CONTROL, AND UTILITY PLAN	19 SITE LIGHTING CUTSHEETS	
08 GRADING AND EROSION CONTROL DETAILS	20 SITE LIGHTING CUTSHEETS	
09 LANDSCAPE PLAN	21 SITE LIGHTING CUTSHEETS	
10 FLOOR PLAN	22 SITE LIGHTING CUTSHEETS	
11 PROPOSED BUILDING ELEVATIONS	23 SITE LIGHTING CUTSHEETS	
12 SITE RENDERINGS	24 SITE SIGNAGE	

PROJECT TEAM

OWNER
PDQ Food Stores
Contact: Mike Arnold
marnold@pdqstores.com
7601 Discovery Dr
PO Box 620997
Middleton, WI 53562

CONTRACTOR
Supreme Structures
Contact: Dan Bertler
dan@supremestructures.com
2906 Marketplace Drive, Suite A
Madison, WI 53719

ARCHITECT
OPN Architects
Contact: Tate Walker
twalker@opnarchitects.com
301 N Broom St, Suite 100
Madison, WI 53703

CIVIL CONTRACTOR
Homburg Contractors
Contact: Scott Burmeister
SBurmeister@HomburgInc.com
6106 Milwaukee Street
Madison, WI 53718

ELECTRICAL ENGINEER
Lyons Electric
Contact: Kevin R. Konkel
kevin@lyons-electric.com
75 Enterprise Road
Delafield, WI 53018

SURVEYOR
Isthmus Surveying LLC
Contact: Paul Spetz
isthmussurveying@sbcglobal.net
450 North Baldwin Street
Madison, WI 53703

LANDSCAPE ARCHITECT
McKay Nursery Co.
Contact: Sandy DeVault, L.A.
sd@mckaynursery.com
750 South Monroe Street
Waterloo, WI 53594

SITE SIGNAGE
LaCrosse Sign Co
Contact: Bill Rupp
Bill.RUpp@LaCrosseSign.com
2242 Mustang Way
Madison, WI 53718



PROJECT LOCATION
NOT TO SCALE



PROPOSED SITE STUDY
NOT TO SCALE



CEDAR RAPIDS • DES MOINES • MADISON

OPN ARCHITECTS, INC.
301 N. BROOM ST., SUITE 100
MADISON, WI 53703
608/819-0260 PHONE
www.opnarchitects.com
opn@opnarchitects.com



All reports, plans, specifications, computer files, field data, notes and other documents and instruments prepared by OPN Architects, Inc. as instruments of service shall remain the property of OPN Architects, Inc. OPN Architects, Inc. shall retain all common law, statutory and other reserved rights, including the copyright therein.

© 2015 OPN Architects, Inc.

Client
PDQ FOOD STORES
3520 East Washington Ave
Madison, WI 53704

Architect of Record
OPN ARCHITECTS
301 N. Broom Street, Suite 100
Madison, WI 53703

Contractor
SUPREME STRUCTURES
2906 Marketplace Drive, Suite A
Madison, WI 53719

Project
PDQ FOOD STORES
3520 E WASHINGTON AVE
MADISON, WI 53704



Issue & Revision Dates

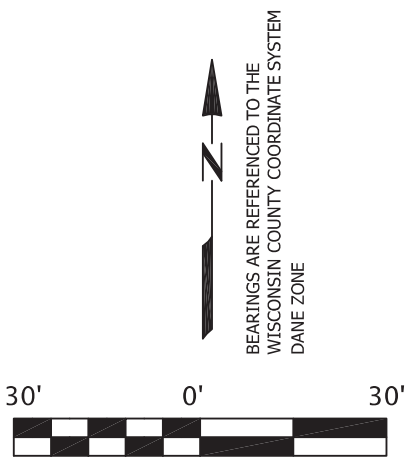
CITY OF MADISON STAFF REVIEW	04.08.2015
CITY OF MADISON DAT PRESENTATION	04.23.2015
NEIGHBORHOOD REVIEW	05.18.2015
UDC INFORMATIONAL PRESENTATION	05.20.2015
UDC SUBMITTAL	05.27.2015
UDC REVISION	06.17.2015

Drawing

OPN Project No. 15603000

ALTA/ACSM Land Title Survey: Prime Quarter Madison

LOCATED IN:
Lots Five (5), through Twenty-two (22), Block One (1), Clyde
A. Gallagher Subdivision, in the City of Madison, Dane County, Wisconsin



LEGEND
 ● SOLID IRON ROD FOUND (0.75" Dia, unless noted)
 ○ IRON PIPE FOUND (1" Dia, unless Noted)
 ○ 3/4"x1/8" SOLID IRON ROD SET
 1.50LBS./LINEAL FOOT.
 () INDICATES RECORDED AS
 DISTANCES ARE MEASURED TO THE
 NEAREST HUNDREDTH OF A FOOT.

Electric Transformer
 Light Pole
 Utility Pole
 Valve: Gas or Water
 --- Underground AT&T Communications
 --- Underground Electric
 --- Sanitary Sewer
 --- Gas
 --- Overhead Wires
 --- Water (Shown as Approximate in places)
 --- Storm Water Pipe

This Survey Contains
80,389 S.F.
1.84 Acres

PARCEL A:

Lots Five (5), Six (6), Seven (7), Eight (8), Nine (9), Ten (10), Fifteen (15), Sixteen (16), Seventeen (17), Eighteen (18), Nineteen (19), Twenty (20), Twenty-one (21) and Twenty-two (22), Block One (1), Clyde A. Gallagher Subdivision, in the City of Madison, Dane County, Wisconsin, EXCEPT The South 16 1/2 feet thereof.

PARCEL B:

Lots Eleven (11), Twelve (12), Thirteen (13) and Fourteen (14), Block One (1), Clyde A. Gallagher's Subdivision, in the City of Madison, Dane County, Wisconsin, EXCEPT The South 16 1/2 feet therefrom of Lots Eleven (11), Twelve (12) and Thirteen (13).

Schedule B-Exceptions (as detailed in First American Title Insurance Commitment No. NCS-705057-MAD, dated December 5, 2014, at 7:30 a.m.)

11. Resolution recorded February 12, 1969, in Volume 86 of Records, Page 238, as Document No. 1234039. APPLIES AND AFFECTS, SHOWN HEREON.

The Following Exceptions Affect Parcel A:

12. Easement to the Town Sanitary District No. 4 recorded in Volume 257 of Misc., Page 209, as Document No. 852792 granting an easement across the North 10 feet of Lot 10, Block 1. APPLIES AND AFFECTS, SHOWN HEREON.

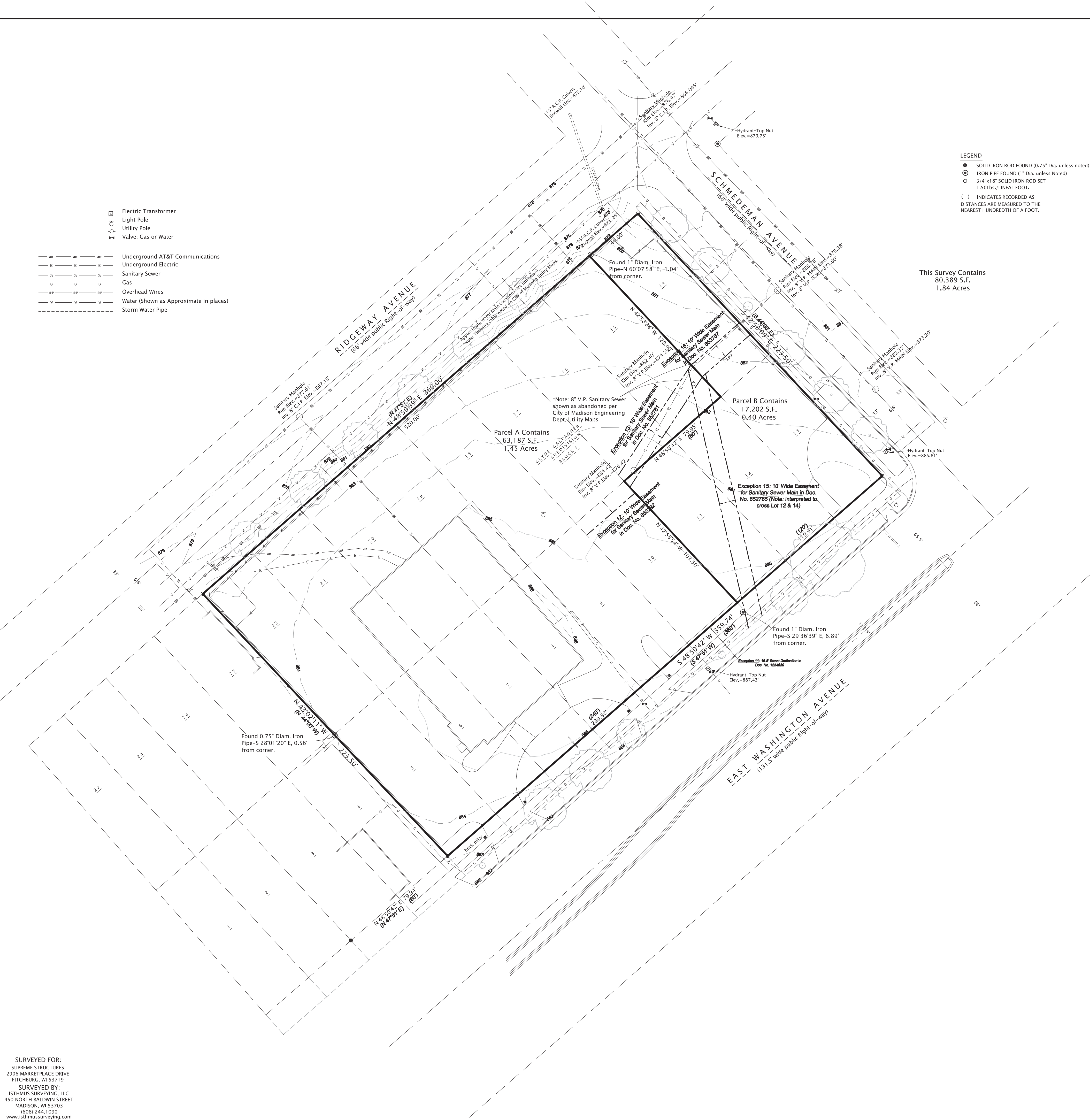
13. Easement to the Town Sanitary District No. 4 recorded in Volume 257 of Misc., Page 198, as Document No. 852781. APPLIES AND AFFECTS, SHOWN HEREON.

14. Mortgage dated October 6, 1995 and recorded October 6, 1995, in Volume 31023 of Records, Page 36 as 2709838, made by Madison Celebration Station, Inc., to M&I Madison Bank, to secure an indebtedness in the amount of \$165,000.00, and the terms and conditions thereof. APPLIES AND AFFECTS, NOT A MAPPING OR SURVEYING MATTER.

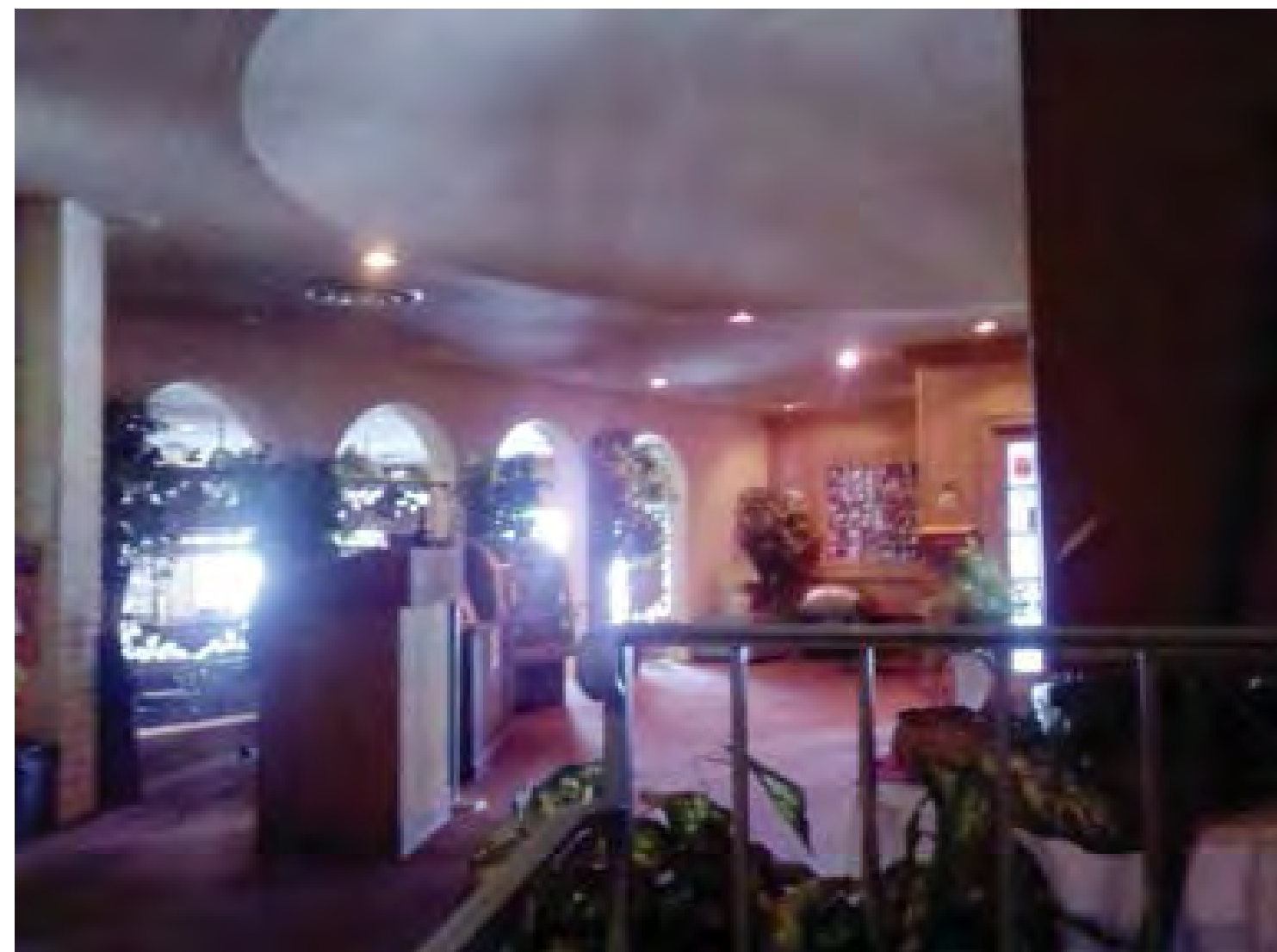
The Following Exceptions Affect Parcel B:

15. Easement to the Town Sanitary District No. 4 recorded April 30, 1953, in Volume 257 of Misc., Page 202, as Document No. 852785. APPLIES AND AFFECTS, SHOWN HEREON.

16. Easement to the Town Sanitary District No. 4 recorded April 30, 1953, in Volume 257 of Misc., Page 204, as Document No. 852787. APPLIES AND AFFECTS, SHOWN HEREON.



SURVEYED FOR:
SUPREME STRUCTURES
2906 MARKETPLACE DRIVE
FITZBURG, WI 53719
SURVEYED BY:
ISTHMUS SURVEYING, LLC
450 NORTH BALDWIN STREET
MADISON, WI 53703
608.244.1090
www.isthmussurveying.com



CEDAR RAPIDS • DES MOINES • MADISON

OPN ARCHITECTS, INC.
301 N. BROOM ST., SUITE 100
MADISON, WI 53703
608/819-0260 PHONE
www.opnarchitects.com
opn@opnarchitects.com



All reports, plans, specifications, computer files, field data, notes and other documents and instruments prepared by OPN Architects, Inc. as instruments of service shall remain the property of OPN Architects, Inc. OPN Architects, Inc. shall retain all common law, statutory and other reserved rights, including the copyright thereto.

© 2015 OPN Architects, Inc.

Client
PDQ FOOD STORES
3520 East Washington Ave
Madison, WI 53704

Architect of Record
OPN ARCHITECTS
301 N. Broom Street, Suite 100
Madison, WI 53703

Contractor
SUPREME STRUCTURES
2306 Marketplace Drive, Suite A
Madison, WI 53719

Project
PDQ FOOD STORES
3520 E WASHINGTON AVE
MADISON, WI 53704



Issue & Revision Dates

CITY OF MADISON STAFF REVIEW	04.06.2015
CITY OF MADISON DAT PRESENTATION	04.23.2015
NEIGHBORHOOD REVIEW	05.18.2015
UDC INFORMATIONAL PRESENTATION	05.20.2015
UDC SUBMITTAL	05.27.2015
UDC SUBMITTAL	06.17.2015

Drawing
EXISTING BUILDING PHOTOS

OPN Project No. 15603000

PROJECT:

PDO
FOOD STORES
3520 EAST WASHINGTON AVENUE
CITY OF MADISON

GENERAL CONTRACTOR:



2806 Marketplace Drive
Madison, WI 53719
(608) 244-0777
supremestructures.com

ARCHITECT:



301 N Broom Street Ste 100
Madison, WI 53703
(608) 819-0280
opnarchitects.com

SITE CONSULTANT:



5590 Monona Drive
Monona, WI 53716
(608) 222-6557
(608) 244-9113 Fax
homburginc.com



ISSUED
6/16/15

REVISED

DRAWN BY: SB, MK, AD

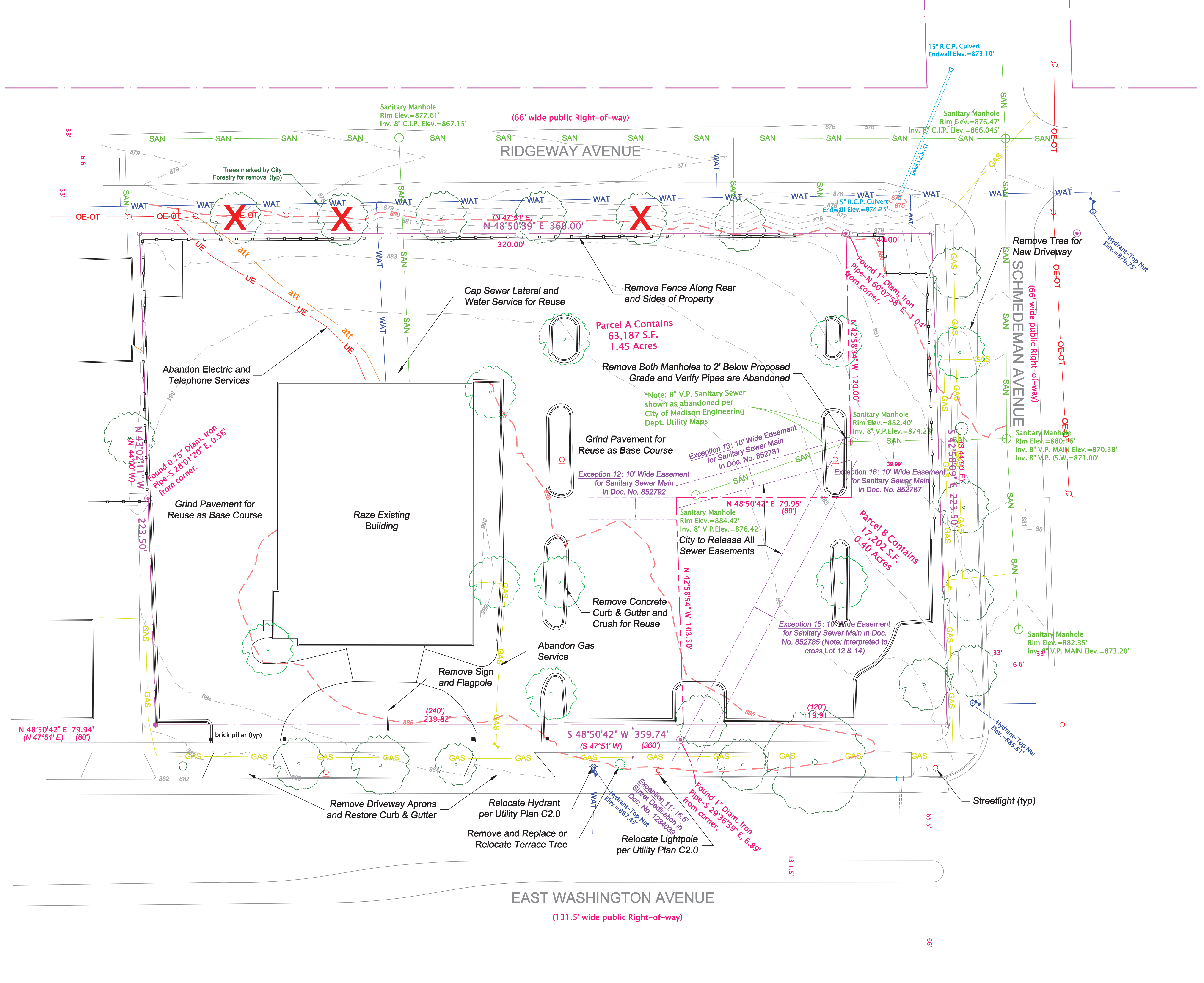
© 2015, Homburg Contractors, Inc.

EXISTING
CONDITIONS
PLAN

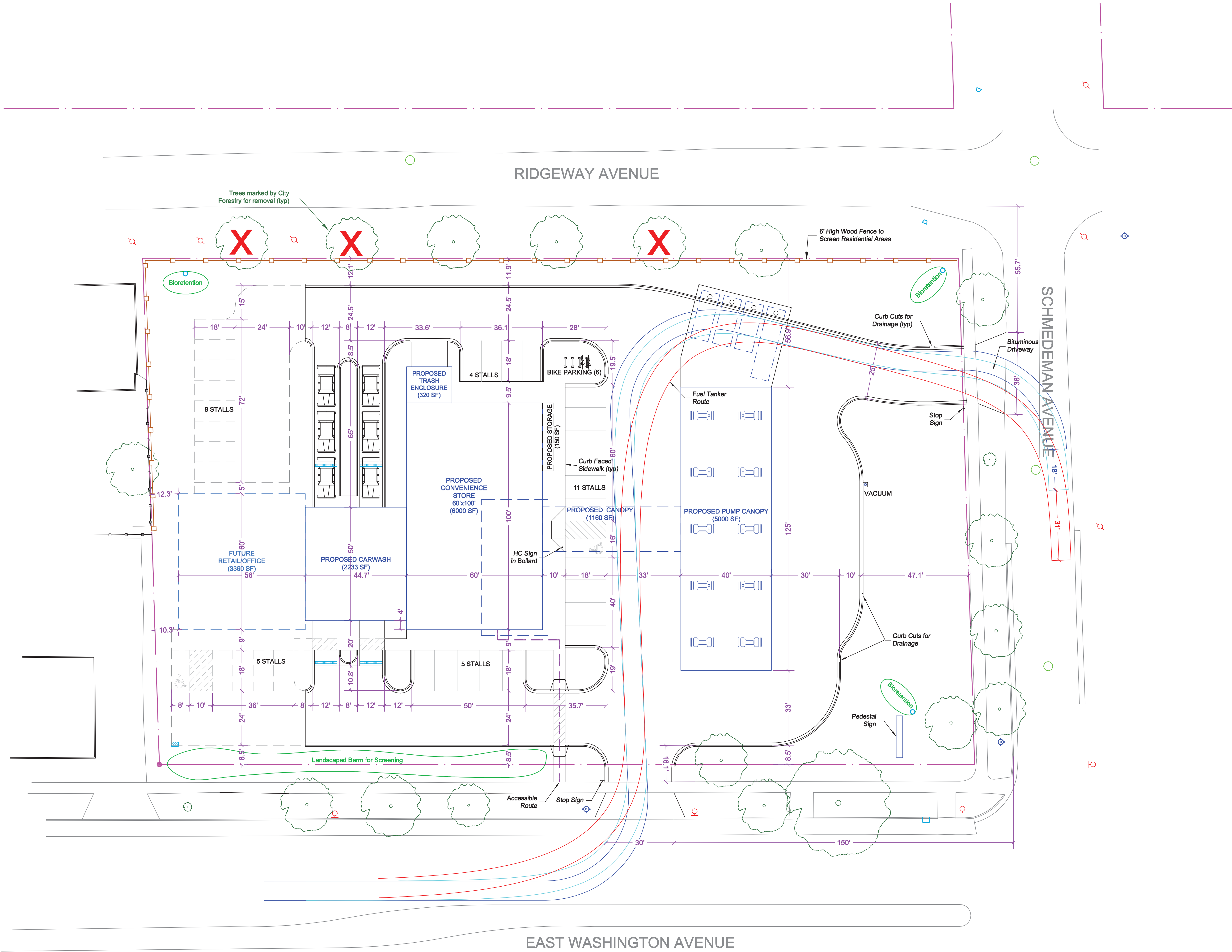
C.O.O.

LEGEND

- EXISTING GAS
- EXISTING T.V. PHONE, FIBER OPTIC
- EXISTING ELECTRIC
- PAVING CONTRACT
- PAVING CONTRACT
- EXISTENT
- EXISTING CMP Storm Sewer
- EXISTING SANITARY SEWER
- EXISTING WATER
- BOUNDARY
- PARKING LOT STRIPING
- EDGE OF PAVEMENT / CURB
- LIGHT
- PILE
- HAUL
- COMPOUND TREE
- DECIDUOUS TREE



1"=20'



PROJECT:
PDO
FOOD STORES
 3520 EAST WASHINGTON AVENUE
 CITY OF MADISON

GENERAL CONTRACTOR:
SUPREME STRUCTURES
 INCORPORATED

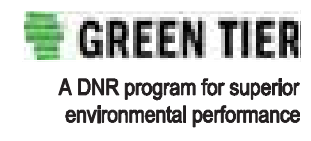
2806 Marketplace Drive
 Madison, WI 53719
 (608) 224-0777
 supremestructures.com

ARCHITECT:
OPN
 ARCHITECTS

301 N Broom Street Ste 100
 Madison, WI 53703
 (608) 818-0260
 opnarchitects.com

SITE CONSULTANT:
HOMBURG
 CONTRACTORS, INC.

5580 Monona Drive
 Monona, WI 53716
 (608) 222-6597
 (608) 244-9113 Fax
 homburginc.com



ISSUED
 6/16/15

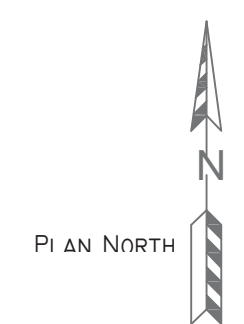
REVISED

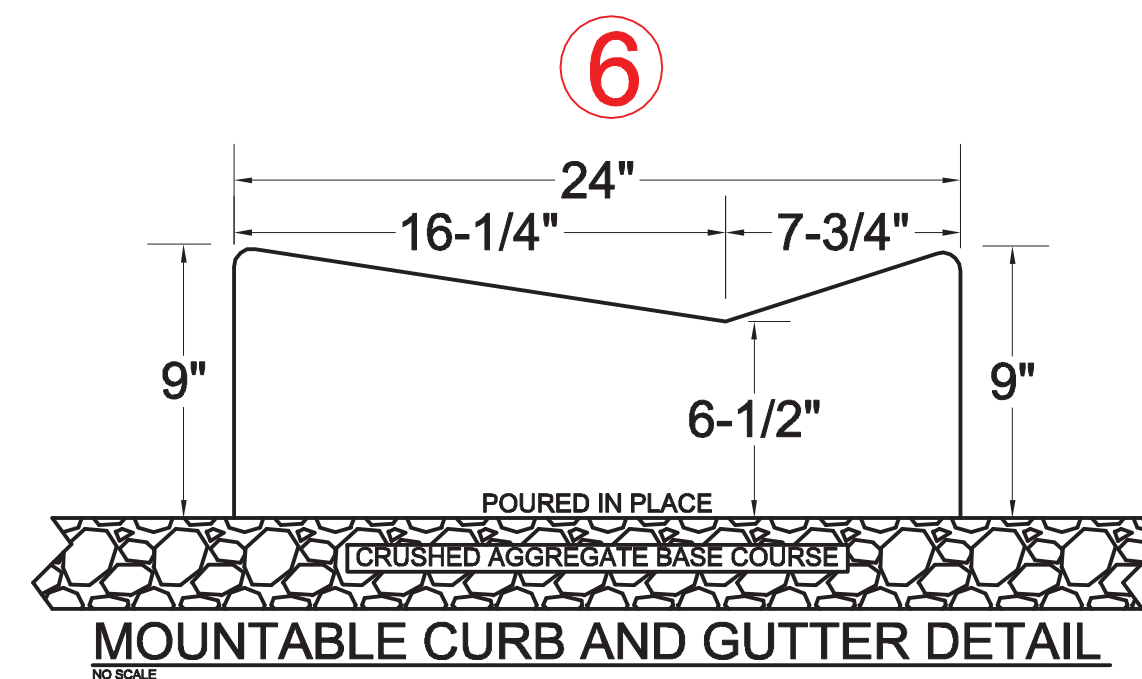
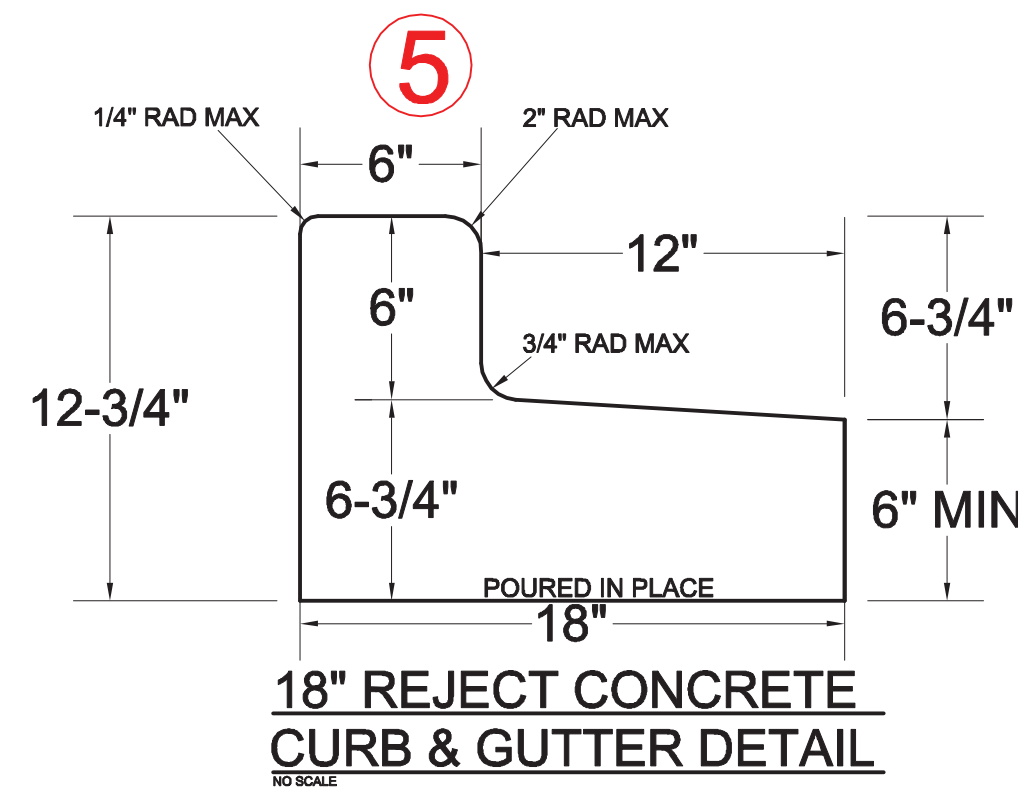
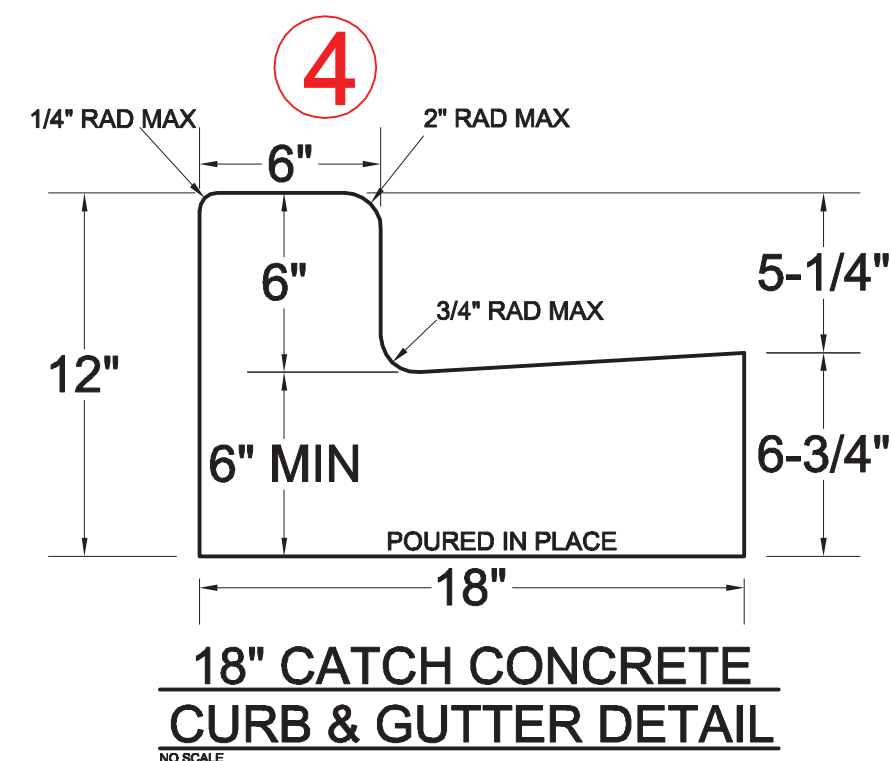
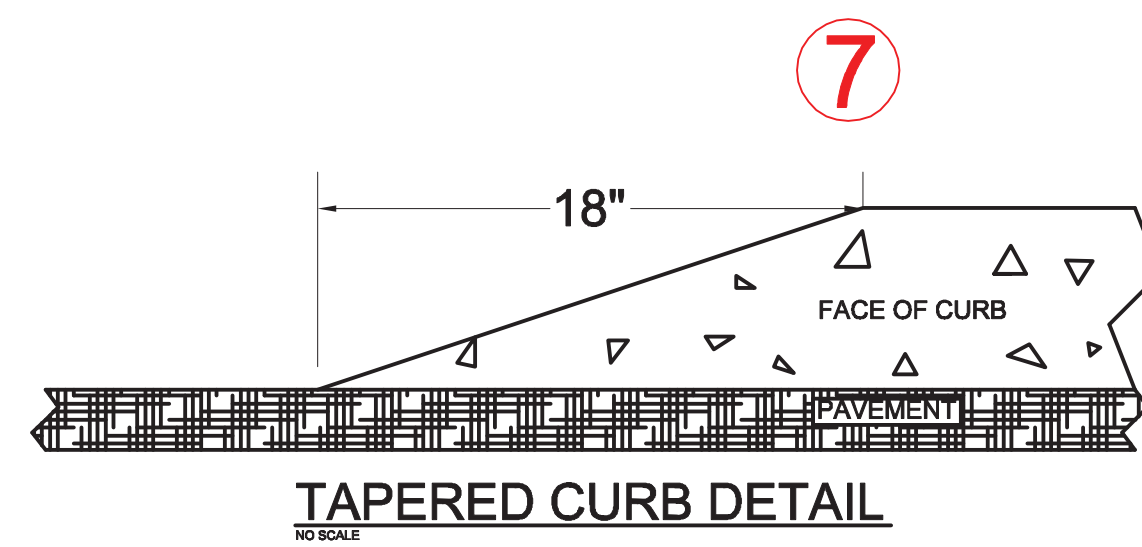
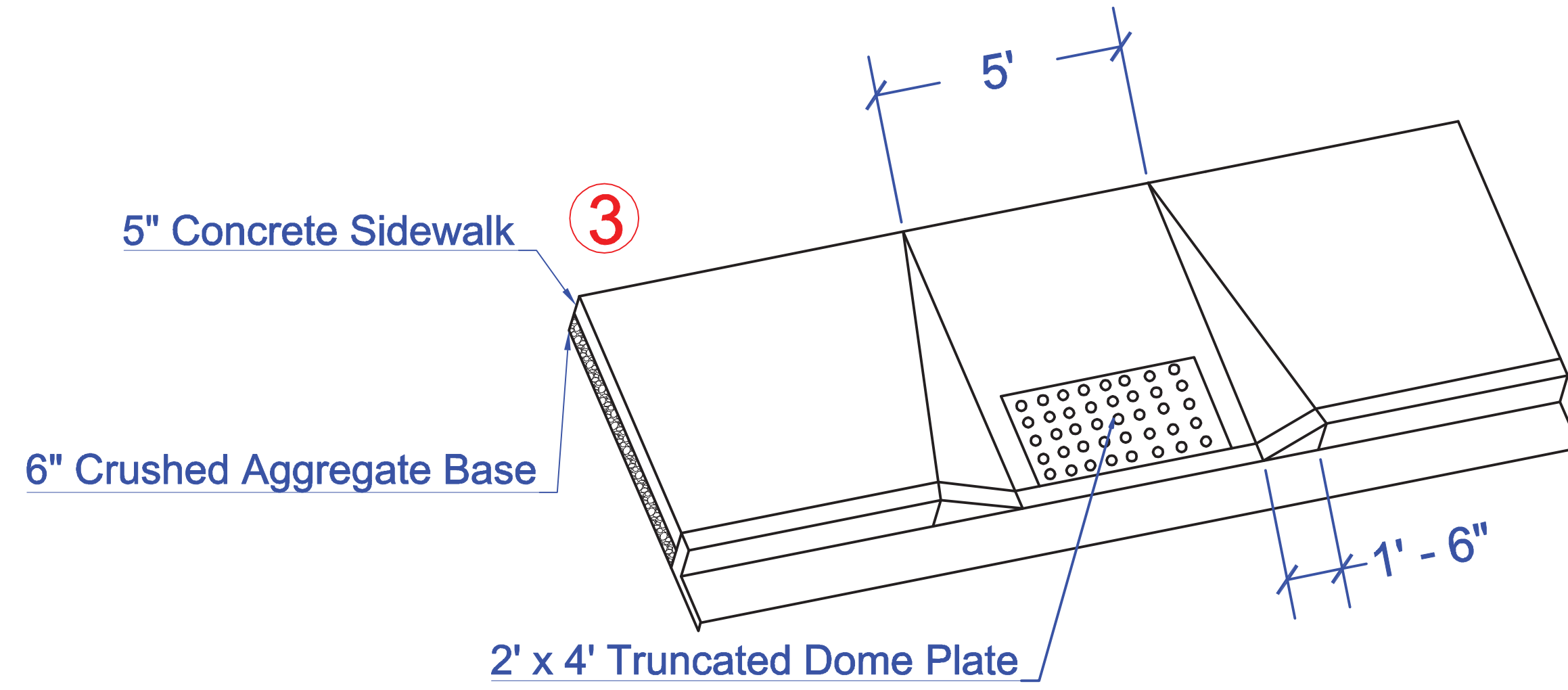
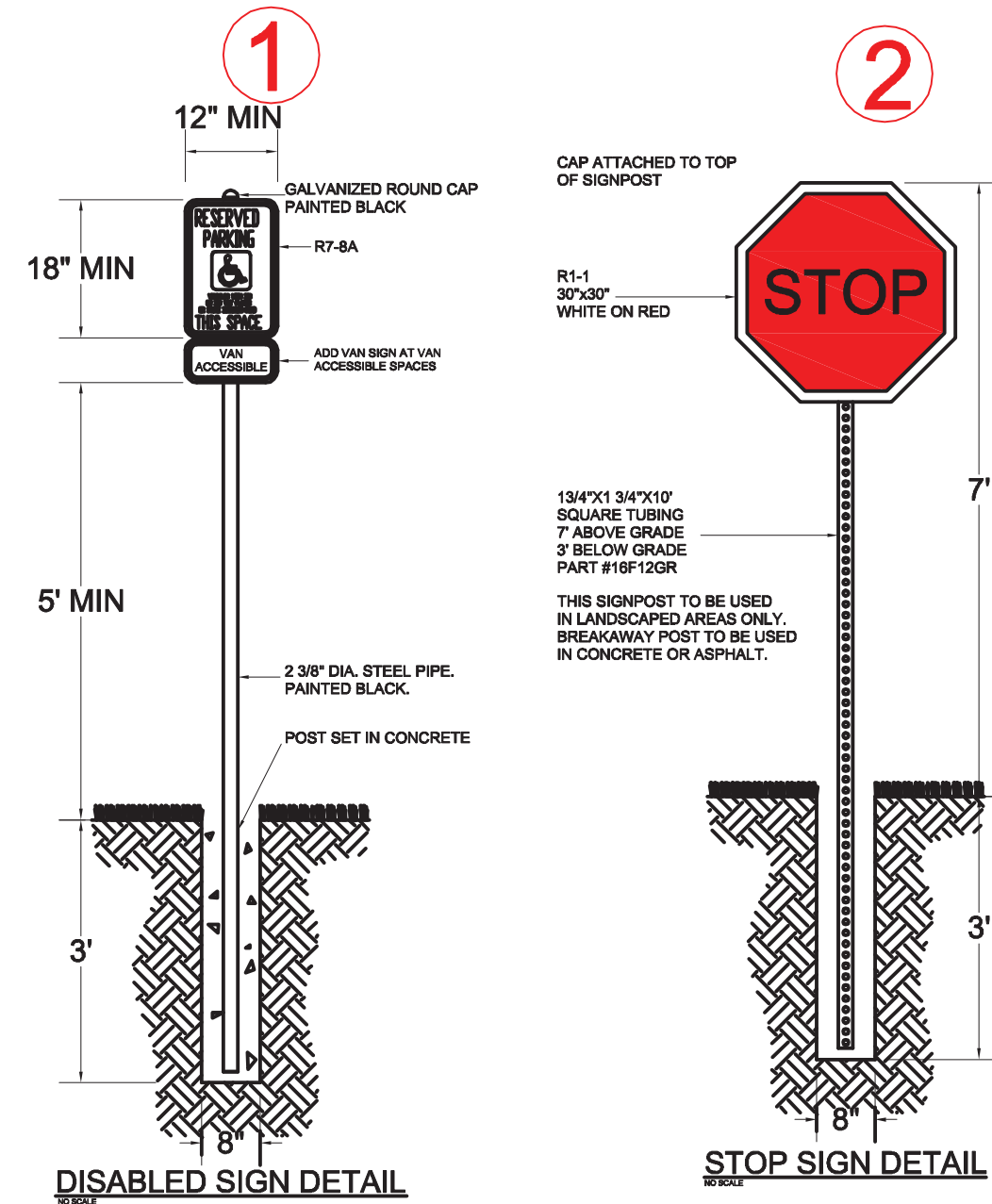
DRAWN BY: SB, MK, AD

© 2015, Homburg Contractors, Inc.

SITE PLAN

C 1.0





Parking Lot Plan Site Information Block

Site address: 3520 East Washington Avenue
 Site acreage (total): 1.85

Number of building stories (above ground): 1
 Building height: _____
 DILHR type of construction (new structures or additions): _____
 Total square footage of building: 8233

Use of property: Convenience store, car wash, and gas station
 Gross square feet of office: 0
 Gross square feet of retail: 6000
 Number of employees in warehouse: 0
 Number of employees in production area: 0
 Capacity of restaurant or place of assembly: 0

Number of bicycle stalls shown: 6

Number of parking stalls:
 Small car: 0
 Large car: 18
 Accessible: 1
 Total: 19

Number of trees shown: _____

PROJECT:



GENERAL CONTRACTOR:



2906 Marketplace Drive
 Madison, WI 53718
 (608) 284-0777
 supremestructures.com

ARCHITECT:



301 N Broom Street Ste 100
 Madison, WI 53703
 (608) 819-0280
 opnarchitects.com

SITE CONSULTANT:



8590 Monona Drive
 Monona, WI 53716
 (608) 222-6597
 (608) 244-8113 Fax
 homburginc.com



ISSUED
 5/22/15

REVISED

DRAWN BY: SB, MK, AD

© 2015, Homburg Contractors, Inc.

SITE PLAN
 DETAILS

C 1.1

PROJECT:

PDO
FOOD STORES
3520 EAST WASHINGTON
AVENUE
CITY OF MADISON

GENERAL CONTRACTOR:



2806 Marketplace Drive
Madison, WI 53719
(608) 224-0777
supremestructures.com

ARCHITECT:



301 N Broom Street Ste 100
Madison, WI 53703
(608) 618-0280
opnarchitects.com

SITE CONSULTANT:



5590 Monona Drive
Monona, WI 53716
(608) 222-6597
(608) 244-8113 Fax
homburginc.com



ISSUED:
6/16/15

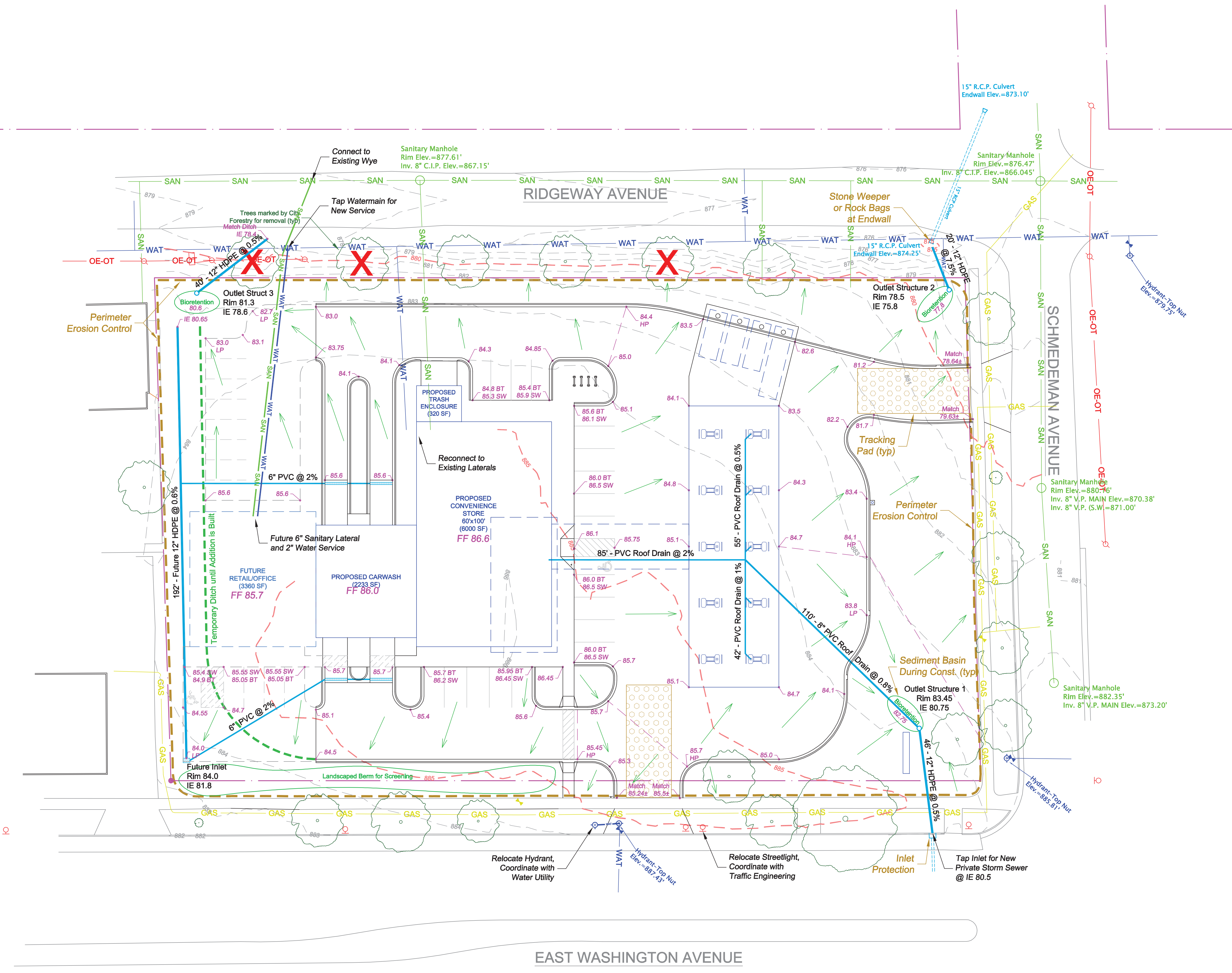
REVISED:

DRAWN BY: SB, MK, AD

© 2015, Homburg Contractors, Inc.

GRADING, EC AND
UTILITY PLAN

C 2.0



EAST WASHINGTON AVENUE

PLAN NORTH

Erosion Control Notes/Specifications:

1. Erosion control devices and/or structures shall be installed prior to clearing and grubbing operations. These shall be properly maintained for maximum effectiveness until vegetation is re-established.

2. Erosion control is the responsibility of the contractor until acceptance of this project. Erosion control measures as shown shall be the minimum precautions that will be allowed. The contractor shall be responsible for recognizing and correcting all erosion control problems that are the result of construction activities. Additional erosion control measures, as requested in writing by the state or local inspectors, or the developer's engineer, shall be installed within 24 hours.

3. All erosion control measures and structures serving the site must be inspected at least weekly or within 24 hours of the time 0.5 inches of rain is produced. All maintenance will follow an inspection within 24 hours.

4. Install Type D inlet filters in any street inlet receiving runoff from this site. Refer to WDOT Product Acceptability List at: <http://www.dot.wisconsin.gov/business/engserv/pal.html>

5. Erosion control devices shall adhere to the technical standards found at: <http://dnr.wi.gov/org/water/wm/nps/stormwater/techstds.htm> and comply with all City of Madison ordinances.

6. All debris tracked onto public streets shall be swept or scraped clean by the end of each workday.

7. All disturbed areas shall be seeded immediately after grading activities have been completed.

8. All disturbed areas, except paved areas, shall receive a minimum of four (4) inches of topsoil, fertilizer, seed, and mulch. Seed mixture 40 shall be used on all areas. Mixtures shall be in accordance with section 630 of Wisconsin D.O.T. specifications. Seed mixtures and fertilizer shall be applied at the rate of seven (7) pounds per 1,000 square feet. Mulch shall be applied at the rate of 2 tons per acre and shall be anchored into the soil by discing. Seeding and sodding may only be used from May 1st to September 15th of any year. Temporary seed shall be used after September 15. If temporary seeding is used, a permanent cover shall also be required as part of the final site stabilization.

9. For the first six (6) weeks after the initial stabilization of a disturbed area, watering shall be performed whenever more than seven (7) days of dry weather elapse.

10. Following rough grading, deep tilling will be performed on all graded areas outside of building and street footprints. The operation shall be accomplished using twin straight steel shanks drawn by tracked machinery. Each shank shall be 24 to 36 inches long, positioned over each track.

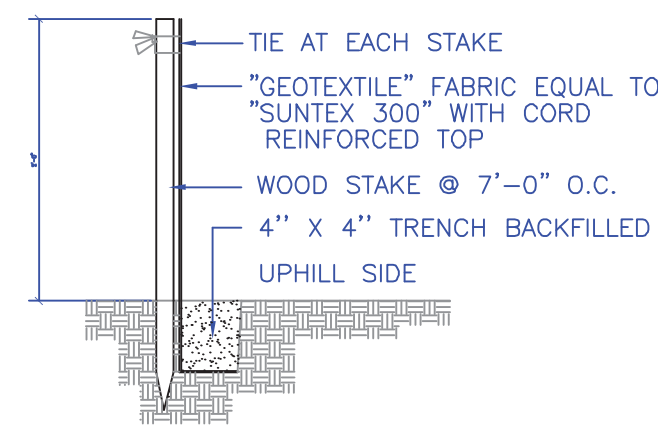
11. All access point to the project site must have a Stone Construction Entrance

12. If rill erosion becomes problematic, the contractor shall apply soil stabilization polymers on all slopes greater than 10% or in problem areas.

Emergency Contact
Mike Hackel
Homburg Contractors, Inc.
5590 Monona Drive
Monona, WI 53716
(608) 241-1178

SILT FENCE INSTALLATION DETAIL

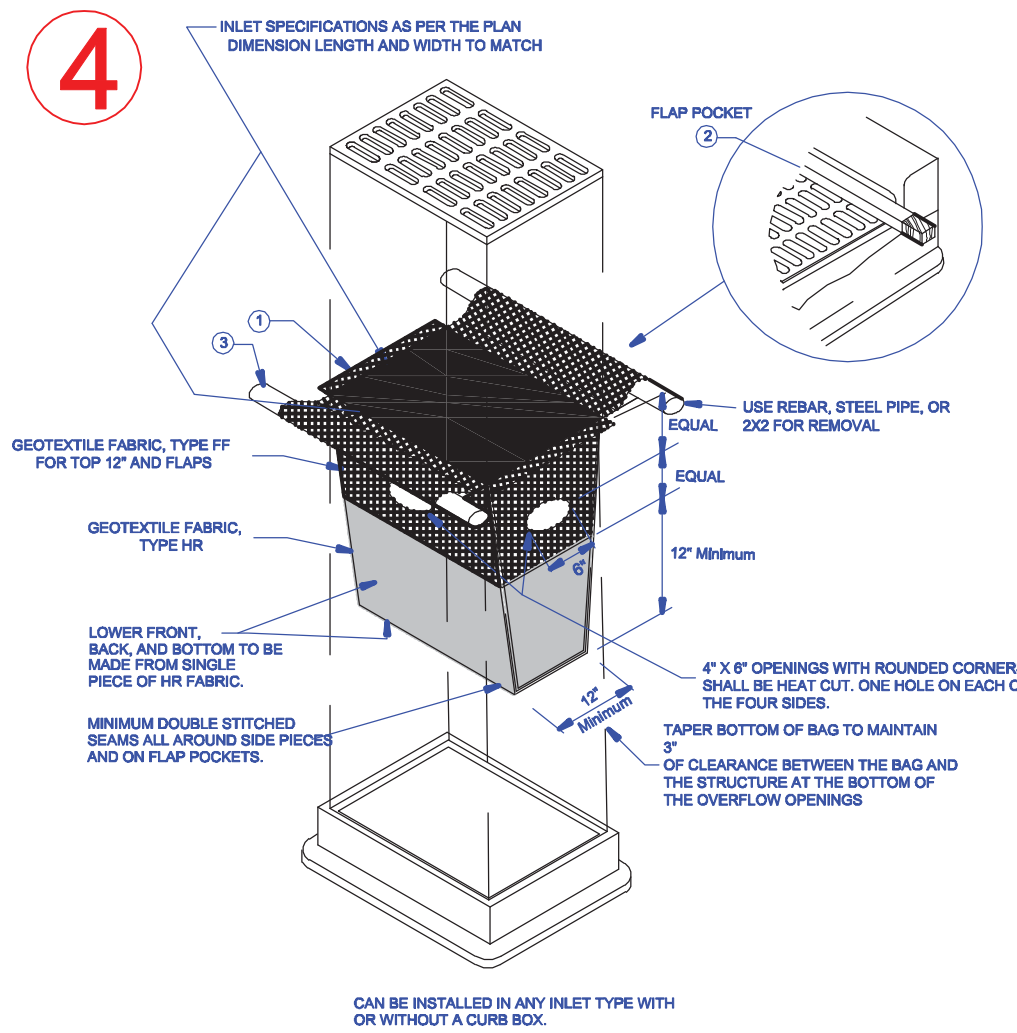
1



INSTALLATION PROCEDURE
STEP 1: EXCAVATE A 4"x4" TRENCH ALONG PATH OF SILT FENCE.
STEP 2: STAKE THE SILT FENCE ON DOWNSLOPE SIDE OF TRENCH AND EXTEND 6" OF FABRIC INTO THE TRENCH.
STEP 3: WHEN JOINTS ARE NECESSARY, OVERLAP ENDS FOR THE DISTANCE BETWEEN THE STAKES.
STEP 4: BACKFILL AND COMPACT THE EXCAVATED SOIL.

INLET PROTECTION (TYPE HC)

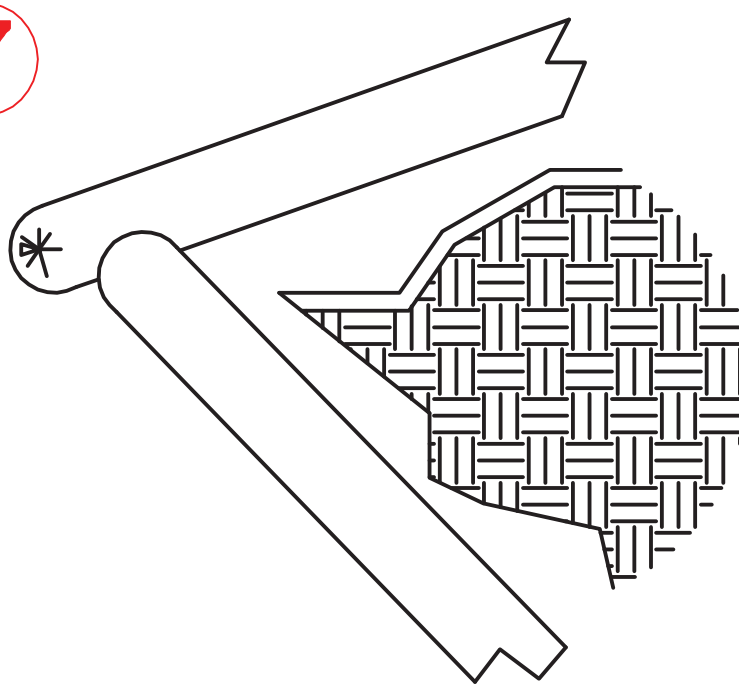
4



GENERAL NOTES
1. WHEN REMOVING OR MAINTAINING INLET PROTECTION, CARE SHALL BE TAKEN SO THAT THE SEDIMENT TRAPPED ON THE GEOTEXTILE FABRIC DOES NOT FALL INTO THE INLET. ANY MATERIAL FALLING INTO THE INLET SHALL BE REMOVED IMMEDIATELY. THE INSTALLED BAG SHALL HAVE A MINIMUM SIDE CLEARANCE, BETWEEN THE INLET WALLS AND THE BAG, MEASURED AT THE BOTTOM OF THE OVERFLOW HOLES, OF 3".
2. SIDE FLAPS SHALL BE A MAXIMUM OF 2" LONG. FOLD THE FABRIC OVER AND REINFORCE WITH MULTIPLE STITCHES.
3. FLAP POCKETS SHALL BE LARGE ENOUGH TO ACCEPT WOOD 2X2. THE 2X2 SHALL BE INSTALLED IN THE REAR FLAP AND SHALL NOT BLOCK THE TOP HALF OF THE CURB FACE OPENING.
4. FRONT LIFTING FLAP IS TO BE USED WHEN REMOVING AND MAINTAINING FILTER BAG.

Silt Sock Detail

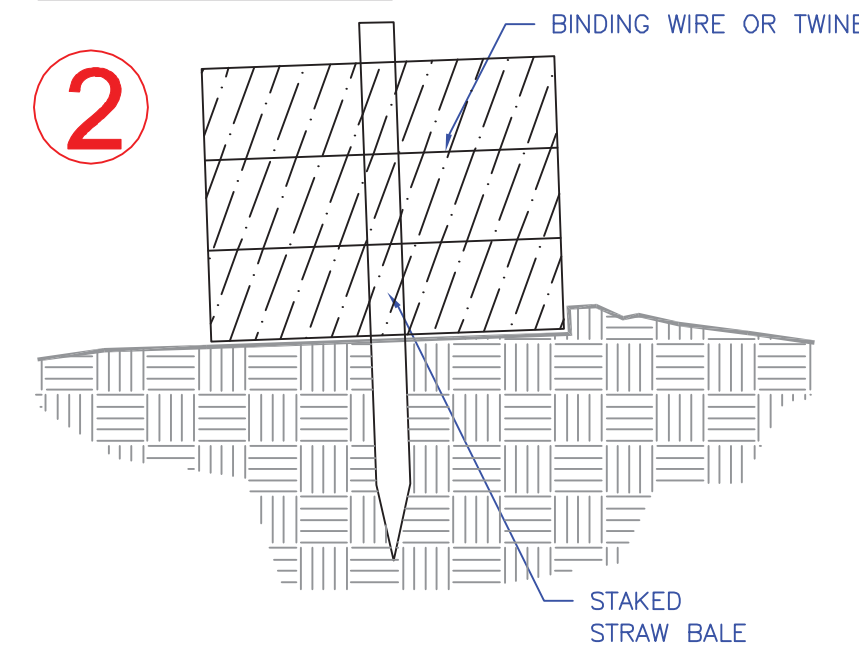
7



INSTALLATION PROCEDURE
Lay full socks in a single row with a 4" end to end overlap.

STAKED BALE

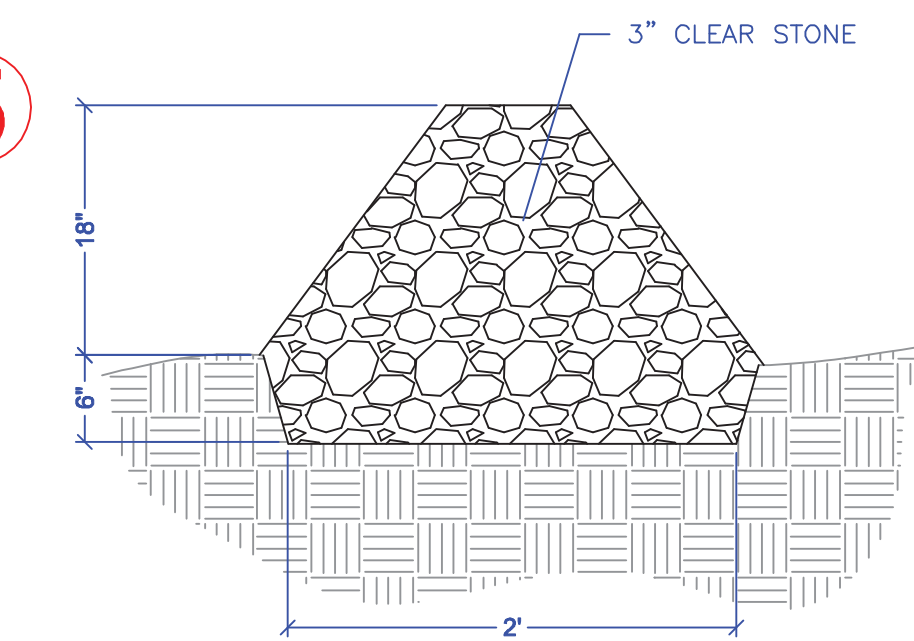
2



INSTALLATION PROCEDURE
STEP 1: PLACE AND STACK STRAW BALES LENGTHWISE TO FORM WALL.
STEP 2: WEDGE LOOSE STRAW BETWEEN BALES.
NOTE: ADDITIONAL EROSION CONTROL MEASURES WILL BE INSTALLED AS NEEDED.

CLEAR STONE WEEPER

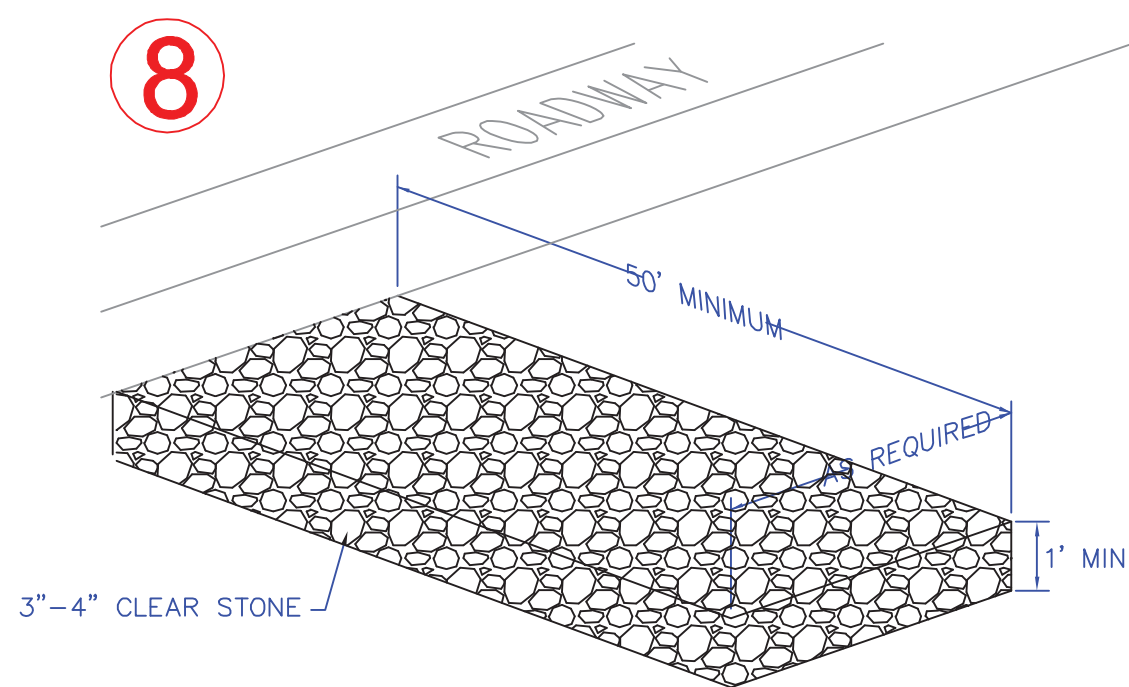
5



INSTALLATION PROCEDURE
STEP 1: EXCAVATE A 2" WIDE TRENCH.
STEP 2: PLACE 3" CLEAR STONE TAPERING FROM A 2" WIDE BOTTOM TO A 6" WIDE TOP.
STEP 3: TO PROTECT INLETS, REPEAT IN A CIRCLE AROUND THE ENTIRE INLET.
STEP 4: TO PROTECT DITCHES AND SWALES RUN THE WEEPER PERPENDICULAR TO THE FLOW LINE AND EXTEND TO THE TOP OF THE SIDE SLOPE.
NOTE: ADDITIONAL EROSION CONTROL MEASURES WILL BE INSTALLED AS NEEDED.

CONSTRUCTION ENTRANCE DETAIL

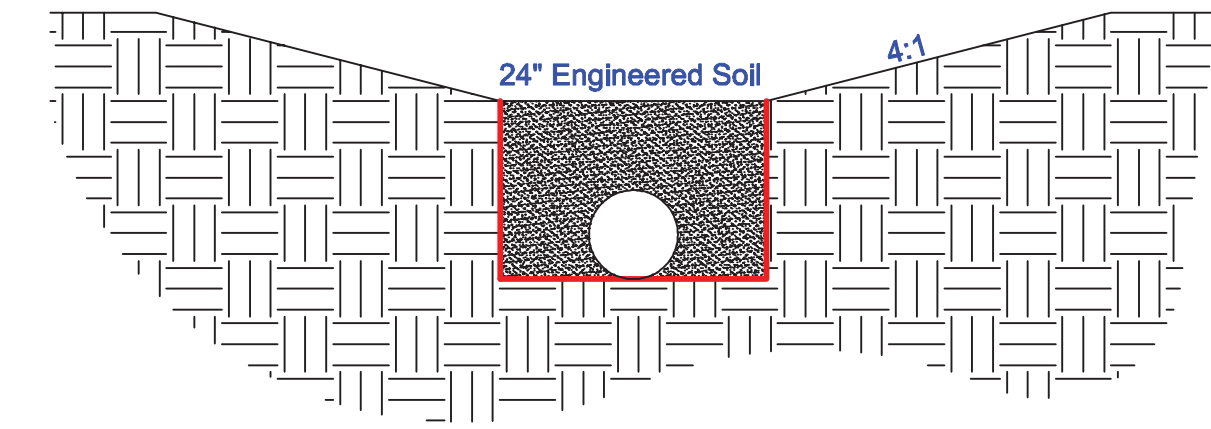
8



NOTES:
1. CLEAN UP ANY MATERIAL TRACKED OFF SITE DAILY.
2. REPLACE STONE ENTRANCE WHEN IT BECOMES TOO CLOGGED TO PROVIDE ANY CLEANING BENEFIT.

Bioretention with Liner

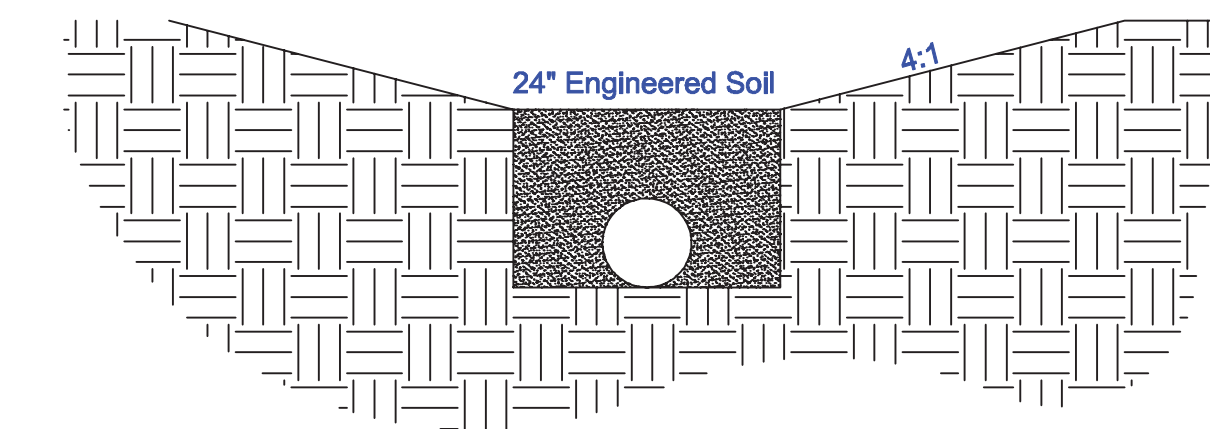
3



INSTALLATION PROCEDURE
Engineered Soil Composition:
70 - 85 % Coarse sand
15 - 30 % compost meeting the following requirements:
Sand: USDA coarse sand 0.02 - 0.04 inch diameter prewashed.
Compost: Shall meet the requirements of DNR S100
Soil mixture shall be free of rocks, roots, and debris over 1"
Shall be placed to minimize compaction of mixture and subgrade
Finished basin shall be matted with coconut fabric and planted with native prairie plugs spaced 12" on center

Bioretention

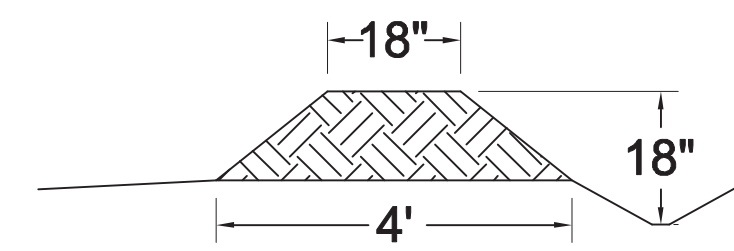
6



INSTALLATION PROCEDURE
Engineered Soil Composition:
70 - 85 % Coarse sand
15 - 30 % compost meeting the following requirements:
Sand: USDA coarse sand 0.02 - 0.04 inch diameter prewashed.
Compost: Shall meet the requirements of DNR S100
Soil mixture shall be free of rocks, roots, and debris over 1"
Shall be placed to minimize compaction of mixture and subgrade
Finished basin shall be matted with coconut fabric and planted with native prairie plugs spaced 12" on center

9

Erosion Berm



INSTALLATION NOTE
Install stone weepers at low points.

PROJECT:

PDO
FOOD STORES
3520 EAST WASHINGTON AVENUE
CITY OF MADISON

GENERAL CONTRACTOR:

SUPREME STRUCTURES
INCORPORATED

2906 Marketplace Drive
Madison, WI 53718
(608) 284-0777
supremestructures.com

ARCHITECT:

OPN
ARCHITECTS

301 N Broom Street Ste 100
Madison, WI 53703
(608) 618-0280
opnarchitects.com

SITE CONSULTANT:

HOMBURG
CONTRACTORS, INC.

5590 Monona Drive
Monona, WI 53716
(608) 244-6597
(608) 244-8113 Fax
homburginc.com

GREEN TIER
A DNR program for superior environmental performance

ISSUED
5/22/15

REVISED

DRAWN BY: SB, MK, AD
© 2015, Homburg Contractors, Inc.

GRADING & EC
DETAILS

C 2.1



MCKAY NURSERY COMPANY
 Since 1897 - An Employee Owned Company
 PO Box 185
 750 S. Monroe Street
 Waterloo, WI 53594
 www.mckaynursery.com

S DEVAULT
 An independent representative
 for McKay Nursery Company
 (T) 608.934.2941
 (F) 608.728.3815
 SDEVAULT@MCKAYNURSERY.COM

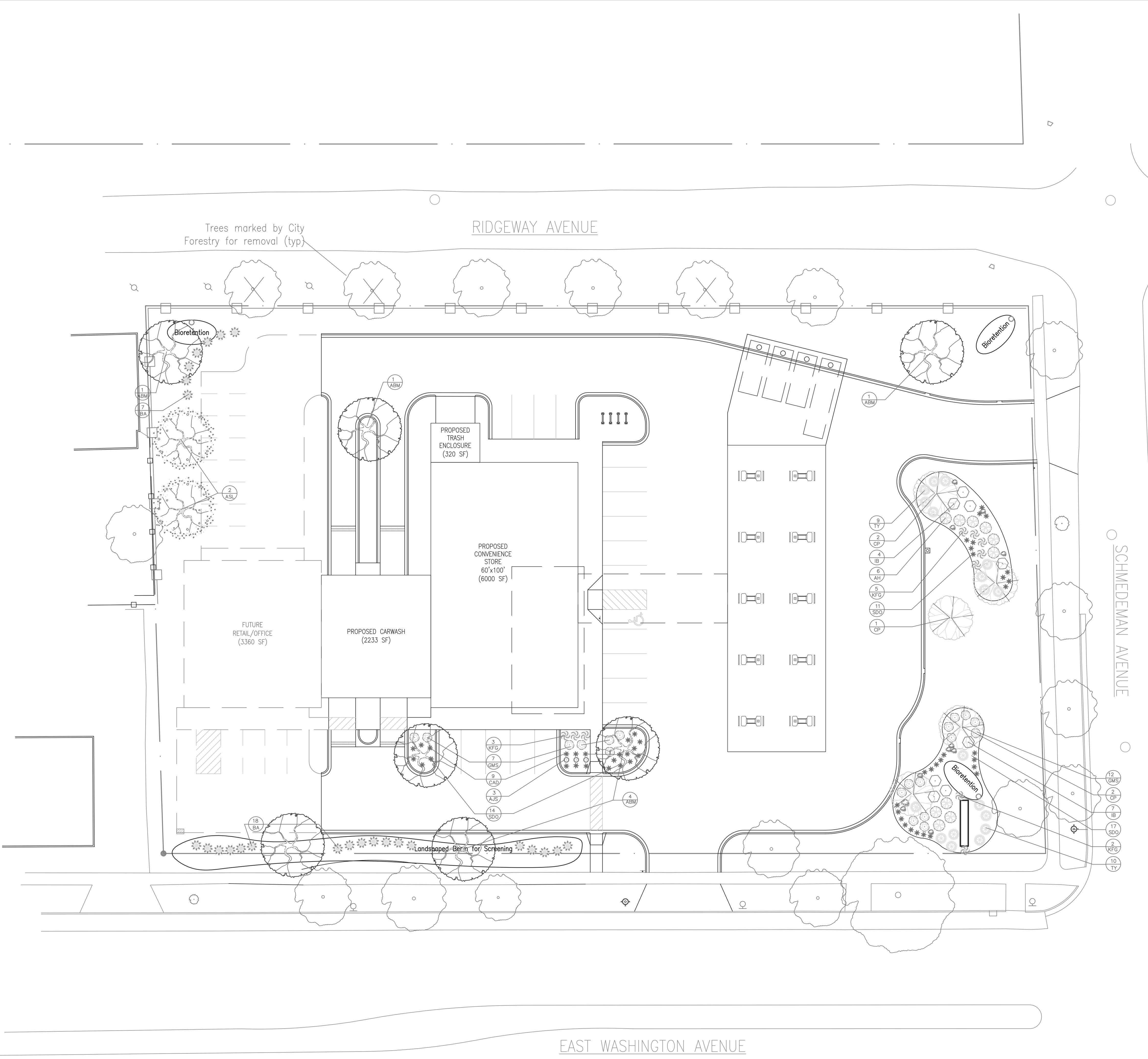
PDQ
EAST WASHINGTON AVE
 MADISON, WI DANE CO.

Drawing Title
Landscape Plan

This drawing remains the property of the undersigned, and no use of it shall be made without their consent. The undersigned and McKay Nursery Company assume no responsibility for accuracy, zoning compliance, structural integrity and all details and dimensions.

To obtain location of participant's underground facilities before you dig, CALL YOUR LOCAL UTILITY

DRAWN BY	S DEVAULT
PROJECT NUMBER	76-15
DATE	5.21.15
CAD FILE	SUPSTRPDplan76_20.sc 24x36
SHEET	1 of 1
SHEET NUMBER	L1



PLANTING SCHEDULE

Symbol	Plant Name	Root	Quantity	Points	Total
Shade and Ornamental Trees					
ABM	Autumn Blaze Maple	2.5"BB	7	35	245
ASL	American Sentry Linden	1.5"BB	2	35	70
CP	Cleveland Pear	1.5"BB	6	15	75
Deciduous Shrubs					
GMS	Gold Mound Spirea	#3 CC	19	3	57
IB	Intermedia Barberry	#3 CC	8	3	24
MKL	Miss Kim Lilac	#3 CC	0	0	0
GF	Gold Tide Forsythia	#3 CC	0	0	0
AH	Annabelle Hydrangeas	#3 CC	10	3	30
Evergreens					
BA	Brandon Arbor Vitae	4" BB	25	10	250
TY	Taunton Yew	18"BB	18	4	72
WJ	Wisconsin Juniper	#3 CC	0	0	0
DF	Douglas Fir	6" BB	0	0	0
Perennials					
PD	Prairie Dropseed	#1 CC	0	0	0
RFG	Kort Foerster Grass	#1 CC	10	2	20
SDO	Sheila's oreg. daylily	#1 CC	42	2	84
AJS	Autumn Joy Sedum	#1 CC	3	2	6
LBS	Little Bluestem	#1 CC	0	0	0
CAD	Chicago Apache Daylily	#1 CC	9	2	18
NEW LANDSCAPING POINTS NEEDED: 932					POINTS ACHIEVED: 951


PLAN NOTES:

- ALL TOPSOIL TO BE IN PLACE TO WITHIN 1" OF FINAL GRADE BEFORE DECORATIVE LANDSCAPING STARTS
- BED BORDERS TO BE INSTALLED WITH DIMEX PRO EDGING EXCEPT WITHIN CONCRETE BORDERS
- 3" #2 WASHED STONE MULCH/WEED BARRIER IN ALL BEDS NEAR BUILDING AND P LOT
- ALL SINGLE OUTER TREES TO RECEIVE 3-4 FT DIAM. SHREDED BARK MULCH RING
- ALL SINGLE OUTER EVERGREEN TREES TO RECEIVE 3-4 FT DIAM. SHREDED BARK RING
- GRASS AREAS SHALL BE FINE GRADED, SEEDED (W/ APPROVED SEED) AT A RATE OF 4#/1000SQFT, FERTILIZED WITH 10-10-10 AND MULCHED WITH CHIPPED STRAW
- PLANT MATERIAL PROVIDED BY QUALIFIED NURSERY AND INSTALLED BY QUALIFIED AND EXPERIENCED INSTALLER
- PLANTS TO BE WATERED DAILY BY INSTALLER UNTIL COMPLETION. WATERING IS THEN OWNER'S RESPONSIBILITY.
- DECORATIVE BOULDERS AS SHOWN
- MAINTENANCE/CARE PACKET TO BE PROVIDED BY CONTRACTOR FOR OWNER UPON COMPLETION
- NURSERY STOCK GUARANTEED FOR 1 YEAR; ALL SUBJECT TO AVAILABILITY
- BIORETENTION AREAS SHALL BE IN PLACE BEFORE DECORATIVE LANDSCAPING STARTS.
- PLUGS TO BE PLANTED 1 FT O.C.; BED TO BE MULCHED WITH 2" SHOES AGED (12 MO.) SHREDED BARK MULCH
- PLANTING TO COMMENCE IN THE SPRING WHEN PLUGS ARE AVAILABLE

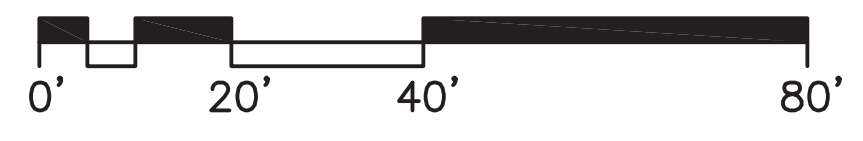
PLANT LIST:

AQUILEGIA CANADENSIS	COLUMBINE	1-3FT
ASCLEPIAS TUBEROSA	BUTTERFLYWEED	1-3FT
ASTER AZUREUS	ASTER	1-2'
ORIEOLE CLARIA	TURTLEHEAD	DATE
ECHINACEA PURPUREA	PURPLE CONEFLOWER	2-3FT
ESPAUTORIUM	JOE PYE WED	2-3'
IRIS VIRGINIANA	BLUE FLAG IRIS	1-3FT
LIASTRIS SPICATA	BLAZING STAR	1-3FT
PHLOX PILOSA	PRAIRIE PHLOX	1-3FT
RUDEBECKIA HIRTA	BLACK EYED SUSAN	2-3FT

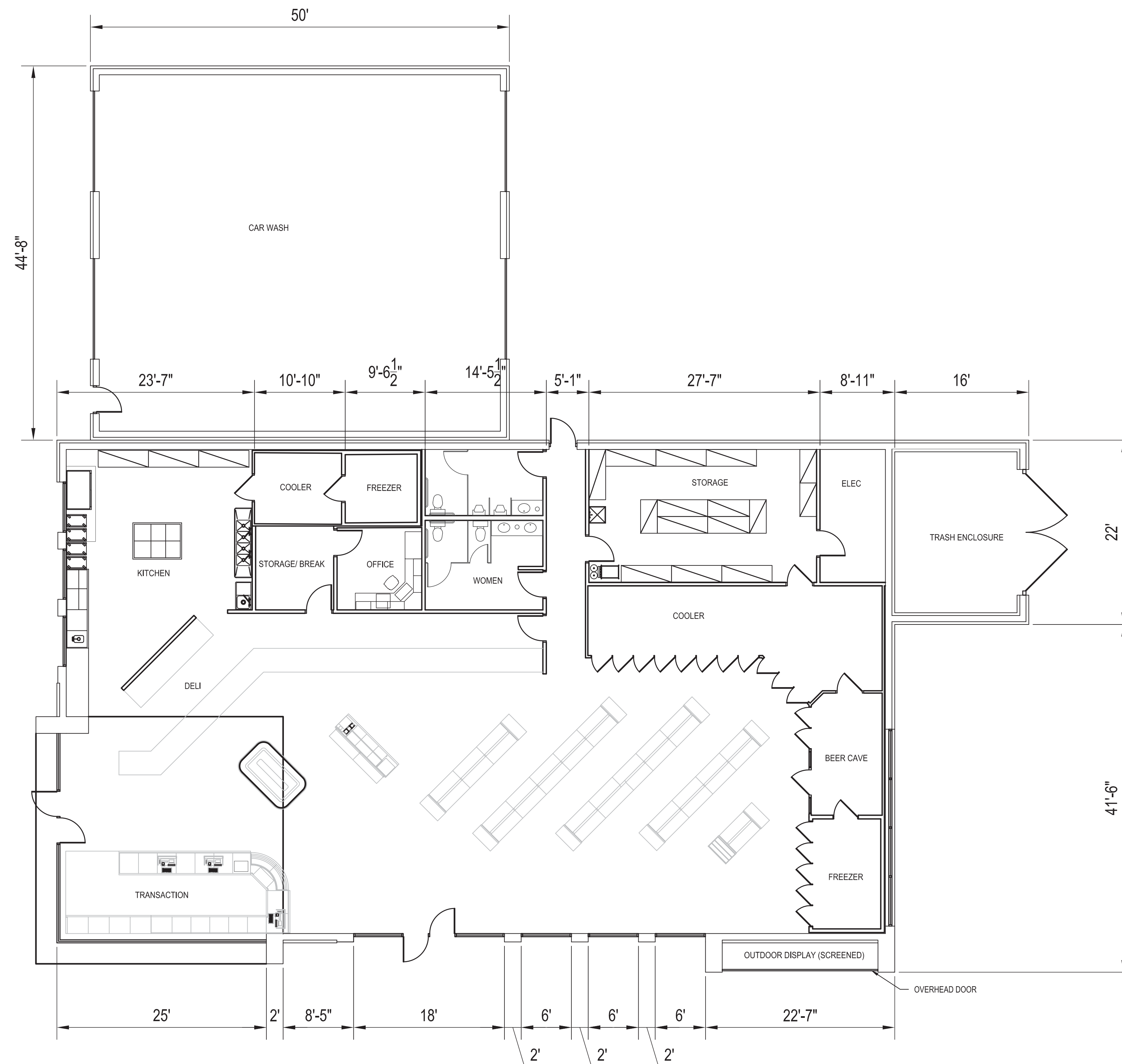
1605Q FT PER BED= 160 PLANTS PER BED



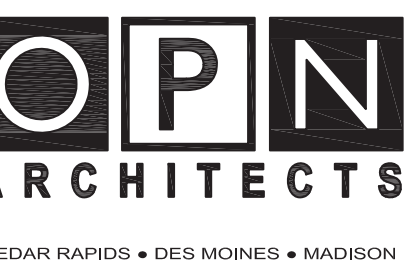
OPN ARCHITECTS
 SITE STUDY FOR PDQ
 3520 EAST WASHINGTON AVENUE
 DATE 4.30.2015



EAST WASHINGTON AVENUE



1 FLOOR PLAN
1/8" = 1'-0"



OPN ARCHITECTS, INC.
301 N. BROOM ST., SUITE 100
MADISON, WI 53703
608/819-0260 PHONE
www.opnarchitects.com
opn@opnarchitects.com



All reports, plans, specifications, computer files, field data, notes and other documents and instruments prepared by OPN Architects, Inc. as instruments of service shall remain the property of OPN Architects, Inc. OPN Architects, Inc. shall retain all common law, statutory and other reserved rights, including the copyright therein.

© 2015 OPN Architects, Inc.

Client
PDQ FOOD STORES
3520 East Washington Ave
Madison, WI 53704

Architect of Record
OPN ARCHITECTS
301 N. Broom Street, Suite 100
Madison, WI 53703

Contractor
SUPREME STRUCTURES
2906 Marketplace Drive, Suite A
Madison, WI 53719

Project
PDQ FOOD STORES
3520 E WASHINGTON AVE
MADISON, WI 53704

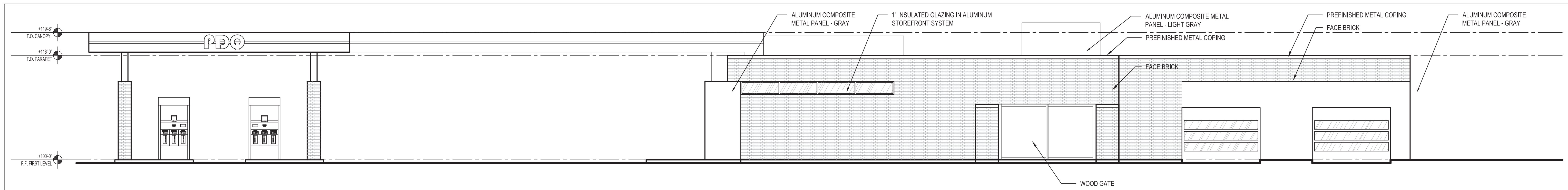


Issue & Revision Dates

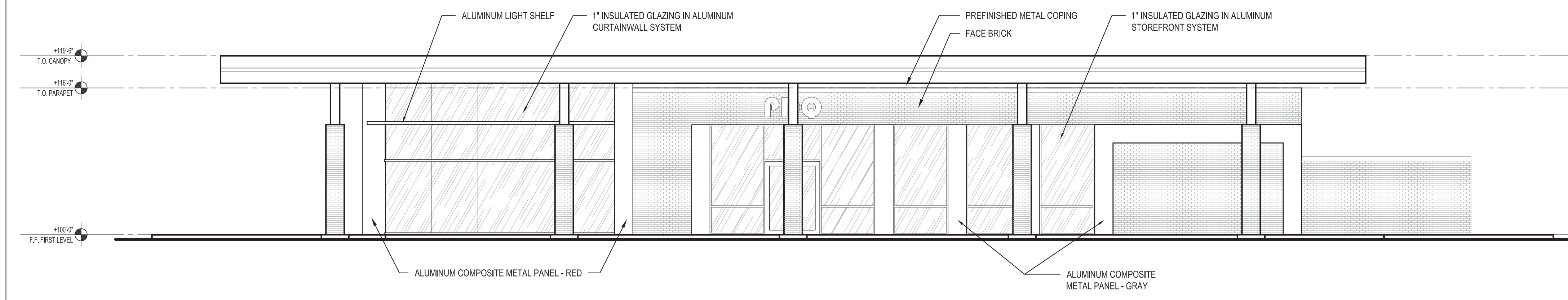
CITY OF MADISON STAFF REVIEW	04.08.2015
CITY OF MADISON DAT PRESENTATION	04.23.2015
NEIGHBORHOOD REVIEW	05.18.2015
UDC INFORMATIONAL PRESENTATION	05.20.2015
UDC SUBMITTAL	05.27.2015
UDC REVISION	06.17.2015

Drawing
FIRST FLOOR PLAN

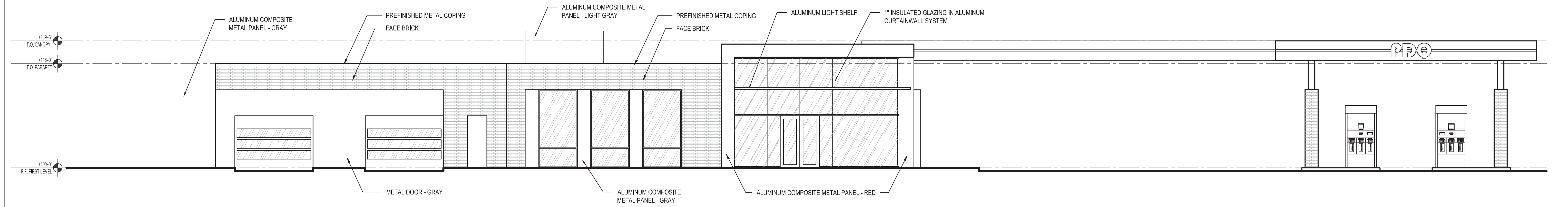
OPN Project No. 15603000



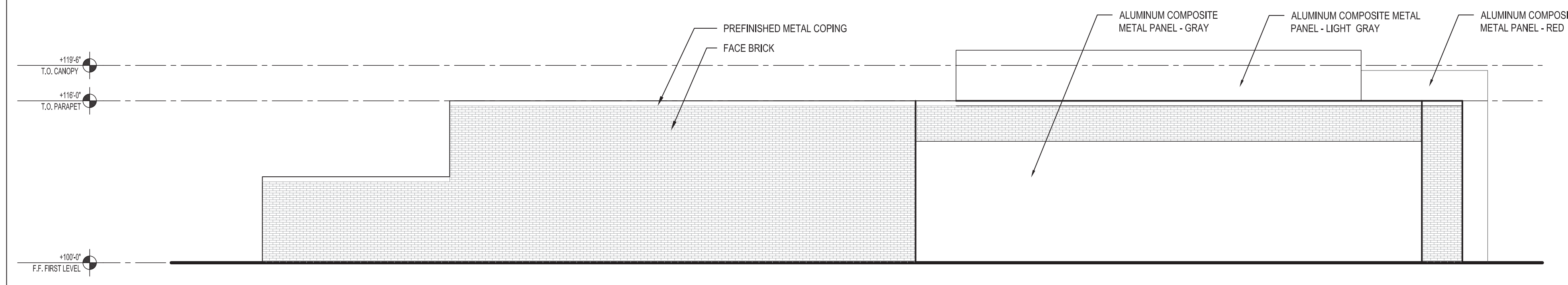
1 NORTH ELEVATION - RIDGEWAY AVE
1/8" = 1'-0"



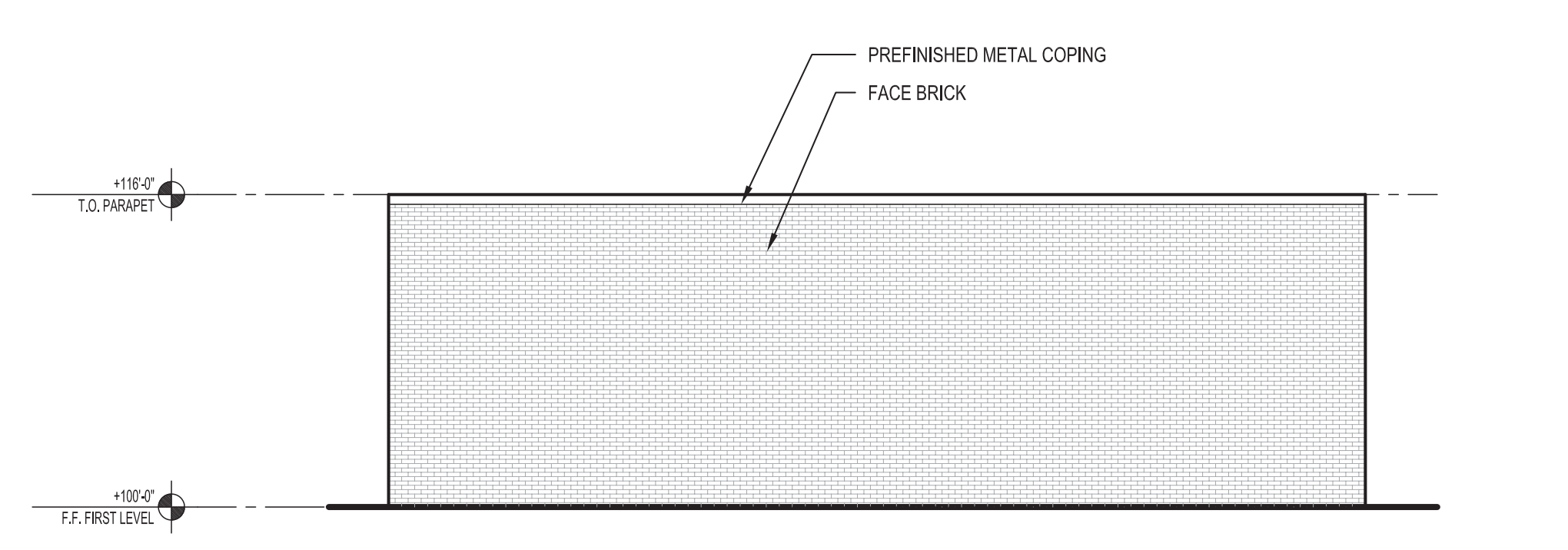
2 EAST ELEVATION - SCHMEDEMAN AVE
1/8" = 1'-0"



3 SOUTH ELEVATION - EAST WASHINGTON AVE
1/8" = 1'-0"



4 WEST ELEVATION
1/8" = 1'-0"



5 CAR WASH - EAST ELEVATION
1/8" = 1'-0"



CEDAR RAPIDS • DES MOINES • MADISON

OPN ARCHITECTS, INC.
301 N. BROOM ST., SUITE 100
MADISON, WI 53703
608/819-0260 PHONE
www.opnarchitects.com
opn@opnarchitects.com



All reports, plans, specifications, computer files, field data, notes and other documents and instruments prepared by OPN Architects, Inc. as instruments of service shall remain the property of OPN Architects, Inc. OPN Architects, Inc. shall retain all common law, statutory and other reserved rights, including the copyright therein.

© 2015 OPN Architects, Inc.

Client
PDQ FOOD STORES
3520 East Washington Ave
Madison, WI 53704

Architect of Record
OPN ARCHITECTS
301 N. Broom Street, Suite 100
Madison, WI 53703

Contractor
SUPREME STRUCTURES
2906 Marketplace Drive, Suite A
Madison, WI 53719

Project
PDQ FOOD STORES
3520 E WASHINGTON AVE
MADISON, WI 53704



Issue & Revision Dates

CITY OF MADISON STAFF REVIEW	04.08.2015
CITY OF MADISON DAT PRESENTATION	04.23.2015
NEIGHBORHOOD REVIEW	05.18.2015
UDC INFORMATIONAL PRESENTATION	05.20.2015
UDC SUBMITTAL	05.27.2015
UDC REVISION	06.17.2015

Drawing
EXTERIOR ELEVATIONS

OPN Project No. 15603000

SITE AERIAL



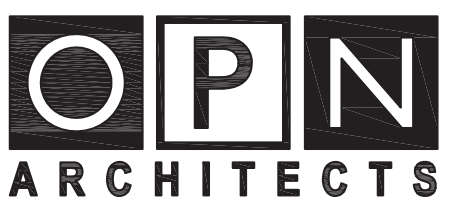
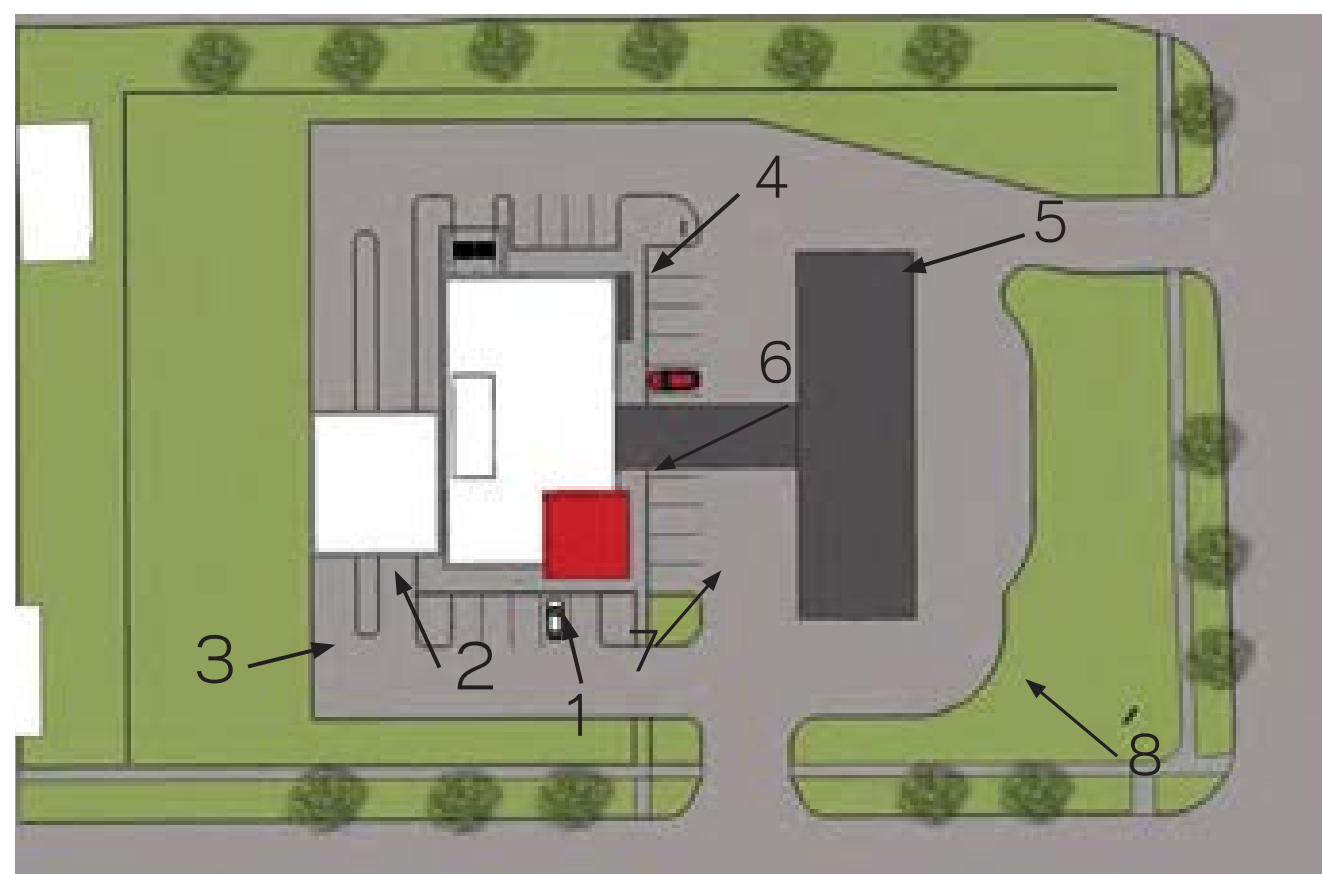
EAST WASHINGTON - WEST APPROACH



EAST WASHINGTON - EAST APPROACH



RIDGEWAY AND SCHEDEMAN INTERSECTION



CEDAR RAPIDS • DES MOINES • MADISON

OPN ARCHITECTS, INC.
301 N. BROOM ST., SUITE 100
MADISON, WI 53703
608/819-0260 PHONE
www.opnarchitects.com
opn@opnarchitects.com



All reports, plans, specifications, computer files, field data, notes and other documents and instruments prepared by OPN Architects, Inc. as instruments of service shall remain the property of OPN Architects, Inc. OPN Architects, Inc. shall retain all common law, statutory and other reserved rights, including the copyright therein.

© 2015 OPN Architects, Inc.

Client
PDQ FOOD STORES
3520 East Washington Ave
Madison, WI 53704

Architect of Record
OPN ARCHITECTS
301 N. Broom Street, Suite 100
Madison, WI 53703

Contractor
SUPREME STRUCTURES
2306 Marketplace Drive, Suite A
Madison, WI 53719

Project
PDQ FOOD STORES
3520 E WASHINGTON AVE
MADISON, WI 53704



Issue & Revision Dates

CITY OF MADISON STAFF REVIEW	04.06.2015
CITY OF MADISON DAT PRESENTATION	04.23.2015
NEIGHBORHOOD REVIEW	05.18.2015
UDC INFORMATIONAL PRESENTATION	05.20.2015
UDC SUBMITTAL	05.27.2015
UDC SUBMITTAL	06.17.2015

Drawing
PROPOSED SITE STUDY

OPN Project No. 15603000



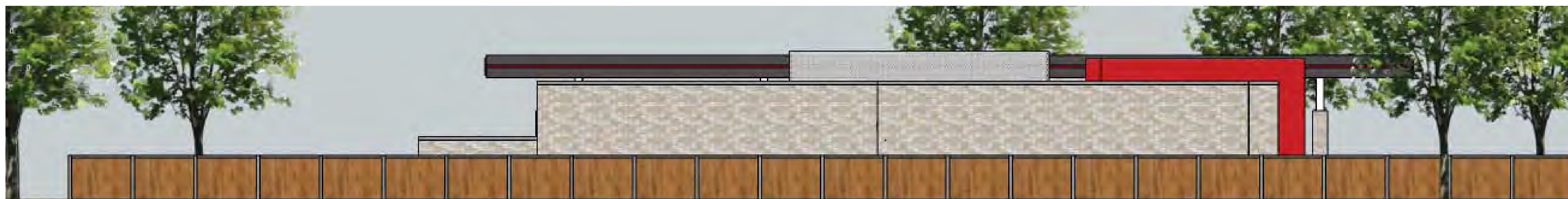
SOUTH ELEVATION



EAST ELEVATION



NORTH ELEVATION



WEST ELEVATION



MATERIAL: BR-1
COLOR: ROYAL GRAY VELOUR
MANUFACTURER: GENERAL SHALE BRICK



MATERIAL: MT-1
COLOR: CNC CHARCOAL
(3MM4CNC8)MANUFACTURER:
ALPOLIC



MATERIAL: MT-2
COLOR: RON RED (4MM4RON8)
MANUFACTURER: ALPOLIC



MATERIAL: MT-3
COLOR: AGT GREY (4MM4AGT8)
MANUFACTURER: ALPOLIC



MATERIAL: PT-1
TYPE: DTM ACRYLIC PRIMER/
FINISH
COLOR: WHITE (B66W1)
MANUFACTURER: SHERWIN-
WILLIAMS



MATERIAL: WD-1
COLOR: CEDAR NATURALTONE
(ON CEDAR)
MANUFACTURER: OLYMPIC



MATERIAL: GL-1
TYPE: 1/4" (6MM) PPG SOLARBAN®
60 ON STARPHIRE LOW-E #2 OR
#3
MANUFACTURER: OLD CASTLE
BUILDING ENVELOPE

Issue & Revision Dates

CITY OF MADISON STAFF REVIEW	04.06.2015
CITY OF MADISON DAT PRESENTATION	04.23.2015
NEIGHBORHOOD REVIEW	05.18.2015
UDC INFORMATIONAL PRESENTATION	05.20.2015
UDC SUBMITTAL	05.27.2015
UDC SUBMITTAL	06.17.2015

MUNICIPALITY
SUBMITTAL
DRAWING
6-16-15



ILLUMINANCE VALUES ARE BASED ON THE ASSUMPTIONS OF THE ILLUMINANCE CALCULATION. THE ILLUMINANCE VALUES ARE NOT A GUARANTEE OF THE ILLUMINANCE LEVELS. THE ILLUMINANCE VALUES ARE NOT A GUARANTEE OF THE ILLUMINANCE LEVELS. THE ILLUMINANCE VALUES ARE NOT A GUARANTEE OF THE ILLUMINANCE LEVELS.

Site	
Illuminance Values (Fc)	
Average	=3.30
Maximum	=26.9
Minimum	=0.5
Avg/Min Ratio	=6.60
Max/Min Ratio	=53.80
Max/Avg Ratio	=8.15
Canopy	
Illuminance Values (Fc)	
Average	=25.57
Maximum	=31.0
Minimum	=14.6
Avg/Min Ratio	=1.75
Max/Min Ratio	=2.12
Max/Avg Ratio	=1.21

Revisions		
No.	Description	Date

FIRM NAME AND ADDRESS:
Lyons Electric
75 Enterprise Rd.
Delafield, WI 53018

CONTACT INFORMATION:
Mark Bealhen
Main: (262)-646-6828
Fax: (262)-646-6829

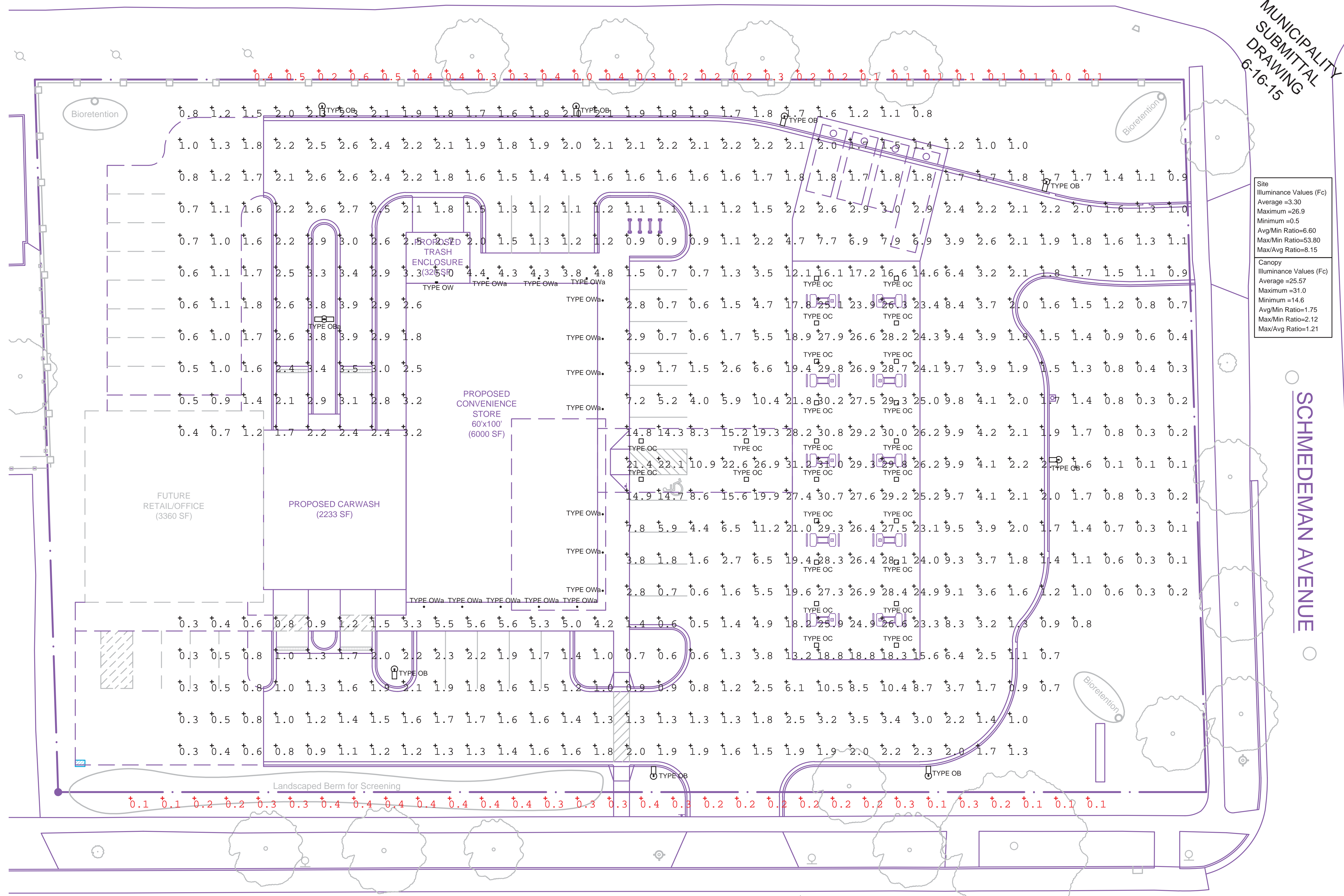
PROJECT NAME:
**PDQ - SITE
PHOTOMETRICS**
3520 East Washington Avenue
Madison, WI

SHEET TITLE:
Photometric Site Plan

DRAWN BY:
KRK
DATE DRAWN:
5-26-15
APPROVED BY:
KRK

Sheet Of
110

SHEET:
ES100



SITE PHOTOMETRIC PLAN
NTS



LYONS ELECTRIC IS NOT LIABLE OR HELD RESPONSIBLE FOR THE INSTALL ASSOCIATED WITH THIS DRAWING SET. THE INSTALLING ELECTRICAL CONTRACTOR ASSUMES FULL RESPONSIBILITY FOR A FULLY CODE COMPLIANT ELECTRICAL SYSTEM REGARDLESS OF THE INFORMATION FOUND IN THIS DRAWING SET.

MUNICIPALITY
SUBMITTAL
DRAWING
6-16-15



FOR THE CITY OF MADISON, WISCONSIN, THE CITY ENGINEER HAS REVIEWED THIS DRAWING FOR TECHNICAL ACCURACY AND COMPLIANCE WITH THE CITY OF MADISON ELECTRICAL CODE. THE CITY ENGINEER'S REVIEW IS LIMITED TO TECHNICAL ACCURACY AND COMPLIANCE WITH THE CITY OF MADISON ELECTRICAL CODE. THE CITY ENGINEER DOES NOT ASSUME RESPONSIBILITY FOR THE DESIGN OR THE INSTALLATION OF THE SYSTEM DESCRIBED IN THIS DRAWING. THE CONTRACTOR SHALL BE RESPONSIBLE FOR OBTAINING ALL NECESSARY PERMITS AND FOR THE PROPER INSTALLATION AND MAINTENANCE OF THE SYSTEM DESCRIBED IN THIS DRAWING. THE CONTRACTOR SHALL BE RESPONSIBLE FOR THE PROTECTION OF ALL UTILITIES AND STRUCTURES ON THE SITE. THE CONTRACTOR SHALL BE RESPONSIBLE FOR THE PROTECTION OF ALL UTILITIES AND STRUCTURES ON THE SITE.

DESCRIPTION

The classic lines and sophisticated construction of Vision Site LED makes it an ideal complement to site design. Offering LED technology across AVS and AVM, Vision provides true family scaling in both physical form and lumen capability for architectural site lighting applications. UL/cUL listed for use in wet locations.

SPECIFICATION FEATURES

Construction
HOUSING: Heavy wall, one piece die-cast aluminum housing has precise tolerance control and repeatability in manufacturing. Housing features a partition wall that isolates driver components for cooler operation. Integral aluminum heat sink provides superior heat transfer in +40°C ambient environment. **DOOR:** One-piece, die-cast aluminum construction with tool-less release latch. Door swings down and is retained on two (2) catch hinges. **GASKET:** Continuous gasket provided to seal housing to optic tray. **LENS:** Downlight lens is LED board integrated acrylic over-optics, each individually sealed for IP66 rating. **HARDWARE:** Tool-less release button latches are stainless steel/aluminum construction, painted to match housing and allows access to internal housing and electrical components.

Optics
DISTRIBUTION: Primary downlight distribution offers a choice of thirteen (13) patented, high efficiency AccuLED Optics™ that maximize light collection and directional distribution onto the application region. Each optical lens is precision manufactured via injection molding then precisely arranged and sealed on the board media. **LEDs:** High output LEDs, 50,000+ hours life at >70% lumen maintenance, offered standard in 4000°K (+/- 275K) CCT and nominal 70 CRI. LightBAR optic tray is able to rotate 360° in 90° increments for specific placement of the distribution relative to fixture.

Electrical
DRIVER: LED drivers are potted and heat sunk for optimal performance and prolonged life. Standard drivers feature electronic universal voltage (120-277V/50-60Hz), greater than 0.9 power factor, less than 20% harmonic distortion and feature ambient temperature range of +40°C (104°F) down to minimum starting temperature of -30°C (-22°F). Shipped standard with Cooper Lighting proprietary circuit module designed to withstand 10kV of transient line surge. All LED LightBARs and drivers are mounted to dedicated mounting trays and are easily replaced by use of quick disconnects for ease of wiring. Driver tray is hinged and removable without the use of tools. Options to control light levels, energy savings and egress capabilities (battery pack and separate circuit) are available.

Mounting
ARM: One-piece extruded aluminum arm available in standard 6" and 10" lengths. Internal bolts guides allow easy positioning of fixture during installation to pole or wall surface. **STRUCTURAL MOUNT:** Die-cast aluminum cleat factory mounted to luminaire and finished in luminaire color. Stainless steel structural rod measures 1/2" in diameter and is provided in luminaire finish color or optional natural finish. Product works in conjunction with dedicated accessory arms (ordered separately). Invue poles are provided pre-drilled when structural mount option drill pattern is specified. See Invue poles section for complete selection. Additional mounting accessories available.

STREETWORKS™ energy solutions

Catalog #	AVM-B04-LED-E-U-T3A-BZ-SA1050-BZ	Type	OB & Oba
Project	PDQ Washington Avenue	Date	5-26-15
Comments	Single Head Pole & Dual Head Pole		
Prepared by	KRK		



AVM VISION SITE MEDIUM LED

1 - 8 LightBARs
Solid State LED

ARCHITECTURAL LED AREA/SITE LUMINAIRE



CERTIFICATION DATA
UL/cUL Listed
ISO 9001
IP66 LightBARs
ARRA Compliant

ENERGY DATA
Electronic LED Driver
>0.9 Power Factor
<20% Total Harmonic Distortion
120-277V/50 & 60Hz, 347V/60Hz, 480V/60Hz
-30°C Minimum Temperature
40°C Ambient Temperature Rating

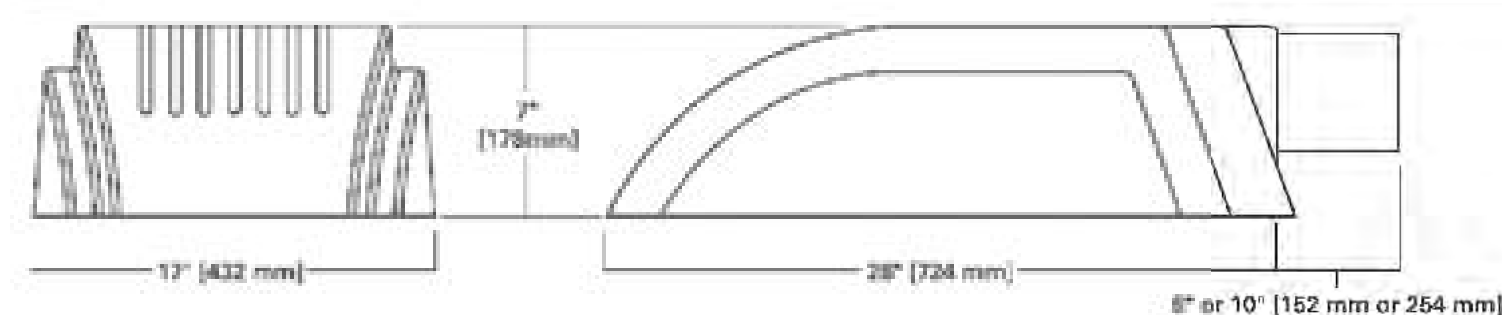
EPA
Effective Projected Area: (6sq. Ft.)
Single: ~1.6 (max.)
Single Structural: ~1.82 (max.)

SHIPPING DATA
Approximate Net Weight:
51 lbs. (23.18 kgs.)



ADW100028
2012-12-19 11:53:57

DIMENSIONS



COOPER Lighting
www.cooperlighting.com

POWER AND LUMENS BY BAR COUNT

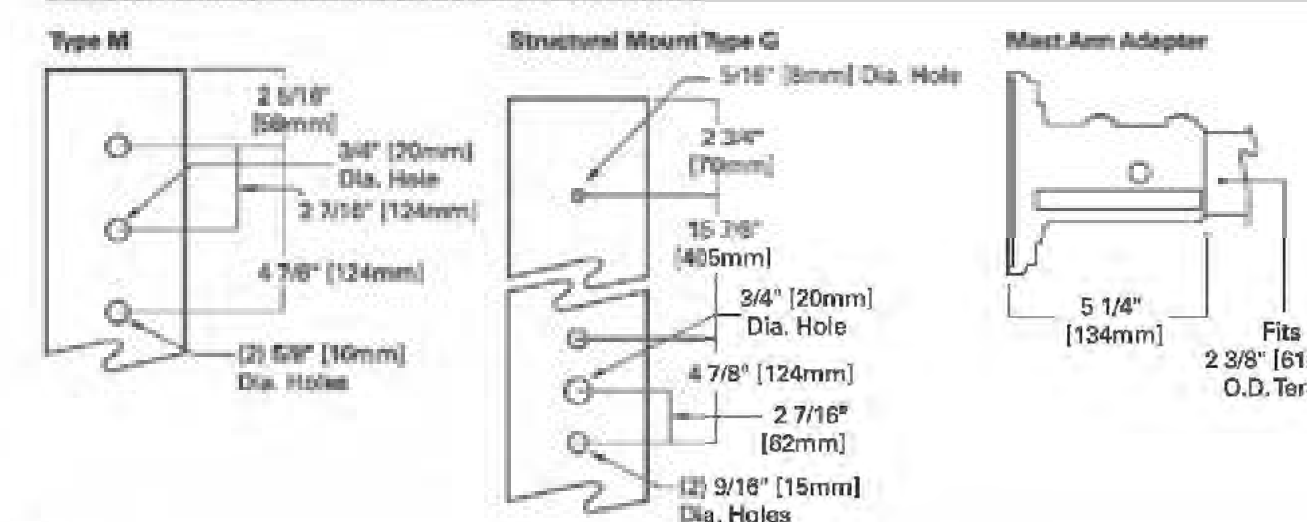
AVM VISION SITE MEDIUM LED

Number of LightBARs	DISTRIBUTION														
	Power [Watts]	Current @ 120V [A]	Current @ 277V [A]	T2A	T3A	T3S	T4S	SL2	SL3	SL4	5WQ	5WQ	5XQ	RWQ	SLR/SLL
7 LED LIGHTBAR															
C02	54	0.46	0.21	3,500	3,469	3,391	3,495	3,484	3,868	3,947	3,711	3,734	3,905	3,540	3,300
C03	77	0.65	0.29	5,291	5,230	5,112	5,289	5,352	5,078	5,048	5,594	5,674	5,438	5,337	4,829
C04	121	0.88	0.37	8,983	8,902	8,741	8,954	8,923	8,702	8,680	8,283	8,419	8,174	7,943	8,373
C05	131	1.11	0.50	8,362	8,265	8,079	8,327	8,309	8,025	7,975	8,841	8,872	8,680	8,434	7,831
C06	154	1.3	0.58	10,119	10,002	9,777	10,077	10,045	9,712	9,651	10,659	10,727	10,396	10,206	9,295
21 LED LIGHTBAR															
B02	51	0.43	0.20	4,317	4,287	4,171	4,299	4,285	4,143	4,117	4,384	4,380	4,435	4,354	3,940
B03	73	0.62	0.28	6,506	6,433	6,288	6,481	6,460	6,246	6,207	6,881	6,906	6,886	6,564	5,939
B04	95	0.81	0.36	8,688	8,490	8,299	8,554	8,526	8,244	8,192	8,081	8,114	8,824	8,683	7,838
B05	134	1.05	0.48	10,285	10,166	10,165	9,938	10,209	9,871	9,809	10,874	10,913	10,565	10,373	9,386
B06	146	1.24	0.58	12,446	12,362	12,362	12,028	12,355	11,846	11,871	13,169	13,207	12,786	12,564	11,369

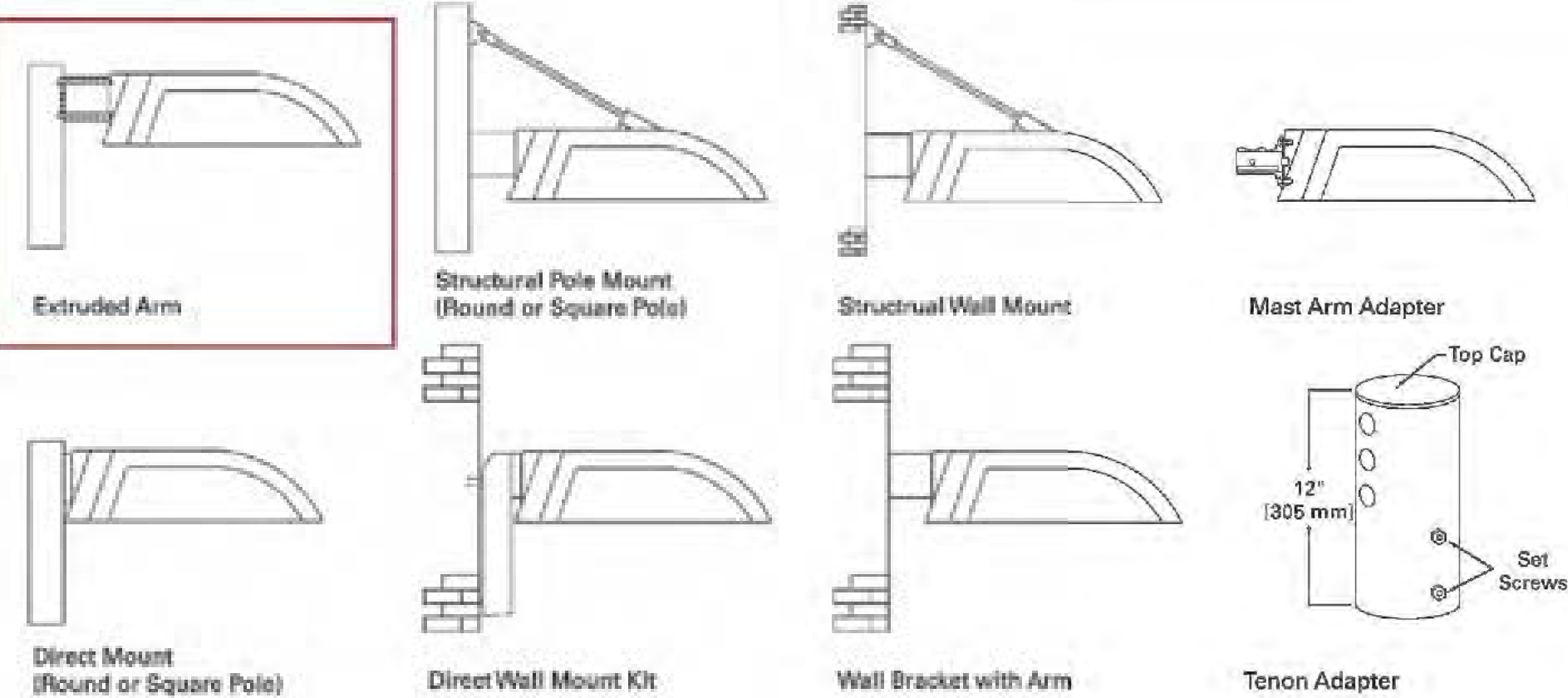
LUMEN MULTIPLIER

Ambient Temperature	Lumen Multiplier
10°C	1.04
15°C	1.03
25°C	1.00
40°C	0.90

POLE DRILLING PATTERNS AND MOUNTING OPTIONS



MOUNTING OPTIONS AND ACCESSORIES



MOUNTING VARIATIONS



COOPER Lighting
www.cooperlighting.com

NOTE: Specifications and dimensions subject to change without notice.
Visit our web site at www.cooperlighting.com
Customer First Center 1121 Highway 74 South Peachtree City, GA 30269 770.486.4800 FAX 770.486.4801

ADW100028
2012-12-19 11:53:57

Revisions

No.	Description	Date

FIRM NAME AND ADDRESS:

Lyons Electric
75 Enterprise Rd.
Delafeld, WI 53018

CONTACT INFORMATION:

Mark Bealhen
Main: (262)-646-6828
Fax: (262)-646-6829

PROJECT NAME:

PDQ - SITE
PHOTOMETRICS

3520 East Washington Avenue
Madison, WI

SHEET TITLE:

Photometric Site Plan
Cut Sheets

DRAWN BY:
KRK
DATE DRAWN:
5-26-15

APPROVED BY:
KRK

Sheet Of

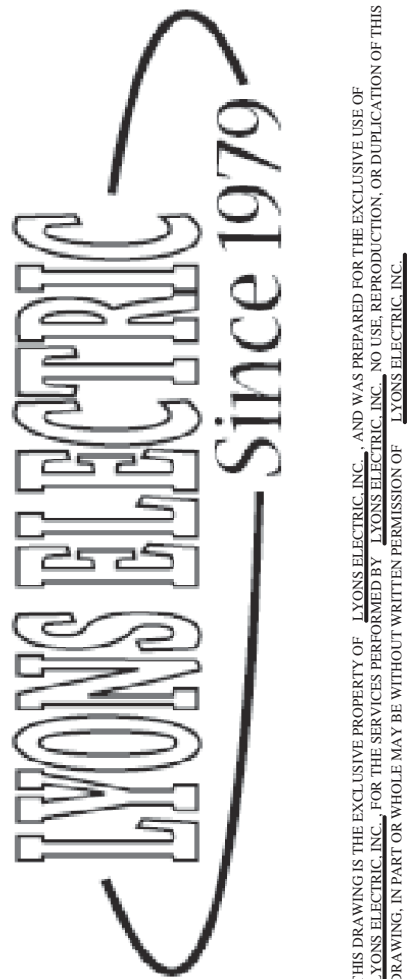
2 10

SHEET:

ES101

LYONS ELECTRIC IS NOT LIABLE OR HELD RESPONSIBLE FOR THE INSTALL ASSOCIATED WITH THIS DRAWING SET. THE INSTALLING ELECTRICAL CONTRACTOR ASSUMES FULL RESPONSIBILITY FOR A FULLY CODE COMPLIANT ELECTRICAL SYSTEM REGARDLESS OF THE INFORMATION FOUND IN THIS DRAWING SET.

MUNICIPALITY
SUBMITTAL
DRAWING
6-16-15



THE MANUFACTURER OF THE PRODUCTS SHOWN ON THESE DRAWINGS IS LYONS ELECTRIC, INC. AND IS NOT RESPONSIBLE FOR THE QUALITY OF THE INSTALLATION OR THE USE OF THE PRODUCTS SHOWN ON THESE DRAWINGS. THE USER OF THESE DRAWINGS SHALL BE RESPONSIBLE FOR THE QUALITY OF THE INSTALLATION AND THE USE OF THE PRODUCTS SHOWN ON THESE DRAWINGS.

AVM VISION SITE MEDIUM LED

ORDERING INFORMATION

SAMPLE NUMBER: AVM04LELUT38APCF5

AVM	LED		
------------	------------	--	--

Product Family
AVM-Vision Site Medium

Number of LightBAs
B01-[1] 21 LED LightBA
B02-[2] 21 LED LightBA
B03-[3] 21 LED LightBA
B04-[4] 21 LED LightBA
B05-[5] 21 LED LightBA
B06-[6] 21 LED LightBA
B07-[7] 21 LED LightBA
B08-[8] 21 LED LightBA
B09-[9] 21 LED LightBA
B10-[10] 21 LED LightBA
B11-[11] 7 LED LightBA
B12-[12] 7 LED LightBA
B13-[13] 7 LED LightBA
B14-[14] 7 LED LightBA
B15-[15] 7 LED LightBA
B16-[16] 7 LED LightBA

Lamp Type
LED Solid State
Light Emitting Diodes

Ballast Type
E-Electronic

Voltage
UL-Universal (120-277V)
B-60V
9-247V

Notes:
1 Arm not included. Order separately, see accessories.
2 21 LED LightBA powered at 300mA, 7 LED LightBA powered at 1A.
3 Standard 600K CCT and nominal 70 CRI.
4 Custom and IMA color matching available upon request. Consult your Cooper Lighting Representative for further information.
5 Add as suffix in the order status.
6 Compatible with 10' BA1081 arm only.
7 Compatible with 10' BA1063 arm only.
8 Wall mount structural options do not include arm assembly (see accessories). Compatible with 10' BA1081 arm only.
9 Add as suffix.
10 Lowest output status by far count. Consult factory. Requires quantity of two or more LightBAs.
11 Consult customer service for best steps and turn indicator.
12 Order separately please XX with color suffix.
13 Use when mounting fixture heads at 90 degree increments.
14 For use in demanding applications only.
15 Includes arm only. Must specify CPW or CSW in fixture ordering leg. Downlight only.
16 Includes arm only. Must specify CPW or CSW in fixture ordering leg. Downlight only.

Cooper Lighting® Consortium Qualified. Refer to www.cooperlighting.com Qualified Products List under Family Models for details.

Distribution
TSA-Type III Area
T3B-Type III Short
T4B-Type IV Short
SL2-Type II w/Spill Control
SL3-Type II w/Spill Control
SL4-Type IV w/Spill Control
SM2-Type V Square Medium
SM3-Type V Square Wide
RWD-Rectangular Wide
SL-90 Degree Spill Light
Eliminator Left
SLR-90 Degree Spill Light
Eliminator Right

Coates
BZ-Bronze
AD-Gray
BK-Black
WH-White
DP-Dark Platinum
GM-Graphite Metallic

Structural Options
CPB-Strut Rod/Square Pole
Stainless Steel
CPR-Strut Rod/Round Pole
Stainless Steel
CPW-Strut Rod/Wall Mount
CSW-Strut Rod/Wall Mount
Stainless Steel

Options
3-Three position Terminal Block
4-NEMA Photocontrol Receptacle
U-UL Listed/CEA Certified
ZL-UL Level Switching
7000-70 CRI 5000K CCT
8030-60 CRI 3000K CCT

Accessories
BA1092-XX-1 Arm for Square Pole
BA1091-XX-10 Arm for Square Pole
BA1092-XX-6 Arm for Round Pole
BA1093-XX-10 Arm for Round Pole
BA1098-XX-Wall Bracket with 6' Arm
BA1094-XX-Direct Mount for Square Pole
BA1097-XX-Direct Mount for Round Pole
BA1291-XX-Direct Wall Mount Kit
SA1297-XX-Adjust Arm Adapter
SA1231-XX-Structural Mount Wall Mount Arm
SA1017-XX-Single-arm Tenon Adapter for 2 3/8" O.D. Tenon
SA1018-XX-2 @ 180 Degree Tenon Adapter for 2 3/8" O.D. Tenon
SA1018-XX-3 @ 120 Degree Tenon Adapter for 2 3/8" O.D. Tenon
SA1116-XX-2 @ 90 Degree Tenon Adapter for 2 3/8" O.D. Tenon
SA1116-XX-3 @ 120 Degree Tenon Adapter for 2 3/8" O.D. Tenon
SA1010-XX-Single-arm Tenon Adapter for 3 1/2" O.D. Tenon
SA1011-XX-2 @ 180 Degree Tenon Adapter for 3 1/2" Tenon
SA1012-XX-3 @ 120 Degree Tenon Adapter for 3 1/2" O.D. Tenon
SA1013-XX-4 @ 90 Degree Tenon Adapter for 3 1/2" O.D. Tenon
SA1014-XX-2 @ 90 Degree Tenon Adapter for 3 1/2" O.D. Tenon
SA1015-XX-2 @ 120 Degree Tenon Adapter for 3 1/2" O.D. Tenon
SA1016-XX-3 @ 90 Degree Tenon Adapter for 3 1/2" O.D. Tenon
SA1048-XX-4 @ 90 Degree Tenon Adapter for 2 3/8" O.D. Tenon
SA1048-XX-2 @ 90 Degree Tenon Adapter for 2 3/8" O.D. Tenon
SA1117-XX-Single Arm Tenon Adapter for 2 3/8" O.D. Tenon
BA1118-XX-2 @ 180 Degree Tenon Adapter for 2 3/8" O.D. Tenon
SA1119-XX-3 @ 120 Degree Tenon Adapter for 2 3/8" O.D. Tenon
DA/BA1016-NEMA Photocontrol - Multi Tap
DA/BA1027-NEMA Photocontrol - 480V
DARA1201-UL MA Photocontrol - Multi Tap - 347V
DA1223-10V Circuit Module Replacement

ADW100020
2012-12-19 11:53:57



SSS SQUARE STRAIGHT STEEL

COOPER LIGHTING

Catalog #	SSS4A20SFM1G	Type	OB
Project	PDQ Washington Avenue	Date	5-26-15
Comments	Single Head Pole		
Prepared by	KRK		

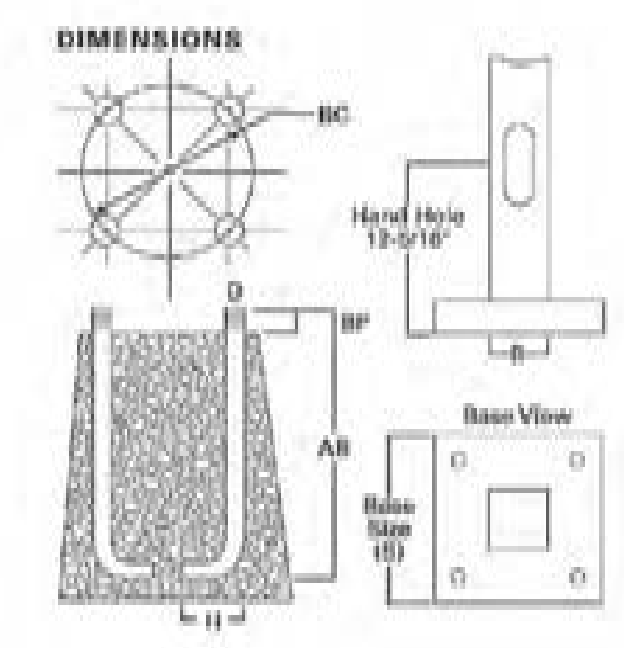
- FEATURES**
- ASTM Grade steel base plate with ASTM A366 base cover
 - Hand hole assembly 3" x 5" on 5" and 6" pole; and 2" x 4" on 4" pole
 - 10'-39" mounting heights
 - Drilled or tenon (specify)

ORDERING INFORMATION

SAMPLE NUMBER: SSS4A20SFM1G

Product Family	Shell Size (Inches)	Wall Thickness (Inches)	Mounting Height (Feet)	Base Type	Finish	Mounting Type	Number and Location of Arms	Arm Length (Feet)	Options (Add as Suffix)
888-Square Straight Steel	4-1/2" x 6-0"	1/8"	10-10' 14-15' 20-20' 25-25' 30-30' 35-35' 39-39'	S-Square Base	F-Dark Square G-Charcoal Steel J-Burnt White K-Carbon Bronze L-Dark Platinum M-Primer Powder Coat N-Hartford Green O-Biliver P-Graphite Metallic Q-Gray R-White X-Custom Color Y-Black	2-2 3/8" O.D. Tenon (4" Long) 3-3 1/2" O.D. Tenon (8" Long) 4-4" O.D. Tenon (8" Long) 6-3 3/8" O.D. Tenon (8" Long) 7-4" O.D. Tenon (10" Long)	1-6Triple 2-2 at Top 3-Triple 4-4 at 90° 5-2 at 90° X-None	A-1/2" Tapped Hub (Specify location desired) B-3/4" Tapped Hub (Specify location desired) C-Convenience Outlet D-GFCI Convenience Outlet E-Outlet F-Outlet Lip G-Optional Hub Hole L-Drilled for Bumper Glitter Mitigation Damper	

NOTES: 1. All shell sizes nominal. 2. Square poles are 3" at 90°, round poles are 3" at 180°. 3. Outlet is located 4" above base and on same side of pole as hand hole, unless specified otherwise. Receptacle not included, provision only. 4. Additional hand hole is located 12" below pole top and 90° from standard hand hole location, unless otherwise specified.



WARNING: The use of unauthorized accessories such as hangers, signs, banners or paints for which this pole was not designed voids the pole warranty from Eaton's Cooper Lighting business and may result in pole failure causing serious injury or property damage. Upon request, Eaton's Cooper Lighting business will supply information regarding total loading capacity. The pole warranty from Eaton's Cooper Lighting business is void unless poles are used and installed as a complete pole/banners system. This warranty specifically excludes failure as the result of a third party act or omission, misuse, unanticipated use, fatigue failure or similar phenomena resulting from induced vibration, harmonic vibration or resonance associated with movement of air currents around the product.

Specifications and dimensions subject to change without notice. Consult your Eaton's Cooper Lighting business representative or visit www.cooperlighting.com for available options, accessories and ordering information.

Cooper Lighting
By

ADW136483
2014-04-02 13:41:02

Revisions

No.	Description	Date

FIRM NAME AND ADDRESS:

Lyons Electric
75 Enterprise Rd.
Delafield, WI 53018

CONTACT INFORMATION:

Mark Bealhen
Main: (262)-646-6828
Fax: (262)-646-6829

PROJECT NAME:

**PDQ - SITE
PHOTOMETRICS**

3520 East Washington Avenue
Madison, WI

SHEET TITLE:

Photometric Site Plan
Cut Sheets

DRAWN BY: KRK	APPROVED BY: KRK
DATE DRAWN: 5-26-15	
Sheet	Of
3	10
SHEET:	
ES102	

LYONS ELECTRIC IS NOT LIABLE OR HELD RESPONSIBLE FOR THE INSTALLATION ASSOCIATED WITH THIS DRAWING SET. THE INSTALLING ELECTRICAL CONTRACTOR ASSUMES FULL RESPONSIBILITY FOR A FULLY CODE COMPLIANT ELECTRICAL SYSTEM REGARDLESS OF THE INFORMATION FOUND IN THIS DRAWING SET.

COOPER Lighting
www.cooperlighting.com

NOTE: Specifications and dimensions subject to change without notice.
Visit our web site at www.cooperlighting.com
Customer First Center 1121 Highway 74 South Peachtree City, GA 30289 770.486.4800 FAX 770.486.4801

MUNICIPALITY
SUBMITTAL
DRAWING
6-16-15



LYONS ELECTRIC IS NOT LIABLE OR HELD RESPONSIBLE FOR THE INSTALLATION OF THIS PRODUCT. THE USER OF THIS PRODUCT ASSUMES FULL RESPONSIBILITY FOR A FULLY CODE COMPLIANT ELECTRICAL SYSTEM REGARDLESS OF THE INFORMATION FOUND IN THIS DRAWING SET.

SSS SQUARE STRAIGHT STEEL

Effective Projected Area (At Pole Top)

Mounting Height (Feet)	Catalog Number 1,2	Wall Thickness (Inches)	Base Square 3	Bolt Circle Diameter (Inches)	Anchor Bolt Projection 7	Shaft Size 4	Anchor Bolt Diameter x Length x Hook (Inches)	Net Weight (Pounds)	Maximum Effective Projected Area (Square Feet) 4				Max. Fixture Load - Includes Bracket (Pounds)
									80 mph	90 mph	100 mph	110 mph	
10	SS5A10S	0.120	10-1/2	11	4-1/2	4	3/4 x 25 x 3	85	30.0	22.0	17.0	13.0	100
15	SS5A15S	0.120	10-1/2	11	4-1/2	4	3/4 x 25 x 3	118	15.0	11.5	8.7	6.5	100
20	SS5A20S	0.120	10-1/2	11	4-1/2	4	3/4 x 25 x 3	150	8.7	5.9	3.9	2.5	150
25	SS5A25S	0.120	10-1/2	11	4-1/2	5	3/4 x 25 x 3	183	15.4	11.1	7.9	5.5	150
25	SS5A25S	0.120	10-1/2	11	4-1/2	4	3/4 x 25 x 3	181	3.7	1.7	0.3	--	200
25	SS5A25S	0.120	10-1/2	11	5	5	3/4 x 25 x 3	222	9.3	6.0	3.5	1.8	200
25	SS5A25S	0.120	12-1/2	12-1/2	5	5	1 x 36 x 4	284	9.9	6.1	3.5	1.2	200
30	SS5A30S	0.120	10-1/2	11	4-1/2	5	3/4 x 25 x 3	280	4.7	2.1	--	--	200
30	SS5M30S	0.188	10-1/2	11	4-1/2	5	3/4 x 25 x 3	392	10.4	6.4	3.5	1.5	200
30	SS5A30S	0.120	12-1/2	12-1/2	5	5	1 x 36 x 4	330	4.3	1.4	--	--	200
30	SS5M30S	0.188	12-1/2	12-1/2	5	5	1 x 36 x 4	489	19.0	13.0	8.7	5.6	200
35	SS5M35S	0.188	10-1/2	11	4-1/2	5	3/4 x 25 x 3	453	5.8	2.8	--	--	200
35	SS5M35S	0.188	12-1/2	12-1/2	5	5	1 x 36 x 4	564	12.8	7.2	3.7	1.0	200
35	SS5M35S	0.188	12-1/2	12-1/2	5	5	1 x 36 x 4	738	18.5	11.0	6.8	3.5	200
35	SS5M35S	0.188	12-1/2	12-1/2	5	5	1 x 36 x 4	618	7.3	3.0	--	--	300
35	SS5X35S	0.250	12-1/2	12-1/2	5	5	1 x 36 x 4	816	13.0	7.0	3.7	0.8	300

Effective Projected Area (Two Feet Above Pole Top)

Mounting Height (Feet)	Catalog Number 1,2	Wall Thickness (Inches)	Base Square 3	Bolt Circle Diameter (Inches)	Anchor Bolt Projection 7	Shaft Size 4	Anchor Bolt Diameter x Length x Hook (Inches)	Net Weight (Pounds)	Maximum Effective Projected Area (Square Feet) 4				Max. Fixture Load - Includes Bracket (Pounds)
									80 mph	90 mph	100 mph	110 mph	
10	SS5A10S	0.120	10-1/2	11	4-1/2	4	3/4 x 25 x 3	85	23.0	17.5	14.0	11.0	100
15	SS5A15S	0.120	10-1/2	11	4-1/2	4	3/4 x 25 x 3	118	13.4	10.0	7.5	5.7	100
20	SS5A20S	0.120	10-1/2	11	4-1/2	4	3/4 x 25 x 3	150	7.6	5.2	3.4	2.1	150
25	SS5A25S	0.120	10-1/2	11	4-1/2	5	3/4 x 25 x 3	183	13.8	9.9	7.1	4.9	150
25	SS5A25S	0.120	10-1/2	11	4-1/2	4	3/4 x 25 x 3	181	3.4	1.6	0.3	--	200
25	SS5A25S	0.120	10-1/2	11	5	5	3/4 x 25 x 3	222	8.5	5.5	3.2	1.5	200
25	SS5A25S	0.120	12-1/2	12-1/2	5	5	1 x 36 x 4	284	9.1	5.6	3.0	1.2	200
30	SS5A30S	0.120	10-1/2	11	4-1/2	5	3/4 x 25 x 3	280	1.8	--	--	--	200
30	SS5M30S	0.188	10-1/2	11	4-1/2	5	3/4 x 25 x 3	392	9.6	5.9	1.9	0.2	200
30	SS5A30S	0.120	12-1/2	12-1/2	5	5	1 x 36 x 4	330	4.1	1.3	--	--	200
30	SS5M30S	0.188	12-1/2	12-1/2	5	5	1 x 36 x 4	489	18.5	12.5	8.4	5.3	200
35	SS5M35S	0.188	10-1/2	11	4-1/2	5	3/4 x 25 x 3	453	5.5	2.4	--	--	200
35	SS5M35S	0.188	12-1/2	12-1/2	5	5	1 x 36 x 4	564	11.8	7.0	3.5	1.0	200
35	SS5X35S	0.250	12-1/2	12-1/2	5	5	1 x 36 x 4	738	16.0	10.5	6.4	3.4	200
35	SS5M35S	0.188	12-1/2	12-1/2	5	5	1 x 36 x 4	618	7.0	2.4	--	--	300
35	SS5X35S	0.250	12-1/2	12-1/2	5	5	1 x 36 x 4	816	12.0	6.7	3.0	0.5	300

NOTES:
 1. Catalog number indicates pole with hardware kit. Anchor bolts not included. Before installing, make sure proper anchor bolts and templates are obtained from Eaton's Cooper Lighting business.
 2. Tenon size or machining for rectangular arms must be specified. Hand hole position relative to drill location.
 3. Shaft size, base square, anchor bolts and projections may vary slightly. All dimensions nominal.
 4. EPAs based on shaft properties with wind normal to flat. EPAs calculated using base wind velocity as indicated plus 30% gust factor.

Cooper Lighting
by E.T.N.

Eaton
200 Eaton Boulevard
Cleveland, OH 44122
United States
Eaton.com

Eaton's Cooper Lighting Business
101 Highway 9, Swain
Piedmont, SC 29029
P: 770-426-4520
www.cooperlighting.com

Specifications and dimensions subject to change without notice.

ADH130493
2014-04-02 13:41:02

COOPER LIGHTING

Catalog #	SS5A20SFM2G	Type	OBa
Project	PDQ Washington Avenue	Date	5-26-15
Comments	Single Head Pole		
Prepared by	KRK		

- FEATURES
- ASTM Grade steel base plate with ASTM A366 base cover
 - Hand hole assembly 3" x 5" on 5" and 6" pole; and 2" x 4" on 4" pole
 - 10'-39" mounting heights
 - Drilled or tenon (specify)



SSS SQUARE STRAIGHT STEEL

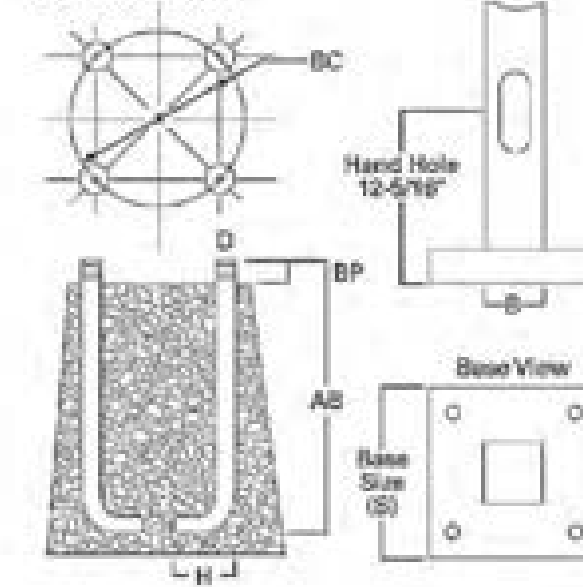
ORDERING INFORMATION

SAMPLE NUMBER: SS5A20SFM1XG

Product Family	Shaft Size (Inches) 1	Wall Thickness (Inches)	Mounting Height (Feet)	Base Type	Finish	Mounting Type	Member and Location of Arms	Arm Lengths (Feet)	Options (See Note 4)
SSS-Square Straight Steel	4-6" 6-6"	A-0.120" M-0.188" X-0.250"	10-10' 15-10' 20-20' 25-25' 30-30' 35-35' 39-39'	B-Square Steel Base	F-Dark Bronze G-Galvanized Steel J-Jacquard White K-Carbon Bronze L-Dark Platinum P-Primer Powder Coat R-Rustford Green S-Silver T-Trip-Tite Metallic V-Gray W-White X-Custom Color Y-Black	2-2-3/8" O.D. Tenon (4" Long) 3-3-1/2" O.D. Tenon (6" Long) 4-4" O.D. Tenon (8" Long) 5-5" O.D. Tenon (4" Long) 6-2-3/8" O.D. Tenon (6" Long) 7-4" O.D. Tenon (10" Long) A-Type A Drilling C-Type C Drilling E-Type E Drilling F-Type F Drilling G-Type G Drilling J-Type J Drilling K-Type K Drilling M-Type M Drilling R-Type R Drilling Z-Type Z Drilling	1-Single 2-2 at 180° 3-Triples 4-4 at 90° 5-2 at 90° X-None	A-1/2" Tapped Hub (Specify location desired) B-3/4" Tapped Hub (Specify location desired) C-Convenience Outlet* E-GFCI Convenience Outlet* G-Ground Lug H-Additional Hand Hole* L-Drilled for Bumper Glitter V-Vibration Damper	

NOTES: 1. All shaft sizes nominal. 2. Square poles are 3 at 90°, round poles are 3 at 120°. 3. Outlet is located 4" above base end on same side of pole as hand hole, unless specified otherwise. Receptacle not included, provision only. 4. Additional hand hole is located 12" below pole top and 90° from standard hand hole location, unless otherwise specified.

DIMENSIONS



WARNING: The use of unauthorized accessories such as banners, signs, cameras or permits for which the pole was not designed voids the pole warranty from Eaton's Cooper Lighting business and may result in pole failure causing serious injury or property damage. Upon request, Eaton's Cooper Lighting business will supply information regarding total loading capacity. The pole warranty from Eaton's Cooper Lighting business is void unless poles are used and installed as a complete pole/luminaire combination. This warranty specifically excludes failure as the result of a third party act or omission, misuse, unanticipated loads, fatigue failure or similar phenomena resulting from induced vibration, harmonic oscillation or resonance associated with movement of air currents around the product. Specifications and dimensions subject to change without notice. Consult your Eaton's Cooper Lighting business representative or visit www.cooperlighting.com for available options, accessories and ordering information.

Cooper Lighting
by E.T.N.

ADH130493
2014-04-02 13:41:02

Revisions

No.	Description	Date

FIRM NAME AND ADDRESS:

Lyons Electric
75 Enterprise Rd.
Delafeld, WI 53018

CONTACT INFORMATION:

Mark Bealhen
Main: (262)-646-6828
Fax: (262)-646-6829

PROJECT NAME:

PDQ - SITE
PHOTOMETRICS

3520 East Washington Avenue
Madison, WI

SHEET TITLE:

Photometric Site Plan
Cut Sheets

DRAWN BY:
KRK

DATE DRAWN:
5-26-15

APPROVED BY:
KRK

Sheet Of
4 10

SHEET:
ES103

LYONS ELECTRIC IS NOT LIABLE OR HELD RESPONSIBLE FOR THE INSTALLATION OF THIS PRODUCT. THE USER OF THIS PRODUCT ASSUMES FULL RESPONSIBILITY FOR A FULLY CODE COMPLIANT ELECTRICAL SYSTEM REGARDLESS OF THE INFORMATION FOUND IN THIS DRAWING SET.

MUNICIPALITY
SUBMITTAL
DRAWING
6-16-15

SSS SQUARE STRAIGHT STEEL

Effective Projected Area (At Pole Top)

Mounting Height (Feet)	Catalog Number ^{1, 2}	Wall Thickness (Inches)	Base Square ³ (Inches)	Bolt Circle Diameter (Inches)	Anchor Bolt Projection ⁴ (Inches)	Shaft Size ⁵ (Inches)	Anchor Bolt Diameter x Length x Hook (Inches)	Net Weight (Pounds)	Maximum Effective Projected Area (Square Feet) ⁶				Max. Fixture Load - Includes Bracket (Pounds)
									80 mph	90 mph	100 mph	110 mph	
10	SS5A10S	0.120	10-1/2	11	4-1/2	4	3/4 x 25 x 3	85	30.0	22.0	17.0	13.0	100
15	SS5A15S	0.120	10-1/2	11	4-1/2	4	3/4 x 25 x 3	118	15.0	11.5	8.7	6.5	100
20	SS5A20S	0.120	10-1/2	11	4-1/2	4	3/4 x 25 x 3	150	8.7	5.9	3.9	2.5	150
20	SS5A20S	0.120	10-1/2	11	4-1/2	5	3/4 x 25 x 3	183	15.4	11.1	7.9	5.5	150
25	SS5A25S	0.120	10-1/2	11	4-1/2	4	3/4 x 25 x 3	181	3.7	1.7	0.3	—	200
25	SS5A25S	0.120	10-1/2	11	5	5	3/4 x 25 x 3	222	9.3	6.0	3.5	1.8	200
25	SS5A25S	0.120	12-1/2	12-1/2	5	5	1 x 26 x 4	284	9.9	6.1	3.5	1.2	200
30	SS5A30S	0.120	10-1/2	11	4-1/2	5	3/4 x 25 x 3	280	4.7	2.1	—	—	200
30	SS5M30S	0.188	10-1/2	11	4-1/2	5	3/4 x 25 x 3	392	10.4	6.4	3.5	1.5	200
30	SS5A30S	0.120	12-1/2	12-1/2	5	5	1 x 26 x 4	330	4.3	1.4	—	—	200
30	SS5M30S	0.188	12-1/2	12-1/2	5	5	1 x 26 x 4	489	19.0	13.0	8.7	5.6	200
35	SS5M35S	0.188	10-1/2	11	4-1/2	5	3/4 x 25 x 3	453	5.8	2.8	—	—	200
35	SS5M35S	0.188	12-1/2	12-1/2	5	5	1 x 26 x 4	564	12.8	7.2	3.7	1.0	200
35	SS5X35S	0.250	12-1/2	12-1/2	5	5	1 x 26 x 4	738	18.5	11.0	6.8	3.5	200
39	SS5M39S	0.188	12-1/2	12-1/2	5	5	1 x 26 x 4	618	7.3	3.0	—	—	300
39	SS5X39S	0.250	12-1/2	12-1/2	5	5	1 x 26 x 4	816	13.0	7.0	3.7	0.8	300

Effective Projected Area (Two Feet Above Pole Top)

Mounting Height (Feet)	Catalog Number ^{1, 2}	Wall Thickness (Inches)	Base Square ³ (Inches)	Bolt Circle Diameter (Inches)	Anchor Bolt Projection ⁴ (Inches)	Shaft Size ⁵ (Inches)	Anchor Bolt Diameter x Length x Hook (Inches)	Net Weight (Pounds)	Maximum Effective Projected Area (Square Feet) ⁶				Max. Fixture Load - Includes Bracket (Pounds)
									80 mph	90 mph	100 mph	110 mph	
10	SS5A10S	0.120	10-1/2	11	4-1/2	4	3/4 x 25 x 3	85	23.0	17.5	14.0	11.0	100
15	SS5A15S	0.120	10-1/2	11	4-1/2	4	3/4 x 25 x 3	118	13.4	10.0	7.5	5.7	100
20	SS5A20S	0.120	10-1/2	11	4-1/2	4	3/4 x 25 x 3	150	7.6	5.2	3.4	2.1	150
20	SS5A20S	0.120	10-1/2	11	4-1/2	5	3/4 x 25 x 3	183	13.8	9.9	7.1	4.9	150
25	SS5A25S	0.120	10-1/2	11	4-1/2	4	3/4 x 25 x 3	181	3.4	1.6	0.3	—	200
25	SS5A25S	0.120	10-1/2	11	5	5	3/4 x 25 x 3	222	8.5	5.5	3.2	1.5	200
25	SS5A25S	0.120	12-1/2	12-1/2	5	5	1 x 26 x 4	284	9.1	5.6	3.0	1.2	200
30	SS5A30S	0.120	10-1/2	11	4-1/2	5	3/4 x 25 x 3	280	1.8	—	—	—	200
30	SS5M30S	0.188	10-1/2	11	4-1/2	5	3/4 x 25 x 3	392	9.6	5.9	1.9	0.2	200
30	SS5A30S	0.120	12-1/2	12-1/2	5	5	1 x 26 x 4	330	4.1	1.3	—	—	200
30	SS5M30S	0.188	12-1/2	12-1/2	5	5	1 x 26 x 4	489	18.5	12.5	8.4	5.3	200
35	SS5M35S	0.188	10-1/2	11	4-1/2	5	3/4 x 25 x 3	453	5.5	2.4	—	—	200
35	SS5M35S	0.188	12-1/2	12-1/2	5	5	1 x 26 x 4	564	11.8	7.0	3.5	1.0	200
35	SS5X35S	0.250	12-1/2	12-1/2	5	5	1 x 26 x 4	738	16.0	10.5	6.4	3.4	200
39	SS5M39S	0.188	12-1/2	12-1/2	5	5	1 x 26 x 4	618	7.0	2.4	—	—	300
39	SS5X39S	0.250	12-1/2	12-1/2	5	5	1 x 26 x 4	816	12.0	6.7	3.0	0.5	300

NOTES:
1. Catalog number indicates pole with hardware kit. Anchor bolts not included. Before installing, make sure proper anchor bolts and templates are obtained from Eaton's Cooper Lighting business.
2. Pole size or mechanical for rectangular arm must be specified. Mount hole position relative to drill location.
3. Shaft size, base square, anchor bolts and projections may vary slightly. All dimensions nominal.
4. EPA's based on shaft projection with wind normal to flat. EPA's calculated using basic wind velocity as indicated plus 30% gust factor.

Cooper Lighting
by **Eaton**

Eaton's Cooper Lighting Business
101 Highway 9, Evans, PA 15039
P: 724-488-4520
www.cooperlighting.com

Specifications and dimensions subject to change without notice.

ADH130493
2014-04-02 13:41:02

LED CANOPY LIGHT - LEGACY™ (CRUS)



DOE LIGHTING FACTS
Department of Energy has verified representative product test data and results in accordance with its Lighting Facts Program. Visit www.lightingfacts.com for specific catalog strings.

Crossover
LED LIGHTING TECHNOLOGY

US & Int'l. patents pending.
HOUSING - Low profile, durable die-cast, aluminum construction, providing a reliable weather-tight seal.
LEDS - Features an array of select, mid-power, high brightness, high efficiency LED chips: 5000K color temperature, 70 CRI (nominal).
DRIVE CURRENT - Choice of Very Low Wattage (VLW), Low Wattage (LW) or Super Saver (SS).
OPTICS / DISTRIBUTION - Choice of Symmetrical or Asymmetrical, which directs light through a clear tempered glass lens, to provide a uniform distribution of light to vertical and horizontal surfaces.
OPTICAL UNIT - Features an ultra-slim 7/8" profile die-cast housing, with a flat glass lens. Unit is water-resistant, sealed to an IP67 rating. Integral designed heat sink does not trap dirt and grime, ensuring cool running performance over the life of the fixture.
PRESSURE STABILIZING VENT - Luminaire assembly incorporates a pressure stabilizing vent breather to prevent seal fatigue and failure.

HAZARDOUS LOCATION - Designed for lighter than air fuel applications. Product is suitable for Class 1 Division 2 only when properly installed per LSI installation instructions (consult factory).
DRIVER - State-of-the-art driver technology superior energy efficiency and optimum light output. Driver components are fully encased in potting for moisture resistance. Complies with IEC and FCC standards. 0-10 V dimming supplied standard with all drive currents.
DRIVER HOUSING - Die-cast aluminum, wet location rated driver/electrical enclosure is elevated above canopy deck to prevent water entry, provide easy "knock-out" connection of primary wiring and contributes to attaining the lowest operating temperatures available. Seals to optical housing via one-piece molded silicone gasket.

OPERATING TEMPERATURE - -40°C to 50°C (-40°F to +122°F)
ELECTRICAL - Universal voltage power supply, 120-277 VAC, 50/60 HZ input. Drivers feature two-stage surge protection (including separate surge protection built into electronic driver) meets IEEE C62.41.2-2002, Scenario 1, Location Category C.
FINISH - Standard color is white and is finished with LSI's DuraGrip® polyester powder coat process. DuraGrip withstands extreme weather changes without cracking or peeling.
INSTALLATION - One person installation. No additional sealant required. Installs in a 12" or 16" deck pan. Deck penetration consists of a 4" hole, simplifying installation and water sealing. Unit is designed to quickly retrofit into existing Scottsdale (4") hole as well as openings for Encore and Encore Top Access and to reconnect wiring for the SC/ECTA without having to relocate the conduit. Retro panels are available for existing Encores (see back page) as well as kits for recessed and 2x2 installations (see separate spec sheets). Support brackets are provided standard, to prevent sagging of deck.

SHIPPING WEIGHT - 27 pounds (single pack), 48 pounds (double pack).
EXPECTED LIFE - Minimum 60,000 to 100,000 hours depending upon the ambient temperature of the installation location. See LSI web site for specific guidance.
WARRANTY - Limited 5-year warranty.
LISTING - UL and ETL listed to UL 1598, UL 8750 and other U.S. and International safety standards. Suitable for wet locations.
PHOTOMETRICS - Please visit our web site at www.lsi-industries.com for detailed photometric data.

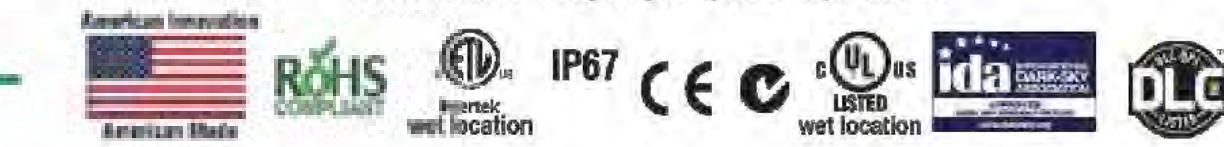
Consult Factory

Class 1, Division 2 - Standard on SS & LW.

T5 Temperature Classification - The surface temperature of this product will not rise above 100°C, within a 40°C ambient.

Gas Groups A, B, C, and D - Group A: Acetylene / Group B: Hydrogen / Group C: Propane and Ethylene / Group D: Benzene, Butane, Methane & Propane.

This product, or selected versions of this product, meet the standards listed below. Please consult factory for your specific requirements.



Project Name PDQ Washington Avenue Fixture Type Oca 01/12/15
Catalog # CRUS-SC-LED-SS-CW-UE-WHT © 2014 LSI INDUSTRIES INC.

LYONS ELECTRIC IS NOT LIABLE OR HELD RESPONSIBLE FOR THE INSTALL ASSOCIATED WITH THIS DRAWING SET. THE INSTALLING ELECTRICAL CONTRACTOR ASSUMES FULL RESPONSIBILITY FOR A FULLY CODE COMPLIANT ELECTRICAL SYSTEM REGARDLESS OF THE INFORMATION FOUND IN THIS DRAWINGS SET.

Since 1979
LYONS ELECTRIC

Revisions

No.	Description	Date

FIRM NAME AND ADDRESS:

Lyons Electric
75 Enterprise Rd.
Delafield, WI 53018

CONTACT INFORMATION:
Mark Bealhen
Main: (262)-646-6828
Fax: (262)-646-6829

PROJECT NAME:

PDDQ - SITE
PHOTOMETRICS

3520 East Washington Avenue
Madison, WI

SHEET TITLE:
Photometric Site Plan
Cut Sheets

DRAWN BY: KRK	APPROVED BY: KRK
DATE DRAWN: 5-26-15	
Sheet	Of
5	10

SHEET:
ES104

MUNICIPALITY
SUBMITTAL
DRAWING
6-16-15

LED CANOPY LIGHT - LEGACY™ (CRUS)



LUMINAIRE ORDERING INFORMATION

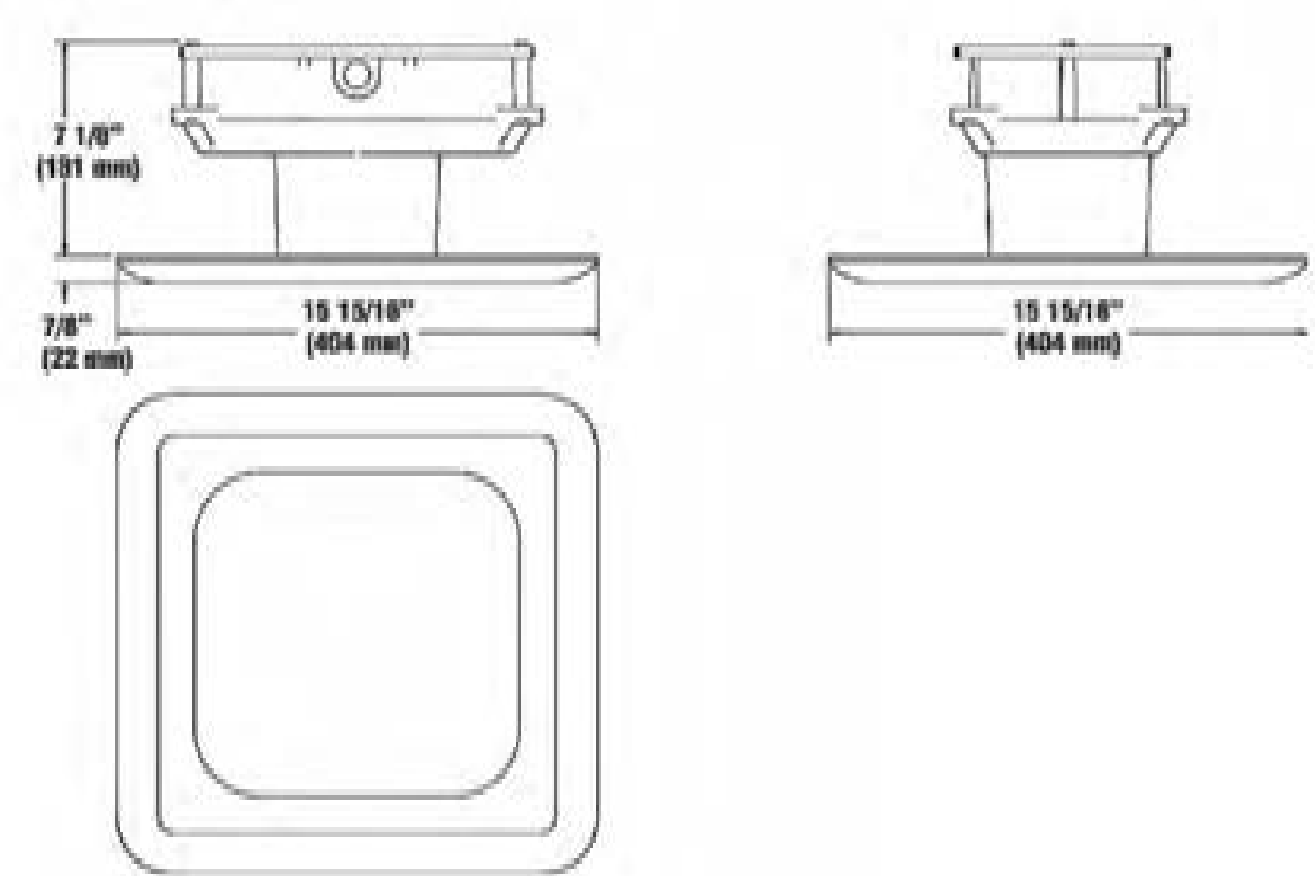
TYPICAL ORDER EXAMPLE: **CRUS SC LED SS CW UE WHT**

Prefix	Distribution	Light Source	Drive Current	Color Temperature	Input Voltage	Finish	Options
CRUS	SC - Standard AS - Asymmetric	LED	VLM - Very Low Watt LW - Low Watt SS - Super Saver	CW - Cool White	UE - Universal Voltage (120-277V) 347 - 480V	WHT - White BRZ - BRONZE BLK - Black	None

FOOTNOTES:
1- AC distribution utilizes a reflector which alters the look from a standard S distribution.

ACCESSORY ORDERING INFORMATION (Accessories are field installed)			
Description	Order Number	Description	Order Number
Retrofit Panels - EC / ECTA / SCP to CRU, for 18" Deck Panel	525948	Kit - Hole Plugs and Silicone (enough for 25 retrofits)	1300640
Retrofit Panels - ECTA / SCP to CRU, for 12" Deck Panel	620281	1 - Consists of (25) 7/8" hole plugs and (1) 10.3 oz tube of RTV	
Retrofit 2x2 Cover Panel Blank (no holes)	357282		
Retrofit RIC Cover Panel Blank (no holes)	354702		

DIMENSIONS



LIGHT OUTPUT - CRUS							
Cool White		Lumens		Watts		LPW	
		SC	AC	SC	AC	SC	AC
	VLM - Very Low Watt	8,842	-	79	-	112	-
	LW - Low Watt	10,871	8748	88	83	124	106
	SS - Super Saver	13,554	11,518	114	111	119	104

Industrial™ Project Name: PDQ Washington Avenue Fixture Type: OCa 01/12/15
 Catalog # CRUS-SC-LED-SS-CW-UE-WHT © 2014 LSI INDUSTRIAL INC.

DESCRIPTION

The patented Lumark Crosstour™ MAXX LED Wall Pack Series of luminaires provides low-profile architectural style with super bright, energy-efficient LEDs. The rugged die-cast aluminum construction, back box with secure lock hinges, stainless steel hardware along with a sealed and gasketed optical compartment make Crosstour impervious to contaminants. The Crosstour MAXX wall luminaire is ideal for wall/ surface, inverted mount for facade/canopy illumination, perimeter and site lighting. Typical applications include pedestrian walkways, building entrances, multi-use facilities, industrial facilities, perimeter parking areas, storage facilities, institutions, schools and loading docks.

SPECIFICATION FEATURES

Construction
Low-profile LED design with rugged one-piece, die-cast aluminum back box and hinged removable door. Matching housing styles incorporate both a full cutoff and refractive lens design. Full cutoff and refractive lens models are available in 41W and 79W. Patent pending secure lock hinge feature allows for safe and easy tool-less electrical connections with the supplied push-in connectors. Back box includes four 1/2" NPT threaded conduit entry points. The back box is secured by four leg bolts (supplied by others). External fin design extracts heat from the fixture surface. One-piece silicone gasket seals door and back box. Not recommended for car wash applications.

Optical
Silicone sealed optical LED chamber incorporates a custom engineered reflector providing high-efficiency illumination. Full cutoff models integrate an impact-resistant molded refractive prism optical lens assembly meeting requirements for Dark Sky compliance. Refractive lens models incorporate a molded lens

Electrical
LED driver is mounted to the die-cast aluminum housing for optimal heat sinking. LED thermal management system incorporates both conduction and natural convection to transfer heat rapidly away from the LED source. 41W and 79W models operate in -40°C to 40°C [-40°F to 104°F]. High ambient 50°C [122°F] models available. Crosstour MAXX luminaires maintain greater than 90% of initial light output after 72,000 hours of operation. Four half-inch NPT threaded conduit entry points allow for thru-branch wiring. Back box is an authorized electrical wiring compartment. Integral LED electronic driver incorporates surge protection. 120-277V 50/60Hz, 480V 60Hz, or 347V 60Hz electrical operation.

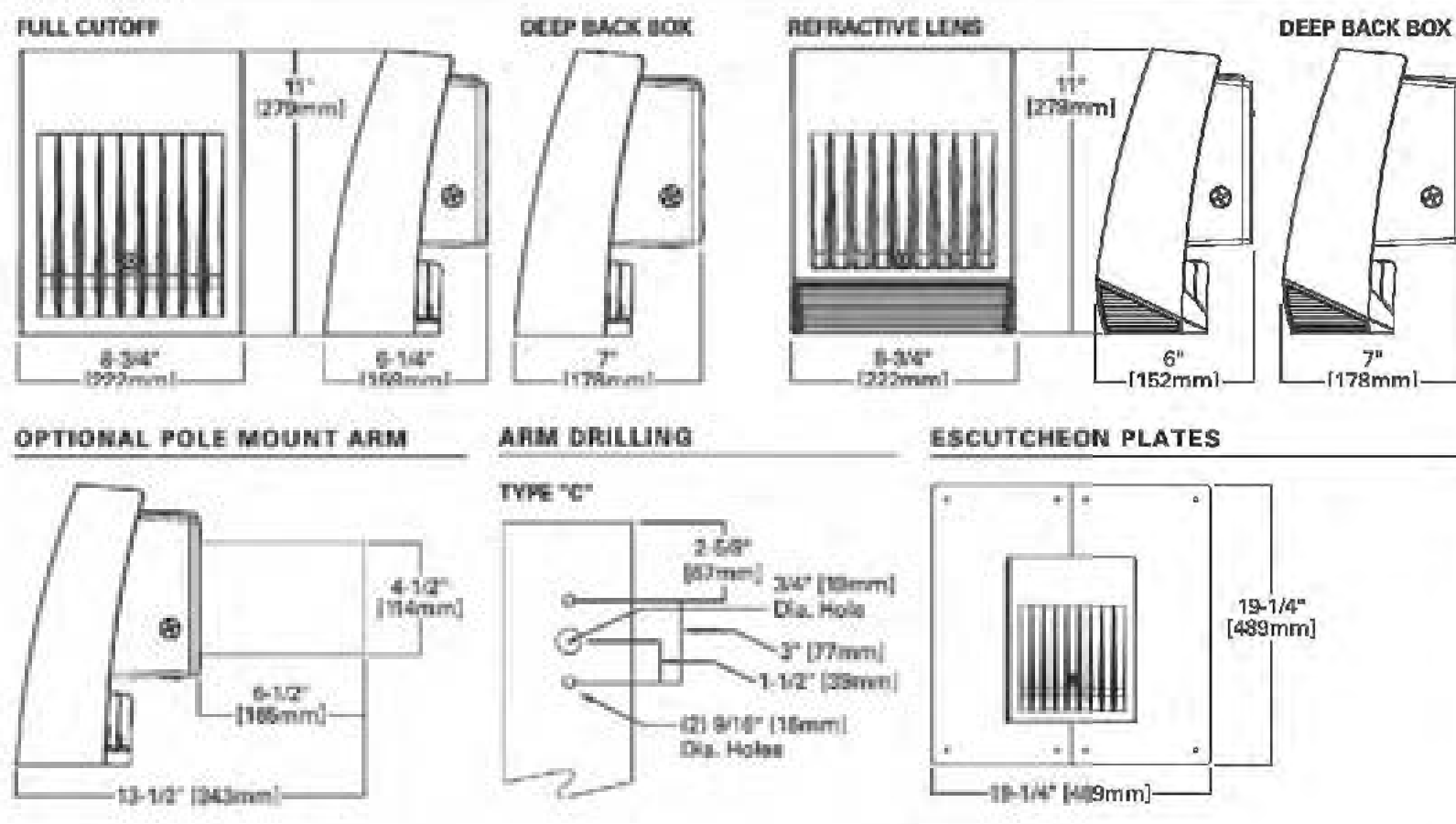
Emergency Egress
Optional integral cold weather battery emergency egress includes emergency operation test switch, an AC-ON indicator light and a premium extended rated sealed maintenance-free nickel-metal hydride battery pack. The separate emergency lighting LEDs are wired to provide redundant emergency lighting. Listed to UL Standard 924, Emergency Lighting.

Area and Site Pole Mounting
Optional extruded aluminum 6-1/2" arm features internal bolt guides for supplied twin support rods, allowing for easy positioning of the fixture during installation to pole. Supplied with round plate adapter plate. Optional tenon adapter fits 2-3/8" or 3-1/2" O.D. Tenon.

Finish
Crosstour MAXX is protected with a super TGIC carbon bronze or summit white polyester powder coat paint. Super TGIC powder coat paint finishes withstand extreme climate conditions while providing optimal color and gloss retention of the installed life.

Warranty
Five-year warranty.

DIMENSIONS



Cooper Lighting
by F.T.N.

LUMARK™ energy solutions

Catalog #	XTOR5A	Type
Project	PDQ Washington Avenue	OW
Comments	Wall Packs	Date
Prepared by	KRK	5-26-15



**XTOR
CROSSTOUR
MAXX LED**

APPLICATIONS:
WALL / SURFACE
INVERTED
SITE LIGHTING

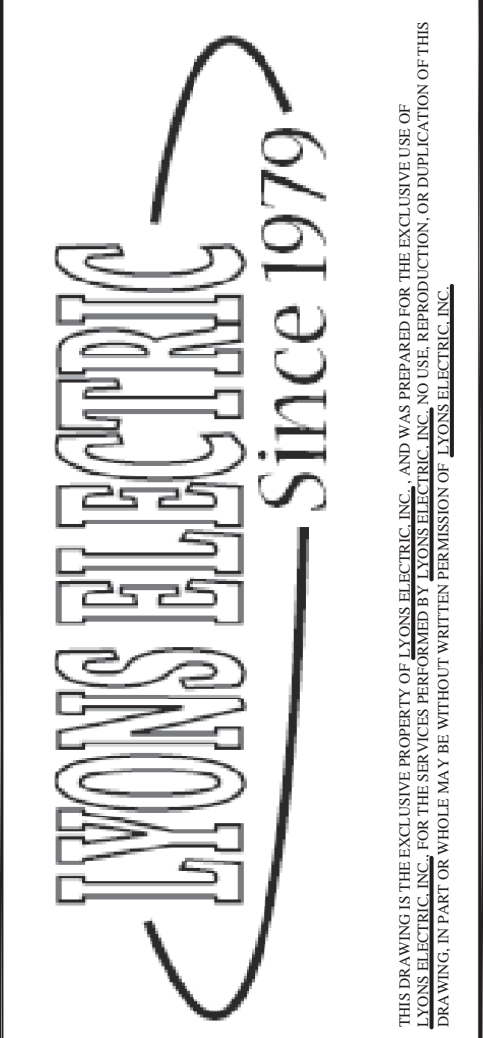
CERTIFICATION DATA
UL/cUL Wet Location Listed
LM79 / LM80 Compliant
ROHS Compliant
NOM Compliant Models
3G Vibration Tested
UL924 Listed (CBP Models)
IP68 Rated

TECHNICAL DATA
40°C Ambient Temperature
External Supply Wiring 90°C Minimum

EPA
Effective Projected Area (Sq. Ft.):
XTOR5A/XTOR5A = 0.54
With Pole Mount Arm = 0.98

SHIPPING DATA:
Approximate Net Weight:
12-15 lbs. [5.4-6.8 kgs.]

ADH130015
2015-01-22 09:23:12



Revisions		
No.	Description	Date

FIRM NAME AND ADDRESS:

Lyons Electric
75 Enterprise Rd.
Delafield, WI 53018

CONTACT INFORMATION:
Mark Bealhen
Main: (262)-646-6828
Fax: (262)-646-6829

PROJECT NAME:

**PDQ - SITE
PHOTOMETRICS**

3520 East Washington Avenue
Madison, WI

SHEET TITLE:
**Photometric Site Plan
Cut Sheets**

DRAWN BY: KRK	APPROVED BY: KRK
DATE DRAWN: 5-26-15	
Sheet Of	
6 10	

SHEET:
ES105

LYONS ELECTRIC IS NOT LIABLE OR HELD RESPONSIBLE FOR THE INSTALL ASSOCIATED WITH THIS DRAWING SET. THE INSTALLING ELECTRICAL CONTRACTOR ASSUMES FULL RESPONSIBILITY FOR A FULLY CODE COMPLIANT ELECTRICAL SYSTEM REGARDLESS OF THE INFORMATION FOUND IN THIS DRAWINGS SET.

MUNICIPALITY
SUBMITTAL
DRAWING
6-16-15



LYONS ELECTRIC IS NOT LIABLE OR HELD RESPONSIBLE FOR THE INSTALLATION OF THIS PRODUCT OR THE FAILURE OF THIS PRODUCT. THE USER ASSUMES FULL RESPONSIBILITY FOR A FULLY CODE COMPLIANT ELECTRICAL SYSTEM REGARDLESS OF THE INFORMATION FOUND IN THIS DRAWING SET.

XTOR CROSSTOUR MAXX LED

POWER AND LUMENS BY FIXTURE MODEL

LED Information	XTORSA	XTORSARL	XTORSA-N	XTORSARL-N
Delivered Lumens	4,408	4,831	4,136	3,744
B.U.G. Rating	B1-L0-G1	B1-L0-G2	B1-L0-G1	B1-L0-G2
CCT (Kelvin)	5000K	5000K	3500K	3500K
CRI (Color Rendering Index)	65	65	70	70
Power Consumption (Watts)	41W	41W	43W	42W

LED Information	XTORSA	XTORSARL	XTORSA-N	XTORSARL-N
Delivered Lumens	7678	7,267	6,468	6,036
B.U.G. Rating	B1-L0-G1	B1-L0-G2	B1-L0-G1	B1-L0-G2
CCT (Kelvin)	5000K	5000K	3500K	3500K
CRI (Color Rendering Index)	65	65	70	70
Power Consumption (Watts)	79W	82W	79W	81W

EGRESS Information	XTORSA and XTORSA Full Cutoff CBP Egress LED	XTORSA and XTORSARL Reflective Lens CBP Egress LED
Delivered Lumens	508	468
B.U.G. Rating	N.A.	N.A.
CCT (Kelvin)	4000K	4000K
CRI (Color Rendering Index)	65	65
Power Consumption (Watts)	1.8W	1.8W

CURRENT DRAW

Voltage	Model Series			
	XTORSA	XTORSA	XTORSA-CBP (Fixture/Battery)	XTORSA-CBP (Fixture/Battery)
120V	0.95	0.67	0.69/0.25	0.92/0.25
208V	0.20	0.28	--	--
240V	0.18	0.34	--	--
277V	0.15	0.29	0.36/0.21	0.50/0.21
347V	0.14	0.26	--	--
480V	0.10	0.19	--	--

LUMEN MAINTENANCE

Ambient Temperature	TM-21 Lumen Maintenance (72,000 Hours)	Theoretical L70 (Hours)
XTORSA Model		
25°C	> 82%	> 290,000
40°C	> 91%	> 290,000
50°C	> 89%	> 250,000
XTORSARL Model		
25°C	> 91%	> 260,000
40°C	> 90%	> 230,000
50°C	> 82%	> 130,000

Cooper Lighting
by **ET-N**

Enter
5005 Euron Boulevard
Cleveland, OH 44132
United States
Enter.com

Enter's Cooper Lighting Business
1121 Highway 71 South
Revere, OH 44328
P: 770-488-6600
www.cooperlighting.com

Specifications and dimensions subject to change without notice.

ADH130015
2015-01-22 09:23:12

XTOR CROSSTOUR MAXX LED

ORDERING INFORMATION

Sample Number: XTORSA-N-WT-PC1

Series	LED Kelvin Color	Housing Color	Options (Add as Suffix)
Full Cutoff XTORSA-41W XTORSARL-79W	[Blank]-Bright White (Standard) 5000K N-Neutral Warm White, 3500K	[Blank]-Carbon Bronze (Standard) WT-Summit White	347V-347V ^{1,2,3,4} 480V-480V ^{1,2,3,4} PC1-Photocontrol 120V ⁴ PC2-Photocontrol 208-277V ^{4,5} DIM-0-10V Dimming Driver ⁶ PMA-Pole Mount Arm (C Drilling) with Round Adapter ⁷ HA-50°C High Ambient ⁸ MS-L26-Motion Sensor for ON/OFF Operation ^{9,10,11} MS-DIM-L26-Motion Sensor for Dimming Operation ^{1,10,11,12,13} CBP-Cold Weather Battery Pack ^{1,14,15}
Accessories (Order Separately)			
WG-XTORMX-Crosstour MAXX Wire Guard PB120V-Field Installed 120V Photocontrol PB277V BUTTON PC-Field Installed 208-277V Photocontrol ³ VA1948-XX-Single Tenon Adapter for 3-1/2" O.D. Tenon ¹⁶ VA1941-XX-2@180° Tenon Adapter for 3-1/2" O.D. Tenon ¹⁶ VA1942-XX-3@120° Tenon Adapter for 3-1/2" O.D. Tenon ¹⁶ VA1943-XX-4@90° Tenon Adapter for 3-1/2" O.D. Tenon ¹⁶ VA1944-XX-2@90° Tenon Adapter for 3-1/2" O.D. Tenon ¹⁶ VA1945-XX-3@90° Tenon Adapter for 3-1/2" O.D. Tenon ¹⁶		VA1946-XX-2@120° Tenon Adapter for 3-1/2" O.D. Tenon ¹⁶ VA1933-XX-Single Tenon Adapter for 2-3/8" O.D. Tenon ¹⁶ VA1934-XX-2@180° Tenon Adapter for 2-3/8" O.D. Tenon ¹⁶ VA1935-XX-3@120° Tenon Adapter for 2-3/8" O.D. Tenon ¹⁶ VA1936-XX-4@90° Tenon Adapter for 2-3/8" O.D. Tenon ¹⁶ VA1937-XX-2@90° Tenon Adapter for 2-3/8" O.D. Tenon ¹⁶ VA1938-XX-3@90° Tenon Adapter for 2-3/8" O.D. Tenon ¹⁶ VA1939-XX-2@120° Tenon Adapter for 2-3/8" O.D. Tenon ¹⁶ EWP/XTORMX-WT-Escutcheon Wall Plate, Carbon Bronze EWP/XTORMX-WT-Escutcheon Wall Plate, Summit White	

NOTES: 1 Not available with HA option. 2 Deep back box is standard for 347V, 480V, CBP, PMA, MS-L26 and MS-DIM-L26. 3 Not available with CBP option. 4 Three-wire wiring not available with HA option or with 347V. 5 Not to be used with ungrounded systems. 6 Not available with MS-L26 and MS-DIM-L26 options. 7 Use PC2 with 347V or 480V option for photocontrol. Factory wired to 208-277V load. 8 For use in downlight orientation only. Optimal coverage at mounting heights of 7'-0" to 12'-0" or 27'V only. 9 Factory set to 50% power reduction after 15 minutes of inactivity. Dimming driver included. 10 Includes integral photo sensor. 12 Operating temperature 35°C to 25°C. 13 Replace XX with CB for carbon bronze or WT for summit white.

STOCK ORDERING INFORMATION

41W Series	79W Series
Full Cutoff	
XTORSA-41W, 5000K, Carbon Bronze	XTORSARL-79W, 5000K, Carbon Bronze
XTORSA-PC1-41W, 5000K, 120V PC, Carbon Bronze	XTORSARL-PC1-79W, 5000K, 120V PC, Carbon Bronze
XTORSA-WT-41W, 5000K, Summit White	XTORSARL-WT-79W, 5000K, Summit White
XTORSA-N-41W, 3500K, Carbon Bronze	XTORSARL-PC2-79W, 5000K, 208-277V PC, Carbon Bronze
	XTORSARL-480V-79W, 5000K, 480V, Carbon Bronze
	XTORSARL-PMA-79W, 5000K, Pole Mount Arm, Carbon Bronze
Reflective Lens	
XTORSARL-41W, 5000K, Reflective Lens, Carbon Bronze	XTORSARL-79W, 5000K, Reflective Lens, Carbon Bronze
XTORSARL-PC1-41W, 5000K, Reflective Lens, 120V PC, Carbon Bronze	XTORSARL-PC1-79W, 5000K, Reflective Lens, 120V PC, Carbon Bronze
XTORSARL-WT-41W, 5000K, Reflective Lens, Summit White	XTORSARL-WT-79W, 5000K, Reflective Lens, Summit White
XTORSARL-N-41W, 3500K, Reflective Lens, Carbon Bronze	XTORSARL-PC2-79W, 5000K, Reflective Lens, 208-277V PC, Carbon Bronze
	XTORSARL-480V-79W, 5000K, Reflective Lens, 480V, Carbon Bronze
	XTORSARL-PMA-79W, 5000K, Reflective Lens, Pole Mount Arm, Carbon Bronze

5-DAY QUICK SHIP ORDERING INFORMATION

41W Series	79W Series
Full Cutoff	
XTORSA-CBP-41W, 5000K, Carbon Bronze, Cold Weather Battery Pack	XTORSARL-CBP-79W, 5000K, Carbon Bronze, Cold Weather Battery Pack
XTORSA-480V-41W, 5000K, Carbon Bronze, 480V	XTORSARL-N-79W, 3500K, Carbon Bronze
XTORSA-PC2-41W, 5000K, Carbon Bronze, 208-277V PC	
Reflective Lens	
XTORSARL-PC2-41W, Reflective Lens, 5000K, Carbon Bronze, 208-277V PC	XTORSARL-CBP-79W, Reflective Lens, 5000K, Carbon Bronze, Cold Weather Battery Pack
XTORSARL-CBP-41W, Reflective Lens, 5000K, Carbon Bronze, Cold Weather Battery Pack	XTORSARL-N-79W, Reflective Lens, 3500K, Carbon Bronze
XTORSARL-480V-41W, Reflective Lens, 5000K, Carbon Bronze, 480V	

Cooper Lighting
by **ET-N**

Enter
5005 Euron Boulevard
Cleveland, OH 44132
United States
Enter.com

Enter's Cooper Lighting Business
1121 Highway 71 South
Revere, OH 44328
P: 770-488-6600
www.cooperlighting.com

Specifications and dimensions subject to change without notice.

ADH130015
2015-01-22 09:23:12

Revisions

No.	Description	Date

FIRM NAME AND ADDRESS:

Lyons Electric
75 Enterprise Rd.
Delafeld, WI 53018

CONTACT INFORMATION:

Mark Bealhen
Main: (262)-646-6828
Fax: (262)-646-6829

PROJECT NAME:

**PDQ - SITE
PHOTOMETRICS**

 3520 East Washington Avenue
Madison, WI

SHEET TITLE:

Photometric Site Plan
Cut Sheets

DRAWN BY:
KRK
DATE DRAWN:
5-26-15

APPROVED BY:
KRK

Sheet Of

7 10

SHEET:

ES106

LYONS ELECTRIC IS NOT LIABLE OR HELD RESPONSIBLE FOR THE INSTALLATION OF THIS PRODUCT OR THE FAILURE OF THIS PRODUCT. THE USER ASSUMES FULL RESPONSIBILITY FOR A FULLY CODE COMPLIANT ELECTRICAL SYSTEM REGARDLESS OF THE INFORMATION FOUND IN THIS DRAWING SET.

MUNICIPALITY
SUBMITTAL
DRAWING
6-16-15



LYONS ELECTRIC IS NOT LIABLE OR HELD RESPONSIBLE FOR THE INSTALLATION OF THIS ELECTRICAL SYSTEM. THE INSTALLING ELECTRICAL CONTRACTOR ASSUMES FULL RESPONSIBILITY FOR A FULLY CODE COMPLIANT ELECTRICAL SYSTEM REGARDLESS OF THE INFORMATION FOUND IN THIS DRAWING SET.

HALO LED NON-IC HOUSING for NEW CONSTRUCTION

The H750T is a dedicated LED new construction housing to be used with designated HALO LED modules. The H750T is designed for non-insulated ceilings. If insulation is present it must be kept three inches from all sides of the housing. The AIR-TITE™ housing design prevents airflow between conditioned and unconditioned spaces, saving on both heating and air conditioning costs. The LED connector system provides high efficacy code compliance when used with designated HALO LED modules and trims.

Catalog #	H750T	Type	
Project	PDQ Washington Avenue	Owa	
Comments	Housing for Type Owa	Date	5-26-15
Prepared by	KRK		

HALO®

DESIGN FEATURES

Housing

Aluminum with white semi-gloss paint finish.

Plaster Frame

Galvanized steel frame. Housing adjusts in plaster frame to accommodate up to 1" ceiling thickness. Regressed locking screw for securing hanger bars. Cutouts included for easily crimping hanger bars in position.

Slide-N-Side™ Junction Box

- Positioned to accommodate straight conduit runs.
- Seven 1/2" trade size conduit knockouts with true pry-out slots.
- Slide-N-Side wire traps allow non metallic sheathed cable to be installed without tools and without removing knockouts.
- Allows wiring connections to be made outside the box.
- Simply insert the cable directly into the trap after connections are made.
- Accommodates the following standard non-metallic sheathed cable type:
 - U.S. #14/2, #14/3, #12/2, 12/3
 - Canada: #14/2, #14/3, #12/2

GOT-NAIL!™ Pass-N-Thru™ Bar Hangers

Bar Hanger features include

- Pre-installed nail easily installs in regular lumber, engineered lumber and laminated beams.

- Safety and Guidance system prevents snagging, ensures smooth, straight nail penetration and allows bar hangers to be easily removed if necessary

- Automatic leveling flange aligns the housing and allows holding the housing in place with one hand while driving nails.

- Housing can be positioned at any point within 24" joist spans

- Score lines allow tool-free shortening for 12" joists and bar hangers do not need to be removed for shortening.

- Bar hangers may be repositioned 90° on plaster frame

- Integral T-bar clip snaps onto T-bars – no additional clips are required.

LED Module Connection
Halo LED modules simply install with a plug-in 120V-277V rated line voltage wiring connector (UL and CSA Listed Luminaire Disconnect).

This non-screw-base connection preserves the high efficacy rating and prevents use of low efficacy incandescent sources (see LED Module specifications).

Caution
Connection is rated for 120V and 277V input. Installer must verify LED module voltage is compatible with the applicable voltage input. If uncertain, consult a qualified electrician.

Labels

- UL/cUL Listed 1598 Luminaire
- CE Marking - "Conformité Européenne" conformity with the Council of European Communities Directives, meeting internationally recognized compliance when used with ML56 Series LED modules

- Listed for Feed Through
- Listed for Damp Location
- Listed for Wet Location with select trims
- Rated for 20W maximum

Qualification

May be used with qualified Halo LED modules and designated trims for High Efficacy Luminaire Compliance:

- State of California Title 24
- International Energy Conservation Code (IECC)
- New York State Energy Conservation Construction Code - AIR-TITE™ Compliant
- Certified under ASTM-E283 standard for air-tight construction when used with ML56 series, RL56 series and ML7 series trims



H750T

6" New Construction NON-IC AIR-TITE™ Housing For Halo LED Modules and Trims - ML56 Series - RL56 Series - RA56 Series

High Efficacy LED Housing

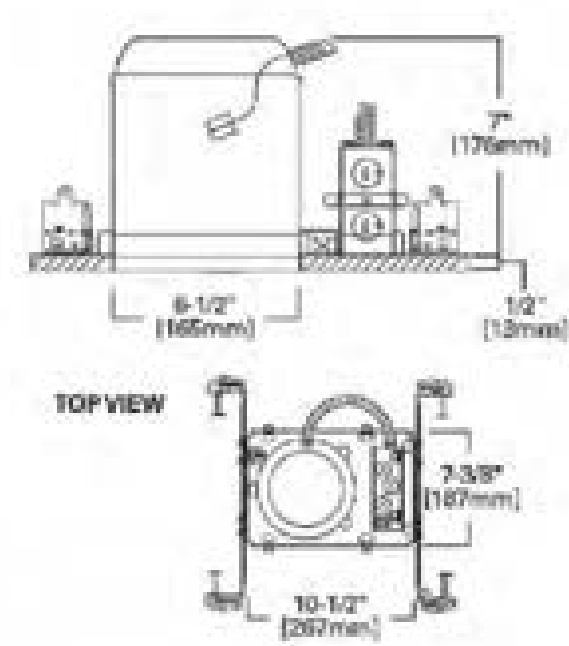
FOR USE IN NON-INSULATED CEILINGS

CAN BE USED IN INSULATED CEILINGS BUT INSULATION MUST BE KEPT 3" FROM ALL SIDES OF THE HOUSING



Qualified and compliant with select trims. Refer to ENERGY STAR® Qualified Products List and CEC (T24) Appliance Database for listings.

ADV141508
6/17/2014



Cooper Lighting
by **W.T.M.**

Cooper Lighting
by **W.T.M.**

ORDERING INFORMATION - RL56 SERIES

SAMPLE NUMBER: H750T - RL560WH6927
Order housing, light module, trim and separately.

Housing	RL56 LED - Compatible LED Retrofit Modules
H750T= 6" Aperture, New Construction, Non-IC, AIR-TITE™, High Efficacy LED Housing	<p>80 CRI RL560WH6927= 5 7/8" Retrofit Baffle - Trim LED Module, 80CRI, 2700K, Matte White RL560WH6927= 5 7/8" Retrofit Baffle - Trim LED Module, 80CRI, 2700K, Satin Nickel RL560WH6930= 5 7/8" Retrofit Baffle - Trim LED Module, 80CRI, 3000K, Matte White RL560WH6930= 5 7/8" Retrofit Baffle - Trim LED Module, 80CRI, 3000K, Satin Nickel RL560WH6935= 5 7/8" Retrofit Baffle - Trim LED Module, 80CRI, 3500K, Matte White</p> <p>90 CRI RL560WH6927= 5 7/8" Retrofit Baffle - Trim LED Module, 90CRI, 2700K, Matte White RL560WH6927= 5 7/8" Retrofit Baffle - Trim LED Module, 90CRI, 2700K, Satin Nickel RL560WH6930= 5 7/8" Retrofit Baffle - Trim LED Module, 90CRI, 3000K, Matte White RL560WH6930= 5 7/8" Retrofit Baffle - Trim LED Module, 90CRI, 3000K, Satin Nickel RL560WH6935= 5 7/8" Retrofit Baffle - Trim LED Module, 90CRI, 3500K, Matte White</p>

ORDERING INFORMATION - RA56 SERIES

SAMPLE NUMBER: H750T - RA5606927WH
Order housing, light module, trim and separately.

Housing	RA56 LED - Compatible LED Retrofit Modules
H750T= 6" Aperture, New Construction, Non-IC, AIR-TITE™, High Efficacy LED Housing	<p>Very Wide Flood - WWFL Models RA5606927WH= 5 7/8" LED Adjustable Gimbal, 90CRI, 2700K, White, Very Wide Flood RA5606927WH= 5 7/8" LED Adjustable Gimbal, 90CRI, 3000K, White, Very Wide Flood</p> <p>Narrow Flood - NFL Models RA5606927NFLWH= 5 7/8" LED Adjustable Gimbal, 90CRI, 2700K, White, Narrow Flood RA5606927NFLWH= 5 7/8" LED Adjustable Gimbal, 90CRI, 3000K, White, Narrow Flood</p>

ORDERING INFORMATION - ML56 SERIES

SAMPLE NUMBER: H750T - ML5606930 - 093WR
Order housing, light module, trim and separately.

Housing	ML56 LED Light Modules	ML56 LED Trims	ML56 System Accessories
H750T= 6" Aperture, New Construction, Non-IC, AIR-TITE™, High Efficacy LED Housing	<p>600 Series / 80 CRI ML5606927= 5 7/8" LED Retrofit Downlight Light Module, 600 lumen, 80CRI, 2700K ML5606930= 5 7/8" LED Retrofit Downlight Light Module, 600 lumen, 80CRI, 3000K ML5606935= 5 7/8" LED Retrofit Downlight Light Module, 600 lumen, 80CRI, 3500K ML5606940= 5 7/8" LED Retrofit Downlight Light Module, 600 lumen, 80CRI, 4000K</p> <p>600 Series / 90 CRI ML5606927= 5 7/8" LED Retrofit Downlight Light Module, 600 lumen, 90CRI, 2700K ML5606930= 5 7/8" LED Retrofit Downlight Light Module, 600 lumen, 90CRI, 3000K ML5606935= 5 7/8" LED Retrofit Downlight Light Module, 600 lumen, 90CRI, 3500K ML5606940= 5 7/8" LED Retrofit Downlight Light Module, 600 lumen, 90CRI, 4000K</p> <p>900 Series / 80 CRI ML5606927= 5 7/8" LED Retrofit Downlight Light Module, 900 lumen, 80CRI, 2700K ML5606930= 5 7/8" LED Retrofit Downlight Light Module, 900 lumen, 80CRI, 3000K ML5606935= 5 7/8" LED Retrofit Downlight Light Module, 900 lumen, 80CRI, 3500K ML5606940= 5 7/8" LED Retrofit Downlight Light Module, 900 lumen, 80CRI, 4000K</p> <p>900 Series / 90 CRI ML5606927= 5 7/8" LED Retrofit Downlight Light Module, 900 lumen, 90CRI, 2700K ML5606930= 5 7/8" LED Retrofit Downlight Light Module, 900 lumen, 90CRI, 3000K ML5606935= 5 7/8" LED Retrofit Downlight Light Module, 900 lumen, 90CRI, 3500K ML5606940= 5 7/8" LED Retrofit Downlight Light Module, 900 lumen, 90CRI, 4000K</p> <p>1200 Series / 80 CRI ML5612927= 5 7/8" LED Light Module, 1200 lumen, 80CRI, 2700K ML5612930= 5 7/8" LED Light Module, 1200 lumen, 80CRI, 3000K ML5612935= 5 7/8" LED Light Module, 1200 lumen, 80CRI, 3500K ML5612940= 5 7/8" LED Light Module, 1200 lumen, 80CRI, 4000K</p> <p>1200 Series / 90 CRI ML5612927= 5 7/8" LED Light Module, 1200 lumen, 90CRI, 2700K ML5612930= 5 7/8" LED Light Module, 1200 lumen, 90CRI, 3000K ML5612935= 5 7/8" LED Light Module, 1200 lumen, 90CRI, 3500K ML5612940= 5 7/8" LED Light Module, 1200 lumen, 90CRI, 4000K</p>	<p>699 Series - 6" LED Trims Non-Conductive "Dead Front" Baffles 091WB=6" LED Trim, Polymer "Dead-Front", Shallow White Baffle & Flange (For use with 600 Series LED Light Modules only)</p> <p>Reflectors 0925C=6" LED Downlight Trim, Specular Reflector & White Flange 092H=6" LED Downlight Trim, Haze Reflector & White Flange 092W=6" LED Downlight Trim, White Reflector & Flange</p> <p>Baffles 093WB=6" LED Downlight Trim, White Micro-Step Baffle & Flange 093BB=6" LED Downlight Trim, Black Micro-Step Baffle & Flange 0935NB=6" LED Downlight Trim, Satin Nickel Micro-Step Baffle & Flange 093TBZB=6" LED Downlight Trim, Tuscan Bronze Micro-Step Baffle & Flange</p> <p>Semi-Regressed Eyeballs 094WB=6" LED Directional Trim, White Eyeball, Baffle & Flange 0945NB=6" LED Directional Trim, Satin Nickel Eyeball, Baffle & Flange 094TBZB=6" LED Directional Trim, Tuscan Bronze Eyeball, Baffle & Flange</p> <p>Wall Wash 096WW=6" LED Downlight Trim, Wall Wash with Specular Kick Reflector & White Flange</p> <p>Shallow Baffle 096WB=6" LED Trim, White Shallow Baffle & Flange</p>	<p>ML66CLIP= 6" Friction Clip Kit - For use with non-tension spring housings. 6" clips included.</p> <p>WW6955Ca Wall Wash Insert - Specular Kick Reflector for 695WW (1 included with trim). For double wall washing or replacement.</p> <p>TRM690WH= 6" LED Oversize Trim Ring for use with 99 series trims, White 6.9" I.D., 9.5" O.D. Ring slips over LED trim. Inset design allows 6" trim to fit into oversize ring for an even trim surface</p> <p>EBA560PK= Replacement screwbase adapter to LED disconnect with cap</p> <p>ML56-1200 Series Beam Forming Optic Media BFR56NFL=Beam forming reflector kit, narrow flood, 25" nominal BFR56MH=Media holder, accepts one 3.45" lens. Requires BFR56NFL & L345SF, order separately. L345SF=3.45" diameter soft focus lens. Requires BFR56NFL and BFR56MH, order separately.</p>

© 2014 Eaton
All Rights Reserved
Printed in USA
Revision No. ADV141508
June 2014

Specifications and dimensions subject to change without notice

Revisions		
No.	Description	Date

FIRM NAME AND ADDRESS:

Lyons Electric
75 Enterprise Rd.
Delafield, WI 53018

CONTACT INFORMATION:
Mark Beallhen
Main:(262)-646-6828
Fax:(262)-646-6829

PROJECT NAME:

PDQ - SITE PHOTOMETRICS

3520 East Washington Avenue
Madison, WI

SHEET TITLE:	
Photometric Site Plan Cut Sheets	
DRAWN BY: KRK	APPROVED BY: KRK
DATE DRAWN: 5-26-15	
Sheet	Of
8	10
SHEET:	
ES107	

MUNICIPALITY
SUBMITTAL
DRAWING
6-16-15



LYONS ELECTRIC IS NOT LIABLE OR HELD RESPONSIBLE FOR THE INSTALLATION OF THIS DRAWING SET. THE INSTALLING ELECTRICAL CONTRACTOR ASSUMES FULL RESPONSIBILITY FOR A FULLY CODE COMPLIANT ELECTRICAL SYSTEM REGARDLESS OF THE INFORMATION FOUND IN THIS DRAWING SET.

**HALO LED Module 1200 Series
For New and Existing Installations**

The Halo LED 1200 Series High Lumen Modules are universal voltage (120-277V) rated for commercial and residential applications. The Halo LED ML7128xTUNVD010 Modules are designed for retrofit applications with an Edison screw base adapter (included) for use in compatible existing 6" nominal Non-IC housings OR may also be used in new construction with the LED dedicated Non-IC housing Series H750Tx. Halo LED 1200 Series offers a selection of four color temperatures: 2700K, 3000K, 3500K, 4000K. Halo LED offers superior optical design that yields productive beam lumens, good cutoff and low glare.

SPECIFICATION FEATURES

The Halo LED 1200 Series offers comparable light output and distribution of a 90W PAR38 halogen lamp, a 120W BR40 incandescent lamp, or a 32W compact fluorescent luminaire (lamp & reflector trim), while consuming less than 25 watts.

Dimming
The HALO LED 1200 Series luminaire offers 0-10V dimming capability to <10% with compatible 0-10V dimming controls.

Quality of Light
Halo 1200 Series Provides excellent color rendering (80 CRI), and a selection of four color temperatures (2700K, 3000K, 3500K and 4000K). CRI and color temperature performance conform to parameters established by ENERGY STAR® SSL standards (refer to ANSI-C78.377 - 2008 for CCT specifications). LED's have virtually no ultraviolet and minimal infrared wavelengths, and they do not direct heat like conventional lamps.

Optical Design
Optical design yields productive beam lumens, 50° cutoff, and low glare.

Life
Rated for 50,000 hours at 70% lumen maintenance.

Compatibility
The Halo ML7128xTUNVD010 LED modules are designed for use in the dedicated H750Tx series Non-IC housings OR for retrofit applications in existing Halo or ALL-PRO® H7T/E7 Non-IC housings. The ML7128xTUNVD010 Halo LED modules are designed for use in Non-IC construction only. Compatible HALO and ALL-PRO housings include model numbers:

- Dedicated LED Housings:
 - H750TD010, H750RTD010 and H750TCPD010 Non-IC Housing with 0-10V dimming connections included (use these housings for 0-10V dimming)
- H750T, H750TCP Non-IC Housing (Non-Dim functionality only as these housings do not provide 0-10V dimming connections)
- Halo and All-Pro Incandescent Housings:
 - H7Tx and ET7x Non-IC Housing (Non-Dim functionality only as these housings do not provide 0-10V dimming connections)

Screw Base Adapter
Edison screw-base adapter supplied with module allows simple wiring connection to existing housing.

Module Construction
Durable die-cast and extruded aluminum construction conducts heat away from the LED keeping the junction temperatures below specified maximums even when installed in non-insulated ceiling environments.

Air-Tite™ Rating
The Halo LED module has passed restricted air flow testing, and now qualifies any housing to meet air-tight building codes. Certified under ASTM-E283 standards.

LED Driver
The LED module is controlled by a high efficiency driver with a power factor of >.90 at an input power of 90V-305V, 50/60Hz. Driver has integral thermal protection in the event of over temperature or internal failure.

Warranty
Cooper Lighting provides a three year limited warranty on the Halo LED Luminaire which includes the LED Module, LED Recessed Non-IC Housing and LED trims.

Catalog #	ML712835TUNVD010/ 493WBS06	Type	OWa
Project	PDQ Washington Avenue	Date	5-26-15
Comments	Soffit Can Inserts		
Prepared by	KRK		

HALO



**ML712835TUNVD010
1200 Series LED
0-10V DC
Dimmable Module
3500°K Correlated
Color Temperature
493WBS06
494WB06**

**6" LED Module and Trim
For New Construction OR
Retrofit Applications**

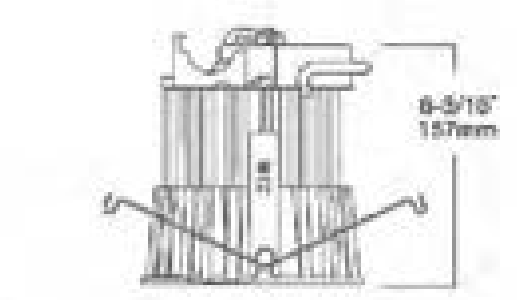
**FOR USE IN
NON-INSULATED CEILING
OR
INSULATED CEILING
BUT INSULATION MUST BE KEPT
3" FROM ALL SIDES OF FIXTURE**

1200 Series Energy Data:
(Values at non-dimming line voltage)
Minimum Starting Temp: -30° C (-22° F)
EM/RF: FCC Title 47 CFR, Part 18, Class B (Consumer)
Sound Rating: Class A standards
Input Voltage: 120V (90V - 305V)
Power Factor: >.90 (at nominal input 120V/230V/277V Vac & 100% of Rated Output Power)
Input Frequency: 47-63 Hz
THD: <21%
Input Power: 24.8W
Input Current at 120V: 207mA
Input Current at 277V: 80mA
Maximum Non-IC Ambient Conditions
Operating Temperature 40°C (104° F)



Qualified and Compliant as designated. Refer to trim selection for compliant models.

ADV140259
2/28/2014



HALO®



ML712835TUNVD010

494WB06 White Baffle with White Trim Ring

- Halo matte white finish die-cast trim ring
- Halo Matte White die-cast baffle
- Trim ring height of .160" at OD and .180" at ID
- Provides clearance for remodeler flange and gasket for AIR-TITE™ seal

Accessory:
494OPTIC - over optic lens

**494WB06
White Baffle
with White Trim Ring**

493WBS06 Solite® Regressed Lens with White Baffle and White Trim Ring

- Halo matte white trim ring and baffle
- Upper specular aluminum reflector for optical control and enhanced lumen delivery
- Wet location listed for use in showers and protected canopy applications; and IP66 Ingress Protection rated
- Die-cast aluminum baffle and trim ring
- Trim height of .160" at OD & .180" at ID
- Provides clearance for remodeler flange and gasket for AIR-TITE™ seal

**493WBS06
Regressed Solite® Lensed
White Baffle with
White Trim Ring**

494OPTIC Lens Over-Optic for Open LED Trims

Optional accessory - diffusing lens drops into top of open 494 Series LED trims. Precision formed lens media provides diffusion of LED source brightness.

Compatible with: 494WB06

**494OPTIC Lens Over-Optic for
Open LED Trims**

ML7RAB Retrofit Adapter Band for Housings without Torsion Spring Receivers

In many retrofit installations the existing (6" nominal aperture) housings have Torsion Spring Receivers that are used to install trims. Many of these housings will allow direct installation of the LED Module. In some existing installations housings do not have torsion spring receivers. The ML7RAB was designed for installation into those housings. The ML7RAB kit can retrofit four non-torsion spring housings; the kit includes:

- 4 - Retrofit Adapter Bands (1 per retrofit housing)
- 16 - Metal-placing screws (4 per adapter)
- 8 - Retrofit Locking Wire Nuts (2 per adapter)

**ML7RAB Retrofit Adapter Band
(Four Adapters per Box)**

Oversize Rings

For use when ceiling opening is irregular or cut too large. The oversized ring is installed behind the Halo LED trim ring to mask irregularities or cutout errors of the ceiling opening.

- OT400P = Oversize White Metal Trim Ring 6" ID x 9-1/4" OD
- OT403P = Oversize White Plastic Trim Ring 6" ID x 8" OD

Oversize LED Trim Ring

For use when ceiling opening is irregular or cut too large.

- OT490WH = LED Oversize White Die-Cast Aluminum Trim Ring 5-1/8" ID x 9-1/4" OD - attaches to LED module, substitute for standard LED trim ring.

OT403, OT400

OT490WH

**OT400, OT403, OT490WH
Oversize Trim Rings**



Revisions

No.	Description	Date

FIRM NAME AND ADDRESS:

Lyons Electric
75 Enterprise Rd.
Delafeld, WI 53018

CONTACT INFORMATION:

Mark Bealhen
Main: (262)-646-6828
Fax: (262)-646-6829

PROJECT NAME:

**PDQ - SITE
PHOTOMETRICS**

3520 East Washington Avenue
Madison, WI

SHEET TITLE:

Photometric Site Plan
Cut Sheets

DRAWN BY:
KRK

DATE DRAWN:
5-26-15

APPROVED BY:
KRK

Sheet Of
9 10

ES108

LYONS ELECTRIC IS NOT LIABLE OR HELD RESPONSIBLE FOR THE INSTALLATION OF THIS DRAWING SET. THE INSTALLING ELECTRICAL CONTRACTOR ASSUMES FULL RESPONSIBILITY FOR A FULLY CODE COMPLIANT ELECTRICAL SYSTEM REGARDLESS OF THE INFORMATION FOUND IN THIS DRAWING SET.

MUNICIPALITY
SUBMITTAL
DRAWING
6-16-15



FOR THE RECORD: THIS DRAWING IS THE PROPERTY OF LYONS ELECTRIC. IT IS TO BE USED ONLY FOR THE PROJECT AND SITE SPECIFICALLY IDENTIFIED IN THE DRAWING. IT IS NOT TO BE REPRODUCED OR TRANSMITTED IN ANY FORM OR BY ANY MEANS, WITHOUT THE WRITTEN PERMISSION OF LYONS ELECTRIC, INC.

Application Note - H277 and H347 step-down transformers are qualified to drive multiple Halo LED modules on a single circuit in Non-IC construction. Installation of these transformers on individual fixtures on circuits with multiple LED loads is not recommended. H277 is 300VA and qualified to drive up to 15 Halo LED ML706x modules. H347 is 75VA and qualified to drive up to 3 Halo LED ML706x modules. Installation of individual H277 or H347 transformers on each LED downlight fixture in a multiple LED loaded circuit is not recommended due to resulting multiple inductive currents pulled by each transformer; in this situation the majority of the power would then be reactive (VARS) and not real (WATTS). If H277 or H347 transformers should be used individually on each LED fixture in a single circuit, then that circuit should be sized for lowered power factor as well as increased apparent power on the circuit. H277 and H347 are UL/cUL listed for use with Halo housings: H750T, H760TCP, H7T, H7TNB, H7RT, H750TD010, H760RTD010, H750TCPD010 housings.

Step Down Transformers
H277 - Steps 277 line voltage down to 120 volts. Attaches to knockout on first fixture's junction box in a circuit and is 300VA rated (15 modules max.). H277 is a UL recognized Component listed under the luminaire UL/cUL listing for Non-IC housings and LED Module.

H347 - Steps 347 line voltage down to 120 volts. Attaches to knockout on first fixture's junction box in a circuit and is 75VA rated (3 modules max.).

H347 is a CSA/UL Listed Component for use under the luminaire UL/cUL listing with Non-IC housings and a LED Module.

Transformer Load - H277 (300VA)

- H277 Transformer at full loading consumes a maximum of 16W of power
- When dimmer or switch is on the secondary (120V) side of the transformer, power is consumed by the transformer when the dimmer or switch is in "OFF" mode at 6.5W and in "ON" mode at 16W maximum with full loading.
- When a dimmer or switch is on the primary (277V) side of the transformer, power is consumed only in "ON" mode to a maximum of 16W under full loading.

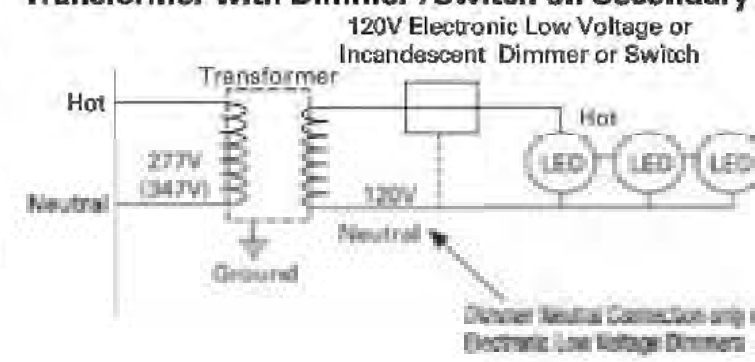
Transformer Load - H347 (75VA)

- H347 Transformer at full loading consumes a maximum of 15W of power
- When dimmer or switch is on the secondary (120V) side of the transformer, power is consumed by the transformer when the dimmer or switch is in "OFF" mode at 2.8W and in "ON" mode at 15W maximum with full loading.
- When a dimmer or switch is on the primary (347V) side of the transformer, power is consumed only in "ON" mode to a maximum of 15W under full loading.

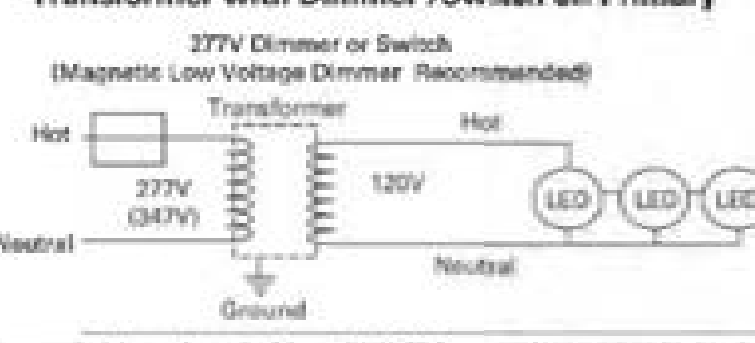
Protected / Non-insulated Soffits, Porches, and Canopies

Halo LED modules when used with Non-IC recessed housings in Non-insulated protected soffits, porches or canopies offers a solution for outdoor accent lighting. Halo LED is rated for operation from -30°C to 40°C when used with H7T, H7TNB, H7RT, ET700, ET700R, H750T, H760TCP, H750TD010, H750RTD010 Series non-IC housings.

Transformer with Dimmer /Switch on Secondary



Transformer with Dimmer /Switch on Primary



Dimmer or Switch may be on the Primary (277V) OR Secondary (120V) side of the transformer.



ORDERING INFORMATION

SAMPLE NUMBER: ML712835TUNVD010 494WB06

Order LED Module and trim separately

1200 Series LED Module			Trim Options		Accessories
ML712	8	35	TUNVD010		
ML712= 6" LED Module 1200 Series LED	8=80 CRI	27=2725°K 30=3045°K 35=3465°K 40=3885°K	TUNVD010= Non-IC, 120V-277V UNV Module with 0-10V DC dimming	494WB06=White Baffle/ white die cast trim ring. 493WBS06=Solite® Regressed Lens, upper reflector, White die-cast baffle and White die-cast trim ring with, Shower Rated.	494OPTIC=6" Over-Optic Diffuse Lens for use with Open LED Trims. (494 family). Shower rated. Oversize Trim Ring OT490WH=6" Oversize white die-cast trim ring 8-1/4" O.D. Attaches to LED module, substitute for standard trim ring shipped with trims. OT400P=Oversize White Metal Trim Ring 6" ID x 9-1/4" O.D. OT403P=Oversize White Plastic Trim Ring 6" ID x 8" O.D.

ML712835TUNVD010

Cooper Lighting
by

Cooper Lighting
by

Estee
1000 Euron Boulevard
Cleveland, OH 44132
United States
Euron.com

Estee's Cooper Lighting Business
1131 Highway 26 South
Peachtree City, GA 30269
P: (770) 488-4600
www.cooperlighting.com

© 2014, Estee
All Rights Reserved
Printed in USA
Publication No. 140259
February 2014

Specifications and dimensions subject to change without notice.

Solite® is a registered trademark of AGC Flat Glass North America

Revisions

No.	Description	Date

FIRM NAME AND ADDRESS:

Lyons Electric
75 Enterprise Rd.
Delafield, WI 53018

CONTACT INFORMATION:

Mark Bealhen
Main: (262)-646-6828
Fax: (262)-646-6829

PROJECT NAME:

PDQ - SITE
PHOTOMETRICS

3520 East Washington Avenue
Madison, WI

SHEET TITLE:

Photometric Site Plan
Cut Sheets

DRAWN BY:
KRK
DATE DRAWN:
5-26-15

APPROVED BY:
KRK

Sheet Of

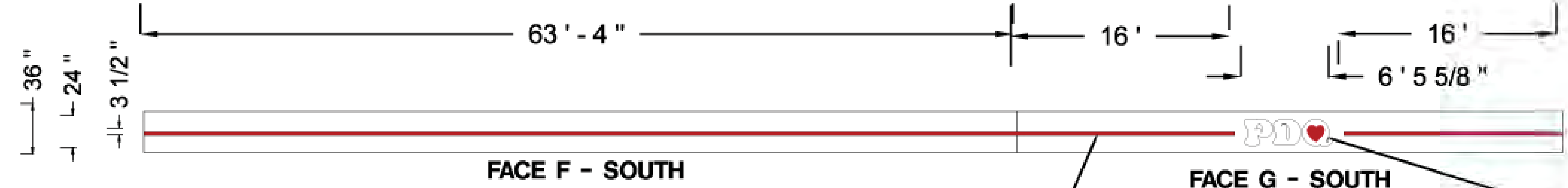
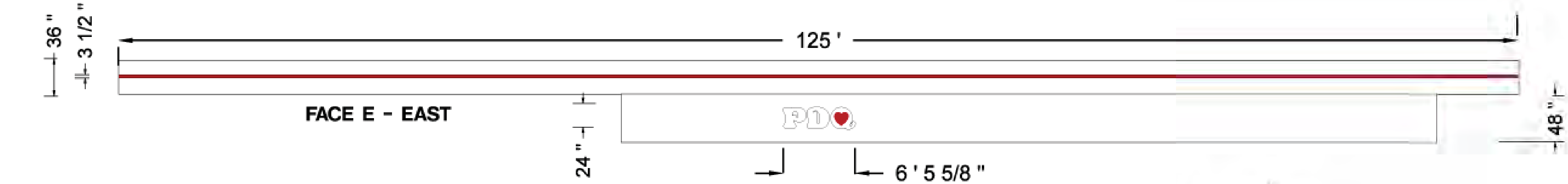
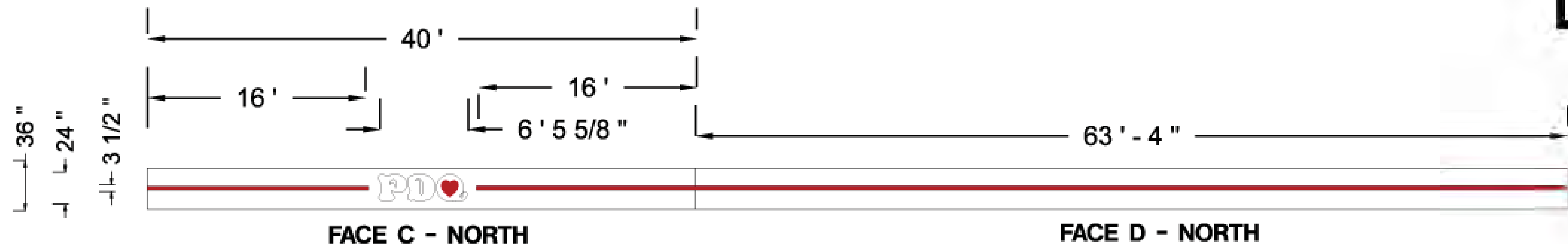
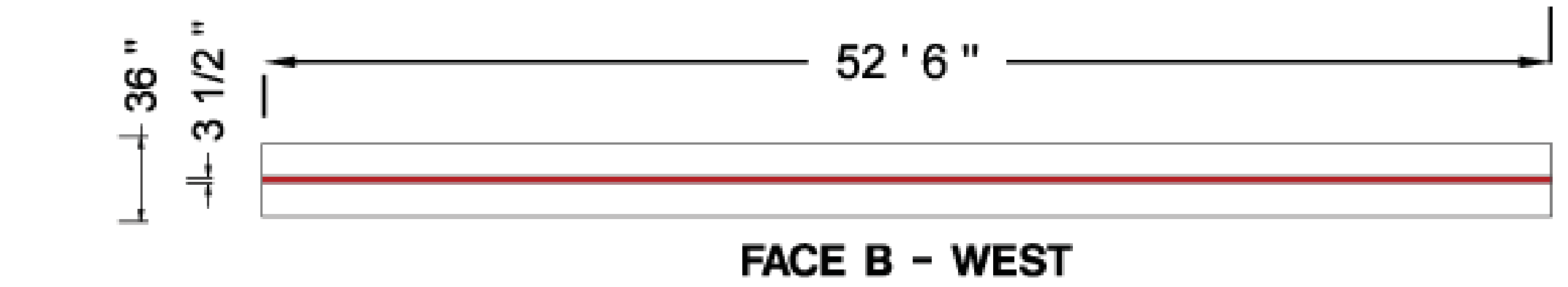
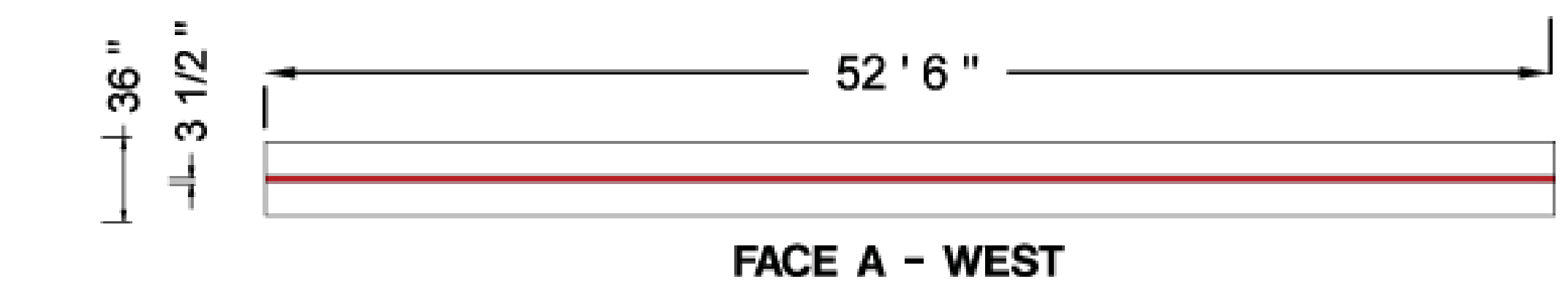
1010

SHEET:

ES109

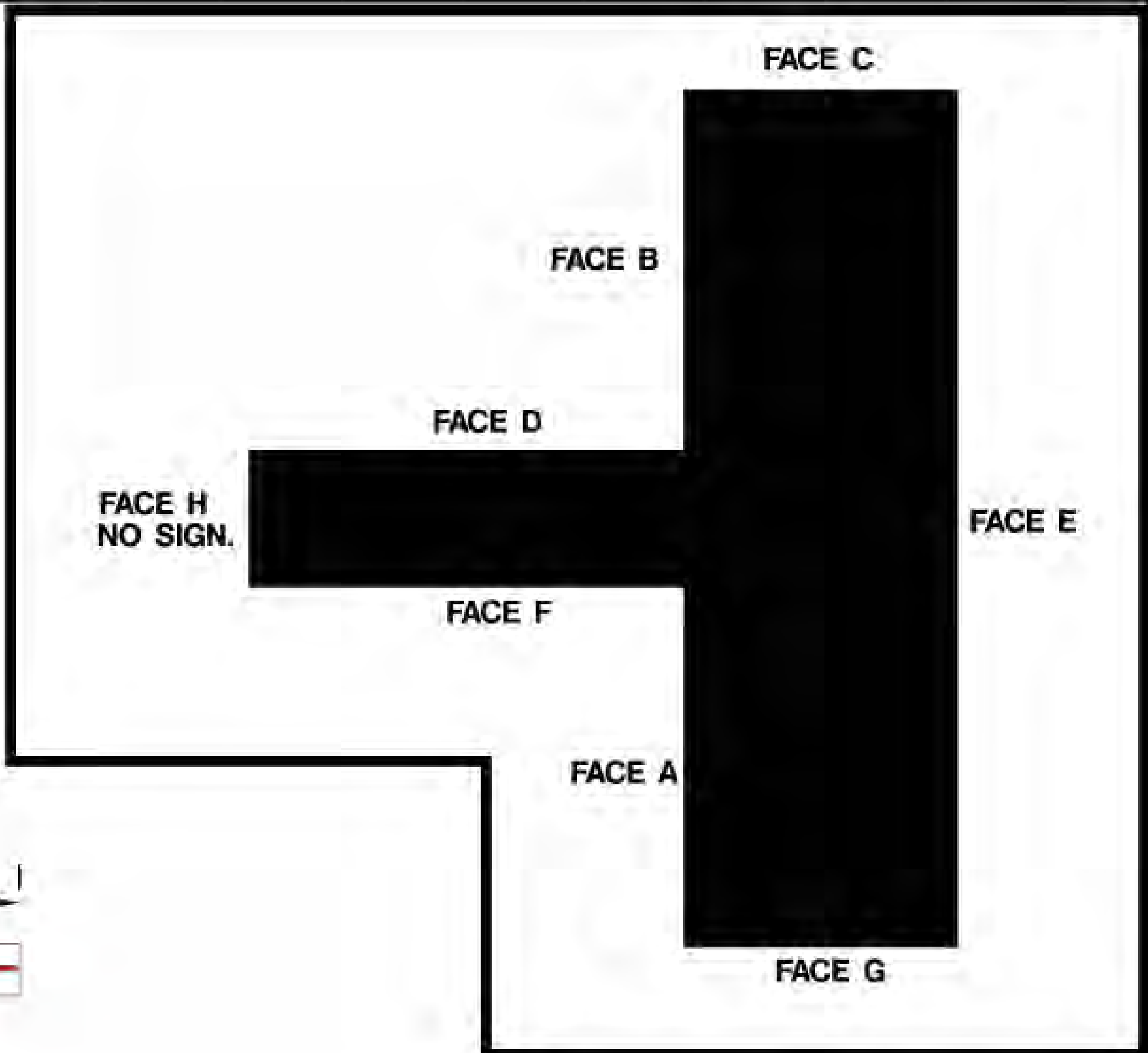
LYONS ELECTRIC IS NOT LIABLE OR HELD RESPONSIBLE FOR THE INSTALL ASSOCIATED WITH THIS DRAWING SET. THE INSTALLING ELECTRICAL CONTRACTOR ASSUMES FULL RESPONSIBILITY FOR A FULLY CODE COMPLIANT ELECTRICAL SYSTEM REGARDLESS OF THE INFORMATION FOUND IN THIS DRAWINGS SET.

DESCRIPTIVE TITLE VARIOUS SIGNS.



LED LIGHT BAR.

FRONT LIT CHANNEL LETTERS.
 FACES: WHITE ACRYLIC. HEART
 PORTION IS RED TRANSLUCENT VINYL.
 TRIM: BLACK.
 RETURNS: BLACK.
 ALL ILLUMINATED WITH WHITE
 LEDS.



SPECIFICATION NOTES

A WALL SIGNS.

Approved by: _____ Date: _____ Landlord: _____ Date: _____

This artwork is copyrighted and may not be otherwise used without permission. It is the property of La Crosse Sign Co., Inc. and must be returned to them.

LA CROSSE SIGN CO.
MAKE A STATEMENT!

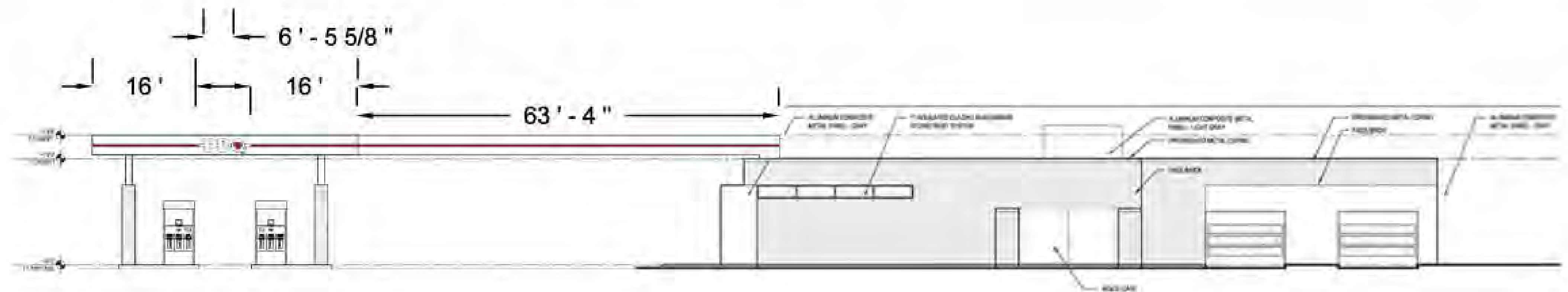
1450 Oak Forest Drive • Onalaska, WI 54650 • 608-781-1450
 2242 Mustang Way • Madison, WI 53718 • 608-222-5353
 2502 Melby Street • Eau Claire, WI 54703 • 715-835-6189

DESIGN	SALES	FILE	COLOR KEY
Drawing by: MICHAEL V JOLIN	Job Name: PDQ EasWasWall	Revision Number: REVISION #1.0	
Sign Type: VARIOUS SIGNS.	Job 3520 EAST WASHINGTON	Job File Location:	
Date Created: 5/21/2015	Address: MADISON WI, 53718		
Last Modified: 5/21/2015	Salesperson: BILL RUPP		
Scale:	Job Number: #5173		

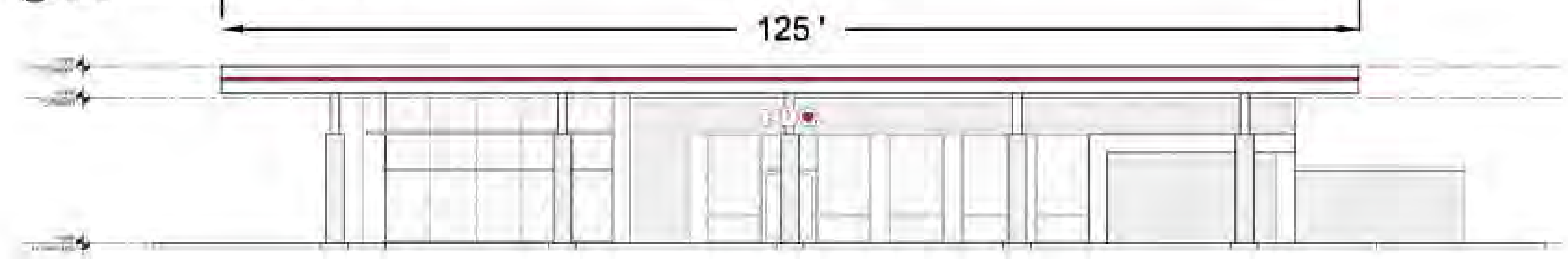
*COLORS ON SKETCH ARE ONLY A REPRESENTATION. ACTUAL COLOR OF FINISHED PRODUCT MAY DIFFER.

DESCRIPTIVE TITLE VARIOUS SIGNS.

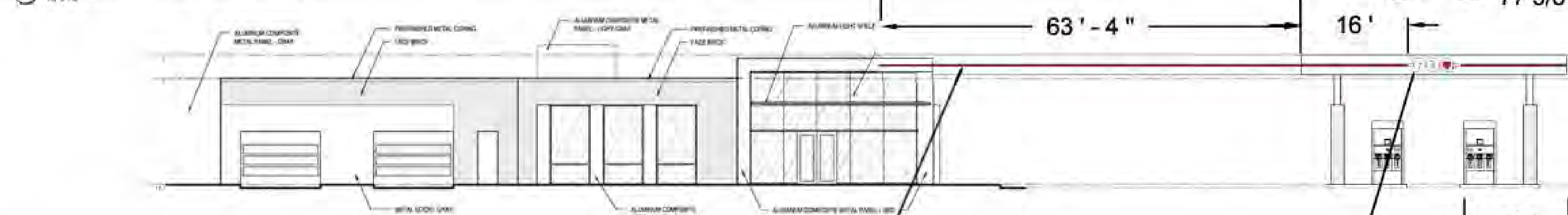
± 36" CANOPY HEIGHT.
 ± 24" LOGO HEIGHT.
 ± 3 1/2" LED BAR.



① NORTH ELEVATION - RIDGEWAY AVE



② EAST ELEVATION - SCHMEDEMAN AVE



③ SOUTH ELEVATION - EAST WASHINGTON AVE

± 3 1/2" LED BAR.
 ± 24" LOGO HEIGHT.
 ± 36" CANOPY HEIGHT.

LED LIGHT BAR.
 FRONT LIT CHANNEL LETTERS.
 FACES: WHITE ACRYLIC. HEART
 PORTION IS RED TRANSLUCENT VINYL.
 TRIM: BLACK.
 RETURNS. BLACK.
 ALL ILLUMINATED WITH WHITE
 LEDS.

Approved by: _____ Date: _____ Landlord: _____ Date: _____

This artwork is copyrighted and may not be otherwise used without permission. It is the property of La Crosse Sign Co., Inc., and must be returned to them.

DESIGN SALES FILE COLOR KEY

LA CROSSE SIGN CO.
MAKE A STATEMENT!
 1450 Oak Forest Drive • Onalaska, WI 54650 • 608-781-1450
 2242 Mustang Way • Madison, WI 53718 • 608-222-5353
 2502 Melby Street • Eau Claire, WI 54703 • 715-835-6189

Drawing by: MICHAEL V JOLIN	Job Name: PDQEasWasWall	Revision Number: REVISION #1.0
Sign Type: VARIOUS SIGNS.	Job Address: 3520 EAST WASHINGTON MADISON WI, 53718	Job File Location:
Date Created: 5/21/2015	Salesperson: BILL RUPP	
Last Modified: 5/21/2015	Job Number: #5173	
Scale:		

*COLORS ON SKETCH ARE ONLY A REPRESENTATION. ACTUAL COLOR OF FINISHED PRODUCT MAY DIFFER.

DESCRIPTIVE TITLE GROUND SIGN.



SIDE VIEW.



NIGHT VIEW.

SPECIFICATION NOTES

- A** DOUBLE FACED ILLUMINATED GROUND SIGN.
 - B** WHITE POLYCARB FACE WITH 1 COLOR RED TRANSLUCENT VINYL.
 - C** CABINET PAINTED BLACK.
 - D** REVELS PAINTED GREY.
 - E** RED LED BAR.
 - F** WHITE POLYCARB FACES WITH 2 COLORS RED AND GREEN TRANSLUCENT VINYLs.
 - G** 21" X 81" RED MONOCHROME MESSAGE CENTER.
 - H** WHITE POLYCARB FACE WITH 2 COLORS RED AND BLACK TRANSLUCENT VINYLs.
 - I** FORMED ALUMINUM CAP PAINTED GREY.
 - J** BRICK BLOCK BASE.
- SIGN IS ALL ILLUMINATED WITH WHITE LEDs.

Approved by: _____ Date: _____ Landlord: _____ Date: _____

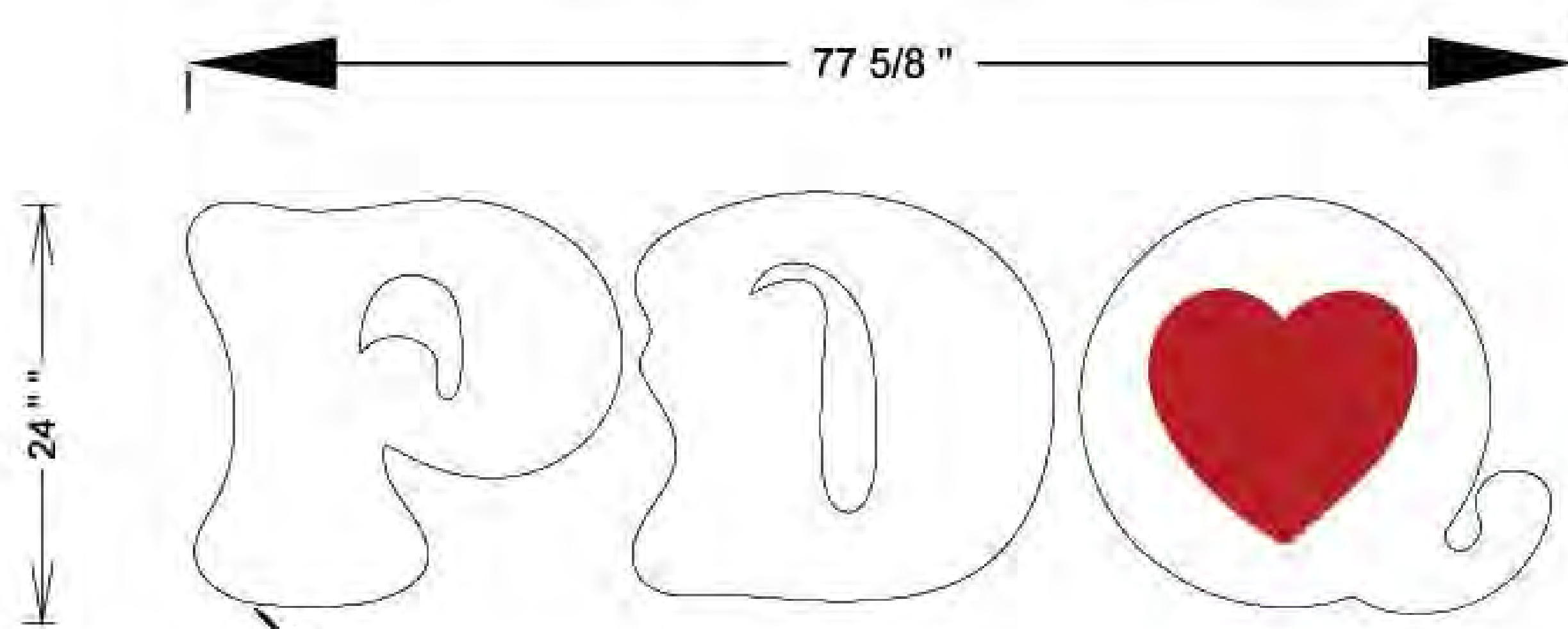
This artwork is copyrighted and may not be otherwise used without permission. It is the property of La Crosse Sign Co., Inc., and must be returned to them.

LA CROSSE SIGN CO.
MAKE A STATEMENT!
 1450 Oak Forest Drive • Onalaska, WI 54650 • 608-781-1450
 2242 Mustang Way • Madison, WI 53718 • 608-222-5353
 2502 Melby Street • Eau Claire, WI 54703 • 715-835-6189

DESIGN	SALES	FILE	COLOR KEY
Drawing by: MICHAEL V JOLIN	Job Name: PDQEasWasGro	Revision Number: REVISION #1.0	
Sign Type: GROUND SIGN.	Job Address: 3520 EAST WAHSHINGTON MADISON WI, 53718	Job File Location:	
Date Created: 5/22/2015	Salesperson: BILL RUPP		
Last Modified: 5/22/2015	Job Number: #85173		
Scale:			

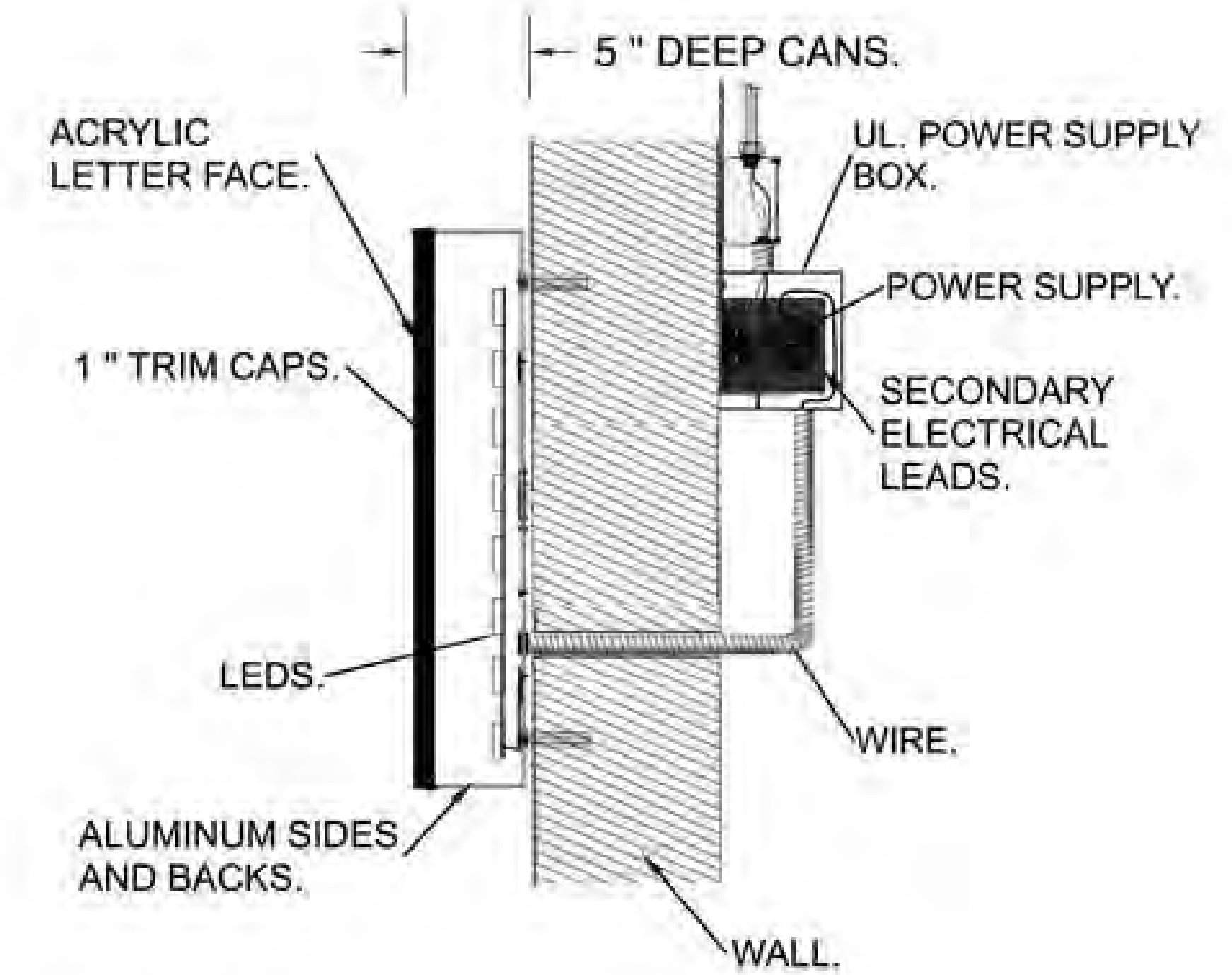
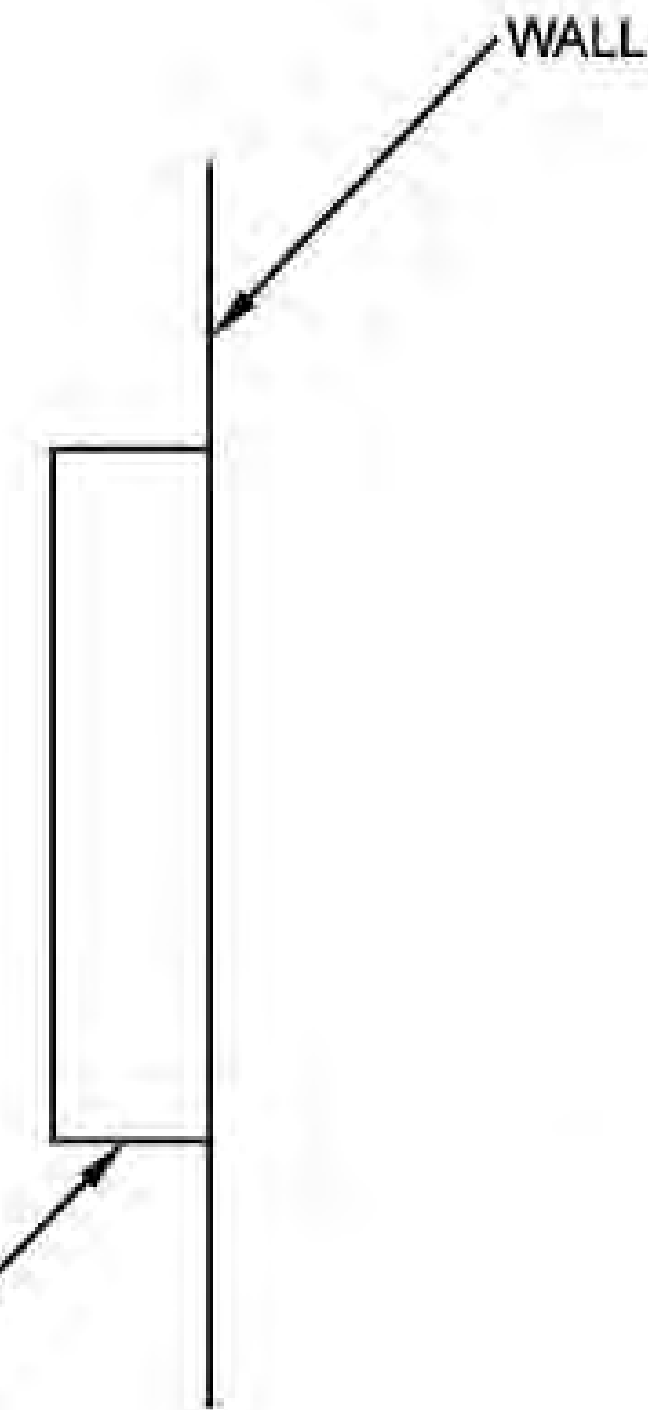
*COLORS ON SKETCH ARE ONLY A REPRESENTATION. ACTUAL COLOR OF FINISHED PRODUCT MAY DIFFER.

ALL 3 WALL SIGNS ARE THE SAME SIZE.



FRONT LIT CHANNEL LETTERS.
 FACES: WHITE ACRYLIC. HEART
 PORTION IS RED TRANSLUCENT VINYL.
 TRIM: BLACK.
 RETURNS: BLACK.
 ALL ILLUMINATED WITH WHITE
 LEDS.

LOGO CHANNEL LETTER.



NIGHT VIEW.

Approved by: _____ Date: _____ Landlord: _____ Date: _____

This artwork is copyrighted and may not be otherwise used without permission. It is the property of La Crosse Sign Co., Inc., and must be returned to them.



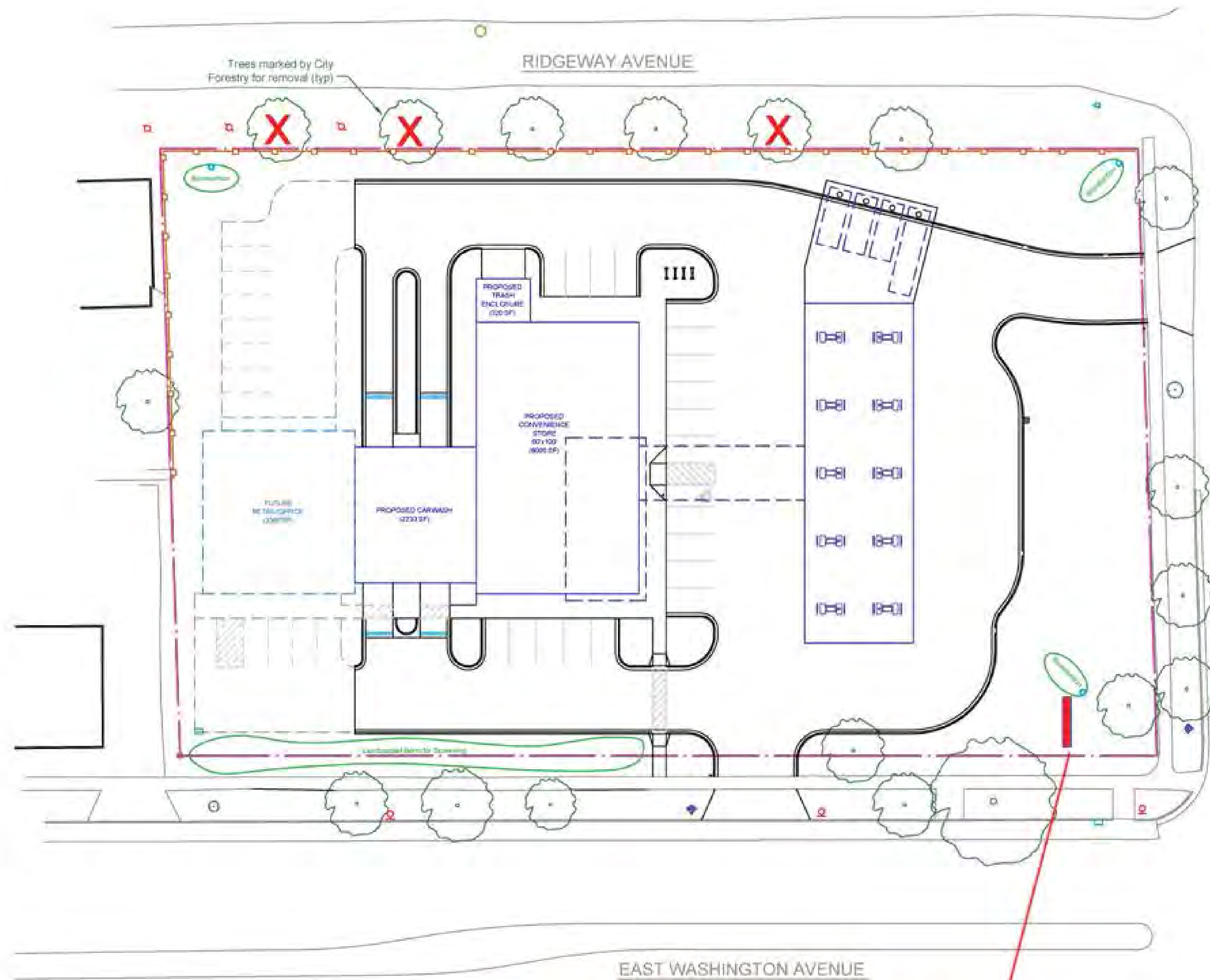
MAKE A STATEMENT!

1450 Oak Forest Drive • Onalaska, WI 54650 • 608-781-1450
 2242 Mustang Way • Madison, WI 53718 • 608-222-5353
 2502 Melby Street • Eau Claire, WI 54703 • 715-835-6189

DESIGN	SALES	FILE	COLOR KEY
Drawing by: MICHAEL V JOLIN	Job Name: PDQeasWasWall	Revision Number: REVISION #1.0	
Sign Type: VARIOUS SIGNS.	Job Address: 3520 EAST WASHINGTON MADISON WI, 53718	Job File Location:	
Date Created: 5/21/2015	Salesperson: BILL RUPP		
Last Modified: 5/21/2015	Job Number: #5173		
Scale:			

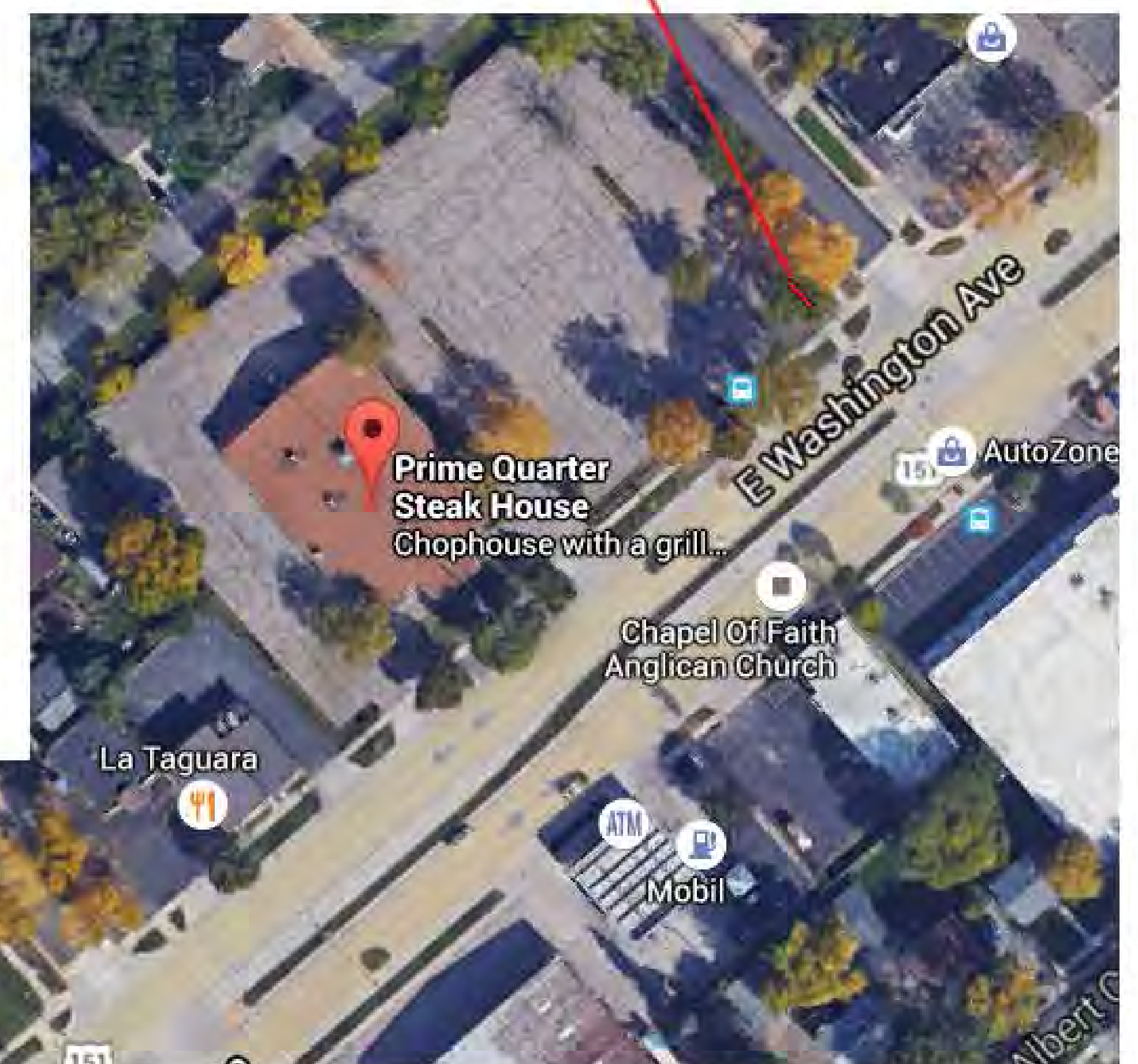
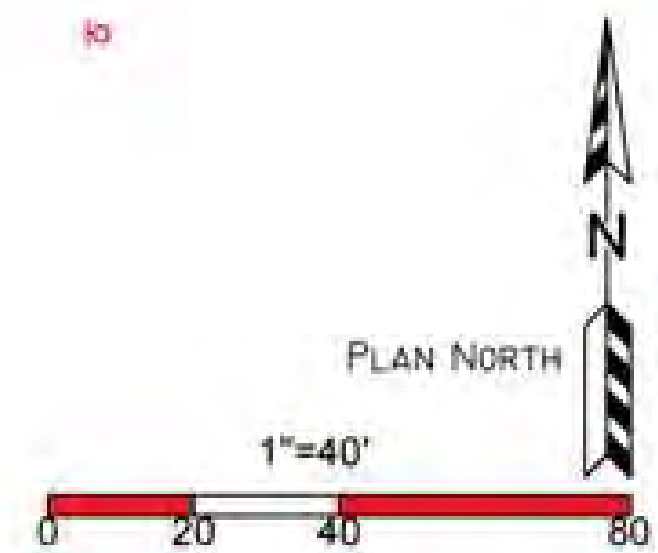
*COLORS ON SKETCH ARE ONLY A REPRESENTATION. ACTUAL COLOR OF FINISHED PRODUCT MAY DIFFER.

DESCRIPTIVE TITLE VARIOUS SIGNS.



GROUND SIGN HERE.

GROUND SIGN HERE.



Approved by: _____ Date: _____ Landlord: _____ Date: _____

This artwork is copyrighted and may not be otherwise used without permission. It is the property of La Crosse Sign Co., Inc., and must be returned to them.

LA CROSSE SIGN CO.
MAKE A STATEMENT!
 1450 Oak Forest Drive • Onalaska, WI 54650 • 608-781-1450
 2242 Mustang Way • Madison, WI 53718 • 608-222-5353
 2502 Melby Street • Eau Claire, WI 54703 • 715-835-6189

DESIGN	SALES	FILE	COLOR KEY
Drawing by: MICHAEL V JOLIN	Job Name: PDQEasWasWall	Revision Number: REVISION #1.0	<small>*COLORS ON SKETCH ARE ONLY A REPRESENTATION, ACTUAL COLOR OF FINISHED PRODUCT MAY DIFFER</small>
Sign Type: VARIOUS SIGNS.	Job 3520 EAST WASHINGTON Address: MADISON WI, 53718	Job File Location:	
Date Created: 5/21/2015	Salesperson: BILL RUPP		
Last Modified: 5/21/2015	Job Number: #5173		
Scale:			

SPECIFICATION NOTES

A WALL SIGNS.

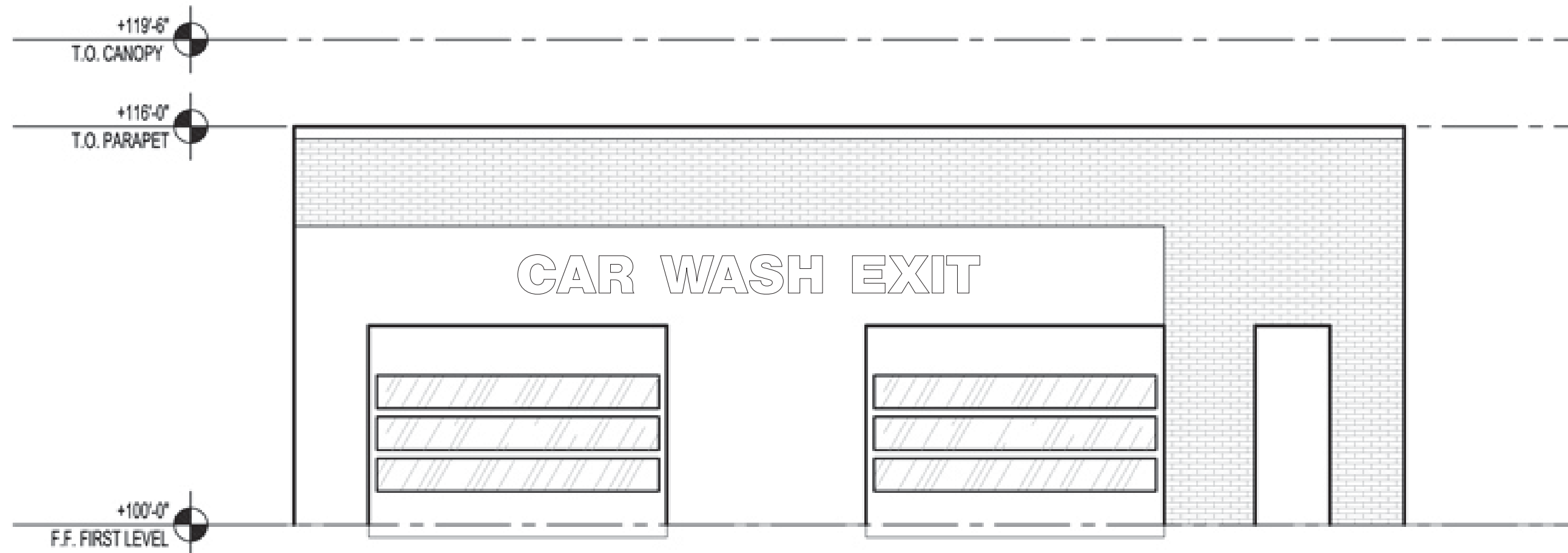
← 20' - 10" →
CAR WASH ENTER

18"

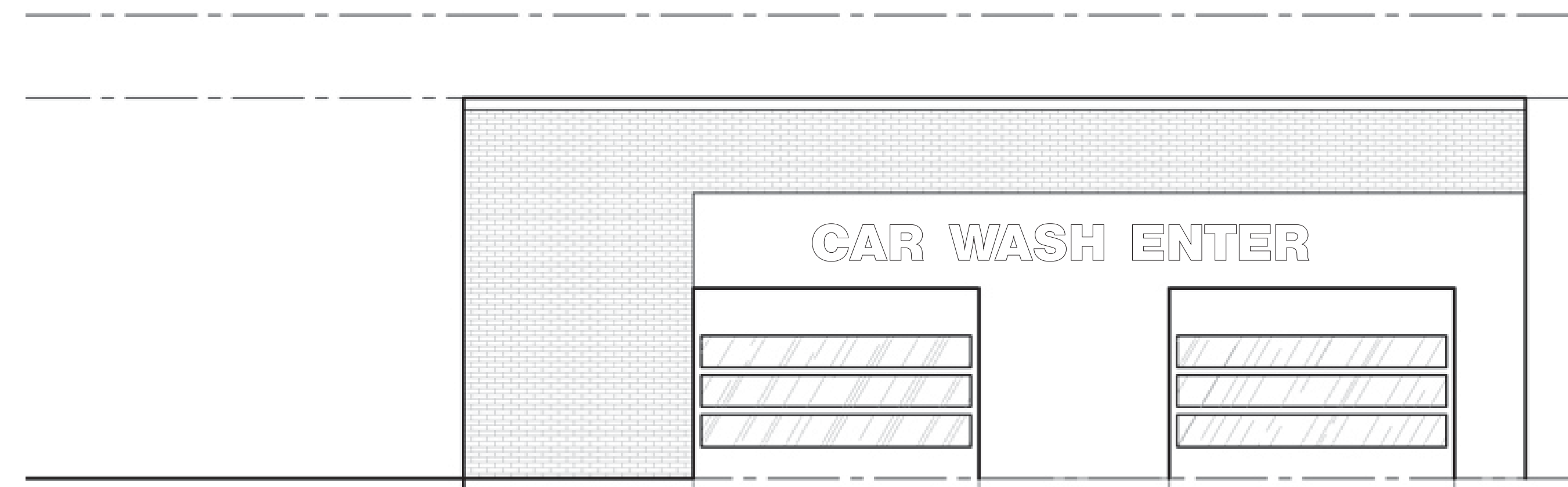
← 18' - 7" →
CAR WASH EXIT

18"

FRONT LIT CHANNEL LETTERS.
 FACES: WHITE ACRYLIC.
 TRIM: BLACK.
 RETURNS: BLACK.
 ILLUMINATED WITH WHITE LEDS.



3 SOUTH ELEVATION - EAST WASHINGTON AVE
 1/8" = 1'-0"



1 NORTH ELEVATION - RIDGEWAY AVE
 1/8" = 1'-0"

Approved by: _____ Date: _____ Landlord: _____ Date: _____

This artwork is copyrighted and may not be otherwise used without permission. It is the property of La Crosse Sign Co., inc., and must be returned to them.



1450 Oak Forest Drive • Onalaska, WI 54650 • 608-781-1450
 2242 Mustang Way • Madison, WI 53718 • 608-222-5353
 2502 Melby Street • Eau Claire, WI 54703 • 715-835-6189

DESIGN	SALES	FILE	COLOR KEY
Drawing by: MICHAEL V JOLIN	Job Name: PDQEasWasWall	Revision Number: REVISION #1.0	*COLORS ON SKETCH ARE ONLY A REPRESENTATION, ACTUAL COLOR OF FINISHED PRODUCT MAY DIFFER
Sign Type: VARIOUS SIGNS.	Job Address: 3520 EAST WASHINGTON MADISON WI, 53718	Job File Location:	
Date Created: 5/26/2015	Salesperson: BILL RUPP		
Last Modified: 5/26/2015	Job Number: #5173		
Scale:			