



BURGERS
THIS IS WHERE THE PERFECT BURGER
MEETS YOUR NEW FAVORITE BEER!



All of our hamburger patties are made of Certified Hereford Beef.

EXTRAS

- FRIED EGG .69
- EXTRA HAMBURGER PATTY 3.99
- TURKEY PATTY 2.99
- **GLUTEN FREE BUN 2.99
- BLACK BEAN PATTY 3.99
- BACON 1.39
- CHEESE
- Choices: American, Cheddar, Pepper Jack, Swiss, Provolone, Bleu, Colby Jack, Havarti and Habanero Jack .89

SAUCES

- Choice: BBQ, Cajun Lime, Honey Mustard, Red Pepper Mayo, Ranch and Bourbon Mayo
- 4 oz. - .69

Beer Cheese
Sauce - 1.39

PLEASE CALL AHEAD FOR TAKE OUT ORDERS

103 W. BROADWAY, SUITE B - MONONA, WI 53716

608-286-1131

VISIT US ONLINE AT MRBREWSTAPHOUSE.COM FOR MORE INFO AND LOCATIONS.

Our mouth-watering burgers begin with a generous 1/3 lb. freshly ground Certified Hereford Beef hamburger patty, cooked until medium well. It is then added to a toasted, fresh bakery bun. Pickles, lettuce, tomato and onions (raw or grilled) are complimentary additions to any burger, if requested.

Substitute any of our burgers with a delicious black bean patty, turkey burger or chicken breast for no additional cost.

ALL-AMERICAN CHEESE BURGER* | Smile and say "Cheese Please!" Pick your favorite cheese. 6.79

BACON MAC N CHEESE BURGER* | Our signature all beef patty topped with your childhood favorite, Mac n' Cheese. Finished off with bacon and a dash of cayenne. 7.89

CALIFORNIA BURGER* | Our tastiest yet! Fresh patty with a slice of pepperjack cheese and guacamole covered in our incredible roasted red bell pepper sauce and topped with lettuce, tomato and raw onions! 7.99

JALAPENO POPPER BURGER* | Your favorite snack done right! A smear of cream cheese spread, sauteed jalapeños, crispy French's french fried onions and our tangy BBQ sauce tops it off! Tip: it's even better with bacon! 8.49

BREWS-CHETTA BURGER* | Our signature patty, seasoned on a parmesan garlic dusted bun with melted havarti cheese, a generous portion of tomato bruschetta and finished with basil pesto mayo! 7.99

MR. BREWS PEANUT BUSTER* | You've never had a burger like this before! Peanut buttery deliciousness comes from our special peanut butter, bacon and habanero jack cheese. It won't stick to the roof of your mouth, but it'll make you say, "Mmmm!" 7.99

KENTUCKY BOURBON CLASSIC* | This tantalizing crowd-pleaser adds cheddar cheese crowned with grilled onions, two slices of bacon, french fried onions and topped with Mr. Brew's signature sauce - Kentucky Bourbon Mayo! 8.49

MUSHROOM & SWISS BURGER* | This American favorite comes with mounds of fresh mushrooms topped with our rich gravy sauce and melted Swiss cheese - a Mr. Brews Taphouse favorite! 7.99

RAJUN' CAJUN* | Your taste buds will get a workout with this zesty delight! Pepperjack cheese, grilled onions and our homemade Cajun Lime sauce. Kick'er up a notch by substituting habanero jack cheese and adding jalapeños for \$.39! Are you brave enough? 7.59

Kitchen closes one hour prior to bar closing for cleaning.

*Whether dining out or preparing food at home, consuming raw or undercooked meats, poultry, seafood, shellfish or eggs may increase your risk of foodborne illness.

**Gluten containing ingredients are prepared in our kitchen. We cannot guarantee that any menu item will be prepared completely free of gluten.

GET YOUR LOYALTY CARD & EARN POINTS TOWARD FREE ITEMS.
EVERY DOLLAR EARNS A POINT. REDEEM YOUR POINTS FOR GREAT REWARDS LIKE: SHIRTS, HATS, GIFT CARDS, FOOD, BEER AND MORE... ASK A SERVER FOR DETAILS.

STARTERS

PUB GRUB | A basket of our fresh cut chips or fries, covered with homemade beer cheese sauce, then sprinkled with a generous amount of chopped bacon and garnished with fresh chives. Perfect for sharing... or not! 6.49

MR BREWS WINGS | Dig into a basket of meaty wings tossed with your choice of classic or extra hot Buffalo, BBQ or sweet and spicy Asian sauce. Served with a side of ranch. 7.99

MR BREWS CHEESE CURDS | Squeaky fresh Wisconsin white cheddar cheese curds lightly dusted and fried to golden perfection. This crispy, gooey combination - no one can resist!!! 6.49

SPECIALTY SAMMIES

MR BREWS ORIGINAL PULLED PORK SANDWICH | Our custom recipe - sauced, pulled pork piled high atop a fresh toasted bakery bun. Served with crispy slaw and pickles on the side! 7.99

BREWS CHICKEN SANDWICH | An all-natural free range chicken breast is the juicy foundation for this classic! Topped with lettuce, tomato and a side of mayo, or your favorite sauce! 7.29
Add bacon for 1.39 or cheese for .89

GREENS

DRESSING CHOICES:

House-made Ranch,

French, Balsamic Vinaigrette,

House-made Creamy Cranberry Dressing

TROPICAL SALAD

Crisp salad greens tossed in blueberry pomegranate dressing and topped with fresh tropical mango salsa and mandarin oranges. Finished with crunchy walnuts and a sprinkle of feta cheese. Naked 6.99 With chicken 8.99

HOUSE SALAD | Crisp greens topped with tomato, onion, shredded cheese and croutons. 3.99

KID'S MENU

GRILLED CHEESE | 2.99

MAC N' CHEESE | 2.99

CHICKEN TENDERS | 4.99

All served with fresh cut fries. Free fruit snacks are available too!

FOR BIG KIDS

CHICKEN TENDER BASKET | Four crispy breaded chicken tenders served with your choice of sauce and our fresh cut fries. 7.99

BEVERAGES

SODA



Add a strawberry, blueberry or raspberry flavor shot to your lemonade 1.00

Chocolate Milk, Apple Juice, Cranberry Juice 2.49

1919 PREMIUM ROOT BEER

ON TAP | 2.99 (No refills please.)

FRIES - AND - CHIPS

FRESH CUT FRIES | Our fresh cut fries are cut upon order, this results in a denser, softer French fry just like Mom used to make! 2.99

FRESH CUT CHIPS | 2.59

SHOESTRING FRIES | 2.59
FRIES OR CHIPS - FAMILY ORDER 3.69

SWEET POTATO FRIES | 3.59
FAMILY ORDER 5.19

TRY ONE OF OUR SIGNATURE SEASONINGS:

Sea Salt and Cracked Pepper, BBQ, Cajun, Ranch, Cheddar or Parmesan Garlic



BEER

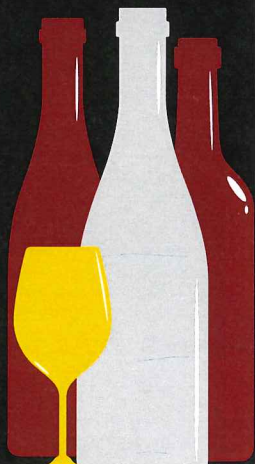
OUR TAP BEERS ARE EVER-CHANGING!

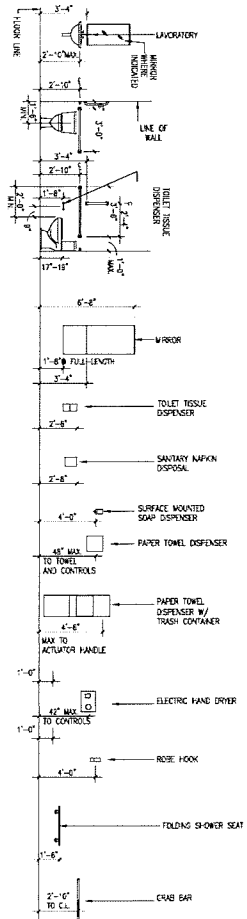
Check the hanging chalkboard or your table beer menu for the latest selections.

Check the bar display or ask your server for bottled beer selections.

WINES

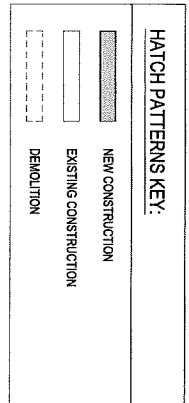
PLEASE SEE SERVER FOR CURRENT WINE SELECTION.





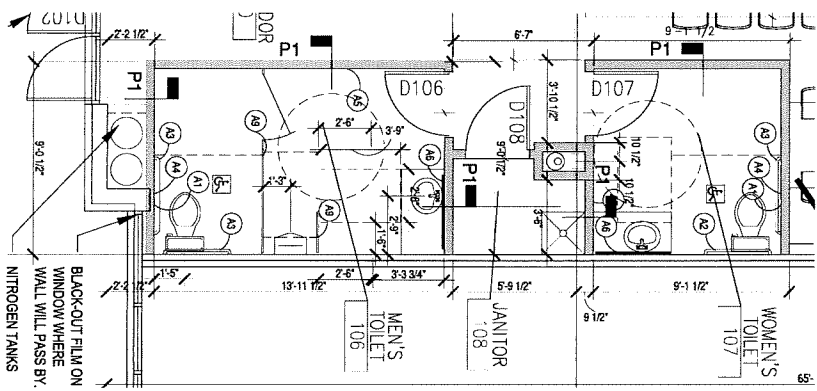
4 FIGURE MOUNTING HEIGHTS
1/4"=1'-0"

NOTES:
1. ACCESSORIES SHALL BE VERIFIED WITH THE OWNER & TENANT FOR SELECTED MODEL/TYPE.
2. PROVIDE BLOODING WITHIN WALLS TO SUPPORT ACCESSORIES @ HEIGHTS INDICATED.

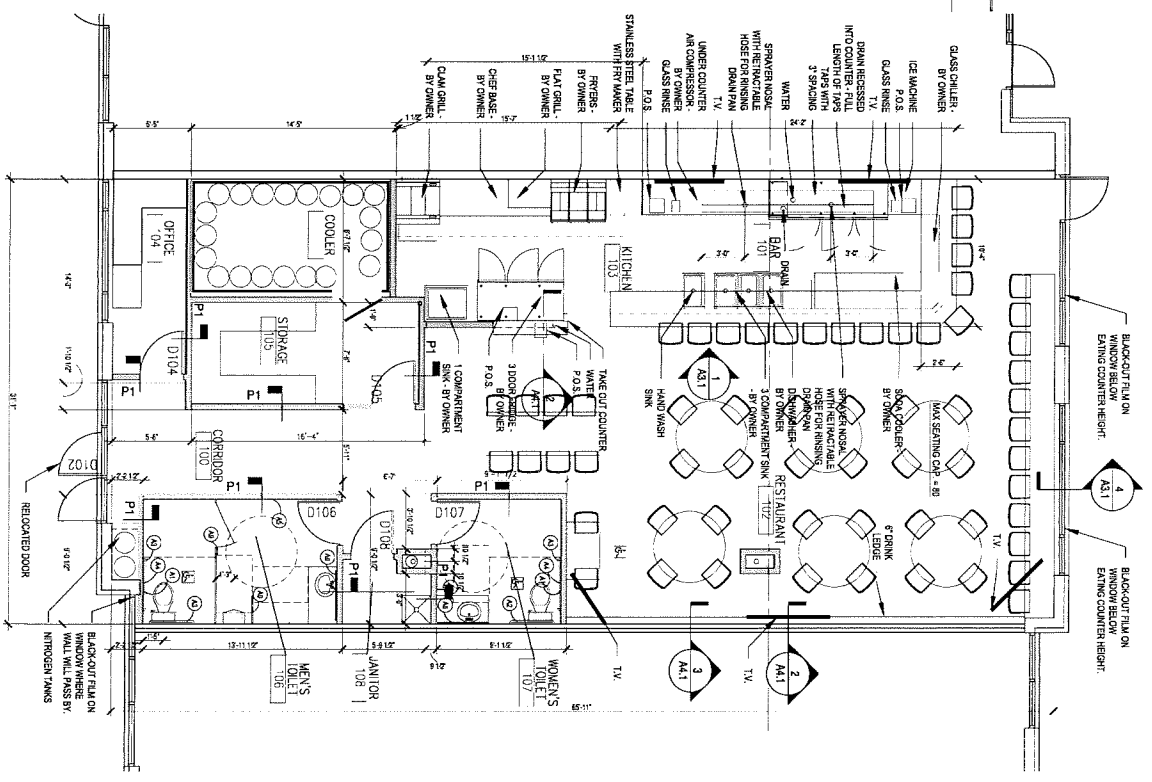


ACCESSORY SCHEDULE		
AGENCY / COMPONENT	SUPPLIED BY:	INSTALLED BY:
A1 3" TISSUE DISPENSER	BY G.C.	BY G.C.
A2 3" PAPER TOWEL DISPENSER	BY G.C.	BY G.C.
A3 3" SURFACE MOUNTED SOAP DISPENSER	BY G.C.	BY G.C.
A4 3" PAPER TOWEL DISPENSER	BY G.C.	BY G.C.
A5 3" SURFACE MOUNTED SOAP DISPENSER	BY G.C.	BY G.C.
A6 3" PAPER TOWEL DISPENSER W/ TRASH CONTAINER	BY G.C.	BY G.C.
A7 3" ELECTRIC HAND DRYER	BY G.C.	BY G.C.
A8 3" ROSE HOOK	BY G.C.	BY G.C.
A9 3" FOLDING SHOWER SEAT	BY G.C.	BY G.C.
A10 3" CRAB BAR	BY G.C.	BY G.C.

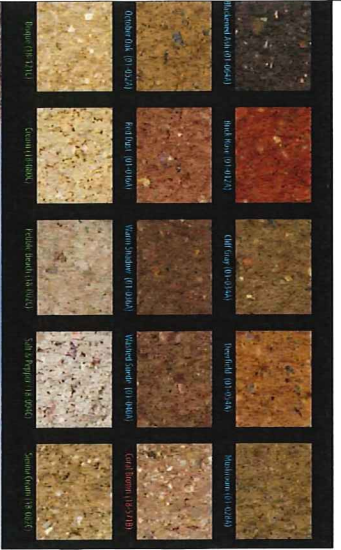
3 ACCESSORY SCHEDULE
3/8"=1'-0"



2 ENLARGED TOILET PLANS
3/8"=1'-0"



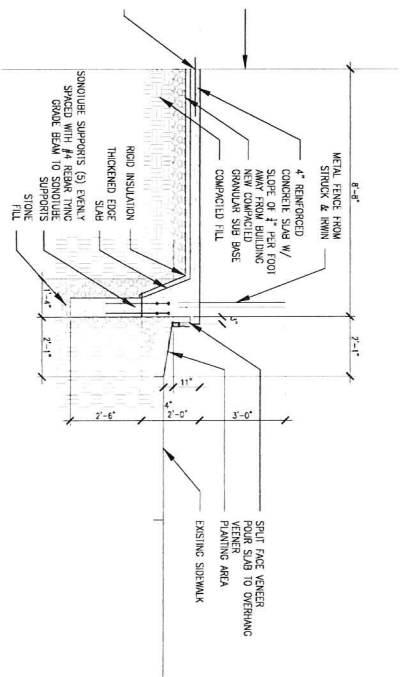
1 FLOOR PLAN
1/4"=1'-0"



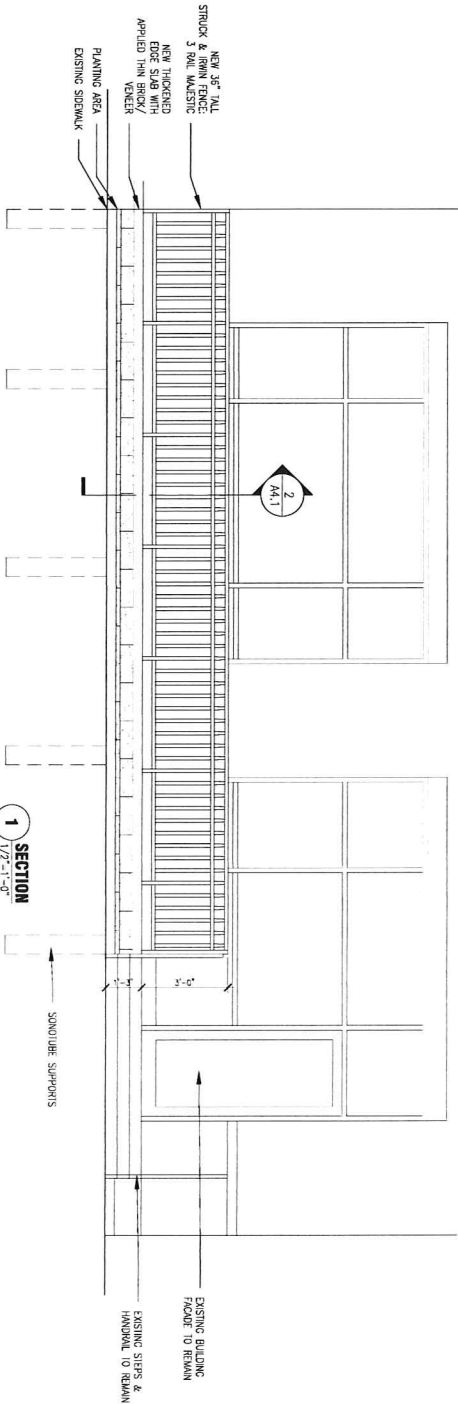
4 SAMPLE VENEER IMAGE
NOT TO SCALE



3 SAMPLE FENCE IMAGE
NOT TO SCALE



2 SECTION
1/2"=1'-0"



A4.1

04/14/2014
PERMIT SET
03/17/2014
APPROVAL CHANGES

ELEVATION & SECTION

BREWS BROTHERS
PATIO ADDITION
610 JUNCTION RD.
MADISON, WI 53717



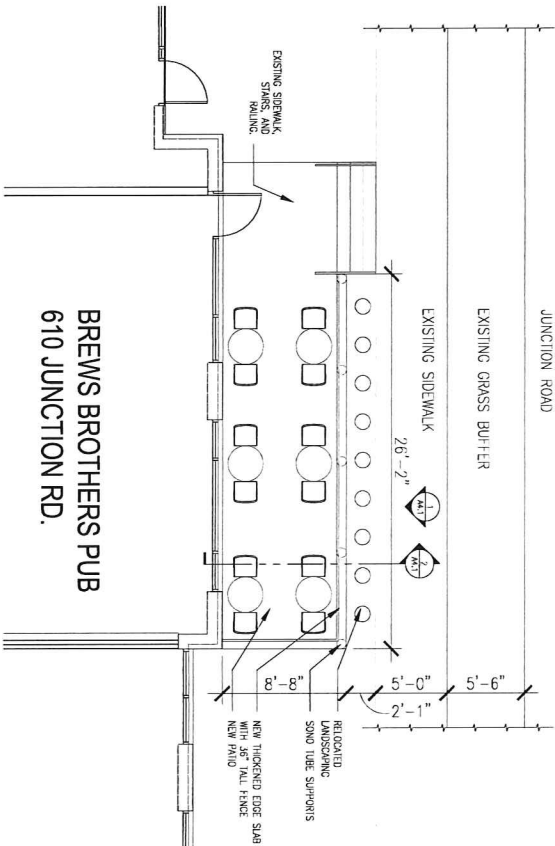


3 LOCATION IMAGE
N.T.S.



2 LOCATION IMAGE
N.T.S.

RELOCATE LANDSCAPING
TO THIS AREA
NEW PATIO, FENCE
AND RETAINING WALL



1 SITE PLAN
1/8"=1'-0"

BREWS BROTHERS PUB
610 JUNCTION RD.

FLOOR PLAN & IMAGES

BREWS BROTHERS

PATIO ADDITION
610 JUNCTION RD.
MADISON, WI 53717

