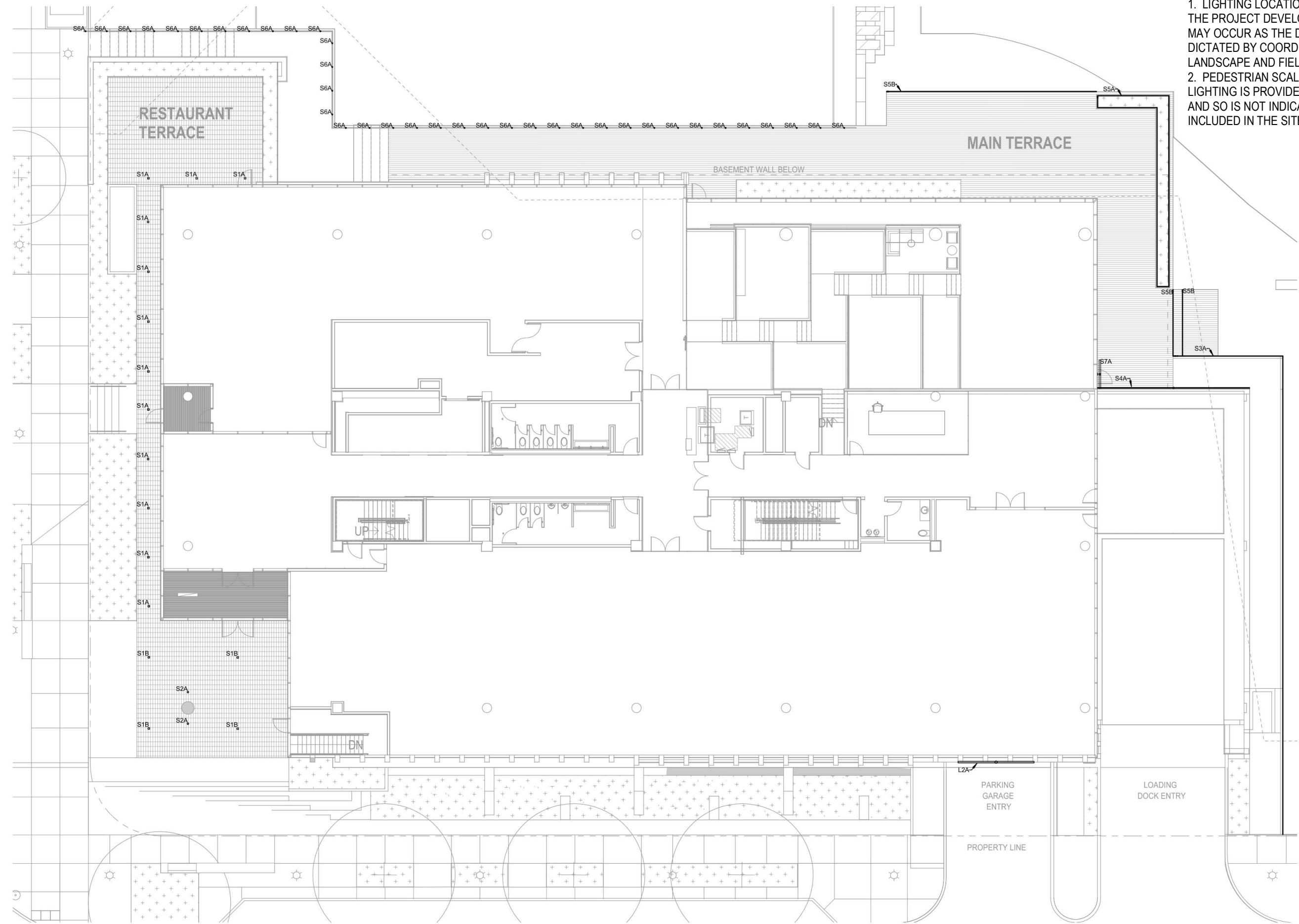
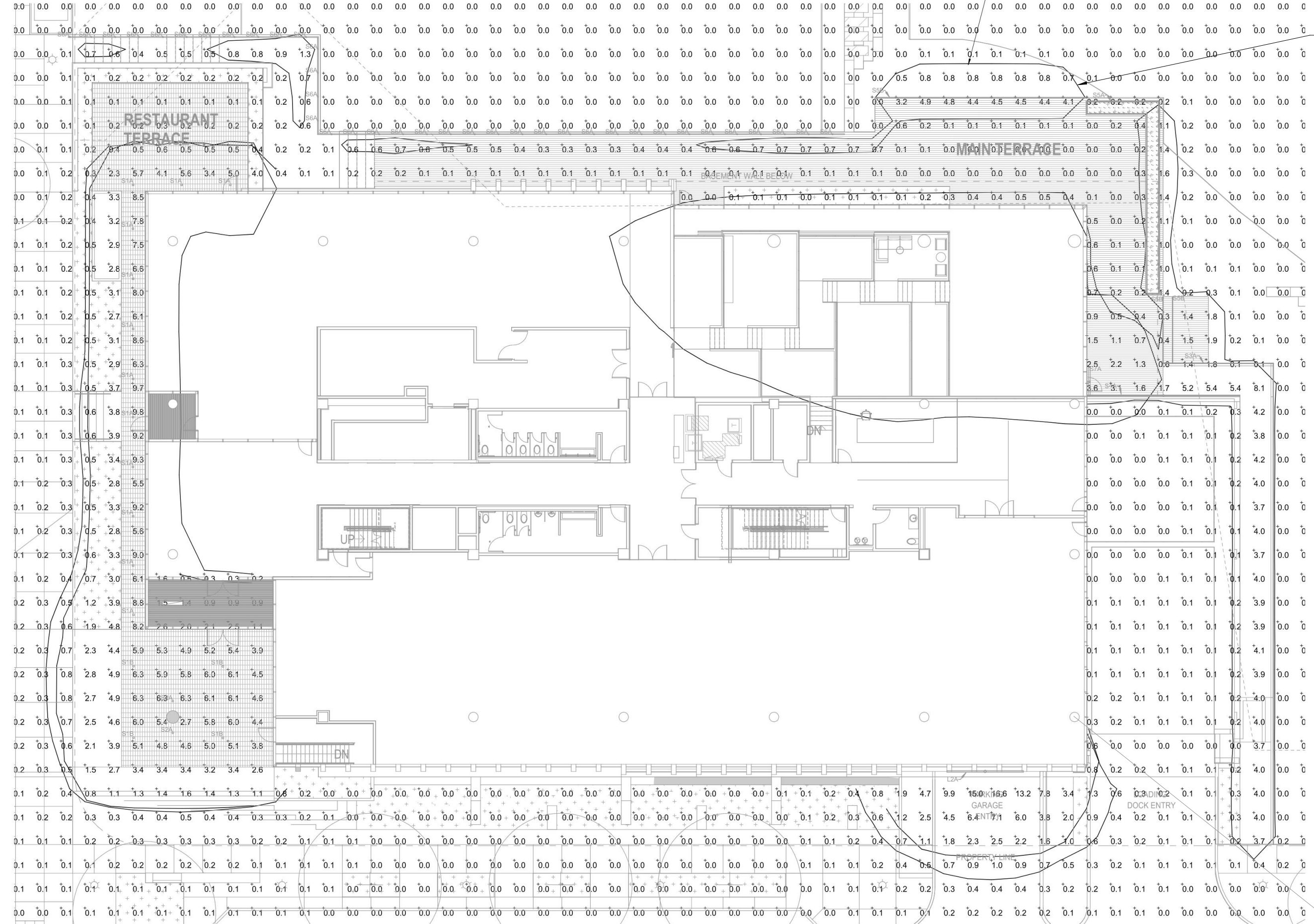
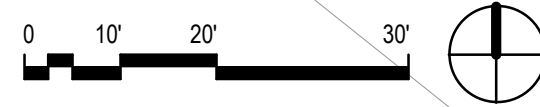


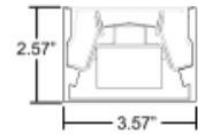
1. LIGHTING LOCATIONS ARE CONCEPTUAL BASED ON THE PROJECT DEVELOPMENT. MINOR MODIFICATIONS MAY OCCUR AS THE DESIGN PROCESS, AND AS DICTATED BY COORDINATION WITH HARDSCAPE, LANDSCAPE AND FIELD CONDITIONS.
 2. PEDESTRIAN SCALE SIDEWALK AND STREET LIGHTING IS PROVIDED UNDER A SEPARATE CONTRACT, AND SO IS NOT INDICATED ON THIS DRAWING OR INCLUDED IN THE SITE CALCULATIONS.





TYPICAL LINE
INDICATE WHERE
HORIZONTAL LIGHT
LEVEL DROPS BELOW
0.5 FOOTCANDLES AT
4'-0" ABOVE FINISHED
GRADE





ORDERING CODE

D4

D

PROJECT INFO _____ DATE _____

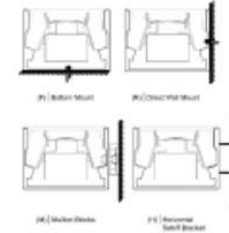
TYPE _____ QUANTITY _____

PERFORMANCE AT 4000K

OUTPUT	LUMINOUS DISTRIBUTION	NOMINAL LUMEN OUTPUT	INPUT WATTS	EFFICACY
V. High	Symmetric Wide	1,648 lm/ft	20 W/ft	90 lm/W
High	Symmetric Wide	824 lm/ft	9.2 W/ft	90 lm/W
	Symmetric Narrow	1060 lm/ft	9.7 W/ft	109 lm/W
	Asymmetric	768 lm/ft	9.7 W/ft	79 lm/W
Standard	Symmetric Wide	412 lm/ft	5 W/ft	90 lm/W
	Symmetric Narrow	530 lm/ft	5 W/ft	109 lm/W
	Asymmetric	384 lm/ft	5 W/ft	79 lm/W

Custom tuned output available from 25% to 125% of high output. Please consult factory for custom lumen output and wattage.

MOUNTING OPTIONS



D4	LENGTH OR PATTERN TYPE	OUTPUT	LED CCT	VOLTAGE	INDIRECT DISTRIBUTION
D4	Nominal Length*	LS LED Standard Output	27 2700K	U Universal 120V - 277V	M Symmetric Wide* G Symmetric Narrow N Asymmetric
	Exact Length**	LH LED High Output	30 3000K	3 347V	
		LVH LED Very High Output**	35 3500K		
		C_ LED Custom Output**	40 4000K		
	PL_ "L" Shape*** PU_ "U" Shape*** PR_ Rectangle / Square*** CP_ Custom Pattern****				

D	INDIRECT OPTICS	MOUNTING	FINISH	DIMMING	EMERGENCY
D	Rigid Diffuse Dust Cover	R Direct Wall Mount M Mullion Blocks** H Horizontal Soffit Bracket** F Bottom / Surface Mount	T Titanium W White B Black O Other*	D Standard 0-10V dimming* D1 Filume Ecosystems 1% (LDE1) D2 ELV 5% dimming** D3 DMX 0.1% dim-to-dark (EidoLED) D4 DALI dim-to-off (EidoLED) NAIR nLight @AIR (dim-to-off) NWIR nLight @Wired (dim-to-off) DO Dimming - Other	EC Emergency - circuited E_ Emergency - battery*

SENSORS	OPTIONS
OC Occupancy Sensor - Ceiling PC Photocell / Daylight Sensor - Ceiling OF Occupancy Sensor - Fixture PF Photocell / Daylight Sensor - Fixture OPC Occupancy & daylight Sensor - Ceiling OPF Occupancy & daylight Sensor - Fixture	M Multi-Circuit* R Right Endcap Feed L Left Endcap Feed N New York City Code K Natatorium Application** Q Wet Location*** CRI 90+ MRI MRI



3728 MARITIME WAY | OCEANSIDE, CA 92056 1760.727.7675
ALIGHTS.COM | REV. 1.1 02/21



FIXTURE TYPE L1A IS TO BE MULLION MOUNTED ON THE INTERIOR OF THE BUILDING, WITH ASYMMETRIC THROW OF LIGHT FACING INTO THE BUILDING SPACE. FIXTURE IS INCLUDED IN THE CALCULATIONS TO ACCOUNT FOR SPILL LIGHT FROM THE BUILDING TO THE DECK SURFACE.



Photometric Report (Type C)

Filename: D44LH40UND asymmetric .ies
[TEST] 1
[TESTLAB] Photopia 2015.0.1 see: www.ltiptics.com/ies
[LUMINAIRE] D14LH40UND
[LAMP] NPSL757DT-V1
[LAMP] LED 0.1885W Nichia Warm White LED (65mA)

Maximum Candela = 1932 at 0 H 135 V

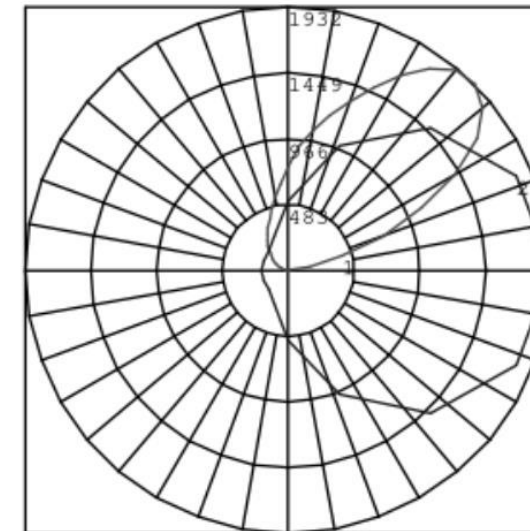
Classification:

Road Classification: N.A., N.A., N.A. (deprecated)
Upward West Light Ratio: 1.00
Luminaire Efficacy Rating (LER): 81
Maximum UGR: N.A.
Indoor Classification: Indirect
BUG Rating: B0-U5-G0

Polar Candela Curves:

Vertical Plane Through:
1) 0 - 180 Horizontal

Horizontal Cone Through:
2) 135 Vertical



AGI32/Photometric Report Generator - Copyright 1999-2021 by Lighting Analysts, Inc.
Calculations based on published IES Methods and recommendations, values rounded for display purposes.
Results derived from content of manufacturers photometric file.



**TYPE
L2A**

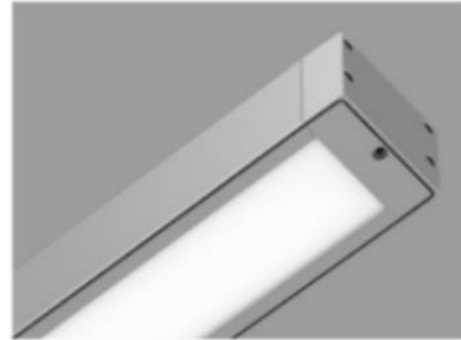
**TYPE
L2A**

VIA WET LED

RECESSED



LUMENWERX
WWW.LUMENWERX.COM



DESCRIPTION

Via Wet offers architectural lighting for wet locations in both exterior and interior applications. With a simple 3 1/4" high by 4 1/2" wide profile of extruded aluminum, Via Wet can be installed in recessed, ceiling, wall, or pendant mounting. Fully sealed, Via Wet is suitable for extreme weather condition, -20°C/-4°F to 40°C/104°F. A choice of output options provides up to 1000 lumens per foot section.

PROJECT: _____
TYPE: _____
NOTES: _____

IMPORTANT: Fixture must be installed with lens facing down.

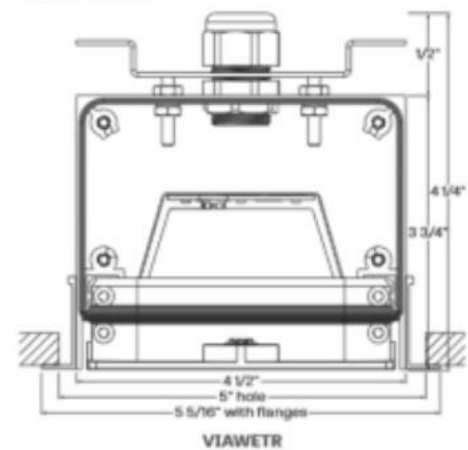
ORDER GUIDE

IC RATED

VIAWETR		LED				
LUMINAIRE ID	PROTECTIVE OPTICS	OPTICS	LIGHT SOURCE	CRI	LUMEN PACKAGES	COLOR TEMP.
VIAWETR - via wet recessed	TMG - Tempered Clear Glass PYC - Clear Polycarbonated	HLO - High-Efficiency Lambertian Optic PMO - Precision Micro-Prism Optic	LED - high performance LED	80 - 80CRI 90 - 90CRI	500 - min. low output 500lm/ft 750 - medium output 750lm/ft 1000 - max. high output 1000lm/ft *** - other required lm/ft	27 - 2700k 30 - 3000k 35 - 3500k 40 - 4000k 50 - 5000k
LUMINAIRE LENGTH	VOLTAGE	DRIVER	ELECTRICAL	POWER FEED	MOUNTING	FINISH
Standard sections - 3', 4' For all other specify length #FT - nominal length in feet Continuous Run - 4' sections joint together	120 - 120V 277 - 277V UNV - 120V-277V 347 - 347V	D1 - 1% dimming 0-10V DA - Dalí	E - 1 circuit +aEM - emergency light circuit +aNL - night light circuit +GTD*** - generator transfer device, 120V or 277V	TF - top feed EF - end feed	TRM - trim TRL - trimless	W - matte white CFA - custom finish specify RAL#

See page 2 for ordering code detailed information

CROSS SECTION



OPTICS AND PROTECTIVE OPTICS



Photometric Report (Type C)

Filename: viawet-tmghlo-led-80-500-30-4ft.ies
[TEST] Recalc from S1506174-R1
[TESTLAB] Spectra Lux Industries Inc.
[ISSUEDATE] 17 June 2015
[MANUFAC] LumenWerx
[LUMCAT] VIAWETR-TMG+HLO-LED-80-500-30-4FT
[LUMINAIRE] Via Wet
[LAMP] LED'S White c/w Driver @ 120.00V

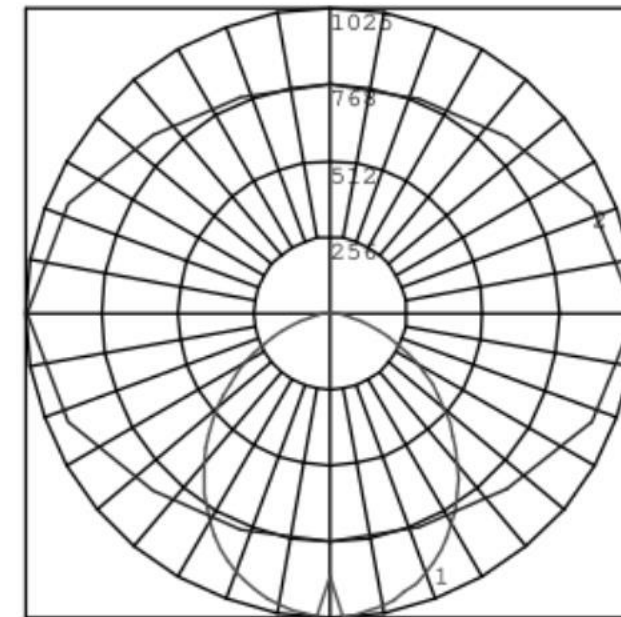
Maximum Candela = 1024.5059877634 at 0 H 2.5 V

Classification:

Road Classification: Type II, Very Short, N.A. (deprecated)
Upward Wast Light Ratio: 0.00
Luminaire Efficacy Rating (LER): 86
Maximum UGR: 24.8
Indoor Classification: Direct
BUG Rating : B1-U0-G1

Polar Candela Curves:

- Vertical Plane Through: 1) 0 - 180 Horizontal
- Horizontal Cone Through: 2) 2.5 Vertical



AGI32/Photometric Report Generator - Copyright 1999-2021 by Lighting Analysts, Inc. Calculations based on published IES Methods and recommendations, values rounded for display purposes. Results derived from content of manufacturers photometric file.





Photometric Report (Type C)

Filename: B4SC-09C3-30KS-40-S-WH-MOD.ies
 [TEST] 1164840
 [TESTLAB] UL Verification Services Inc.
 [ISSUEDATE] 9/28/2015 MOD to new nomenclature
 [MANUFAC] USA Illumination, Inc
 [LUMCAT] B4SC-16C3-30KS-40-S-WH MOD to 9W
 [LUMINAIRE] Formed steel housing, aluminum heatsink, white aluminum trim, patterned glass lens, no enclosure
 [LAMP] Seven white LEDs
 [BALLAST] One Thomas Research Products LED25W-36-C0700-D

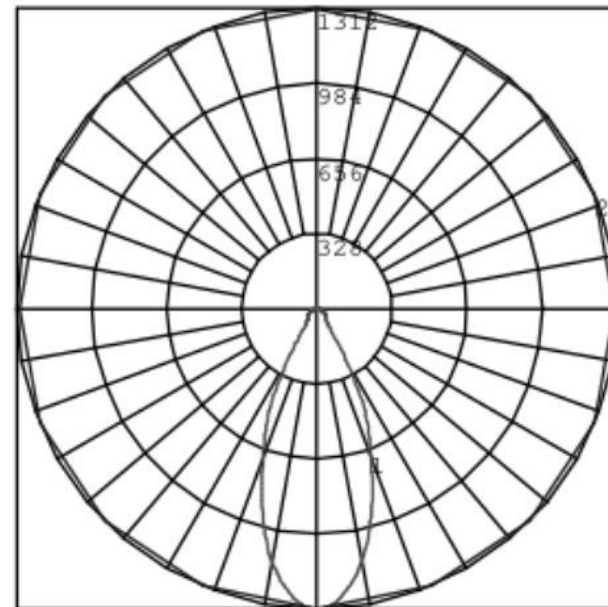
Maximum Candela = 1312.22378211021 at 67.5 H .5 V

Classification:

Road Classification: Type VS, Very Short, N.A. (deprecated)
 Upward Wast Light Ratio: 0.00
 Luminaire Efficacy Rating (LER): 88
 Maximum UGR: 19.1
 Indoor Classification: Direct
 BUG Rating : B1-U1-G0

Polar Candela Curves:

Vertical Plane Through:
 1) 67.5 - 247.5 Horizontal
 Horizontal Cone Through:
 2) 0.5 Vertical



Photometric Report (Type C)

Filename: B4SC-33C3-30KS-40-S-WH-MOD.ies
 [TEST] 1164840
 [TESTLAB] UL Verification Services Inc.
 [ISSUEDATE] 9/28/2015 MOD to new nomenclature
 [MANUFAC] USA Illumination, Inc
 [LUMCAT] B4SC-16C3-30KS-40-S-WH MOD to 33W
 [LUMINAIRE] Formed steel housing, aluminum heatsink, white aluminum trim, patterned glass lens, no enclosure
 [LAMP] Seven white LEDs
 [BALLAST] One Thomas Research Products LED25W-36-C0700-D

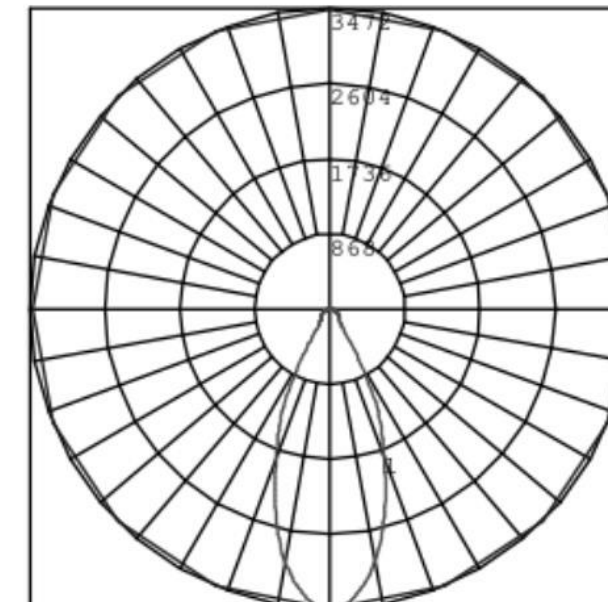
Maximum Candela = 3471.70984134674 at 67.5 H .5 V

Classification:

Road Classification: Type VS, Very Short, N.A. (deprecated)
 Upward Wast Light Ratio: 0.00
 Luminaire Efficacy Rating (LER): 63
 Maximum UGR: 25.8
 Indoor Classification: Direct
 BUG Rating : B2-U1-G0

Polar Candela Curves:

Vertical Plane Through:
 1) 67.5 - 247.5 Horizontal
 Horizontal Cone Through:
 2) 0.5 Vertical



AGI32/Photometric Report Generator - Copyright 1999-2021 by Lighting Analysts, Inc.
 Calculations based on published IES Methods and recommendations, values rounded for display purposes.
 Results derived from content of manufacturers photometric file.

AGI32/Photometric Report Generator - Copyright 1999-2021 by Lighting Analysts, Inc.
 Calculations based on published IES Methods and recommendations, values rounded for display purposes.
 Results derived from content of manufacturers photometric file.



TYPE S2A

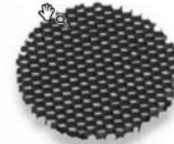
DENALI - UPLIGHT FLUSH MOUNT LED (INTEGRAL) IP66 RATED

DATE: _____ PROJECT: _____ TYPE: _____

CATALOG NUMBER LOGIC:



*Accommodates up to 2 lens/shielding media
**120V only



#11 Honeycomb Baffle
Reduces glare by controlling light at 45° cutoff

CATALOG NUMBER LOGIC	
Example: B - UL - F - DE - LED - TR - x99 - FL - WHP - 12 - 11 - INC - 120	
MATERIAL	
(Blank) - Aluminum B - Brass S - Stainless	
SERIES	
UL - Recessed Uplight	
INSTALLATION	
F - Flush Mount	
FIXTURE	
DE - Denali Series	
SOURCE	
LED - Chip on Board Technology	
HOUSING	
TR - Integral Driver	
LED TYPE	
x98 - 13W/2700K/80CRI	x101 - 13W/2700K/90CRI
x99 - 13W/3000K/80CRI	x102 - 13W/3000K/90CRI
x103 - 13W/3500K/80CRI	x104 - 13W/3500K/90CRI
x100 - 13W/4000K/80CRI	x121 - 13W/4000K/90CRI
x122 - 21W/2700K/80CRI	x126 - 21W/2700K/90CRI
x123 - 21W/3000K/80CRI	x127 - 21W/3000K/90CRI
x124 - 21W/3500K/80CRI	x128 - 21W/3500K/90CRI
x125 - 21W/4000K/80CRI	x129 - 21W/4000K/90CRI
OPTICS	
SP - Spot (20°) FL - Flood (40°) WFL - Wide Flood (60°)	
FINISH (See page 2 for full-color swatches)	
Standard Finishes (BZP, BZW, BLP, BLW, WHP, WHW, SAP, VER)	
Premium Finish (ABP, AMG, AQW, BCM, BGE, BPP, CAP, CMG, CRI, CRM, HUG, MDS, NBP, OCP, RMG, SDS, SMG, TXF, WCP, WIR)	
Also available in RAL Finishes	
Brass Finishes (MAC, POL, MIT)	
Stainless Steel Finishes (MAC, POL)	
LENS TYPE*	
9 - Clear (Standard)	
12 - Soft Focus 13 - Rectilinear	
SHIELDING*	
11 - Honeycomb Baffle	
CONTROL	
ELV - Dimming Driver (For use with Electronic Low Voltage Dimmer)**	
INC - Dimming Driver (For use with Incandescent Dimmer)**	
INPUT VOLTAGE	
120 - 120 VAC	



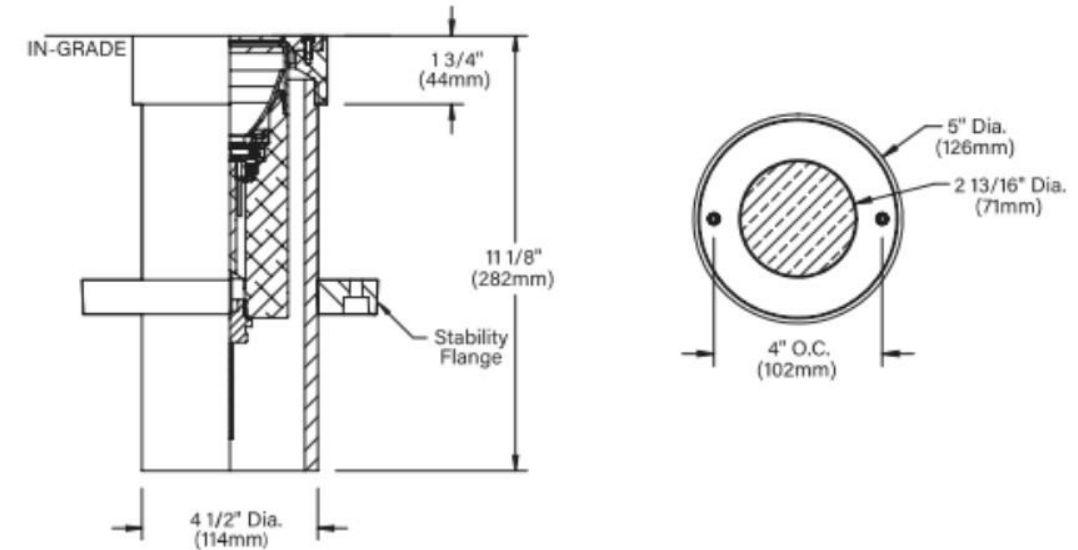
B-K LIGHTING MADE IN THE USA 559.438.5800 | INFO@BKLIGHTING.COM | BKLIGHTING.COM

THIS DOCUMENT CONTAINS PROPRIETARY INFORMATION OF B-K LIGHTING, INC. AND ITS RECEIPT OR POSSESSION DOES NOT CONVEY ANY RIGHTS TO REPRODUCE, INSOLE, OR ITS CONTENTS, OR TO MANUFACTURE, USE OR SELL ANYTHING IT MAY DESCRIBE. REPRODUCTION, DISCLOSURE OR USE WITHOUT SPECIFIC WRITTEN AUTHORIZATION OF B-K LIGHTING, INC. IS STRICTLY FORBIDDEN. 02/03/2021 SKJ-1368 SUB-2825-00

TYPE S2A

DENALI - UPLIGHT FLUSH MOUNT LED (INTEGRAL) IP66 RATED

DATE: _____ PROJECT: _____ TYPE: _____



STANDARD FINISHES

[Click Here](#) to view larger, full-color swatches of all available finishes on our website.

PREMIUM FINISHES

B-K LIGHTING MADE IN THE USA 559.438.5800 | INFO@BKLIGHTING.COM | BKLIGHTING.COM

THIS DOCUMENT CONTAINS PROPRIETARY INFORMATION OF B-K LIGHTING, INC. AND ITS RECEIPT OR POSSESSION DOES NOT CONVEY ANY RIGHTS TO REPRODUCE, INSOLE, OR ITS CONTENTS, OR TO MANUFACTURE, USE OR SELL ANYTHING IT MAY DESCRIBE. REPRODUCTION, DISCLOSURE OR USE WITHOUT SPECIFIC WRITTEN AUTHORIZATION OF B-K LIGHTING, INC. IS STRICTLY FORBIDDEN. 02/03/2021 SKJ-1368 SL-2825-00

FIXTURE TYPE S2A IS TO BE GROUND MOUNTED BENEATH THE ENTRY CANOPY. HEX LOUVER WILL PROVIDE SHIELDING OF LAMP FROM DIRECT VIEW.





Photometric Report (Type C)

Filename: DE-LED-TR-X125-SP-9-C-13583921.04.ies
[TEST] 13583921.04
[TESTLAB] UL Verification Services Inc.
[ISSUEDATE] 2/5/2021
[MANUFAC] B-K Lighting INC
[LUMCAT] DE-LED-TR-X125-SP-9-C-PROTOTYPE(4000K)
[LUMINAIRE] White metal cylindrical housing and clear glass lens
[LAMP] One (1) White LED
[BALLAST] One (1) ERP EBR020U-0700-30

Maximum Candela - 10430.8 at 0 H 0 V

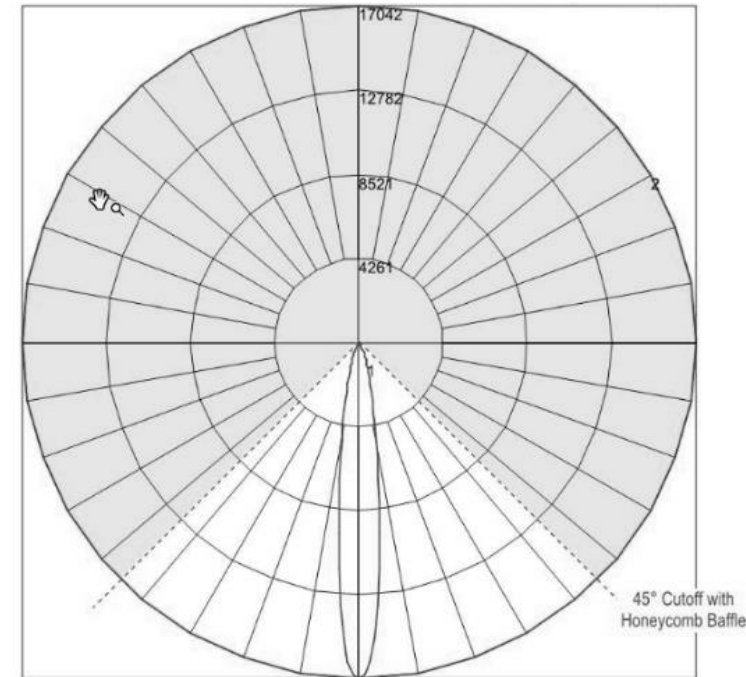
Classification:

Road Classification: Type V, Very Short, N.A. (deprecated)
Upward Wast Light Ratio: 0.00
Luminaire Efficacy Rating (LER): 64
Maximum UGR: 13.5
Indoor Classification: Direct
BUG Rating : B2-U0-G0

Polar Candela Curves:

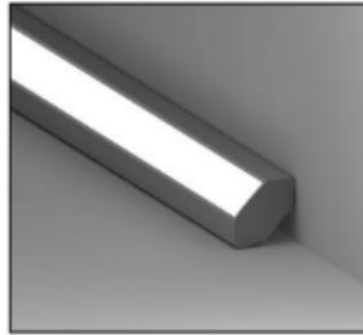
Vertical Plane Through:
1) 0 - 180 Horizontal

Horizontal Cone Through:
2) 0 Vertical



AGI32/Photometric Report Generator - Copyright 1999-2021 by Lighting Analysts, Inc.
Calculations based on published IES Methods and recommendations, values rounded for display purposes.
Results derived from content of manufacturer's photometric file.





Features

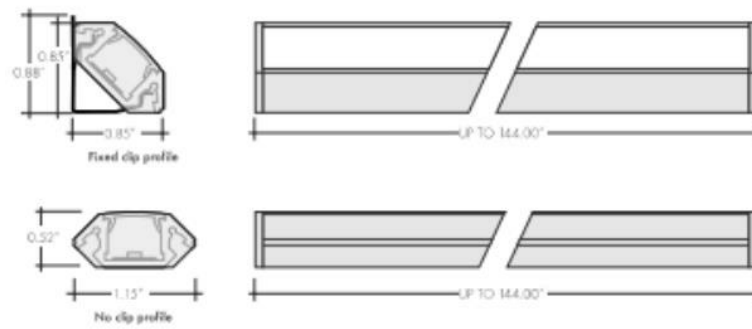
- 24VDC Class 2 fixtures made to order up to 144". Fixtures can be linked up to 35' depending on output
- Suitable for undercabinet, millwork, recessed and surface mount applications
- Approved for closet/storage space installation per NEC 410.16(A)(3) and 410.16(C)(5)
- Operating environmental temperature -30C to 50C
- Vibrant colors with R9 values up to 98
- Class 2 listed for wet locations
- Dims with minimal color shift
- Proprietary strong bond solder method handles up to 50lbs of torque on wire leads and connectors
- 3 Year warranty



Finish options

- Silver anodized
- Black powder coated
- Bronze powder coated
- White powder coated

Profile dimensions



Technical information

OUTPUT OPTIONS					CCT INFO/LUMEN MULTIPLIER			TM-30-15
Output	Lumens at 3000K (with clear lens)	Average power consumption at 4'	Lumens / Watt (with clear lens)	Maximum system length in series	Color temperature	Multiplier (reference: 3000K)	CRI	R _f R _g
SO (IL36)	199 lm/ft	3.2 W/ft	64 lm/W	35'	2200K	0.87	86	87 98
HO (IL54)	295 lm/ft	5.2 W/ft	62 lm/W	26'	2400K	0.73	98	95 102
VHO (IL72)	408 lm/ft	6.5 W/ft	65 lm/W	18'	2700K	0.81	97	95 101
					2900K	0.86	97	94 101
					3000K	1.00	91	89 98
					3500K	1.05	94	90 102
					4100K	1.28	94	86 96

Ordering code

MODEL	LENGTH	CCT	OUTPUT	LENS	MOUNTING	FINISH	POWER FEED POSITION / TYPE
K45MW	12	22K	SO	C	FC	SA	E
K45M - Kendo 45M Wet	12" - 128" 4" increments	22K - 2200 K 24K - 2400 K 27K - 2700 K 29K - 2900 K 30K - 3000 K 35K - 3500 K 41K - 4100 K	SO - Standard HO - High VHO - Very High	C - Clear F - Frosted 13 - 13° Beveled	FC - Fixed clip NC - No clip	SA - Silver BK - Black BZ - Bronze WH - White BK, BZ, WH finishes will have an upcharge and require longer lead times!	E - End B - Back 1 - 72" wire leads 1X2 - 72" wire leads at both ends 2 - 72" wire leads at one end and quick connect at other 3 - Single quick connect 4 - Dual quick connect

FIXTURE TYPE S4A TO BE MOUNTED IN ARCHITECTURAL SIDEWALK CURB, FACING THE GROUND AT AN ANGLE OR 45 DEGREES. CURB WILL HAVE A LIP TO CONCEAL FIXTURE FROM DIRECT VIEW.



Photometric Report (Type C)

Filename: K45MW-48-30K-SO-C-XX-WH-X-X_IESNA2002.IES
 [TEST] N/A
 [TESTLAB] Engineering Lab
 [ISSUEDATE] 18-FEB-2002
 [MANUFAC] LUMINII
 [LUMCAT] K45MW-48-30K-SO-C-XX-WH-X-X
 [LUMINAIRE] Kendo 45M Wet
 [LAMPCAT] LL36-24K BIN: WA5a 6/20
 [LAMP] 3528 LED

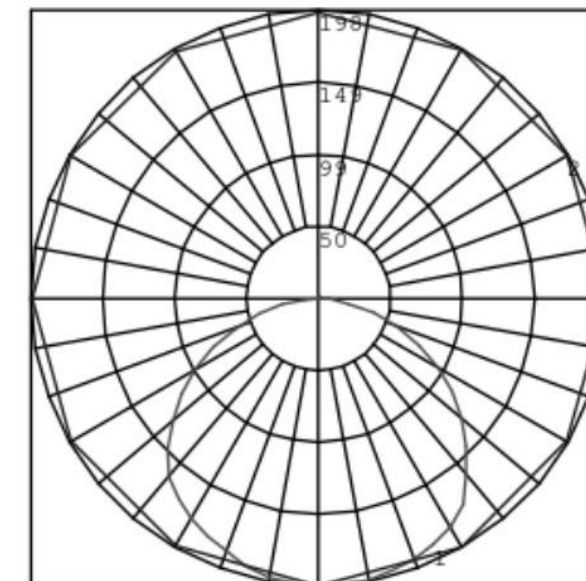
Maximum Candela = 198.06 at 0 H 5 V

Classification:

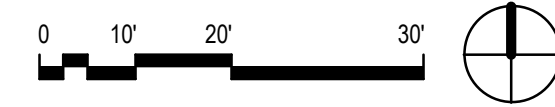
Road Classification: Type II, Very Short, N.A. (deprecated)
 Upward Wast Light Ratio: 0.01
 Luminaire Efficacy Rating (LER): 47
 Maximum UGR: 21.6
 Indoor Classification: Direct
 BUG Rating : B0-U1-G0

Polar Candela Curves:

Vertical Plane Through:
 1) 0 - 180 Horizontal
 Horizontal Cone Through:
 2) 5 Vertical



AGI32/Photometric Report Generator - Copyright 1999-2021 by Lighting Analysts, Inc. Calculations based on published IES Methods and recommendations, values rounded for display purposes. Results derived from content of manufacturer's photometric file.

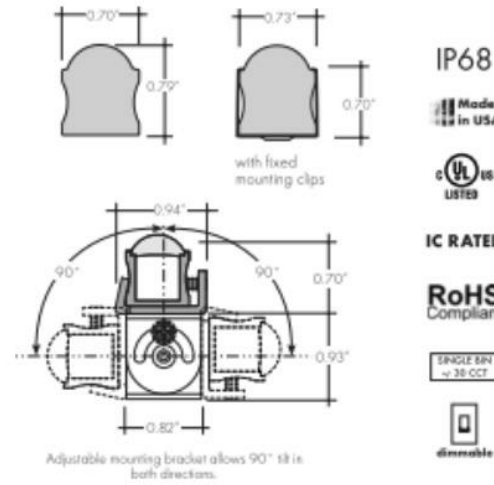
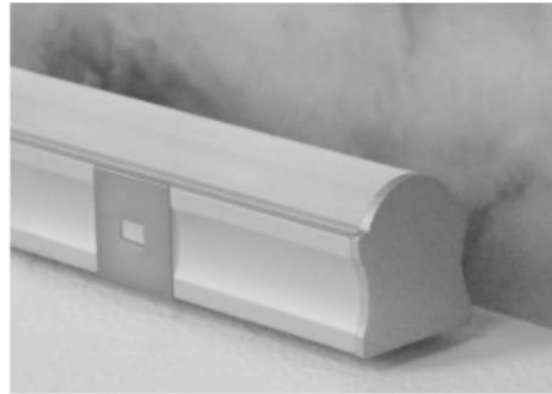


TYPE
S4A



Kendo M Wet Graze | Linear Illumination System

Extruded aluminum linear grazing system, Kendo M Wet Graze features a 11° lightly frosted lens. Available in sections up to 116" long, Kendo M Wet Graze is suitable for highlighting textured surfaces, stone walls or for edge lighting. Class 2 listed for wet location installations.



Finish options



Technical information

Output Options	Output type		CCT INFO/LUMEN MULTIPLIER				TM-30-15
	HO (LL54)	VHO (LL72)	Color temperature	Multiplier (reference=4000K)	CRI	R _f	
Lumens at 4000K	262 lum/ft	355 lum/ft	2700K	0.73	97	95	101
Average power consumption at 4'	5.2 W/ft	6.5 W/ft	3000K	0.81	91	89	98
Maximum system length <i>Achievable via lead through fixture wiring</i>	26'	18'	3500K	0.86	94	90	102
Operating Voltage	24VDC	24VDC	4000K	1.00	94	86	96
Operating Environment Temperature	-30C to 50C	-30C to 50C					

Ordering code

MODEL	LENGTH	CCT	OUTPUT	LENS	MOUNTING	FINISH	POWER FEED
KMWG	12	27K	HO	11	A	SA	F1
KMWG - Kendo M Wet Graze	12"-116" 4" increments	27K - 2700K 30K - 3000K 35K - 3500K 40K - 4000K	HO - High VHO - Very High	11° - Semi-frosted	A - Adjustable F - Fixed	SA - Silver BK - Black BZ - Bronze WH - White	F1 - 72" wire leads F2 - 72" wire leads at one end and quick connect at other F3 - Single quick connect F4 - Dual quick connect

BK, BZ, WH finishes will have an upcharge and require longer lead times

REV3.508272020

page 1 of 7

www.luminii.com tel: 224-333-6033

FIXTURE TYPE S4A TO BE MOUNTED IN AN ARCHITECTURAL PLANTER, FACING THE WALL TO PROVIDE GRAZING ILLUMINATION. PLANTER DETAIL TO PROVIDE A LIP ABOVE THE FIXTURE TO PROVIDE SHIELDING FROM DIRECT VIEW.

TYPE
S4A



Photometric Report (Type C)

Filename: Kendo M Graze - Graze Lens - VHO - LL72-30K-YF8 - 4ft.IES
 [TEST] N/A
 [TESTLAB] Engineering Lab
 [ISSUE DATE] 18-FEB-2002
 [MANUFAC] Luminii
 [LUMCAT] KMG-48-30K-VHO-11-WH-XX-XX
 [LUMINAIRE] 11 degree Semi-frosted Lens
 [LAMP CAT] KMG-48-30K-VHO-11-WH-XX-XX
 [LAMP] LL72-30K-YF8

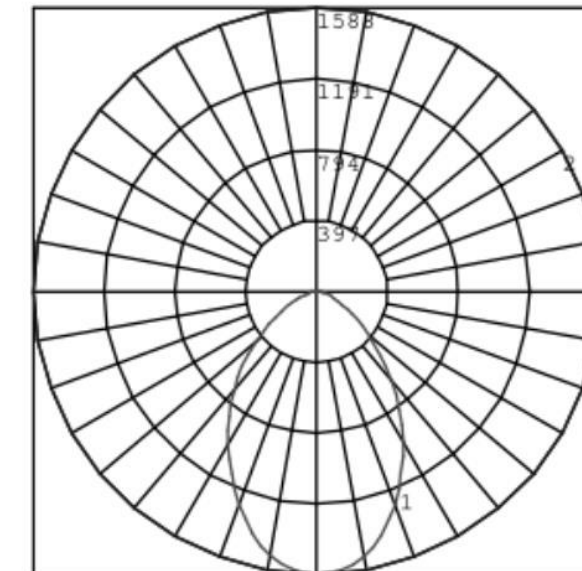
Maximum Candela = 1587.59 at 0 H 0 V

Classification:

Road Classification: Type I, Very Short, Cutoff (deprecated)
 Upward Wast Light Ratio: 0.04
 Luminaire Efficacy Rating (LER): 56
 Maximum UGR: 25.6
 Indoor Classification: Direct
 BUG Rating : B1-U2-G1

Polar Candela Curves:

Vertical Plane Through:
 1) 0 - 180 Horizontal
 Horizontal Cone Through:
 2) 0 Vertical



AGI32/Photometric Report Generator - Copyright 1999-2021 by Lighting Analysts, Inc.
 Calculations based on published IES Methods and recommendations, values rounded for display purposes.
 Results derived from content of manufacturers photometric file.



**TYPE
S5A and
S5B**

**TYPE
S5A and
S5B**

VENUS TV IP67 Static White/Tunable White/Static Color/RGB
LED LINEAR™ lighting solutions

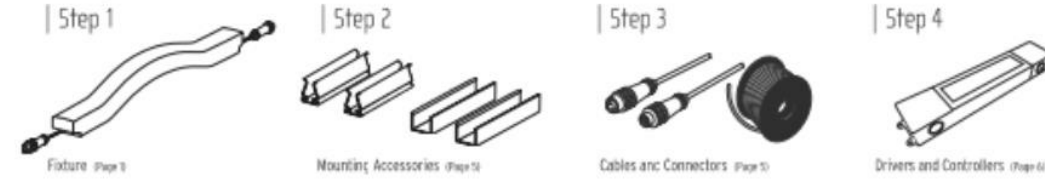


IP67 flexible dot free linear LED light line with a vertical bending flexible light line 0.63" x 0.59" (16 x 15) cross section. Optal polycarbonate encapsulation offering a premium water proof sealing, UV resistance, chemical stability and protection against abrasion. Vertical bending only, with radius of 5.9", excellent solution for indoor/outdoor organic facade accent lighting or decorative applications requiring IP67 ingress. Freely configurable in length and delivered with 3M self adhesive tape on rear side and 4.33' long cable at both end of the luminaire with IP67 male/female connectors. Light source assembled (Reel to Reel (R2R)) production process supporting LED Linear™ "J" Away™ thin flexible circuit board technology. Outstanding lifetime of >60,000 hrs (L80/B10) (>30,000 hrs for RGB). Embeds high quality Japanese LEDs with 3 step MacAdams (SDCM3) binning centered on target CCT (One Bin Only) with an extended photometric code of Wuxu/339 ensuring an exceptional color consistency over the rated lifetime. Premium color rendition with a CRI of 80. Consistent light intensity all along the strip length. Fully dimmable. Engineered and produced in Germany.

Project name: _____
 Fixture type: _____ Phase: _____
 Specifier: _____ Date: _____

24 Year
 Select Models Only
 ETL Listed
 Integrated Circuit Driver
 Reel-to-Reel R2R Production
 TjAway™ Thermal Management
 One Bin Only
 L/P Lifetime
 6 Digit Photometric Code
 IES LM79/LM80

Ordering Process



Fixture Order Code

Family	Model/Lumen package*	CCT Venus/Pharos	CCT Skylla	Custom length**	Variant	Ingress
VarioLED Flex					TV	IP67
	VENUS - Low Output 100 lm/ft	820-2400K, 80 CRI	820-2400K, 80 CRI	L _{max} : 213.5 mm (8-3/8")	Vertical Items	
	PHAROS - Mid Output 191 lm/ft	825-3000K, 80 CRI	825-3000K, 80 CRI	Venus Pharos L _{max} : 5026 mm (16' 5-7/8") Skylla L _{max} : 4026 mm (13' 2-1/2")		
	SKYLLA - High Output 307 lm/ft	927-3400K, 90 CRI	827-3500K, 80 CRI	Increment: 62.5 mm (2-1/2")		
	VENUS IQ WHITE - Tunable White 189 lm/ft 2600K-4900K	-	-	L _{max} : 213.5 mm (8-1/2") L _{max} : 5026 mm (16' 5-7/8") Increment: 62.5 mm (2-1/2")		
	VENUS RED - 32 lm/ft, 625nm	-	-	L _{max} : 213.5 mm (8-1/2")		
	VENUS GREEN - 153 lm/ft, 529nm	-	-	L _{max} : 5026 mm (16' 5-7/8")		
	VENUS BLUE - 39 lm/ft, 472nm	-	-	Increment: 125 mm (4-15/16")		
	VENUS RGB - 99 lm/ft 622(R) 532(G) 466(B)	-	-	L _{max} : 213.5 mm (8-1/2") L _{max} : 5026 mm (16' 5-7/8") Increment: 62.5 mm (2-1/2")		

* Lumen Values represent 3000K (W825). ** Custom Length should be specified in millimeters (mm). See page 3 and 4 for all available lengths.

Color temperature	CCT (Delivered)†	Low Output		Mid Output		High Output	
		Lumen/ft	W/ft*	Lumen/ft	W/ft*	Lumen/ft	W/ft*
W820	2,400 K	87	1.8	145	3.1	234	4.6
W822	2,700 K	100	1.8	167	3.1	267	4.6
W825	3,000 K	100	1.8	191	3.1	307	4.6
W827/W927	3,500 K/3,400 K	103	1.8	170	3.1	325	4.6
W830/W930	3,900 K/3,800 K	103	1.8	173	3.1	343	4.6
W835/W935	4,600 K/4,400 K	106	1.8	179	3.1	362	4.6
W840/W940	5,500 K/5,600 K	109	1.8	182	3.1	371	4.6

† CCT tolerances occur in IP67 products due to the encapsulation of the fixture.
 * The given data are typical values. Due to tolerances of the production process and the electrical components, values for light output and electrical power can vary up to 10%.

LED Linear™ USA, Inc. | 68155: 13/04/2020 1/66



Photometric Report (Type C)

Filename: VarioLED_Flex_Venus_IQ White_TV_IP68_2200K.ies
 [TEST] 12V1014a
 [TESTLAB] LED Linear Lab
 [ISSUEDATE] 20141006
 [MANUFAC] LED Linear GmbH
 [LUMINAIRE] VarioLED_Flex_Venus_IQ White_TV_IP67_2200K

Maximum Candela = 5.92815 at 15 H 3 V

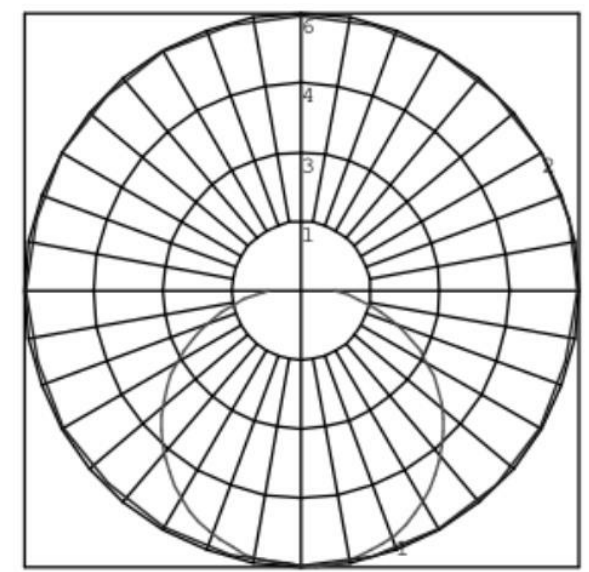
Classification:

Road Classification: Type VS, Very Short, Semi-Cutoff (deprecated)
 Luminaire Efficacy Rating (LER): 41
 Maximum UGR: 23.9
 Indoor Classification: Direct
 BUG Rating : B2-U0-G0

Polar Candela Curves:

Vertical Plane Through:
 1) 15 - 195 Horizontal

Horizontal Cone Through:
 2) 3 Vertical



AGI32/Photometric Report Generator - Copyright 1999-2021 by Lighting Analysts, Inc.
 Calculations based on published IES Methods and recommendations, values rounded for display purposes.
 Results derived from content of manufacturers photometric file.

FIXTURE TYPE S5A IS TO BE MOUNTED IN PLANTER UNDERNEATH THE PLANTER LIP, FACING IN TOWARD THE PLANTINGS, TO CONCEAL FIXTURE FROM VIEW.
 FIXTURE TYPE S5B IS TO BE MOUNTED IN BOTTOM OF STAIR TREAD, FACING DOWN, WITH FIXTURE CONCEALED FROM DIRECT VIEW.



i2 | ATIS™

The ATIS™ is an IP67 miniature LED step light available with either snap-in or screw-mount installation. The asymmetric beam angle and wide lateral throw provide even illumination across step and path surfaces.



▶ FEATURES

- 1% low-level flicker free dimming. Requires LightLink dimming module.
- Active Thermal Management monitors fixture case temperature and discreetly dims fixture upon signs of possible overheating.
- Down-angled asymmetric beam with washboard eliminates glare.
- Flexible mounting conditions: snap & screw mounts.
- Actively managed ANSI sub-binning to ensure accurate and consistent color matching for each fixture.

▶ PHYSICAL

- ADC12 aluminum alloy body & mil-spec powder-coated stainless steel trim bezel.
- Weight: 0.15lbs
- Protection Rating: IP67
- Warranty: 3 Years

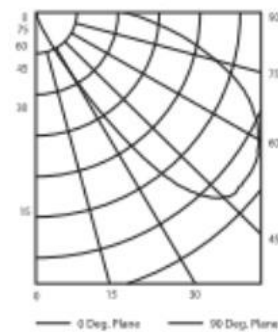
▶ ELECTRICAL SPECIFICATIONS

Input Voltage	24VDC
Input Power	1.5 Watts Typ
LED Driver	E05PW 75W
Temperature	-20°C to 40°C
Dimming	1% via 0 - 10 VDC (Use LL-205)
Life	60,000 hours to L70



▶ PERFORMANCE

POLAR PLOT Asymmetric Beam Angle



28.5 Delivered Lumens
All results are according to IESNA LM-79-2008: Approved method for the electrical and photometric testing of solid-state lighting.

▶ PART CODE BUILDER

Product	Color	Mounting	Bezel Style	Finish
ATIS				
	20K - 2000K	SP - Snap Mount	AC - Architectural Circle	PC - Polished Chrome
	22K - 2200K	SW - Screw Mount	AO - Architectural Oval	PG - Polished Gold
	27K - 2700K		AR - Architectural Rectangle	BN - Brushed Nickel*
	30K - 3000K		AS - Architectural Square	BZ - Bronze
	35K - 3500K		SC - Soft Circle	MW - Matte White
	40K - 4000K		SO - Soft Oval	MB - Matte Black
	50K - 5000K		SR - Soft Rectangle	
	57K - 5700K		SS - Soft Square	
	65K - 6500K			
	GRN - Green			
	BLU - Blue			
	RED - Red			
	ABR - Amber			

* To Purchase Bezel or Engine Separately, Contact Factory

* For Soft Bezel Only



Integrated Illumination Systems, Inc.
355 Rankin Lake Road
Hartford, CT 06183 USA

tel: +1 860.567.0700
sales@i2systems.com

Product information is subject to change without notice.
All brand names and product names are trademarks of i2systems.
© 2010 i2systems. All Rights Reserved.

www.i2systems.com
RevF
Page 1 of 4



Photometric Report (Type C)

Filename: vertical post light LTL28794.ies
[TEST] 28794
[TESTLAB] Luminaire Testing Laboratory, Inc
[ISSUEDATE] 3/2/2012
[MANUFAC] I2 Systems
[LUMCAT] LED STEP MINI-E1150
[LUMINAIRE] Formed stainless steel and aluminum housing, frosted plastic enclosure above black ribbed lower reflector
[LAMP] Two white LEDs

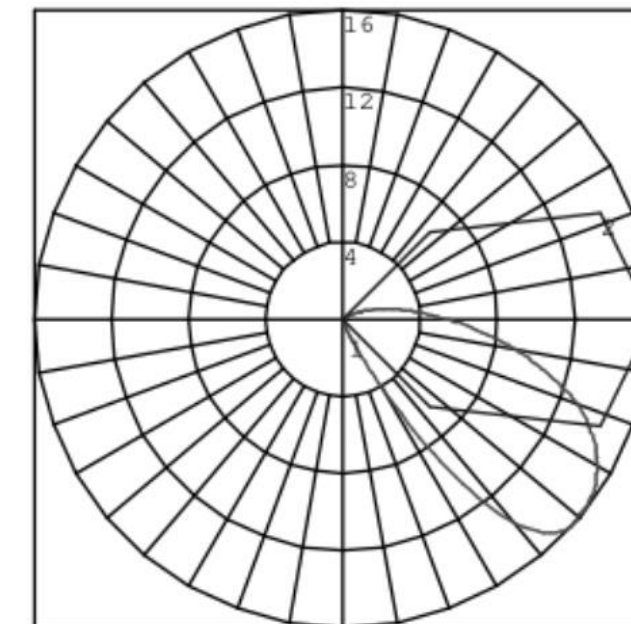
Maximum Candela = 16.47 at 0 H 47.5 V

Classification:

Road Classification: Type IV, Very Short, N.A. (deprecated)
Upward Wast Light Ratio: 0.09
Luminaire Efficacy Rating (LER): 11
Maximum UGR: 23.7
Indoor Classification: Semi-Direct
BUG Rating : B0-U1-G0

Polar Candela Curves:

- Vertical Plane Through:
1) 0 - 180 Horizontal
- Horizontal Cone Through:
2) 47.5 Vertical



AGI32/Photometric Report Generator - Copyright 1999-2011 by Lighting Analysts, Inc.
Calculations based on published IES Methods and recommendations, values rounded for display purposes.
Results derived from content of manufacturers photometric file.



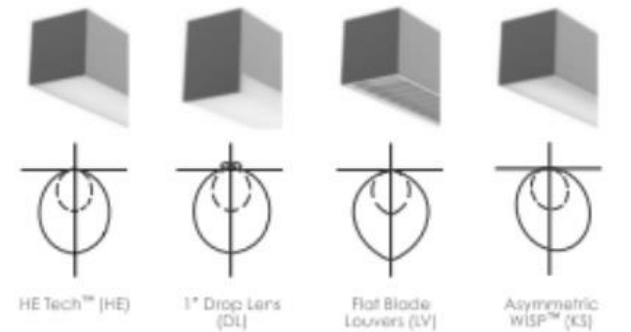


PERFORMANCE

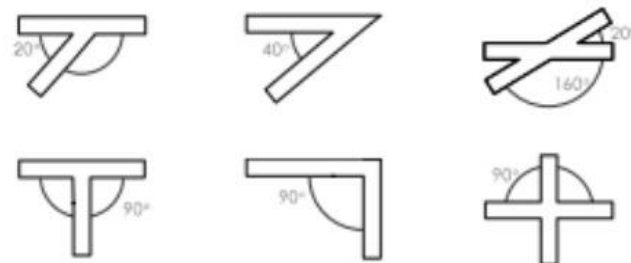
OUTPUT	OPTICS	NOMINAL		
		LUMEN OUTPUT	INPUT WATTS	EFFICACY
LH <small>(High)</small>	HE Tech™	1114 lm/ft	9.8 W/ft	114 lm/W
	1" Drop Lens	926 lm/ft	9.8 W/ft	96 lm/W
LS <small>(Standard)</small>	HE Tech™	575 lm/ft	4.8 W/ft	120 lm/W
	1" Drop Lens	478 lm/ft	4.8 W/ft	102 lm/W

Based on static white 354 HE lens fixture. For the complete photometric data of the fixture refer to page 4.

DOWNLIGHT LENS OPTIONS



MULTIPLE INTERSECTIONS AND CORNERS OPTIONS



ALD3ST

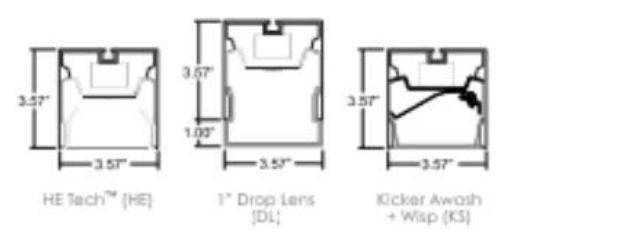
Direct - Suspended - Surface - Wall

ALD3ST combines clean lines with high performance direct distribution, for a functional and aesthetically pleasing slim profile.

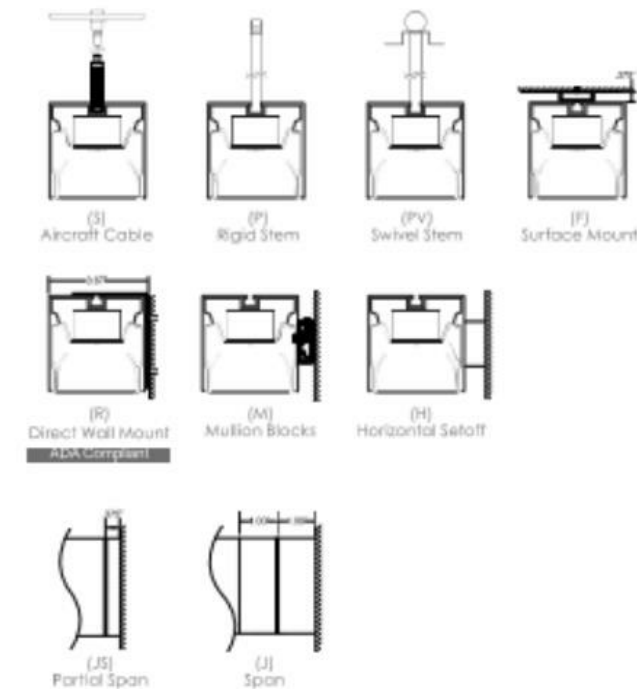
Replacement of ACCOLADE - D3

- Unique patterns with fully lit corners and intersections possible with Design Assist.
- Individual units and continuous runs in exact lengths.
- Adjustable mounting options for ease of installation.
- Custom color options.
- Quickship nominal options.

DIMENSIONS



MOUNTING OPTIONS



PERFORMANCE AT 3500K

OUTPUT	OPTICS	NOMINAL		
		LUMEN OUTPUT	INPUT WATTS	EFFICACY
LH <small>(High)</small>	HE Tech™	1114 lm/ft	9.8 W/ft	114 lm/W
	Asymmetric Wisp	972 lm/ft	9.8 W/ft	99 lm/W
	1" Drop Lens	926 lm/ft	9.8 W/ft	95 lm/W
	Flat Blade Louver*	990 lm/ft	9.8 W/ft	101 lm/W
LS <small>(Standard)</small>	HE Tech™	575 lm/ft	4.8 W/ft	119 lm/W
	Asymmetric Wisp	469 lm/ft	4.8 W/ft	98 lm/W
	1" Drop Lens	478 lm/ft	4.8 W/ft	100 lm/W
	Flat Blade Louver*	511 lm/ft	4.8 W/ft	106 lm/W

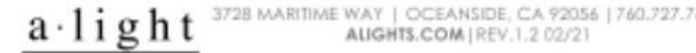
Custom-tuned output and CCT from 25K to 100K or high output. Please contact factory for custom-tuned output and wattage. For the complete photometric data of the fixture and fixture white CCT, go to page 4. *Flat Blade Louver calculated using the aluminum finish.

ALD3ST

ALD3ST	LENGTH OR PATTERN TYPE	OUTPUT	LED CCT	VOLTAGE	DIRECT OPTICS	MOUNTING
ALD3ST	Nominal length* 4 Feet Length**	LH High output LS Standard output C Custom output†	27 2700K 30 3000K 35 3500K 40 4000K TW Tunable White (27K to 50K)† DW Dim-to-warm**	U 120V-277V 3 347V	HE HE Tech™ KS Asymmetric WISP™ DL 1" Drop Lens** LV Flat Blade Louvers** PFW Polycarbonate Flush WISP™	S Aircraft Cable* P Rigid Stem** PV Swivel Stem** R Direct Wall Mount M Mullion Blocks*** H Horizontal Setoff Bracket**** F Surface Mount***** JS Partial Span J Full Span

FINISH	DIMMING	EMERGENCY	SENSORS	OPTIONS
T Titanium W White B Black O Other*	D Standard 0-10V dimming* D1 HiLume Ecosystems 1% (DALI) D2 ELV 5% dimming** D3 DMX 0.1% dim-to-dark (EidoLED) D4 DALI dim-to-off (EidoLED) NAIR nLight @AIR (dim-to-off) NWIR nLight @Wired (dim-to-off) DO Dimming - Other***	EC Emergency - circuited* E Emergency - battery**	OC Occupancy Sensor - Ceiling PC Photocell / Daylight Sensor - Ceiling OF Occupancy Sensor - Fixture PF Photocell / Daylight Sensor - Fixture OPC Occupancy / Daylight Sensor - Ceiling OPF Occupancy / Daylight Sensor - Fixture	MRL 2" LED Downlight Module* M Multi-Circuit R Right End cap Feed L Left End cap Feed N New York City Code K Natarium Application*** Q Wet Location**** CRI 90+***** MRI MRI

*Specify RAL#
**Not available on fixtures w/ length greater than 4 feet. If entire fixture is on the circuit, no need to cut-out EC or part number.
***Factory installed emergency battery pack. Specify desired quantity of battery. Not available on fixtures w/ length. Not available for 347V. See technical data for more information.
****Sensor will be matched to dimming input.





Photometric Report (Type C)

Filename: ALD3ST4LS40UKS DOWN ASYM.ies
[TEST]
ALD3ST4LS40UKS
[TESTLAB] a.light
[ISSUEDATE] 10/25/2017
[MANUFAC] a.light

Maximum Candela = 701.76398804903 at 0 H 15 V

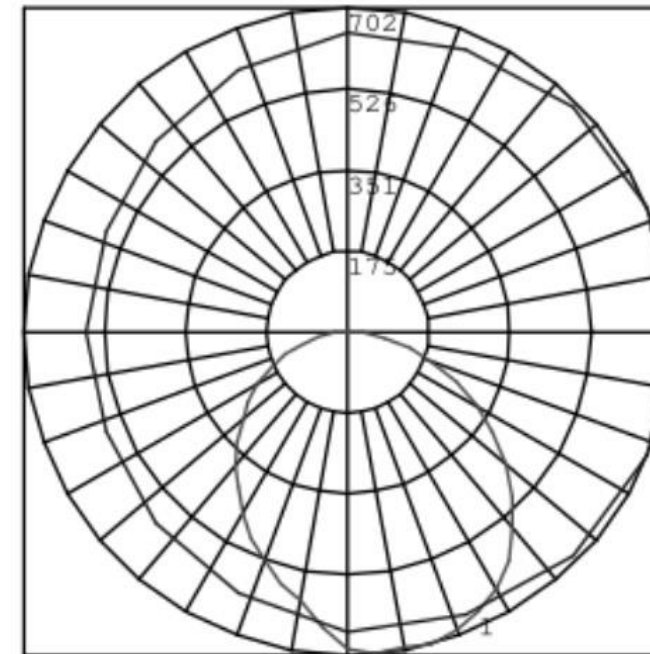
Classification:

Road Classification: Type II, Very Short, N.A. (deprecated)
Upward Wast Light Ratio: 0.00
Luminaire Efficacy Rating (LER): 97
Maximum UGR: 27.6
Indoor Classification: Direct
BUG Rating : B1-U1-G1

Polar Candela Curves:

Vertical Plane Through:
1) 0 - 180 Horizontal

Horizontal Cone Through:
2) 15 Vertical



AGI32/Photometric Report Generator - Copyright 1999-2021 by Lighting Analysts, Inc.
Calculations based on published IES Methods and recommendations, values rounded for display purposes.
Results derived from content of manufacturers photometric file.

