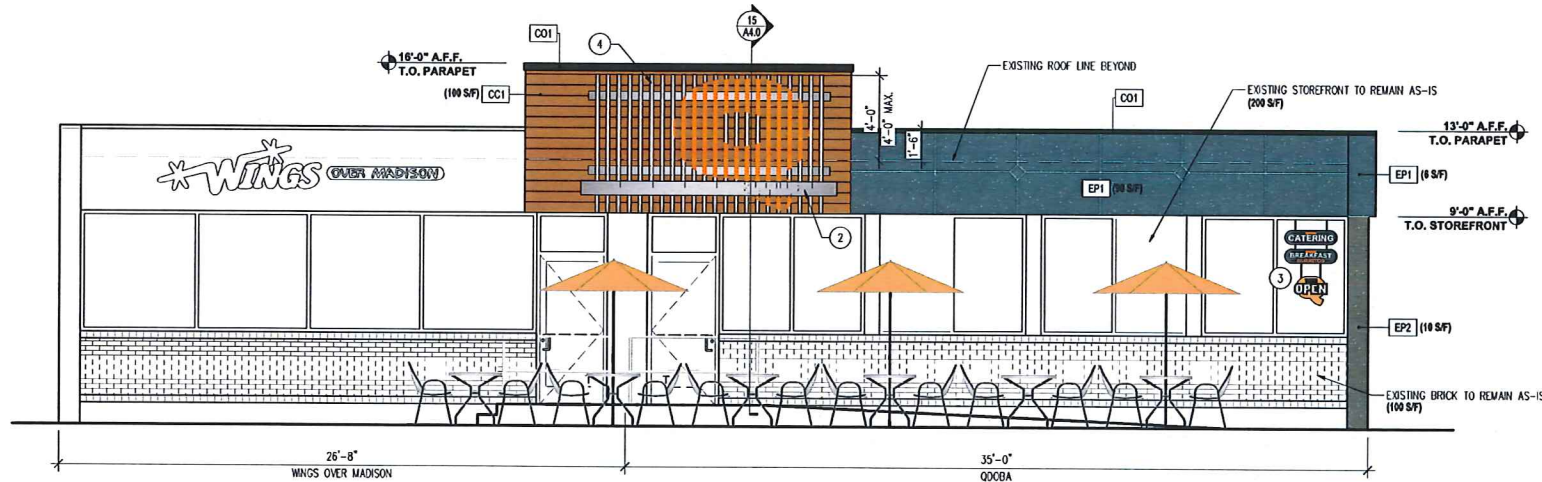


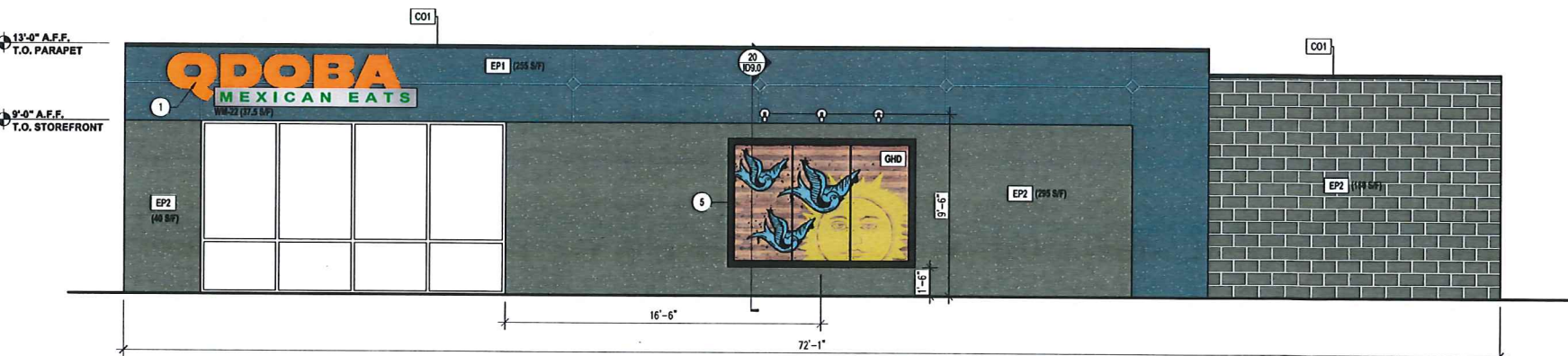
1 LED LIGHTBAR PHOTOMETRIC

Scale: 1/4" = 1'-0"



11 FRONT EXTERIOR ELEVATION (SOUTH)

Scale: 1/4" = 1'-0"



16 SIDE EXTERIOR ELEVATION (EAST)

Scale: 1/4" = 1'-0"

EXTERIOR PAINT

| ITEM | PRODUCT | MANUFACTURER | DESCRIPTION | COLOR | SUPPLIED BY | INSTALLED BY |
|------|---------|----------------|--------------------------|-------------|-------------|--------------|
| EP1 | PAINT | BENJAMIN MOORE | #151 NEW PROVIDENCE NAVY | QDOBA NAVY | GC | GC |
| EP2 | PAINT | BENJAMIN MOORE | #152 VINTAGE VOGUE | QDOBA GREEN | GC | GC |

PARAPET COPING

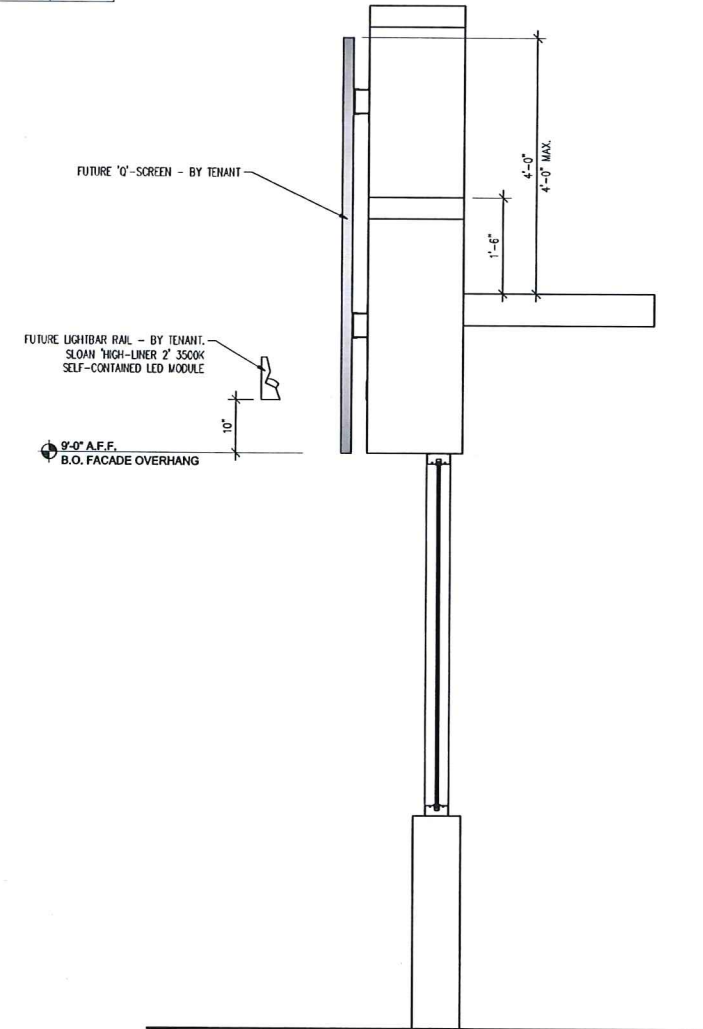
| ITEM | PRODUCT | MANUFACTURER | DESCRIPTION | COLOR | SUPPLIED BY | INSTALLED BY |
|------|----------|--------------|-------------------------|----------|-------------|--------------|
| CO1 | ALUMINUM | PAC CLAD | CONTINUOUS CLEAT COPING | CHARCOAL | GC | GC |

EXTERIOR WALL CLADDING

| ITEM | PRODUCT | MANUFACTURER | DESCRIPTION | COLOR | SUPPLIED BY | INSTALLED BY |
|------|--------------------|--------------|---|-------|-------------|--------------|
| CC1 | COMPOSITE CLADDING | FIBERON | RAIN SCREEN - INSTALL PER MANUFACTURER RECOMMENDATION | IPC | GC | GC |

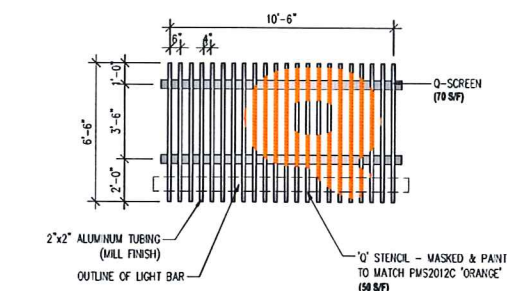
KEY NOTES

- 1 SIGNAGE SHOWN IS FOR SCHEMATIC USE ONLY - SIGNAGE SUBMITTED UNDER SEPARATE PERMIT
- 2 O-LIGHT RAIL - PROVIDED BY VENDOR / INSTALLED BY VENDOR
- 3 SUSPENDED WINDOW SIGN(S) SHOWN ARE FOR SCHEMATIC USE ONLY. COORDINATE WITH CM AND SIGNAGE SHOP DRAWINGS, TYP.
- 4 'O' GRAPHIC AND 'O' SCREEN BY VENDOR - TALLEST POINT NOT TO EXCEED PARAPET BEYOND - SIGNAGE SUBMITTED UNDER SEPARATE PERMIT
- 5 STREET-ART SCREEN - VENDOR PROVIDED / CONTRACTOR INSTALLED - REFER TO VENDOR SHOP DWGS.



15 WALL SECTION @ Q-SCREEN

Scale: 3/4" = 1'-0"



20 Q-SCREEN DETAIL

Scale: 1/4" = 1'-0"



QDOBA
3330 BALBOA AVE.
SAN DIEGO, CA 92133

© ALL DRAWINGS AND WRITTEN MATERIAL CONTAINED HEREIN ARE THE PROPERTY OF THE ARCHITECT. THEY MAY NOT BE REPRODUCED, COPIED, REVISED, OR DISCLOSED IN ANY MANNER WITHOUT WRITTEN AUTHORIZATION FROM THE ARCHITECT.

LINGLE DESIGN GROUP INC
1518 W. MAIN ST.
LENA, IL 61828
815.359.5135
1860 W. EVANS AVE.
ENLEWOOD, CO 80110
303.974.5873
WWW.LINGLEDESIGN.COM



DATES

RELEASE: -

P.M. UPDATES: -

SUBMITTAL DATE:

1: 01/31/2019

2: -

3: -

BID: -

CONSTRUCTION: -

REVISIONS

△ 03/18/2019 - CORP/CITY

△

△

△

△

△

△

△

These drawings are intended to assist the architect in preparing site-related construction documents provided that such use does not conflict with rules governing contracts in the state where the work is to be performed. They will need to be modified to comply with all applicable codes and site-specific conditions.

SITE INFORMATION

QME #: 002061

ADDRESS:
2741 University Ave
Madison, WI 53705

DRAWN BY: KB

PROJECT #: 18-0356

SCALE: 1/4" = 1'-0"

EXTERIOR ELEVATIONS

A4.0