

Symbol	Qty	Tag	Label	Description	Lum. Watts	Lum. Lumens	LLF
B1	2		US Light Measurement FLINDT 31IN		15	579	0.900
D1	20		LDN4 30 15 LO4AR LD	4 INCH DOWNLIGHT 3000K	17.5	1336	0.900
F1	2		MST-DC-X-MPS30-30-XX-XX-INV	MST-DC-X-MPS30-30-XX-XX-INV	48	4443	0.900
S1	13		L730-2 W30SH-N-ELB-WS-MA	ADJUSTABLE EXTERIOR SPOT (12 DEGREE)	2.5	91	0.900
ST	13		F003740FCSL20414K4L	RECESSED WALL STEPLIGHT	13.348	398	0.900
W1	8		WDGE1 LED P1 30K 80CRI VF	WDGE1 LED P1 30K 80CRI VF	10.0002	1161	0.900
W2	1		WDGE2 LED P4 30K 80CRI VF	FULL CUTOFF FORWARD THROW WALL LIGHT	34.96	4248	0.900
C	1		FC LIGHTING COVELINE UPLIGHT		N.A.	N.A.	0.500

NUMBER OF GROUND LEVEL PARKING STALLS PROVIDED = 45

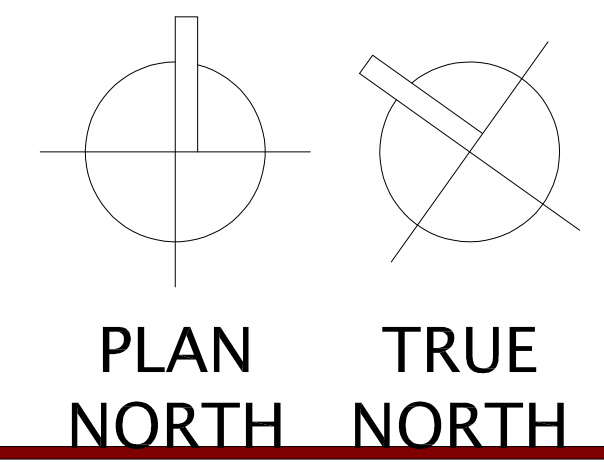
NUMBER OF GROUND LEVEL FLOOR BIKE STALLS PROVIDED = 46
 NUMBER OF LOWER LEVEL WALL-MOUNT BIKE SPACES PROVIDED = 6

TOTAL LOWER LEVEL BIKE SPACES = 52

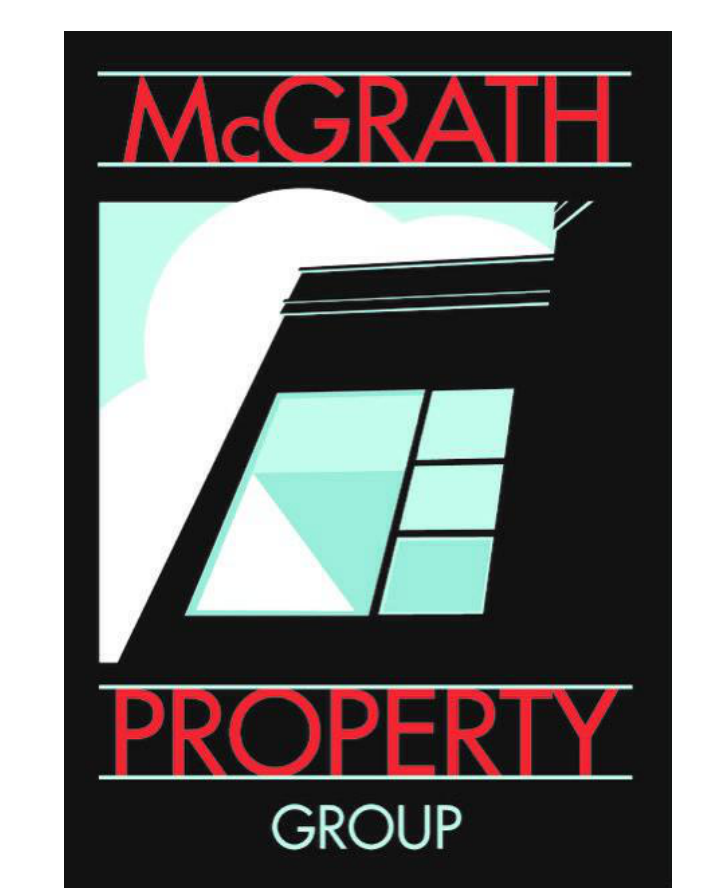
OLIN AVENUE MIXED-USE DEVELOPMENT – LAND USE APPLICATION

LIGHTING PLANS – GROUND FLOOR / LEVEL P1

MAY 19, 2021
 3/32"=1' @ 30x42



JLA PROJECT NUMBER: 20-1014



OLIN AVENUE MIXED-USE DEVELOPMENT

LAND USE APPLICATION

PROGRESS DOCUMENTS
 These documents reflect progress and intent and may be subject to change, including additional detail. These are not final construction documents and should not be used for final bidding or construction-related purposes.

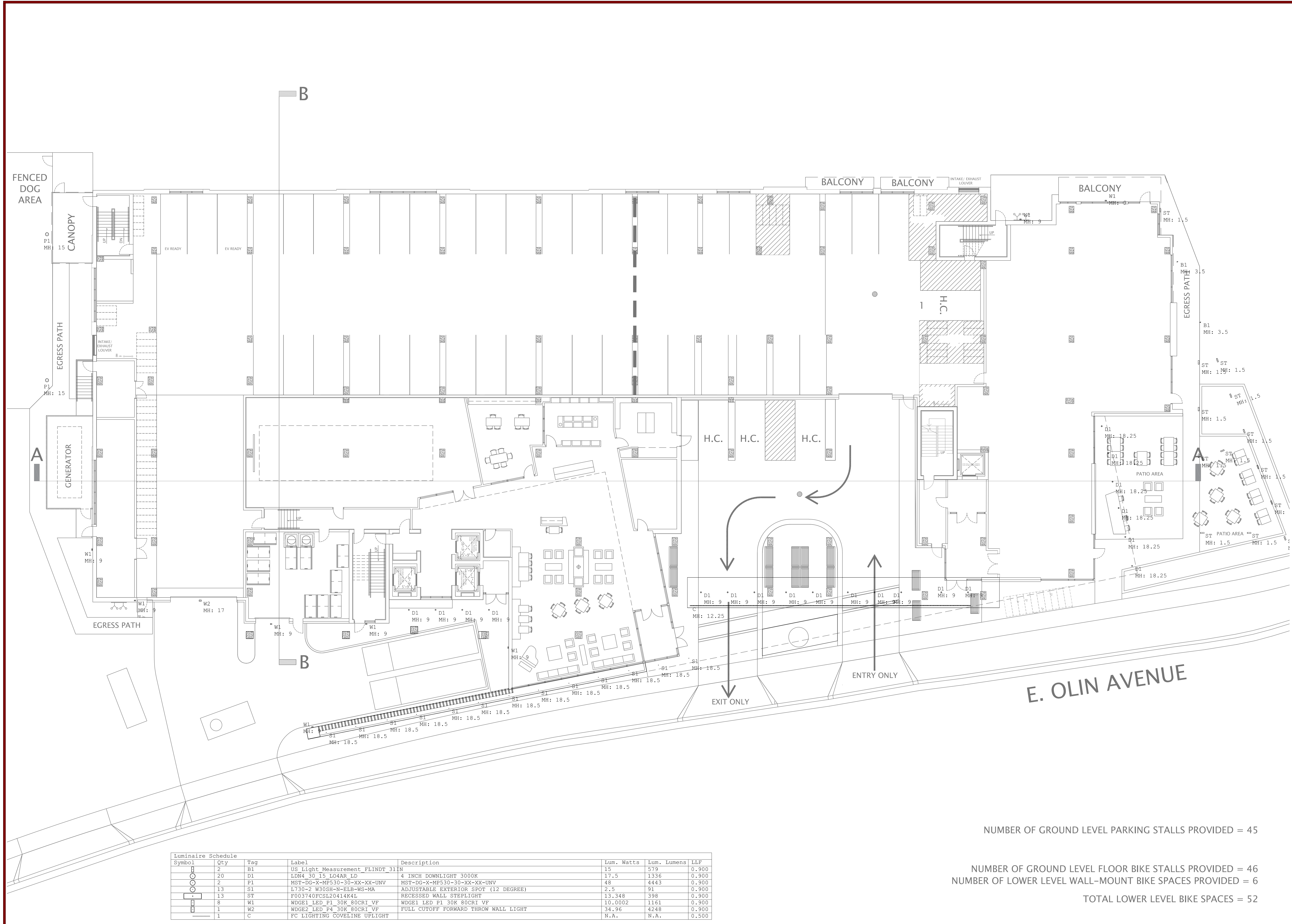
DATE OF ISSUANCE MAY 19, 2021

REVISION SCHEDULE		
Mark	Description	Date

SHEET TITLE
 SITE LIGHTING PLAN - ENTRY LEVEL

SHEET NUMBER

SL-E100



Symbol	Qty	Tag	Label	Description	Lum. Watts	Lum. Lumens	LLF
B1	2		US Light Measurement FLINDT 31IN		15	579	0.900
D1	20		LDN4 30 15 LOAR LD	4 INCH DOWNLIGHT 3000K	17.5	1336	0.900
F1	2		MST-DC-X-MPS30-30-XX-XX-INV	MST-DC-X-MPS30-30-XX-XX-INV	48	4443	0.900
S1	13		L730-2 W30SH-N-ELB-WS-MA	ADJUSTABLE EXTERIOR SPOT (12 DEGREE)	2.5	91	0.900
ST	13		F003740FCSL20414K4L	RECESSED WALL STEPLIGHT	13.348	398	0.900
W1	8		WDGE1 LED P1 30K 80CRI VF	WDGE1 LED P1 30K 80CRI VF	10.0002	1161	0.900
W2	1		WDGE2 LED P4 30K 80CRI VF	FULL CUTOFF FORWARD THROW WALL LIGHT	34.96	4248	0.900
C	1		FC LIGHTING COVELINE UPLIGHT		N.A.	N.A.	0.500

NUMBER OF GROUND LEVEL PARKING STALLS PROVIDED = 45

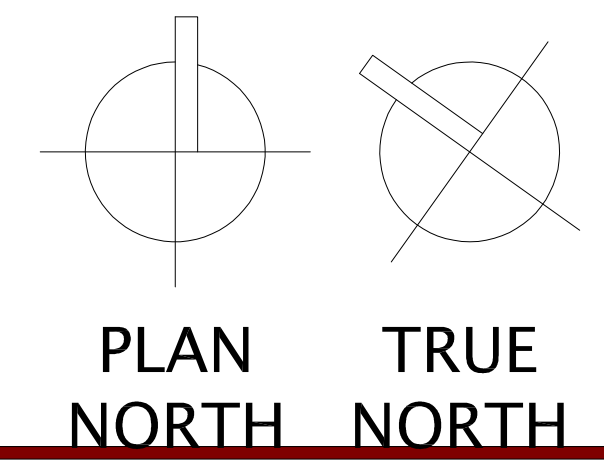
NUMBER OF GROUND LEVEL FLOOR BIKE STALLS PROVIDED = 46
 NUMBER OF LOWER LEVEL WALL-MOUNT BIKE SPACES PROVIDED = 6

TOTAL LOWER LEVEL BIKE SPACES = 52

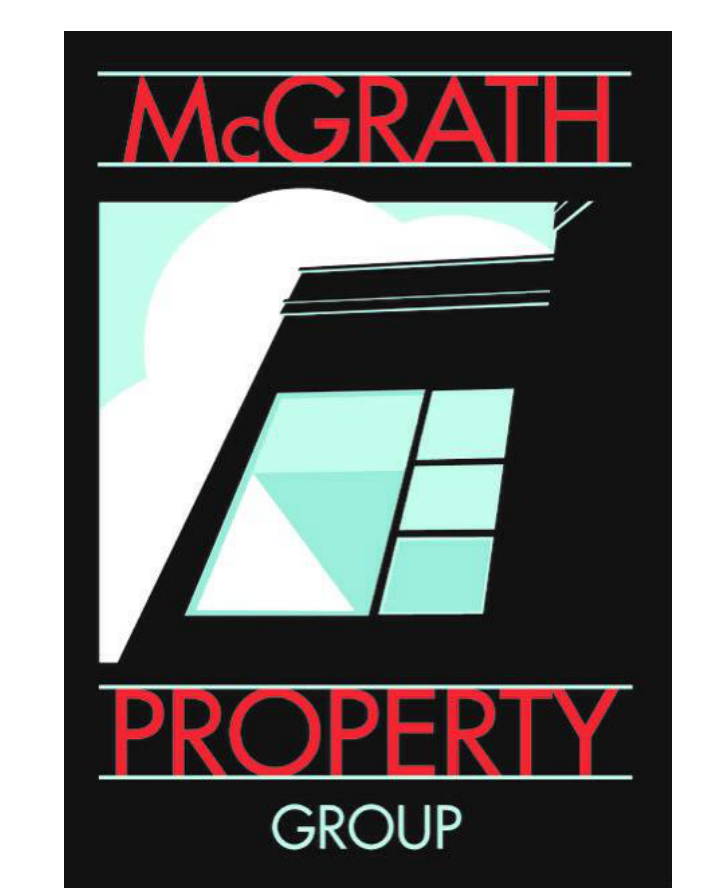
OLIN AVENUE MIXED-USE DEVELOPMENT – LAND USE APPLICATION

LIGHTING PLANS – GROUND FLOOR / LEVEL P1

MAY 19, 2021
 3/32"=1' @ 30x42



JLA PROJECT NUMBER: 20-1014



OLIN AVENUE MIXED-USE DEVELOPMENT

LAND USE APPLICATION

PROGRESS DOCUMENTS
 These documents reflect progress and intent and may be subject to change, including additional detail. These are not final construction documents and should not be used for final bidding or construction-related purposes.

DATE OF ISSUANCE MAY 19, 2021

REVISION SCHEDULE

Mark	Description	Date

SHEET TITLE
 SITE LIGHTING (PHOTOMETRICS PLAN)

SHEET NUMBER
SL-E101

5/19/2021 11:12:46 AM



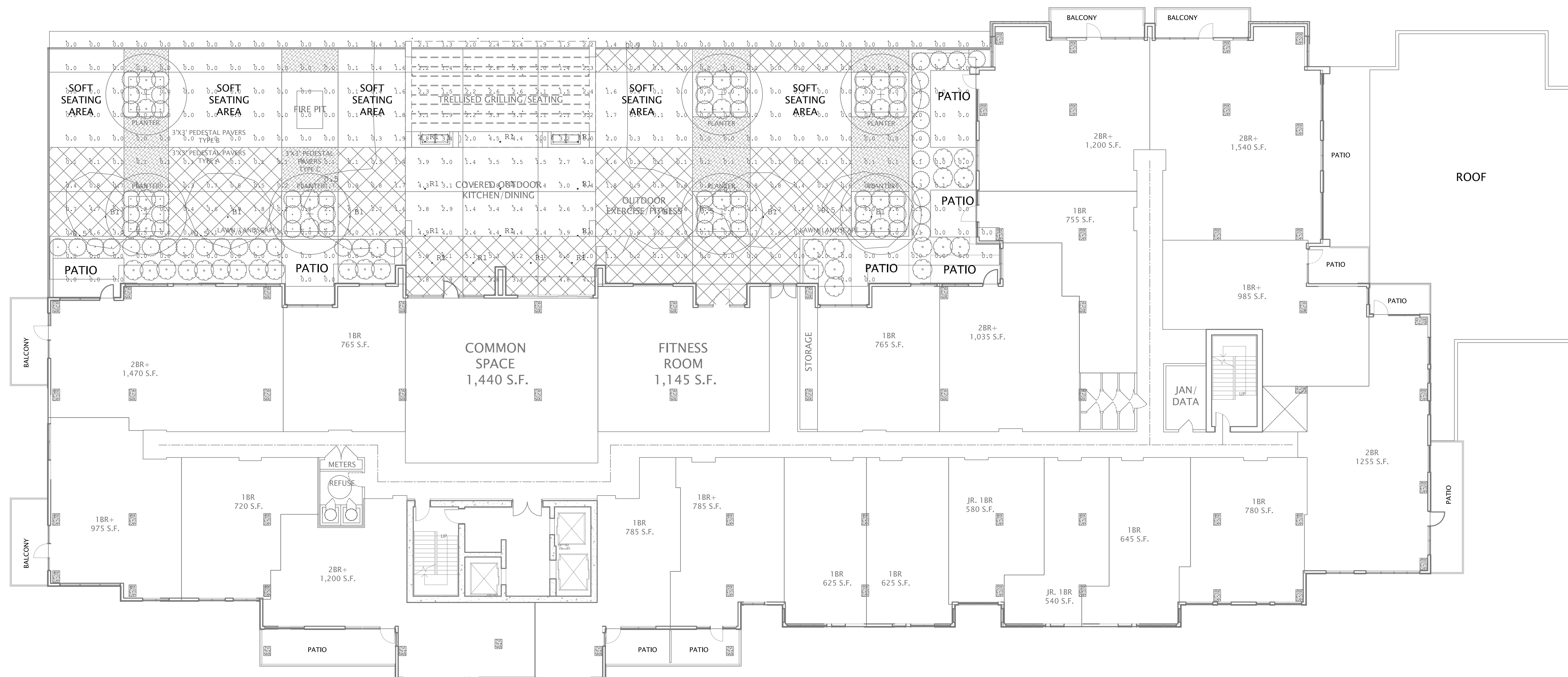
JLA
ARCHITECTS

MADISON : MILWAUKEE
jla-ap.com

JLA PROJECT NUMBER: 20-1014



OLIN AVENUE
MIXED-USE
DEVELOPMENT

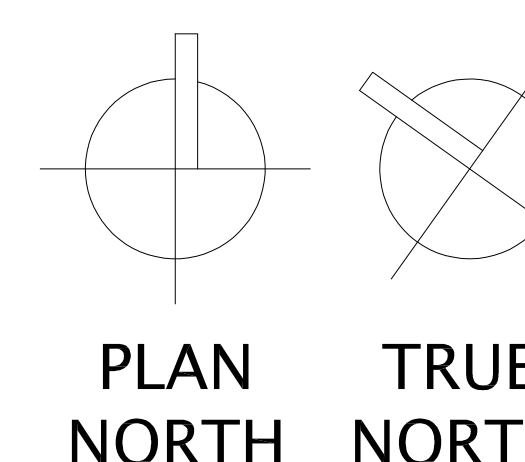


Symbol	Qty	Tag	Label	Description	Lum. Lumens	LLF	Lum. Watts
□	13	R1	RA2X-7F-90WH - 3000K	RA2-7F-90WH	530	0.900	6.87
□	6	B1	US Light Measurement FLINDT 31IN		579	0.900	15
○	12		L723-W27HWF-MA	L723-W27HWF-MA	224	0.900	4

OLIN AVENUE MIXED-USE DEVELOPMENT – LAND USE APPLICATION

PHOTOMETRICS – FLOOR 5

MAY 19, 2021
3/32"=1' @ 30x42



LAND USE APPLICATION

PROGRESS DOCUMENTS

These documents reflect progress and intent and may be subject to change, including additional detail. These are not final construction documents and should not be used for final bidding or construction-related purposes.

DATE OF ISSUANCE MAY 19, 2021

Mark	Description	Date

SHEET TITLE

SITE LIGHTING &
PHOTOMETRICS PLAN -
TERRACE LEVEL

SHEET NUMBER

SL-E102



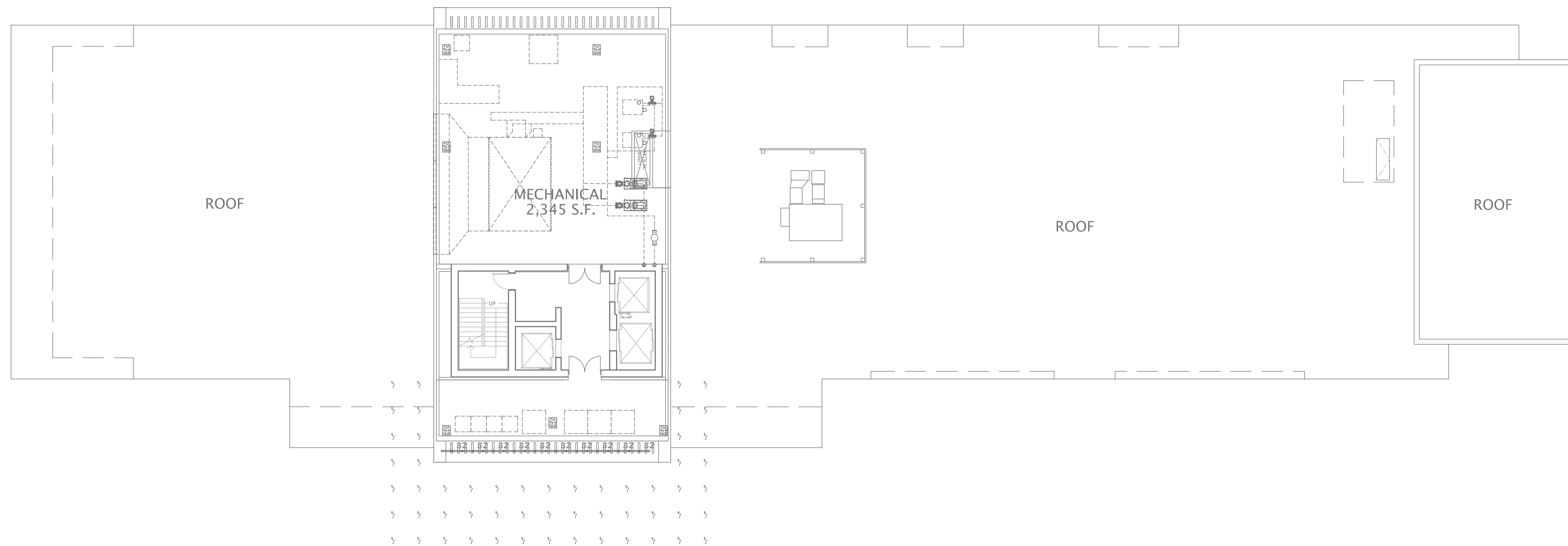
JLA
ARCHITECTS

MADISON : MILWAUKEE
jla-ap.com

JLA PROJECT NUMBER: 20-1014



OLIN AVENUE
MIXED-USE
DEVELOPMENT



LAND USE APPLICATION

PROGRESS DOCUMENTS

These documents reflect progress and intent and may be subject to change, including additional detail. These are not final construction documents and should not be used for final bidding or construction-related purposes.

DATE OF ISSUANCE MAY 19, 2021

REVISION SCHEDULE

Mark	Description	Date

SHEET TITLE

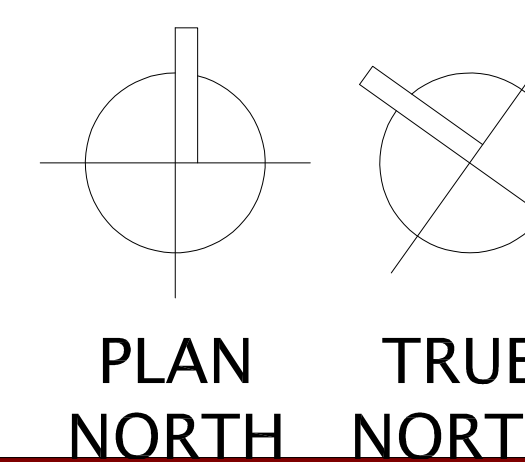
SITE LIGHTING &
PHOTOMETRICS PLAN -
MECH. PENTHOUSE LEVEL

SHEET NUMBER

SL-E103

OLIN AVENUE MIXED-USE DEVELOPMENT – LAND USE APPLICATION
PHOTOMETRICS PLAN – FLOOR 18 (MECHANICAL PENTHOUSE)

MAY 19, 2021
3/32"=1' @ 30x42

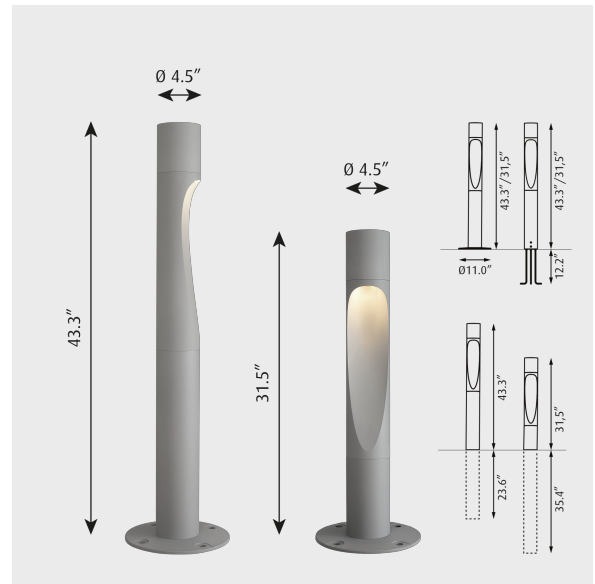


Flindt Bollard

Project name:

Project type:

Notes:





Design

Christian Flindt

Product description

Beautifully crafted slender post with a carved surface that is gently illuminated. Top section conceals downward facing LEDs that are positioned for wide distribution. Two horizontal connection lines underline the three parts of the bollard. A facet increases the visibility of the connection lines. Available in two heights, 43.3 IN and 31.5 IN. Available in three different mounting methods: with an 11 inch base plate and visible anchor bolts, with internally hidden anchor bolts, or direct burial in soil or gravel. Part of a family.

Variant options

Dimension	Color	Mounting	Light source	Lumen	Voltage frequency
31.5 IN	 Corten color	POST W/ANCHORAGE UNIT	15W LED/3000K	536	120-277V/60HZ
43.3 IN	 Natural paint aluminum	POST W/BASE PLATE	15W LED/4000K	548	
		POST W/DIRECT BURIAL		578	
				591	

Specification notes

a. Direct burial mounting only available with 43.3" size.

Light description

The luminaire provides a non-glaring wide characteristic asymmetrical and functional illumination. The design of the cut-out creates a reflector part which is gradually illuminated to emphasize the depth in the luminaire. The cut-out reflector and precise location of the LED's provides an wing-shaped light pattern on the ground. A white highly reflective material around the LED's ensure a wide distribution of light and high efficacy. The cut-out reflector part can be adjusted $\pm 10^\circ$ after installation to fine tune alignment of several luminaires and light distribution. Standard CCT in 3000K or 4000K, controlled by electronic dimmable driver.

Mounting

Top section housing holds driver and LED's connected with quick-disconnect plug for easy servicing. Terminal block is located in the reflector section. Thru wiring approved. Supplied with IP68 (water-tight) glands to seal mid-section for pass thru wiring. Mounted to a concrete base with (4) anchor bolts on a bolt circle of 8.9 inches.

Information

Electrical:
System Wattage: 15W
LED Wattage: 14W
Delivered lumens: 536-591 lm
Efficacy: 35.7-39.4 lm/W
Certifications:
cULus, Wet Location
Protection class IP65
IK class 10
BUG Rating: B0-U2-G1
Controllability: 0-10V Dimming
Min.-Max. Ambient Temp: -40°C to $+70^\circ\text{C}$
Color Rendering: Ra \geq 80

Other functions

Alternative mounting options include an 11" base plate, a hidden anchor base or for direct burial. LED in 2700K or 3500K. Amber LED available for sea turtle nesting areas. Custom finishes. Custom pole heights. Alternative dimming controls, including wireless systems.

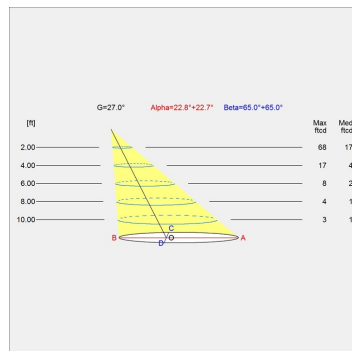
Voltage

120-277V/60HZ

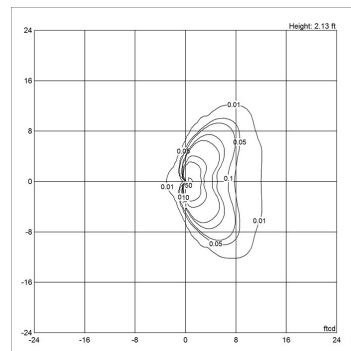
Light distribution diagrams

For the full data set on all variants, see louispoulsen.com.

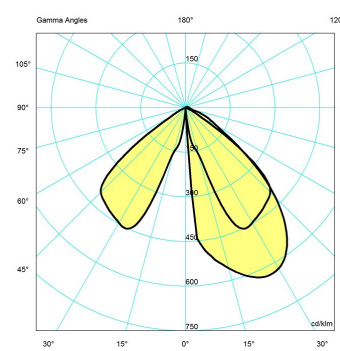
Cartesian



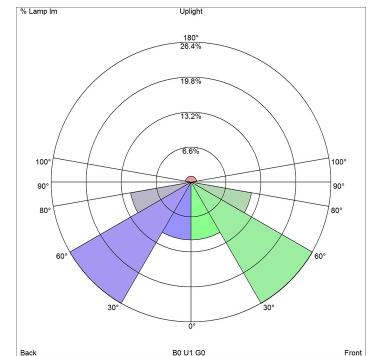
Isolux








Polar



Bug



Variant options

Dimension	Color	Mounting	Light source	Lumen	Voltage frequency	Variant number
43.3 IN	 Natural paint aluminum	POST W/ANCHORAGE UNIT	15W LED/3000K	591	120-277V/60HZ	10000139074
43.3 IN	 Natural paint aluminum	POST W/BASE PLATE	15W LED/3000K	578	120-277V/60HZ	10000126945
43.3 IN	 Natural paint aluminum	POST W/BASE PLATE	15W LED/4000K	591	120-277V/60HZ	10000126946
43.3 IN	 Natural paint aluminum	POST W/DIRECT BURIAL	15W LED/3000K	578	120-277V/60HZ	10000126947
43.3 IN	 Natural paint aluminum	POST W/DIRECT BURIAL	15W LED/4000K	591	120-277V/60HZ	10000126948
43.3 IN	 Corten color	POST W/BASE PLATE	15W LED/3000K	536	120-277V/60HZ	10000135834
43.3 IN	 Corten color	POST W/DIRECT BURIAL	15W LED/3000K	536	120-277V/60HZ	10000135835
43.3 IN	 Corten color	POST W/BASE PLATE	15W LED/4000K	548	120-277V/60HZ	10000135836
43.3 IN	 Corten color	POST W/DIRECT BURIAL	15W LED/4000K	548	120-277V/60HZ	10000135837
31.5 IN	 Corten color	POST W/BASE PLATE	15W LED/3000K	536	120-277V/60HZ	10000139024
31.5 IN	 Natural paint aluminum	POST W/BASE PLATE	15W LED/3000K	578	120-277V/60HZ	10000139067
31.5 IN	 Corten color	POST W/ANCHORAGE UNIT	15W LED/3000K	536	120-277V/60HZ	10000139066
31.5 IN	 Natural paint aluminum	POST W/ANCHORAGE UNIT	15W LED/3000K	578	120-277V/60HZ	10000139068
31.5 IN	 Corten color	POST W/BASE PLATE	15W LED/4000K	548	120-277V/60HZ	10000139069
31.5 IN	 Natural paint aluminum	POST W/BASE PLATE	15W LED/4000K	591	120-277V/60HZ	10000139071
31.5 IN	 Corten color	POST W/ANCHORAGE UNIT	15W LED/4000K	548	120-277V/60HZ	10000139070
31.5 IN	 Natural paint aluminum	POST W/ANCHORAGE UNIT	15W LED/4000K	591	120-277V/60HZ	10000139072
43.3 IN	 Corten color	POST W/ANCHORAGE UNIT	15W LED/3000K	548	120-277V/60HZ	10000139073
43.3 IN	 Corten color	POST W/ANCHORAGE UNIT	15W LED/4000K	548	120-277V/60HZ	10000139075
43.3 IN	 Natural paint aluminum	POST W/ANCHORAGE UNIT	15W LED/4000K	591	120-277V/60HZ	10000139076

eCOVELINE WET 1.5



eCOVELINE WET 1.5 is similar in use to the other Wet Cove series but with a lower lumen output for a lower placement above the ground, approximately 10-15 feet high. **ECVLWET 1.5** comes in 1 ft, 4 ft or 6 ft nominal lengths and 27K, 3K, 35K, 4K or 5K color temperatures. The housing is constructed of extruded aluminum with tooled end caps and is IP66 rated for interior & exterior use. Features IP68 line voltage Plug N' Play connectors for easy installation. Power supply is integral, no remote driver required. Universal orientation fixture; up, down, horizontal or vertical positioning with 9 optic choices. Flicker free dimmable to 5% full brightness with ELV trailing edge dimming.



SPECIFICATIONS

PHYSICAL	
beam spread	30° x 80° 120°
LEDs per foot	14
dimensions	12.25" x 1.77" x 1.9" 47" x 1.77" x 1.9" 70.25" x 1.77" x 1.9"
weight	1.3 lbs
housing	extruded aluminum housing with moulded end caps
lens	clear, tempered glass with a frosted edge
mounting	standard: surface mount bracket with (+/- 45° from center) optional: ADBW2-90 full 180° rotation (+/- 90° from center)
ingress protection	IP66 rated for wet, exterior location (Connectors IP68)
vibration resistance	compliant with 3G ANSI C136.31
fixture connections	Twist-lock IP68 rated, CCC

PERFORMANCE

color temperature	2700K	3000K	3500K	4000K	5000K
lumen output (per foot)	276 lm	288 lm	295 lm	313 lm	326 lm
lifetime	> 70,000 hours / L70 or better				
color consistency	3 SDCM / standard: 87 CRI optional: 90 CRI				
operating temperature	-13°F to 104°F (-25°C to 40°C)				
junction temperature	69°C @ T ^a 25°C				
warranty	5-Year limited warranty (refer to website for details)				

ELECTRICAL

input voltage	Universal 120–277V AC
power supply	integral Class II, electronic high-power factor > 94% @120V
certification	ETL / cETL listed, CEC Title 24 - JA8 Compliant
standards	UL1598/CSA C22.2 No. 250.0; IESLM-79/LM-80; FCC Part 15
power consumption	3.5W/ft @ 120V
dimming	ELV (reverse phase/trailing edge) ≤ 5%

Due to continuous development and improvements, specifications are subject to change without notice. Solid State Luminaires reserves the right to change lab test details or specifications without notice. Product use certifies agreement to Solid State Luminaires terms and conditions.

eCOVELINE WET 1.5



Ordering Information

ORDERING INFORMATION

ECVLWET1.5							
MODEL	LENGTH	CCT	CRI	OPTICS	OPTIONS		
ECVLWET1.5 eCOVELINE WET 1.5	1 12 in. (305 mm)	WHITE LIGHT	MONO COLOR	CRI80 80 CRI	3080 30°x80° beam	WCL-1	Louvre (Black) - 1 ft.
	4 46.8 in. (1189 mm)	27K 2700K	AMB Amber	CRI90 90 CRI	120 120°x120° beam	WCL-4	Louvre (Black) - 4 ft.
	6 70 in. (1778 mm)	3K 3000K	BLU Blue			WCL-6	Louvre (Black) - 6 ft.
		35K 3500K	LTBLU Light Blue			WCHS-1	Louvre w/House Shield (Black) - 1 ft.
		4K 4000K	RED Red			WCHS-4	Louvre w/House Shield (Black) - 4 ft.
		5K 5000K				WCHS-6	Louvre w/House Shield (Black) - 6 ft.

Accessories (Indicate the quantity needed for each item.) **REQUIRED:** Starter Cable (SC10W2) and Terminator Cap (TCAPW2) for every run. **Maximum Run Length** = 100 feet (120V)

_____ SC10W 10 ft. Starter Connection Cord	_____ EC12W 12 in. Extension Cord	_____ MC-10VELDIM 0-10V ELV Dim Module w/Interior Rated Enclosure (1 module per run)
_____ TCAPW Terminator Cap	_____ EC24W 24 in. Extension Cord	
	_____ EC60W 60 in. Extension Cord	

ADBW2 Included With Fixture

Mounting Accessories (requirements vary for each fixture ordered - see mounting pages for details)

_____ ADBW2-90 90° Adjustable Bracket (Bi-directional)	_____ CA2-6 Cantilever Arm - 6"	_____ LS-6 Landscape Spike - 6"
	_____ CA2-12 Cantilever Arm - 12"	_____ HLS Heavy Duty Landscape Spike
	_____ CA2-18 Cantilever Arm - 18"	

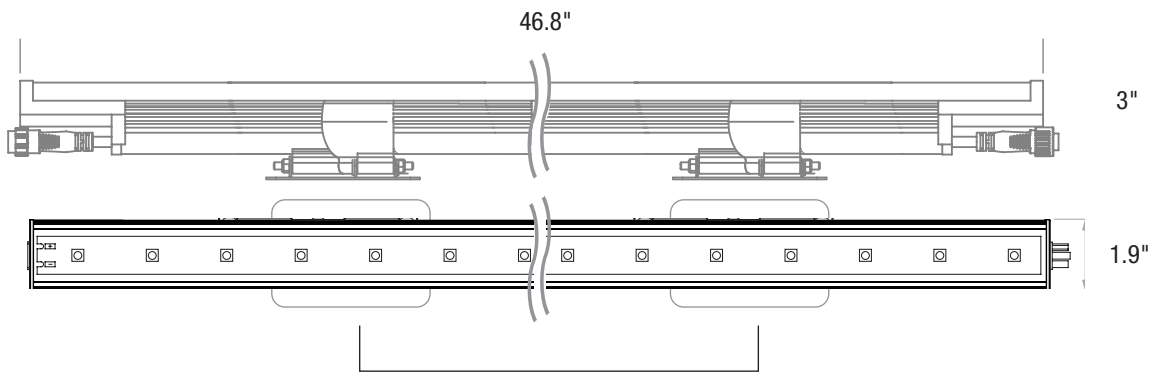
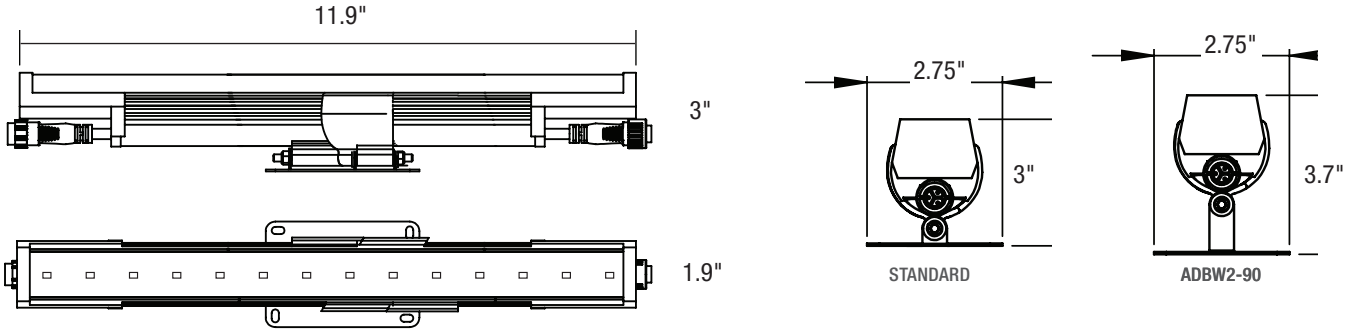
Due to continuous development and improvements, specifications are subject to change without notice. Solid State Luminaires reserves the right to change lab test details or specifications without notice. Product use certifies agreement to Solid State Luminaires terms and conditions.



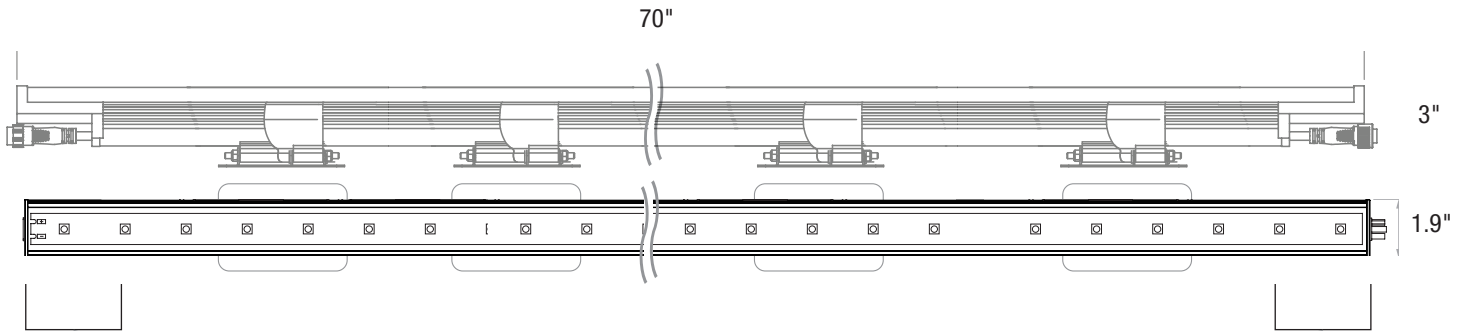
Standard Dimensions

DIMENSIONS WITH STANDARD BRACKET

305 mm [12 in.] / 1189 mm [46.8 in.] / 1778 mm [70 in.]



Optimal spacing for bracket installation is 16" apart.



TO PREVENT VOIDING THE WARRANTY, DO NOT INSTALL BRACKETS WITHIN 2" OF THE ENDS OF FIXTURE.

Due to continuous development and improvements, specifications are subject to change without notice. Solid State Luminaires reserves the right to change lab test details or specifications without notice. Product use certifies agreement to Solid State Luminaires terms and conditions.

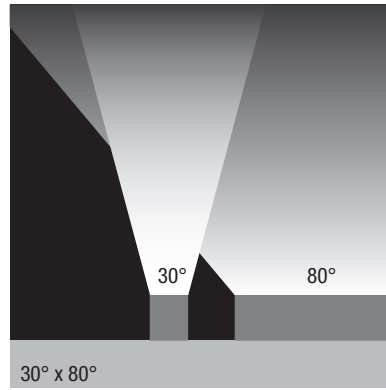
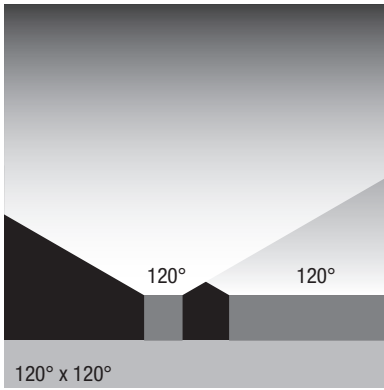
eCOVELINE WET 1.5



Photometry

eCVL WET AVAILABLE OPTICS

FIND IES FILES ON SOLIDSTATELUMINAIRES.COM



PERFORMANCE

DIMMING

Model	Connected					
	Wattage	2700K	3000K	3500K	4000K	5000K
ECVLWET1.5-1	3.5	276	288	295	313	326
ECVLWET1.5-4	14	1104	1152	1180	1252	1304
ECVLWET1.5-6	21	1656	1728	1770	1878	1956

TRIAC, REVERSE PHASE DIMMING

Model	Description
DELV	Lutron Diva Dimmer 300P
SELV	Lutron Skylark Dimmer 153P
SCL	Lutron Skylark Dimmer 300P



DELV

SELV

SCL

Dimmers sold by others.

Due to continuous development and improvements, specifications are subject to change without notice. Solid State Luminaires reserves the right to change lab test details or specifications without notice. Product use certifies agreement to Solid State Luminaires terms and conditions.

 US Commercial Lighting Manufacturer Since 1982

Specification Sheet

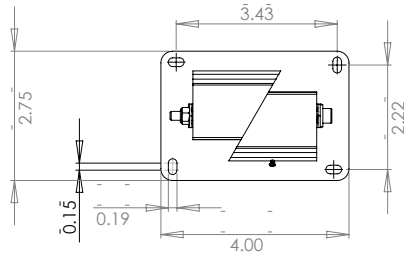
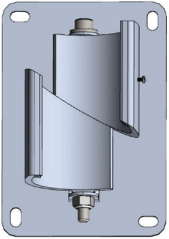


Mounting Options

STANDARD ADJUSTABLE BRACKET REQUIREMENTS

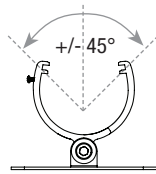
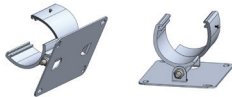
Minimum Bracket Requirement			
ECVLWet-1	1	ECVLWet-4	2
		ECVLWet-6	3

STANDARD ADJUSTABLE BRACKET (ADBW2)



Universal Orientation

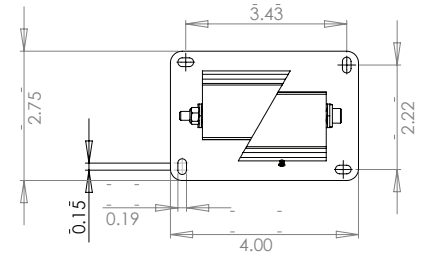
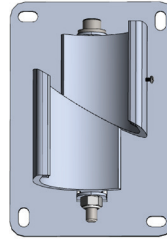
- Mounts to horizontal or vertical surfaces
- Easy installation w/fixture in position
- +/- 45° to surface



90° ADJUSTABLE BRACKET REQUIREMENTS

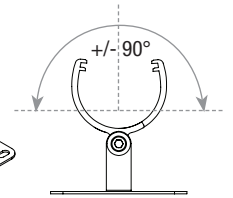
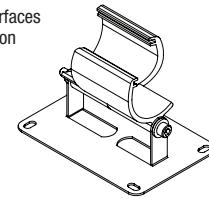
Minimum Bracket Requirement			
ECVLWet-1	1	ECVLWet-4	2
		ECVLWet-6	3

90° ADJUSTABLE BRACKET (ADBW2-90)



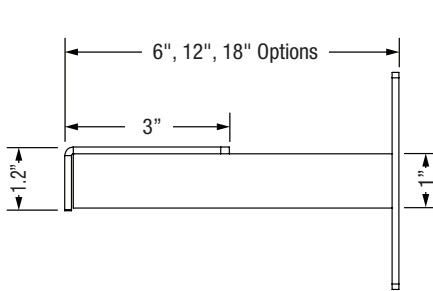
Universal Orientation

- Mounts to horizontal or vertical surfaces
- Easy installation w/fixture in position
- +/- 90° to surface

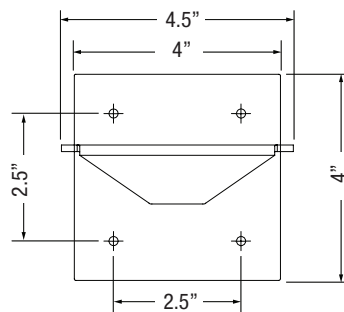


CANTILEVER ARM (CA2)

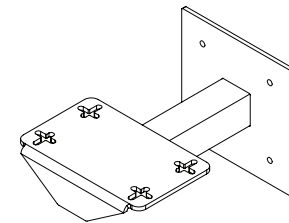
CA2	arm length	Fixture	CA2 Requirement
CA2-6	6"	1-foot	1
CA2-12	12"	4-foot	2
CA2-18	18"		



SIDE VIEW



FRONT VIEW



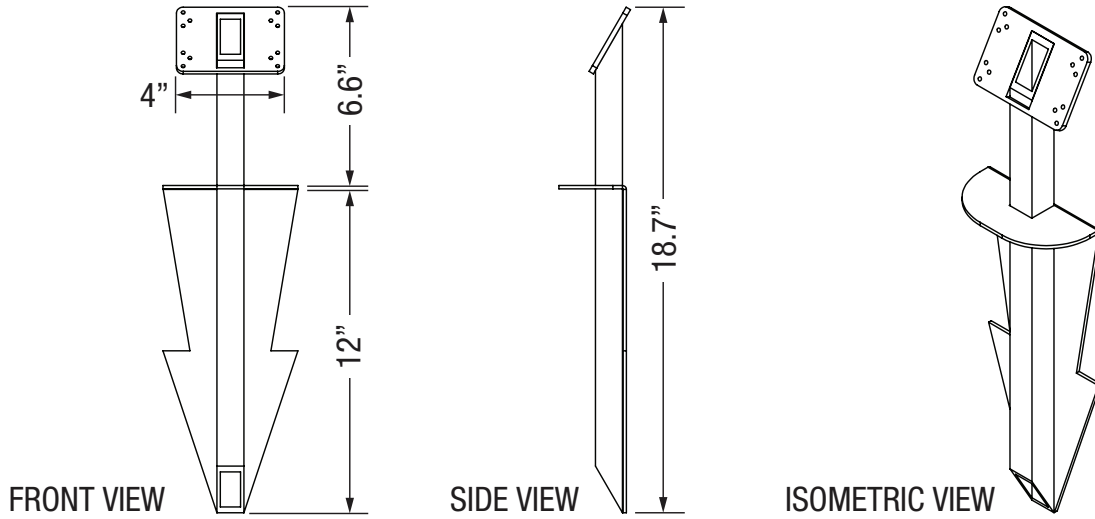
ISOMETRIC VIEW

Due to continuous development and improvements, specifications are subject to change without notice. Solid State Luminaires reserves the right to change lab test details or specifications without notice. Product use certifies agreement to Solid State Luminaires terms and conditions.

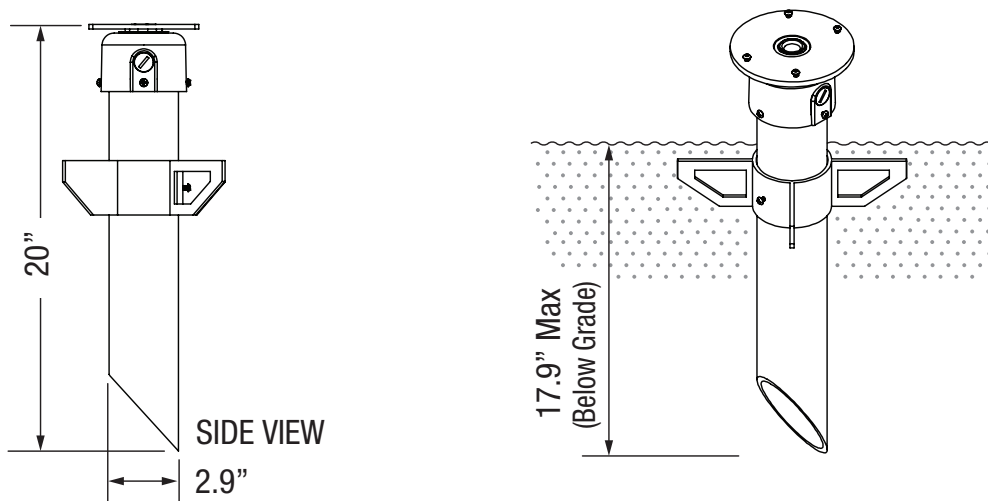


Mounting Option Accessories

LANDSCAPE SPIKE - LS-6



HEAVE DUTY LANDSCAPE SPIKE - HLS

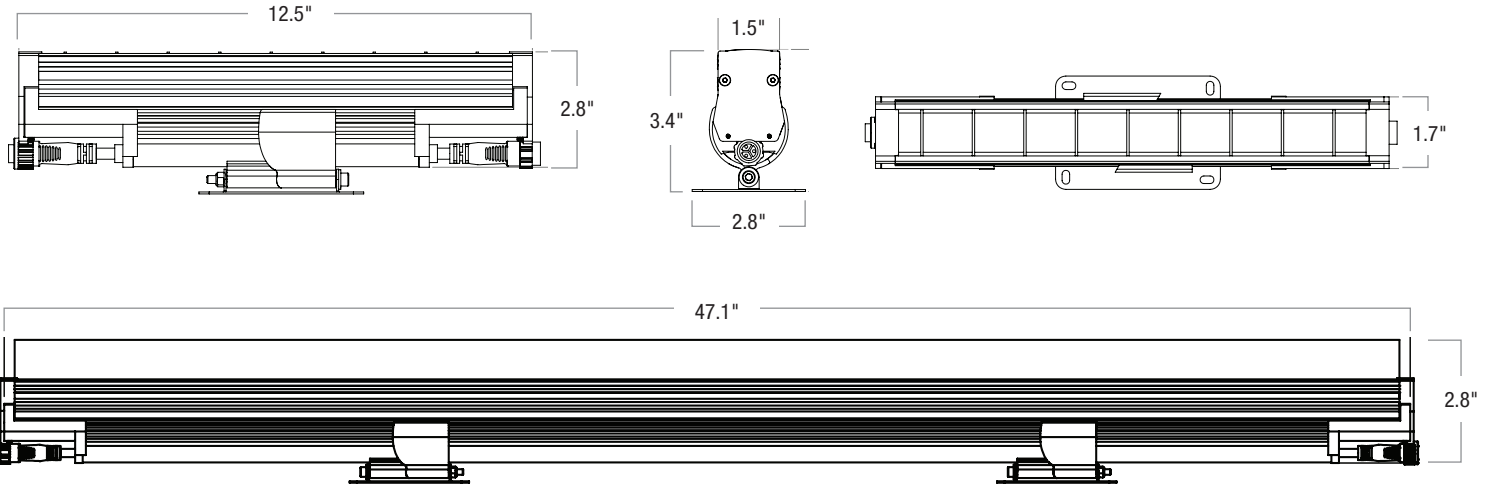


Due to continuous development and improvements, specifications are subject to change without notice. Solid State Luminaires reserves the right to change lab test details or specifications without notice. Product use certifies agreement to Solid State Luminaires terms and conditions.

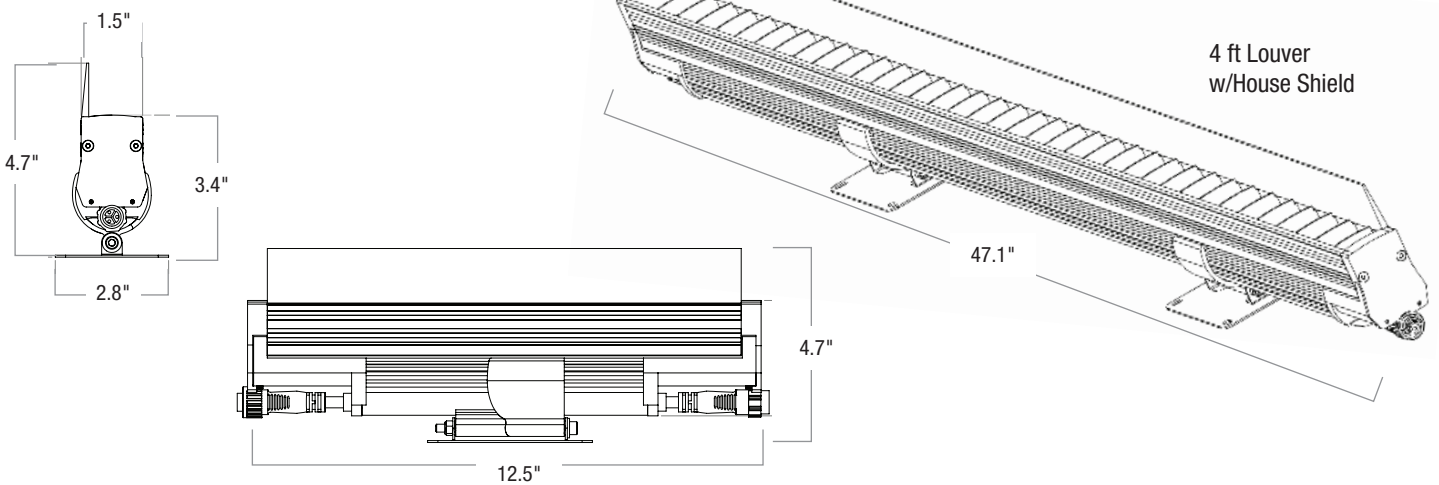


Accessories

LOUVRE - WCL		1FT	4FT
louvre height	.25"	12.5"	47.1"
overall height w/bracket	3.4"	1.5"	1.5"



HOUSE SHIELD - WCHS		1FT	4FT
shield height	1.3"	12.5"	47.1"
overall height w/bracket	4.7"	1.5"	1.5"

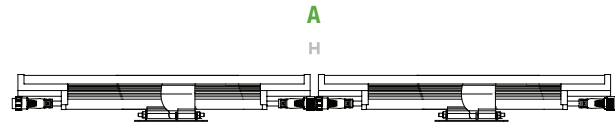


Due to continuous development and improvements, specifications are subject to change without notice. Solid State Luminaires reserves the right to change lab test details or specifications without notice. Product use certifies agreement to Solid State Luminaires terms and conditions.



Connectivity Options

CONNECTIONS & CABLES



Daisy Chain Fixtures (1')

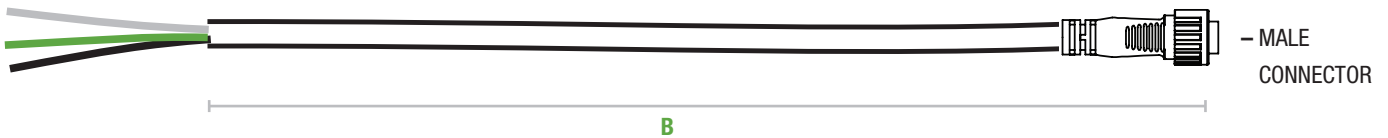
- A:** MIN/0" - MAX/.38" between fixtures
- B:** SC10W - 10ft Starter Cord
- C:** EC12W 12 in. Extension Cord
- C:** EC24W 24 in. Extension Cord
- C:** EC60W 60 in. Extension Cord
- D:** TCAPW 1.13" Terminator Cap

Daisy Chain Fixtures (4') & Daisy Chain Fixtures (6')



B: STARTER CABLES

INSURE FIRST FIXTURE IS ORIENTED TO ACCEPT MALE CONNECTOR STARTER CABLE



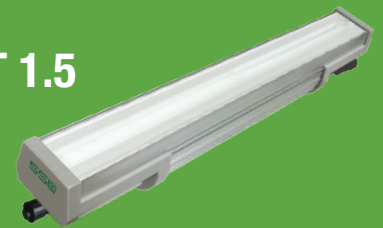
C: EXTENSION CABLES



D: TERMINATOR CAP TCAP

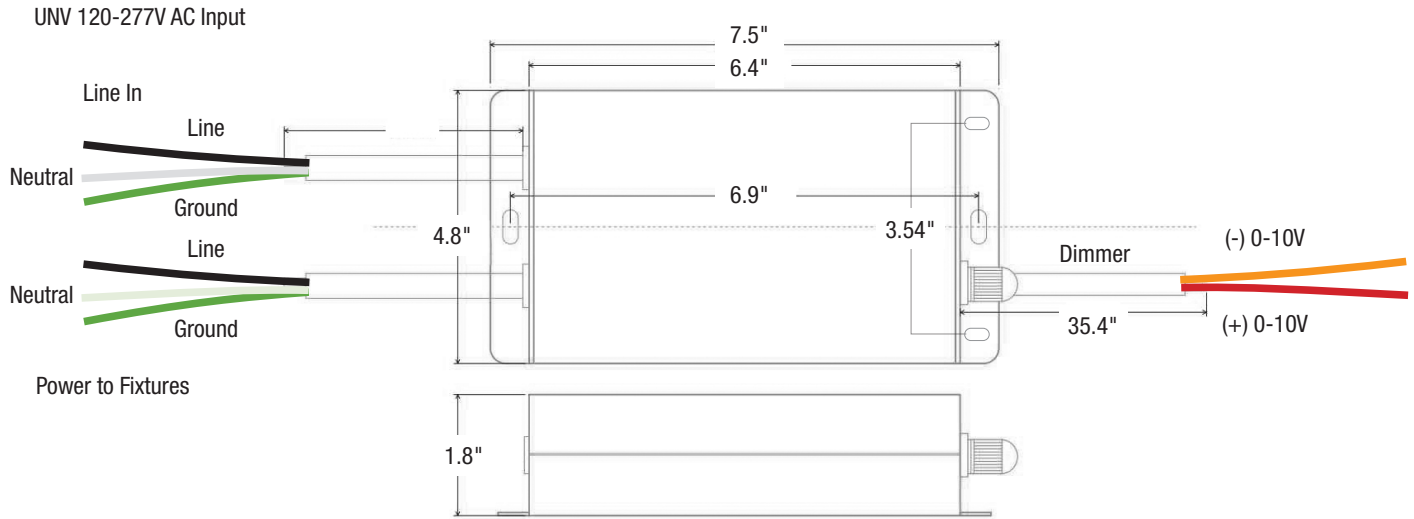


Due to continuous development and improvements, specifications are subject to change without notice. Solid State Luminaires reserves the right to change lab test details or specifications without notice. Product use certifies agreement to Solid State Luminaires terms and conditions.



Control Components

0-10V ELV DIMMING MODULE (MC-10VELVDIM)



CONTROLS

0-10V DIMMING

Use of exterior rated, IP66, IP67, or IP68 enclosure for Dimming Module is recommended. Recommended controls are interior rated only.

Model	Description
IP710-LFZ	Leviton 0-10V Dimmer
DVSTV	Lutron Diva 0-10V Dimmer



Dimmers are sold by others. FC|SSL does not recommend dimmers that have not been tested with their fixtures.

TRIAC, REVERSE PHASE DIMMING

Model	Description
DELV	Lutron Diva Dimmer 300P
SELV	Lutron Skylark Dimmer 153P
SCL	Lutron Skylark Dimmer 300P



Dimmers are sold by others. FC|SSL does not recommend dimmers that have not been tested with their fixtures.

Due to continuous development and improvements, specifications are subject to change without notice. Solid State Luminaires reserves the right to change lab test details or specifications without notice. Product use certifies agreement to Solid State Luminaires terms and conditions.

FEATURES & SPECIFICATIONS

INTENDED USE — Typical applications include corridors, lobbies, conference rooms and private offices.

CONSTRUCTION — Galvanized steel mounting/plaster frame; galvanized steel junction box with bottom-hinged access covers and spring latches. Reflectors are retained by torsion springs.

Vertically adjustable mounting brackets with commercial bar hangers provide 3-3/4" total adjustment.

Two combination 1/2"-3/4" and four 1/2" knockouts for straight-through conduit runs. Capacity: 8 (4 in, 4 out). No. 12 AWG conductors, rated for 90°C.

Accommodates 12"-24" joist spacing.

Passive cooling thermal management for 25°C standard; high ambient (40°C) option available. Light engine and drivers are accessible from above or below ceiling.

Max ceiling thickness 1-1/2".

OPTICS — LEDs are binned to a 3-step SDCM; 80 CRI minimum. 90 CRI optional.

LED light source concealed with diffusing optical lens.

General illumination lighting with 1.0 S/MH and 55° cutoff to source and source image.

Self-flanged anodized reflectors in specular, semi-specular, or matte diffuse finishes. Also available in white and black painted reflectors.

ELECTRICAL — Multi-volt (120-277V, 50/60Hz) 0-10V dimming drivers mounted to junction box, 10% or 1% minimum dimming level available.

0-10V dimming fixture requires two (2) additional low-voltage wires to be pulled.

70% lumen maintenance at 60,000 hours.

LISTINGS — Certified to US and Canadian safety standards. Wet location standard (covered ceiling).

IP55 rated. ENERGY STAR® certified product.

WARRANTY — 5-year limited warranty. Complete warranty terms located at:

www.acuitybrands.com/support/warranty/terms-and-conditions

Note: Actual performance may differ as a result of end-user environment and application.

All values are design or typical values, measured under laboratory conditions at 25 °C.

Specifications subject to change without notice.

Catalog Number
Notes
Type



LDN4

**4" Open and WallWash LED
Non-IC
New Construction Downlight**



A+ Capable options indicated by this color background.

ORDERING INFORMATION

Lead times will vary depending on options selected. Consult with your sales representative.

Example: LDN4 35/15 L04AR LSS MVOLT EZ1

LDN4 Series	Color temperature	Lumens ¹	Aperture/Trim Color	Finish	Voltage	
LDN4 4" round	27/ 2700K	05 500 lumens	L04 Downlight	AR Clear	LSS Semi-specular	MVOLT Multi-volt
	30/ 3000K	07 750 lumens		WR ² White		
	35/ 3500K	10 1000 lumens	LW4 Wallwash	BR ² Black	LS Specular	277 277V
	40/ 4000K	15 1500 lumens				347 ³ 347V
	50/ 5000K	20 2000 lumens				

Driver	Options
GZ10 0-10V driver dims to 10%	SF ⁴ Single fuse
GZ1 0-10V driver dims to 1%	TRW ⁶ White painted flange
EZ10 0-10V eldoLED driver with smooth and flicker-free deep dimming performance down to 10%	TRBL ⁶ Black painted flange
	EL ⁵ Emergency battery pack with integral test switch. 10W Constant Power, Not Certified in CA Title 20 MAEDBS
EZ1 0-10V eldoLED driver with smooth and flicker-free deep dimming performance down to 1%	ELR ⁵ Emergency battery pack with remote test switch. 10W Constant Power, Not Certified in CA Title 20 MAEDBS
	ELSD ⁵ Emergency battery pack with self-diagnostics, 10W Constant Power, integral test switch. Not Certified in CA Title 20 MAEDBS
D10 Minimum dimming 10% driver for use with JOT	ELRSD ⁵ Emergency battery pack with self-diagnostics, 10W Constant Power, remote test switch. Not Certified in CA Title 20 MAEDBS
D1 Minimum dimming 1% driver for use with JOT	E10WCPS ⁵ Emergency battery pack, 10W Constant Power with integral test switch. Certified in CA Title 20 MAEDBS
EDAB eldoLED DALI SOLDRIIVE dim to dark	E10WCPR ⁵ Emergency battery pack, 10W Constant Power with remote test switch. Certified in CA Title 20 MAEDBS
	NPP16D ^{7,10} nLight® network power/relay pack with 0-10V dimming for non-eldoLED drivers (GZ10, GZ1).
	NPP16DER ^{7,10} nLight® network power/relay pack with 0-10V dimming for non-eldoLED drivers (GZ10, GZ1). ER controls fixtures on emergency circuit.
	N80 ⁸ nLight™ Lumen Compensation
	JOT ¹³ Wireless room control with "Just One Touch" pairing
	NPS80EZ ^{7,10} nLight® dimming pack controls 0-10V eldoLED drivers (EZ10, EZ1).
	NPS80EZER ^{7,10} nLight® dimming pack controls 0-10V eldoLED drivers (EZ10, EZ1). ER controls fixtures on emergency circuit.
	HAO ¹¹ High ambient option (40°C)
	CP ¹² Chicago Plenum
	RRL___ RELOC®-ready luminaire connectors enable a simple and consistent factory installed option across all ABL luminaire brands. Refer to RRL for complete nomenclature. Available only in RRLA, RRLB, RRLAE, and RRLC12S.
	NLTAIR2 ^{8,9} nLight® Air enabled
	NLTAIRER2 ^{9,10} nLight® AIR Dimming Pack Wireless Controls. Controls fixtures on emergency circuit, not available with battery pack options
	NLTAIREM2 ^{9,10} nLight® AIR Dimming Pack Wireless Controls. UL924 Emergency Operation, via power interrupt detection. Available with battery pack options.
	USPOM US point of manufacture
	90CRI High CRI (90+)

Notes

1 Overall height varies based on lumen package; refer to dimensional chart on page 3.

2 Not available with finishes.

3 Not available with emergency options.

4 Must specify voltage 120V or 277V.

5 12.5" of plenum depth or top access required for battery pack maintenance.

6 Available with clear (AR) reflector only.

7 Specify voltage. ER for use with generator supply EM power. Will require an emergency hot feed and normal hot feed.

8 Fixture begins at 80% light level. Must be specified with NPS80EZ or NPS80EZ ER. Only available with EZ10 and EZ1 drivers.

9 Not available with CP, NPS80EZ, NPS80EZER, NPP16D, NPP16DER or N80 options.

10 NLTAIR2, NLTAIRER2 and NLTAIREM2 not recommended for metal ceiling installations.

11 Fixture height is 5-11/16" for all lumen packages with HAO.

12 Must specify voltage for 3000lm. Not available with emergency battery pack option.

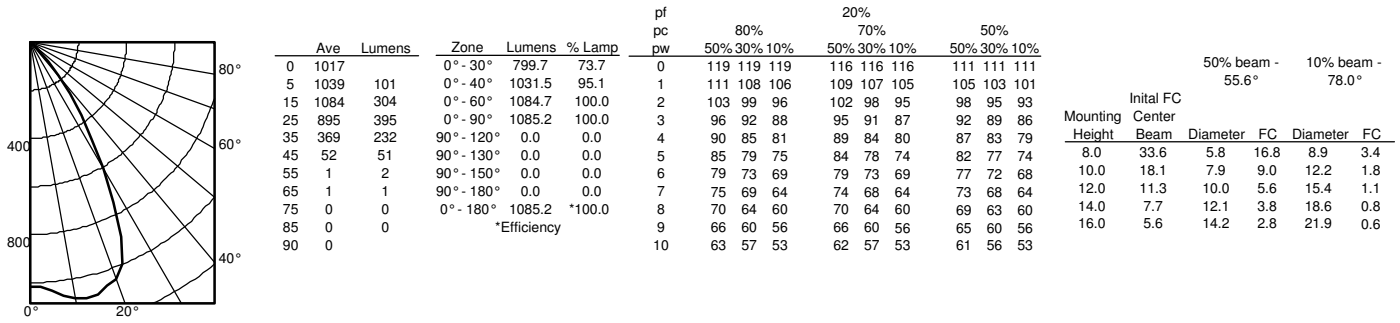
13 Must specify D10 or D1 driver. Not available with nLight options. Not available with CP. Not recommended for metal ceiling installation. Not for use with emergency backup power systems other than battery packs.

LDN4

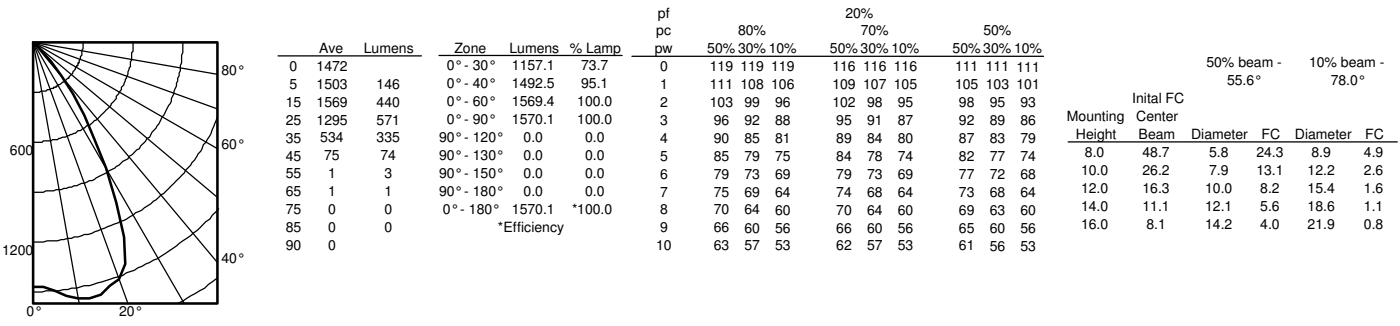
PHOTOMETRY

Distribution Curve	Distribution Data	Output Data	Coefficient of Utilization	Illuminance Data at 30" Above Floor for a Single Luminaire
--------------------	-------------------	-------------	----------------------------	--

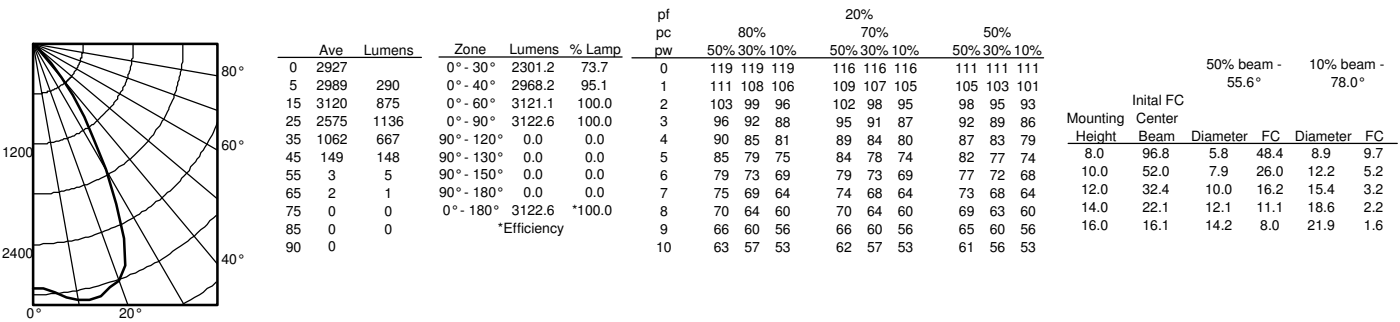
LDN4 35/10 L04AR, input watts: 10.58, delivered lumens: 1085.2, LM/W = 102.57, spacing criterion at 0= 1.04, test no. ISF 30712P229.



LDN4 35/15 L04AR, input watts: 17.5, delivered lumens: 1570.1, LM/W = 89.72, spacing criterion at 0= 1.04, test no. ISF 30712P234.



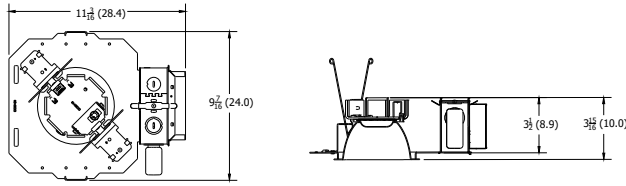
LDN4 35/30 L04AR, input watts: 32.1, delivered lumens: 3122.6, LM/W = 88.52, spacing criterion at 0= 1.04, test no. ISF 30712P249.



LDN4

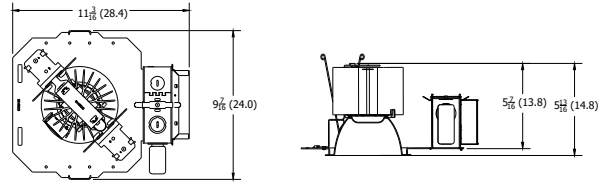
* All dimensions are inches (centimeters) unless otherwise noted.

LDN4 500 - 2000 LUMENS



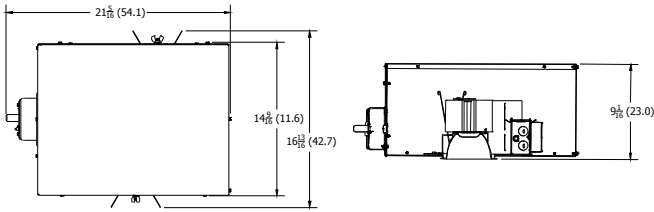
Aperture: 4-5/16" (11)
Ceiling Opening: 5-1/8" (13)
Overlap Trim: 5-7/16" (13.8)

LDN4 2500 - 4000 LUMENS



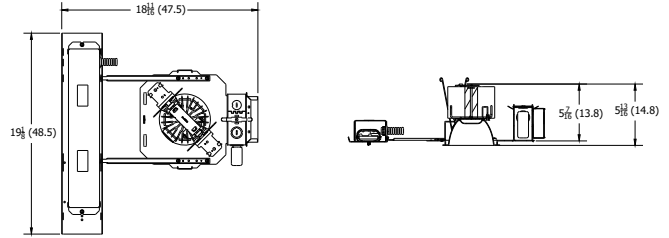
Aperture: 4-5/16" (11)
Ceiling Opening: 5-1/8" (13)
Overlap Trim: 5-7/16" (13.8)

LDN4 CP



Aperture: 4-5/16" (11)
Ceiling Opening: 5-1/8" (13)
Overlap Trim: 5-7/16" (13.8)

LDN4 EL



Aperture: 4-5/16" (11)
Ceiling Opening: 5-1/8" (13)
Overlap Trim: 5-7/16" (13.8)

LDN4			
Nominal	Lumens	Wattage	Lm/W
500	523.6	5.74	91.2
750	751.1	8.6	87.3
1000	1045	10.58	98.8
1500	1512	17.5	86.4
2000	2006	22.12	90.7
2500	2551	26.1	97.7
3000	3007	32.1	93.7
4000	4212	43	98.0

LUMEN OUTPUT MULTIPLIERS - CCT					
	2700K	3000K	3500K	4000K	5000K
80CRI	0.950	0.966	1.000	1.025	1.101

HOW TO ESTIMATE DELIVERED LUMENS IN EMERGENCY MODE

Use the formula below to estimate the delivered lumens in emergency mode

Delivered Lumens = 1.25 x P x LPW

P = Output power of emergency driver. P = 10W for PS1055CP

LPW = Lumen per watt rating of the luminaire. This information is available on the ABL luminaire spec sheet.

The LPW rating is also available at Designlight Consortium.

LUMEN OUTPUT MULTIPLIERS - FINISH			
	Clear (AR)	White (WR)	Black (BR)
Specular (LS)	1.0	N/A	N/A
Semi-specular (LSS)	0.950	N/A	N/A
Matte diffuse (LD)	0.85	N/A	N/A
Painted	N/A	0.87	0.73

Notes

- Tested in accordance with IESNA LM-79-08.
- Tested to current IES and NEMA standards under stabilized laboratory conditions.
- CRI: 80 typical.

ADDITIONAL DATA

JOT

JUST ONE TOUCH

The Sensor Switch JOT enabled solution offers a wireless, app-free approach to single room lighting control. JOT enabled products use Bluetooth® Low Energy (BLE) technology to enable wireless dimming and switching.

Diagram



LDN4 Series



Sensor Switch
WSXA JOT

- 1. Power:** Install JOT enabled fixtures and controls as instructed.
- 2. Pair:** Insert the pairing tool into the pinhole on the wall switch; press and hold any button for 6 seconds.
- 3. Play:** Once paired, each fixture will individually dim down to 10% brightness. All products will be fully functional.

COMPATIBLE 0-10V WALL-MOUNT DIMMERS

MANUFACTURER	PART NO.	POWER BOOSTER AVAILABLE
Lutron®	Diva® DVTV	
	Diva® DVSCTV	
	Nova T® NTFTV	
	Nova® NFTV	
Leviton®	AWSMT-7DW	CN100
	AWSMG-7DW	PE300
	AMRMG-7DW	
	Leviton Centura Fluorescent Control System	
	IllumaTech® IP7 Series	
Synergy®	ISD BC	RDMFC
	SLD LPCS	
	Digital Equinox (DEQ BC)	
Douglas Lighting Controls	WPC-5721	
Entertainment Technology	Tap Glide TG600FAM120 (120V)	
	Tap Glide Heatsink TGH1500FAM120 (120V)	
	Oasis OA2000FAMU	
Honeywell	EL7315A1019	EL7305A1010 (optional)
	EL7315A1009	
HUNT Dimming	Preset slide: PS-010-IV and PS-010-WH	
	Preset slide: PS-010-3W-IV and PS-010-3W-WH	
	Preset slide, controls FD-010: PS-IFC-010-IV and PS-IFC-010-WH-120/277V	
	Preset slide, controls FD-010: PS-IFC-010-3W-IV and PS-IFC-010-3W-WH-120/277V	
	Remote mounted unit: FD-010	
Lehigh Electronic Products	Solitaire	PBX
PDM Electrical Products	WPC-5721	
Starfield Controls	TR61 with DALI interface port	RT03 DALInet Router
WattStopper®	LS-4 used with LCD-101 and LCD-103	

A+ Capable Luminaire

This item is an A+ capable luminaire, which has been designed and tested to provide consistent color appearance and out-of-the-box control compatibility with simple commissioning.

- All configurations of this luminaire meet the Acuity Brands' specification for chromatic consistency
- This luminaire is part of an A+ Certified solution for nLight® control networks when ordered with drivers marked by a **shaded background***
- This luminaire is part of an A+ Certified solution for nLight control networks, providing advanced control functionality at the luminaire level, when selection includes driver and control options marked by a **shaded background***

To learn more about A+, visit www.acuitybrands.com/aplus.

*See ordering tree for details

LDN4

EXAMPLE

Group Fixture Control*

*Application diagram applies for fixtures with eldoLED drivers only.

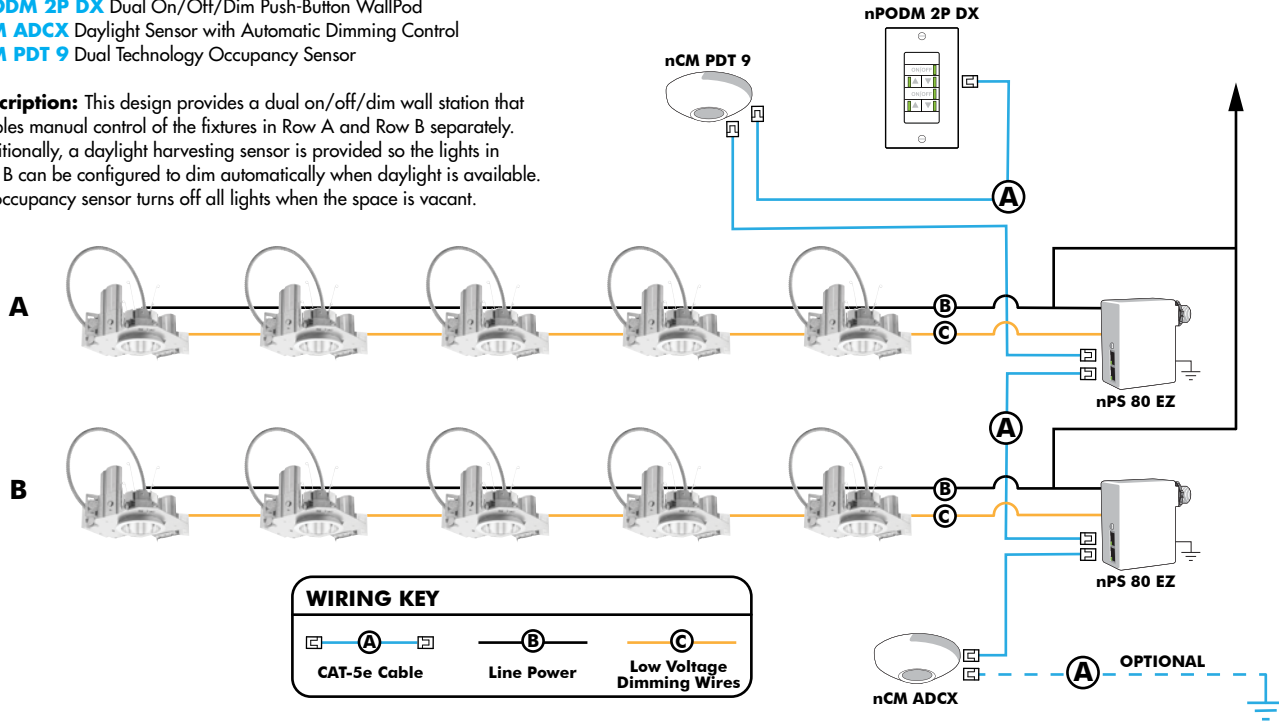
nPS 80 EZ Dimming/Control Pack (qty: 2 required)

nPODM 2P DX Dual On/Off/Dim Push-Button WallPod

nCM ADCX Daylight Sensor with Automatic Dimming Control

nCM PDT 9 Dual Technology Occupancy Sensor

Description: This design provides a dual on/off/dim wall station that enables manual control of the fixtures in Row A and Row B separately. Additionally, a daylight harvesting sensor is provided so the lights in Row B can be configured to dim automatically when daylight is available. An occupancy sensor turns off all lights when the space is vacant.



Choose Wall Controls

nLight offers multiple styles of wall controls - each with varying features and user experience.



Push-Button Wallpod

Traditional tactile buttons and LED user feedback



Graphic Wallpod

Full color touch screen provides a sophisticated look and feel

nLight® Wired Controls Accessories:

Order as separate catalog number. Visit www.acuitybrands.com/products/controls/nlight for complete listing of nLight controls.

WallPod Stations	Model number	Occupancy sensors	Model Number
On/Off	nPODM (Color)	Small motion 360°, ceiling (PIR/dual Tech)	nCM 9 / nCM PDT 9
On/Off & Raise/Lower	nPOD DX (Color)	Large motion 360°, ceiling (PIR/dual tech)	nCM 10 / nCM PDT 10
Graphic Touchscreen	nPOD GFX (Color)	Wide View (PIR/dual tech)	nWV 16 / nWV PDT 16
Photocell controls	Model Number	Wall Switch w/ Raise/Lower (PIR/dual tech)	nWSX LV DX / nWSX PDT LV DX
Dimming	nCM ADCX	Cat-5 cables (plenum rated)	Model Number
		10', CAT5 10FT	CAT5 10FT J1
		15, CAT5 15FT	CAT5 15FT J1

nLight® AIR Control Accessories:

Order as separate catalog number. Visit www.acuitybrands.com/products/controls/nlightair.

Wall switches

	Model number
On/Off single pole	rPODB [color]
On/Off two pole	rPODB 2P [color]
On/Off & raise/lower single pole	rPODB DX [color]
On/Off & raise/lower two pole	rPODB 2P DX [color]
On/Off & raise/lower single pole	rPODBZ DX WH ¹

Notes

1 Can only be ordered with the RES7Z zone control sensor version.

nLight AIR

nLight AIR is the ideal solution for retrofit or new construction spaces where adding communication is cost prohibitive. The integrated nLight AIR rPP20 Power Pack is part of each Lithonia LDN Luminaire. These individually addressable controls offer the ultimate in flexibility during initial setup and for space repurposing.



Simple as 1,2,3

1. Install the nLight® AIR fixtures with embedded smart sensor
2. Install the wireless battery-powered wall switch
3. With CLAIRITY app, pair the fixtures with the wall switch and if desired, customize the sensor settings for the desired outcome



Date: _____ Customer: _____
 Project: _____
 Type: _____ Qty: _____



Mistella™ LED



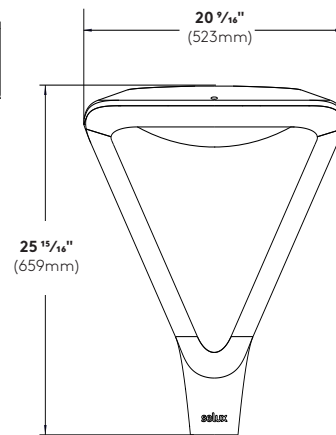
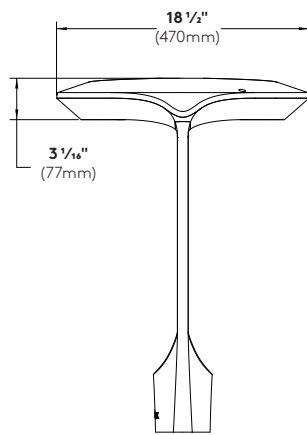
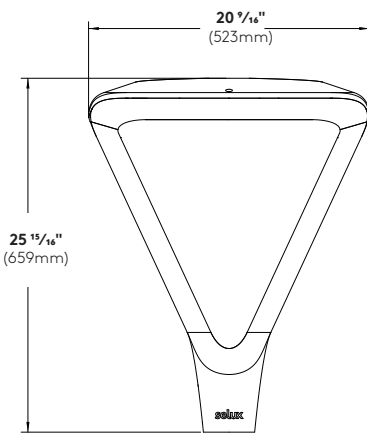
Order Code: MST - - - - -

Pole Order Code: _____ * See pages 4 and 6

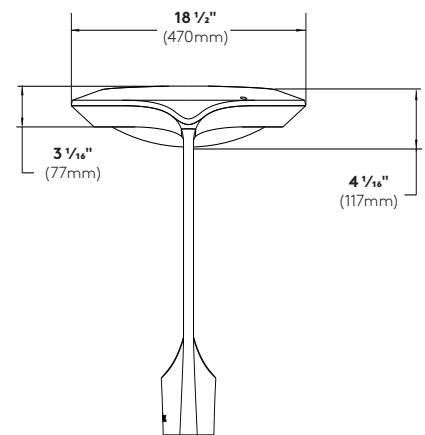
MST	Series	MST										
		Mistella™ LED										
Optics	R1 Type I	R2 Type II	R3 Type III	R3W Type III (Wide)	R4 Type IV	R5R Type V (Round)	R5S Type V (Square)	R5Q Type V (Rectangular)	DG Diffuse Flat Glass	DB1 ¹ Diffuse Sagged Bowl	¹ DB1 option not Dark Sky	
Mounting	1 Single	2 Double	W Wall									
Comfort Light Engine (DB1 & DG) OR Technical Light Engine (R1-R5Q)	MP350 nominal 33W/2965lm	MP530 nominal 48W/4443lm	MP700 nominal 61W/5613lm	MP900 nominal 79W/6951lm	MP105 nominal 92W/7796lm	MP140 nominal 129W/9544lm					[*] Based on 3000K CCT and DG optic	
	5G350 nominal 33W/3745lm	5G530 nominal 48W/5417lm	5G700 nominal 61W/6843lm	5G900 nominal 79W/8475lm	5G105 nominal 92W/9505lm	5G140 ² nominal 121W/11636lm					² For maximum ambient temperatures up to 40°C only [*] Based on 3000K CCT and R1 optics	
CCT	27 ³ 2700K	30 ³ 3000K	40 4000K									³ 2700K and 3000K are IDA Approved [*] For other CCT please consult factory
Power Supply Wire Length	10 10'	12 12'	14 14'	16 16'	18 18'	20 20'	XX ⁴ XX'					⁴ Add length of arm and height of pole to determine power supply wire length
Finish	WH White	BK Black	BL Semi-Matte Black	BZ Bronze	SV Silver	SP Specify Premium Color						
Voltage	UNV 120V-277V	120 ⁵ 120V	240 ⁵ 240V	277 ⁵ 277V	347 ⁶ 347V	480 ⁶ 480V						⁵ Specify for HL option ⁶ Not available with 5G140 or MP140 light engines
Options	DM ^{8,10} Dimming (0-10V)	HS ⁷ House Side Shield (180°)	HL30 ^{8,9} Hi-Lo Switching Low Output 30%	HL50 ^{8,9} Hi-Lo Switching Low Output 50%	TLR ^{8,9,10} Twist Lock Receptacle 7-Pin with Shorting Cap	TLRP Twist Lock Receptacle 3-Pin with Photocell	TLRLL ^{8,9,10} Twist Lock Receptacle 7-Pin with Lutron Limelight Module					⁷ Type I, II, III, and IV only ⁸ DM, HLXX, or TLR only. Cannot be combined. ⁹ 120V, 240V, or 277V only ¹⁰ Not available with HL or DM ¹¹ Cannot be combined with DG or DB1
	GL ¹¹ Clear Flat Glass Lens	ROL Rotate optics left	ROR Rotate optics right	Pole Motion Sensor with optional photocell See page 8 for order code								



Gen5/DG Optic



DB1 Optic



Specifications

Luminaire Cover - Cast aluminum cover made from low copper aluminum.

Gasketing - Continuous gasket provides weatherproofing, dust, and insect control at all fixture connections.

LED Array - LEDs mounted to PC boards and attached to aluminum heat sink for maximum LED performance and life. 3-step MacAdams ellipse for 2700K, 3000K and 4000K. CRI minimum 80. Complete light engine can be removed easily for future upgrade.

LED Optics - Technical Optics (R1, R2, R3, R3W, R4, R5R, R5S, and R5Q) use Selux signature light pattern acrylic lens holder to secure proprietary silicone optics. Internal micro house side shield available for distribution types I, II, III & IV with or without clear glass option. DG and DB1 optics use a mid-power LED board. DG consists of recessed diffuse puck with flat clear glass. DB1 uses sagged diffuse polycarbonate bowl.

LED Driver - LEDs are driven by RoHS compliant constant current programmable LED driver. Driver includes 0-10V dimming to 10%, meets the requirements of IP66. Driver assembly located inside the head.

Arm/Arms - Cast aluminum arms support upper housing and optic assembly with built in pole fitter.

Pole Fitter - Self-leveling, die cast low-copper aluminum, fitter base secured to pole with stainless steel allen head set screws. Fitter for 3.5" (90mm) O.D. poles or poles with 3.5" tenon.

Surge Protector - Designed to protect luminaire from electrical surge (20kA).

Power Supply Wire - Pre-installed at factory. Please specify power supply wire length in accordance to height of the pole. Add two (2) feet to power supply wire length for single mount and four (4) feet for double arm mount.

Hi-Lo Switching Option - Please see page 6 for details.

Exterior Luminaire Finish - Selux utilizes a high quality Polyester Powder Coating. All Selux luminaires and poles are finished in our Tiger Drylac certified facility and undergo a five stage intensive pretreatment process where product is thoroughly cleaned, phosphated and sealed. Selux powder coated products provide excellent salt and humidity resistance as well as ultraviolet resistance for color retention. All products are tested in accordance with test specifications for coatings from ASTM and PCI. Standard exterior colors are White (WH), Black (BK), Semi-Matte Black (BL), Bronze (BZ), and Silver (SV). Selux premium colors (SP) are available, please specify from your Selux color selection guide.

5 Year Limited LED Luminaire Warranty - Selux offers a 5 Year Limited Warranty to the original purchaser that the Mistella™ LED luminaire shall be free from defects in material and workmanship for up to five (5) years from date of shipment. This limited warranty covers the LED driver and LED array when installed and operated according to Selux instructions. For details, see "Selux Terms and Condition of Sale."

Listings and Ratings: Luminaire and LED tested to IP65 and IESNA LM-79-08 standards. LED tested to LM-80 standards. Luminaire and LED tested at 25°C ambient temperature.

Luminaire suitable for ambient temperatures of 45°C. Minimum operating temperature of luminaire at -40°C (-40°F).

NRTL Listed (i.e. UL, CSA)

Visit selux.us for our LED End of Life recycling policy.

For Buy American compliance on poles, please consult the factory.

Mounting

Single (1)

Cast aluminum fitter base secured to pole with two stainless steel Allen head set screws.

EPA = 1.2ft² (0.11m²)

Weight = 18lbs. (8.2kg)

Double Arm Mount (2)

Structural aluminum double luminaire mounting arm secured to pole with six stainless steel Allen head set screws.

EPA = 3.4ft² (0.32m²)

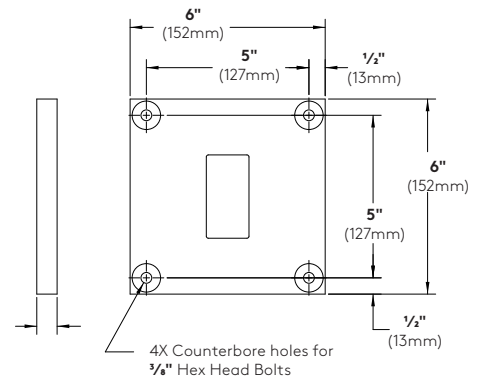
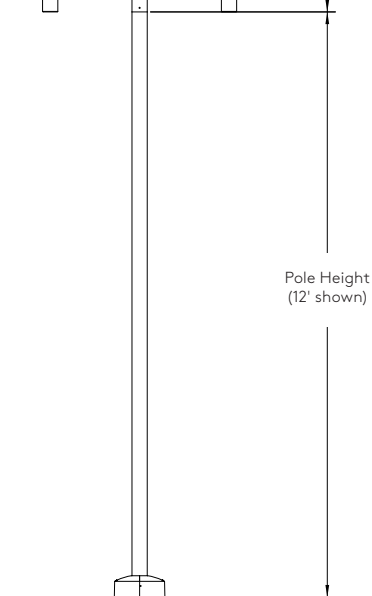
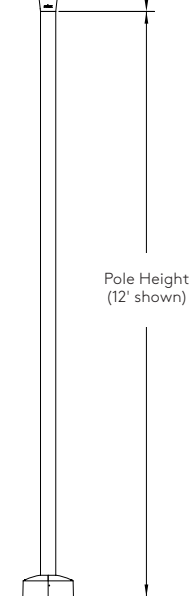
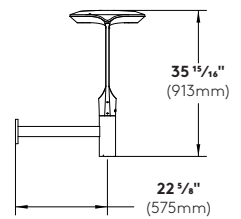
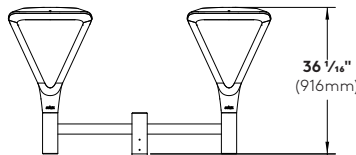
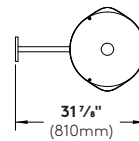
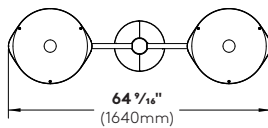
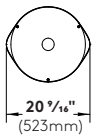
Weight = 49lbs. (22.2kg)

Wall (W)

Structural aluminum single luminaire mounting arm. Secured to wall with four 3/8" diameter threaded fasteners (by others).

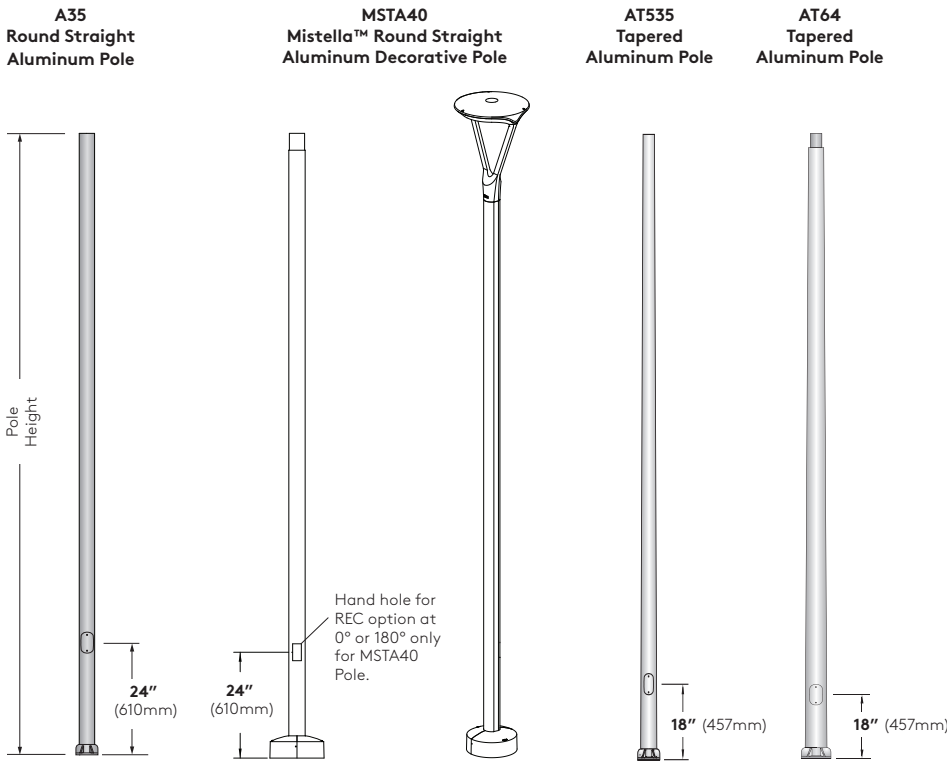
EPA = 1.6ft² (0.15m²)

Weight = 26lbs. (11.8kg)



Pole Information

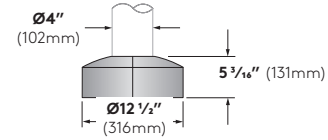
Refer to pole specification sheets for construction details, anchorage information and additional options.



Optional Base Covers for Poles

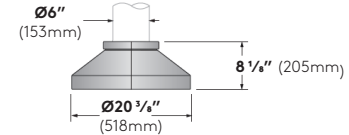
MSTBC13 Optional Base Cover (MSTA40)

Die cast aluminum, two-piece field installable base cover.



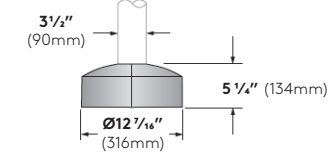
BC9 Optional Base Cover (AT64)

Die cast aluminum, two-piece field installable base cover.



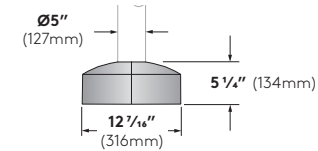
BC5 Standard Base Cover (AT35)

Die cast aluminum, two-piece field installable base cover.



BC3 Optional Base Cover (AT535)

Die cast aluminum, two-piece field installable base cover.



Pole Data Chart

Pole Series	Bolt Circle	EPA Information (ft ²)											Height	Finish	Options
		85 mph	90 mph	100 mph	110 mph	120 mph	130 mph	140 mph	150 mph	160 mph	170 mph	180 mph			
A35 3 - 1/2" Round Straight Aluminum Pole	7 - 3/4"	9.9	8.7	6.8	5.4	4.3	3.5	2.9	2.5	2.1	1.8	1.6	8 8ft	WH White	BC5 Two-piece cast aluminum base cover (for Mistella™ AT535 pole only)
MSTA40 4" Signature Straight Aluminum Pole	7 - 1/2"	10.6	9.3	7.3	5.8	4.7	3.9	3.3	2.9	2.5	1.6	1.4			
A35 3 - 1/2" Round Straight Aluminum Pole	7 - 3/4"	7.4	6.4	4.9	3.8	2.9	2.2	1.8	1.5	1.2	-	-	10 10ft	BK Black	BC5 Two-piece cast aluminum base cover (for Mistella™ A35 pole only)
MSTA40 4" Signature Straight Aluminum Pole	7 - 1/2"	8.2	7.2	5.5	4.2	3.3	2.8	2.3	1.9	1.6	-	-			
A35 3 - 1/2" Round Straight Aluminum Pole	7 - 3/4"	5.6	4.8	3.5	2.6	1.8	1.3	-	-	-	-	-	12 12ft	BL Semi-Matte Black	BC9 Decorative cast aluminum base cover (for Mistella™ AT64 pole only)
MSTA40 4" Signature Straight Aluminum Pole	7 - 1/2"	6.4	5.5	4.1	3.1	2.3	1.8	1.4	-	-	-	-			
AT535 5" to 3 - 1/2" Round Tapered Aluminum Pole	8 - 5/8"	15.2	13.4	10.5	8.4	6.9	5.8	4.9	4.2	3.6	3.2	2.8	12 12ft	BL Semi-Matte Black	MSTBC13 Decorative Cast aluminum base cover (for Mistella™ MSTA40 pole only)
AT64 6" to 4" Round Tapered Aluminum Pole	9 - 1/2"	22.9	20.3	16.1	13.1	10.9	9.2	7.9	6.8	5.9	5.2	4.5			
A35 3 - 1/2" Round Straight Aluminum Pole	7 - 3/4"	4.2	3.5	2.4	1.6	-	-	-	-	-	-	-	14 14ft	BZ Bronze	T35 Supplied with 3/2" diameter tenon, 4/2" high (for Mistella™ MSTA40 and AT64 poles only)
MSTA40 4" Signature Straight Aluminum Pole	7 - 1/2"	5.0	4.2	3.0	2.1	1.4	-	-	-	-	-	-			
AT535 5" to 3 - 1/2" Round Tapered Aluminum Pole	8 - 5/8"	12.8	11.2	8.7	6.9	5.5	4.6	3.8	3.3	2.8	2.4	2.1	14 14ft	BZ Bronze	REC GFCI Receptacle with weather-proof cover (120V only)
AT64 6" to 4" Round Tapered Aluminum Pole	9 - 1/2"	19.5	17.2	13.6	11.0	9.1	7.6	6.5	5.6	4.8	4.2	3.7			
A35 3 - 1/2" Round Straight Aluminum Pole	7 - 3/4"	2.7	2.1	1.2	-	-	-	-	-	-	-	-	16 16ft	SV Silver	REC2GFCI Receptacle with padlockable in-use cover (120V only)
MSTA40 4" Signature Straight Aluminum Pole	7 - 1/2"	3.7	3.2	2.0	-	-	-	-	-	-	-	-			
AT535 5" to 3 - 1/2" Round Tapered Aluminum Pole	8 - 5/8"	10.5	9.1	6.9	5.4	4.3	3.4	2.9	2.4	2.0	1.7	1.5	16 16ft	SP Specify Premium Color	REC3USB and Duplex Receptacle with weather-proof cover (120V only)
AT64 6" to 4" Round Tapered Aluminum Pole	9 - 1/2"	16.3	14.3	11.2	9.0	7.4	6.2	5.2	4.4	3.8	3.3	2.9			
MSTA40 4" Signature Straight Aluminum Pole	7 - 1/2"	2.3	1.7	-	-	-	-	-	-	-	-	-	18 18ft	SP Specify Premium Color	REC4USB and Duplex Receptacle with weather-proof padlockable in-use cover (120V only)
AT535 5" to 3 - 1/2" Round Tapered Aluminum Pole	8 - 5/8"	10.7	9.2	7.0	5.4	4.2	3.4	2.8	2.3	2.0	1.7	1.4			
AT64 6" to 4" Round Tapered Aluminum Pole	9 - 1/2"	13.6	11.8	9.2	7.3	6.0	4.9	4.2	3.5	3.0	2.6	2.2	18 18ft	MS	Motion Sensor with Optional Photocell (see page 6)

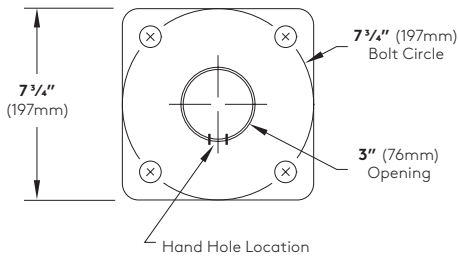
¹ Maximum Basic Wind Speed certified in accordance with AASHTO 2013 (LTS-6)

² Values are nominal 3-s gust wind speeds in accordance with ASCE 7-05 for Allowable Stress Design (ASD) analysis

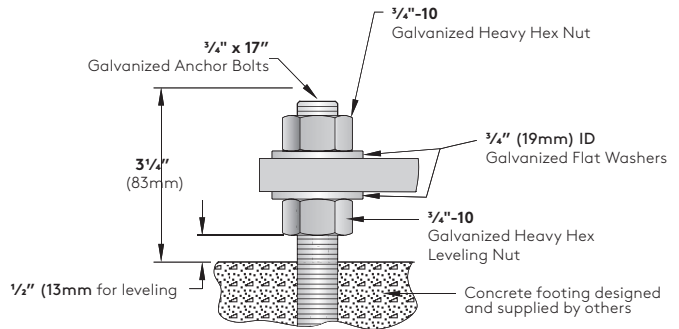
Bolt Circle for A35

Use caution when setting anchor bolts. Bolts must be vertically straight and centered on dimensions shown

Note: Adequate drainage must be provided in concrete foundation.



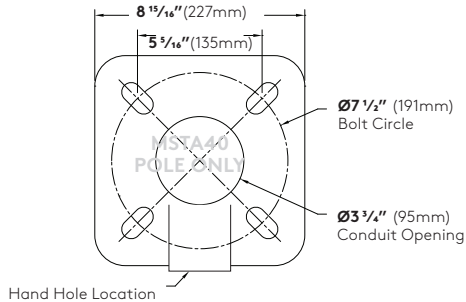
Anchor Bolt Detail for A35



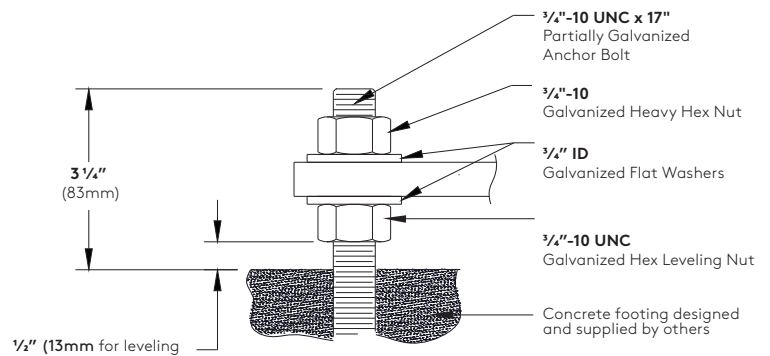
Bolt Circle for MST40

Use caution when setting anchor bolts. Bolts must be vertically straight and centered on dimensions shown

Note: Adequate drainage must be provided in concrete foundation.



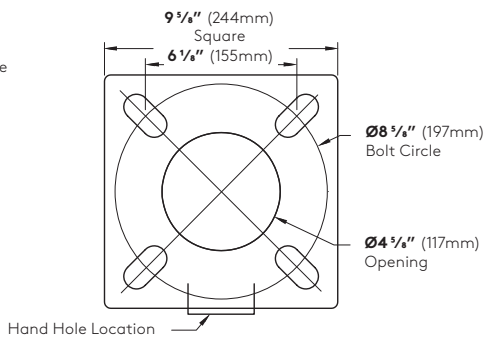
Anchor Bolt Detail for MST40



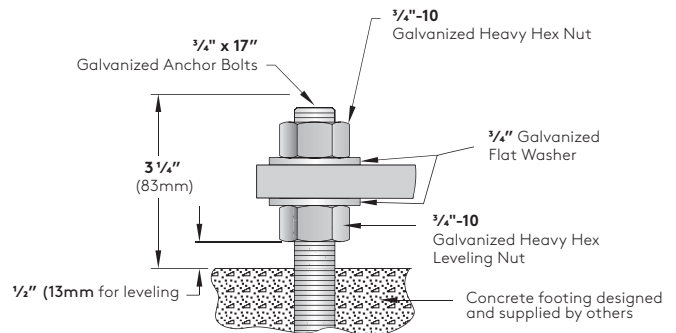
Bolt Circle for AT535

Use caution when setting anchor bolts. Bolts must be vertically straight and centered on dimensions shown

Note: Adequate drainage must be provided in concrete foundation.



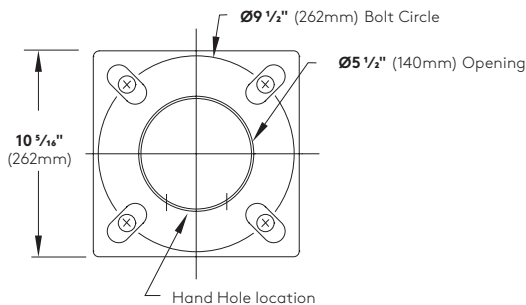
Anchor Bolt Detail for AT535



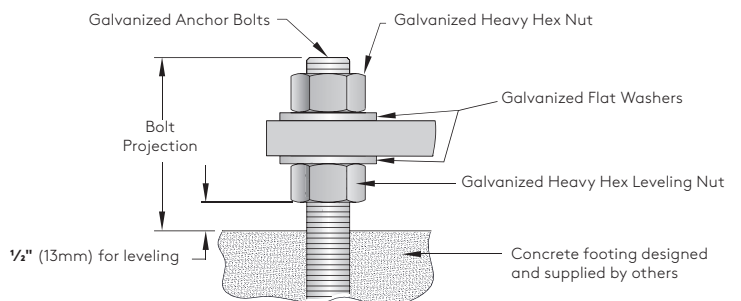
Bolt Circle for AT64

Use caution when setting anchor bolts. Bolts must be vertically straight and centered on dimensions shown

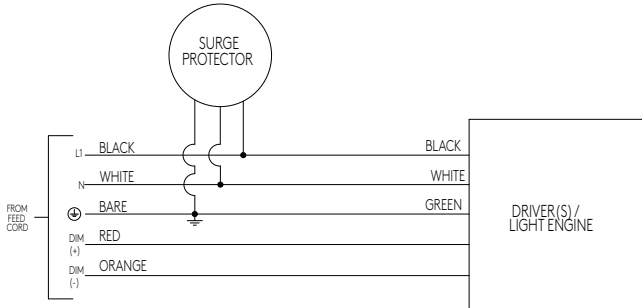
Note: Adequate drainage must be provided in concrete foundation.



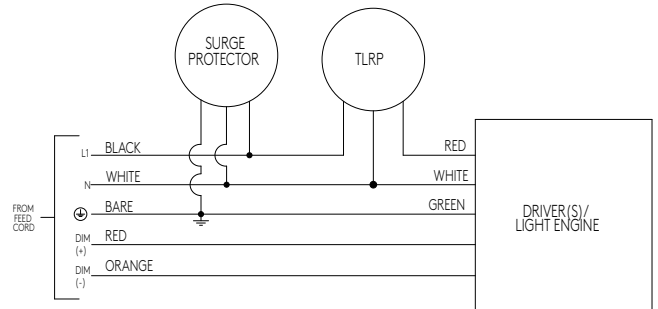
Anchor Bolt Detail for AT64



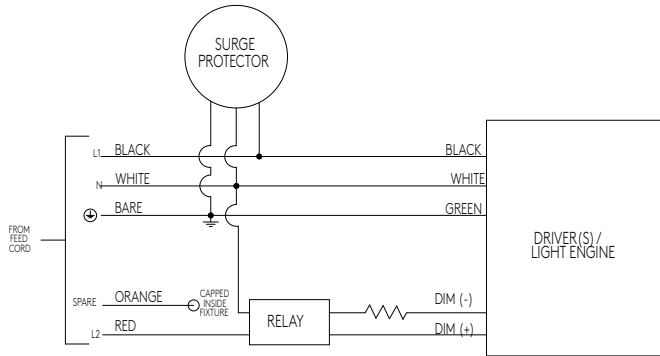
Standard Wiring (120V-480V)*



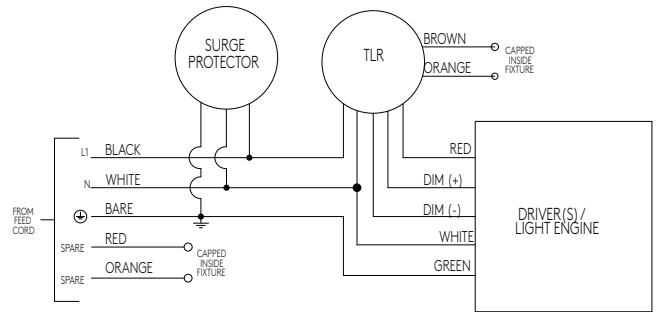
TLRP Wiring (120V/240V/277V)



Hi-Lo Switching Option (HL30/HL50) Wiring 120/240/277V.
When red is energized, light output will be at "Lo" level.



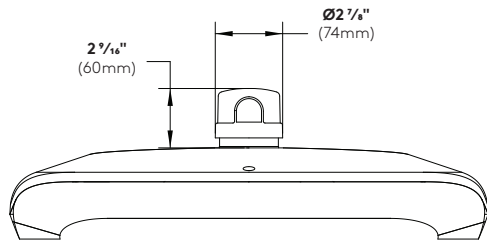
TLR Wiring (120V-480V)*



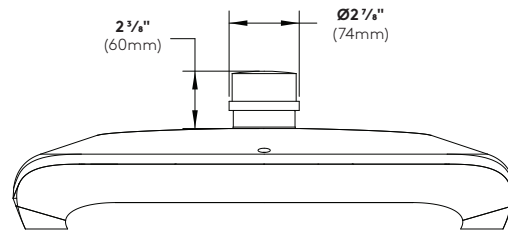
* (347/480V with 5G350 has a transformer - not shown)

Optional Accessories

(TLRP) Twist Lock Receptacle with Photocell



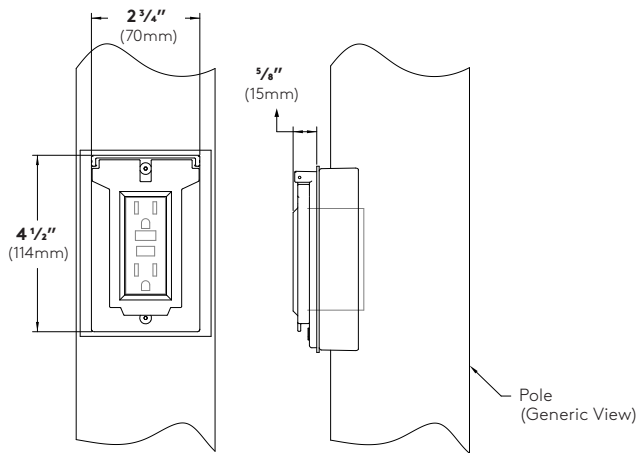
(TLR) 7-Pin Twist Lock Receptacle with Shorting Cap



TLRP = TE Connectivity BF Series (BF-PV) 3-Pin

REC and REC3

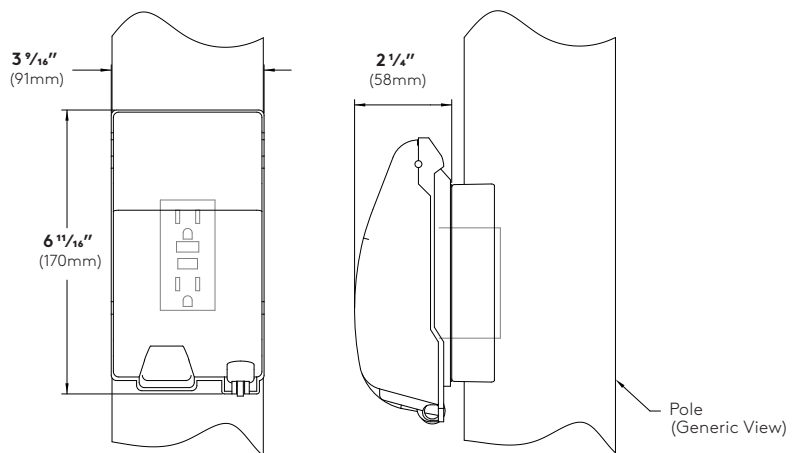
(location for MSTA40 pole at 0° or 180° only)



Cover shown in the closed position

REC2 and REC4

(location for MSTA40 pole at 0° or 180° only)



Cover shown in the closed position

GFCI Receptacle (REC) - 120V 15A GFCI duplex receptacle with weatherproof, self-closing cover; located 36" (915mm) o.c. from base of pole, in-line with hand hole. Receptacle is intended only for portable tools or other portable equipment to be connected to outlet only when attended by operating personnel (120V only).

GFCI Receptacle (REC2) - 120V 15A GFCI duplex receptacle with weatherproof, self-closing, padlockable in-use cover; located 36" (915mm) o.c. from base of pole, in-line with hand hole. Receptacle is intended only for portable tools or other portable equipment to be connected to outlet only when attended by operating personnel (120V only).

USB & Duplex Receptacle (REC3) (not shown) - 120V 20A duplex receptacle with USB combination ports. (1) type A and (1) type C high power 5A, 5V USB outlets. With weatherproof, self-closing cover; located 36" (915mm) o.c. from base of pole, in-line with hand hole. Receptacle is intended only for portable tools or other portable equipment to be connected to outlet only when attended by operating personnel.

USB & Duplex Receptacle (REC4) (not shown) - 120V 20A duplex receptacle with USB combination ports. (1) type A and (1) type C high power 5A, 5V USB outlets. With weatherproof, self-closing padlockable in-use cover; located 36" (915mm) o.c. from base of pole, in-line with hand hole. Receptacle is intended only for portable tools or other portable equipment to be connected to outlet only when attended by operating personnel.

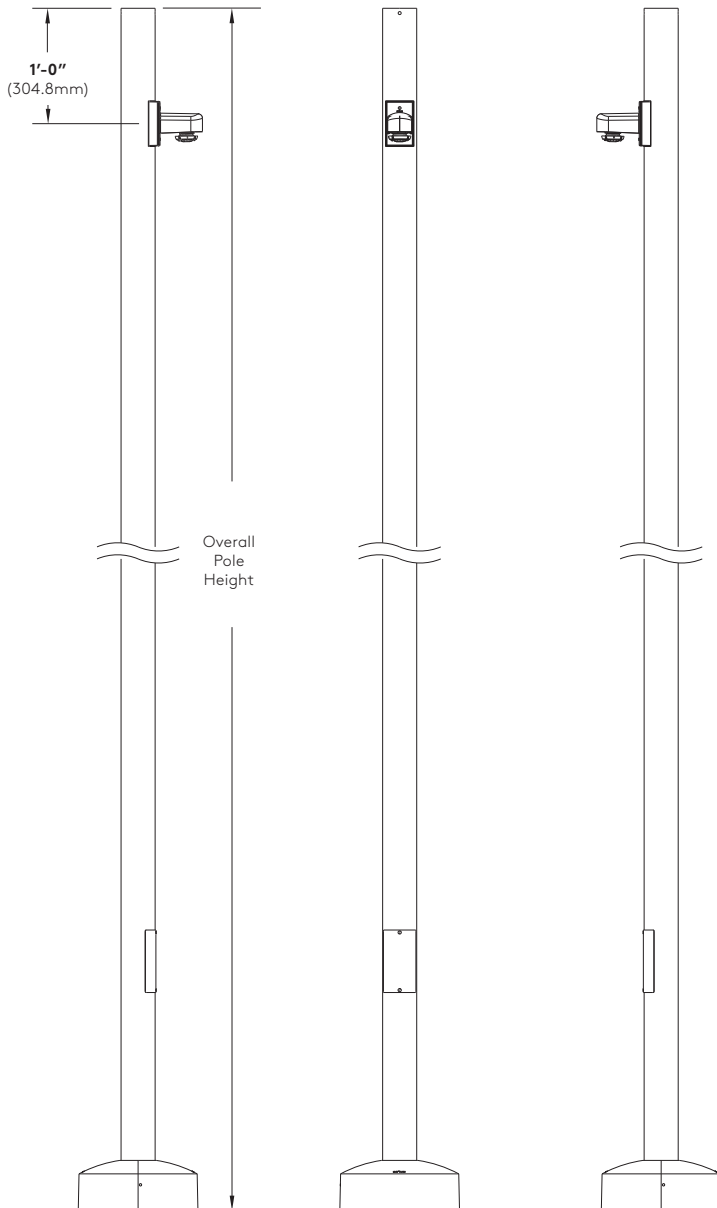
REC3 does not incorporate GFCI (Ground Fault Circuit Interrupter) protection, and shall be powered by a GFCI protected branch circuit (by others).

REC4 does not incorporate GFCI (Ground Fault Circuit Interrupter) protection, and shall be powered by a GFCI protected branch circuit (by others).

Round Pole Motion Sensor

The Selux outdoor rated sensor incorporates Passive Infrared (PIR) Technology for motion sensing and also includes built-in photocell. Sensor comes pre-installed in cast aluminum housing painted to match pole finish.

Series	Optic (270° coverage)	Hand Hole Orientation	Dim Level	Photocell Feature	Voltage
MS Motion Sensor	L (Low 8-12ft height) M (Medium 13-20ft height)	00 0° Clockwise from Hand Hole	D0 (Off)	Y Yes	UNV (120-277V)
		09 90° Clockwise from Hand Hole	D1 (1V=10%)		347* (347V)
		18 180° Clockwise from Hand Hole	D3 (3V=30%)	N No	480* (480V)
		27 270° Clockwise from Hand Hole	D5 (5V=50%)		*consult factory for 347V and 480V



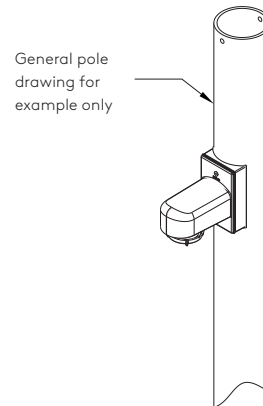
Factory Defaults:

Delay to Dim: 5 minutes

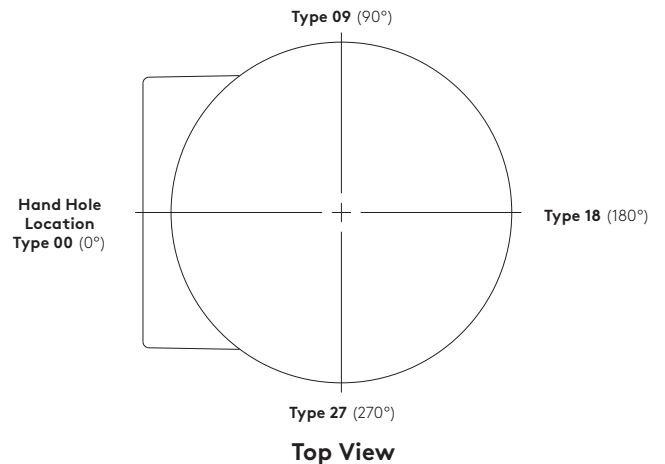
Delay to Off: 1 hour

Sensitivity: Max

Custom Programming: Consult Factory



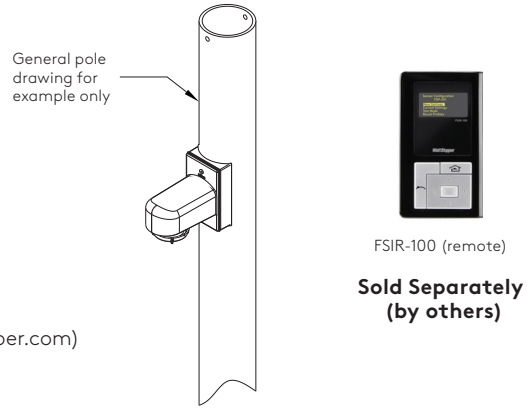
Sensor angular orientation from hand hole 0°
90° increments clockwise around pole (Type 00, 09, 18, 27)



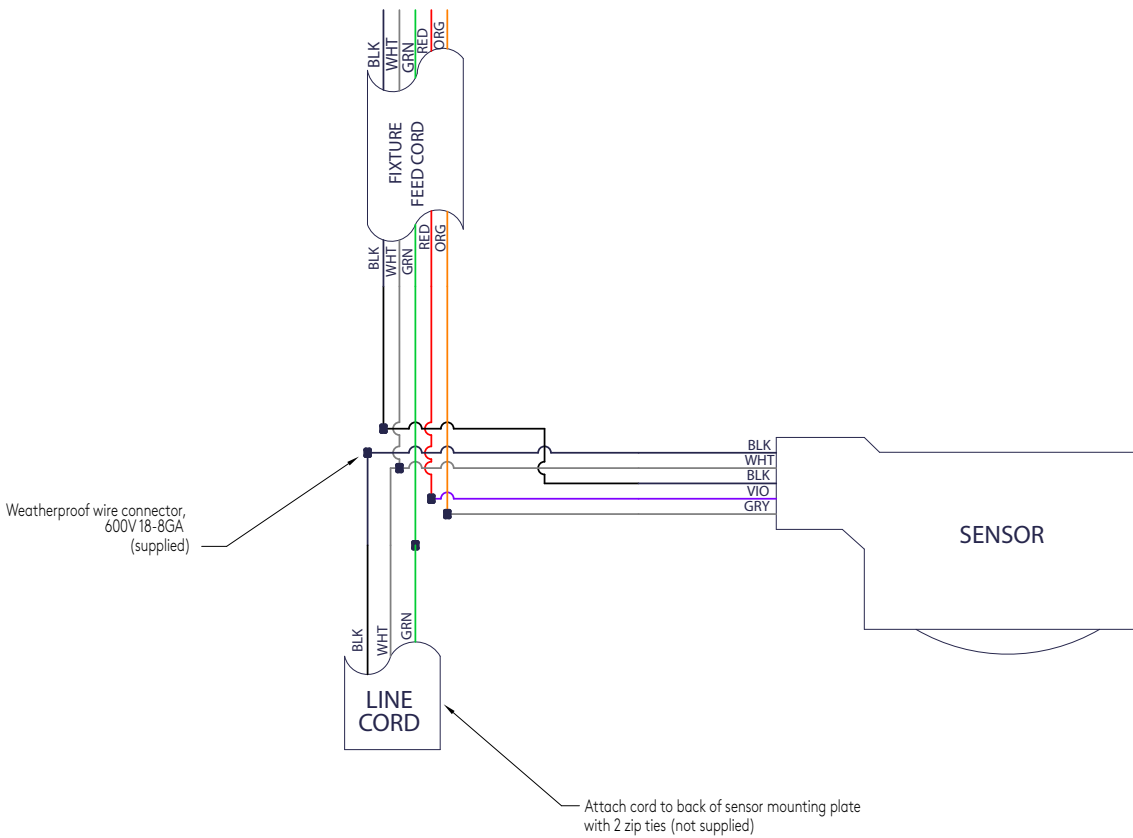
Motion Sensor Features

- Customize programming using handheld wireless remote control (FSIR-100) sold separately (by others)
- 5 Year Warranty
- 100% Digital PIR Detection, excellent RF Immunity
- 270° coverage pattern
- IP66 Rated for outdoor applications
- Made for LED light source
- Adjustable time delays, max/min dim levels, and ramp rates
- Suitable for Title 24 applications

(For coverage details refer to wattstopper FSP-211 spec sheet at www.wattstopper.com)



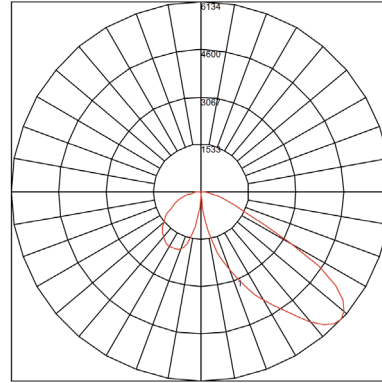
Motion Sensor Option (MS) Wiring (120V-277V)



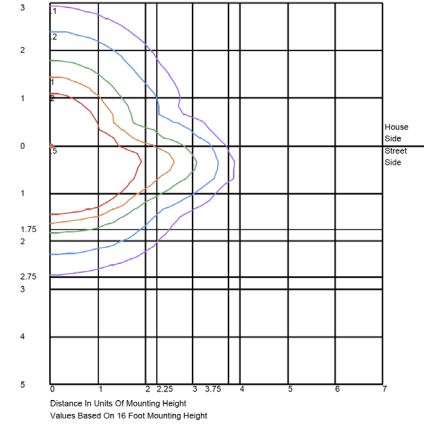
Photometry

R1 Optics / 121W LED / 3000K CCT

Catalog #: MST-R1-5G140-30-SV-UNV.
 Delivered Lumens: 11636lm
 Input Watts: 121W
 Efficacy: 96lm/W
 CCT: 3000K
 CRI (Ra): >80
 Maximum candela of 6134 at 48° from vertical.
 IES classification: Type II
 Mounting Height: 16' (4.9m)
 BUG Rating: B2-U0-G2
 Power Factor: 0.977
 Total Harmonic Distortion: 10.5%



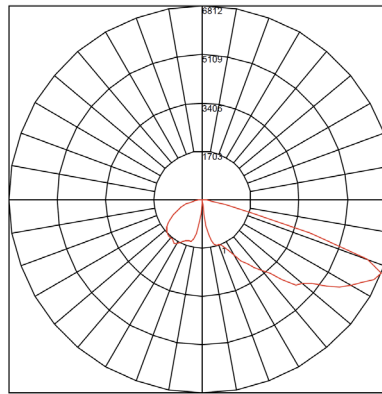
Maximum Candela = 6133.9 Located At Horizontal Angle = 45, Vertical Angle = 47.5
 # 1 - Vertical Plane Through Horizontal Angles (45 - 225) (Through Max. Cd.)



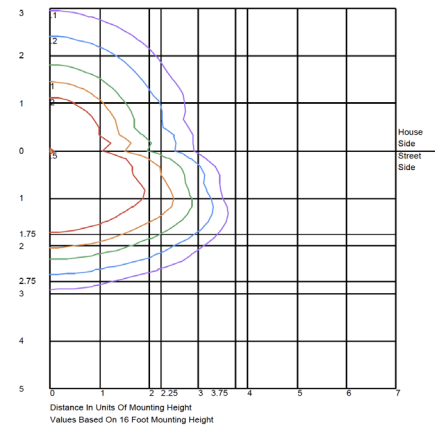
Distance In Units Of Mounting Height
 Values Based On 16 Foot Mounting Height

R2 Optics / 121W LED / 3000K CCT

Catalog #: MST-R2-5G140-30-SV-UNV
 Delivered Lumens: 11860lm
 Input Watts: 121W
 Efficacy: 98lm/W
 CCT: 3000K
 CRI (Ra): >80
 Maximum candela of 6812 at 67.5° from vertical.
 IES classification: Type III
 Mounting Height: 16' (4.9m)
 BUG Rating: B2-U0-G2
 Power Factor: 0.999
 Total Harmonic Distortion: 10.5%



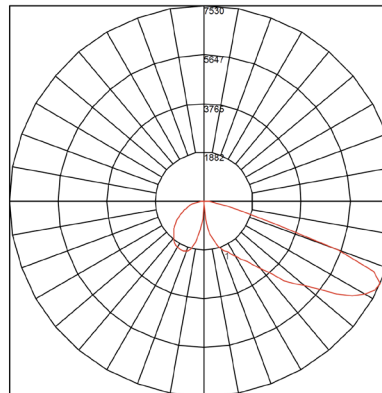
Maximum Candela = 6811.568 Located At Horizontal Angle = 65, Vertical Angle = 67.5
 # 1 - Vertical Plane Through Horizontal Angles (65 - 245) (Through Max. Cd.)



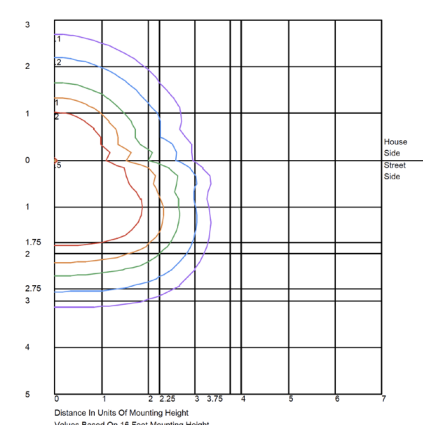
Distance In Units Of Mounting Height
 Values Based On 16 Foot Mounting Height

R3 Optics / 121W LED / 3000K CCT

Catalog #: MST-R3-5G140-30-SV-UNV
 Delivered Lumens: 11798lm
 Input Watts: 121W
 Efficacy: 98lm/W
 CCT: 3000K
 CRI (Ra): >80
 Maximum candela of 7530 at 65° from vertical.
 IES classification: Type III
 Mounting Height: 16' (4.9m)
 BUG Rating: B2-U0-G2
 Power Factor: 0.990
 Total Harmonic Distortion: 10.5%



Maximum Candela = 7529.988 Located At Horizontal Angle = 45, Vertical Angle = 65
 # 1 - Vertical Plane Through Horizontal Angles (45 - 225) (Through Max. Cd.)

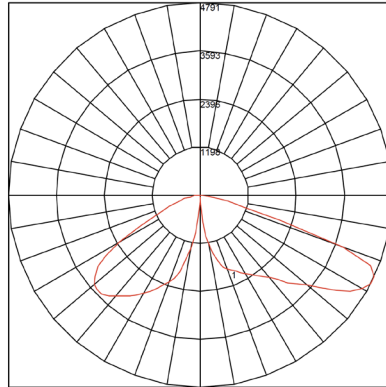


Distance In Units Of Mounting Height
 Values Based On 16 Foot Mounting Height

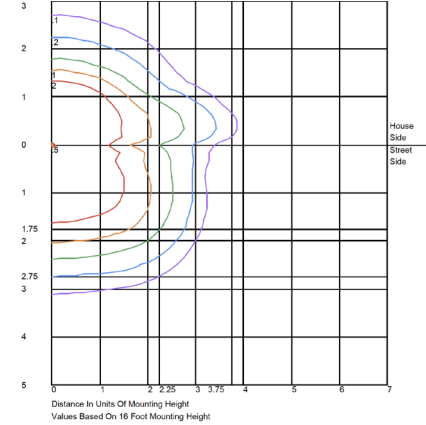
Photometry

R3W Optics / 121W LED / 3000K CCT

Catalog #: MST-R3W-5G140-30-SV-UNV
 Delivered Lumens: 11919lm
 Input Watts: 121W
 Efficacy: 99lm/W
 CCT: 3000K
 CRI (Ra): >80
 Maximum candela of 4791 at 62.5° from vertical.
 IES classification: Type VS
 Mounting Height: 16' (4.9m)
 BUG Rating: B3-U0-G1
 Power Factor: 0.990



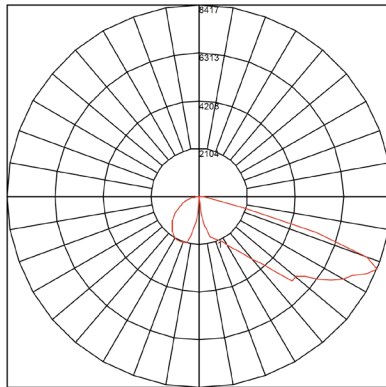
Maximum Candela = 4791.302 Located At Horizontal Angle = 45, Vertical Angle = 62.5
 # 1 - Vertical Plane Through Horizontal Angles (45 - 225) (Through Max. Cd.)



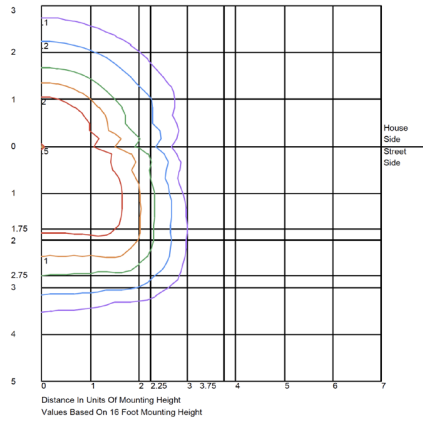
Distance In Units Of Mounting Height
 Values Based On 16 Foot Mounting Height

R4 Optics / 121W LED / 3000K CCT

Catalog #: MST-R4-1-5G140-30-SV-UNV
 Delivered Lumens: 11829lm
 Input Watts: 121W
 Efficacy: 98lm/W
 CCT: 3000K
 CRI (Ra): >80
 Maximum candela of 8417 at 67.5° from vertical.
 IES classification: Type III
 Mounting Height: 16' (4.9m)
 BUG Rating: B2-U0-G2
 Power Factor: 0.990
 Total Harmonic Distortion: 10.5%



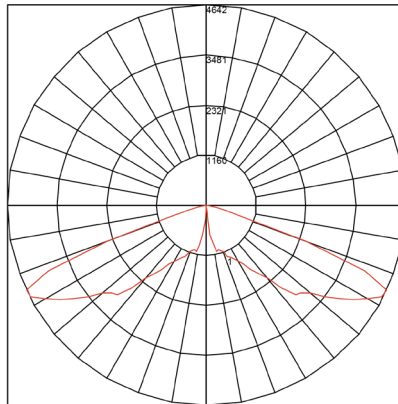
Maximum Candela = 8416.763 Located At Horizontal Angle = 35, Vertical Angle = 67.5
 # 1 - Vertical Plane Through Horizontal Angles (35 - 215) (Through Max. Cd.)



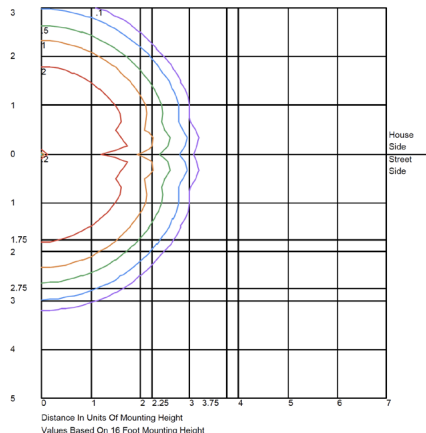
Distance In Units Of Mounting Height
 Values Based On 16 Foot Mounting Height

R5R Optics / 121W LED / 3000K CCT

Catalog #: MST-R5R-5G140-30-SV-UNV
 Delivered Lumens: 12177lm
 Input Watts: 121W
 Efficacy: 101lm/W
 CCT: 3000K
 CRI (Ra): >80
 Maximum candela of 4642 at 65° from vertical.
 IES classification: Type V
 Mounting Height: 16' (4.9m)
 BUG Rating: B3-U0-G1
 Power Factor: 0.990
 Total Harmonic Distortion: 10.5%



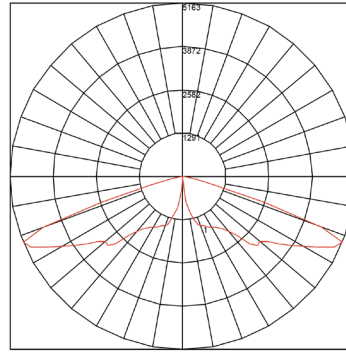
Maximum Candela = 4641.535 Located At Horizontal Angle = 60, Vertical Angle = 65
 # 1 - Vertical Plane Through Horizontal Angles (60 - 240) (Through Max. Cd.)



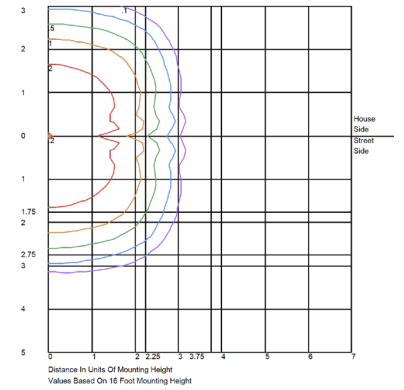
Distance In Units Of Mounting Height
 Values Based On 16 Foot Mounting Height

R5S Optics / 121W LED / 3000K CCT
 Catalog #: MST-R5S-5G140-30-SV-UNV

Delivered Lumens: 12180lm
 Input Watts: 121W
 Efficacy: 101lm/W
 CCT: 3000K
 CRI (Ra): >80
 Maximum candela of 5163 at 67.5° from vertical.
 IES classification: Type VS
 Mounting Height: 16' (4.9m)
 BUG Rating: B3-U0-G2
 Power Factor: 0.990
 Total Harmonic Distortion: 10.5%



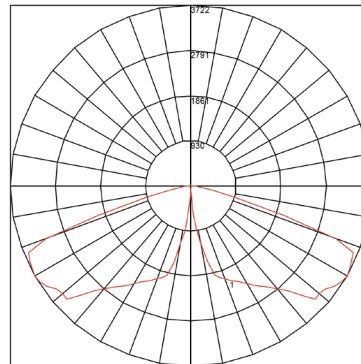
Maximum Candela = 5163.234 Located At Horizontal Angle = 45, Vertical Angle = 67.5
 # 1 - Vertical Plane Through Horizontal Angles (45 - 225) (Through Max. Cd.)



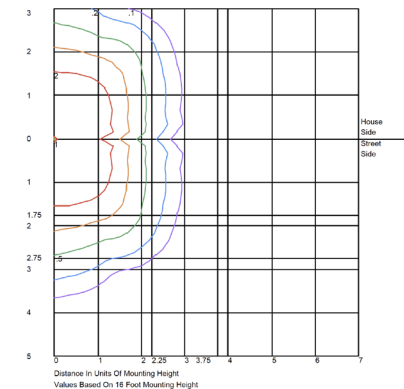
Distance In Units Of Mounting Height
 Values Based On 16 Foot Mounting Height

R5Q Optics / 121W LED / 3000K CCT

Catalog #: MST-R5Q-5G140-30-SV-UNV
 Delivered Lumens: 11801lm
 Input Watts: 121W
 Efficacy: 98lm/W
 CCT: 3000K
 CRI (Ra): >80
 Maximum candela of 3722 at 60° from vertical.
 IES classification: Type VS
 Mounting Height: 16' (4.9m)
 BUG Rating: B3-U0-G3
 Power Factor: 0.990
 Total Harmonic Distortion: 10.5%



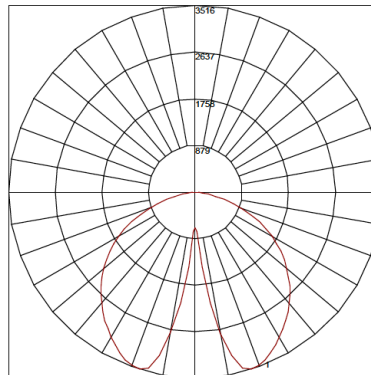
Maximum Candela = 3721.924 Located At Horizontal Angle = 35, Vertical Angle = 60
 # 1 - Vertical Plane Through Horizontal Angles (35 - 215) (Through Max. Cd.)



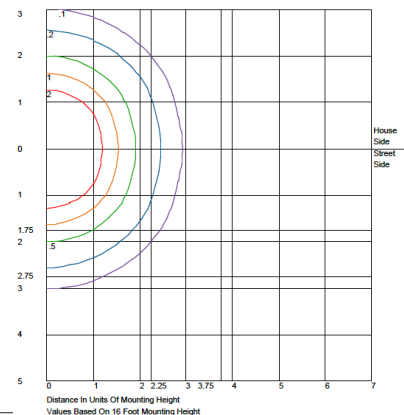
Distance In Units Of Mounting Height
 Values Based On 16 Foot Mounting Height

DG Optics / 129W LED / 3000K CCT

Catalog #: MST-DG-1-MP1400-30K-BK-UNV
 Delivered Lumens: 9544lm
 Input Watts: 129W
 Efficacy: 74lm/W
 CCT: 3000K
 CRI (Ra): >80
 Maximum candela of 3516 at 17.5° from vertical.
 IES classification: Type VS
 Mounting Height: 16' (4.9m)
 BUG Rating: B3-U0-G1
 Power Factor: 0.990
 Total Harmonic Distortion: 10.5%



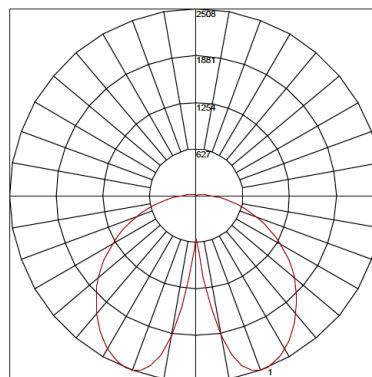
Maximum Candela = 3515.9 Located At Horizontal Angle = 0, Vertical Angle = 17.5
 # 1 - Vertical Plane Through Horizontal Angles (0 - 180) (Through Max. Cd.)



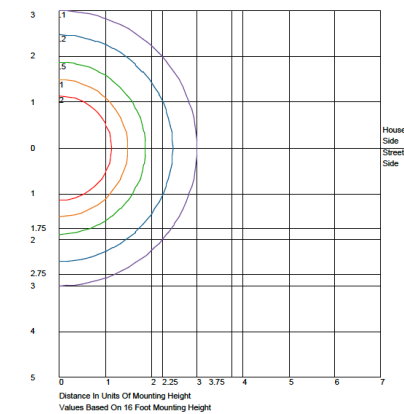
Distance In Units Of Mounting Height
 Values Based On 16 Foot Mounting Height

DB1 Optics / 129W LED / 3000K CCT

Catalog #: MST-DB1-X-5G140-30-XX-UNV
 Delivered Lumens: 8408lm
 Input Watts: 129W
 Efficacy: 65lm/W
 CCT: 3000K
 CRI (Ra): >80
 Maximum candela of 2509 at 22.5° from vertical.
 IES classification: Type VS
 Mounting Height: 16' (4.9m)
 BUG Rating: B2-U0-G1
 Power Factor: 0.990
 Total Harmonic Distortion: 10.5%



Maximum Candela = 2508.404 Located At Horizontal Angle = 0, Vertical Angle = 22.5
 # 1 - Vertical Plane Through Horizontal Angles (0 - 180) (Through Max. Cd.)



Distance In Units Of Mounting Height
 Values Based On 16 Foot Mounting Height

Mistella™ CCT Multiplier	
2700K	0.926
3000K	1.000
4000K	1.063

5Gxxx TM-21 Matrix

TM-21 Lifetime Calculation					
Light Engine	Ambient Temp (°C)	Lumen Maintenance (% at hours)			Reported L ₇₀
		25K	50K	70K	
5G350	25°C	99.8%	99.8%	99.8%	L ₇₀ (12K) > 70,000 hours
	40°C	99.8%	99.8%	99.8%	L ₇₀ (12K) > 70,000 hours
5G530	25°C	99.8%	99.8%	99.8%	L ₇₀ (12K) > 70,000 hours
	40°C	99.8%	99.8%	99.8%	L ₇₀ (12K) > 70,000 hours
5G700	25°C	99.8%	99.8%	99.8%	L ₇₀ (12K) > 70,000 hours
	40°C	99.8%	99.8%	99.8%	L ₇₀ (12K) > 70,000 hours
5G900	25°C	99.8%	99.8%	99.8%	L ₇₀ (12K) > 70,000 hours
	40°C	99.8%	99.8%	99.8%	L ₇₀ (12K) > 70,000 hours
5G105	25°C	99.8%	99.8%	99.8%	L ₇₀ (12K) > 70,000 hours
	40°C	99.1%	98.5%	98.0%	L ₇₀ (12K) > 73,000 hours
5G140	25°C	99.5%	99.2%	99.0%	L ₇₀ (12K) > 73,000 hours
	40°C	98.7%	97.7%	96.8%	L ₇₀ (12K) > 73,000 hours

1. Calculated in accordance with IESNA TM-21-11, projected values are within 6 times (6x) the IESNA LM-80-08 test duration
2. Thermal measurements based on order code: MST-DB1-X-30-XX-BL-UNV

MPxxx TM-21 Matrix

TM-21 Lifetime Calculation						
Ligh Engine	Ambient Temp (°C)	Lumen Maintenance (% at hours)				Reported L ₇₀
		25K	50K	75K	90K	
MP350	25°C	97.5%	95.0%	92.5%	91.0%	L ₇₀ (15K) > 90,000 hours
	40°C	96.4%	93.2%	90.0%	88.2%	L ₇₀ (15K) > 90,000 hours
MP530	25°C	97.5%	95.0%	92.5%	91.0%	L ₇₀ (15K) > 90,000 hours
	40°C	95.8%	91.9%	88.2%	86.1%	L ₇₀ (15K) > 90,000 hours
MP700	25°C	97.5%	95.0%	92.5%	91.0%	L ₇₀ (15K) > 90,000 hours
	40°C	95.1%	90.7%	86.5%	84.0%	L ₇₀ (15K) > 90,000 hours
MP900	25°C	96.9%	94.0%	91.3%	89.7%	L ₇₀ (15K) > 90,000 hours
	40°C	93.7%	88.3%	83.2%	80.3%	L ₇₀ (15K) > 90,000 hours
MP105	25°C	96.4%	93.0%	89.8%	88.0%	L ₇₀ (15K) > 90,000 hours
	40°C	92.8%	85.6%	79.0%	73.2%	L ₇₀ (15K) > 90,000 hours
MP140	25°C	95.1%	90.6%	86.3%	83.8%	L ₇₀ (15K) > 90,000 hours
	40°C	91.8%	83.7%	76.4%	72.3%	L ₇₀ (15K) > 90,000 hours

1. Calculated in accordance with IESNA TM-21-11, projected values are within 6 times (6x) the IESNA LM-80-08 test duration
2. Thermal measurements based on order code: MST-DB1-X-MPxxx-30-XX-BL-UNV

RA2S-7F

LUNA™ LED

2" LUNA™ LED Square Fixed Color Selectable
Recessed Fixture
Recess Lighting

Job Information		
Project Name		Type
Location		
Quantity		Date
Contact/Phone		
Notes		

Features

Body

Durable airtight aluminum body with anodized blue heat sink to provide maximum airflow for the LED light source.

LED Characteristics

This general application light fixture features a 7 watt LED module that maintains uniform intensity producing up to 560 lumens; with a typical CRI of 90. On-fixture color selectable switch allows switching between 2700 K, 3000 K, 3500 K, 4000 K and 5000 K colour temperatures.

Dimming

100%-10% dimming capability. This fixture is compatible with industry standard forward-phase / reverse-phase dimmers (contact factory for list of compatible dimmers).

Beam Spread

The fixture lens provides 40° beam spread.

Mounting

Includes two spring loaded clips to attached to any ceiling material.

LED Driver

Extruded aluminum hardwire box with 170mA dimmable class II electronic LED driver with 100-135V AC input. Includes an 18" FT6 rated cable with DC 2.1 connector between driver and fixture approved for use in plenums and suspended ceilings.

Quick Connect push-in terminals

Three "Quick connect" push-in terminals for fast and easy wiring.

Operating Temperature

-20°C~40°C (-4°F~104°F)

Environment

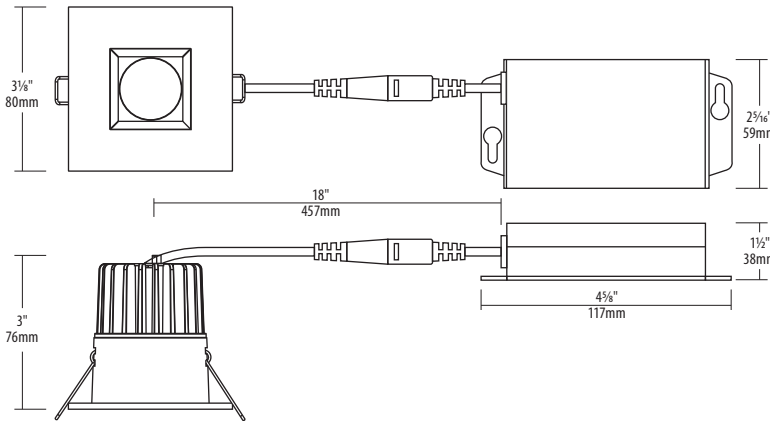
- Suitable for wet locations.
- Approved for direct contact with insulation.
- Airtight

SPECIFICATION	
Application	Ceiling Recess Mount
Approved Location	Wet / Insulated Ceilings
Beam Angle	40°
CCT (color selectable)	2700 K / 3000 K / 3500 K / 4000 K / 5000 K
Certification	cETLus
Class II	Yes
Colour	BK / BN / WH
CRI	90
Dimming	Yes
Dimming Tech	Forward/reverse-phase
Energy Star	Yes
Hole Cut	2½" 2½" (64mm x 64mm)
Input	100-135V AC, 60Hz
Lumens	Up to 560
Lumens per Watt	Up to 79
Power Factor	0.9
Projected Life	70% @ 36,000 hrs
Warranty	Lifetime
Wattage	7W



Description

The RA2S-7F is a 7 watt 2" square fixed recessed light fixture for retrofit application. It is a high-performance, easy to install downlight solution that offers good light output, energy-efficiency and streamlined design. Suitable for wet locations.



JA8
TITLE 24

WET LOCATION
ENDROITS
MOUILLES

IC RATED

AIR
TIGHT

Notes: Accessories are sold separately. For additional options please consult your Liteline representative. Due to our continued efforts to improve our products, product specifications are subject to change without notice.

Ordering Guide

RA2S-7F - 90	Trim Finish
	<input type="text"/>
	BK : Black
	BN : Brushed Nickel
	WH : White

Accessories



SLM-60-FC

60" Flexible connector, for use with SlimLED fixtures.



P-2510

2½" Round pre-mounting plate with driver attachment clip, for 2" LUNA LED fixtures.



P-NCMK-1

New construction mounting kit. Includes hanger bars, brackets and screws.



VBE-1

Vapour barrier extender. For use in new construction applications.



VBE-2

Vapour barrier extender. For use in remodel applications.



VBE-3

Vapour barrier extender. For use in remodel applications.



VBE-4

Vapour barrier extender. For use in remodel applications.



VBE-5

Vapour barrier extender. For use in new construction applications.



LED36W700iP-01 LED36W700iP-01B with Enclosure

Features:

- Damp and dry locations
- High efficiency
- UL Class 2
- ELV Phase dimmable on 120V

AC Input Voltage	120~277V, 50/60Hz
DC Output Voltage	4-52V
DC Output Current	700mA Constant
Output Wattage	36W Max
Power Factor	0.90min
Typical Efficiency	80%
Short Circuit Protection	Yes
Overload Protection	Yes
Over-voltage Protection	Yes
Dimming Function	ELV Dimmable on 120V only (10V DC min for dimming) *4 fixtures minimum
Dimmable(trailing edge)	10% ~ 100%
Ambient Temperature	-30°C (-22°F) min.
Case Temperature	80°C (176°F) max.
Case Material	Aluminum
Weight	385g (0.85lb)

Order Information

Type: _____

Project: _____

Modified: _____

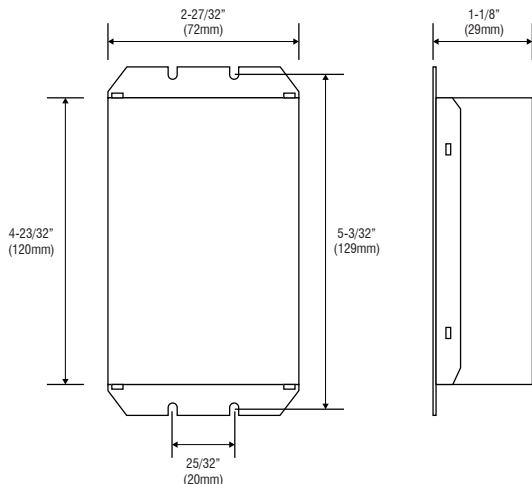
Quantity: _____

Notes: _____

* Consult factory for wiring length and details.

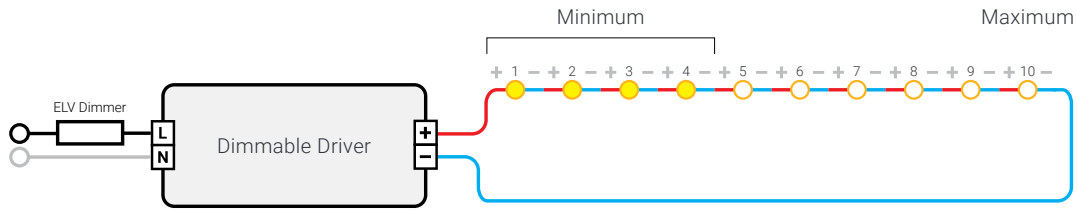
Order Code	Enclosure
LED36W700iP-01	B
	B = drive enclosure (6-1/4" x 5" x 2")

Dimensions



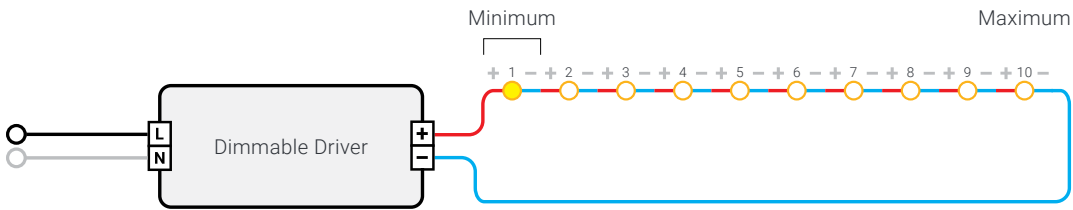
Wiring Diagram

Dimming | For use with 4-10 x 2.5watt LED lighting fixtures (700mA), wired in series.



● 700mA LED Lighting Fixture

Non-Dimming | For use with 1-10 x 2.5watt LED lighting fixtures (700mA), wired in series.



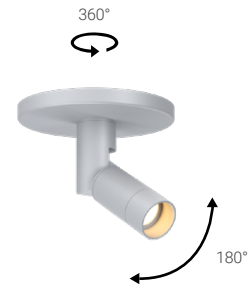
● 700mA LED Lighting Fixture

L730

EXTERIOR | INTERIOR

Spotlight | For surface mount on ground, ceilings & walls

• Wet, Damp, and Dry location



Shown with DS dry location shroud

Ordering Information

Clear Form

Date : _____ Quantity : _____

Project : _____ Note : _____

Type : _____

Specifications

Luminaire | Example Code: L730-2-W30H-S-ELB-WS-S6

Product	Version	CCT & CRI ¹	Beam Angle	Accessories (optional)	Shroud	Finish ²
L730						
	1 1W 2 2.5W	W22S 2200K 80+ W27H 2700K 90+ W30H 3000K 90+ W35H 3500K 90+ W41H 4100K 90+	S spot 12° N narrow flood 30°	ELB eggcrate louver	DS dry location shroud WS wet location shroud	Aluminum Finishes: MA matte clear anodized BA black anodized BZ bronze powder coated Stainless Steel Finish: S6 stainless steel 316

System Components (Ordered Separately)

Remote Driver : _____ Control System : _____

On/Off | Dimming ELV or 0-10 dimming
Other options (consult factory) TRIAC/MLV, DMX, DALI, Casambi, PoE

Important Notes

Specification

1. Refer to pg.2 - Electrical for Colour Consistency details.
2. Refer to Appendix or MP Lighting website for complete look of luminaire with different finish options.

Warranty Notes & Disclaimer

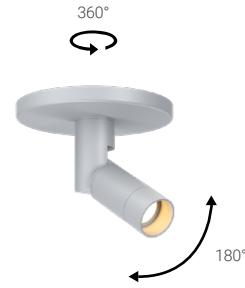
Malfunction and damage to product due to incompatible dimming system or misuse will not be covered under warranty. Consult MP Lighting for recommended drivers. If the fixture has an option to be installed with a dimming control system, consult a dimming system manufacturer with minimum load before installing. MP Lighting reserves the right, at its sole discretion, at any time and without notice, to make design changes to any of our products. Consult MP Lighting website for most updated documentation.

L730

EXTERIOR | INTERIOR

Spotlight | For surface mount on ground, ceilings & walls

• Wet, Damp, and Dry location



Shown with DS dry location shroud

Performance

Wattage	Forward Current	Power Consumption Budget per fixture (including driver)	LED output (Source)	Fixture Output (Delivered)
1W	350mA	1.3W	110 lm	47-56 lm
2.5W	700mA	2.6W	275 lm	90-99 lm

Application

Environment	Wet / Damp / Dry Location approved. IP 66. Wet location shroud (WS) can be specified where proper drainage for water in shroud is required.
Mounting	B4: mounts to standard 4" octagonal back box (supplied by others) or MP Lighting back box (EBX-OCT1, ordered separately)

Electrical

Power Supplies	Remote LED drivers (120-277V AC input, constant current output): Fixtures to be wired in series. Integral driver available with B3 canopy --- Consult factory.
Control	On/off control Dimming: ELV or 0-10V dimming with appropriate drivers Other options (consult factory): TRIAC/MLV, DMX, DALI, Casambi, Power over Ethernet

Luminaire Construction

LED Light Source	W22S = CCT: 2200K, CRI (Ra): 80+, Colour Consistency: 3SDCM W27H = CCT: 2700K, CRI (Ra): 90+, Colour Consistency: 2SDCM W30H = CCT: 3000K, CRI (Ra): 90+, Colour Consistency: 2SDCM W35H = CCT: 3500K, CRI (Ra): 90+, Colour Consistency: 3SDCM (Contact factory for 2SDCM option) W41H = CCT: 4100K, CRI (Ra): 90+, Colour Consistency: 3SDCM
Standard Compliance	✓ADA-compliant ✓WELL standard – Feature 58: Color Quality
Weight	N/A
Material	Fixture: machined marine-grade aluminum or stainless steel 316
Supplied with	N/A
Warranty & LED Life	5 years limited warranty Estimated useful life of LED is 50,000 hours.

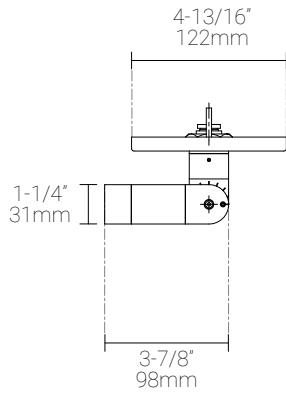
Ordered Separately

System Components	Power supplies: remote driver Please consult factory or visit Recommended Drivers for available driver options.
-------------------	---

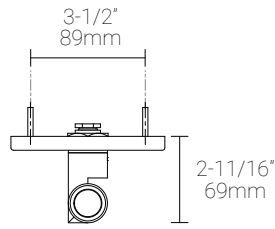
Mounting Options & Dimensions

LED Fixture Dimensions

Fixture



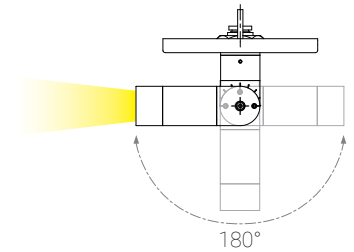
Front View



3D View

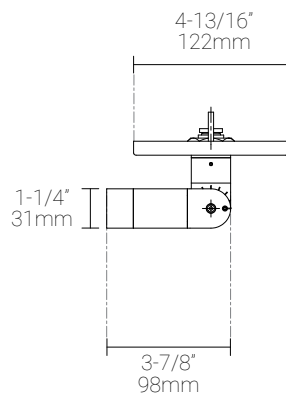


Beam

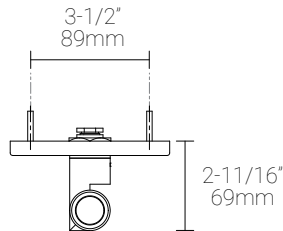


Ceiling Installation shown with MP Lighting back box (EBX-OCT1)

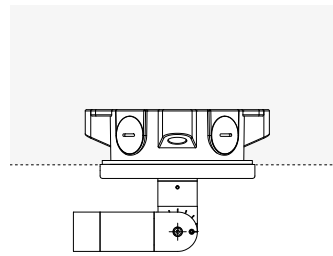
Fixture with B4 canopy



Front view with B4 canopy

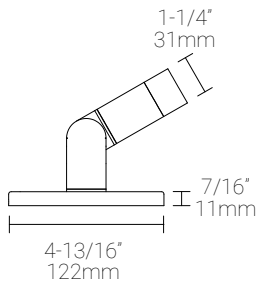


Ceiling(surface) Installation with B4 canopy & Back Box

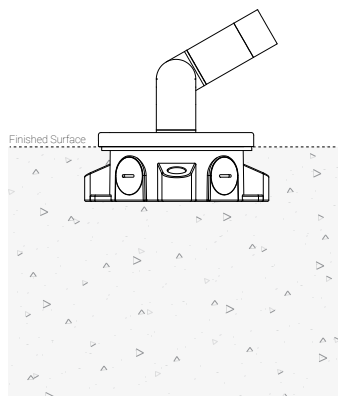


Ground Installation shown with MP Lighting back box (EBX-OCT1)

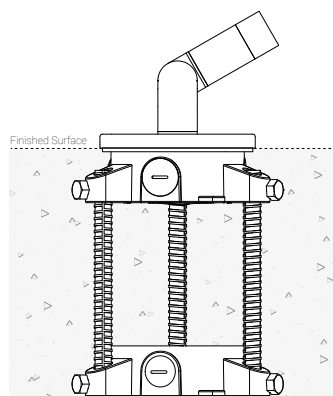
Ground Installation with B4 canopy & Back Box



Ground Installation with B4 canopy & Back box

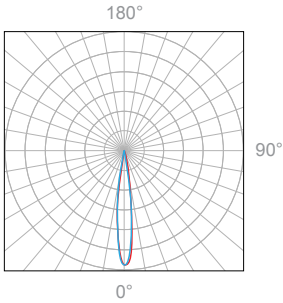


Ground Installation with B4 canopy, Back box & MK3

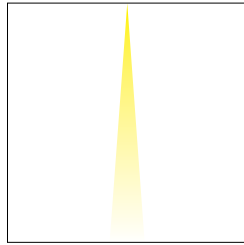


1W, 3000K, 90+ CRI

Polar Candela Distribution



Beam Width: 12°



Illuminance at a Distance

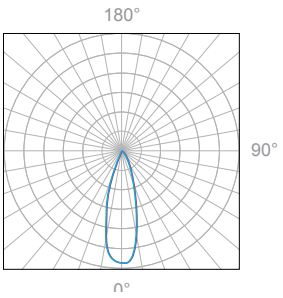
Distance		Center Beam fc	Beam Width			
1.0ft	0.30m	333fc	0.3ft	0.09m	0.3ft	0.09m
2.0ft	0.61m	94fc	0.7ft	0.21m	0.7ft	0.21m
3.0ft	0.91m	41fc	1.0ft	0.30m	1.0ft	0.30m
4.0ft	1.22m	22fc	1.3ft	0.40m	1.3ft	0.40m
5.0ft	1.52m	15fc	1.7ft	0.52m	1.7ft	0.52m
6.0ft	1.83m	10fc	2.1ft	0.64m	2.1ft	0.64m

Delivered Lumen: 65lm

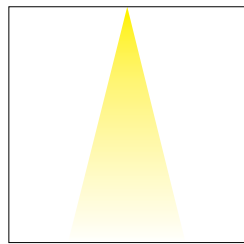
■ Vertical Beam Spread: 19.4°

■ Horizontal Beam Spread: 19.4°

Polar Candela Distribution



Beam Width: 30°



Illuminance at a Distance

Distance		Center Beam fc	Beam Width			
1.0ft	0.30m	209fc	0.5ft	0.15m	0.5ft	0.15m
2.0ft	0.61m	56fc	1.0ft	0.30m	1.0ft	0.30m
3.0ft	0.91m	26fc	1.5ft	0.46m	1.5ft	0.46m
4.0ft	1.22m	14fc	2.0ft	0.61m	2.0ft	0.61m
5.0ft	1.52m	9fc	2.5ft	0.76m	2.5ft	0.76m
6.0ft	1.83m	7fc	3.1ft	0.95m	3.1ft	0.95m

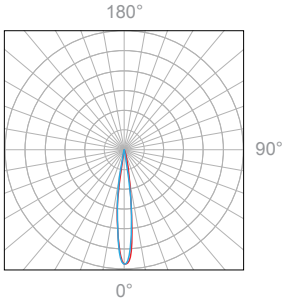
Delivered Lumen: 75lm

■ Vertical Beam Spread: 28.5°

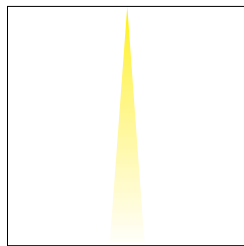
■ Horizontal Beam Spread: 28.7°

2W, 3000K, 90+ CRI

Polar Candela Distribution



Beam Width: 12°



Illuminance at a Distance

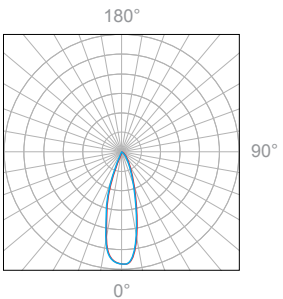
Distance		Center Beam fc	Beam Width			
1.0ft	0.30m	593fc	0.3ft	0.09m	0.3ft	0.09m
2.0ft	0.61m	166fc	0.7ft	0.21m	0.7ft	0.21m
3.0ft	0.91m	70fc	1.0ft	0.30m	1.0ft	0.30m
4.0ft	1.22m	40fc	1.3ft	0.40m	1.3ft	0.40m
5.0ft	1.52m	26fc	1.7ft	0.52m	1.7ft	0.52m
6.0ft	1.83m	18fc	2.0ft	0.61m	2.0ft	0.61m

Delivered Lumen: 129lm

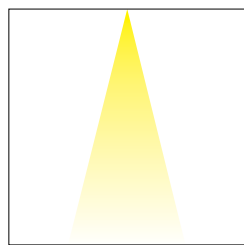
■ Vertical Beam Spread: 19.0°

■ Horizontal Beam Spread: 19.0°

Polar Candela Distribution



Beam Width: 30°



Illuminance at a Distance

Distance		Center Beam fc	Beam Width			
1.0ft	0.30m	384fc	0.5ft	0.15m	0.5ft	0.15m
2.0ft	0.61m	104fc	1.0ft	0.30m	1.0ft	0.30m
3.0ft	0.91m	45fc	1.5ft	0.46m	1.5ft	0.46m
4.0ft	1.22m	25fc	2.0ft	0.61m	2.0ft	0.61m
5.0ft	1.52m	16fc	2.5ft	0.76m	2.5ft	0.76m
6.0ft	1.83m	12fc	3.0ft	0.91m	3.0ft	0.91m

Delivered Lumen: 149lm

■ Vertical Beam Spread: 28.3°

■ Horizontal Beam Spread: 28.3°

Appendix

Mounting & Finish Options



MA matte clear anodized



BA black anodized



BZ bronze powder coated



S6 stainless steel 316

Shroud Options



DS dry location shroud



WS wet location shroud

Accessories



ELB eggcrate louver, black

FEATURES & SPECIFICATIONS

INTENDED USE — Built on the compact, low-profile Z strip channel, this LED strip offers long maintenance-free life, several color temperatures, lumen outputs and lengths. Ideal for new construction and retrofit applications in T8 lengths. Ideal for use in commercial, retail, office, warehouse, and display applications. **Certain airborne contaminants can diminish the integrity of acrylic and/or polycarbonate.** [Click here for Acrylic-Polycarbonate Compatibility table for suitable uses.](#)

CONSTRUCTION — Compact-design channel and cover are formed from code-gauge cold-rolled steel. Easy to install six-point row aligner included for continuous row mounting.

Finish: Paint options include high-gloss, baked white enamel (WH), galvanized (GALV), matte black (MB) and smoke gray (SKGY). After fabrication, five-stage iron phosphate pre-treatment ensures superior paint adhesion and rust resistance.

OPTICS — Replaceable diffuse lens eliminates pixelation and offers ingress protection from debris.

ELECTRICAL — Utilizes high-output LEDs integrated on a two-layer circuit board, ensuring cool-running operation. Optional internal pluggable wiring harness for reduced labor cost in row mounting applications (see PLR_ordering information below). Electronic LED driver is rated for 75 input watts maximum (see Operational Data on page two for actual wattage consumption), **multi-volt input and 0-10V dimming standard.** This fixture is designed to withstand a maximum line surge of 1.5KV AT 0.75KA combination wave for indoor locations, for applications requiring higher level of protection additional surge protection must be provided.

LEDs provide nominal 80CRI or 90CRI at 3000 K, 3500 K, 4000 K or 5000 K.

Lumen output up to 1,500 lumens per foot. Luminaire should be installed in applications where ambient temperatures do not exceed 86 °F (30 °C).

INSTALLATION — Fixture may be surface mounted (with or without ZSPRG hanger), pendant or stem mounted with appropriate mounting options. Six-point aligner locks in place for easy continuous row mounting.

LISTINGS — CSA certified to US and Canadian safety standards. For use in damp locations between -4°F (-20°C) and 86°F (30°C).

BUY AMERICAN — Product with the BAA option is assembled in the USA and meets the Buy America(n) government procurement requirements under FAR, DFARS and DOT. Please refer to www.acuitybrands.com/buy-american for additional information.

WARRANTY — 5-year limited warranty. Complete warranty terms located at: www.acuitybrands.com/support/warranty/terms-and-conditions

Note: Actual performance may differ as a result of end-user environment and application.

All values are design or typical values, measured under laboratory conditions at 25 °C.

Specifications subject to change without notice.

Catalog Number
Notes
Type



Architectural LED Striplight

ZL1F

24", 48" and 96" Lengths



A+ Capable Luminaire

This item is an A+ capable luminaire, which has been designed and tested to provide consistent color appearance and out-of-the-box control compatibility with simple commissioning.

- All configurations of this luminaire meet the Acuity Brands' specification for chromatic consistency
- This luminaire is part of an A+ Certified solution for nLight® or XPoint™ Wireless control networks marked by a shaded background*

To learn more about A+, visit www.acuitybrands.com/aplus.

*See ordering tree for details

ZL1F LED Striplight



A+ Capable options indicated by this color background.

ORDERING INFORMATION

Lead times will vary depending on options selected. Consult with your sales representative.

Example: ZL1F L48 3000LM MDD MVOLT 40K 80CRI WH

Series	Length	Reflectors ¹	Nominal lumens ²	Diffuser	Voltage	Color temperature
ZL1F LED striplight	L24 24"	(blank) Less reflector	1500LM 1,500 lumens	MDD Medium diffuse	MVOLT 120-277V	30K 3000 K
		SMR Symmetric	2250 LM 2,250 lumens		120 120V	35K 3500 K
			3000 LM 3000 lumens		208 208V	40K 4000 K
	L48 48"	(blank) Less reflector	3000LM 3,000 lumens		240 240V	50K 5000 K
ASR Asymmetric		4500 LM 4500 lumens	277 277V			
		SMR Symmetric	6000 LM 6000 lumens		347 347V ³	
TZL1F LED striplight	L96 96"	(blank) Less reflector	6000LM 6,000 lumens		480 480V ³	
		SMR Symmetric	9000LM 9,000 lumens			
			12000LM 12,000 lumens			

Color rendering index	Options	Paint finish
80CRI 80 CRI	PLR Plug-in wiring ^{4,5}	WH White GALV Galvanized MB Matte black SKGY Smoke gray
90CRI 90 CRI	PLR1LVG Plug-in wiring-low voltage ^{4,5}	
	E7W Emergency battery pack, 7W CA Title 20 Noncompliant ^{6,7}	
	2E7W Two Emergency battery packs, 7W CA Title 20 Noncompliant ^{6,7,8}	
	E10WLCP Emergency battery pack, 10W Linear Constant Power, Certified in CA Title 20 MAEDBS ^{6,7}	
	2E10WLCP Two Emergency battery packs, 10W Linear Constant Power, Certified in CA Title 20 MAEDBS ^{6,7,8}	
	E15WLCP Emergency battery pack, 15W Linear Constant Power, Certified in CA Title 20 MAEDBS ^{6,7,8}	
	OUTEND Cord set to exit endplate of fixture	
	BAA Buy America(n) Act Compliant	
	Cord sets: ⁹ CS1W Straight plug, 120V CS3W Twist-lock, 120V CS7W Straight plug, 277V CS11W Twist-lock, 277V CS25W Twist-lock, 347V CS97W Twist-lock, 480V CS93W 600V SEOWW white cord, no plug (no voltage required)	

Accessories: Order as separate catalog number.	
HC36 M12	Hanger chain, 36" (1 pair)
ZACVH M100	Adjustable 10' aircraft cable with Y hanger (1 pair)
ZLANGBKT	Luma-Tilt™ angle bracket for shelf or ledge mounting only
ZSPRG J2	Tong and T-grid hanger, for 15/16" T-grid (1 pair)
SQ_	Swivel stem hanger (specify length in 2" increments up to 48")
LSXR	Sensor Switch® LSXR occupancy sensor ⁴
NPP16D	nLight® switching/dimming module

Reflectors: Order as separate catalog number.	
ZLR L24 SYM UPL WH	24" symmetric reflector with uplight, white finish
ZLR L24 SYM WH	24" symmetric reflector, white finish
ZLR L46 SYM UPL WH	46" symmetric reflector with uplight, white finish
ZLR L46 SYM WH	46" symmetric reflector, white finish
ZLR L48 ASY WH	48" asymmetric reflector, white finish
ZLR L48 SYM UPL WH	48" symmetric reflector with uplight, white finish
ZLR L48 SYM WH	48" symmetric reflector, white finish
ZLR L92 SYM UPL WH	92" symmetric reflector with uplight, white finish
ZLR L92 SYM WH	92" symmetric reflector, white finish
ZLR L96 SYM UPL WH	96" symmetric reflector with uplight, white finish
ZLR L96 SYM WH	96" symmetric reflector, white finish
UNIVERSAL REFL ALIGNER	Universal reflector aligners, quantity 1

Notes

- Optional. Reflectors ship separately.
- See Operational Data on page 3 for actual lumens.
- Not available with L24, 24" fixture. 347V and 480V utilize a step-down transformer.
- See ordering information on page 5. When choosing sensor options and PLR configuration, contact factory representative.
- Not available with cordsets.
- Not available with L24, 24" fixture. See spec sheet PS1055LCP, PS1555LCP and PS750L for more information.
- Must specify voltage. 120, 208, 240, or 277V.
- Only available with the 8' (96") fixtures.
- Cordsets exit back of fixture unless OUTEND option is specified. Must specify voltage (not required when ordering CS93W).

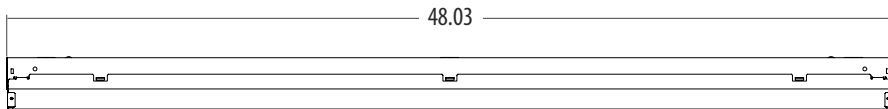
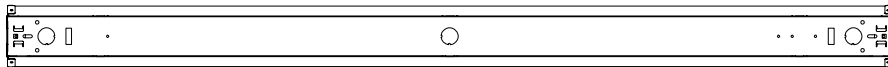
ZL1F LED Striplight

OPERATIONAL DATA												
	Nominal lumen package	Length (inches)	Delivered Lumens 3000 K CCT @ 77°F (25°C) ambient temperature		Delivered Lumens 3500 K CCT @ 77°F (25°C) ambient temperature		Delivered Lumens 4000 K CCT @ 77°F (25°C) ambient temperature		Delivered Lumens 5000 K CCT @ 77°F (25°C) ambient temperature		Wattage @ 120V/277V	Comparable Light Source
			80 CRI	90 CRI	80 CRI	90 CRI	80 CRI	90 CRI	80 CRI	90 CRI		
Lensed	1500LM	24	1281	1045	1310	1081	1330	1102	1379	1126	15	1-lamp 17W T8
	2250LM	24	1822	1486	1863	1538	1892	1567	1961	1602	19	1-lamp 17W T8
	3000LM	24	2623	2139	2682	2214	2724	2256	2824	2306	30	1-lamp 17W T8
	3000LM	48	2629	2144	2688	2219	2730	2261	2830	2311	30	1-lamp 17W T8
	4500LM	48	3714	3028	3796	3134	3856	3193	3997	3264	39	1-lamp 32W T8, 1-lamp 54W T5H0, 50W HID
	6000LM	48	4976	4057	5087	4200	5166	4279	5357	4374	56	1-lamp 32W T8, 1-lamp 54W T5H0, 70W HID
	6000LM	96	5143	4193	5257	4340	5339	4422	5536	4520	56	2-lamp 32W T8, 1-lamp 54W T5H0, 70W HID
	9000LM	96	7226	5891	7387	6098	7502	6214	7778	6352	77	3-lamp 32W T8, 2-lamp 54W T5H0, 100W HID
12000LM	96	10000	8153	10223	8439	10382	8599	10764	8790	114	4-lamp 32W T8, 2-lamp 54W T5H0, 100W HID	

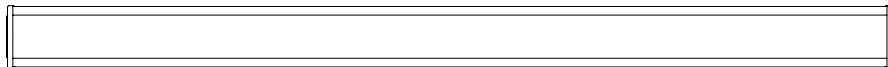
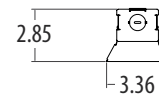
DIMENSIONS

All dimensions are shown in inches (centimeters) unless otherwise noted.
Specifications subject to change without notice.

PALLET DIMENSIONS			
Length	Approximate weight	Fixtures per pallet	Approximate pallet dimensions (L x W x H)
L24	9 lbs.	96	46" X 51" X 32 5/16"
L48	18 lbs.	48	46" X 51" X 32 5/16"
L96	35 lbs.	48	46" X 98 1/2" X 32 1/16"

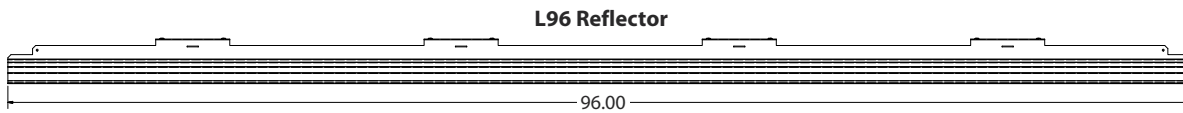
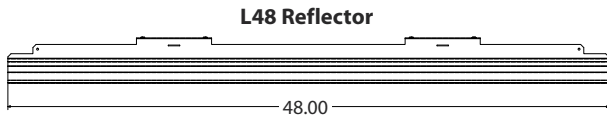
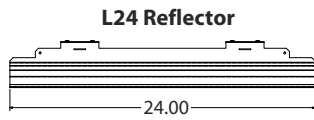


Knockout hole is .86in in diameter.



ZL1F LED Striplight

REFLECTORS (Optional)



PHOTOMETRICS

Please see www.lithonia.com

OPTIONS AND ACCESSORIES

The Z Series fixture offers numerous options for almost every electrical and optical component, including a long list of field-installable accessories.

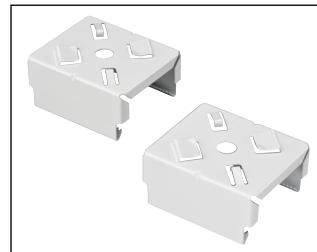


HANGER CHAIN

36" chain with Y hanger.

Order as:

HC36

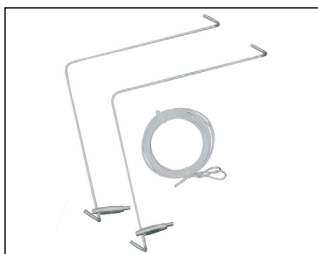


Z SPRING HANGER

Snap 'n' lock design requires no fasteners and can be used on T-grid ceiling or universal mounting systems.

Order as:

ZSPRG

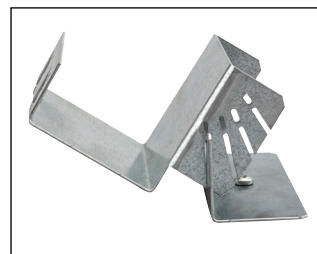


ZACVH HANGER

10' Aircraft cable with Y hanger.

Order as:

ZACVH



ANGLE MOUNTING BRACKET

Luma-tilt™ angle bracket ships as a pair

Order as:

ZLANGBKT

ZL1F LED Striplight

PRODUCT INFORMATION

Advanced plug-in system with two-circuit capability. Available on industrial and strip products and a variety of architectural products mounted in continuous rows. 1, 2, 3 and 4-lamp fixtures. PLR22 (2-circuit) and crossover harness switches hot circuit serving next fixture in row. Reduces fixture types on job for alternating circuit applications (see example below.)

Easy one-step installation, saves up to 35% on labor costs. Expanded switching flexibility helps save energy.

Rows can be 50% longer with two-circuit systems. Polarized, lock-together nylon connectors prevent miswiring in the field. #12 THHN conductor, rated 600V, 90°C. White neutral wire included. Grounding accomplished by fixture in-row connectors.

CSA certified systems available with up to 2 circuits. G ground required.

Note: Specifications subject to change without notice.



Wiring

PLR

Advanced 1 or 2-Circuit Plug-In

ORDERING INFORMATION

Lead times will vary depending on options selected. Consult with your sales representative.

Series	Number of hot wires	Branch circuits	Dimming	Ground
PLR	(blank) Not required for 22	<u>Circuits to which ballast is connected</u>	LV Low-voltage dimming	G Ground
PLR22	1 Black 2 Black and red	(blank) Not required for 22 A Black wire B Red wire		

Typical Applications

- Multiple-circuit and single-circuit for longer continuous rows
- Multiple-circuit with alternating fixtures on separate circuits and 2-circuit (PLR 22)
- Multiple circuit with night-lights located along row as desired

PRODUCT INFORMATION

A standard occupancy time delay is also present to ensure lights turn off (once minimum on timer has also elapsed) if no occupancy is detected.

This timer is factory set at 10 minutes to promote energy savings, but is adjustable between 30 seconds and 30 minutes. These adjustments may be done through the unit's push-button.

FEATURES

- Four interchangeable lenses - high mount 360°, low mount 360°, high mount aisleway, and small motion 360°.
- Integrated mounting bracket drops lens down 3" from chase nipple - no bracket accessory required.
- 100% digital PIR detection - provides excellent RF immunity

Note: Specifications subject to change without notice.

Passive Infrared Indoor Occupancy Sensor



LSXR

Single Relay

sensorswitch

ORDERING INFORMATION

Lead times will vary depending on options selected. Consult with your sales representative.

Example: LSXR 10 ADC HVOLT 30M

LSXR		Lens option				Dimming/photocell	
Series							
LSXR	Passive Infrared Indoor Occupancy Sensor	(blank)	No lens	610	High and low mount 360°	(blank)	None
		6	High mount, 360°	650	High mount 360° and aisleway	HL	High/low occupancy operation
		10	Low mount, 360°	3PK	High and low mount 360° and aisleway	P	Switching photocell (on/off)
		50	High mount aisleway	4PK	All lenses	ADC	Dimming and switching photocell
		9	Small motion, 360°			ANL	Dimming and switching photocell with high/low occupancy operation
Voltage	Max dim level	Min dim level		Lead length	Temp humidity		Default time delay
(blank) 120-277 VAC (MVOLT)	(blank) 10 VDC	(blank)	Minimum dimming level of ballast	(blank) 14"	(blank)	None	(blank) 10 minutes (with minimum 15 minutes on time)
HVOLT 347-480 VAC	9H 9 VDC	1V	1 VDC	42L 42"	LT	Low temperature	5M 5 minutes (LED only)
	8H 8 VDC	2V	2 VDC				15M 15 minutes
	7H 7 VDC	3V	3 VDC				20M 20 minutes
		4V	4 VDC				30M 30 minutes
		5V	5 VDC				
		6V	6 VDC				

For additional information see www.lithonia.com



FCSL2041



FCSL2041 13" exterior die-cast aluminum step light with heavy walled die-cast faceplate, for masonry or drywall construction. IP68 rated for damp, dry or wet locations.



SPECIFICATIONS

PHYSICAL

dimensions	13" W x 4.5" H x 3.9" D
weight	5 lbs
housing	Marine grade, corrosion resistant, heavy walled, high pressure, die-cast aluminum with snap-in Screwless faceplate standard. Optional captive recessed stainless steel tamper resistant screws (TRS) (torx pin heads w/tool provided). Back Box is high strength black plastic, F1 UV resistant, UL945VA rated.
lens / optic	White glass lens
mounting	Concrete pour / masonry, solid composite / special construction, and drywall construction mounting kit included. Hanger bar mounting optional.
ingress protection	Optical / driver unit is IP68 rated dry, damp or wet locations. All seals are injection molded silicone.
faceplate finish	Die cast aluminum faceplate. Six stage chemical iron phosphate conversion pre-treatment. Polyester powder coat finish, 18 µm Min., 5000hr salt spray test (ASTM B117) compliant with Florida / AAMA 2604 specification.

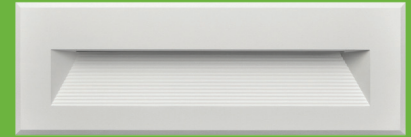
PERFORMANCE

color temperature	2700K	3000K	3500K	4000K	5000K	Amber	Red	Blue
lifetime	> 70,000 hours / L70 or better							
color consistency	3 SDCM / 85 CRI (White)							
operating temperature	-13°F to 104°F (-30°C to 40°C)							
warranty	5-Year limited warranty (refer to website for details)							

ELECTRICAL

input voltage	Universal 120–277V AC
power supply	integral, electronic high-power factor > 94% @120V, THD of ≤ 20%
standards	cETLus
power consumption	13W (398 lm), 19W (568 lm)
dimming	standard: 0-10V dimming (10% minimum) optional: TRIAC dimming (120V only), 0-10V dimming (1% minimum)

Due to continuous development and improvements, specifications are subject to change without notice. FC Lighting reserves the right to change lab test details or specifications without notice. Product use certifies agreement to FC terms and conditions.



Ordering Information

PART NUMBER

MODEL	VOLTAGE	CCT	CRI	LUMENS	FINISH	OPTIONS
FCSL2041	UNV 120V-277V	27K 2700K	CRI85 85 CRI	4L 398 lm (13W)	BK Black	(blank) 0-10V Dimming - 10% minimum
	347V 347V (Remote only)	3K 3000K		6L 568 lm (19W)	BZ Bronze	ET TRIAC Dimming (120V only)
	120V 120V (for ET option)	35K 3500K			SL Silver	TRS Tamper Resistant Screws (Torx Pin)
		4K 4000K			WH White	HB Hanger Bar (Drywall Mounting)
		5K 5000K			CC Custom Color	LBB ¹ Less Back Box - for shipment separate of Back Box

STATIC COLORS

FCSL2041	UNV 120V-277V	AMB Amber >560nm (6.4W)	N/A	N/A	BK Black	(blank) 0-10V Dimming - 10% minimum
	347V 347V (Remote only)	RED Red (6.4W)	N/A	N/A	BZ Bronze	ET TRIAC Dimming (120V only)
	120V 120V (for ET option)	BLU Blue (6.4W)	N/A	N/A	SL Silver	TRS Tamper Resistant Screws (Torx Pin)
					WH White	HB Hanger Bar (Drywall Mounting)
					CC Custom Color	LBB ¹ Less Back Box - for shipment separate of Back Box

BACK BOX KITS

- A2000-BB-ETL** Back Box Kit - Complete Back Box shipped with mounting kit, shipped in advance of fixture.
 - A2000-BB-ETL-HB** Back Box Kit w/ Hanger Bar - Includes (#A2000-BB-ETL) Complete Back Box shipped with mounting kit and Hanger Bar (HB), shipped in advance of fixture.
- ¹ Note: Fixture must be mounted into FC Lighting supplied Back Box shipped with or separate of fixture.

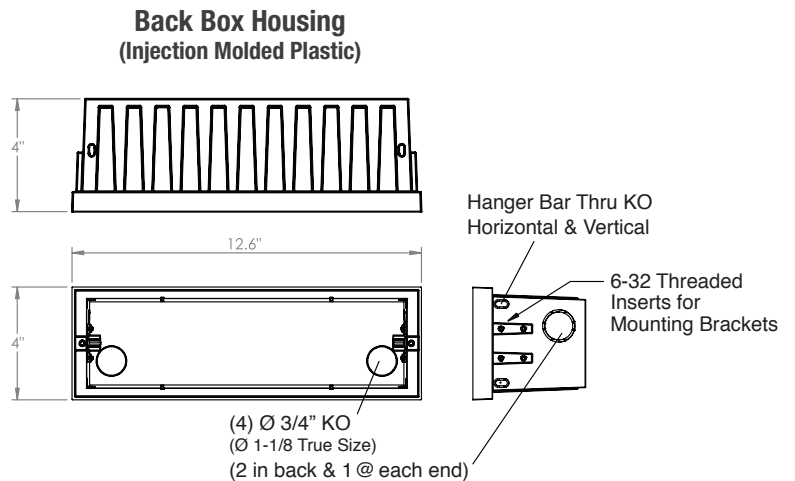
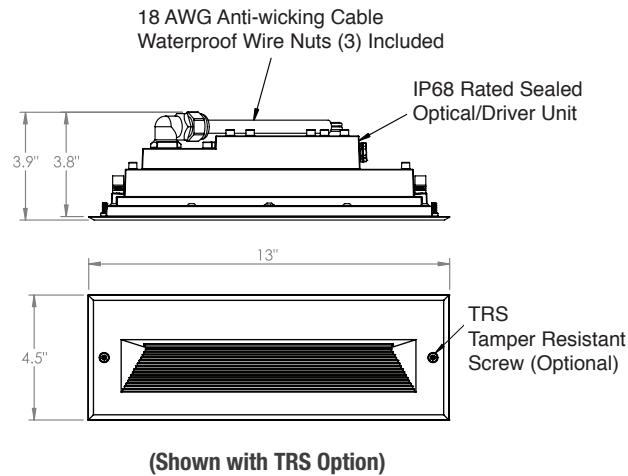
PRODUCT DIMENSIONS

width	13" W
height	4.5" H
depth	3.9" D

MOUNTING

back box width	12.6" W
back box height	4" H
back box depth	4" D

FCSL2041



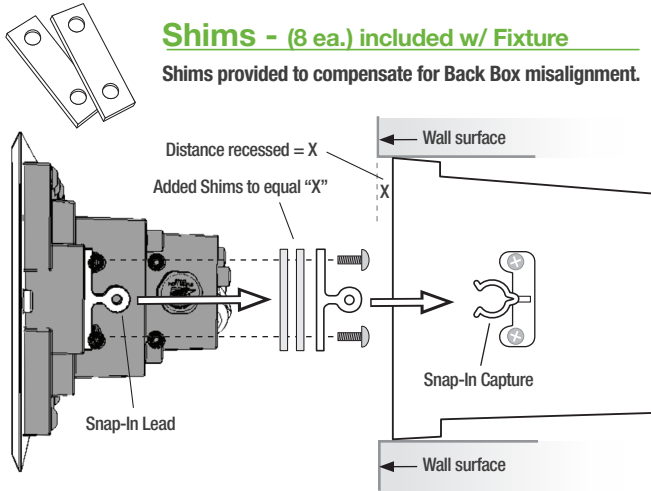
Due to continuous development and improvements, specifications are subject to change without notice. FC Lighting reserves the right to change lab test details or specifications without notice. Product use certifies agreement to FC terms and conditions.



BACK BOX ASSEMBLIES & OPTIONS

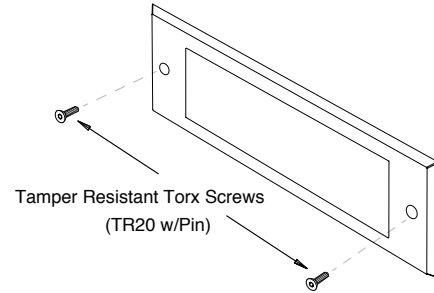
Shims - (8 ea.) included w/ Fixture

Shims provided to compensate for Back Box misalignment.

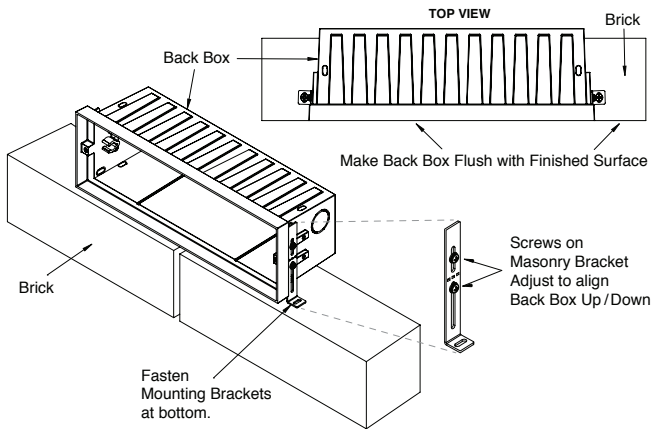


Optional - Tamper Resistant Screws (TRS)

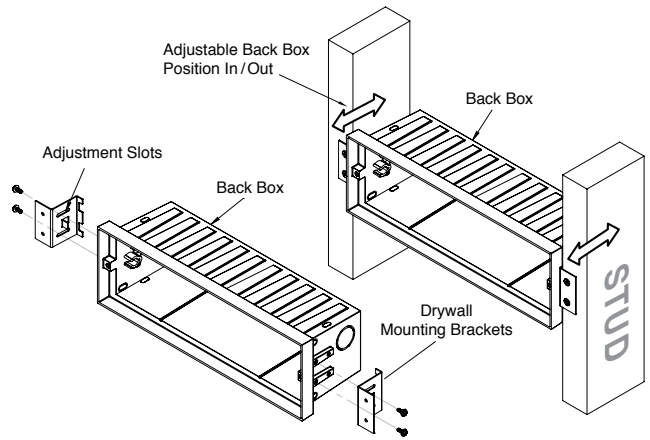
Torx screws w/ pin, finished to compliment faceplate finish.



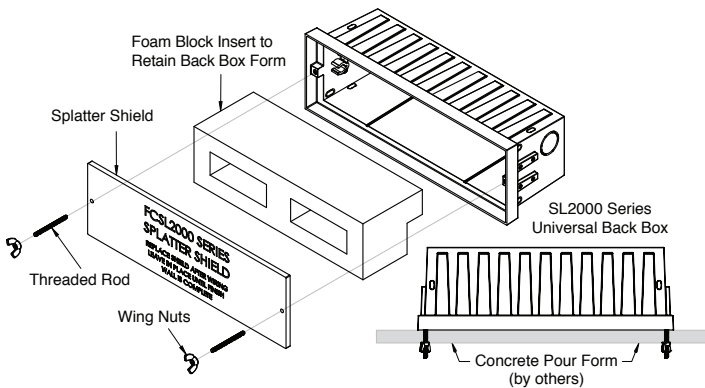
Masonry Brackets - included w/ Back Box Kit



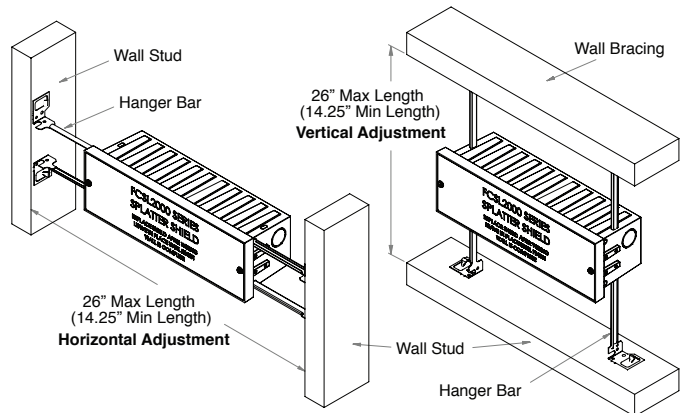
Drywall Brackets - included w/ Back Box Kit



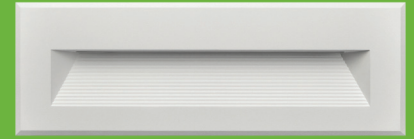
Concrete Pour Setup - included w/ Back Box Kit



Optional - Hanger Bar (HB)



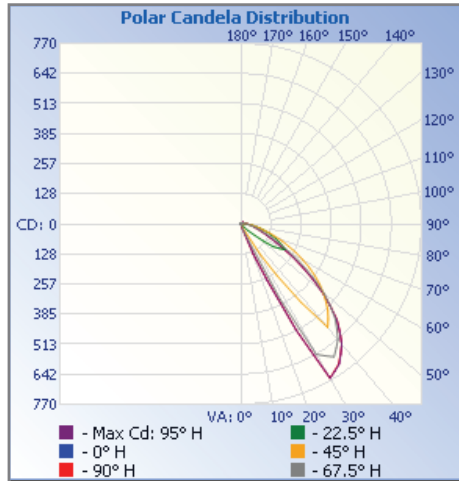
Due to continuous development and improvements, specifications are subject to change without notice. FC Lighting reserves the right to change lab test details or specifications without notice. Product use certifies agreement to FC terms and conditions.



Photometry

OPTICAL DISTRIBUTION

lumen output	568 lm	398 lm
power consumption	19W	13W



iti illuminations testing labratory : Report #3740

Due to continuous development and improvements, specifications are subject to change without notice. FC Lighting reserves the right to change lab test details or specifications without notice. Product use certifies agreement to FC terms and conditions.



WEDGE1 LED

Architectural Wall Sconce



Catalog Number

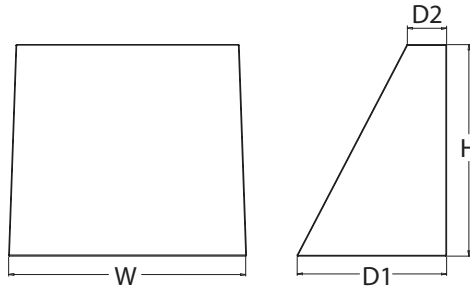
Notes

Type

Hit the Tab key or mouse over the page to see all interactive elements.

Specifications

Depth (D1): 5.5"
Depth (D2): 1.5"
Height: 8"
Width: 9"
Weight: 9 lbs
 (without options)



Introduction

The WEDGE LED family is designed to meet specifier's every wall-mounted lighting need in a widely accepted shape that blends with any architecture. The clean rectilinear design comes in four sizes with lumen packages ranging from 1,200 to 25,000 lumens, providing true site-wide solution.

WEDGE1 delivers up to 2,000 lumens with a soft, non-pixelated light source, creating a visually comfortable environment. The compact size of WEDGE1, with its integrated emergency battery backup option, makes it an ideal over-the-door wall-mounted lighting solution.

WEDGE LED Family Overview

Luminaire	Standard EM, 0°C	Cold EM, -20°C	Sensor	Lumens (4000K)					
				P1	P2	P3	P4	P5	P6
WEDGE1 LED	4W	--	--	1,200	2,000	--	--	--	--
WEDGE2 LED	10W	18W	Standalone / nLight	1,200	2,000	3,000	4,500	6,000	--
WEDGE3 LED	15W	18W	Standalone / nLight	7,500	8,500	10,000	12,000	--	--
WEDGE4 LED	--	--	Standalone / nLight	12,000	16,000	18,000	20,000	22,000	25,000

Ordering Information

EXAMPLE: WEDGE1 LED P2 40K 80CRI VF MVOLT SRM PE DDBXD

Series	Package	Color Temperature	CRI	Distribution	Voltage	Mounting
WEDGE1 LED	P1 P2	27K 2700K	80CRI	VF Visual comfort forward throw	MVOLT 347 ²	Shipped included SRM Surface mounting bracket ICW Indirect Canopy/Ceiling Washer bracket (dry/damp locations only) ⁵ Shipped separately AWS 3/8inch Architectural wall spacer PBBW Surface-mounted back box (top, left, right conduit entry) Use when there is no junction box available.
		30K 3000K	90CRI	VW Visual comfort wide		
		35K 3500K				
		40K 4000K				
		50K ¹ 5000K				

Options	Finish
E4WH ³ Emergency battery backup, Certified in CA Title 20 MAEDBS (4W, 0°C min)	DDBXD Dark bronze
PE ⁴ Photocell, Button Type	DBLXD Black
DS Dual switching (comes with 2 drivers and 2 light engines; see page 3 for details)	DNAXD Natural aluminum
DMG 0-10V dimming wires pulled outside fixture (for use with an external control, ordered separately)	DWHXD White
BCE Bottom conduit entry for back box (PBBW). Total of 4 entry points.	DSSXD Sandstone
	DDBTXD Textured dark bronze
	DBLTXD Textured black
	DNATXD Textured natural aluminum
	DWHGXD Textured white
	DSSTXD Textured sandstone

Accessories

Ordered and shipped separately.

WDGEAWS DDBXD U WEDGE 3/8inch Architectural Wall Spacer (specify finish)
 WDGE1PBBW DDBXD U WEDGE1 surface-mounted back box (specify finish)

NOTES

- 50K not available in 90CRI.
- 347V not available with E4WH, DS or PE.
- E4WH not available with PE or DS.
- PE not available with DS.
- Not qualified for DLC. Not available with E4WH.



COMMERCIAL OUTDOOR

One Lithonia Way • Conyers, Georgia 30012 • Phone: 1-800-705-SERV (7378) • www.lithonia.com
 © 2019-2021 Acuity Brands Lighting, Inc. All rights reserved.

WEDGE1 LED
 Rev. 03/17/21

Performance Data

Lumen Output

Lumen values are from photometric tests performed in accordance with IESNA LM-79-08. Data is considered to be representative of the configurations shown, within the tolerances allowed by Lighting Facts. Contact factory for performance data on any configurations not shown here.

Performance Package	System Watts	Dist. Type	27K (2700K, 80 CRI)					30K (3000K, 80 CRI)					35K (3500K, 80 CRI)					40K (4000K, 80 CRI)					50K (5000K, 80 CRI)				
			Lumens	LPW	B	U	G	Lumens	LPW	B	U	G	Lumens	LPW	B	U	G	Lumens	LPW	B	U	G	Lumens	LPW	B	U	G
P1	10W	VF	1,120	112	0	0	0	1,161	116	0	0	0	1,194	119	0	0	0	1,227	123	0	0	0	1,235	123	0	0	0
		VW	1,122	112	0	0	0	1,163	116	0	0	0	1,196	120	0	0	0	1,229	123	0	0	0	1,237	124	0	0	0
P2	15W	VF	1,806	120	1	0	0	1,872	125	1	0	0	1,925	128	1	0	0	1,978	132	1	0	0	1,992	133	1	0	0
		VW	1,809	120	1	0	0	1,876	125	1	0	0	1,929	128	1	0	0	1,982	132	1	0	0	1,996	133	1	0	0

Electrical Load

Performance Package	System Watts	Current (A)				
		120V	208V	240V	277V	347V
P1	10W	0.082	0.049	0.043	0.038	--
	13W	--	--	--	--	0.046
P2	15W	0.132	0.081	0.072	0.064	--
	18W	--	--	--	--	0.056

Lumen Multiplier for 90CRI

CCT	Multiplier
27K	0.845
30K	0.867
35K	0.845
40K	0.885
50K	0.898

Lumen Output in Emergency Mode (4000K, 80 CRI)

Option	Dist. Type	Lumens
E4WH	VF	646
	VW	647

Lumen Ambient Temperature (LAT) Multipliers

Use these factors to determine relative lumen output for average ambient temperatures from 0-40°C (32-104°F).

Ambient	Lumen Multiplier
0°C / 32°F	1.03
10°C / 50°F	1.02
20°C / 68°F	1.01
25°C / 77°F	1.00
30°C / 86°F	0.99
40°C / 104°F	0.98

Projected LED Lumen Maintenance

Data references the extrapolated performance projections for the platforms noted in a 25°C ambient, based on 10,000 hours of LED testing (tested per IESNA LM-80-08 and projected per IESNA TM-21-11).

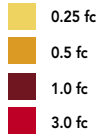
To calculate LLF, use the lumen maintenance factor that corresponds to the desired number of operating hours below. For other lumen maintenance values, contact factory.

Operating Hours	0	25,000	50,000	100,000
Lumen Maintenance Factor	1.0	>0.96	>0.95	>0.91

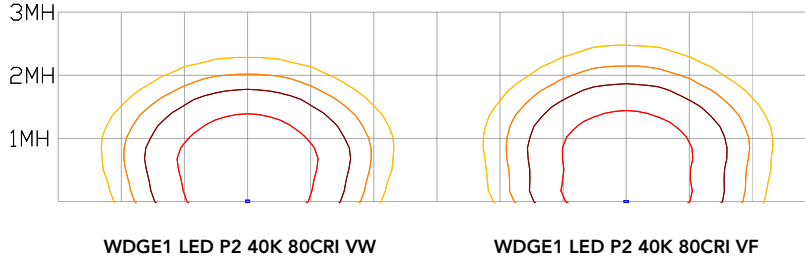
Photometric Diagrams

To see complete photometric reports or download .ies files for this product, visit the Lithonia Lighting WDGE LED homepage. Tested in accordance with IESNA LM-79 and LM-80 standards.

LEGEND



MH = 8ft
Grid = 8ft x 8ft



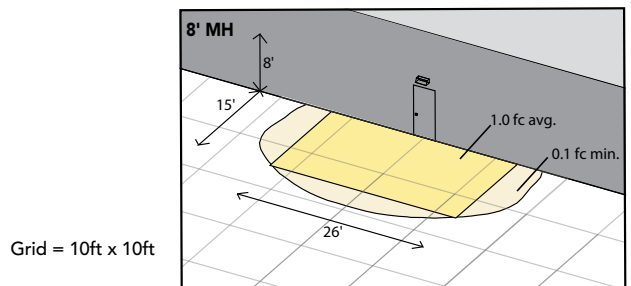
Emergency Egress Options

Emergency Battery Backup

The emergency battery backup is integral to the luminaire — no external housing required! This design provides reliable emergency operation while maintaining the aesthetics of the product. All emergency battery backup configurations include an independent secondary driver with an integral relay to immediately detect loss of normal power and automatically energize the luminaire. The emergency battery will power the luminaire for a minimum duration of 90 minutes (maximum duration of three hours) from the time normal power is lost and maintain a minimum of 60% of the light output at the end of 90 minutes.

Applicable codes: NFPA 70/NEC – section 700.16, NFPA 101 Life Safety Code Section 7.9

The example below shows illuminance of 1 fc average and 0.1 fc minimum in emergency mode with E4WH and VF distribution.

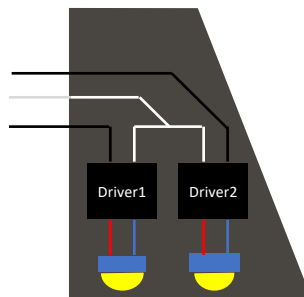


WDGE1 LED xx 40K 80CRI VF MVOLT E4WH

Dual Switching (DS) Option

The dual switching option offers operational redundancy that certain codes require. With this option the luminaire comes integrated with two drivers and two light engines. These work completely independent to each other so that a failure of any individual component does not cause the whole luminaire to go dark. This option is typically used with a back generator or inverter providing emergency power.

Applicable codes: NFPA 70/NEC – section 700.16, NFPA 101 Life Safety Code Section 7.9





E4WH – 4W Emergency Battery Backup

D = 5.5"
H = 8"
W = 9"



PBBW – Surface-Mounted Back Box Use when there is no junction box available.

D = 1.75"
H = 8"
W = 9"



AWS – 3/8inch Architectural Wall Spacer

D = 0.38"
H = 4.4"
W = 7.5"

FEATURES & SPECIFICATIONS

INTENDED USE

Common architectural look, with clean rectilinear shape, of the WDGE LED was designed to blend with any type of construction, whether it be tilt-up, frame or brick. Applications include commercial offices, warehouses, hospitals, schools, malls, restaurants, and other commercial buildings.

CONSTRUCTION

The single-piece die-cast aluminum housing integrates secondary heat sinks to optimize thermal transfer from the internal light engine heat sinks and promote long life. The driver is mounted in direct contact with the casting for a low operating temperature and long life. The die-cast door frame is fully gasketed with a one-piece solid silicone gasket to keep out moisture and dust, providing an IP66 rating for the luminaire.

FINISH

Exterior painted parts are protected by a zinc-infused Super Durable TGIC thermoset powder coat finish that provides superior resistance to corrosion and weathering. A tightly controlled multi-stage process ensures a 3 mils thickness for a finish that can withstand extreme climate changes without cracking or peeling. Standard Super Durable colors include dark bronze, black, natural aluminum, sandstone and white. Available in textured and non-textured finishes.

OPTICS

Well crafted reflector optics allow the light engine to be recessed within the luminaire, providing visual comfort, superior distribution, uniformity, and spacing in wall-mount applications. The WDGE LED has zero uplight and qualifies as a Nighttime Friendly™ product, meaning it is consistent with the LEED® and Green Globes™ criteria for eliminating wasteful uplight.

ELECTRICAL

Light engine consists of high-efficacy LEDs mounted to metal-core circuit boards to maximize heat dissipation and promote long life (up to L91/100,000 hours at 25°C). The electronic driver has a power factor of >90%, THD <20%. Luminaire comes with built in 6kV surge protection, which meets a minimum Category C low exposure (per ANSI/IEEE C62.41.2).

INSTALLATION

A universal mounting plate with integral mounting support arms allows the fixture to hinge down for easy access while making wiring connections. The 3/8" Architectural Wall Spacer (AWS) can be used to create a floating appearance or to accommodate small imperfections in the wall surface. The ICW option can be used to mount the luminaire inverted for indirect lighting in dry and damp locations. Design can withstand up to a 1.5 G vibration load rating per ANSI C136.31.

LISTINGS

CSA certified to U.S. and Canadian standards. Luminaire is IP66 rated. PIR options are rated for wet location. Rated for -40°C minimum ambient. DesignLights Consortium® (DLC) Premium qualified product and DLC qualified product. Not all versions of this product may be DLC Premium qualified or DLC qualified. Please check the DLC Qualified Products List at www.designlights.org/QPL to confirm which versions are qualified. International Dark-Sky Association (IDA) Fixture Seal of Approval (FSA) is available for all products on this page utilizing 2700K and 3000K color temperature only and SRM mounting only.

BUY AMERICAN

This product is assembled in the USA and meets the Buy America(n) government procurement requirements under FARS, DFARS and DOT. Please refer to www.acuitybrands.com/resources/buy-american for additional information.

WARRANTY

5-year limited warranty. Complete warranty terms located at: www.acuitybrands.com/support/warranty/terms-and-conditions

Note: Actual performance may differ as a result of end-user environment and application. All values are design or typical values, measured under laboratory conditions at 25 °C. Specifications subject to change without notice.



WEDGE2 LED

Architectural Wall Sconce



Catalog Number

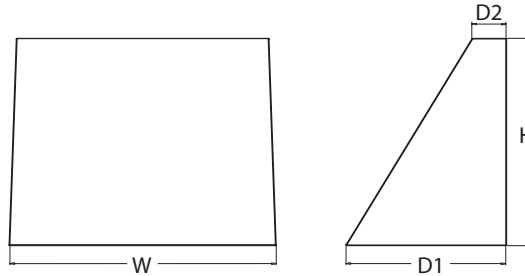
Notes

Type

Hit the Tab key or mouse over the page to see all interactive elements.

Specifications

- Depth (D1):** 7"
- Depth (D2):** 1.5"
- Height:** 9"
- Width:** 11.5"
- Weight:** 13.5 lbs
(without options)



Introduction

The WEDGE LED family is designed to meet specifier's every wall-mounted lighting need in a widely accepted shape that blends with any architecture. The clean rectilinear design comes in four sizes with lumen packages ranging from 1,200 to 25,000 lumens, providing a true site-wide solution. Embedded with nLight® AIR wireless controls, the WEDGE family provides additional energy savings and code compliance.

WEDGE2 delivers up to 6,000 lumens with a soft, non-pixelated light source, creating a visually comfortable environment. When combined with multiple integrated emergency battery backup options, including an 18W cold temperature option, the WEDGE2 becomes the ideal wall-mounted lighting solution for pedestrian scale applications in any environment.

WEDGE LED Family Overview

Luminaire	Standard EM, 0°C	Cold EM, -20°C	Sensor	Lumens (4000K)					
				P1	P2	P3	P4	P5	P6
WEDGE1 LED	4W	--	--	1,200	2,000	--	--	--	--
WEDGE2 LED	10W	18W	Standalone / nLight	1,200	2,000	3,000	4,500	6,000	--
WEDGE3 LED	15W	18W	Standalone / nLight	7,500	8,500	10,000	12,000	--	--
WEDGE4 LED	--	--	Standalone / nLight	12,000	16,000	18,000	20,000	22,000	25,000

Ordering Information

EXAMPLE: WEDGE2 LED P3 40K 80CRI VF MVOLT SRM DDBXD

Series	Package	Color Temperature	CRI	Distribution	Voltage	Mounting		
WEDGE2 LED	P1 ¹	P1SW	27K 2700K	80CRI	VF Visual comfort forward throw	MVOLT	Shipped included SRM Surface mounting bracket ICW Indirect Canopy/Ceiling Washer bracket (dry/damp locations only) ²	
	P2 ¹	P2SW	30K 3000K	90CRI				VW Visual comfort wide
	P3 ¹	P3SW	35K 3500K					
	P4 ¹	Door with small window (SW) is required to accommodate sensors. See page 2 for more details.	40K 4000K					
	P5 ¹		50K ² 5000K					

Options	Finish
E4WH Emergency battery backup, Certified in CA Title 20 MAEDBS (4W, 0°C min) E10WH Emergency battery backup, Certified in CA Title 20 MAEDBS (10W, 5°C min) E20WC Emergency battery backup, Certified in CA Title 20 MAEDBS (18W, -20°C min) PE⁴ Photocell, Button Type DS⁵ Dual switching (comes with 2 drivers and 2 light engines; see page 3 for details) DMG⁶ 0-10V dimming wires pulled outside fixture (for use with an external control, ordered separately) BCE Bottom conduit entry for back box (PBBW). Total of 4 entry points.	DDBXD Dark bronze DBLXD Black DNAXD Natural aluminum DWHXD White DSSXD Sandstone DBBTXD Textured dark bronze DBL BXD Textured black DNATXD Textured natural aluminum DWHGXD Textured white DSSTXD Textured sandstone
Standalone Sensors/Controls (only available with P1SW, P2SW & P3SW) PIR Bi-level (100/35%) motion sensor for 8-15' mounting heights. Intended for use on switched circuits with external dusk to dawn switching. PIRH Bi-level (100/35%) motion sensor for 15-30' mounting heights. Intended for use on switched circuits with external dusk to dawn switching PIR1FC3V Bi-level (100/35%) motion sensor for 8-15' mounting heights with photocell pre-programmed for dusk to dawn operation. PIRH1FC3V Bi-level (100/35%) motion sensor for 15-30' mounting heights with photocell pre-programmed for dusk to dawn operation. Networked Sensors/Controls (only available with P1SW, P2SW & P3SW) NLTAIR2 PIR nLightAIR Wireless enabled bi-level motion/ambient sensor for 8-15' mounting heights. NLTAIR2 PIRH nLightAIR Wireless enabled bi-level motion/ambient sensor for 15-30' mounting heights. See page 4 for out of box functionality	



COMMERCIAL OUTDOOR

One Lithonia Way • Conyers, Georgia 30012 • Phone: 1-800-705-SERV (7378) • www.lithonia.com
 © 2019-2021 Acuity Brands Lighting, Inc. All rights reserved.

WEDGE2 LED
 Rev. 03/17/21

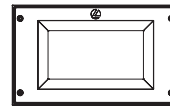
Accessories

Ordered and shipped separately.

WDGEAWS DDBXD U	WDGE 3/8inch Architectural Wall Spacer (specify finish)
WDGE2P8BW DDBXD U	WDGE2 surface-mounted back box (specify finish)

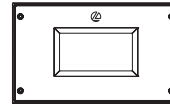
NOTES

- 1 P1-P5 not available with sensors/controls. Sensors/controls only available with P1SW, P2SW and P3SW.
- 2 50K not available in 90CRI
- 3 347V and 480V not available with E4WH, E10WH, E20WC or DS.
- 4 PE not available in 480V or with sensors/controls
- 5 DS option not available with E4WH, E10WH, E20WC or sensors/controls.
- 6 DMG option not available with sensors/controls
- 7 Not qualified for DLC. Not available with emergency battery backup or sensors/controls



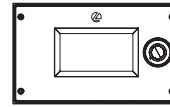
Default configuration with no sensors/controls.

Power Packages: P1, P2, P3, P4, P5



Small Window (SW) configuration

Power Packages: P1SW, P2SW, P3SW



Configuration with sensors/controls

Power Packages: P1SW, P2SW, P3SW

Performance Data

Lumen Output

Lumen values are from photometric tests performed in accordance with IESNA LM-79-08. Data is considered to be representative of the configurations shown, within the tolerances allowed by Lighting Facts. Contact factory for performance data on any configurations not shown here.

Performance Package	System Watts	Dist. Type	27K (2700K, 80 CRI)					30K (3000K, 80 CRI)					35K (3500K, 80 CRI)					40K (4000K, 80 CRI)					50K (5000K, 80 CRI)				
			Lumens	LPW	B	U	G	Lumens	LPW	B	U	G	Lumens	LPW	B	U	G	Lumens	LPW	B	U	G	Lumens	LPW	B	U	G
P1 / P1SW	10W	VF	1,166	119	0	0	0	1,209	123	0	0	0	1,251	128	0	0	0	1,256	128	0	0	0	1,254	128	0	0	0
		VW	1,197	122	0	0	0	1,241	126	0	0	0	1,284	131	0	0	0	1,289	131	0	0	0	1,286	131	0	0	0
P2 / P2SW	15W	VF	1,878	129	1	0	0	1,947	134	1	0	0	2,015	139	1	0	0	2,023	139	1	0	0	2,019	139	1	0	0
		VW	1,927	133	1	0	0	1,997	137	1	0	0	2,067	142	1	0	0	2,075	143	1	0	0	2,071	143	1	0	0
P3 / P3SW	23W	VF	2,908	129	1	0	0	3,015	134	1	0	0	3,119	138	1	0	0	3,132	139	1	0	0	3,126	139	1	0	0
		VW	2,983	132	1	0	0	3,093	137	1	0	0	3,200	142	1	0	0	3,213	143	1	0	0	3,206	142	1	0	0
P4	35W	VF	4,096	117	1	0	1	4,247	121	1	0	1	4,394	126	1	0	1	4,412	126	1	0	1	4,403	126	1	0	1
		VW	4,202	120	1	0	0	4,357	125	1	0	1	4,508	129	1	0	1	4,526	129	1	0	1	4,517	129	1	0	1
P5	48W	VF	5,567	115	1	0	1	5,772	119	1	0	1	5,972	123	1	0	1	5,996	124	1	0	1	5,984	124	1	0	1
		VW	5,711	118	1	0	1	5,921	122	1	0	1	6,127	126	1	0	1	6,151	127	1	0	1	6,139	127	1	0	1

Electrical Load

Performance Package	System Watts	Current (A)					
		120V	208V	240V	277V	347V	480V
P1 / P1SW	10W	0.082	0.049	0.043	0.038	--	--
	13W	--	--	--	--	0.046	0.033
P2 / P2SW	15W	0.132	0.081	0.072	0.064	--	--
	18W	--	--	--	--	0.056	0.041
P3 / P3SW	23W	0.195	0.114	0.100	0.088	--	--
	26W	--	--	--	--	0.079	0.058
P4	35W	0.302	0.175	0.152	0.134	--	--
	38W	--	--	--	--	0.115	0.086
P5	48W	0.434	0.241	0.211	0.184	--	--
	52W	--	--	--	--	0.157	0.119

Lumen Multiplier for 90CRI

CCT	Multiplier
27K	0.845
30K	0.867
35K	0.845
40K	0.885
50K	0.898

Lumen Output in Emergency Mode (4000K, 80 CRI)

Option	Dist. Type	Lumens
E4WH	VF	646
	VW	647
E10WH	VF	1,658
	VW	1,701
E20WC	VF	2,840
	VW	2,913

Lumen Ambient Temperature (LAT) Multipliers

Use these factors to determine relative lumen output for average ambient temperatures from 0-40°C (32-104°F).

Ambient	Lumen Multiplier	
0°C	32°F	1.03
10°C	50°F	1.02
20°C	68°F	1.01
25°C	77°F	1.00
30°C	86°F	0.99
40°C	104°F	0.98

Projected LED Lumen Maintenance

Data references the extrapolated performance projections for the platforms noted in a 25°C ambient, based on 10,000 hours of LED testing (tested per IESNA LM-80-08 and projected per IESNA TM-21-11).

To calculate LLF, use the lumen maintenance factor that corresponds to the desired number of operating hours below. For other lumen maintenance values, contact factory.

Operating Hours	0	25,000	50,000	100,000
Lumen Maintenance Factor	1.0	>0.96	>0.95	>0.91



COMMERCIAL OUTDOOR

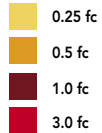
One Lithonia Way • Conyers, Georgia 30012 • Phone: 1-800-705-SERV (7378) • www.lithonia.com
© 2019-2021 Acuity Brands Lighting, Inc. All rights reserved.

WDGE2 LED
Rev. 03/17/21

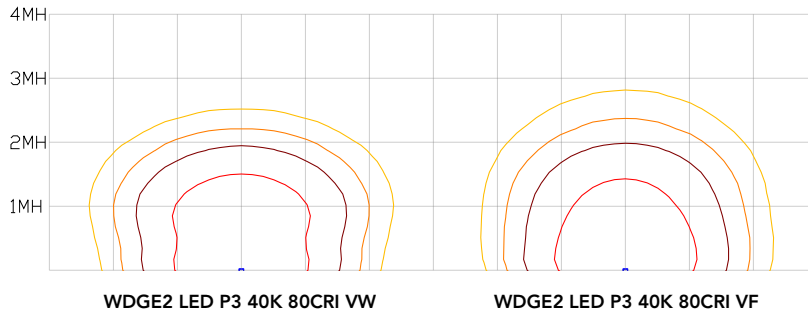
Photometric Diagrams

To see complete photometric reports or download .ies files for this product, visit the Lithonia Lighting WDGE LED homepage. Tested in accordance with IESNA LM-79 and LM-80 standards.

LEGEND



MH = 10ft
Grid = 10ft x 10ft



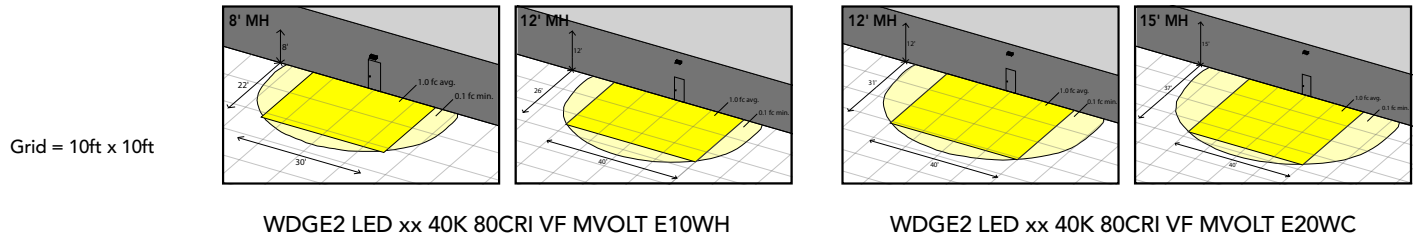
Emergency Egress Options

Emergency Battery Backup

The emergency battery backup is integral to the luminaire — no external housing required! This design provides reliable emergency operation while maintaining the aesthetics of the product. All emergency battery backup configurations include an independent secondary driver with an integral relay to immediately detect loss of normal power and automatically energize the luminaire. The emergency battery will power the luminaire for a minimum duration of 90 minutes (maximum duration of three hours) from the time normal power is lost and maintain a minimum of 60% of the light output at the end of 90minutes.

Applicable codes: NFPA 70/NEC – section 700.16, NFPA 101 Life Safety Code Section 7.9

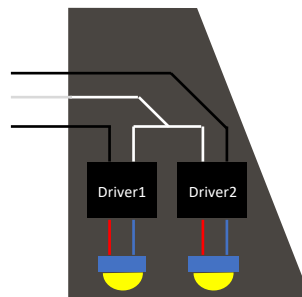
The examples below show illuminance of 1 fc average and 0.1 fc minimum in emergency mode with E10WH or E20WC and VF distribution.



Dual Switching (DS) Option

The dual switching option offers operational redundancy that certain codes require. With this option the luminaire comes integrated with two drivers and two light engines. These work completely independent to each other so that a failure of any individual component does not cause the whole luminaire to go dark. This option is typically used with a back generator or inverter providing emergency power.

Applicable codes: NFPA 70/NEC – section 700.16, NFPA 101 Life Safety Code Section 7.9



Motion/Ambient Sensor (PIR_, PIRH_)

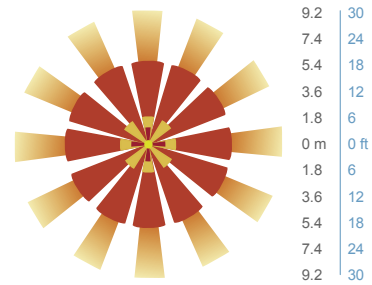
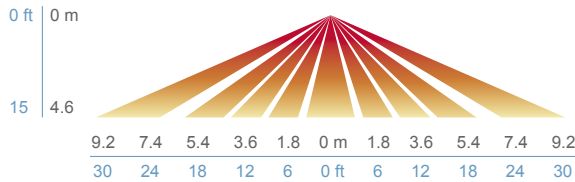
Motion/Ambient sensor (Sensor Switch MSOD) is integrated into the the luminaire. The sensor provides both Motion and Daylight based dimming of the luminaire. For motion detection, the sensor utilizes 100% Digital Passive Infrared (PIR) technology that is tuned for walking size motion while preventing false tripping from the environment. The integrated photocell enables additional energy savings during daytime periods when there is sufficient daylight. Optimize sensor coverage by either selecting PIR or PIRH option. PIR option comes with a sensor lens that is optimized to provide maximum coverage for mounting heights between 8-15ft, while PIRH is optimized for 15-40ft mounting height.

Networked Control (NLTAIR2)

nLight® AIR is a wireless lighting controls platform that allows for seamless integration of both indoor and outdoor luminaires. Five-tier security architecture, 900 MHz wireless communication and app (CLAIRITY™ Pro) based configurability combined together make nLight® AIR a secure, reliable and easy to use platform.

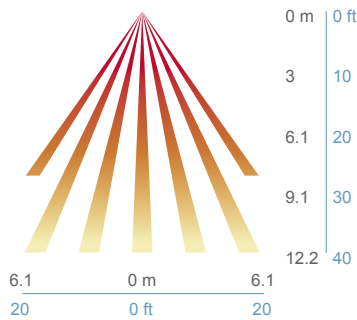
PIR

HIGH VIEW

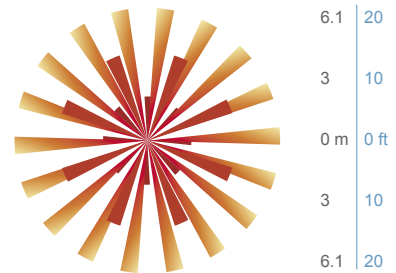


PIRH

SIDE VIEW



TOP VIEW



Option	Dim Level	High Level (when triggered)	Photocell Operation	Motion Time Delay	Ramp-down Time	Ramp-up Time
PIR or PIRH	Motion - 3V (37% of full output) Photocell - 0V (turned off)	10V (100% output)	Enabled @ 5fc	5 min	5 min	Motion - 3 sec Photocell - 45 sec
PIR1FC3V, PIRH1FC3V	Motion - 3V (37% of full output) Photocell - 0V (turned off)	10V (100% output)	Enabled @ 1fc	5 min	5 min	Motion - 3 sec Photocell - 45 sec
NLTAIR2 PIR, NLTAIR2 PIRH (out of box)	Motion - 3V (37% of full output) Photocell - 0V (turned off)	10V (100% output)	Enabled @ 5fc	7.5 min	5 min	Motion - 3 sec Photocell - 45 sec



**NLTAIR2 PIR – nLight AIR
Motion/Ambient Sensor**

D = 7"
H = 11"
W = 11.5"



PBBW – Surface-Mounted Back Box
Use when there is no junction box available.

D = 1.75"
H = 9"
W = 11.5"



AWS – 3/8inch Architectural Wall Spacer

D = 0.38"
H = 4.4"
W = 7.5"

FEATURES & SPECIFICATIONS

INTENDED USE

Common architectural look, with clean rectilinear shape, of the WDGE LED was designed to blend with any type of construction, whether it be tilt-up, frame or brick. Applications include commercial offices, warehouses, hospitals, schools, malls, restaurants, and other commercial buildings.

CONSTRUCTION

The single-piece die-cast aluminum housing integrates secondary heat sinks to optimize thermal transfer from the internal light engine heat sinks and promote long life. The driver is mounted in direct contact with the casting for a low operating temperature and long life. The die-cast door frame is fully gasketed with a one-piece solid silicone gasket to keep out moisture and dust, providing an IP66 rating for the luminaire.

FINISH

Exterior painted parts are protected by a zinc-infused Super Durable TGIC thermoset powder coat finish that provides superior resistance to corrosion and weathering. A tightly controlled multi-stage process ensures a 3 mils thickness for a finish that can withstand extreme climate changes without cracking or peeling. Standard Super Durable colors include dark bronze, black, natural aluminum, sandstone and white. Available in textured and non-textured finishes.

OPTICS

Well crafted reflector optics allow the light engine to be recessed within the luminaire, providing visual comfort, superior distribution, uniformity, and spacing in wall-mount applications. The WDGE LED has zero uplight and qualifies as a Nighttime Friendly™ product, meaning it is consistent with the LEED® and Green Globes™ criteria for eliminating wasteful uplight.

ELECTRICAL

Light engine consists of high-efficiency LEDs mounted to metal-core circuit boards to maximize heat dissipation and promote long life (up to L91/100,000 hours at 25°C). The electronic driver has a power factor of >90%, THD <20%. Luminaire comes with built in 6kV surge protection, which meets a minimum Category C low exposure (per ANSI/IEEE C62.41.2).

INSTALLATION

A universal mounting plate with integral mounting support arms allows the fixture to hinge down for easy access while making wiring connections. The 3/8" Architectural Wall Spacer (AWS) can be used to create a floating appearance or to accommodate small imperfections in the wall surface. The ICW option can be used to mount the luminaire inverted for indirect lighting in dry and damp locations. Design can withstand up to a 1.5 G vibration load rating per ANSI C136.31.

LISTINGS

CSA certified to U.S. and Canadian standards. Luminaire is IP66 rated. PIR options are rated for wet location. Rated for -40°C minimum ambient. DesignLights Consortium® (DLC) Premium qualified product and DLC qualified product. Not all versions of this product may be DLC Premium qualified or DLC qualified. Please check the DLC Qualified Products List at www.designlights.org/QPL to confirm which versions are qualified. International Dark-Sky Association (IDA) Fixture Seal of Approval (FSA) is available for all products on this page utilizing 2700K and 3000K color temperature only and SRM mounting only.

BUY AMERICAN

This product is assembled in the USA and meets the Buy America(n) government procurement requirements under FARS, DFARS and DOT. Please refer to www.acuitybrands.com/resources/buy-american for additional information.

WARRANTY

5-year limited warranty. Complete warranty terms located at: www.acuitybrands.com/support/warranty/terms-and-conditions

Note: Actual performance may differ as a result of end-user environment and application. All values are design or typical values, measured under laboratory conditions at 25 °C. Specifications subject to change without notice.

L723

EXTERIOR | INTERIOR

Wall-mount | For walls

• Wet, Damp, and Dry location



Ordering Information

Clear Form

Date : _____

Quantity : _____

Project : _____

Note : _____

Type : _____

Specifications

Luminaire | Example Code: L723-W30H-N-C-MA

Product	CCT & CRI ¹	Beam Angle	Lens	Finish ²
L723				
	W27H 2700K 90+	S spot 12°	C clear	Aluminum Finishes: MA matte clear anodized BK black powder coated BZ bronze powder coated
	W30H 3000K 90+	N narrow flood 30°	F frosted	
		F flood 40°		

System Components (Ordered Separately)

Remote Driver : _____

* Consult MP Lighting Website or Factory.

Important Notes

Specification

1. Refer to pg.2 - for Light quality and colour consistency details.
2. Refer to Appendix or MP Lighting website for complete look of luminaire with different finish options.

Warranty Notes & Disclaimer

Malfunction and damage to product due to incompatible dimming system or misuse will not be covered under warranty. Consult MP Lighting for recommended drivers. If the fixture has an option to be installed with a dimming control system, consult a dimming system manufacturer with minimum load before installing. MP Lighting reserves the right, at its sole discretion, at any time and without notice, to make design changes to any of our products. Consult MP Lighting website for most updated documentation.

L723

EXTERIOR | INTERIOR

Wall-mount | For walls

• Wet, Damp, and Dry location

RoHS   



Performance

Wattage	Forward Current	Power Consumption Budget per fixture (including driver)	LED output (Source)	Fixture Output (Delivered)
8W	700mA	9W	880lm	423.5-430lm

Application

Environment	Wet / Damp / Dry Location approved. IP 66.
Mounting	Mounts to standard 4" (102mm) back box (ordered separately). Can be positioned facing up or down. Minimum depth: 1-1/2" (38mm)

Electrical

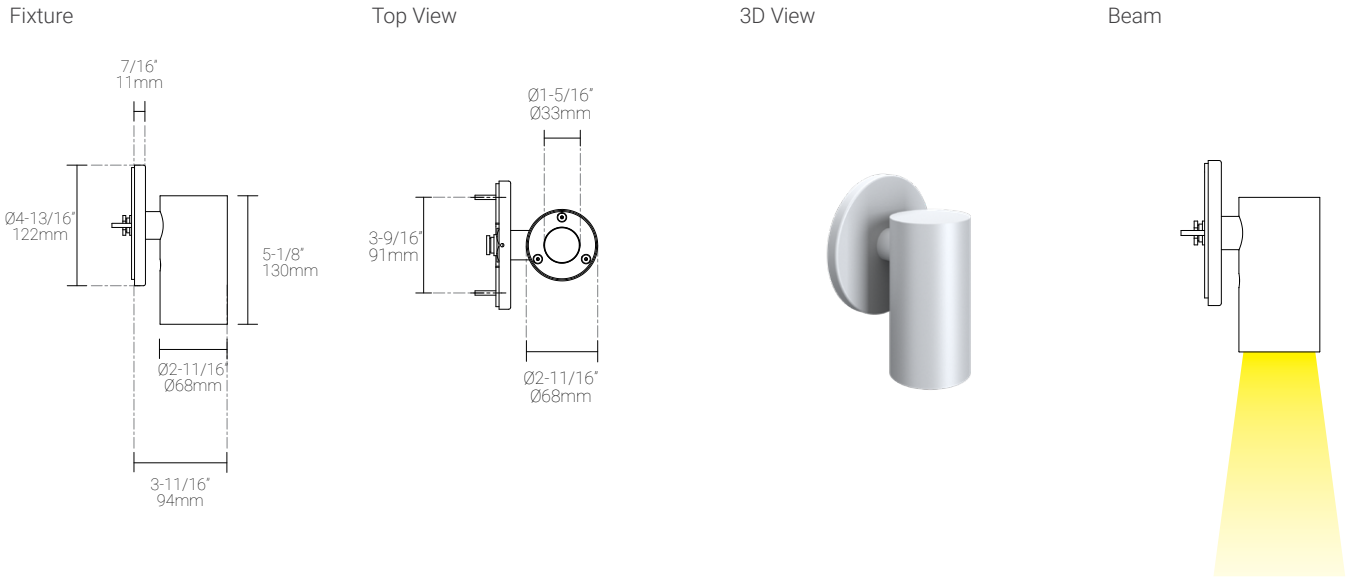
Power Supplies	Built-in ELV dimmable LED driver.
Control	On/off control Dimming: ELV dimming Other options (consult factory): TRIAC/MLV, DMX, DALI, Casambi, Power over Ethernet

Luminaire Construction

LED Light Source	W27H = CCT: 2700K, CRI (Ra): 90+, Colour Consistency: 2SDCM W30H = CCT: 3000K, CRI (Ra): 90+, Colour Consistency: 2SDCM
Standard Compliance	✓WELL standard – Feature 58: Color Quality
Weight	N/A
Material	Fixture: machined marine-grade aluminum with tempered glass
Supplied with	Standard installation housing: Comes with LED unit, canopy, universal crossbar, hex socket head screws (2), waterproof wire nuts (2), and allen key Driver: Built-in ELV dimmable driver
Warranty & LED Life	5 years limited warranty Estimated useful life of LED is 50,000 hours.

Mounting Options & Dimensions

LED Insert Dimensions



Appendix

Aluminum Finishes



MA matte clear anodized

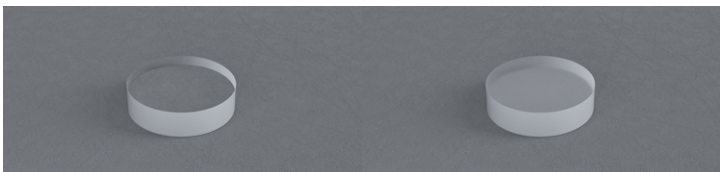


BK black powder coated



BZ bronze powder coated

Lens Options

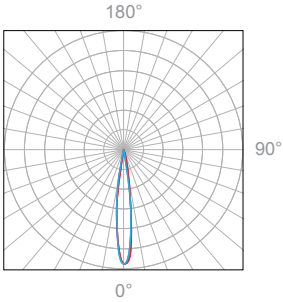


C clear lens

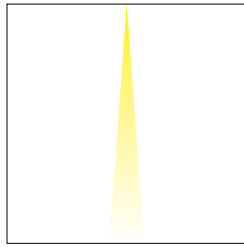
F frosted

16W (8W up & 8W down), 3000K, 90+ CRI, Clear lens

Polar Candela Distribution



Beam Width: 12°

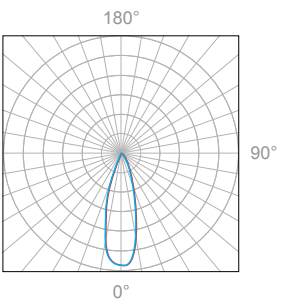


Illuminance at a Distance (Each side)

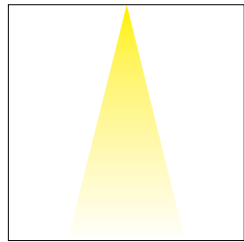
Distance		Center Beam fc	Beam Width	
3.0ft	0.91m	333fc	0.8ft	0.24m
6.0ft	1.83m	76fc	1.5ft	0.46m
9.0ft	2.74m	33fc	2.3ft	0.70m
12.0ft	3.66m	20fc	3.1ft	0.94m
15.0ft	4.57m	12fc	3.9ft	1.19m
18.0ft	5.49m	9.3fc	4.6ft	1.40m

Delivered Lumen: 425.1lm
 ■ Vertical Beam Spread: 14.7°
 ■ Horizontal Beam Spread: 14.7°

Polar Candela Distribution



Beam Width: 30°

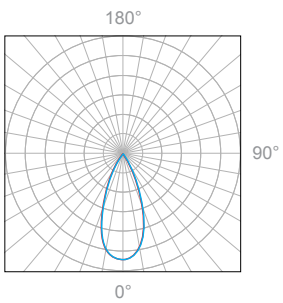


Illuminance at a Distance (Each side)

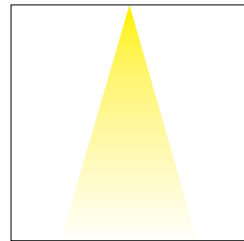
Distance		Center Beam fc	Beam Width	
3.0ft	0.91m	220fc	1.7ft	0.52m
6.0ft	1.83m	53fc	3.4ft	1.04m
9.0ft	2.74m	23fc	5.1ft	1.55m
12.0ft	3.66m	13fc	6.9ft	2.10m
15.0ft	4.57m	8.7fc	8.6ft	2.62m
18.0ft	5.49m	6.2fc	10.3ft	3.14m

Delivered Lumen: 423.5lm
 ■ Vertical Beam Spread: 33.4°
 ■ Horizontal Beam Spread: 33.7°

Polar Candela Distribution



Beam Width: 40°



Illuminance at a Distance (Each side)

Distance		Center Beam fc	Beam Width	
3.0ft	0.91m	81fc	2.1ft	0.64m
6.0ft	1.83m	19fc	4.1ft	1.25m
9.0ft	2.74m	8.8fc	6.2ft	1.89m
12.0ft	3.66m	5fc	8.2ft	2.50m
15.0ft	4.57m	3.3fc	10.3ft	3.14m
18.0ft	5.49m	2.4fc	12.4ft	3.78m

Delivered Lumen: 430lm
 ■ Vertical Beam Spread: 49.5°
 ■ Horizontal Beam Spread: 49.5°