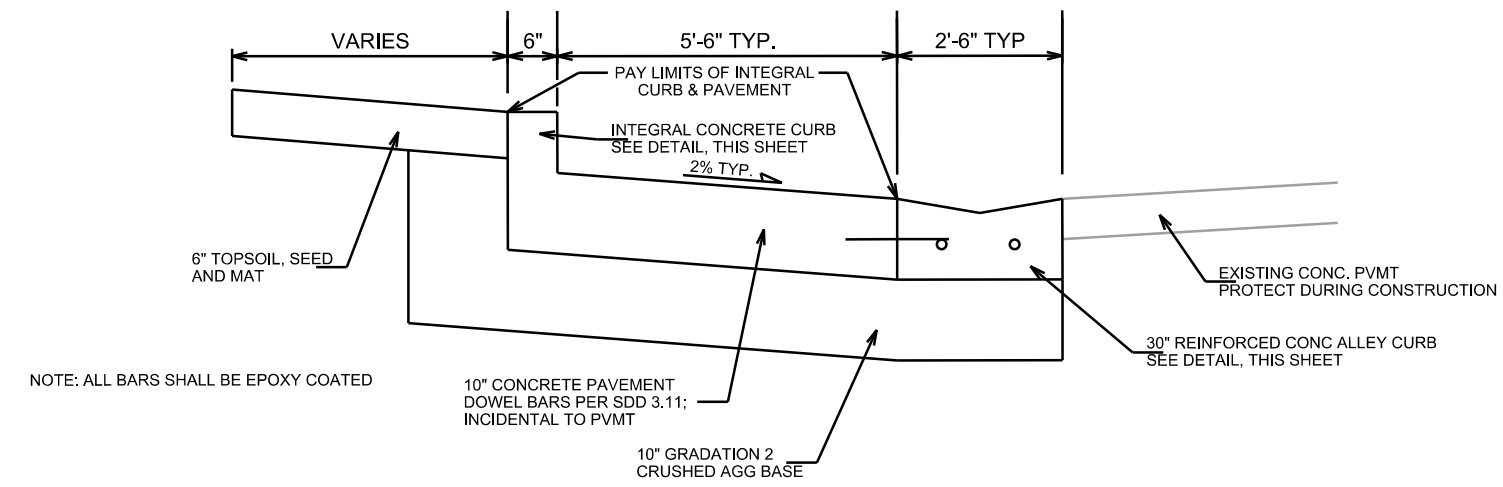
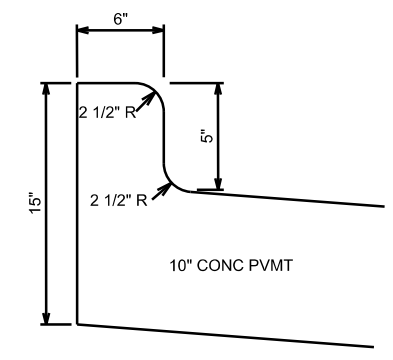


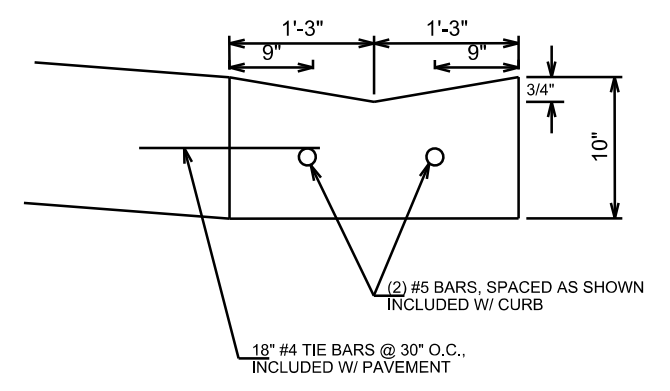
TYPICAL SECTION DETAIL
E JOHNSON ST
NOT TO SCALE



INTEGRAL CONCRETE CURB DETAIL
NOT TO SCALE



REINFORCED ALLEY CURB DETAIL
NOT TO SCALE



PLOT SCALE: _____

PLOT NAME: _____

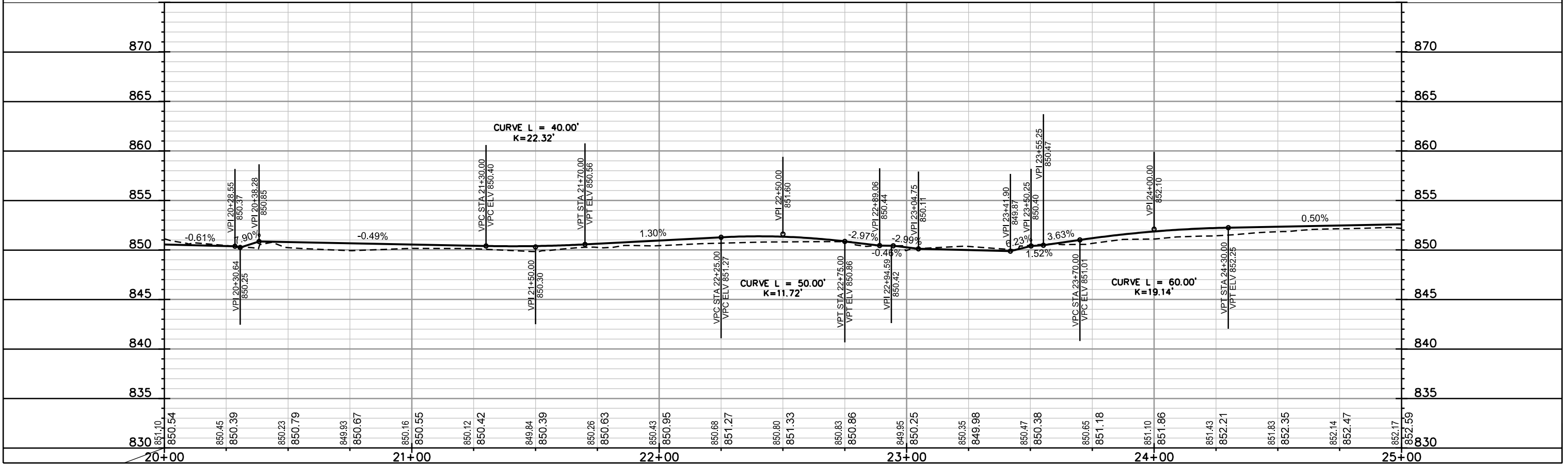
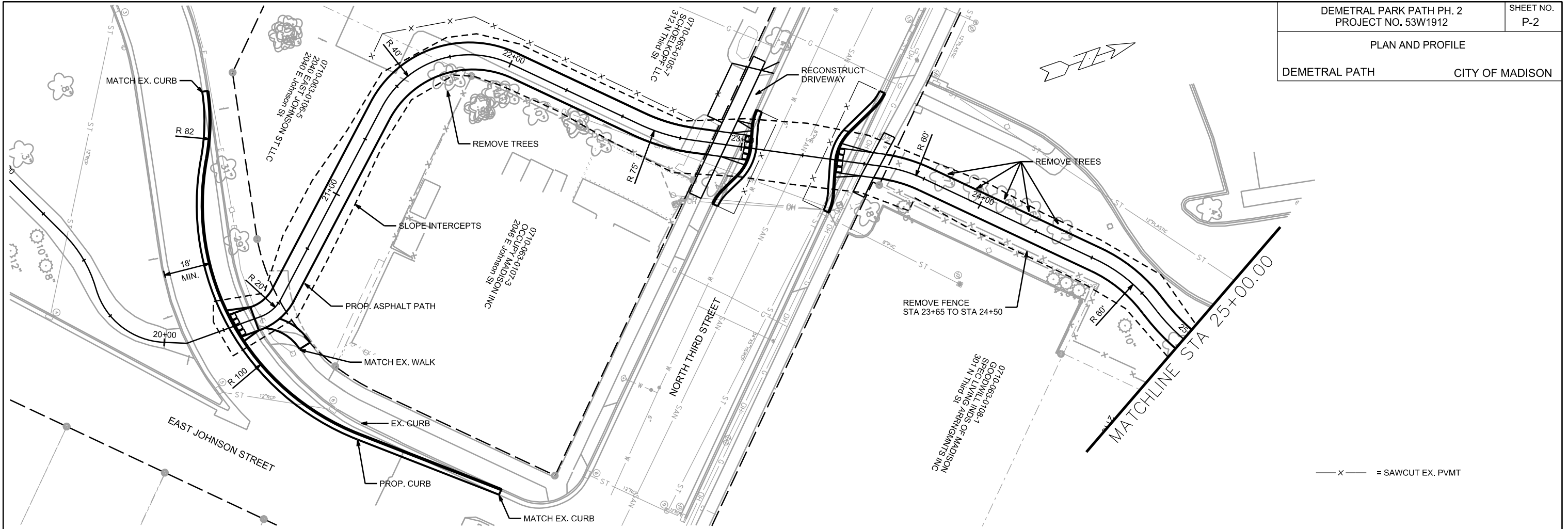
REV. DATE: _____

ORIGINATOR: CITY OF MADISON, STREETS DIVISION

PLAN AND PROFILE

DEMETRAL PATH

CITY OF MADISON



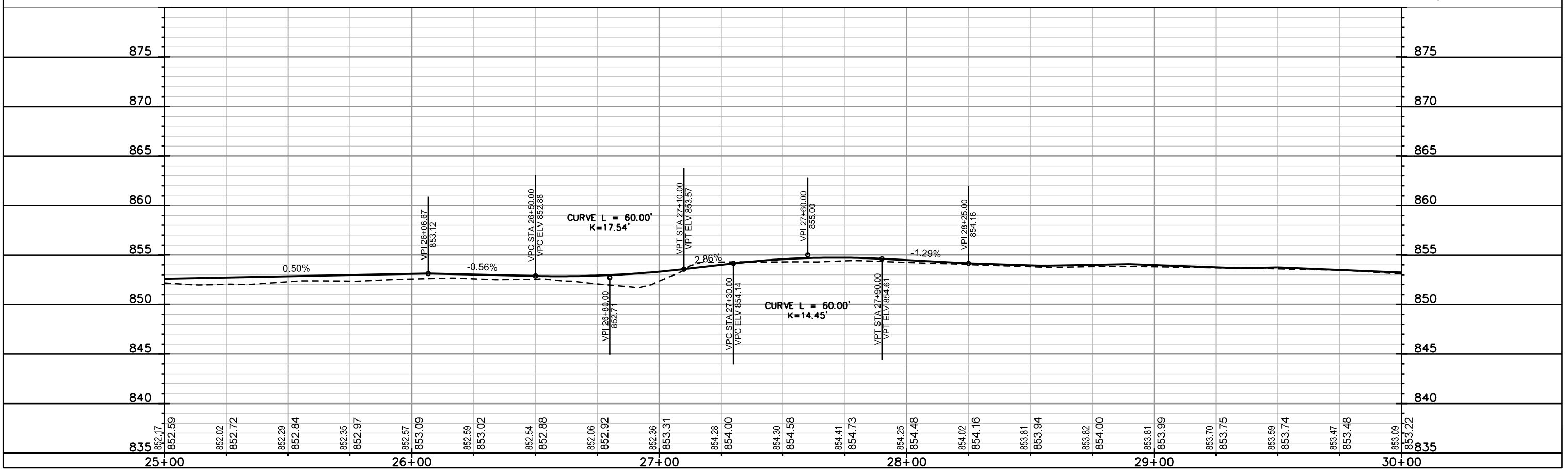
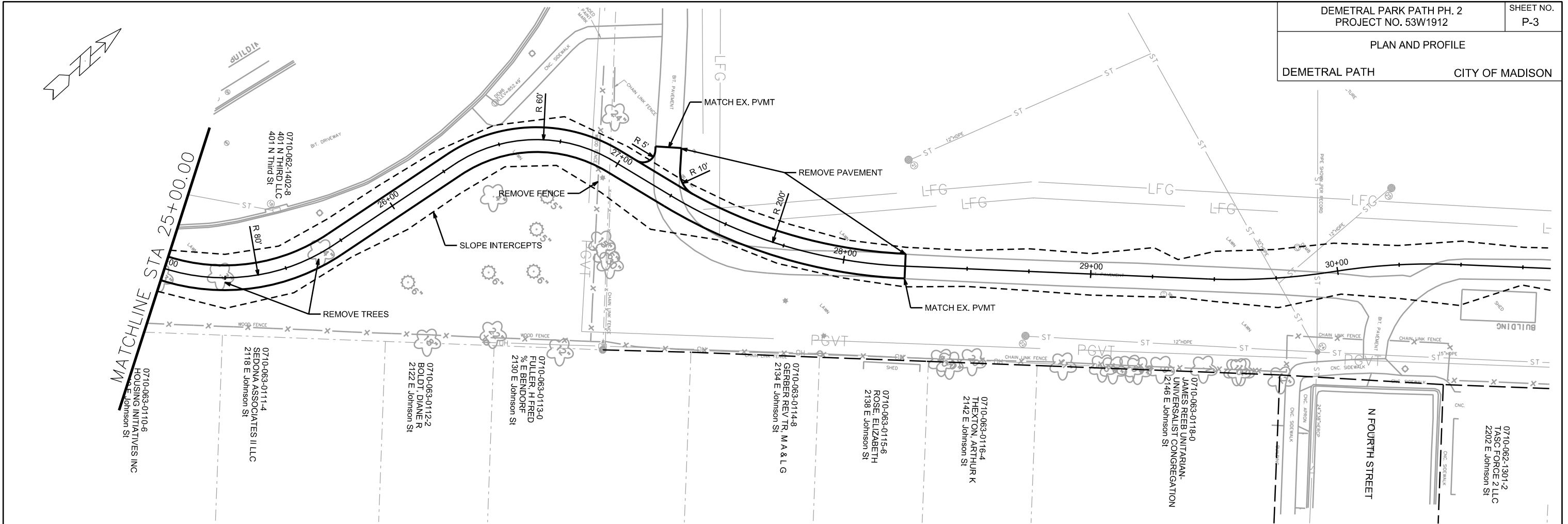
PLOT SCALE: _____

PLOT NAME: _____

REV. DATE: _____

ORIGINATOR: CITY OF MADISON, STREETS DIVISION

PLAN AND PROFILE
DEMETRAL PATH CITY OF MADISON



PLOT SCALE:

PLOT NAME:

REV. DATE:

ORIGINATOR: CITY OF MADISON, STREETS DIVISION