

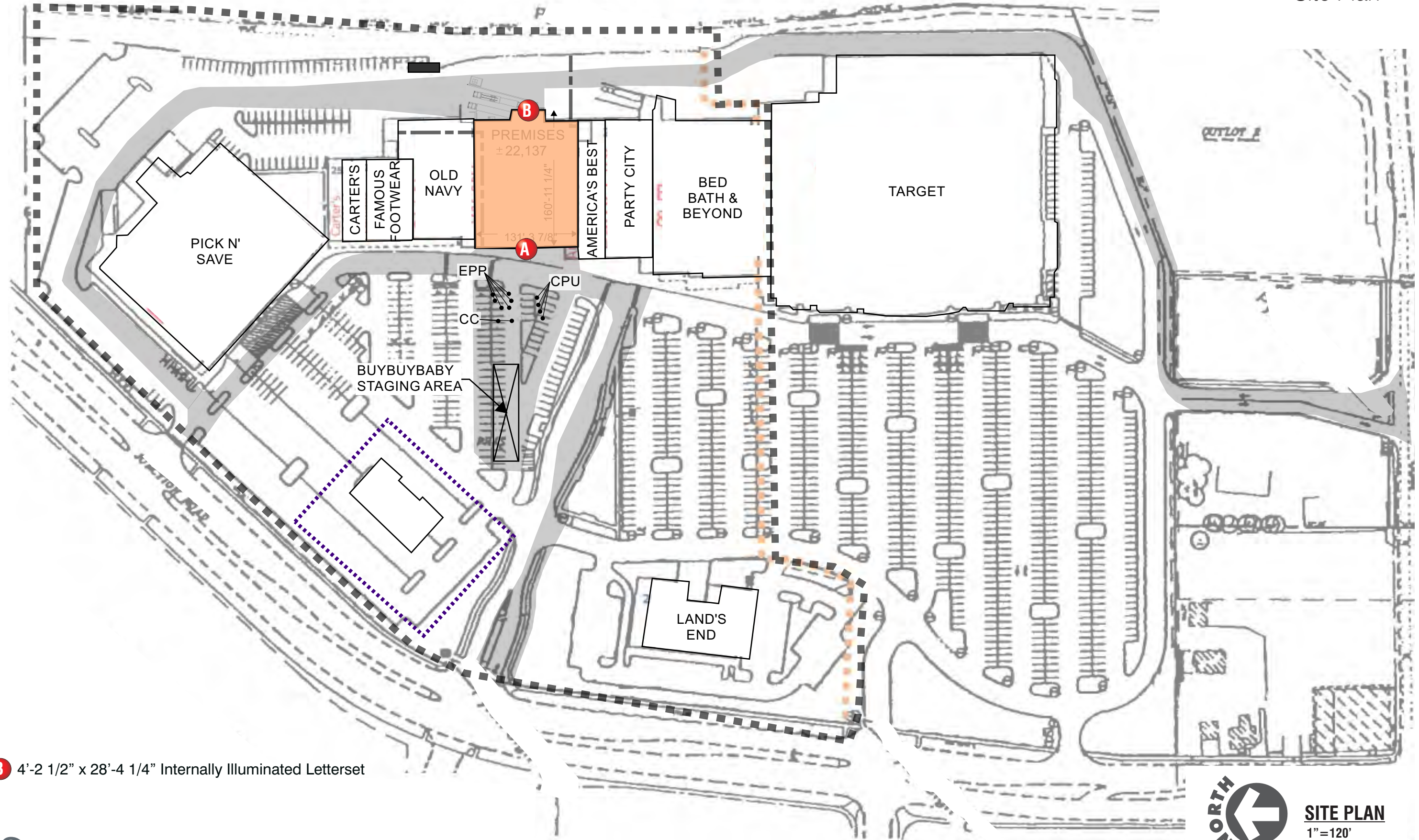
**buybuy**  
**BABY**

**235 Junction Rd.**  
**Madison, WI 53717**

Variance Art

March 23, 2022





**A B** 4'-2 1/2" x 28'-4 1/4" Internally Illuminated Letterset







Proposed: 120 SF



Allowed: 80 SF



Signable Area: 499 SF  
Proposed Sign: 120 SF  
Proposed Sign Utilizes 24% of Signable Area



Proposed: 120 SF



Allowed: 80 SF





Proposed: 120 SF



Allowed: 80 SF



Signable Area: 311 SF  
Proposed Sign: 120 SF  
Proposed Sign Utilizes 38% of Signable Area



Proposed: 120 SF



Allowed: 80 SF





Approx. 375.72 SF



Approx. 242.67 SF





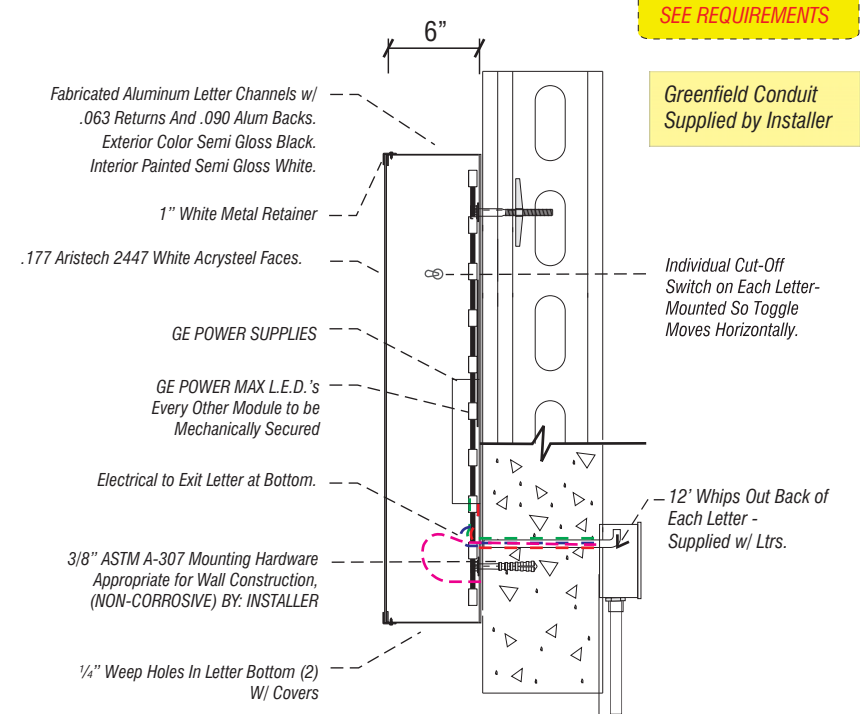
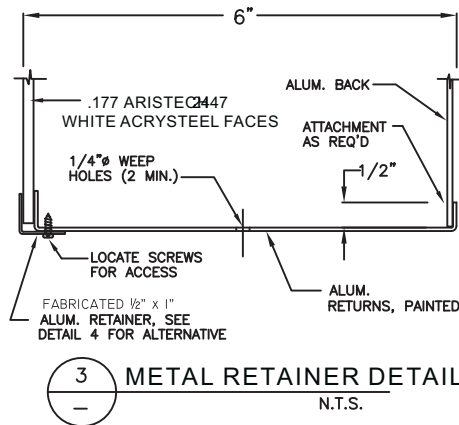


**A B** 4'-2 1/2" x 28'-4 1/4" INTERNALLY ILLUMINATED LETTERSET | ONE (1) QTY 120 SQ FT  
NTS

- 2447 FLAT WHITE ACRYLIC
- 3M 3630-246 TEAL VINYL
- PAINT PMS 321C TEAL (Retainers)

**SPECIAL CONSTRUCTION NOTES:**

- 1) ALL L.E.D.'s IN LETTERS AT A PARTICULAR LOCATION MUST HAVE SAME BIN#.
- 2) AKZO-NOBEL SEMI-GLOSS PAINT ON ALL RETURNS & EXTERIOR BACK.
- 3) NO ADHESIVE TO BE USED TO ATTACH FACE MATERIAL TO THE METAL RETAINERS.
- 4) ALL WEEP HOLES IN LETTERS TO HAVE WEEP HOLE COVERS @ INTERIOR.



**"BUY BUY BABY"**  
TYPICAL SECTION W/ SELF CONTAINED PS

**INSTALL REQUIREMENTS & RESPONSIBILITIES FOR SELF-CONTAINED OR REMOTE LETTERS, AS APPLICABLE**

**REMOTE LETTERSET REQUIREMENTS:**

**INSTALLER RESPONSIBILITIES:**  
Mount Power Supplies (to be installed in Waterproof boxes if exposed to the weather), Run Secondary Wiring To Power Supplies in Sealtite & Connect. Provide Connectors & Appropriate Mounting Hardware.  
**ON SITE ELECTRICIAN / GENERAL CONTRACTOR:**  
Primary Electrical Hook-up

**SELF-CONTAINED LETTERSET REQUIREMENTS:**

**INSTALLER RESPONSIBILITIES:**  
Make Electrical Penetrations, Push 12' Electrical Whips In Sealtite Thru Wall. (NO Add'l Wiring or Final Hook-Up). Provide Connectors & Appropriate Mounting Hardware.

**ON SITE ELECTRICIAN / GENERAL CONTRACTOR:**  
ALL Behind The Wall Electrical.

**ELECTRICAL SPECIFICATIONS**

GE POWER SUPPLIES 120V - 10 REQ'D  
GEPS 24-100 (10) @ 1.1 AMPS = 11.0  
TOTAL AMPS = 11.0

(1) 120V-20 AMP CIRCUIT REQUIRED

CUSTOMER TO PROVIDE:	INSTALLER IS RESPONSIBLE FOR:
<p>(For New / Remodel Construction) ADEQUATE BEHIND THE WALL BACKING AND ACCESS AS REQUIRED TO INSTALL SIGNAGE. CUSTOMER TO FORWARD COPY OF FINAL APPROVED SIGNAGE DRAWINGS TO BUILDING SITE CONTACT SO THAT THESE PROVISIONS CAN BE MADE DURING CONSTRUCTION AND PRIOR TO SIGN INSTALLATION.</p> <p>ALL BRANCH (PRIMARY ELECTRICAL SERVICE) CIRCUITS &amp; FINAL CONNECTION TO EACH SIGN (WITHIN 5 FT.) TO BE BY CERTIFIED ELECTRICIAN:            A. All branch circuits for signs must be totally dedicated to signs (including dedicated ground and dedicated neutral per circuit).            B. Sign circuits must not be shared with other loads such as lighting, air conditioning, and other equipment.            C. Properly sized ground wire that can be traced back to the breaker panel must be provided.            D. Number and size of circuits for each sign to meet Federal Health Sign's requirement.</p> <p>Any deviation from the above recommendations may result in:            1. Damage to or improper operation of the sign(s).            2. Delays and additional costs.</p> <p><b>Notes:</b>*Certain electrical components of signs will fail prematurely if signs are not shut-off for a period of time, once, each day. For best performance, we recommend signs to be connected to an automatic controlling device such as an Energy Management System, Time Clock or Photo Cell that will automatically shut-off the sign for a period of time, each day. Failure to do so will cause damage to the electrical components of the sign and will void the warranty.            *Some dimming devices will also adversely affect sign electrical components, causing failure. Any dimming of the sign without consultation with Federal Health Sign Co. will void the warranty.</p>	<p>PROVIDING &amp; INSTALLING ALL COMPONENTS REQUIRED TO RUN SECONDARY WIRING (CONNECTORS, GTO CONDUIT, ETC.) TO BE DETERMINED BY LOCAL CODE AND SITE CONDITIONS.</p> <p><b>ELECTRICAL NOTES:</b>            1. INSTALLATION OF THESE (ELECTRICAL) SIGNS SHALL CONFORM TO THE REQUIREMENTS OF ARTICLE 600 OF THE N.E.C., U.L. 48 AND / OR OTHER APPLICABLE LOCAL CODES. THIS INCLUDES PROPER GROUNDING AND BONDING OF THE SIGN.</p> <p>PROVIDING ALL NEEDED INSTALLATION HARDWARE AS DETERMINED BY LOCAL CODE &amp; SITE CONDITIONS.</p> <p>SEALING BUILDING PENETRATIONS W/SILICONE TO PREVENT MOISTURE PENETRATION @ EXTERIOR LOCATIONS.</p> <p><b>GENERAL NOTES:</b>            1. CONTRACTOR SHALL VERIFY WALL CONDITIONS IN THE FIELD.            2. TYPE, SIZE &amp; NUMBER OF FASTENERS TO BE DETERMINED.            3. ALL BOLT TO BE DRILLED AND OR PUNCHED.            4. ISOLATE ALUMINUM FROM STEEL.</p>