



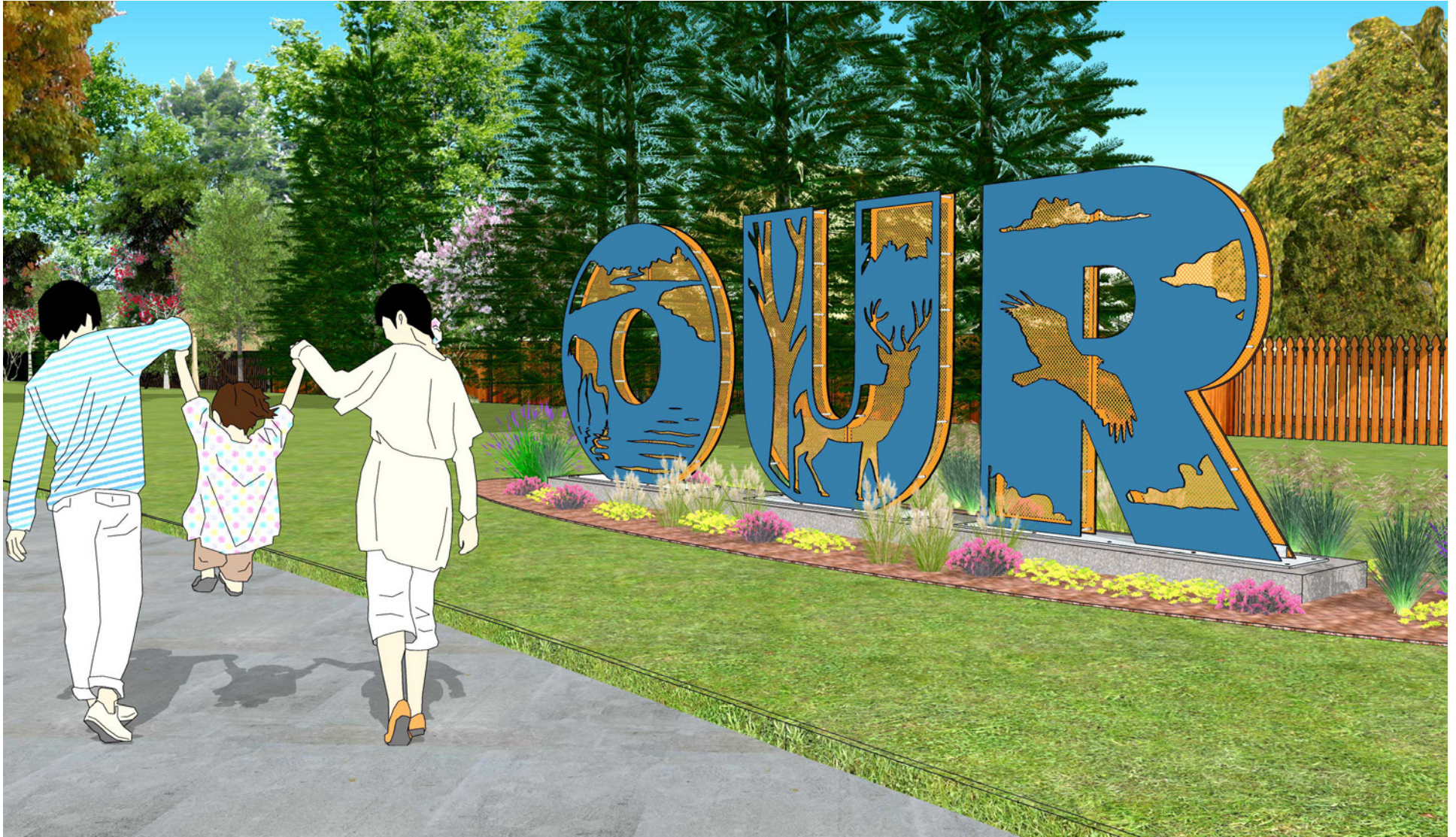
Site Plan



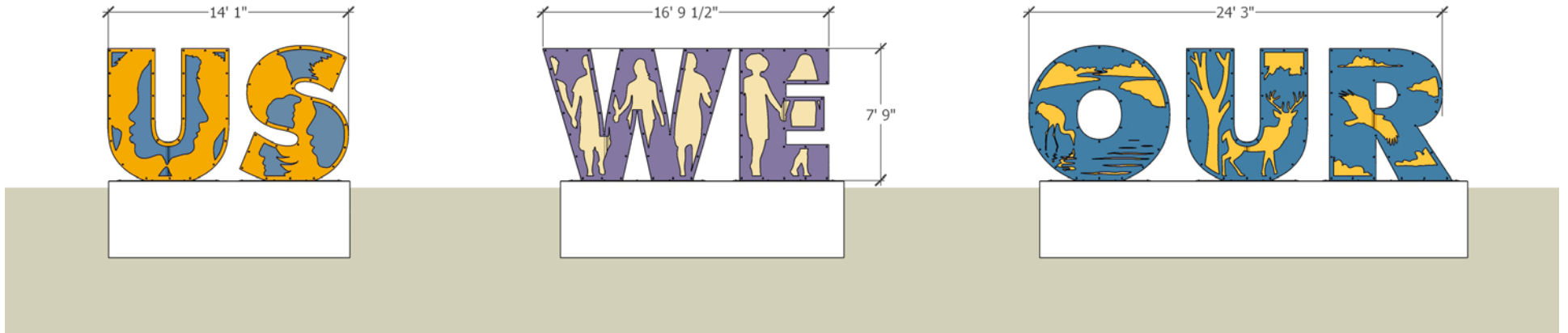
'WE' rendering



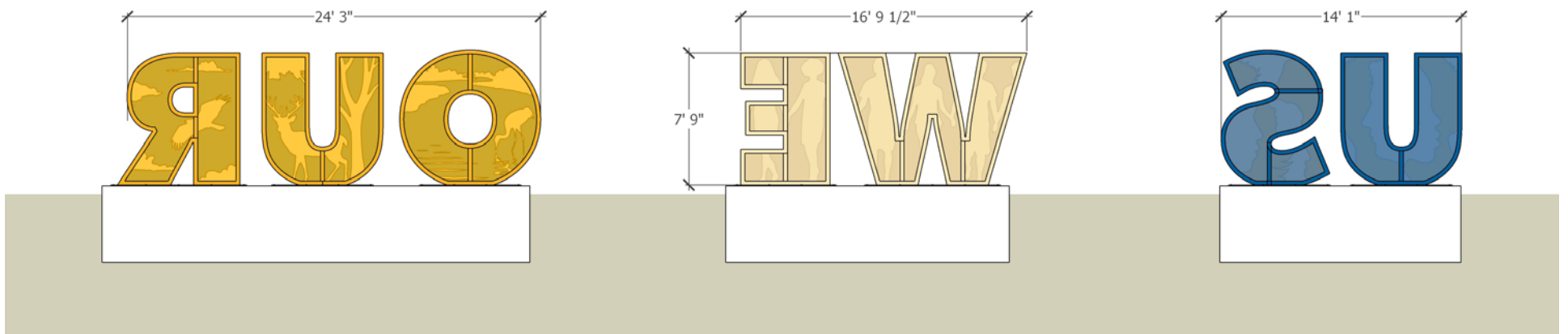
'US' rendering



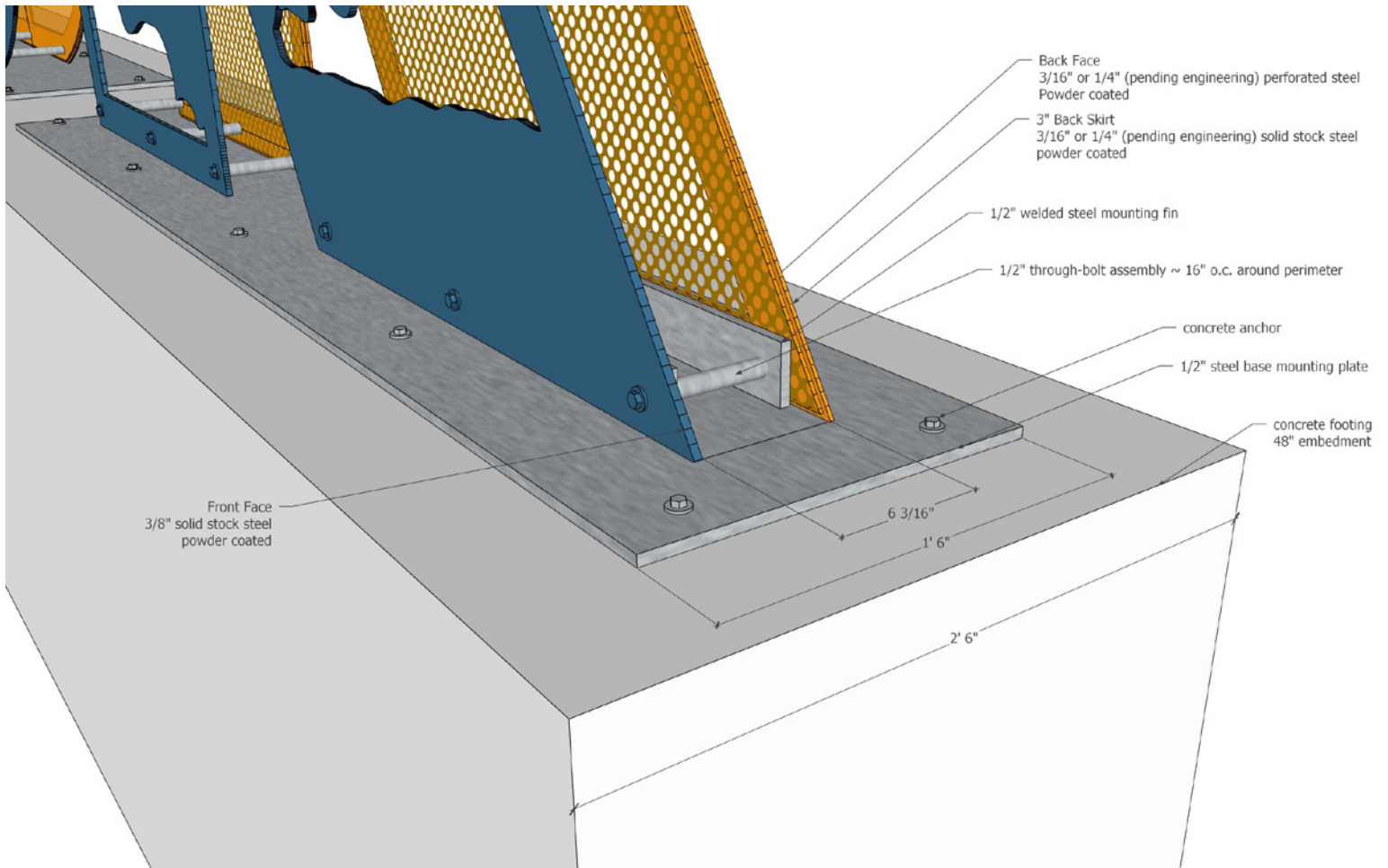
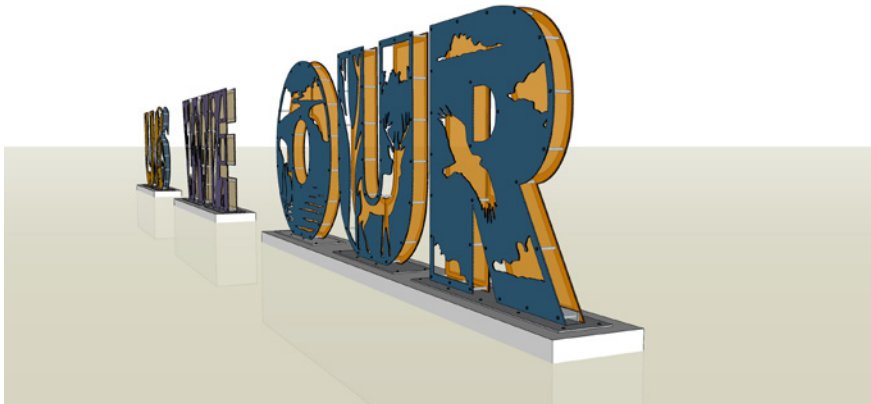
'OUR' rendering



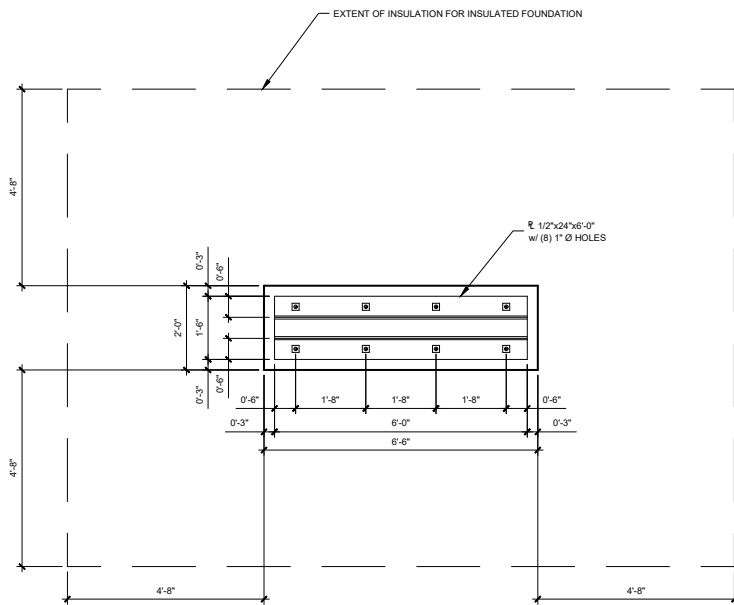
Front Elevation



Rear Elevation

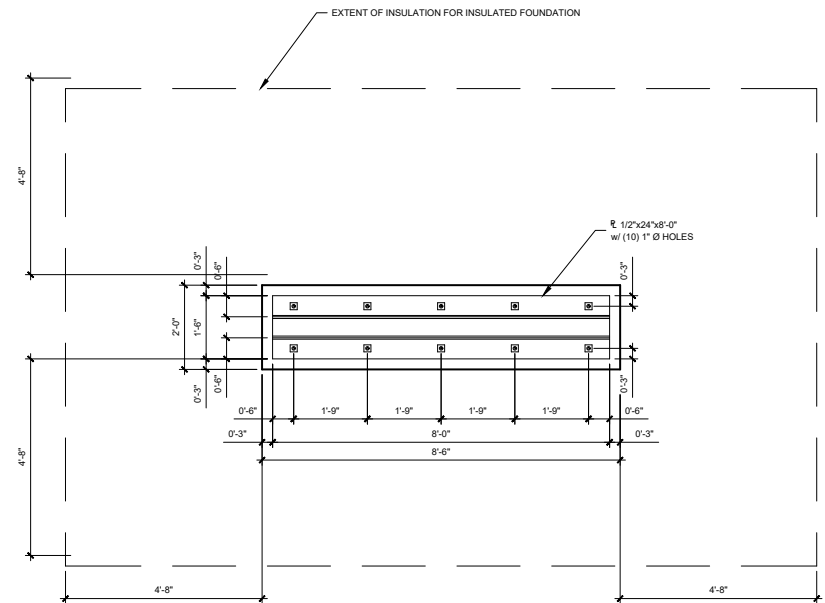


Assembly Detail



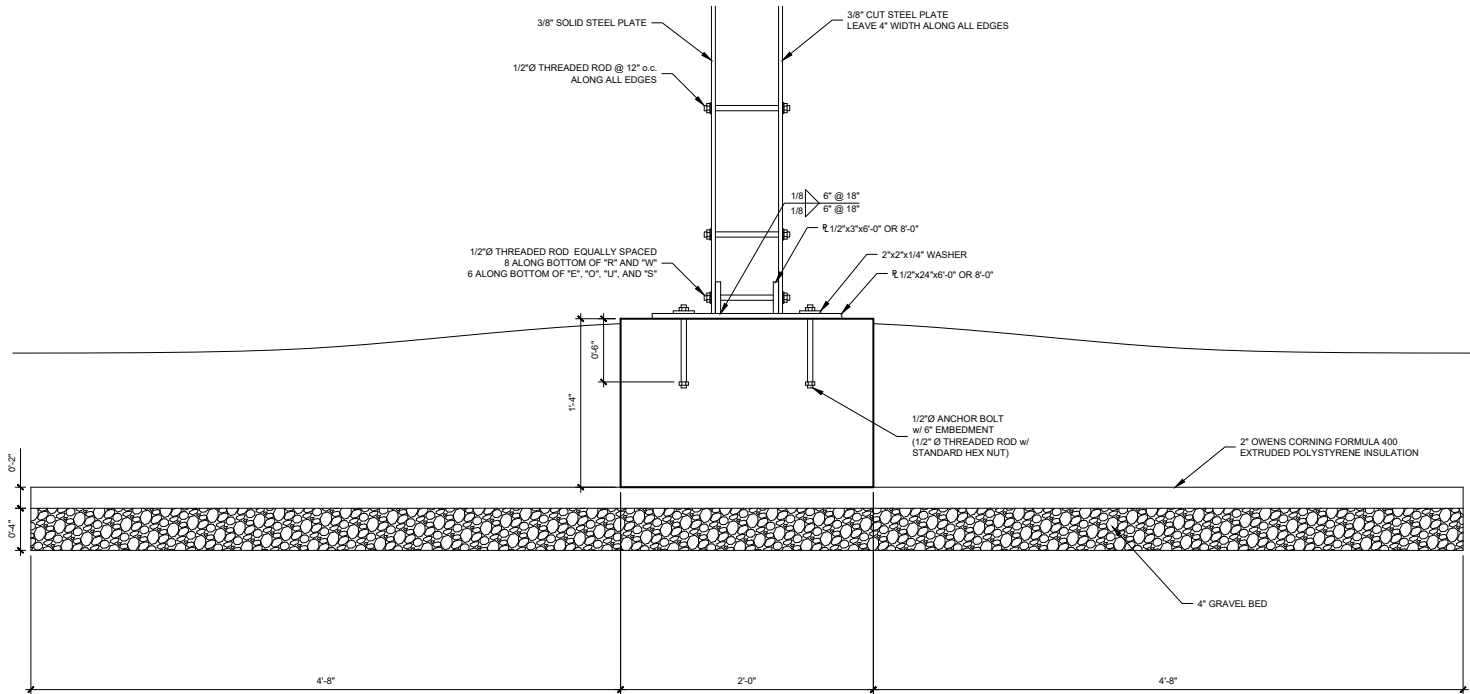
**PLAN - 6'-0" LONG BASE**

SCALE: 1/2" = 1'-0"



**PLAN - 8'-0" LONG BASE**

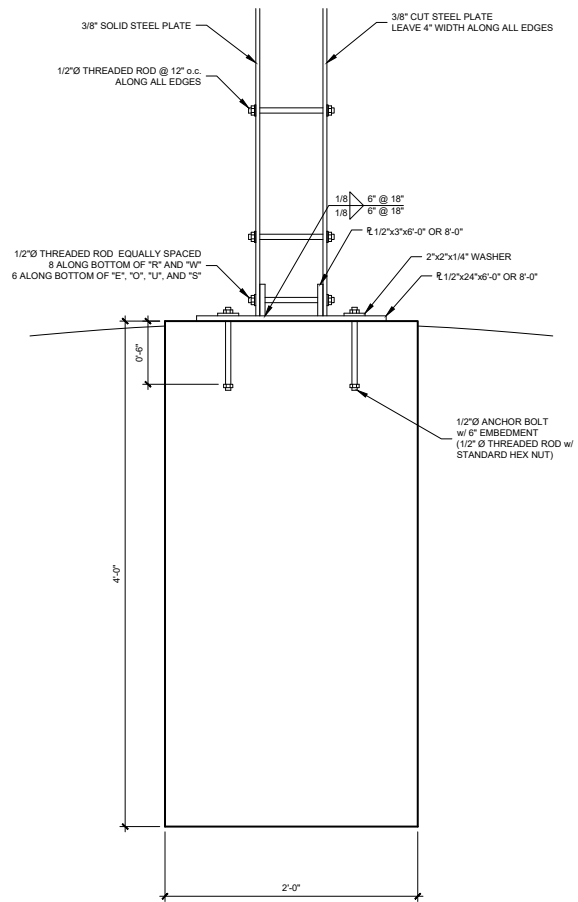
SCALE: 1/2" = 1'-0"



**SECTION - INSULATED FOUNDATION**

SCALE: 1 1/2" = 1'-0"





### SECTION - UNINSULATED FOUNDATION OPTION

SCALE: 1 1/2" = 1'-0"

<b>ITEM</b>	<b>PROVIDER</b>	<b>COST</b>	<b>NOTES</b>
Excavation, base material, form work, concrete	Bachmann Construction	12,000	
Crane, rough terrain forklift	Bachmann Construction	3,500	
Bolting installation	Ray Chi Studio and assistants	1,000	
Engineering fee	Richard A Devries Engineering	500	
Steel, solid and perforated material	Direct Metals	19,000	
Stainless Steel hardware	Bolt Depot	1,500	
Metal fabrication, color, delivery	V-Metals	20,000	
Artist fee	Ray Chi	10,000	
Contingency		2,500	
	Total	70,000	