

These dimensions are to the face of curb unless specified otherwise. The lane widths indicated shall not be reduced. This plan is not to scale.

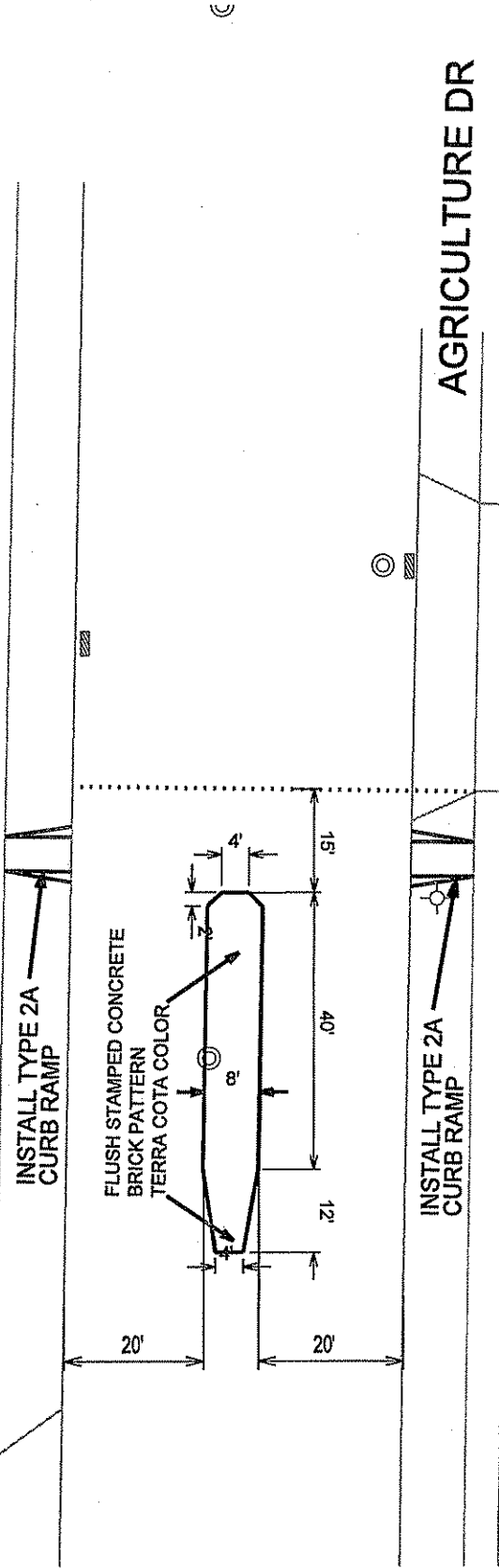
These plans may change based on neighborhood input, Alderperson requests, Fire Department and other emergency vehicle access requirements, Metro Transit access requirements and as determined by the Traffic Engineering Division.

All island noses shall have Mountable Median Noses per S.D.D. 3.13

All pedestrian street crossings shall be in compliance with the A.D.A. Guidelines.

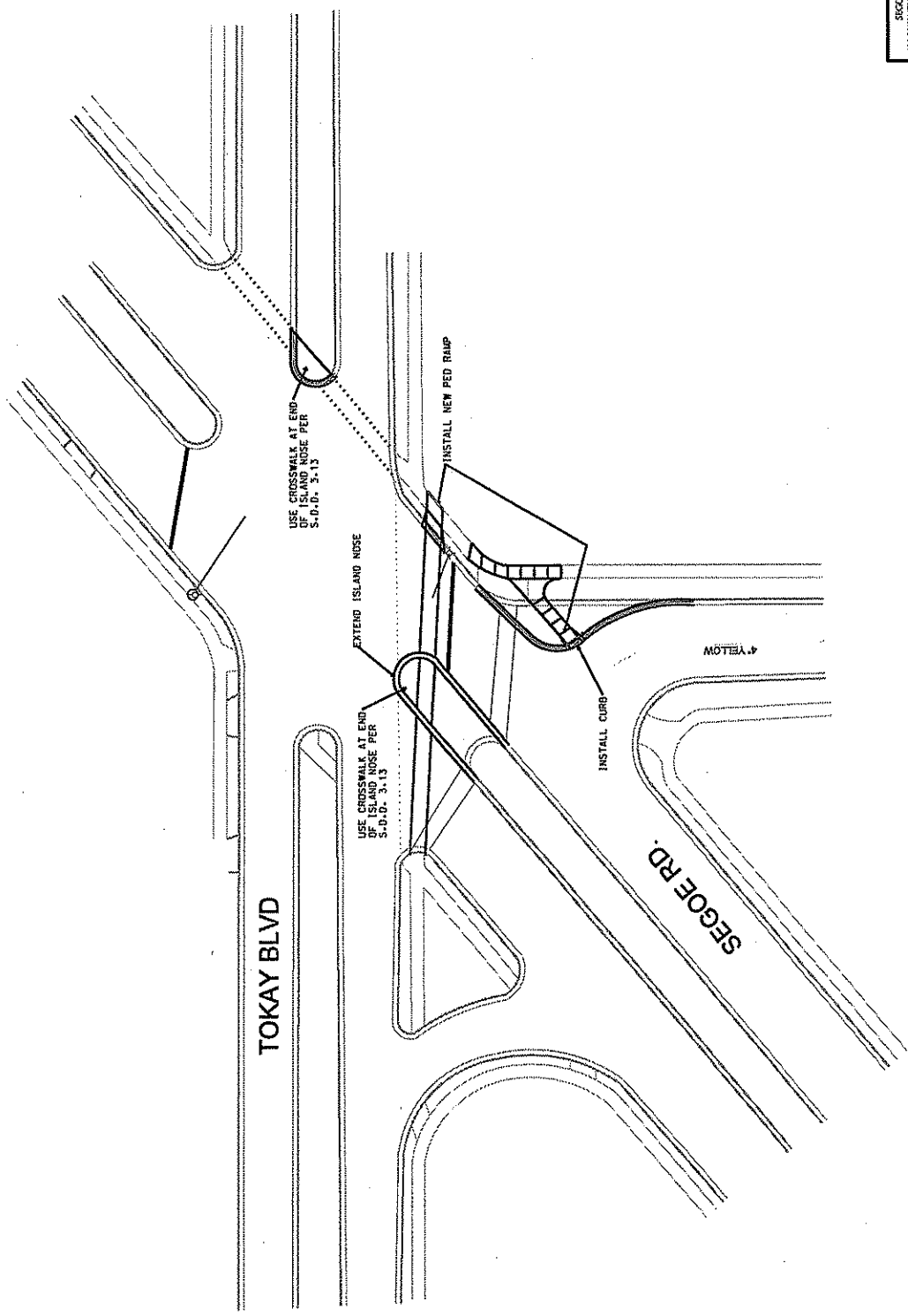
Agriculture Drive 2007 Traffic Calming Project Flush Mountabe Island at 3322 Agriculture Dr.

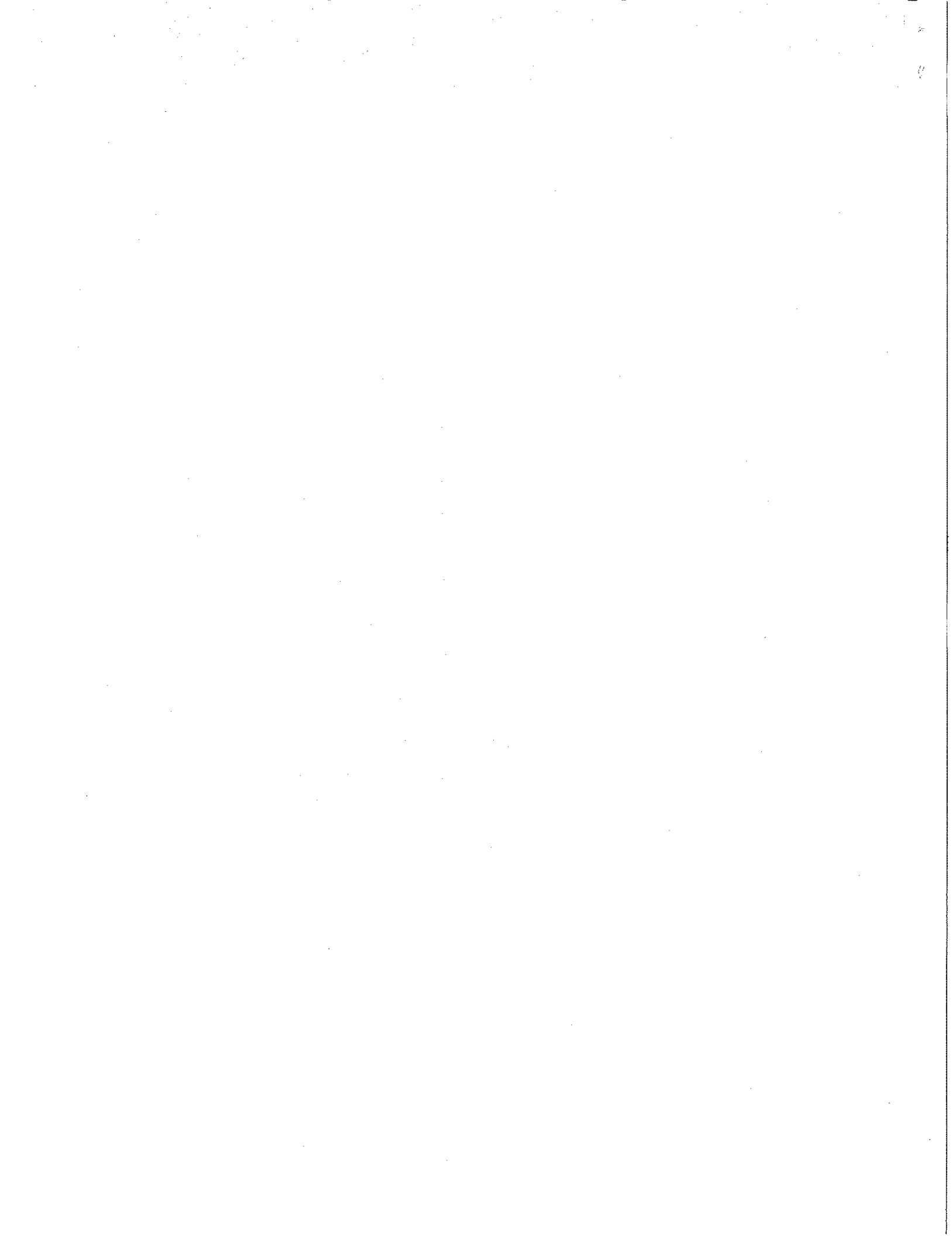
3322



3379

This plan was prepared based on approximate curb locations, which were obtained from an air photo. Field adjustments may be necessary to maintain the intent of the design. Contact the design engineer if conflicts are encountered or if there are any questions.





HAMMERSLEY-WHITNEY
INTERSECTION
MODIFICATION

HEMPSTEAD RD

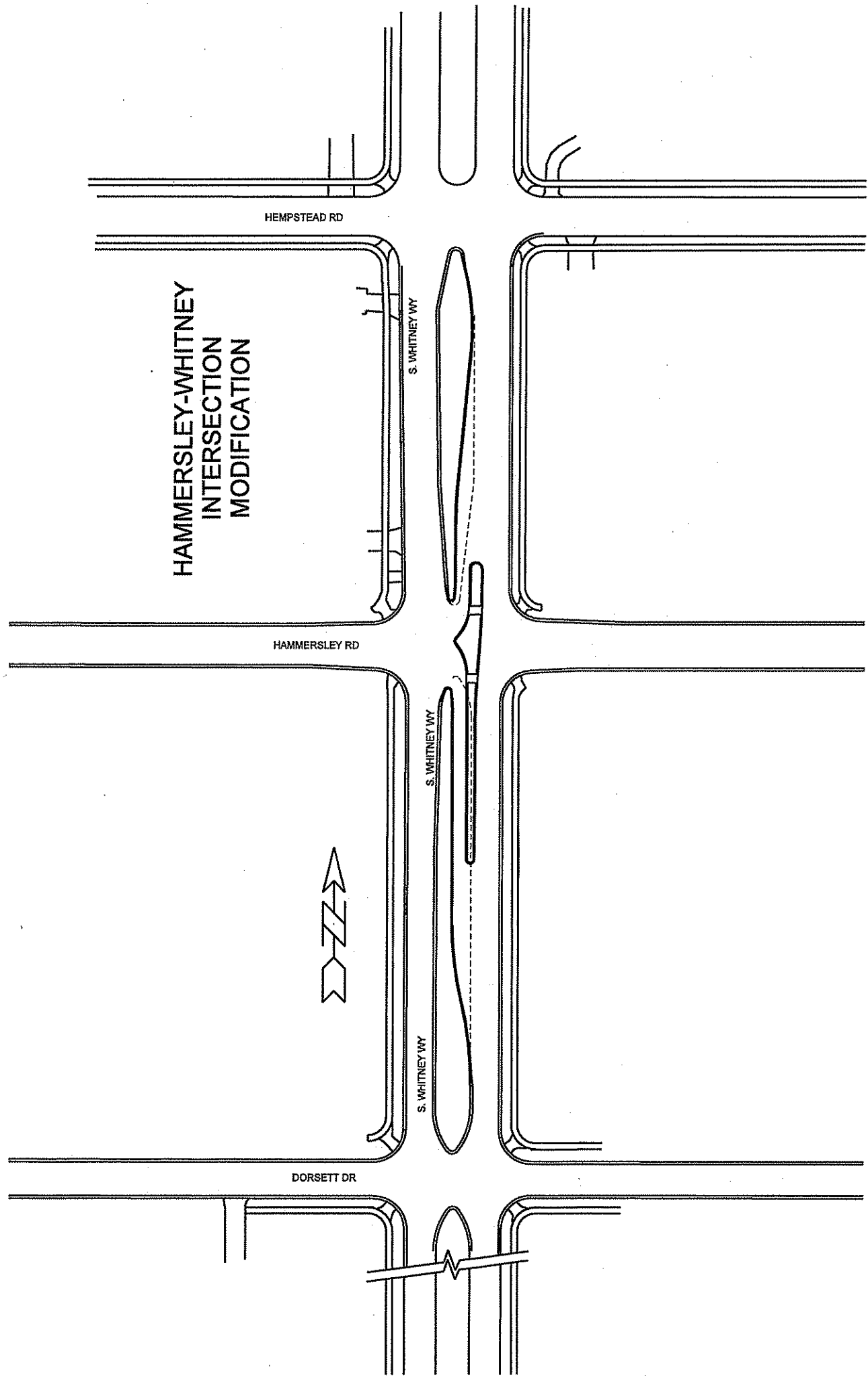
HAMMERSLEY RD

DORSETT DR

S. WHITNEY WY

S. WHITNEY WY

S. WHITNEY WY



HAMMERSLEY-WHITNEY
INTERSECTION
MODIFICATION

HEMPSTEAD RD

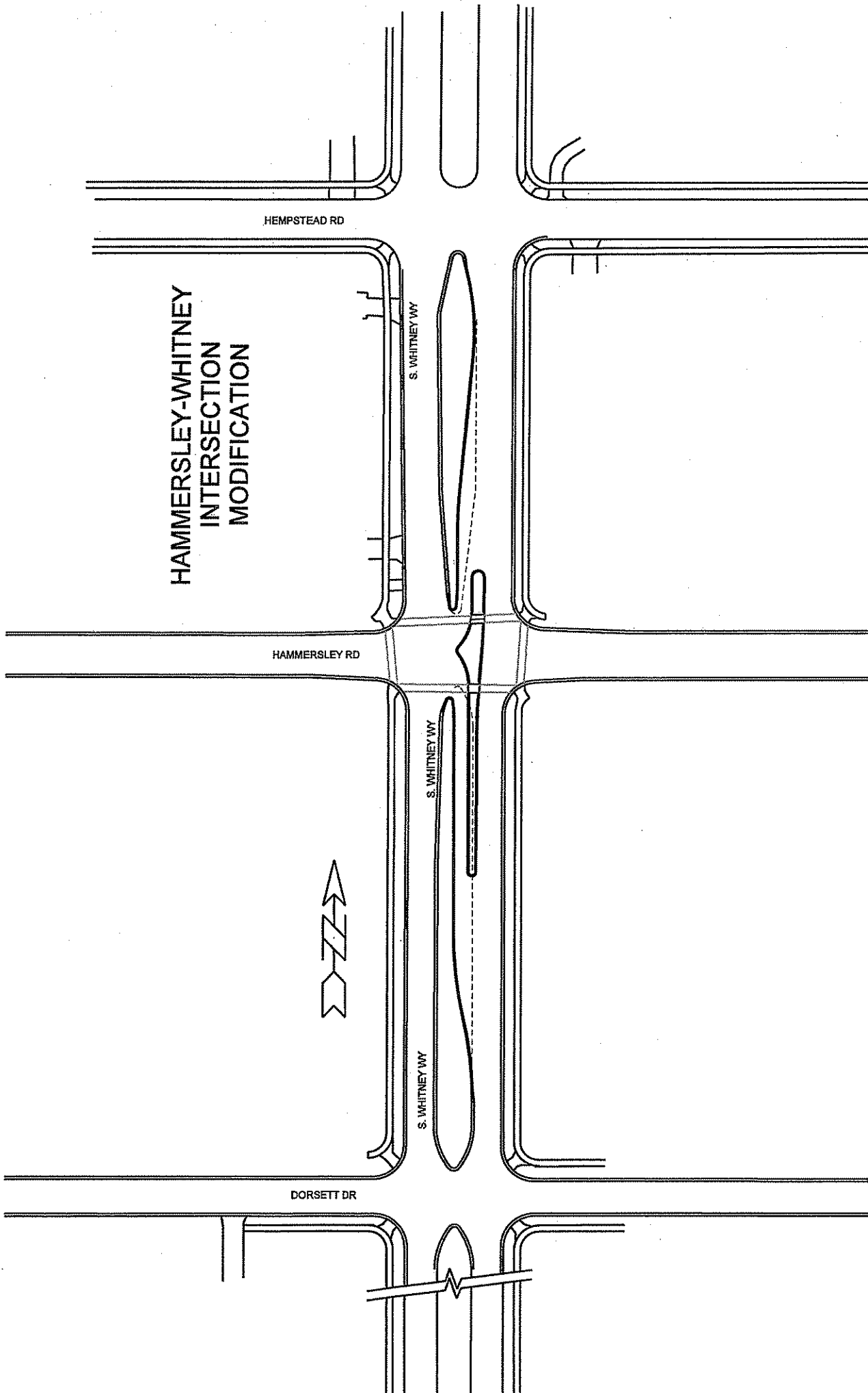
S. WHITNEY WY

HAMMERSLEY RD

S. WHITNEY WY

S. WHITNEY WY

DORSETT DR

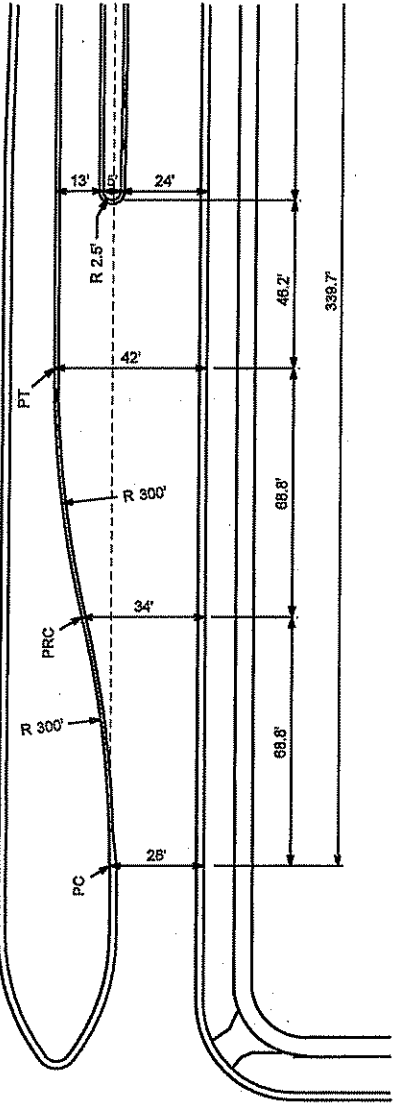
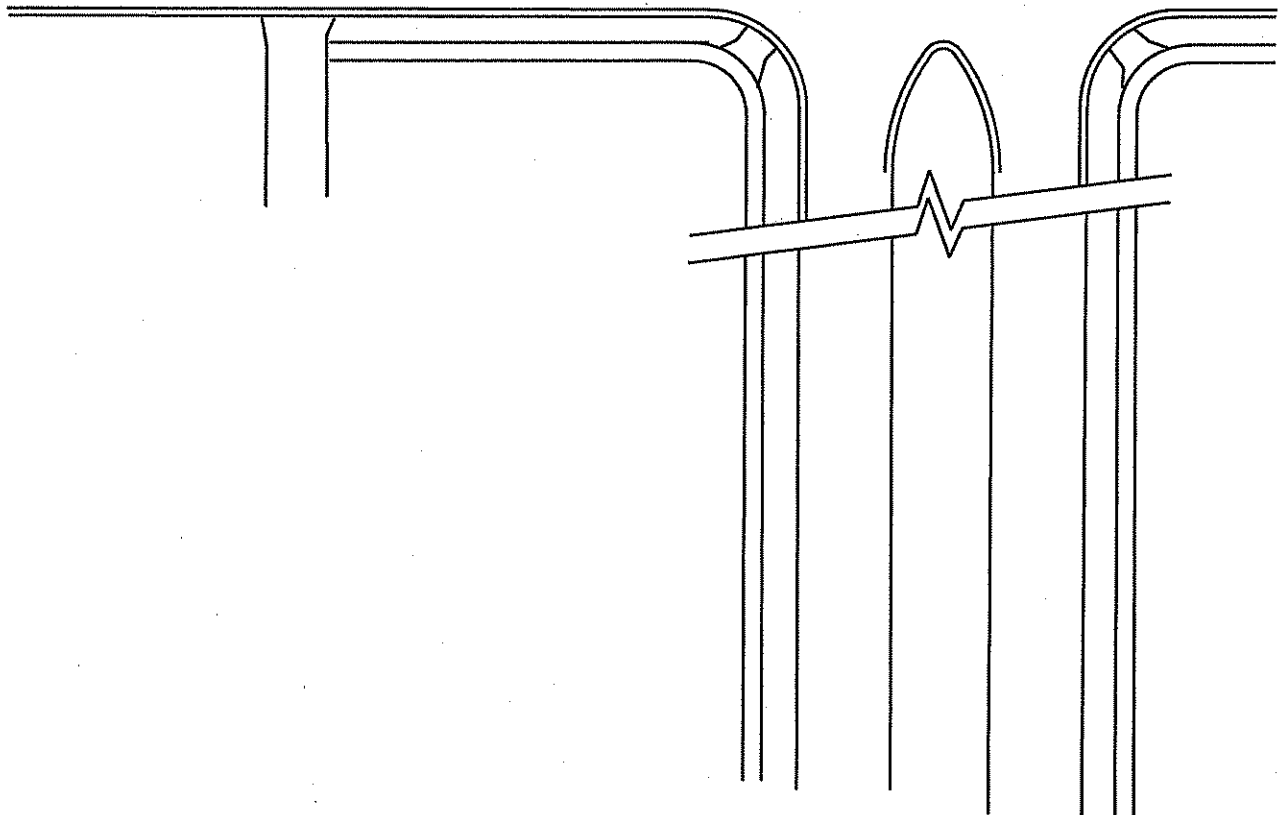


HAMMERSLEY-WHITNEY INTERSECTION MODIFICATION



DORSETT DR

S. WHITNEY WY



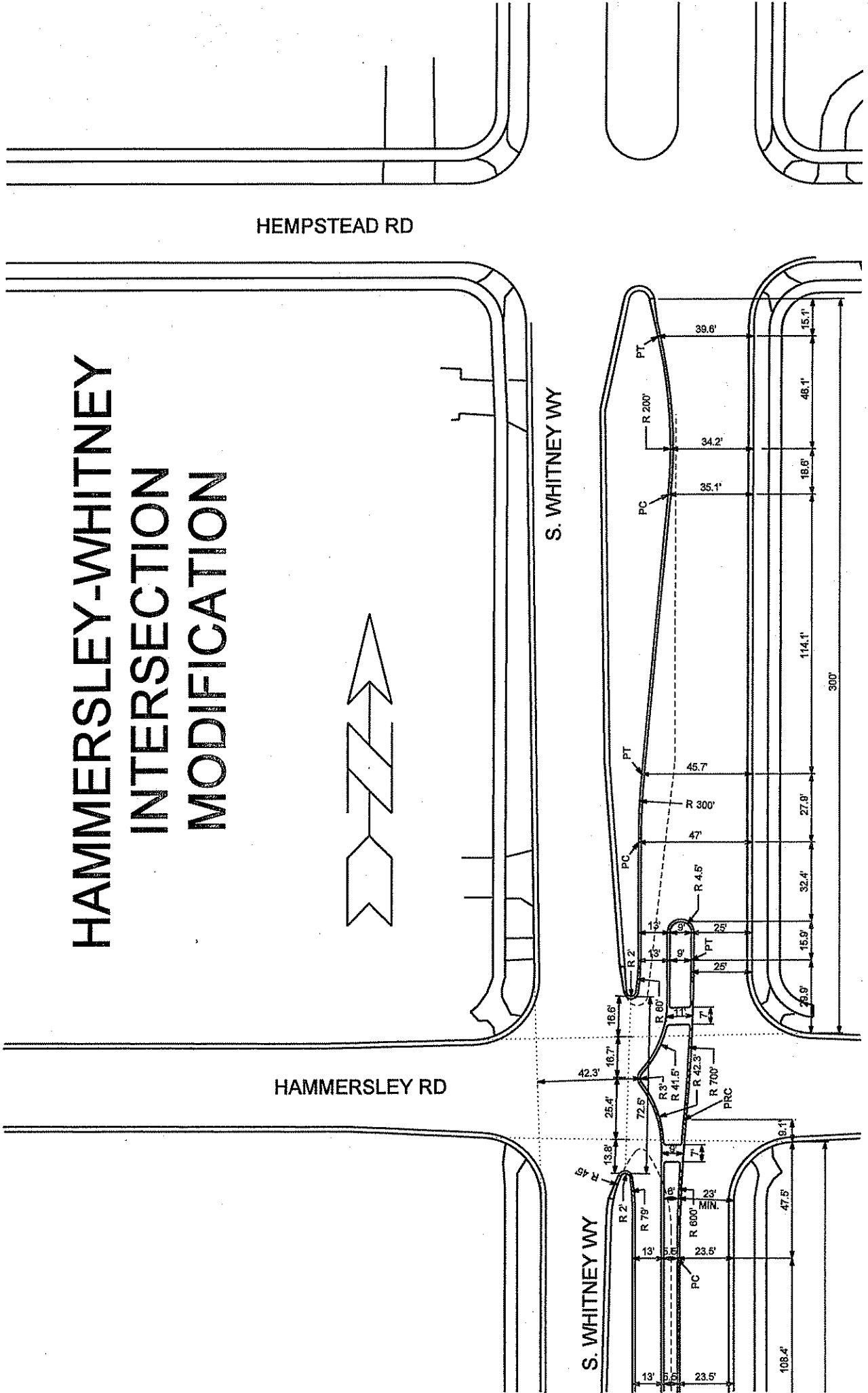
HAMMERSLEY-WHITNEY INTERSECTION MODIFICATION

HEMPSTEAD RD

S. WHITNEY WY

HAMMERSLEY RD

S. WHITNEY WY



HAMMERSLEY-WHITNEY INTERSECTION MODIFICATION



HEMPSTEAD RD

HAMMERSLEY RD

S. WHITNEY WY

S. WHITNEY WY

