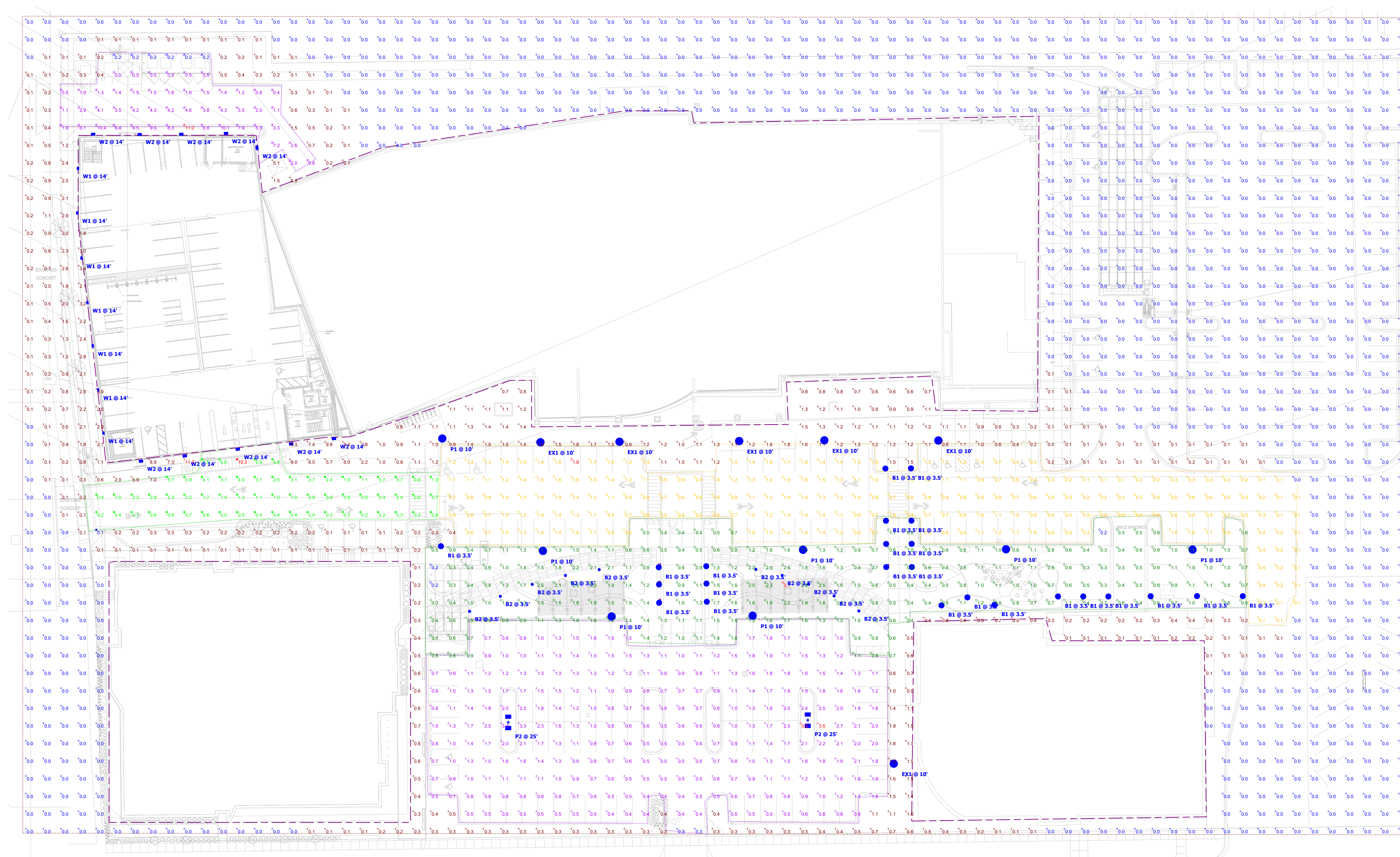


Image	Symbol	Label	Quantity	Manufacturer	Description	Catalog Number	Number Lamps	Lumens Per Lamp	Light Loss Factor	Wattage
		B1	24	FC Lighting	F00263FCB460AM		1	128	0.8	35.049
		B2	10	Forms+Surfaces	Light Column Bolard, version 2, Series 600		144	7	0.8	10.35
		EX1	6	Holophane	Washington Glass LED III, P10 LED Performance Package, 5000K CCT, Type V, Bud Final	WAE3 P30 50K XXXX GLS RD	1	8941	0.8	56
		P1	7	Holophane	Washington Glass LED III, P10 LED Performance Package, 5000K CCT, Type V, Bud Final	WAE3 P30 50K XXXX GLS RD	1	8941	0.8	56
		P2	2	Lithonia Lighting	K40 LED, 40 LED, 700mA MVOLT DRIVER, 5000K, TYPE 3 OPTICS.	K40 LED 40C 700 50K R3 MVOLT	1	11068	0.8	188
		W1	7	Lithonia Lighting	WDGE1 LED WITH P2 - PERFORMANCE PACKAGE, 5000K, 80CRI, VISUAL COMFORT FORWARD OPTIC.	WDGE1 LED P2 50K 80CRI VF	1	1992	0.8	15.0178
		W2	10	Lithonia Lighting	WDGE2 LED WITH P5 - PERFORMANCE PACKAGE, 5000K, 80CRI, VISUAL COMFORT FORWARD OPTIC.	WDGE2 LED P5 50K 80CRI VF	1	5984	0.8	48.44

Description	Symbol	Avg	Max	Min	Max/Min	Avg/Min
Calc Zone #2		0.6 fc	11.7 fc	0.0 fc	N/A	N/A
EAST PARKING		1.2 fc	3.5 fc	0.3 fc	11.7:1	4.0:1
PARKING		0.9 fc	1.8 fc	0.0 fc	N/A	N/A
SOUTH ENTRANCE		1.7 fc	10.3 fc	0.1 fc	103.0:1	17.0:1
SOUTH WEST ENTRANCE		3.1 fc	11.0 fc	0.2 fc	55.0:1	15.5:1
VILLAGE GREEN		1.0 fc	3.1 fc	0.2 fc	15.5:1	5.0:1



Plan View  
Scale - 1" = 30'



# FCB460A



Wildlife Lighting Certified  
by the Florida Fish & Wildlife  
Conservation Commission

<b>Date:</b>	<b>Approved:</b>
<b>Type:</b>	
<b>Fixture:</b>	
<b>Project:</b>	

**FCB460A** Exterior 316 stainless steel and die-cast aluminum bollard. Round 8-inch diameter and 43" tall, louvered bollard with optional house shield for 180° or 270° cut off. Certified by the Florida Fish & Wildlife Conservation Commission as approved for Wildlife Lighting in areas with protected environments. Designed and built to provide downward directed light completely surrounding the luminaire, or optionally, internally shielded to 180° or 90° light pattern.

## SPECIFICATIONS

### PHYSICAL

<b>dimensions</b>	43"H x 8"Dia. Ø
<b>weight</b>	25 lbs
<b>housing</b>	Marine grade 316 stainless steel housing
<b>lens</b>	Clear, heat resistant, tempered glass globe
<b>mounting</b>	Heavy gauge base bracketing for bollard installation provides a unique mounting solution, so the tower body anchors flush to the ground without the appearance of a base plate, anchor bolts included (j-box by others)
<b>ingress protection</b>	IP66: dry, damp, or wet locations with extruded silicone gasket to seal out contaminants
<b>finish</b>	Marine grade 316 stainless steel housing

### PERFORMANCE

<b>color temperature</b>	AMBER (no light below 560nm wavelength)
<b>lumen output</b>	128 lm
<b>lifetime</b>	> 70,000 hours / L70 or better
<b>color consistency</b>	3 SDCM / Standard: 85 CRI
<b>operating temperature</b>	-13°F to 104°F (-25°C to 40°C)
<b>junction temperature</b>	73°C @ T <sup>a</sup> 25°C
<b>warranty</b>	5-Year limited warranty (refer to website for details)

### ELECTRICAL

<b>input voltage</b>	Universal 120-277VAC   optional: 347 VAC (integral)   480 VAC (integral)
<b>power supply</b>	Integral Class II, electronic high-power factor > 94% @120V
<b>certification</b>	ETL / cETL Listed; Wildlife Friendly Lighting Certification #2018-049
<b>standards</b>	UL 1598 / CSA C22.2 No. 250.0 - Class II / IES LM-79 / LM-80
<b>power consumption</b>	35W @ 120V - 277V (maximum)
<b>dimming</b>	Standard: 0-10V (1%)



Due to continuous development and improvements, specifications are subject to change without notice. FC Lighting reserves the right to change lab test details or specifications without notice. Product use certifies agreement to FC Lighting terms and conditions.



# Ordering Information

ORDERING							
SERIES	VOLTAGE	HEIGHT	CCT	LUMENS	FINISH	OPTIONS	
<b>FCB460A</b>		<b>43</b>	<b>AM</b>	<b>1L</b>	<b>SS</b>		
<b>FCB460A</b>	<b>120V</b> 120 Volts	<b>43</b> 43"	<b>AM</b> Amber	<b>1L</b> 128 lm (35W)	<b>SS</b> Stainless Steel	<b>LD</b>	0-10V Dimming
	<b>277V</b> 277 Volts					<b>PE120</b>	Photo Eye for 120V
	<b>UNV</b> Universal 120-277V					<b>PE277</b>	Photo Eye for 277V
						<b>HS</b>	180° House Shield
						<b>HS2</b>	270° House Shield
						<b>BBUR</b>	Battery Backup Remote
						<b>SP20</b>	20kv Surge Protector
						<b>SP20 w/ BBUR</b>	Require two SP20 Surge Protectors

Due to continuous development and improvements, specifications are subject to change without notice. FC Lighting reserves the right to change lab test details or specifications without notice. Product use certifies agreement to FC Lighting terms and conditions.

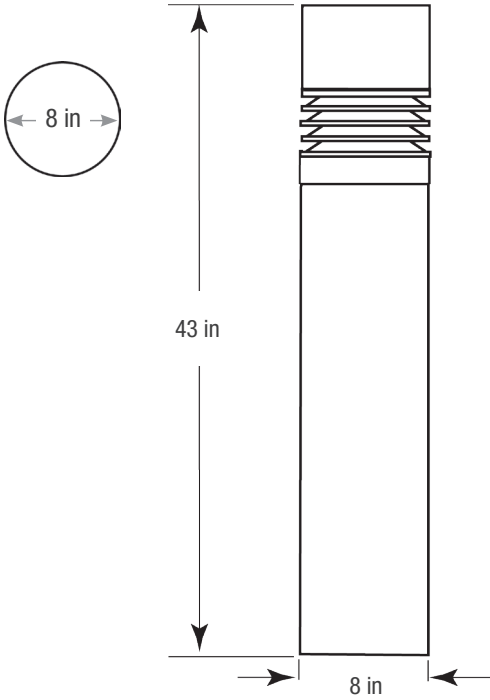
# FCB460A



## Physical

### PRODUCT DIMENSIONS - STANDARD PRODUCT

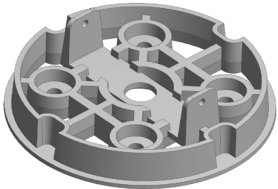
height	43" H
width	8" Ø W



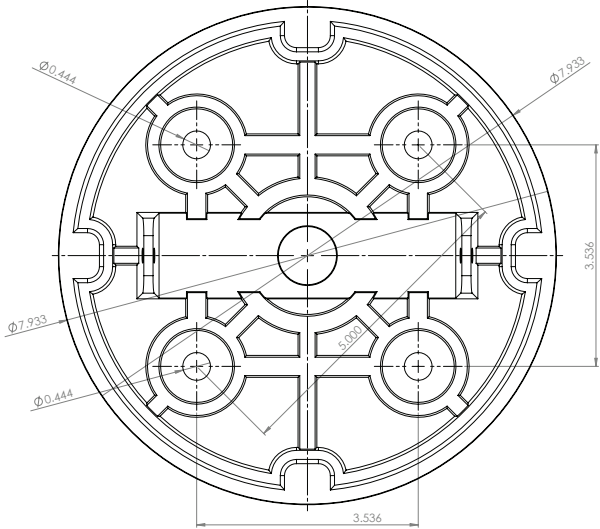
### MOUNTING

mounting plate diameter	7.933" Dia Ø
-------------------------	--------------

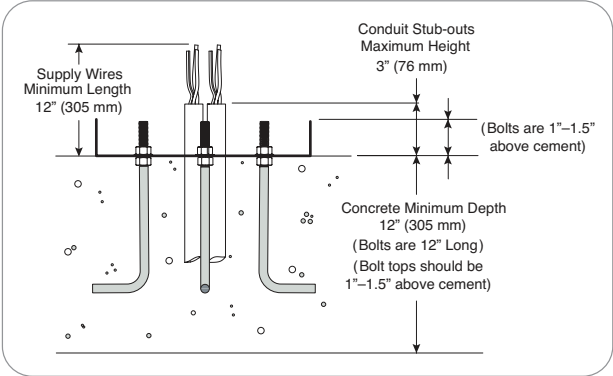
Anchor Bolt Part #	J10010
Quantity Required	4 for each bollard



mounting hole pattern



Concrete minimum depth 12"; 12" anchor bolts extend above cement, see installation instructions for detailed information.

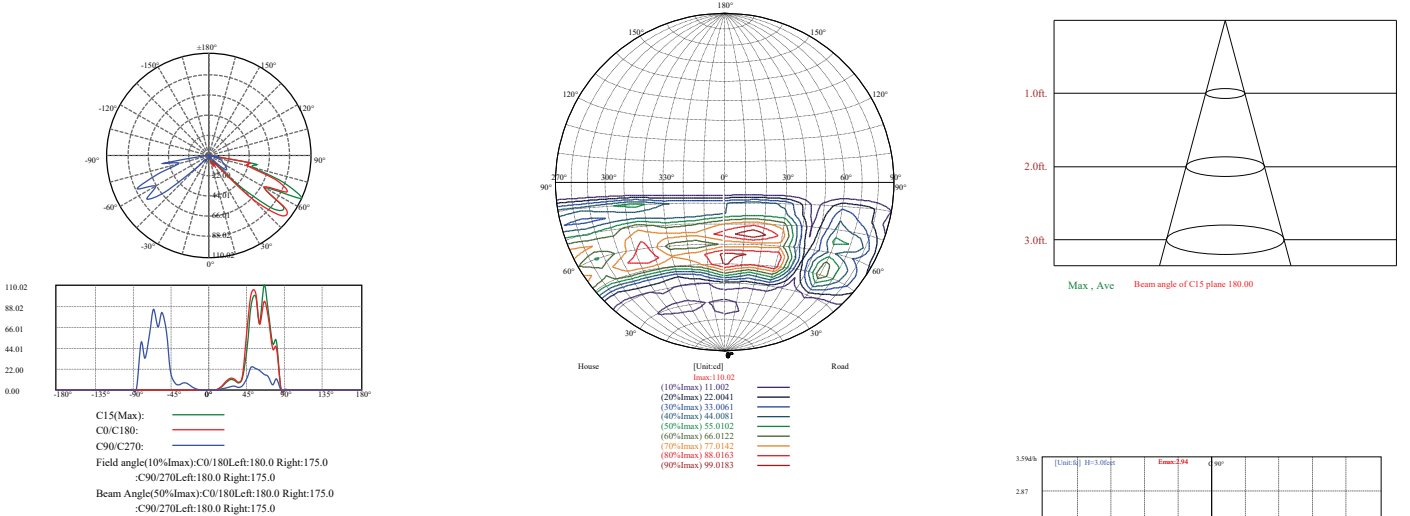


Due to continuous development and improvements, specifications are subject to change without notice. FC Lighting reserves the right to change lab test details or specifications without notice. Product use certifies agreement to FC Lighting terms and conditions.

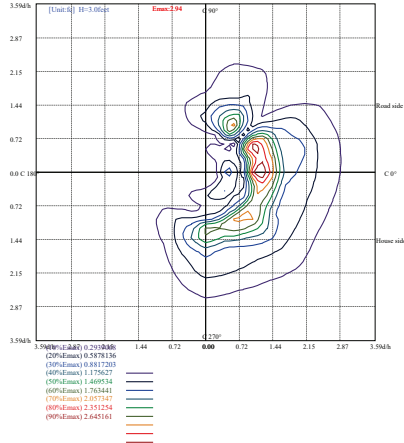
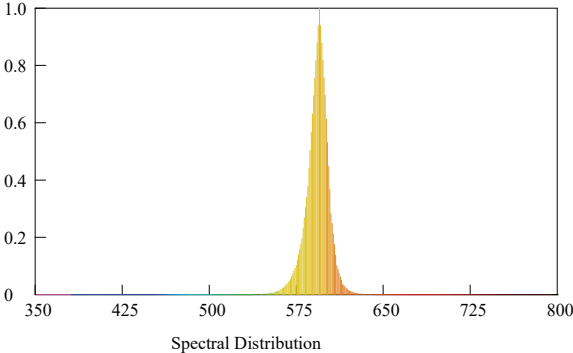


# Photometry

## OPTICAL DISTRIBUTION



### Spectroradiometric Parameters



## OPTIONS

- HS - 180° House Shield
- HS2 - 270° House Shield

FIND IES FILES ON [FCLIGHTING.COM](http://FCLIGHTING.COM)

Due to continuous development and improvements, specifications are subject to change without notice. FC Lighting reserves the right to change lab test details or specifications without notice. Product use certifies agreement to FC Lighting terms and conditions.



# LIGHT COLUMN BOLLARD

PRODUCT DATA





# LIGHT COLUMN BOLLARD

PRODUCT DATA

Sleek in stainless steel, the Light Column Bollard integrates into a wide range of settings and offers numerous design possibilities. Bollard columns are available in 5" or 6" diameters. Illumination options include LED lamps in white or RGBW, and multiple ways to direct light: no shield for symmetrical lighting, or 180° and 360° shields in standard or custom designs. Non-illuminated and S10-P1 security variations, and matching Light Column Pathway Bollards and Light Column Pedestrian Lighting make it easy to create a cohesive look across functionalities.

## MATERIAL & CONSTRUCTION DETAILS

CONFIGURATIONS	MATERIALS & FINISHES	LED LAMPS & DRIVER
<ul style="list-style-type: none"> <li>Light Column Bollards are available in two sizes. Series 500 columns are 5" (127 mm) diameter tubular stainless steel; Series 600 columns are 6" (152 mm) diameter tubular stainless steel.</li> <li>To complement the illuminated bollard, a non-illuminated version is also available in both Series 500 and Series 600.</li> <li>Bollards can be specified with a removable base, with the exception of the RGBW option.</li> <li>Weather resistant GFCI outlet for maintenance access is available for Series 600, illuminated, non-RGBW, non-security bollards.</li> <li>Door for optional GFCI outlet is accessed using a flathead screwdriver. See drawings on our website for details.</li> </ul>	<ul style="list-style-type: none"> <li>Illuminated bollards have a tubular stainless steel column, white-frosted acrylic lens, and a stainless steel head cap.</li> <li>Non-illuminated bollards are tubular stainless steel with welded stainless steel cap.</li> <li>Stainless steel is standard with a Satin finish and Ceramiloc treatment. See below for details</li> <li>For optional powdercoat colors see the Forms+Surfaces Powdercoat Chart. Custom RAL colors are available for an upcharge.</li> </ul>	<ul style="list-style-type: none"> <li>Custom LED light engine with Cree® LEDs.</li> <li>Features advanced LED technology with 3000K warm white and 4000K natural white LEDs.</li> <li>10W LED driver input power is 120-277V, -30°C starting temperature.</li> <li>Driver has forward-phase, reverse-phase and 0-10V dimming capabilities.</li> <li>LED driver certifications include: IP66 (waterproof) enclosure, and Class 2 rated output (UL8750)</li> </ul>
		RGBW LED LAMPS & DRIVER
SHIELD OPTIONS	WEIGHT	<ul style="list-style-type: none"> <li>RGBW LED board utilizing Cree® LEDs.</li> <li>RGBW, 4000K white, and dynamic white via DMX512 protocol and onboard decoder interface. Controller to be provided by others.</li> <li>96W LED driver with 100-277V input power, -30°C starting temperature.</li> <li>LED driver certifications include: IP66 (waterproof) enclosure, and Class 2 rated output (UL8750)</li> </ul>
<ul style="list-style-type: none"> <li>Five standard shield designs are available for an upcharge. Refer to page 3 for details.</li> <li>Custom shield designs with either 180° or 360° coverage are also available.</li> <li>Shields are offered for Series 500 and Series 600 illuminated and RGBW bollards.</li> </ul>	<ul style="list-style-type: none"> <li>Series 500, illuminated: 30 lbs (14 kg); non-illuminated: 32-33 lbs (15 kg)</li> <li>Series 600, illuminated: 34 lbs (15 kg); non-illuminated: 34-39 lbs (15-18 kg)</li> <li>Series 600, security core, illuminated: 170 lbs (77 kg); non-illuminated: 177 lbs (80 kg)</li> </ul>	

## CERAMILOC TREATMENT

Ceramiloc is an invisible surface treatment that offers significantly enhanced protection from weather and graffiti and increases the maintenance ease of stainless steel. Ceramiloc combines ceramic durability with an unparalleled ability to lock out water spots, fingerprints, graffiti and more. Patented technology bonds nano-silica particles to the surface of the stainless steel. The treatment minimally alters the surface appearance of the stainless and offers numerous benefits:

- Easily Cleaned:** The Ceramiloc treatment creates a surface that simultaneously resists fingerprints and is easy to clean. Water spots, grease marks and more can be quickly wiped away. It also creates an "anti-graffiti" surface – even permanent marker is easily removed with a clean microfiber towel and water.
- Durable:** Ceramiloc-treated materials are abrasion- and scratch-resistant. The treatment is permanent, UV stable, and will not degrade or discolor over time.
- Environmentally Sound:** The Ceramiloc treatment is a no-VOC, water-based process. Because Ceramiloc surfaces are so easily maintained, cleaning solutions and maintenance are kept to a minimum.

## INSTALLATION & MAINTENANCE

INSTALLATION	MAINTENANCE
<ul style="list-style-type: none"> <li>Standard mounting is surface mount with 1/2"-13x18" J-bolt anchors. 1/2" thick stainless steel base plate is slotted for rotational capability.</li> <li>S10 security bollards have an embedded security core and are available for Series 600 bollards, except for the RGBW option, for an upcharge.</li> <li>All bollards, except for the RGBW option, can be specified with a removable base.</li> <li>RGBW bollards are connected via a daisy-chained hard-wired control signal in and out of each bollard.</li> <li>Installation of a surge protector as part of each units wiring is recommended.</li> <li>Stainless steel mounting hardware sold separately. Templates are available upon request.</li> </ul>	<ul style="list-style-type: none"> <li>Metal surfaces can be cleaned as needed using a soft cloth or brush with warm water and a mild detergent. Avoid abrasive cleaners.</li> </ul>

T 800.451.0410 | [www.forms-surfaces.com](http://www.forms-surfaces.com)

**FORMS+SURFACES®**

© 2022 Forms+Surfaces® | All dimensions are nominal. Specifications and pricing subject to change without notice. For the most current version of this document, please refer to our website at [www.forms-surfaces.com](http://www.forms-surfaces.com).



# LIGHT COLUMN BOLLARD

PRODUCT DATA

## ILLUMINATED BOLLARDS

### LAMP DESCRIPTIONS

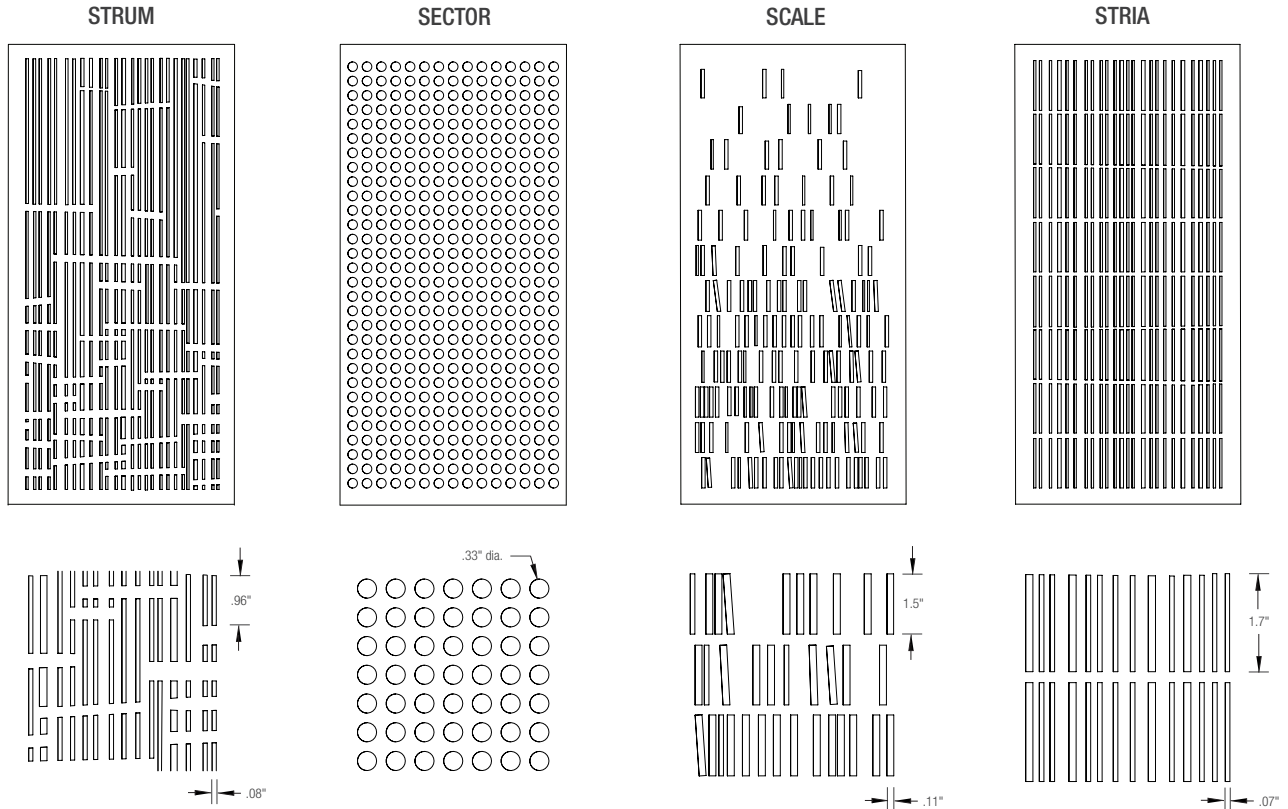
LAMP	DESCRIPTION	LUMINAIRE LUMENS*		B.U.G. RATING	LED STARTING TEMPERATURE °C
		500	600		
3000K LED	10W custom LED light engine	1006	990	B0-U3-G1	-30
4000K LED	10W custom LED light engine	1006	990	B0-U3-G1	-30
RGBW LED	78W custom LED light engine	varies	varies	varies	-30

\*Luminaire lumens represents the absolute photometry for the luminaire, and indicates the lumens out of the entire fixture.

**NOTE:** Polar candela and isofootcandle plots can be found on the Light Column Bollard product page on our website.

### STANDARD SHIELD DESIGNS

Shields are available in 180° or 360° configurations with standard or custom designs. Solid 180° shields are also available.







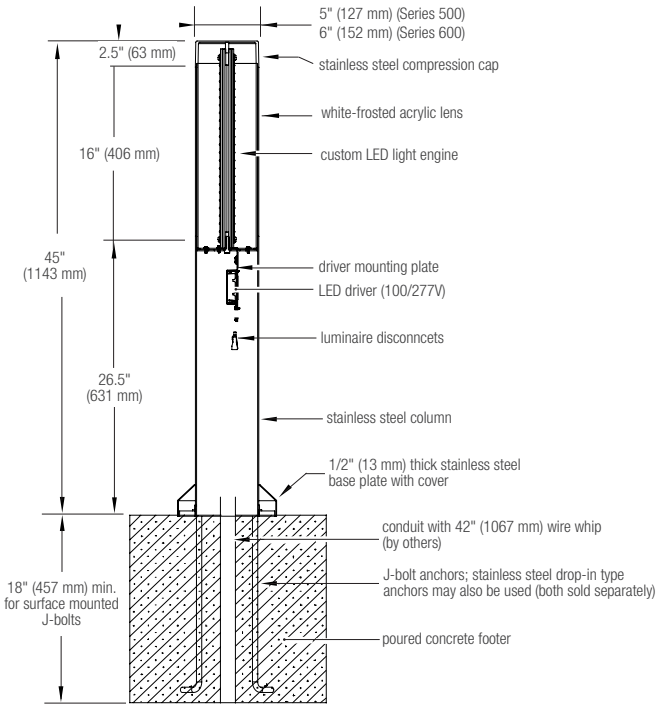
# LIGHT COLUMN BOLLARD

PRODUCT DATA

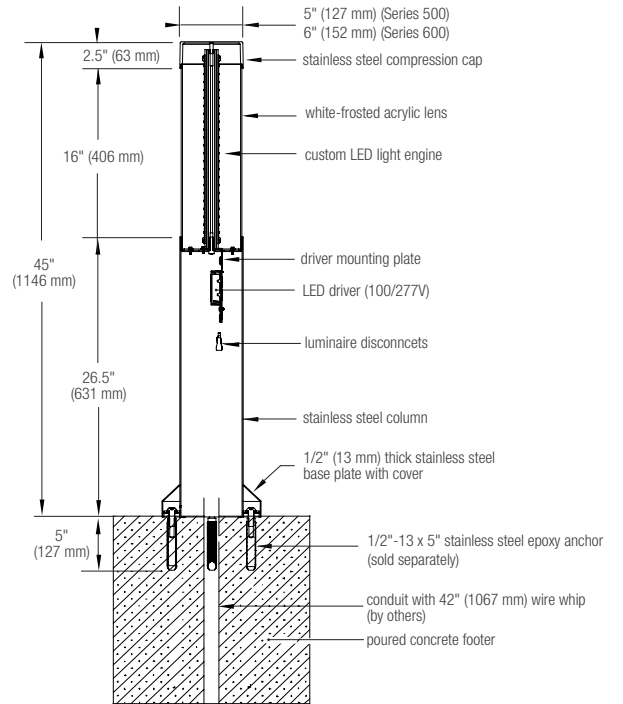
## ILLUMINATED BOLLARDS - CONTINUED

### NOMINAL DIMENSIONS

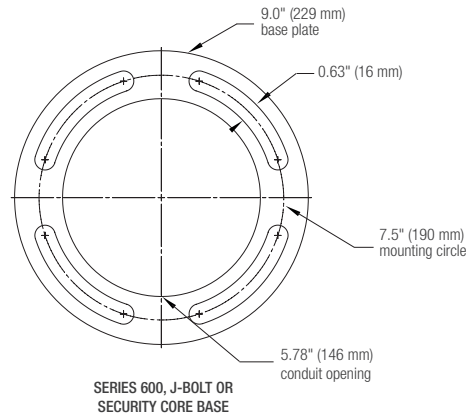
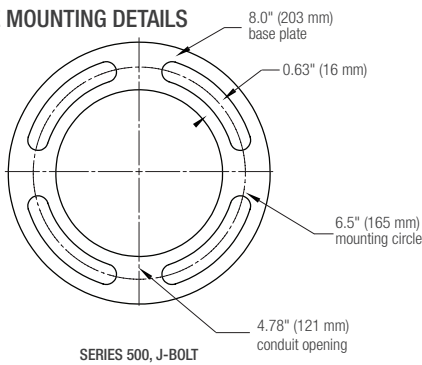
#### SURFACE MOUNT WITH J-BOLTS



#### SURFACE MOUNT WITH REMOVABLE BASE\*



#### BASE PLATE MOUNTING DETAILS



\* Not Available with RGBW LED option.

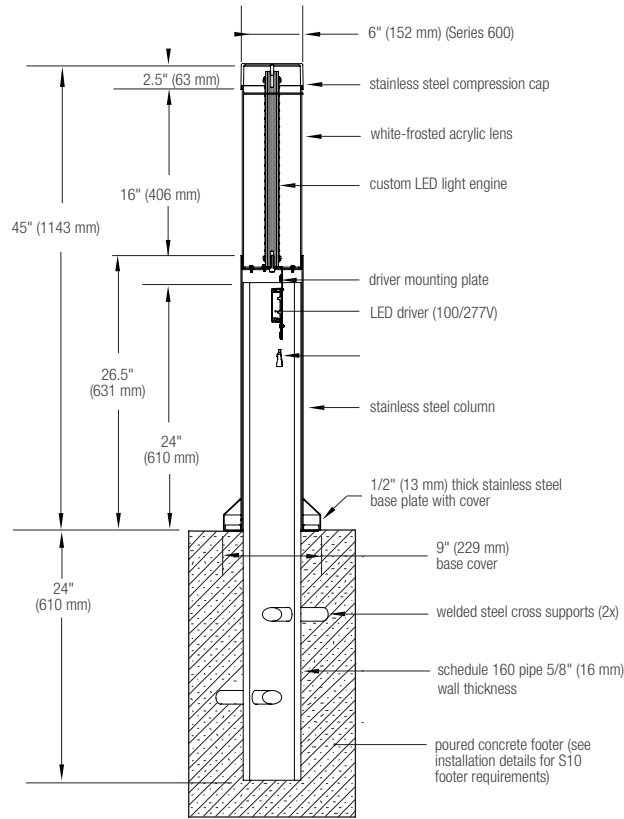


# LIGHT COLUMN BOLLARD

PRODUCT DATA

## ILLUMINATED BOLLARDS - CONTINUED

### NOMINAL DIMENSIONS - EMBEDDED SECURITY CORE\*



\* Not Available with RGBW LED option.

### OPTIONAL SECURITY CORE

Site security is a major concern in today's unpredictable world. Public and private buildings, government facilities, campuses and public parks are all susceptible to accidental, as well as deliberate, vehicle infringement. Design professionals, city planners, facilities managers and engineers must now be increasingly sensitive to the safety and security requirements of public and private spaces. Security bollards placed at ingress points are an excellent way to guard against vehicle infringement while allowing pedestrian access.

Most security bollards have taken the form of generic pipes and cylinders that offered little in the way of design or lighting functionality. An integral security solution is available as an optional enhancement to Forms+Surfaces' Light Column lighting bollards. By adding a pre-engineered and fully-tested security core to the existing Light Column design, we can offer a beautiful and efficient lighting bollard that also meets the stringent hi-impact crash requirements normally attained only with unattractive pipe barriers.

Light Column S10-P1 security bollards have been tested using a Finite Element Analysis (FEA) by a professional engineering consultant. FEA is a software-based tool commonly used in the automotive industry and used extensively for crash test simulations. Tests were performed using our bollard set in permanent concrete footings and struck by a vehicle at a 90 degree impact. The impact simulation found the bollards to be successful in stopping a 5,000 lb. small passenger vehicle going 10 mph with less than one meter penetration.

Our permanently embedded security cores are available for both illuminated and non-illuminated bollards. Please contact us to discuss design and installation considerations for Light Column bollards with security cores.



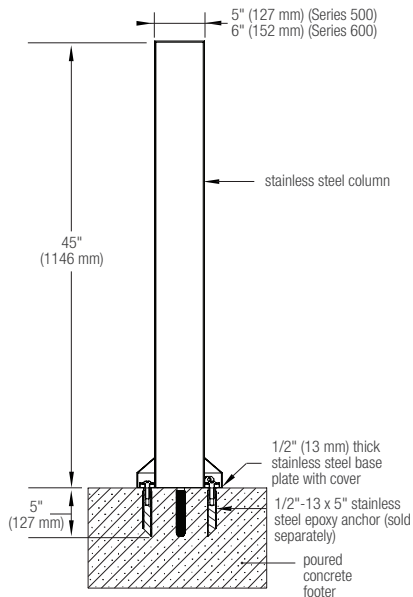
# LIGHT COLUMN BOLLARD

PRODUCT DATA

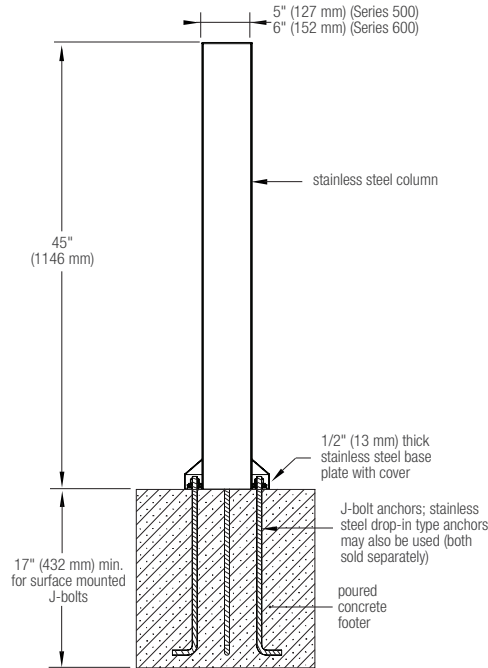
## NON-ILLUMINATED BOLLARDS

### NOMINAL DIMENSIONS

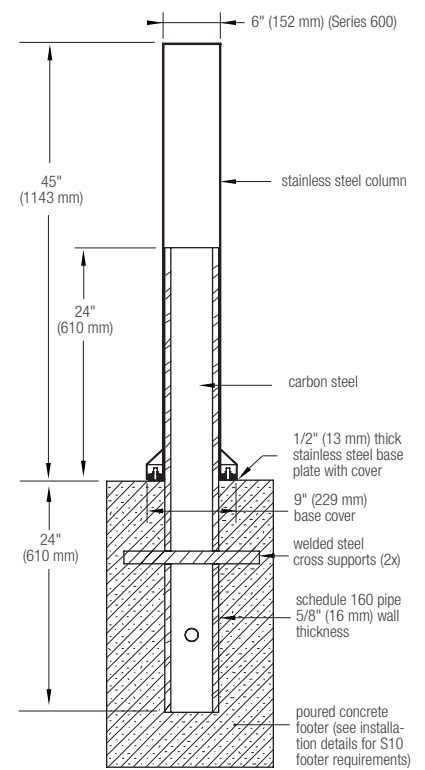
#### SURFACE MOUNT WITH REMOVABLE BASE



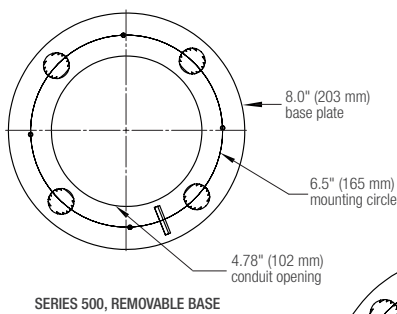
#### SURFACE MOUNT WITH J-BOLTS



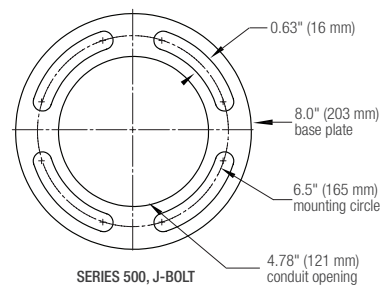
#### EMBEDDED SECURITY CORE



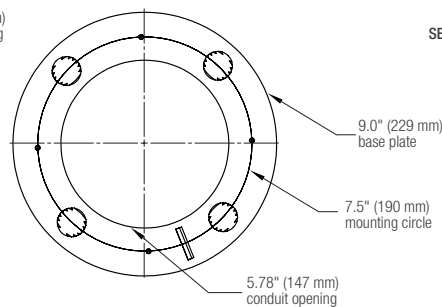
### BASE PLATE MOUNTING DETAILS



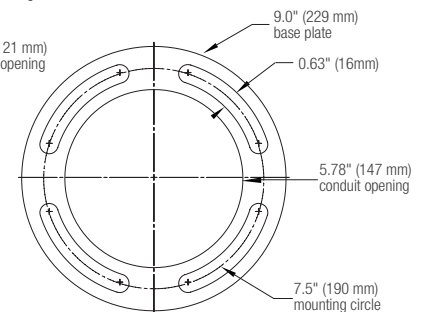
SERIES 500, REMOVABLE BASE



SERIES 500, J-BOLT



SERIES 600, REMOVABLE BASE



SERIES 600, J-BOLT OR SECURITY CORE BASE

T 800.451.0410 | www.forms-surfaces.com

**FORMS+SURFACES®**

© 2022 Forms+Surfaces® | All dimensions are nominal. Specifications and pricing subject to change without notice. For the most current version of this document, please refer to our website at www.forms-surfaces.com.



# LIGHT COLUMN BOLLARD

PRODUCT DATA

## CERTIFICATIONS

- ETL and C-ETL listed for wet locations.

## ENVIRONMENTAL CONSIDERATIONS

- Please refer to the Light Column Bollard Environmental Data Sheets for detailed environmental impact information.
- Light Column Bollard has high recycled content and is highly recyclable.
- Powdercoat finishes are no- or low-VOC, depending on color.
- Low maintenance.

## MODEL NUMBERS AND DESCRIPTIONS

MODEL	DESCRIPTION
LBLCB-504	Light Column Bollard, Series 500, illuminated
LBLCB-604	Light Column Bollard, Series 600, illuminated
LBLCB-504-RGBW	Light Column Bollard, Series 500, illuminated, RGBW
LBLCB-604-RGBW	Light Column Bollard, Series 600, illuminated, RGBW
LBLCB-504-N	Light Column Bollard, Series 500, non-illuminated
LBLCB-604-N	Light Column Bollard, Series 600, non-illuminated

## PRODUCT OPTIONS

The following options are available for an upcharge

Upgrade to embedded security core (available for Series 600)*	Add 360° custom shield (customer-supplied artwork)
Upgrade to removable base*	Add GFCI outlet (available for Series 600, illuminated, non-security bollards)*
Add stainless steel mounting hardware	Add powdercoat color from Forms+Surfaces Powdercoat Chart
Add 180° shield in standard designs	Custom RAL powdercoat color
Add 360° shield in standard designs	Custom fixture height
Add 180° custom shield (customer-supplied artwork)	

\*Not available with RGBW LED option.

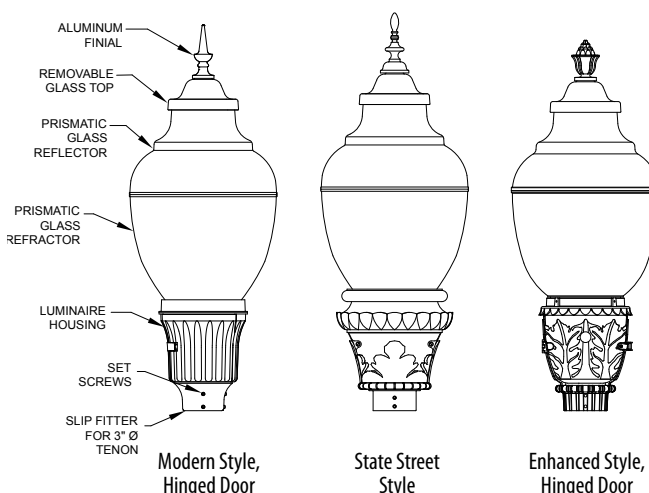
**LEAD TIME:** 6 to 8 weeks. Shorter lead times may be available upon request. Please contact us to discuss your specific timing requirements.

**PRICING:** Please contact us at **800.451.0410** or **sales@forms-surfaces.com**. At Forms+Surfaces, we design, manufacture and sell our products directly to you. Our sales team is available to assist you with questions about our products, requests for quotes, and orders. Territory Managers are located worldwide to assist with the front-end specification and quoting process, and our in-house Project Sales Coordinators follow your project through from the time you place an order to shipment.

**TO ORDER SPECIFY:** Quantity, model, finish, lamp, shield (if applicable), and mounting. Quote/Order Forms are available on our website to lead you through the specification process in a simple checkbox format.

**NOTE:** Because different computers will render colors and textures differently, actual colors and finishes may vary slightly from those shown here.

Catalog Number	
Notes	Type



	Modern Style, Hinged Door	State Street Style	Enhanced Style, Hinged Door
Maximum weight:	65 lbs.	80 lbs.	80 lbs.
Maximum effective projected area:	2.26 sq. ft.	2.26 sq. ft.	2.26 sq. ft.

## WAE3

Washington Postlite LED3 Series



### SPECIFICATIONS

#### General Description

The Washington Postlite LED 3 Utility is styled to replicate the acorn luminaires that lighted streets in the first half of the 20th century. Designed for superior light control, ease of installation, and maintenance, the Washington Postlite has a precision prismatic glass optical system for true street lighting performance as well as beauty. The large acorn-shaped luminaire, contains a powerful, stalk-mounted Chip-On-Board, LED platform with a precision optical system that maximizes post spacings while maintaining uniform illumination.

#### Mechanical Specifications

The luminaire housing shall:

- Be heavy grade A360 cast aluminum(aluminum with <1% copper)
- The glass optic is bolted onto to a gasketed top housing plate, using three stainless steel bolts that form an IP66 seal of the optical assembly.
- The housing provides an enclosure for a plug-in electrical module
- The housing accepts 3" high by 2-7/8" to 3-1/8" O.D. pole tenon and offers stainless steel set screws to securely fasten the luminaire to pole tenon

Available in three styles:

- MS Housing: Fluted decorative housing with hinge-door, tool-less entry
- EN Housing: Leaf-styled decorative housing with hinge-door, tool-less entry
- STS Housing: Leaf-styled decorative housing with pop-off door

The finish shall:

- Utilize a polyester power coat paint to ensure maximum durability
- Rigorous multi-stage pre-treating and painting process yields a finish that achieves a scribe creepage rating of 8 (per ASTM D1654) after over 5000 hours exposure to salt fog chamber (operated per ASTM B117) on standard and RAL finish options.
- RAL (RALxxxxSDCR) paint colors are Super Durable Corrosion Resistant, 80% gloss.

#### Electrical Specifications

The driver shall meet the following requirements:

- Certified by UL or CSA for wet locations
- A programmable electronic driver with 0-10V dimming control leads
- LEDs shall have a minimum of 70 CRI and available in 2700K, 3000K, 4000K, and 5000K CCT
- The electrical system shall be designed to meet ANSI/IEEE C62.41.2 and shall offer a 10kV/5kA surge protection, fail off, as standard with an upgradable 20kV/10kA surge protection, fail off with indicator light, option
- Lumen output can be customized prior to manufacturing by way of FPDxx Options
- The electrical components are mounted on an aluminum plate that is removeable with minimum use of tools. A matching five conductor plug connects to the receptacle in the luminaire housing to complete the wiring. For photoelectric operation, the electrical module is provided with an EEL-NEMA twist-lock photocell receptacle.

#### Optical Specifications

The optical system is IP66 rated and consists of a precisely molded thermal resistant borosilicate glass refractor and top reflector mounted within various decorative ribs and banding configurations. The top reflector redirects over 50% of the upward light into the controlling refractor while allowing a soft up-light component to define the traditional acorn shape of the luminaire. The lower refractor uses precisely molded prisms to maximize pole spacings while maintaining uniform illuminance. Two refractors are available, designed for IES type III and V distributions. Lunar Optics shielding is available for asymmetric and symmetric distributions.

#### Control Options

The control options shall include, but not limited to, the following:

- Field adjustable output to adjust output to luminaire - AO
- Long life photocontrol, 20 years – PCLL, P34 and P48 with DTL
- 3 and 7 pin receptacles internally in housing (PR3, PR7) or inside glass mounted (PR7E)
- nLight Air rSBOR6 outdoor fixture-mounted motion and photo-sensor, features a dual radio to communicate wirelessly to other nLight Air devices for group response to motion, on/off control in response to daylight and by switch, RSBOR6
- Fixture embedded nLight Air network interface for individual fixture control and dimming, NLTAIR2

#### Certification and Standards

- Luminaire shall be UL or CSA
- Suitable for operation in an ambient temperature up to 40°C / 105°F per UL or CSA certification
- LM79 compliant
- DesignLights Consortium® (DLC) Premium qualified product and DLC qualified product. Not all versions of this product may be DLC Premium qualified or DLC qualified. Please check with the DLC Qualified Products List at [www.designlights.org/QPL](http://www.designlights.org/QPL) to confirm which versions are qualified.

#### BUY AMERICAN

This product is assembled in the USA and meets the Buy America(n) government procurement requirements under FAR, DFARS and DOT. Please refer to [www.acuitybrands.com/resources/buy-american](http://www.acuitybrands.com/resources/buy-american) for additional information.

#### Warranty – 5 Years Limited

Complete warranty terms located at:

[www.acuitybrands.com/support/warranty/terms-and-conditions](http://www.acuitybrands.com/support/warranty/terms-and-conditions)

**Note:** Actual performance may differ as a result of end-user environment and application. All values are design or typical values, measured under laboratory conditions at 25 °C.

**ORDERING INFORMATION**

**Example:** WAE3 P30 30K MVOLT MS GL3 BK BBR TBK AO

Series	LED Performance Package	LED Color temperature	Voltage	Housing Style
WAE3 Washington Postlite LED3	P10 3,200 nominal lumens P20 5,300 nominal lumens <b>P30 8,100 nominal lumens</b> P40 11,200 nominal lumens P50 13,300 nominal lumens P60 16,200 nominal lumens P70 19,100 nominal lumens	27K 2700K CCT 30K 3000K CCT 40K 4000K CCT <b>50K 5000K CCT</b>	<b>MVOLT Auto-Sensing 120-277V 56/60 HZ</b> HVOLT Auto-Sensing 347-480V 56/60 HZ	<b>MS Modern Style, Hinged Door</b> EN Enhanced Style, Hinged Door STS State Street Style

Optics	Housing Color	Trim	Trim Color
GL3 Glass, Type III	<b>BK Black</b>	BD Bud Finial	<b>TBK Black</b>
<b>GL5 Glass, Type V</b>	BZ Bronze	<b>SK Spike Finial</b>	TBZ Bronze
GL3LU Glass, Type III Lunar Optic	GH Graphite	OR Ornate Finial	TGH Graphite
GL5LU Glass, Type V Lunar Optic	GN Green	BBR Bud Finial, Band and Ribs	TGL Gold
	GR Grey	SBR Spike Finial, Band and Ribs	TGN Green
	PP Prime Paint	OBR Ornate Finial, Band and Ribs	TGR Grey
	WH White	BMB Band, Medallions and Bud Finial	TPP Prime Paint
	CMC Custom Match Color Finish	BMS Band, Medallions and Spike Finial	TWH White
	XX Standard finish, TBD	BMO Band, Medallions and Ornate Finial	TCMC Custom Match Color Finish
	RALxxxxSDCR RAL Super Durable Corrosion Resistant, 80% Gloss Paint, replace xxxx with RAL number.		TXX Standard Finish, TBD
			TRALxxxxSDCR RAL Super Durable Corrosion Resistant, 80% Gloss Paint, replace xxxx with RAL number.

**Options:** Option Compatibility Matrix on page 3 of 4

CONTROLS OPTIONS	DRIVER ELECTRICAL OPTIONS	PREWIRED LEAD OPTIONS	COVER OPTIONS
AO Field Adjustable Output	FPDxx Factory Programmed Driver	L1H 1.5 ft prewired leads	<b>FC Full Cover</b>
PR3 NEMA twistlock photocontrol receptacle - 3 pin	20KV Extreme surge protection 20kV/10kA, fail off with indicator light	L03 3 ft prewired leads	SHC Shorewood 1/2 cover
PR7 NEMA twistlock dimming photocontrol receptacle - 7 pin		L10 10 ft prewired leads	
PR7E NEMA twistlock dimming photocontrol receptacle - 7 Pin (Under Glass)		L20 20 ft prewired leads	<b>NEMA LABEL OPTIONS</b>
PCLL Long Life DTL Twistlock Photocontrol for Solid State, MVOLT		L25 25 ft prewired leads	NL1X1 1"X1" ANSI Wattage Label
P34 Long Life DTL Twistlock Photocontrol for Solid State, 347V		L30 30 ft prewired leads	NL 2x2 2"X2" ANSI Wattage Label
P48 Long Life DTL Twistlock Photocontrol for Solid State, 480V			
SH Shorting Cap			
RSBOR6 nLight Motion Sensing Photocontrols			
NLTAIR2 nLight RIO 2.0 Antenna			

Accessories: Order as separate catalog number.	
HOUSE-SIDE SHIELD OPTIONS	
WLEDHS90	House Side Shield solid 90 Degree
WLEDHS12	House Side Shield solid 120 Degree
WLEDHS18	House Side Shield solid 180 Degree
WLEDHSS90	House Side Shield solid 90 Degree (lunar)
WLEDHSS12	House Side Shield solid 120 Degree (lunar)
WLEDHSS18	House Side Shield solid 180 Degree (lunar)



**LUMEN AMBIENT TEMPERATURE (LAT) MULTIPLIERS**

Use the factors to determine relative lumen output for average ambient temperatures from 0-40°C (32-104°F)

Ambient Temp		Lumen Multiplier	
°C	°F	P10, P20	P30, P40, P50, P60, P70
0	32	1.03	1.04
5	41	1.02	1.04
10	50	1.02	1.03
15	59	1.01	1.02
20	68	1.01	1.01
25	77	1.00	1.00
30	86	0.99	0.99
35	94	0.99	0.98
40	104	0.98	0.97

**PROJECTED LED LUMEN MAINTENANCE**

Data references the extrapolated performance projections for the platforms noted in 25°C ambient, based on 6,000 hours of LED testing (tested per IESNA LM-80-08 and projected per IESNA TM-21-11). To calculate LLF, use the lumen maintenance factor that corresponds to the desired number of operating hours below. For other lumen maintenance values, contact factory.

Lumen Maintenance - LLD (Same for all LED packages)							
Hours	0	25,000	36,000	50,000	60,000	75,000	100,000
Factor	1	0.96	0.94	0.91	0.90	0.87	0.83

The *italicized* data is extrapolated beyond the TM-21 standard.

**PERFORMANCE DATA with the following TRIM/FINIAL options: BD, SK & OR**

Performance Package	Distribution	Input Watts	27K (2700K CCT, 70 CRI)					30K (3000K CCT, 70 CRI)					40K (4000K CCT, 70 CRI)					50K (5000K CCT, 70 CRI)				
			Lumens	LPW	B	U	G	Lumens	LPW	B	U	G	Lumens	LPW	B	U	G	Lumens	LPW	B	U	G
P10	GL3	22	2,786	127	1	4	3	3,162	144	1	4	3	3,221	146	1	4	3	3,279	149	1	4	3
	GL5		3,021	137	2	3	2	3,429	156	2	4	2	3,493	159	2	4	2	3,556	162	2	4	3
	GL3LU		2,433	111	1	3	2	2,761	126	1	3	2	2,812	128	1	3	2	2,864	130	1	3	2
	GL5LU		2,480	113	2	3	1	2,814	128	2	3	2	2,867	130	2	3	2	2,919	133	2	3	2
P20	GL3	36	4,626	129	1	4	3	5,250	146	1	5	3	5,348	149	2	5	3	5,445	151	2	5	3
	GL5		5,017	139	3	4	3	5,694	158	3	4	3	5,800	161	3	4	3	5,905	164	3	4	3
	GL3LU		4,039	112	1	3	2	4,585	127	2	3	3	4,670	130	2	3	3	4,755	132	2	3	3
	GL5LU		4,117	114	3	3	2	4,673	130	3	3	2	4,760	132	3	3	2	4,847	135	3	3	2
P30	GL3	56	7,003	125	2	5	4	7,949	142	2	5	4	8,097	145	2	5	4	8,244	147	2	5	4
	GL5		7,595	136	3	5	3	8,621	154	3	5	4	8,781	157	3	5	4	8,941	160	3	5	4
	GL3LU		6,116	109	2	4	3	6,942	124	2	4	3	7,071	126	2	4	3	7,199	129	2	4	3
	GL5LU		6,234	111	3	4	3	7,076	126	3	4	3	7,207	129	3	4	3	7,338	131	3	4	3
P40	GL3	77	9,654	125	2	5	5	10,958	142	3	5	5	11,161	145	3	5	5	11,364	148	3	5	5
	GL5		10,470	136	4	5	4	11,884	154	4	5	5	12,104	157	4	5	5	12,324	160	4	5	5
	GL3LU		8,431	109	2	4	3	9,569	124	3	4	4	9,747	127	3	4	4	9,924	129	3	4	4
	GL5LU		8,593	112	3	4	3	9,754	127	4	4	3	9,934	129	4	4	3	10,115	131	4	4	3
P50	GL3	95	11,540	121	3	5	5	13,099	138	3	5	5	13,342	140	3	5	5	13,585	143	3	5	5
	GL5		12,516	132	4	5	5	14,206	150	4	5	5	14,470	152	4	5	5	14,733	155	4	5	5
	GL3LU		10,078	106	3	4	4	11,439	120	3	4	4	11,651	123	3	5	4	11,863	125	3	5	4
	GL5LU		10,272	108	4	4	3	11,660	123	4	4	3	11,876	125	4	5	3	12,092	127	4	5	3
P60	GL3	118	14,019	119	3	5	5	15,913	135	3	5	5	16,207	137	3	5	5	16,502	140	3	5	5
	GL5		15,204	129	4	5	5	17,258	146	4	5	5	17,577	149	4	5	5	17,897	152	4	5	5
	GL3LU		12,243	104	3	5	4	13,896	118	3	5	4	14,154	120	3	5	5	14,411	122	3	5	5
	GL5LU		12,478	106	4	5	3	14,164	120	4	5	4	14,426	122	4	5	4	14,689	124	4	5	4
P70	GL3	146	16,518	113	3	5	5	18,749	128	3	5	5	19,097	131	3	5	5	19,444	133	3	5	5
	GL5		17,914	123	4	5	5	20,334	139	4	5	5	20,711	142	5	5	5	21,088	144	5	5	5
	GL3LU		14,425	99	3	5	5	16,374	112	3	5	5	16,677	114	3	5	5	16,981	116	3	5	5
	GL5LU		14,703	101	4	5	4	16,689	114	4	5	4	16,998	116	4	5	4	17,308	119	4	5	4



**FPDXX DATA OPTIONS**

FPDxx Setting		P10 27K				P10 30K				P10 40K				P10 50K			
Setting	Wattage	GL3	GL5	GL3LU	GL5LU	GL3	GL5	GL3LU	GL5LU	GL3	GL5	GL3LU	GL5LU	GL3	GL5	GL3LU	GL5LU
Standard	22	2,786	3,021	2,433	2,480	3,162	3,429	2,761	2,814	3,221	3,493	2,812	2,867	3,279	3,556	2,864	2,919
FPD95	21	2,655	2,879	2,319	2,363	3,013	3,268	2,631	2,682	3,069	3,329	2,680	2,732	3,125	3,389	2,729	2,782
FPD90	20	2,523	2,736	2,204	2,246	2,864	3,106	2,501	2,549	2,918	3,164	2,547	2,597	2,970	3,221	2,594	2,644

FPDxx Setting		P20 27K				P20 30K				P20 40K				P20 50K			
Setting	Wattage	GL3	GL5	GL3LU	GL5LU	GL3	GL5	GL3LU	GL5LU	GL3	GL5	GL3LU	GL5LU	GL3	GL5	GL3LU	GL5LU
Standard	36	4,626	5,017	4,039	4,117	5,250	5,694	4,585	4,673	5,348	5,800	4,670	4,760	5,445	5,905	4,755	4,847
FPD95	33	4,409	4,782	3,850	3,924	5,004	5,427	4,370	4,454	5,098	5,528	4,451	4,537	5,190	5,628	4,532	4,620
FPD90	32	4,192	4,546	3,660	3,730	4,757	5,159	4,154	4,234	4,846	5,255	4,231	4,313	4,934	5,350	4,308	4,392
FPD85	29	3,973	4,308	3,469	3,536	4,509	4,890	3,937	4,013	4,593	4,981	4,010	4,088	4,676	5,071	4,083	4,162
FPD80	28	3,753	4,070	3,276	3,340	4,259	4,619	3,719	3,791	4,338	4,705	3,788	3,861	4,417	4,790	3,857	3,932
FPD75	26	3,532	3,830	3,083	3,143	4,008	4,347	3,500	3,567	4,083	4,428	3,565	3,634	4,157	4,508	3,630	3,700
FPD70	24	3,309	3,589	2,889	2,945	3,756	4,073	3,280	3,343	3,826	4,149	3,341	3,405	3,895	4,224	3,402	3,467

FPDxx Setting		P30 27K				P30 30K				P30 40K				P30 50K			
Setting	Wattage	GL3	GL5	GL3LU	GL5LU	GL3	GL5	GL3LU	GL5LU	GL3	GL5	GL3LU	GL5LU	GL3	GL5	GL3LU	GL5LU
Standard	61	7,003	7,595	6,116	6,234	7,949	8,621	6,942	7,076	8,097	8,781	7,071	7,207	8,244	8,941	7,199	7,338
FPD95	58	6,951	7,539	6,071	6,188	7,890	8,557	6,890	7,023	8,037	8,716	7,018	7,153	8,183	8,875	7,145	7,283
FPD90	55	6,616	7,175	5,778	5,889	7,509	8,144	6,558	6,684	7,649	8,295	6,680	6,808	7,788	8,446	6,801	6,932
FPD85	52	6,277	6,808	5,482	5,588	7,125	7,727	6,222	6,342	7,258	7,871	6,338	6,460	7,389	8,014	6,453	6,577
FPD80	49	5,935	6,437	5,184	5,284	6,737	7,307	5,884	5,997	6,863	7,442	5,993	6,108	6,987	7,578	6,102	6,219
FPD75	46	5,591	6,064	4,883	4,977	6,346	6,883	5,542	5,649	6,464	7,010	5,645	5,754	6,582	7,138	5,747	5,858
FPD70	43	5,243	5,687	4,579	4,668	5,952	6,455	5,198	5,298	6,063	6,575	5,294	5,396	6,173	6,694	5,390	5,494

FPDxx Setting		P40 27K				P40 30K				P40 40K				P40 50K			
Setting	Wattage	GL3	GL5	GL3LU	GL5LU	GL3	GL5	GL3LU	GL5LU	GL3	GL5	GL3LU	GL5LU	GL3	GL5	GL3LU	GL5LU
Standard	77	9,654	10,470	8,431	8,593	10,958	11,884	9,569	9,754	11,161	12,104	9,747	9,934	11,364	12,324	9,924	10,115
FPD95	74	9,508	10,312	8,304	8,463	10,793	11,705	9,425	9,607	10,993	11,921	9,600	9,784	11,193	12,138	9,774	9,962
FPD90	71	9,074	9,841	7,924	8,077	10,299	11,170	8,994	9,168	10,490	11,376	9,161	9,337	10,681	11,583	9,328	9,507
FPD85	67	8,631	9,361	7,538	7,683	9,797	10,625	8,555	8,721	9,979	10,822	8,715	8,882	10,160	11,019	8,873	9,044
FPD80	63	8,182	8,873	7,145	7,282	9,287	10,071	8,110	8,266	9,459	10,258	8,260	8,419	9,631	10,444	8,410	8,572

FPDxx Setting		P50 27K				P50 30K				P50 40K				P50 50K			
Setting	Wattage	GL3	GL5	GL3LU	GL5LU	GL3	GL5	GL3LU	GL5LU	GL3	GL5	GL3LU	GL5LU	GL3	GL5	GL3LU	GL5LU
Standard	95	11,540	12,516	10,078	10,272	13,099	14,206	11,439	11,660	13,342	14,470	11,651	11,876	13,585	14,733	11,863	12,092
FPD95	91	11,517	12,491	10,058	10,251	13,073	14,177	11,416	11,636	13,315	14,441	11,627	11,852	13,558	14,703	11,839	12,068
FPD90	86	11,002	11,933	9,608	9,793	12,489	13,544	10,906	11,117	12,720	13,796	11,108	11,323	12,952	14,046	11,310	11,528
FPD85	81	10,477	11,363	9,149	9,326	11,892	12,897	10,385	10,586	12,113	13,137	10,578	10,782	12,333	13,376	10,770	10,978

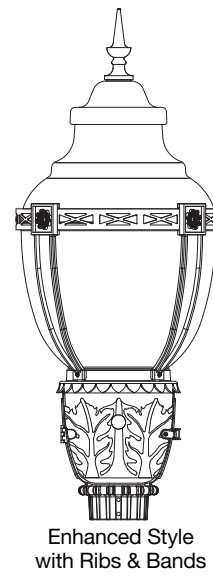
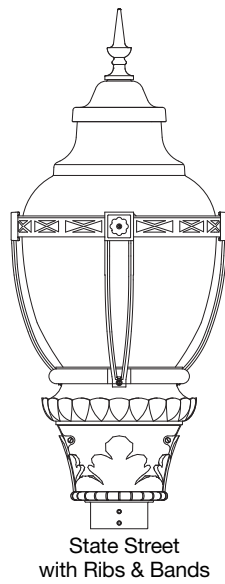
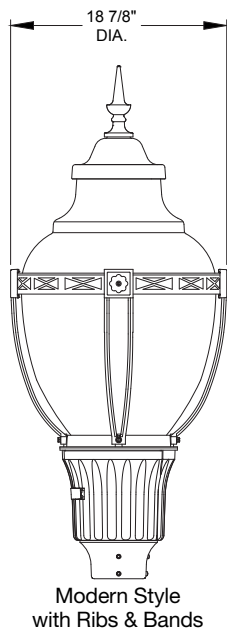
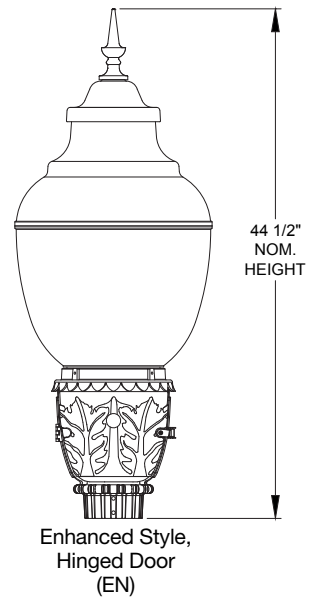
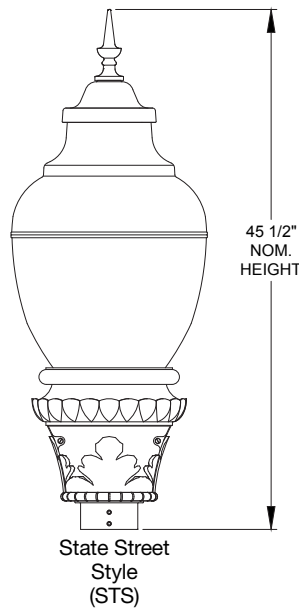
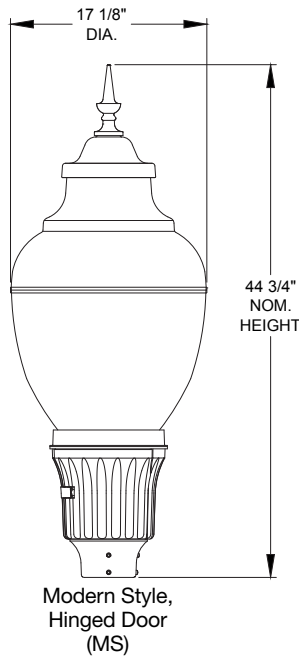
  

FPDxx Setting		P60 27K				P60 30K				P60 40K				P60 50K			
Setting	Wattage	GL3	GL5	GL3LU	GL5LU	GL3	GL5	GL3LU	GL5LU	GL3	GL5	GL3LU	GL5LU	GL3	GL5	GL3LU	GL5LU
Standard	118	14,019	15,204	12,243	12,478	15,913	17,258	13,896	14,164	16,207	17,577	14,154	14,426	16,502	17,897	14,411	14,689
FPD95	112	13,451	14,588	11,747	11,972	15,268	16,558	13,333	13,590	15,550	16,864	13,580	13,841	15,833	17,171	13,827	14,093
FPD90	106	12,867	13,955	11,237	11,453	14,606	15,840	12,754	13,000	14,876	16,133	12,991	13,241	15,146	16,427	13,227	13,482
FPD85	100	12,269	13,306	10,715	10,920	13,926	15,104	12,161	12,396	14,184	15,383	12,387	12,625	14,442	15,663	12,612	12,855

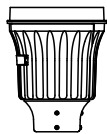
FPDxx Setting		P70 27K				P70 30K				P70 40K				P70 50K			
Setting	Wattage	GL3	GL5	GL3LU	GL5LU	GL3	GL5	GL3LU	GL5LU	GL3	GL5	GL3LU	GL5LU	GL3	GL5	GL3LU	GL5LU
Standard	146	16,518	17,914	14,425	14,703	18,749	20,334	16,374	16,689	19,097	20,711	16,677	16,998	19,444	21,088	16,981	17,308
FPD95	138	15,906	17,250	13,891	14,158	18,055	19,581	15,767	16,071	18,390	19,944	16,059	16,368	18,724	20,307	16,352	16,667
FPD90	131	15,269	16,560	13,335	13,592	17,332	18,797	15,136	15,428	17,654	19,146	15,416	15,713	17,974	19,494	15,697	16,000
FPD85	124	14,607	15,842	12,757	13,002	16,580	17,982	14,480	14,759	16,888	18,316	14,748	15,032	17,195	18,649	15,017	15,306
FPD80	118	13,921	15,097	12,157	12,391	15,801	17,137	13,799	14,065	16,094	17,455	14,055	14,325	16,387	17,772	14,311	14,587

DIMENSIONS

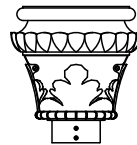


## Mark Appropriate Box for Trim Option

### Housing



Modern (MS)  
Hinged Door

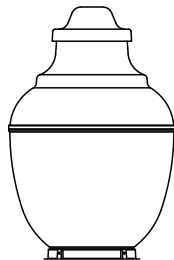


State Street (STS)

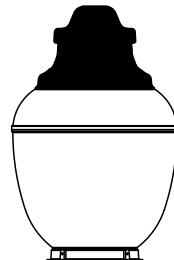


Enhanced (EN)  
Hinged Door

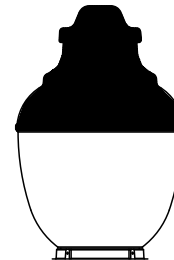
### Cover



No Cover  
Blank  
(Finial Required)

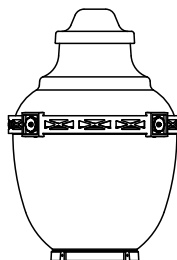


Shorewood Cover  
SHC  
(Finial Required)

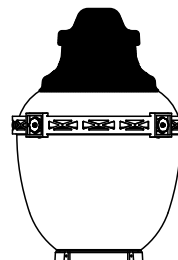


Full Cover  
FC  
(Finial Required)

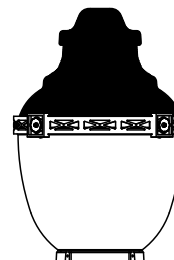
### Medallions & Bands



Medallions and Band  
BMx  
(replace X with first letter  
of Finial Option)

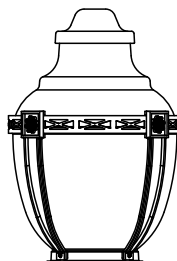


Medallions, Band,  
and Shorewood Cover  
BMx with SHC  
(replace X with first letter  
of Finial Option)

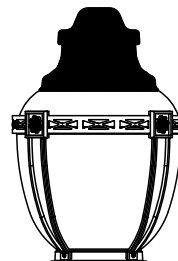


Medallions, Band,  
and Full Cover  
BMx with FC  
(replace X with first letter  
of Finial Option)

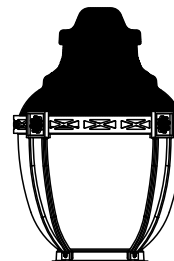
### Ribs & Bands



Ribs and Band  
xBR  
(replace X with first letter  
of Finial Option)



Ribs, Band,  
and Shorewood Cover  
xBR with SHC  
(replace X with first letter  
of Finial Option)



Ribs, Band,  
and Full Cover  
xBR with FC  
(replace X with first letter  
of Finial Option)

### Finial



Bud  
BD



Ornate  
OR



Spike  
SK

## OPTIONAL COMPONENTS



**AO**  
Manual field adjustable output dimming device



**RSBOR6**  
Motion and photosensor (Black) communicates wirelessly to other nLight AIR devices



**20KV**  
Safeguard your investment from extreme voltage spikes with our new Extreme 20kV/10kA SPD



**NLTAIR2**  
Fixture embedded nLight AIR network interface provides individual fixture control and digital dimming capabilities



# WEDGE1 LED

## Architectural Wall Sconce



Catalog Number

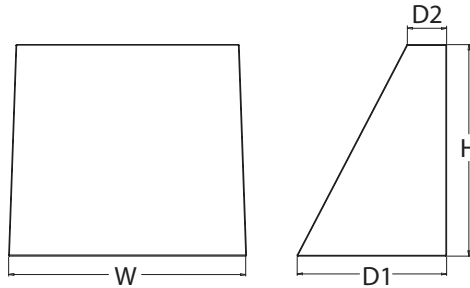
Notes

Type

Hit the Tab key or mouse over the page to see all interactive elements.

### Specifications

- Depth (D1):** 5.5"
- Depth (D2):** 1.5"
- Height:** 8"
- Width:** 9"
- Weight:** 9 lbs  
(without options)



### Introduction

The WEDGE LED family is designed to meet specifier's every wall-mounted lighting need in a widely accepted shape that blends with any architecture. The clean rectilinear design comes in four sizes with lumen packages ranging from 1,200 to 25,000 lumens, providing true site-wide solution.

WEDGE1 delivers up to 2,000 lumens with a soft, non-pixelated light source, creating a visually comfortable environment. The compact size of WEDGE1, with its integrated emergency battery backup option, makes it an ideal over-the-door wall-mounted lighting solution.

### WEDGE LED Family Overview

Luminaire	Standard EM, 0°C	Cold EM, -20°C	Sensor	Lumens (4000K)					
				P1	P2	P3	P4	P5	P6
WEDGE1 LED	4W	--	--	1,200	2,000	--	--	--	--
WEDGE2 LED	10W	18W	Standalone / nLight	1,200	2,000	3,000	4,500	6,000	--
WEDGE3 LED	15W	18W	Standalone / nLight	7,500	8,500	10,000	12,000	--	--
WEDGE4 LED	--	--	Standalone / nLight	12,000	16,000	18,000	20,000	22,000	25,000

### Ordering Information

**EXAMPLE:** WEDGE1 LED P2 40K 80CRI VF MVOLT SRM PE DDBXD

Series	Package	Color Temperature	CRI	Distribution	Voltage	Mounting
WEDGE1 LED	P1 P2	27K 2700K	80CRI	VF Visual comfort forward throw	MVOLT 347 <sup>2</sup>	<b>Shipped included</b> SRM Surface mounting bracket ICW Indirect Canopy/Ceiling Washer bracket (dry/damp locations only) <sup>5</sup>  <b>Shipped separately</b> AWS 3/8inch Architectural wall spacer PBBW Surface-mounted back box (top, left, right conduit entry) Use when there is no junction box available.
		30K 3000K	90CRI	VW Visual comfort wide		
		35K 3500K				
		40K 4000K				
		50K <sup>1</sup> 5000K				

Options	Finish
E4WH <sup>3</sup> Emergency battery backup, Certified in CA Title 20 MAEDBS (4W, 0°C min)	DDBXD Dark bronze
PE <sup>4</sup> Photocell, Button Type	DBLXD Black
DS Dual switching (comes with 2 drivers and 2 light engines; see page 3 for details)	DNAXD Natural aluminum
DMG 0-10V dimming wires pulled outside fixture (for use with an external control, ordered separately)	DWHXD White
BCE Bottom conduit entry for back box (PBBW). Total of 4 entry points.	DSSXD Sandstone
BAA Buy America(n) Act Compliant	DDBTXD Textured dark bronze
	DBLTXD Textured black
	DNATXD Textured natural aluminum
	DWHGXD Textured white
	DSSTXD Textured sandstone

### Accessories

Ordered and shipped separately.

- WDGEAWS DDBXD WEDGE 3/8inch Architectural Wall Spacer (specify finish)
- WDGE1PBBW DDBXD U WEDGE1 surface-mounted back box (specify finish)

### NOTES

- 1 50K not available in 90CRI.
- 2 347V not available with E4WH, DS or PE.
- 3 E4WH not available with PE or DS.
- 4 PE not available with DS.
- 5 Not qualified for DLC. Not available with E4WH.



COMMERCIAL OUTDOOR

One Lithonia Way • Conyers, Georgia 30012 • Phone: 1-800-705-SERV (7378) • [www.lithonia.com](http://www.lithonia.com)  
© 2019-2022 Acuity Brands Lighting, Inc. All rights reserved.

WEDGE1 LED  
Rev. 03/01/22

## Performance Data

### Lumen Output

Lumen values are from photometric tests performed in accordance with IESNA LM-79-08. Data is considered to be representative of the configurations shown, within the tolerances allowed by Lighting Facts. Contact factory for performance data on any configurations not shown here.

Performance Package	System Watts	Dist. Type	27K (2700K, 80 CRI)					30K (3000K, 80 CRI)					35K (3500K, 80 CRI)					40K (4000K, 80 CRI)					50K (5000K, 80 CRI)				
			Lumens	LPW	B	U	G	Lumens	LPW	B	U	G	Lumens	LPW	B	U	G	Lumens	LPW	B	U	G	Lumens	LPW	B	U	G
P1	10W	VF	1,120	112	0	0	0	1,161	116	0	0	0	1,194	119	0	0	0	1,227	123	0	0	0	1,235	123	0	0	0
		VW	1,122	112	0	0	0	1,163	116	0	0	0	1,196	120	0	0	0	1,229	123	0	0	0	1,237	124	0	0	0
P2	15W	VF	1,806	120	1	0	0	1,872	125	1	0	0	1,925	128	1	0	0	1,978	132	1	0	0	1,992	133	1	0	0
		VW	1,809	120	1	0	0	1,876	125	1	0	0	1,929	128	1	0	0	1,982	132	1	0	0	1,996	133	1	0	0

### Electrical Load

Performance Package	System Watts	Current (A)				
		120V	208V	240V	277V	347V
P1	10W	0.082	0.049	0.043	0.038	--
	13W	--	--	--	--	0.046
P2	15W	0.132	0.081	0.072	0.064	--
	18W	--	--	--	--	0.056

### Lumen Multiplier for 90CRI

CCT	Multiplier
27K	0.845
30K	0.867
35K	0.845
40K	0.885
50K	0.898

### Lumen Output in Emergency Mode (4000K, 80 CRI)

Option	Dist. Type	Lumens
E4WH	VF	646
	VW	647

### Lumen Ambient Temperature (LAT) Multipliers

Use these factors to determine relative lumen output for average ambient temperatures from 0-40°C (32-104°F).

Ambient	Lumen Multiplier
0°C / 32°F	1.03
10°C / 50°F	1.02
20°C / 68°F	1.01
25°C / 77°F	1.00
30°C / 86°F	0.99
40°C / 104°F	0.98

### Projected LED Lumen Maintenance

Data references the extrapolated performance projections for the platforms noted in a 25°C ambient, based on 10,000 hours of LED testing (tested per IESNA LM-80-08 and projected per IESNA TM-21-11).

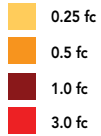
To calculate LLF, use the lumen maintenance factor that corresponds to the desired number of operating hours below. For other lumen maintenance values, contact factory.

Operating Hours	0	25,000	50,000	100,000
Lumen Maintenance Factor	1.0	>0.96	>0.95	>0.91

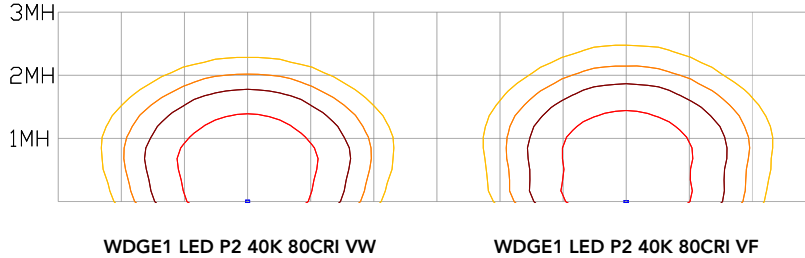
## Photometric Diagrams

To see complete photometric reports or download .ies files for this product, visit the Lithonia Lighting WDGE LED homepage. Tested in accordance with IESNA LM-79 and LM-80 standards.

### LEGEND



MH = 8ft  
Grid = 8ft x 8ft



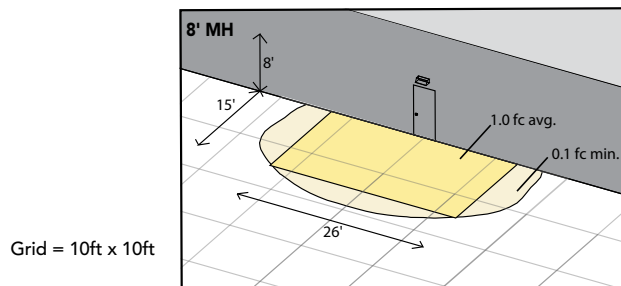
## Emergency Egress Options

### Emergency Battery Backup

The emergency battery backup is integral to the luminaire — no external housing required! This design provides reliable emergency operation while maintaining the aesthetics of the product. All emergency battery backup configurations include an independent secondary driver with an integral relay to immediately detect loss of normal power and automatically energize the luminaire. The emergency battery will power the luminaire for a minimum duration of 90 minutes (maximum duration of three hours) from the time normal power is lost and maintain a minimum of 60% of the light output at the end of 90 minutes.

Applicable codes: NFPA 70/NEC – section 700.16, NFPA 101 Life Safety Code Section 7.9

The example below shows illuminance of 1 fc average and 0.1 fc minimum in emergency mode with E4WH and VF distribution.

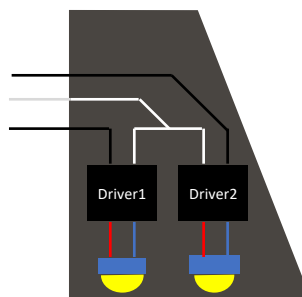


WDGE1 LED xx 40K 80CRI VF MVOLT E4WH

### Dual Switching (DS) Option

The dual switching option offers operational redundancy that certain codes require. With this option the luminaire comes integrated with two drivers and two light engines. These work completely independent to each other so that a failure of any individual component does not cause the whole luminaire to go dark. This option is typically used with a back generator or inverter providing emergency power.

Applicable codes: NFPA 70/NEC – section 700.16, NFPA 101 Life Safety Code Section 7.9





### E4WH – 4W Emergency Battery Backup

D = 5.5"

H = 8"

W = 9"



### PBBW – Surface-Mounted Back Box

Use when there is no junction box available.

D = 1.75"

H = 8"

W = 9"



### AWS – 3/8inch Architectural Wall Spacer

D = 0.38"

H = 4.4"

W = 7.5"

## FEATURES & SPECIFICATIONS

### INTENDED USE

Common architectural look, with clean rectilinear shape, of the WDGE LED was designed to blend with any type of construction, whether it be tilt-up, frame or brick. Applications include commercial offices, warehouses, hospitals, schools, malls, restaurants, and other commercial buildings.

### CONSTRUCTION

The single-piece die-cast aluminum housing integrates secondary heat sinks to optimize thermal transfer from the internal light engine heat sinks and promote long life. The driver is mounted in direct contact with the casting for a low operating temperature and long life. The die-cast door frame is fully gasketed with a one-piece solid silicone gasket to keep out moisture and dust, providing an IP66 rating for the luminaire.

### FINISH

Exterior painted parts are protected by a zinc-infused Super Durable TGIC thermoset powder coat finish that provides superior resistance to corrosion and weathering. A tightly controlled multi-stage process ensures a 3 mils thickness for a finish that can withstand extreme climate changes without cracking or peeling. Standard Super Durable colors include dark bronze, black, natural aluminum, sandstone and white. Available in textured and non-textured finishes.

### OPTICS

Well crafted reflector optics allow the light engine to be recessed within the luminaire, providing visual comfort, superior distribution, uniformity, and spacing in wall-mount applications. The WDGE LED has zero uplight and qualifies as a Nighttime Friendly™ product, meaning it is consistent with the LEED® and Green Globes™ criteria for eliminating wasteful uplight.

### ELECTRICAL

Light engine consists of high-efficacy LEDs mounted to metal-core circuit boards to maximize heat dissipation and promote long life (up to L91/100,000 hours at 25°C). The electronic driver has a power factor of >90%, THD <20%. Luminaire comes with built in 6kV surge protection, which meets a minimum Category C low exposure (per ANSI/IEEE C62.41.2). Fixture ships standard with 0-10v dimmable driver.

### INSTALLATION

A universal mounting plate with integral mounting support arms allows the fixture to hinge down for easy access while making wiring connections. The 3/8" Architectural Wall Spacer (AWS) can be used to create a floating appearance or to accommodate small imperfections in the wall surface. The ICW option can be used to mount the luminaire inverted for indirect lighting in dry and damp locations. Design can withstand up to a 1.5 G vibration load rating per ANSI C136.31.

### LISTINGS

CSA certified to U.S. and Canadian standards. Luminaire is IP66 rated. PIR options are rated for wet location. Rated for -40°C minimum ambient. DesignLights Consortium® (DLC) Premium qualified product and DLC qualified product. Not all versions of this product may be DLC Premium qualified or DLC qualified. Please check the DLC Qualified Products List at [www.designlights.org/QPL](http://www.designlights.org/QPL) to confirm which versions are qualified. International Dark-Sky Association (IDA) Fixture Seal of Approval (FSA) is available for all products on this page utilizing 2700K and 3000K color temperature only and SRM mounting only.

### BUY AMERICAN

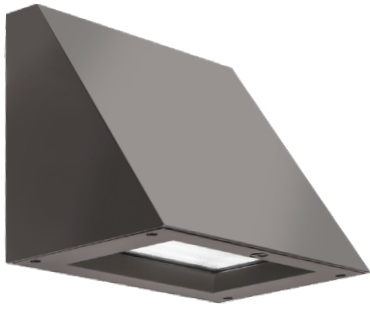
Product with the BAA option is assembled in the USA and meets the Buy America(n) government procurement requirements under FAR, DFARS and DOT. Please refer to [www.acuitybrands.com/buy-american](http://www.acuitybrands.com/buy-american) for additional information.

### WARRANTY

5-year limited warranty. This is the only warranty provided and no other statements in this specification sheet create any warranty of any kind. All other express and implied warranties are disclaimed. Complete warranty terms located at: [www.acuitybrands.com/support/warranty/terms-and-conditions](http://www.acuitybrands.com/support/warranty/terms-and-conditions)

**Note:** Actual performance may differ as a result of end-user environment and application. All values are design or typical values, measured under laboratory conditions at 25 °C. Specifications subject to change without notice.





# WEDGE2 LED

## Architectural Wall Sconce

### Visual Comfort Optic



Buy American



Catalog Number

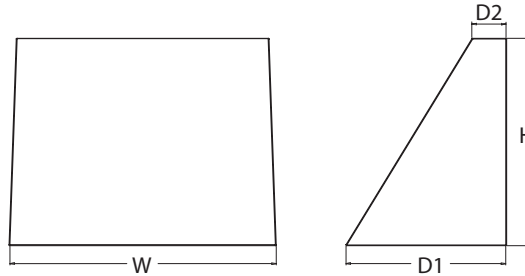
Notes

Type

Hit the Tab key or mouse over the page to see all interactive elements.

### Specifications

<b>Depth (D1):</b>	7"
<b>Depth (D2):</b>	1.5"
<b>Height:</b>	9"
<b>Width:</b>	11.5"
<b>Weight:</b> (without options)	13.5 lbs



### Introduction

The WEDGE2 LED family is designed to meet specifier's every wall-mounted lighting need in a widely accepted shape that blends with any architecture. The clean rectilinear design comes in four sizes with lumen packages ranging from 1,200 to 25,000 lumens, providing a true site-wide solution. Embedded with nLight® AIR wireless controls, the WEDGE family provides additional energy savings and code compliance.

WEDGE2 delivers up to 6,000 lumens with a soft, non-pixelated light source, creating a visually comfortable environment. When combined with multiple integrated emergency battery backup options, including an 18W cold temperature option, the WEDGE2 becomes the ideal wall-mounted lighting solution for pedestrian scale applications in any environment.

### WEDGE LED Family Overview

Luminaire	Optics	Standard EM, 0°C	Cold EM, -20°C	Sensor	Approximate Lumens (4000K, 80CRI)						
					P0	P1	P2	P3	P4	P5	P6
WEDGE1 LED	Visual Comfort	4W		--	750	1,200	2,000	--	--	--	--
WEDGE2 LED	Visual Comfort	10W	18W	Standalone / nLight	--	1,200	2,000	3,000	4,500	6,000	--
WEDGE2 LED	Precision Refractive	10W	18W	Standalone / nLight	700	1,200	2,000	3,200	4,200	--	--
WEDGE3 LED	Precision Refractive	15W	18W	Standalone / nLight	--	7,500	8,500	10,000	12,000	--	--
WEDGE4 LED	Precision Refractive			Standalone / nLight	--	12,000	16,000	18,000	20,000	22,000	25,000

### Ordering Information

**EXAMPLE:** WEDGE2 LED P3 40K 80CRI VF MVOLT SRM DDBXD

Series	Package	Color Temperature	CRI	Distribution	Voltage	Mounting	
WEDGE2 LED	P1 <sup>1</sup>	P1SW	27K 2700K	VF Visual comfort forward throw	MVOLT	<b>Shipped included</b> SRM Surface mounting bracket ICW Indirect Canopy/Ceiling Washer bracket (dry/damp locations only) <sup>7</sup>	
	P2 <sup>1</sup>	P2SW	30K 3000K				
	P3 <sup>1</sup>	P3SW	35K 3500K	VW Visual comfort wide	347 <sup>3</sup> 480 <sup>3</sup>		
	P4 <sup>1</sup>	Door with small window (SW) is required to accommodate sensors. See page 2 for more details.					<b>Shipped separately</b> AWS 3/8inch Architectural wall spacer PBBW Surface-mounted back box (top, left, right conduit entry). Use when there is no junction box available.
	P5 <sup>1</sup>	40K 4000K	50K <sup>2</sup> 5000K				

Options	Finish
<b>E4WH</b> Emergency battery backup, Certified in CA Title 20 MAEDBS (4W, 0°C min) <b>E10WH</b> Emergency battery backup, Certified in CA Title 20 MAEDBS (10W, 5°C min) <b>E20WC</b> Emergency battery backup, Certified in CA Title 20 MAEDBS (18W, -20°C min) <b>PE<sup>4</sup></b> Photocell, Button Type <b>DS<sup>5</sup></b> Dual switching (comes with 2 drivers and 2 light engines; see page 3 for details) <b>DMG<sup>6</sup></b> 0-10V dimming wires pulled outside fixture (for use with an external control, ordered separately) <b>BCE</b> Bottom conduit entry for back box (PBBW). Total of 4 entry points. <b>BAA</b> Buy America(n) Act Compliant	<b>DDBXD</b> Dark bronze <b>DBLXD</b> Black <b>DNAXD</b> Natural aluminum <b>DWHXD</b> White <b>DSSXD</b> Sandstone <b>DDBTXD</b> Textured dark bronze <b>DBLBXD</b> Textured black <b>DNATXD</b> Textured natural aluminum <b>DWHGXD</b> Textured white <b>DSSTXD</b> Textured sandstone
<b>Standalone Sensors/Controls</b> (only available with P1SW, P2SW & P3SW) <b>PIR</b> Bi-level (100/35%) motion sensor for 8-15' mounting heights. Intended for use on switched circuits with external dusk to dawn switching. <b>PIRH</b> Bi-level (100/35%) motion sensor for 15-30' mounting heights. Intended for use on switched circuits with external dusk to dawn switching <b>PIR1FC3V</b> Bi-level (100/35%) motion sensor for 8-15' mounting heights with photocell pre-programmed for dusk to dawn operation. <b>PIRH1FC3V</b> Bi-level (100/35%) motion sensor for 15-30' mounting heights with photocell pre-programmed for dusk to dawn operation. <b>Networked Sensors/Controls</b> (only available with P1SW, P2SW & P3SW) <b>NLTAIR2 PIR</b> nLightAIR Wireless enabled bi-level motion/ambient sensor for 8-15' mounting heights. <b>NLTAIR2 PIRH</b> nLightAIR Wireless enabled bi-level motion/ambient sensor for 15-30' mounting heights. See page 4 for out of box functionality	



COMMERCIAL OUTDOOR

One Lithonia Way • Conyers, Georgia 30012 • Phone: 1-800-705-SERV (7378) • [www.lithonia.com](http://www.lithonia.com)  
 © 2019-2022 Acuity Brands Lighting, Inc. All rights reserved.

WEDGE2 LED  
 Rev. 03/01/22

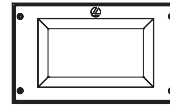
## Accessories

Ordered and shipped separately.

WDGEAWS DDBXD	WDGE 3/8inch Architectural Wall Spacer (specify finish)
WDGE2P8BW DDBXD U	WDGE2 surface-mounted back box (specify finish)

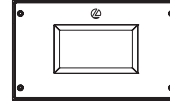
### NOTES

- P1-P5 not available with sensors/controls. Sensors/controls only available with P1SW, P2SW and P3SW.
- 50K not available in 90CRI
- 347V and 480V not available with E4WH, E10WH, E20WC or DS.
- PE not available in 480V or with sensors/controls
- DS option not available with E4WH, E10WH, E20WC or sensors/controls.
- DMG option not available with sensors/controls
- Not qualified for DLC. Not available with emergency battery backup or sensors/controls



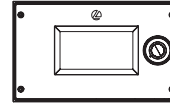
Default configuration with no sensors/controls.

Power Packages: P1, P2, P3, P4, P5



Small Window (SW) configuration

Power Packages: P1SW, P2SW, P3SW



Configuration with sensors/controls

Power Packages: P1SW, P2SW, P3SW

## Performance Data

### Lumen Output

Lumen values are from photometric tests performed in accordance with IESNA LM-79-08. Data is considered to be representative of the configurations shown, within the tolerances allowed by Lighting Facts. Contact factory for performance data on any configurations not shown here.

Performance Package	System Watts	Dist. Type	27K (2700K, 80 CRI)					30K (3000K, 80 CRI)					35K (3500K, 80 CRI)					40K (4000K, 80 CRI)					50K (5000K, 80 CRI)				
			Lumens	LPW	B	U	G	Lumens	LPW	B	U	G	Lumens	LPW	B	U	G	Lumens	LPW	B	U	G	Lumens	LPW	B	U	G
P1 / P1SW	10W	VF	1,166	119	0	0	0	1,209	123	0	0	0	1,251	128	0	0	0	1,256	128	0	0	0	1,254	128	0	0	0
		VW	1,197	122	0	0	0	1,241	126	0	0	0	1,284	131	0	0	0	1,289	131	0	0	0	1,286	131	0	0	0
P2 / P2SW	15W	VF	1,878	129	1	0	0	1,947	134	1	0	0	2,015	139	1	0	0	2,023	139	1	0	0	2,019	139	1	0	0
		VW	1,927	133	1	0	0	1,997	137	1	0	0	2,067	142	1	0	0	2,075	143	1	0	0	2,071	143	1	0	0
P3 / P3SW	23W	VF	2,908	129	1	0	0	3,015	134	1	0	0	3,119	138	1	0	0	3,132	139	1	0	0	3,126	139	1	0	0
		VW	2,983	132	1	0	0	3,093	137	1	0	0	3,200	142	1	0	0	3,213	143	1	0	0	3,206	142	1	0	0
P4	35W	VF	4,096	117	1	0	1	4,247	121	1	0	1	4,394	126	1	0	1	4,412	126	1	0	1	4,403	126	1	0	1
		VW	4,202	120	1	0	0	4,357	125	1	0	1	4,508	129	1	0	1	4,526	129	1	0	1	4,517	129	1	0	1
P5	48W	VF	5,567	115	1	0	1	5,772	119	1	0	1	5,972	123	1	0	1	5,996	124	1	0	1	5,984	124	1	0	1
		VW	5,711	118	1	0	1	5,921	122	1	0	1	6,127	126	1	0	1	6,151	127	1	0	1	6,139	127	1	0	1

### Electrical Load

Performance Package	System Watts	Current (A)					
		120V	208V	240V	277V	347V	480V
P1 / P1SW	10W	0.082	0.049	0.043	0.038	--	--
	13W	--	--	--	--	0.046	0.033
P2 / P2SW	15W	0.132	0.081	0.072	0.064	--	--
	18W	--	--	--	--	0.056	0.041
P3 / P3SW	23W	0.195	0.114	0.100	0.088	--	--
	26W	--	--	--	--	0.079	0.058
P4	35W	0.302	0.175	0.152	0.134	--	--
	38W	--	--	--	--	0.115	0.086
P5	48W	0.434	0.241	0.211	0.184	--	--
	52W	--	--	--	--	0.157	0.119

### Lumen Multiplier for 90CRI

CCT	Multiplier
27K	0.845
30K	0.867
35K	0.845
40K	0.885
50K	0.898

### Lumen Output in Emergency Mode (4000K, 80 CRI)

Option	Dist. Type	Lumens
E4WH	VF	646
	VW	647
E10WH	VF	1,658
	VW	1,701
E20WC	VF	2,840
	VW	2,913

### Lumen Ambient Temperature (LAT) Multipliers

Use these factors to determine relative lumen output for average ambient temperatures from 0-40°C (32-104°F).

Ambient	Lumen Multiplier
0°C / 32°F	1.03
10°C / 50°F	1.02
20°C / 68°F	1.01
25°C / 77°F	1.00
30°C / 86°F	0.99
40°C / 104°F	0.98

### Projected LED Lumen Maintenance

Data references the extrapolated performance projections for the platforms noted in a 25°C ambient, based on 10,000 hours of LED testing (tested per IESNA LM-80-08 and projected per IESNA TM-21-11).

To calculate LLF, use the lumen maintenance factor that corresponds to the desired number of operating hours below. For other lumen maintenance values, contact factory.

Operating Hours	0	25,000	50,000	100,000
Lumen Maintenance Factor	1.0	>0.96	>0.95	>0.91



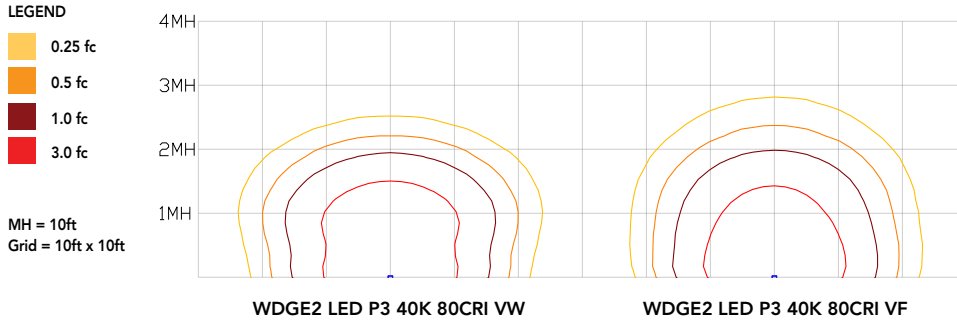
COMMERCIAL OUTDOOR

One Lithonia Way • Conyers, Georgia 30012 • Phone: 1-800-705-SERV (7378) • [www.lithonia.com](http://www.lithonia.com)  
© 2019-2022 Acuity Brands Lighting, Inc. All rights reserved.

WDGE2 LED  
Rev. 03/01/22

## Photometric Diagrams

To see complete photometric reports or download .ies files for this product, visit the Lithonia Lighting WDGE LED homepage. Tested in accordance with IESNA LM-79 and LM-80 standards.



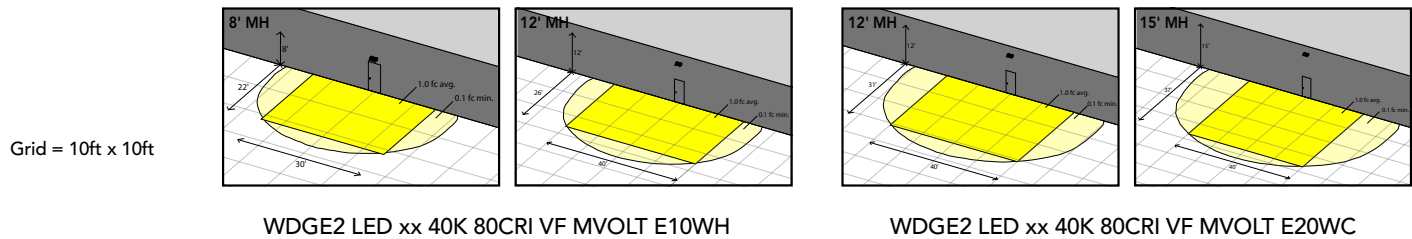
## Emergency Egress Options

### Emergency Battery Backup

The emergency battery backup is integral to the luminaire — no external housing required! This design provides reliable emergency operation while maintaining the aesthetics of the product. All emergency battery backup configurations include an independent secondary driver with an integral relay to immediately detect loss of normal power and automatically energize the luminaire. The emergency battery will power the luminaire for a minimum duration of 90 minutes (maximum duration of three hours) from the time normal power is lost and maintain a minimum of 60% of the light output at the end of 90 minutes.

Applicable codes: NFPA 70/NEC – section 700.16, NFPA 101 Life Safety Code Section 7.9

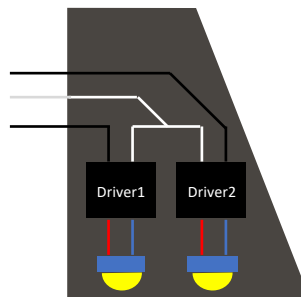
The examples below show illuminance of 1 fc average and 0.1 fc minimum in emergency mode with E10WH or E20WC and VF distribution.



### Dual Switching (DS) Option

The dual switching option offers operational redundancy that certain codes require. With this option the luminaire comes integrated with two drivers and two light engines. These work completely independent to each other so that a failure of any individual component does not cause the whole luminaire to go dark. This option is typically used with a back generator or inverter providing emergency power.

Applicable codes: NFPA 70/NEC – section 700.16, NFPA 101 Life Safety Code Section 7.9



## Motion/Ambient Sensor (PIR\_, PIRH\_)

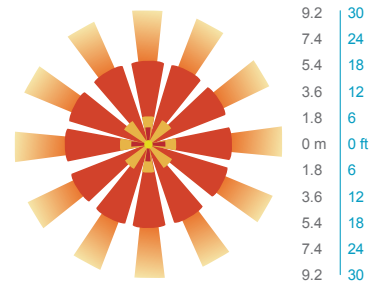
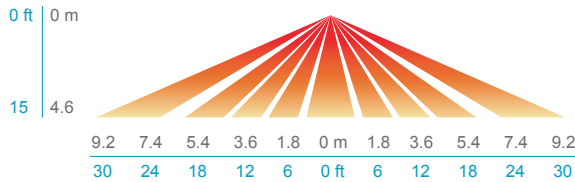
Motion/Ambient sensor (Sensor Switch MSOD) is integrated into the the luminaire. The sensor provides both Motion and Daylight based dimming of the luminaire. For motion detection, the sensor utilizes 100% Digital Passive Infrared (PIR) technology that is tuned for walking size motion while preventing false tripping from the environment. The integrated photocell enables additional energy savings during daytime periods when there is sufficient daylight. Optimize sensor coverage by either selecting PIR or PIRH option. PIR option comes with a sensor lens that is optimized to provide maximum coverage for mounting heights between 8-15ft, while PIRH is optimized for 15-40ft mounting height.

## Networked Control (NLTAIR2)

nLight® AIR is a wireless lighting controls platform that allows for seamless integration of both indoor and outdoor luminaires. Five-tier security architecture, 900 MHz wireless communication and app (CLAIRITY™ Pro) based configurability combined together make nLight® AIR a secure, reliable and easy to use platform.

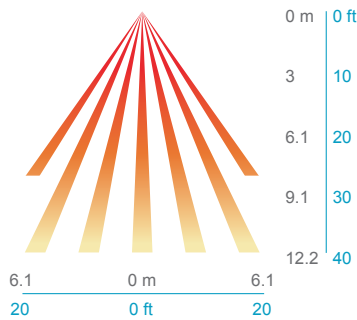
### PIR

#### HIGH VIEW

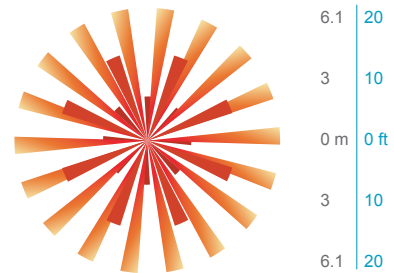


### PIRH

#### SIDE VIEW



#### TOP VIEW



Option	Dim Level	High Level (when triggered)	Photocell Operation	Motion Time Delay	Ramp-down Time	Ramp-up Time
PIR or PIRH	Motion - 3V (37% of full output) Photocell - 0V (turned off)	10V (100% output)	Enabled @ 5fc	5 min	5 min	Motion - 3 sec Photocell - 45 sec
PIR1FC3V, PIRH1FC3V	Motion - 3V (37% of full output) Photocell - 0V (turned off)	10V (100% output)	Enabled @ 1fc	5 min	5 min	Motion - 3 sec Photocell - 45 sec
NLTAIR2 PIR, NLTAIR2 PIRH (out of box)	Motion - 3V (37% of full output) Photocell - 0V (turned off)	10V (100% output)	Enabled @ 5fc	7.5 min	5 min	Motion - 3 sec Photocell - 45 sec



### NLTAIR2 PIR – nLight AIR Motion/Ambient Sensor

D = 7"

H = 11"

W = 11.5"



### PBBW – Surface-Mounted Back Box Use when there is no junction box available.

D = 1.75"

H = 9"

W = 11.5"



### AWS – 3/8inch Architectural Wall Spacer

D = 0.38"

H = 4.4"

W = 7.5"

## FEATURES & SPECIFICATIONS

### INTENDED USE

Common architectural look, with clean rectilinear shape, of the WDGE LED was designed to blend with any type of construction, whether it be tilt-up, frame or brick. Applications include commercial offices, warehouses, hospitals, schools, malls, restaurants, and other commercial buildings.

### CONSTRUCTION

The single-piece die-cast aluminum housing integrates secondary heat sinks to optimize thermal transfer from the internal light engine heat sinks and promote long life. The driver is mounted in direct contact with the casting for a low operating temperature and long life. The die-cast door frame is fully gasketed with a one-piece solid silicone gasket to keep out moisture and dust, providing an IP66 rating for the luminaire.

### FINISH

Exterior painted parts are protected by a zinc-infused Super Durable TGIC thermoset powder coat finish that provides superior resistance to corrosion and weathering. A tightly controlled multi-stage process ensures a 3 mils thickness for a finish that can withstand extreme climate changes without cracking or peeling. Standard Super Durable colors include dark bronze, black, natural aluminum, sandstone and white. Available in textured and non-textured finishes.

### OPTICS

Well crafted reflector optics allow the light engine to be recessed within the luminaire, providing visual comfort, superior distribution, uniformity, and spacing in wall-mount applications. The WDGE LED has zero uplight and qualifies as a Nighttime Friendly™ product, meaning it is consistent with the LEED® and Green Globes™ criteria for eliminating wasteful uplight.

### ELECTRICAL

Light engine consists of high-efficiency LEDs mounted to metal-core circuit boards to maximize heat dissipation and promote long life (up to L91/100,000 hours at 25°C). The electronic driver has a power factor of >90%, THD <20%. Luminaire comes with built in 6kV surge protection, which meets a minimum Category C low exposure (per ANSI/IEEE C62.41.2). Fixture ships standard with 0-10v dimmable driver.

### INSTALLATION

A universal mounting plate with integral mounting support arms allows the fixture to hinge down for easy access while making wiring connections. The 3/8" Architectural Wall Spacer (AWS) can be used to create a floating appearance or to accommodate small imperfections in the wall surface. The ICW option can be used to mount the luminaire inverted for indirect lighting in dry and damp locations. Design can withstand up to a 1.5 G vibration load rating per ANSI C136.31.

### LISTINGS

CSA certified to U.S. and Canadian standards. Luminaire is IP66 rated. PIR options are rated for wet location. Rated for -40°C minimum ambient. DesignLights Consortium® (DLC) Premium qualified product and DLC qualified product. Not all versions of this product may be DLC Premium qualified or DLC qualified. Please check the DLC Qualified Products List at [www.designlights.org/QPL](http://www.designlights.org/QPL) to confirm which versions are qualified. International Dark-Sky Association (IDA) Fixture Seal of Approval (FSA) is available for all products on this page utilizing 2700K and 3000K color temperature only and SRM mounting only.

### BUY AMERICAN

Product with the BAA option is assembled in the USA and meets the Buy America(n) government procurement requirements under FAR, DFARS and DOT. Please refer to [www.acuitybrands.com/buy-american](http://www.acuitybrands.com/buy-american) for additional information.

### WARRANTY

5-year limited warranty. This is the only warranty provided and no other statements in this specification sheet create any warranty of any kind. All other express and implied warranties are disclaimed. Complete warranty terms located at: [www.acuitybrands.com/support/warranty/terms-and-conditions](http://www.acuitybrands.com/support/warranty/terms-and-conditions)

**Note:** Actual performance may differ as a result of end-user environment and application. All values are design or typical values, measured under laboratory conditions at 25 °C. Specifications subject to change without notice.



# KAD LED LED Area Luminaire

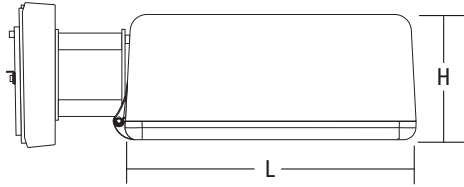


Catalog Number
Notes
Type

Hit the Tab key or mouse over the page to see all interactive elements.

## Specifications

<b>EPA:</b>	1.2 ft <sup>2</sup> (0.11 m <sup>2</sup> )
<b>Length:</b>	17-1/2" (44.5 cm)
<b>Width:</b>	17-1/2" (44.5 cm)
<b>Height:</b>	7-1/8" (18.1 cm)
<b>Weight (max):</b>	36 lbs. (16.4 kg)



## A+ Capable Luminaire

This item is an A+ capable luminaire, which has been designed and tested to provide consistent color appearance and system-level interoperability.

- All configurations of this luminaire meet the Acuity Brands' specification for chromatic consistency
- This luminaire is A+ Certified when ordered with DTL® controls marked by a **shaded background**. DTL DLL equipped luminaires meet the A+ specification for luminaire to photocontrol interoperability<sup>1</sup>
- This luminaire is part of an A+ Certified solution for ROAM®2 or XPoint™ Wireless control networks, providing out-of-the-box control compatibility with simple commissioning, when ordered with drivers and control options marked by a **shaded background**<sup>1</sup>

To learn more about A+, visit [www.acuitybrands.com/aplus](http://www.acuitybrands.com/aplus).

1. See ordering tree for details.
2. A+ Certified Solutions for ROAM require the order of one ROAM node per luminaire. Sold Separately: [Link to Roam](#); [Link to DTL DLL](#)

A+ Capable options indicated by this color background.

## Ordering Information

**EXAMPLE:** KAD LED 40C 1000 40K R5 MVOLT SPD04 DDBXD

KAD LED	Series	LEDs	Drive current	CCT	Distribution	Voltage	Mounting <sup>3</sup>
KAD LED	20C <sup>1</sup>	20 LEDs	530 530 mA <sup>1</sup>	30K 3000 K	R2 Type II	MVOLT <sup>3</sup> 277 <sup>4</sup>	<b>Shipped included</b> SPUMBAK__ Square pole universal mounting adaptor <sup>6</sup> RPUMBAK__ Round pole universal mounting adaptor <sup>6</sup> SPD__ Square pole RPD__ Round pole WBD__ Wall bracket <sup>2</sup> WWD__ Wood pole or wall  <b>Shipped separately</b> 04 4" arm DAD12P Degree arm (pole) 06 6" arm DAD12WB Degree arm (wall) 09 9" arm <sup>5</sup> KMA Mast arm external fitter 12 12" arm <sup>6</sup>
	30C <sup>1</sup>	30 LEDs	700 700 mA	40K 4000 K	R3 Type III	120 <sup>4</sup> 347 <sup>1,3</sup>	
	40C	40 LEDs	1000 1000 mA	50K 5000 K	R4 Type IV	208 <sup>4,5</sup> 480 <sup>1,3</sup>	
	60C	60 LEDs			R5 Type V <sup>2</sup>	240 <sup>4,5</sup>	

Options	Finish (required)
<b>Shipped installed</b> PER5 NEMA twist-lock five-wire receptacle only (no controls) <sup>7,8,9</sup> PER7 Seven-wire receptacle only (no controls) <sup>7,8,9</sup> SF Single fuse (120, 277, 347V) <sup>4</sup> DF Double fuse (208, 240, 480V) <sup>4</sup> PIR Bi-level, motion/ambient sensor, 8-15' mounting height, ambient sensor enabled at 5fc <sup>3,10,11,12,13</sup> PIRH Bi-level, motion/ambient sensor, 15-30' mounting height, ambient sensor enabled at 5fc <sup>3,10,11,12,13</sup>	<b>Shipped separately</b> <sup>17</sup> WG Wire guard DDBXD Dark bronze DBLXD Black DNAXD Natural aluminum DWHXD White DDBTXD Textured dark bronze DBLTXD Textured black DNATXD Textured natural aluminum DWHXD Textured white
PIR1FC3V Bi-level, motion/ambient sensor, 8-15' mounting height, ambient sensor enabled at 1fc <sup>3,10,11,12,13</sup> PIRH1FC3V Bi-level, motion/ambient sensor, 15-30' mounting height, ambient sensor enabled at 1fc <sup>3,10,11,12,13</sup> BL30 Bi-level switched dimming, 30% <sup>3,9,10,11</sup> BL50 Bi-level switched dimming, 50% <sup>3,9,10,11</sup> PNMTDD3 Part night, dim till dawn <sup>3,11,16</sup> PNMT5D3 Part night, dim 5 hrs <sup>3,11,16</sup> PNMT6D3 Part night, dim 6 hrs <sup>3,11,16</sup> PNMT7D3 Part night, dim 7 hrs <sup>3,11,16</sup> HS Houseside shield <sup>17</sup>	



## Ordering Information

### Accessories

Ordered and shipped separately.

DLL127F 1.5 JU	Photozell - SSL twist-lock (120-277V) <sup>18</sup>
DLL347F 1.5 CUL JU	Photozell - SSL twist-lock (347V) <sup>18</sup>
DLL480F 1.5 CUL JU	Photozell - SSL twist-lock (480V) <sup>18</sup>
DSHORT SBK U	Shorting cap <sup>18</sup>
KADLEDHS 20C U	Houseside shield for 20 LED unit
KADLEDHS 30C U	Houseside shield for 30 LED unit
KADLEDHS 40C U	Houseside shield for 40 LED unit
KADLEDHS 60C U	Houseside shield for 60 LED unit
KMA DDBXD U	Mast arm adaptor (specify finish)
KADWG U	Wire guard accessory
PUMBAK DDBXD U*	Square and round pole universal mounting bracket adaptor (specify finish)

For more control options, visit [DTL](#) and [ROAM](#) online.

\*Round pole top must be 3.25" O.D. minimum.

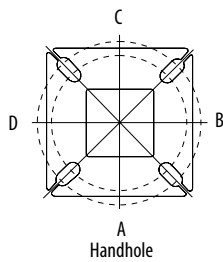
### NOTES

- 20C or 30C LED are not available with 530 Drive Current and 347V or 480V.
- Any Type 5 distribution, is not available with WBA.
- Any PIRx with BL30, BL50 or PNMT, is not available with 208V,240V, 347V, 480V or MVOLT. It is only available in 120V or 277V specified.
- MVOLT driver operates on any line voltage from 120-277V (50/60 Hz). Single fuse (SF) requires 120, 277 or 347 voltage option. Double fuse (DF) requires 208, 240 or 480 voltage option.
- 9" or 12" arm is required when two or more luminaires are oriented on a 90° drilling pattern.
- Available as a separate combination accessory: PUMBAK (finish) U.
- Mounting must be restricted to ±45° from horizontal aim per ANSI C136.10-2010. Not available with motion sensor.
- Photozell ordered and shipped as a separate line item from Acuity Brands Controls. See accessories. Not available with DS option. Shorting cap included.
- If ROAM® node required, it must be ordered and shipped as a separate line item from Acuity Brands Controls. Not available with DCR. Node with integral dimming. Shorting cap included.
- PIR and PIR1FC3V specify the [SensorSwitch SBGR-10-ODP](#) control; PIRH and PIRH1FC3V specify the [SensorSwitch SBGR-6-ODP](#) control. Dimming driver standard. Not available with PER5 or PER7.
- Maximum ambient temperature with 347V or 480V is 30°C.
- Reference Motion Sensor table.
- Reference PER table on page 3 to see functionality.
- Requires an additional switched circuit with same phase as main luminaire power. Supply circuit and control circuit are required to be in the same phase.
- Dimming driver standard. MVOLT only. Not available with 347V, 480V, PER5, PER7 or PNMT options.
- Dimming driver standard. MVOLT only. Not available with 347V, 480V, PER5, PER7, BL30 or BL50.
- Also available as a separate accessory; see Accessories information.
- Requires luminaire to be specified with PER option. Ordered and shipped as a separate line item from Acuity Brands Controls.

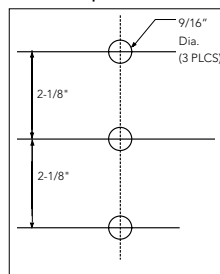
## Drilling

Template #5

### HANDHOLE ORIENTATION



### Top of Pole



### Tenon Mounting Slipfitter\*\*

Tenon O.D.	Single Unit	2 at 180°	2 at 90° †	3 at 120°	3 at 90° †	4 at 90° †
2-3/8"	T20-190	T20-280	T20-290	T20-320 †	T20-390	T20-490
2-7/8"	T25-190	T25-280	T25-290	T25-320	T25-390	T25-490
4"	T35-190	T35-280	T35-290	T35-320	T35-390	T35-490

\*\* For round pole mounting (RPDXX) only. † Requires 9" or 12" arm.

Pole drilling nomenclature: # of heads at degree from handhole (default side A)					
DM19	DM28	DM29	DM39	DM49	
1 @ 90°	2 @ 280°	2 @ 90°	3 @ 90°	4 @ 90°	
Side B	Side B & D	Side B & C	Side B, C, & D	Sides A, B, C, D	

Note: Review luminaire spec sheet for specific nomenclature

# Performance Data

## Lumen Output

Lumen values are from photometric tests performed in accordance with IESNA LM-79-08. Data is considered to be representative of the configurations shown, within the tolerances allowed by Lighting Facts. Contact factory for performance data on any configurations not shown here.

LEDs	Drive Current (mA)	System Watts	Dist. Type	30K (3000 K, 70 CRI)					40K (4000 K, 70 CRI)					50K (5000 K, 70 CRI)				
				Lumens	B	U	G	LPW	Lumens	B	U	G	LPW	Lumens	B	U	G	LPW
20C	530 mA	35W	R2	4,140	1	0	1	118	4,446	1	0	1	127	4,473	1	0	1	128
			R3	4,123	1	0	1	118	4,427	1	0	1	126	4,455	1	0	1	127
			R4	4,128	1	0	1	118	4,433	1	0	1	127	4,460	1	0	1	127
			R5	4,381	2	0	1	125	4,704	3	0	1	134	4,734	3	0	1	135
	700 mA	45W	R2	5,271	1	0	1	117	5,660	1	0	1	126	5,696	1	0	2	127
			R3	5,250	1	0	2	117	5,637	1	0	2	125	5,672	1	0	2	126
			R4	5,256	1	0	2	117	5,644	1	0	2	125	5,679	1	0	2	126
			R5	5,578	3	0	1	124	5,990	3	0	1	133	6,027	3	0	1	134
	1000 mA	73W	R2	7,344	1	0	2	101	7,886	2	0	2	108	7,935	2	0	2	109
			R3	7,314	1	0	2	100	7,854	1	0	2	108	7,903	1	0	2	108
			R4	7,322	1	0	2	100	7,863	1	0	2	108	7,912	1	0	2	108
			R5	7,771	3	0	1	106	8,345	3	0	1	114	8,397	3	0	1	115
30C	530 mA	53W	R2	6,166	1	0	2	116	6,621	1	0	2	125	6,663	1	0	2	126
			R3	6,141	1	0	2	116	6,594	1	0	2	124	6,635	1	0	2	125
			R4	6,148	1	0	2	116	6,602	1	0	2	125	6,643	1	0	2	125
			R5	6,525	3	0	1	123	7,006	3	0	1	132	7,050	3	0	1	133
	700 mA	69W	R2	7,817	2	0	2	113	8,395	2	0	2	122	8,447	2	0	2	122
			R3	7,785	1	0	2	113	8,360	2	0	2	121	8,412	2	0	2	122
			R4	7,794	1	0	2	113	8,370	1	0	2	121	8,422	1	0	2	122
			R5	8,272	3	0	2	120	8,883	3	0	2	129	8,938	3	0	2	130
	1000 mA	108W	R2	10,755	2	0	2	100	11,549	2	0	2	107	11,621	2	0	2	108
			R3	10,711	2	0	2	99	11,502	2	0	2	106	11,574	2	0	2	107
			R4	10,724	2	0	2	99	11,515	2	0	2	107	11,587	2	0	2	107
			R5	11,381	3	0	2	105	12,221	4	0	2	113	12,297	4	0	2	114
40C	530 mA	71W	R2	8,156	2	0	2	115	8,758	2	0	2	123	8,812	2	0	2	124
			R3	8,122	2	0	2	114	8,722	2	0	2	123	8,776	2	0	2	124
			R4	8,132	1	0	2	115	8,732	1	0	2	123	8,786	1	0	2	124
			R5	8,630	3	0	2	122	9,267	3	0	2	131	9,325	3	0	2	131
	700 mA	94W	R2	10,286	2	0	2	109	11,045	2	0	2	118	11,114	2	0	2	118
			R3	10,244	2	0	2	109	11,000	2	0	2	117	11,069	2	0	2	118
			R4	10,256	2	0	2	109	11,013	2	0	2	117	11,081	2	0	2	118
			R5	10,884	3	0	2	116	11,688	4	0	2	124	11,761	4	0	2	125
	1000 mA	141W	R2	13,923	2	0	2	99	14,951	2	0	2	106	15,045	2	0	2	107
			R3	13,866	2	0	3	98	14,890	2	0	3	106	14,983	2	0	3	106
			R4	13,882	2	0	3	98	14,907	2	0	3	106	15,000	2	0	3	106
			R5	14,733	4	0	2	104	15,821	4	0	2	112	15,920	4	0	2	113
60C	530 mA	103W	R2	11,996	2	0	2	116	12,882	2	0	2	125	12,963	2	0	2	126
			R3	11,947	2	0	2	116	12,829	2	0	2	125	12,909	2	0	2	125
			R4	11,961	2	0	2	116	12,844	2	0	2	125	12,925	2	0	2	125
			R5	12,694	4	0	2	123	13,632	4	0	2	132	13,717	4	0	2	133
	700 mA	137W	R2	14,927	2	0	2	109	16,029	3	0	3	117	16,130	3	0	3	118
			R3	14,866	2	0	3	109	15,964	2	0	3	117	16,063	2	0	3	117
			R4	14,884	2	0	2	109	15,982	2	0	3	117	16,082	2	0	3	117
			R5	15,796	4	0	2	115	16,962	4	0	2	124	17,068	4	0	2	125
	1000 mA	216W	R2	19,328	3	0	3	89	20,754	3	0	3	96	20,884	3	0	3	97
			R3	19,248	3	0	3	89	20,669	3	0	4	96	20,799	3	0	4	96
			R4	19,271	3	0	3	89	20,693	3	0	4	96	20,823	3	0	4	96
			R5	20,452	4	0	2	95	21,962	4	0	2	102	22,099	4	0	2	102



## Performance Data

### Lumen Ambient Temperature (LAT) Multipliers

Use these factors to determine relative lumen output for average ambient temperatures from 0-40°C (32-104°F).

Ambient		Lumen Multiplier
0°C	32°F	1.02
10°C	50°F	1.01
20°C	68°F	1.00
<b>25°C</b>	<b>77°F</b>	<b>1.00</b>
30°C	86°F	1.00
40°C	104°F	0.99

### Projected LED Lumen Maintenance

Data references the extrapolated performance projections for the **KAD LED** platform in a **25°C ambient**, based on 10,000 hours of LED testing (tested per IESNA LM-80-08 and projected per IESNA TM-21-11).

To calculate LLF, use the lumen maintenance factor that corresponds to the desired number of operating hours below. For other lumen maintenance values, contact factory.

Operating Hours	0	25,000	50,000	100,000
Lumen Maintenance Factor	KAD LED 60C 1000			
	1.0	0.91	0.86	0.76
	KAD LED 40C 1000			
	1.0	0.93	0.88	0.79
KAD LED 60C 700				
1.0	0.98	0.97	0.94	

### Motion Sensor Default Settings

Option	Dimmed State	High Level (when triggered)	Photocell Operation	Dwell Time	Ramp-up Time	Ramp-down Time
PIR or PIRH	3V (37%) Output	10V (100%) Output	Enabled @ 5FC	5 min	3 sec	5 min
*PIR1FC3V or PIRH1FC3V	3V (37%) Output	10V (100%) Output	Enabled @ 1FC	5 min	3 sec	5 min

\*For use when motion sensor is used as dusk to dawn control

### PER Table

Control	PER (3 wire)	PER5 (5 wire)		PER7 (7 wire)	
		Wire 4/Wire5	Wire 4/Wire5	Wire 4/Wire5	Wire 6/Wire7
Photocontrol Only (On/Off)	✓	⚠	Wired to dimming leads on driver	⚠	Wires Capped inside fixture
ROAM	✗	✓	Wired to dimming leads on driver	⚠	Wires Capped inside fixture
ROAM with Motion (ROAM on/off only)	✗	⚠	Wires Capped inside fixture	⚠	Wires Capped inside fixture
Future-proof*	✗	⚠	Wired to dimming leads on driver	✓	Wires Capped inside fixture
Future-proof* with Motion	✗	⚠	Wires Capped inside fixture	✓	Wires Capped inside fixture

- ✓ Recommended
- ✗ Will not work
- ⚠ Alternate

\*Future-proof means: Ability to change controls in the future.

## Electrical Load

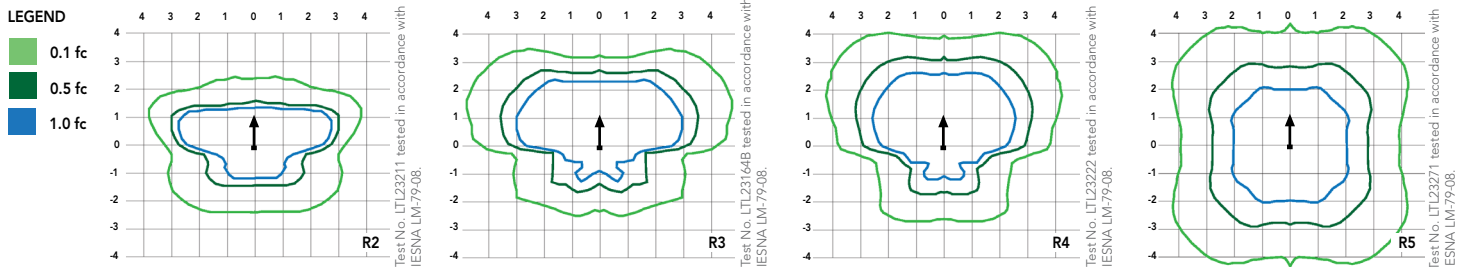
Number of LEDs	Drive Current (mA)	System Watts	Current (A)					
			120	208	240	277	347	480
20	530	35	0.30	0.18	0.16	0.15	-	-
	700	45	0.39	0.23	0.20	0.18	0.15	0.12
	1000	73	0.61	0.35	0.31	0.27	0.22	0.17
30	530	53	0.44	0.26	0.23	0.20	-	-
	700	69	0.58	0.34	0.29	0.26	0.21	0.16
	1000	108	0.90	0.52	0.46	0.40	0.32	0.24
40	530	71	0.60	0.35	0.32	0.29	0.21	0.16
	700	94	0.79	0.46	0.41	0.36	0.27	0.20
	1000	141	1.18	0.68	0.59	0.52	0.42	0.30
60	530	103	0.87	0.50	0.44	0.39	0.29	0.22
	700	137	1.15	0.66	0.58	0.51	0.40	0.29
	1000	216	1.81	1.04	0.92	0.81	0.63	0.47

**NOTE:** All ratings in this table are for a nominal system operated at 25°C ambient temperature. Current and power specifications in this table do not include branch circuit derating specified in the National Electrical Code. Please observe all applicable electrical codes and ratings.

## Photometric Diagrams

To see complete photometric reports or download .ies files for this product, visit Lithonia Lighting's [KAD LED homepage](#).

Isofootcandle plots for the KAD LED 60C 1000 40K. Distances are in units of mounting height (20').



---

## FEATURES & SPECIFICATIONS

### INTENDED USE

The energy savings and long life of the KAD LED area luminaire make it a reliable choice for illuminating streets, walkways, parking lots, and surrounding areas.

### CONSTRUCTION

Single-piece die-cast, aluminum housing with contoured edges has a 0.12" nominal wall thickness. Die-cast door frame has an impact-resistant, tempered glass lens that is fully gasketed with one piece tubular silicone.

### FINISH

Exterior parts are protected by a zinc-infused Super Durable TGIC thermoset powder coat finish that provides superior resistance to corrosion and weathering. A tightly controlled multi-stage process ensures a minimum 3 mils thickness for a finish that can withstand extreme climate changes without cracking or peeling.

### OPTICS

Precision-molded refractive acrylic lenses are available in four distributions. Light engines are available in standard 4000K, 3000K or 5000K (70 CRI) configurations.

### ELECTRICAL

Light engine consists of high-efficacy LEDs mounted to a metal-core circuit board and aluminum heat sink, ensuring optimal thermal management and long life. Class 1 electronic driver has a power factor >90%, THD <20%, and has an expected life of 100,000 hours with <1% failure rate. Easily-serviceable surge protection device meets a minimum Category C Low (per ANSI/IEEE C62.41.2).

### INSTALLATION

Included universal mounting block and extruded aluminum arm facilitate quick and easy installation using nearly any existing drilling pattern. Stainless steel bolts fasten the luminaire to the mounting block securing it to poles or walls. The KAD LED can withstand up to a 1.5 G vibration load rating per ANSI C136.31. The KAD LED also utilizes the standard K-Series (Template #5) for pole drilling.

### LISTINGS

CSA certified to U.S. and Canadian standards. Luminaire is IP65 rated. Rated for -40°C minimum ambient.

DesignLights Consortium® (DLC) qualified product. Not all versions of this product may be DLC qualified. Please check the DLC Qualified Products List at [www.designlights.org/QPL](http://www.designlights.org/QPL) to confirm which versions are qualified.

### BUY AMERICAN

This product is assembled in the USA and meets the Buy America(n) government procurement requirements under FAR, DFARS and DOT. Please refer to [www.acuitybrands.com/resources/buy-american](http://www.acuitybrands.com/resources/buy-american) for additional information.

### WARRANTY

5-year limited warranty. This is the only warranty provided and no other statements in this specification sheet create any warranty of any kind. All other express and implied warranties are disclaimed. Complete warranty terms located at: [www.acuitybrands.com/support/warranty/terms-and-conditions](http://www.acuitybrands.com/support/warranty/terms-and-conditions)

**Note:** Actual performance may differ as a result of end-user environment and application. All values are design or typical values, measured under laboratory conditions at 25 °C. Specifications subject to change without notice.



COMMERCIAL OUTDOOR

One Lithonia Way • Conyers, Georgia 30012 • Phone: 800-705-SERV (7378) • [www.lithonia.com](http://www.lithonia.com)  
© 2012-2022 Acuity Brands Lighting, Inc. All rights reserved.

KAD-LED  
Rev. 02/24/22  
Page 5 of 5