



URBAN DESIGN COMMISSION APPLICATION CITY OF MADISON

215 Martin Luther King Jr. Blvd; Room LL-100
PO Box 2985; Madison, Wisconsin 53701-2985
Phone: 608.266.4635 | Facsimile: 608.267.8739

This form may also be completed online at:
<http://www.cityofmadison.com/planning/documents/UDCapplication.pdf>

Please complete all sections of the application, including the desired meeting date and the type of action requested.

Date Submitted: <u>April 27, 2016</u>	<input type="checkbox"/> Informational Presentation
UDC Meeting Date: <u>May 11, 2016</u>	<input type="checkbox"/> Initial Approval
Combined Schedule Plan Commission Date (if applicable): _____	<input checked="" type="checkbox"/> Final Approval

1. Project Address: 5401 Tancho Drive
Project Title (if any): 22 Slate Apartments

2. This is an application for (Check all that apply to this UDC application):

New Development Alteration to an Existing or Previously-Approved Development

A. Project Type: SIP for a previously approved GDP

- Project in an Urban Design District* (public hearing-\$300 fee)
- Project in the Downtown Core District (DC) or Urban Mixed-Use District (UMX) (\$150 fee, Minor Exterior Alterations)
- Suburban Employment Center (SEC) or Campus Institutional District (CI) or Employment Campus District (EC)
- Planned Development (PD)
 - General Development Plan (GDP)
 - Specific Implementation Plan (SIP)
 - Planned Multi-Use Site or Planned Residential Complex

B. Signage:

- Comprehensive Design Review* (public hearing-\$300 fee) Street Graphics Variance* (public hearing-\$300 fee)
- Signage Exception(s) in an Urban Design District (public hearing-\$300 fee)

C. Other:

Please specify: _____

3. Applicant, Agent & Property Owner Information:

Applicant Name: Joseph Lee Company: JLA Architects + Planners
 Street Address: 2418 Crossroads Drive - 2300 City/State: Madison, Wisconsin Zip: 53718
 Telephone: (608) 241-9500 Fax: (____) _____ Email: jlee@jla-ap.com

Project Contact Person: Joseph Lee Company: JLA Architects + Planners
 Street Address: 2418 Crossroads Drive - 2300 City/State: Madison, Wisconsin Zip: 53718
 Telephone: (608) 241-9500 Fax: (____) _____ Email: jlee@jla-ap.com

Project Owner (if not applicant): Fiduciary Real Estate Development
 Street Address: 789 N. Water Street - Suite 200 City/State: Milwaukee, Wisconsin Zip: 53718
 Telephone: (414) 226-4535 Fax: (____) _____ Email: mschiltz@fred-inc.com

4. Applicant Declarations:

A. Prior to submitting this application, the applicant is required to discuss the proposed project with Urban Design Commission staff. This application was discussed with Al Martin on Various Times.
(name of staff person) (date of meeting)

B. The applicant attests that all required materials are included in this submittal and understands that if any required information is not provided by the application deadline, the application will not be placed on an Urban Design Commission agenda for consideration.

Name of Applicant Joseph Lee Relationship to Property Project Designer
 Authorized Signature Date April 27, 2016

22-SLATE APARTMENTS

5401 Tancho Drive
Madison, Wisconsin



MADISON URBAN DESIGN SUBMITTAL

BUILDINGS A1, A2, A3, B1, B2, B3, B4, AND CLUBHOUSE



JLA PROJECT NUMBER: 15-0617-01

APRIL 27, 2016



JLA

architects + planners

JOSEPH LEE + ASSOCIATES
2418 CROSSROADS DRIVE - SUITE 2300
MADISON, WISCONSIN 53718
608.241.9500

JLA PROJECT NUMBER: 15-0617-01

 **Fiduciary**
REAL ESTATE DEVELOPMENT, INC

UDC Submittal

**22-SLATE
APARTMENTS**

PROGRESS DOCUMENTS

These documents reflect progress and intent and may be subject to change, including additional detail. These are not final construction documents and should not be used for final bidding or construction-related purposes.

DATE OF ISSUANCE APRIL 27, 2016

REVISION SCHEDULE		
Mark	Description	Date

SHEET TITLE

Locator Map

SHEET NUMBER

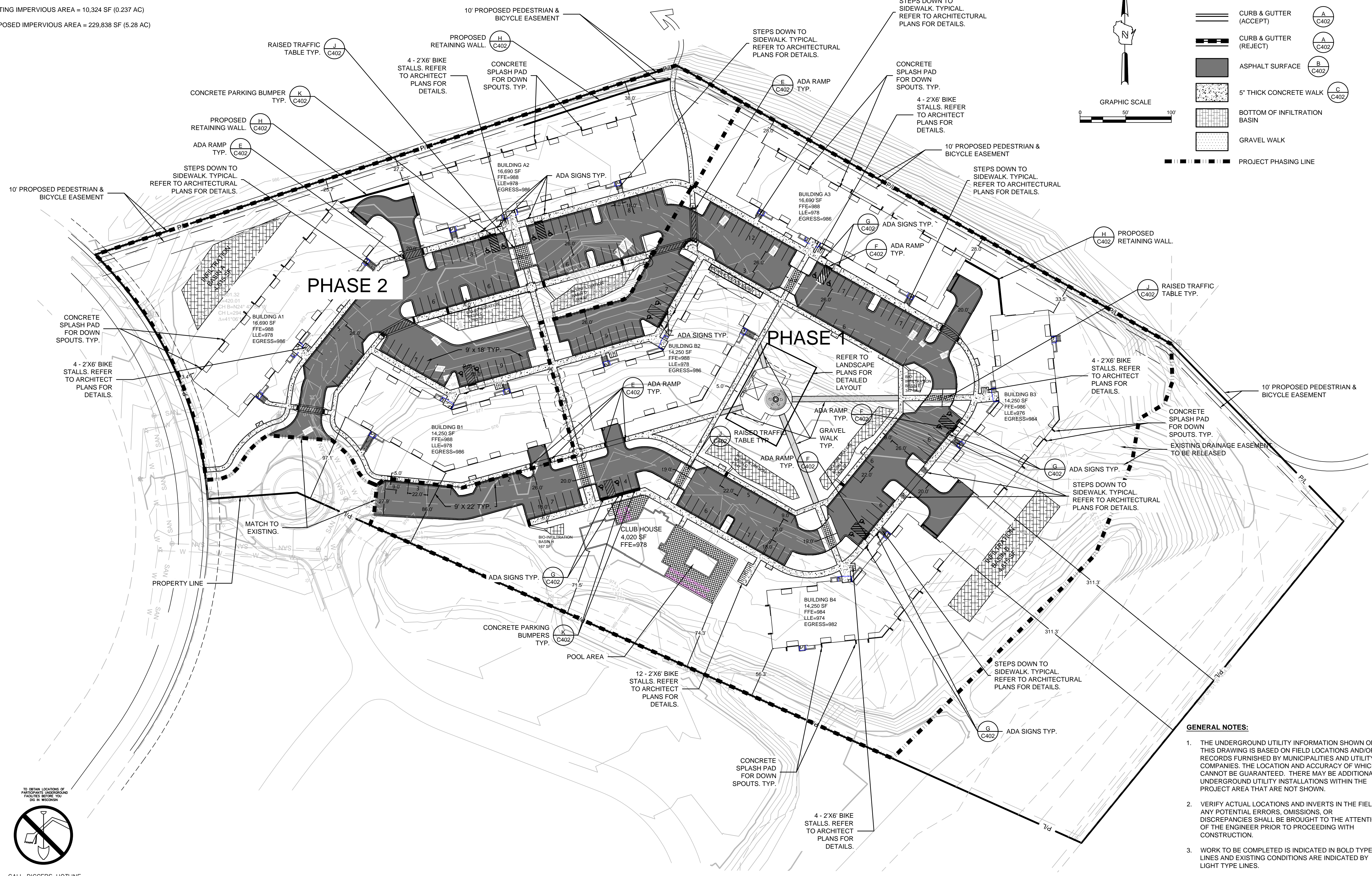
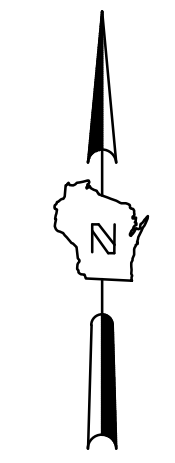
G001-UDC

SITE INFORMATION:

TOTAL SITE = 619,233 SF (12.21 AC)
 TOTAL DISTURBED AREA = 481,338 SF (11.05 AC)
 EXISTING IMPERVIOUS AREA = 10,324 SF (0.237 AC)
 PROPOSED IMPERVIOUS AREA = 229,838 SF (5.28 AC)

LEGEND:

- CURB & GUTTER (ACCEPT) (A/C402)
- CURB & GUTTER (REJECT) (A/C402)
- ASPHALT SURFACE (B/C402)
- 5' THICK CONCRETE WALK (C/C402)
- BOTTOM OF INFILTRATION BASIN
- GRAVEL WALK
- PROJECT PHASING LINE



INFILTRATION BASIN INFORMATION
 TOTAL DISTURBED AREA = 481,338 SF (11.05 AC)
 2% OF DISTURBED AREA = 9628 (0.22 AC)
 INFILTRATION BASIN A = 4,815 SF (0.11 AC)
 INFILTRATION BASIN B = 4,815 SF (0.11 AC)
 INFILTRATION BASIN TOTAL = 9,630 (0.22 AC)

GENERAL NOTES:

1. THE UNDERGROUND UTILITY INFORMATION SHOWN ON THIS DRAWING IS BASED ON FIELD LOCATIONS AND/OR RECORDS FURNISHED BY MUNICIPALITIES AND UTILITY COMPANIES. THE LOCATION AND ACCURACY OF WHICH CANNOT BE GUARANTEED. THERE MAY BE ADDITIONAL UNDERGROUND UTILITY INSTALLATIONS WITHIN THE PROJECT AREA THAT ARE NOT SHOWN.
2. VERIFY ACTUAL LOCATIONS AND INVERTS IN THE FIELD. ANY POTENTIAL ERRORS, OMISSIONS, OR DISCREPANCIES SHALL BE BROUGHT TO THE ATTENTION OF THE ENGINEER PRIOR TO PROCEEDING WITH CONSTRUCTION.
3. WORK TO BE COMPLETED IS INDICATED IN BOLD TYPE LINES AND EXISTING CONDITIONS ARE INDICATED BY LIGHT TYPE LINES.
4. ELECTRONIC CIVIL FILES ARE AVAILABLE UPON WRITTEN REQUEST. DO NOT USE ELECTRONIC CIVIL FILES TO LAYOUT FOUNDATIONS, COLUMN LINES, LIGHT POLES, OR OTHER NON CIVIL SITE WORK. REFER TO ARCHITECTURAL DRAWINGS FOR DIMENSIONS OF BUILDING AND ARCHITECTURAL FEATURES.
5. DIMENSIONS ARE FROM FACE OF CURB OR EDGE OF PAVEMENT.
6. WORK WITHIN THE PUBLIC RIGHT OF WAY, INCLUDING BUT NOT LIMITED TO DRIVEWAY OPENINGS, SIDEWALK AND RAMP, PAVING, AND CURB AND GUTTER SHALL BE COMPLETED PER MUNICIPAL AND/OR COUNTY REQUIREMENTS AND STANDARDS.

PROGRESS DOCUMENTS

These documents reflect progress and intent and may be subject to change, including additional detail. These are not final construction documents and should not be used for final bidding or construction-related purposes.

DATE OF ISSUANCE: JANUARY 6, 2016

REVISION SCHEDULE		
Mark	Description	Date
1	Staff Review Submittal	April 11, 2016
2	UDC Submittal #2	April 27, 2016

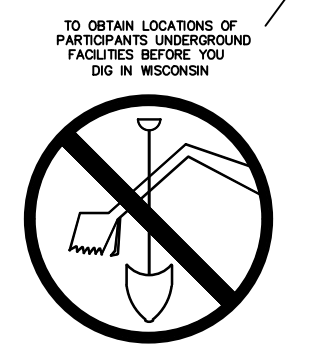
SHEET TITLE

SITE PLAN

SHEET NUMBER

C 100

File: I:\Joseph Lee & Associates\156693 Tamcho Drive\060 CAD\C - Civil\15000 Production - Civil Plans\503-Site Dimension Plan\156693 SITE DIM P.dwg



CALL DIGGERS HOTLINE
 1-800-242-8511
 TOLL FREE
 WE STATUTE (48.074(1)(a))
 REQUIRES UN. 3 WORK DAYS
 NOTICE BEFORE YOU DIG
 MILW. AREA 259-1181

THE UNDERGROUND UTILITY INFORMATION SHOWN ON THIS MAP IS BASED ON FIELD MARKINGS AND INFORMATION FURNISHED BY UTILITY COMPANIES AND THE LOCAL MUNICIPALITY. WHILE THIS INFORMATION IS BELIEVED TO BE RELIABLE, ITS ACCURACY AND COMPLETENESS CANNOT BE GUARANTEED.



JLA PROJECT NUMBER: 15-0617



SIGMA GROUP
 Single Source. Sound Solutions.
 www.thesigmagroup.com
 1300 West Canal Street
 Milwaukee, WI 53233
 Phone: 414-643-4200
 Fax: 414-643-4210

Fiduciary Real Estate Development

Staff Review Submittal

22 SLATE

These documents reflect progress and intent and may be subject to change, including additional detail. These are not final construction documents and should not be used for final bidding or construction-related purposes.

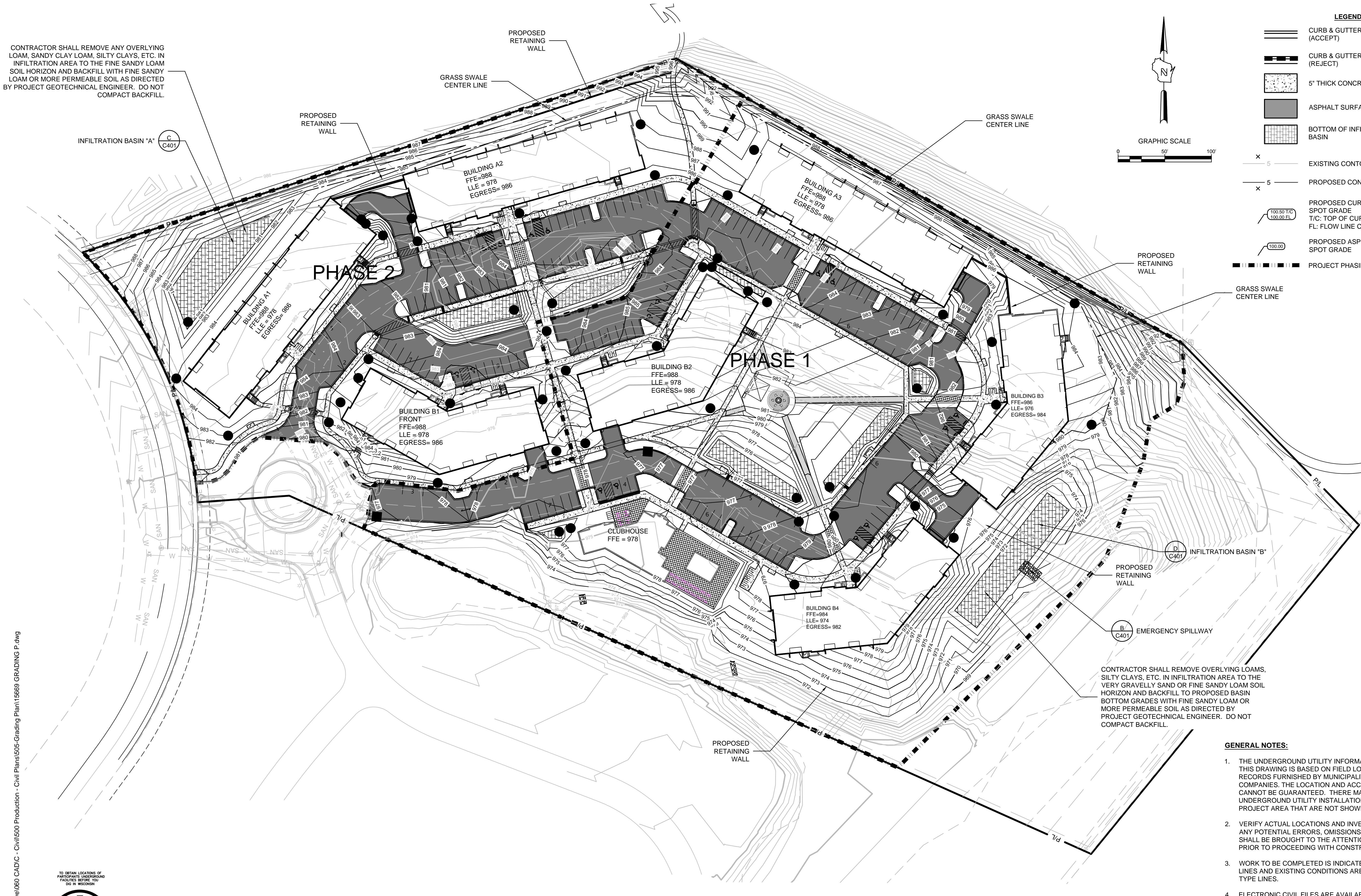
REVISION SCHEDULE		
Mark	Description	Date
1	Staff Review Submittal	April 11, 2016
2	UDC Submittal #2	April 27, 2016

CONTRACTOR SHALL REMOVE ANY OVERLYING LOAM, SANDY CLAY LOAM, SILTY CLAYS, ETC. IN INFILTRATION AREA TO THE FINE SANDY LOAM SOIL HORIZON AND BACKFILL WITH FINE SANDY LOAM OR MORE PERMEABLE SOIL AS DIRECTED BY PROJECT GEOTECHNICAL ENGINEER. DO NOT COMPACT BACKFILL.

CONTRACTOR SHALL REMOVE OVERLYING LOAMS, SILTY CLAYS, ETC. IN INFILTRATION AREA TO THE VERY GRAVELLY SAND OR FINE SANDY LOAM SOIL HORIZON AND BACKFILL TO PROPOSED BASIN BOTTOM GRADES WITH FINE SANDY LOAM OR MORE PERMEABLE SOIL AS DIRECTED BY PROJECT GEOTECHNICAL ENGINEER. DO NOT COMPACT BACKFILL.

- GENERAL NOTES:**
- THE UNDERGROUND UTILITY INFORMATION SHOWN ON THIS DRAWING IS BASED ON FIELD LOCATIONS AND/OR RECORDS FURNISHED BY MUNICIPALITIES AND UTILITY COMPANIES. THE LOCATION AND ACCURACY OF WHICH CANNOT BE GUARANTEED. THERE MAY BE ADDITIONAL UNDERGROUND UTILITY INSTALLATIONS WITHIN THE PROJECT AREA THAT ARE NOT SHOWN.
 - VERIFY ACTUAL LOCATIONS AND INVERTS IN THE FIELD. ANY POTENTIAL ERRORS, OMISSIONS, OR DISCREPANCIES SHALL BE BROUGHT TO THE ATTENTION OF THE ENGINEER PRIOR TO PROCEEDING WITH CONSTRUCTION.
 - WORK TO BE COMPLETED IS INDICATED IN BOLD TYPE LINES AND EXISTING CONDITIONS ARE INDICATED BY LIGHT TYPE LINES.
 - ELECTRONIC CIVIL FILES ARE AVAILABLE UPON WRITTEN REQUEST. DO NOT USE ELECTRONIC CIVIL FILES TO LAYOUT FOUNDATIONS, COLUMN LINES, LIGHT POLES, OR OTHER NON CIVIL SITE WORK. REFER TO ARCHITECTURAL DRAWINGS FOR DIMENSIONS OF BUILDING AND ARCHITECTURAL FEATURES.
 - DIMENSIONS ARE FROM FACE OF CURB OR EDGE OF PAVEMENT.
 - WORK WITHIN THE PUBLIC RIGHT OF WAY, INCLUDING BUT NOT LIMITED TO DRIVEWAY OPENINGS, SIDEWALK AND RAMPS, PAVING, AND CURB AND GUTTER SHALL BE COMPLETED PER MUNICIPAL AND/OR COUNTY REQUIREMENTS AND STANDARDS.
 - EARTHWORK SHALL BE IN ACCORDANCE WITH GEOTECHNICAL ENGINEER'S RECOMMENDATIONS.

APPROXIMATE TOTAL DISTURBED AREA = 481,338 SF (11.05 AC)
 OPTION 1 MAX 2% OF DISTURBED AREA REQUIRED FOR INFILTRATION = 9,628 SF (0.22 AC)
 OPTION 2: RECHARGE MIN. 2% OF DISTURBED AREA REQUIRED FOR INFILTRATION FOR PROVIDED = 9,630 SF (0.22 AC)



File: I:\Joseph Lee & Associates\156693 Tancho Drive\060 CAD\C - Civil\1500 Production - Civil Plans\05-Grading Plan\156693 GRADING P.dwg

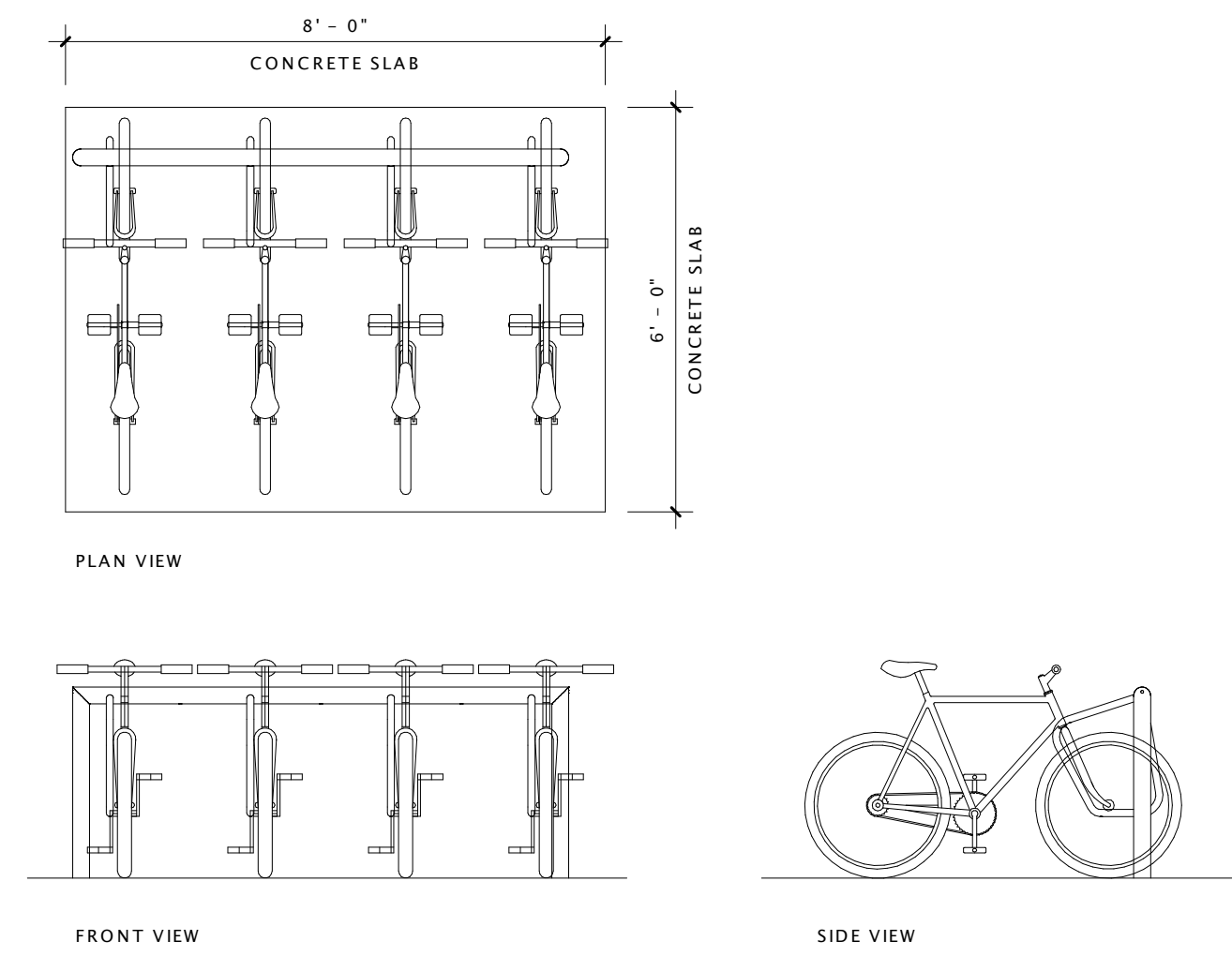
TO OBTAIN LOCATIONS OF PARTICIPATING UNDERGROUND FACILITIES BEFORE YOU DIG IN WISCONSIN

CALL DIGGERS HOTLINE
1-800-242-8511
TOLL FREE

WE STATE (RS 207.18(7))
REQUIRES MIN. 3 WORK DAYS
NOTICE BEFORE YOU EXCAVATE
MILW. AREA 259-1181

THE UNDERGROUND UTILITY INFORMATION SHOWN ON THIS MAP IS BASED ON FIELD MARKINGS AND INFORMATION FURNISHED BY UTILITY COMPANIES AND THE LOCAL MUNICIPALITY. WHILE THIS INFORMATION IS BELIEVED TO BE RELIABLE, ITS ACCURACY AND COMPLETENESS CANNOT BE GUARANTEED.

EXTERIOR BIKE RACKS:
 EXTERIOR BIKE RACKS SHALL BE 'DERO CAMPUS' - 54" OR EQUAL WITH IN-GROUND MOUNT (SHOWN IN PHOTO) & STAINLESS STEEL FINISH. ONE 54" RACK SHALL BE LOCATED AT THE ENTRY OF EACH RESIDENTIAL BUILDING AS NOTED ON THE PLANS.



3 TYPICAL EXTERIOR BIKE RACK
 3/8" = 1'-0"



10 ADA PARKING SIGNAGE
 1 1/2" = 1'-0"



16 ARCHITECTURAL SITE PLAN - OVERALL
 1" = 60'-0"

UDC Submittal

22-SLATE
 APARTMENTS

PROGRESS DOCUMENTS

These documents reflect progress and intent and may be subject to change, including additional detail. These are not final construction documents and should not be used for final bidding or construction-related purposes.

DATE OF ISSUANCE APRIL 27, 2016

REVISION SCHEDULE

Mark	Description	Date

SHEET TITLE

ARCHITECTURAL SITE
 PLAN - OVERALL

SHEET NUMBER

ASP100

Fiduciary Real Estate Development

UDC Submittal

22-SLATE APARTMENTS

DATE OF ISSUANCE APRIL 27, 2016

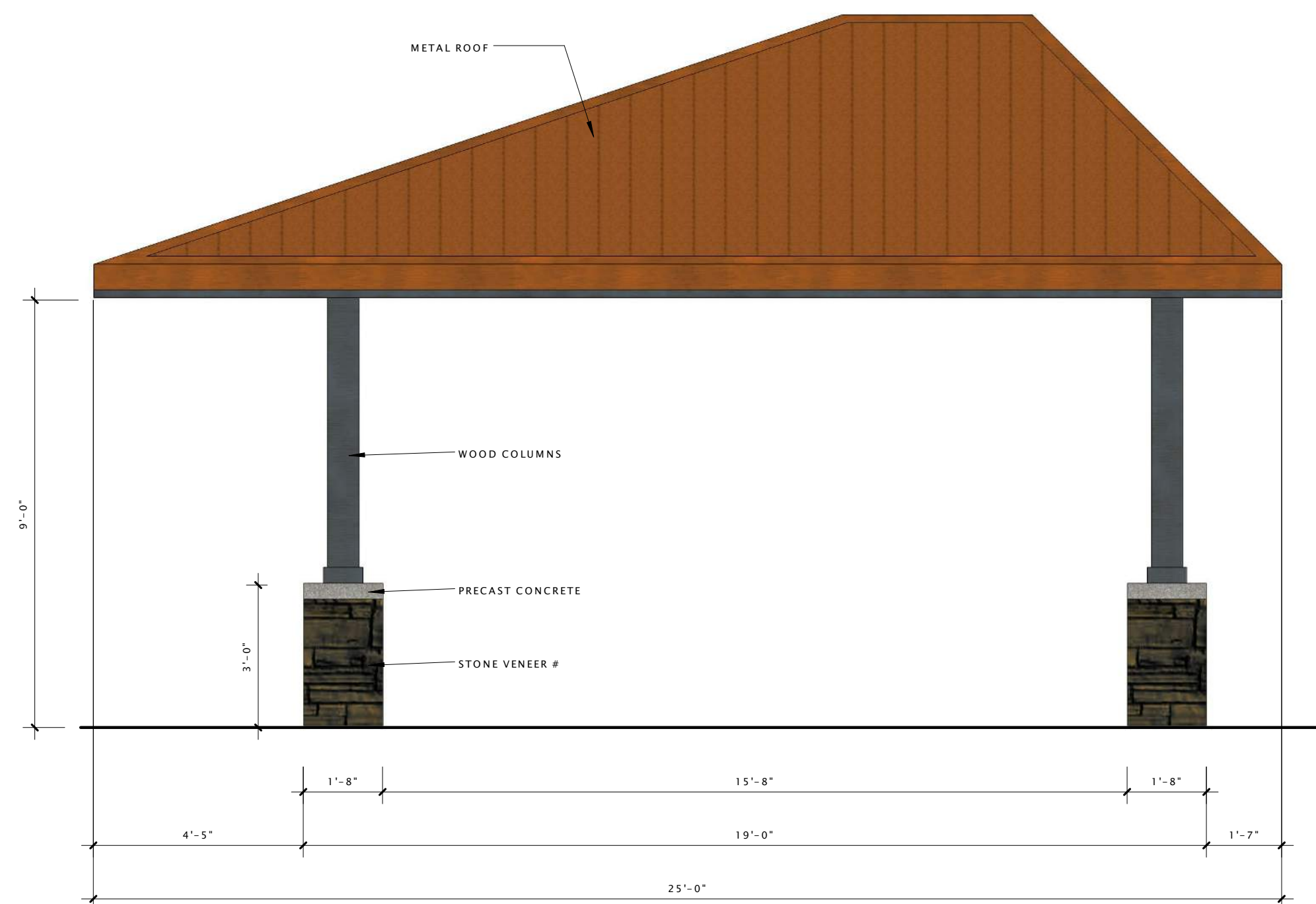
REVISION SCHEDULE		
Mark	Description	Date

SHEET TITLE

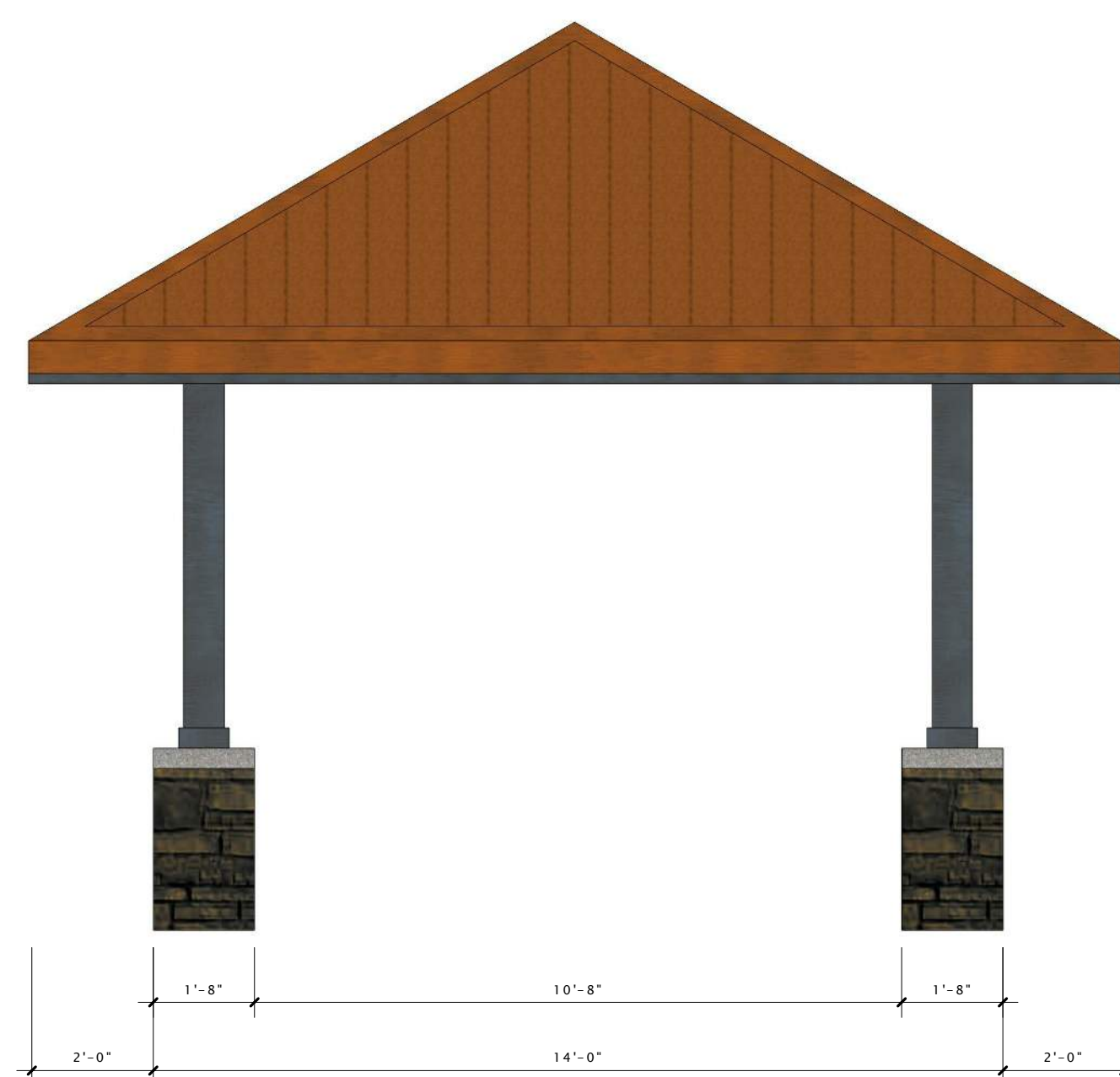
ARCHITECTURAL SITE ELEMENTS

SHEET NUMBER

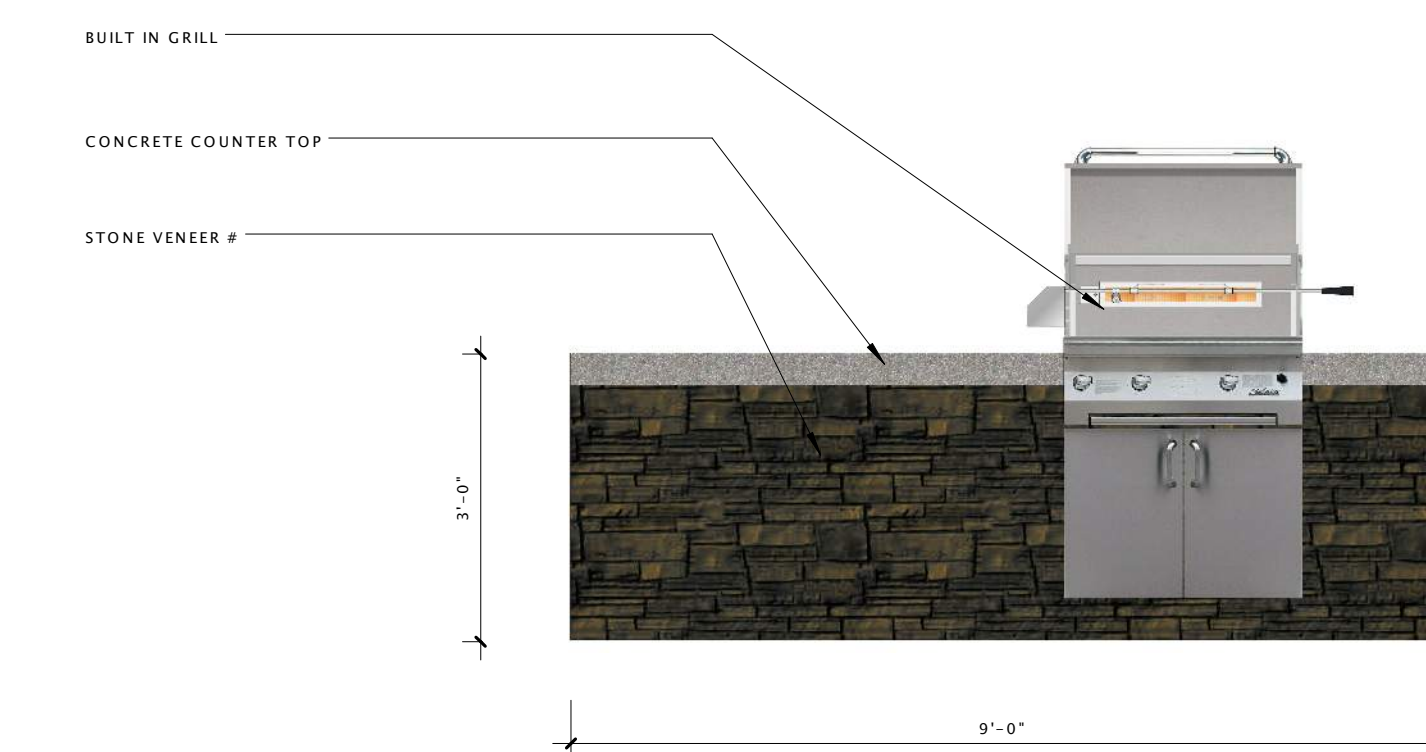
ASP101



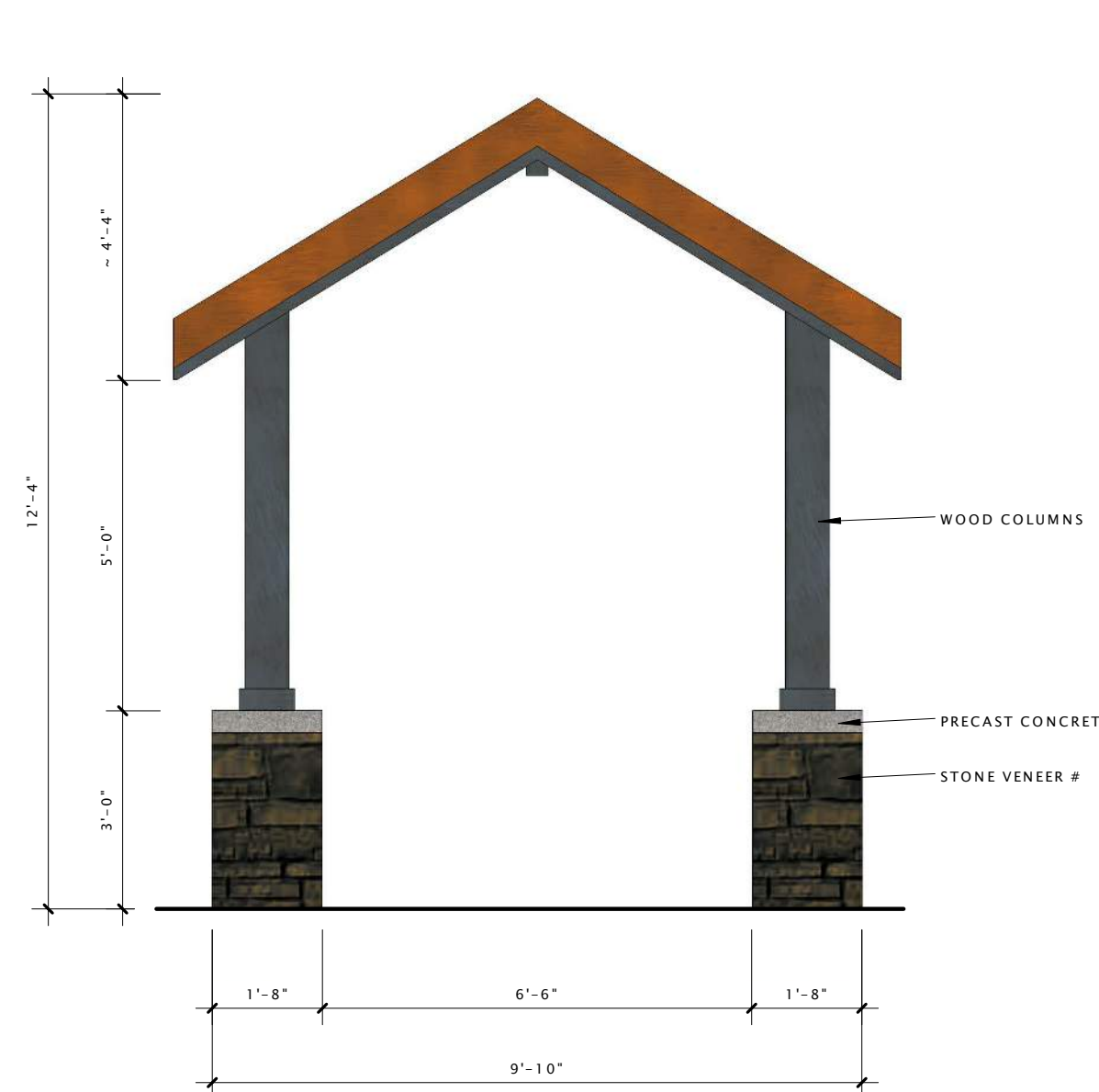
1 COMMON AREA PAVILION ELEVATION 1
3/8" = 1'-0"



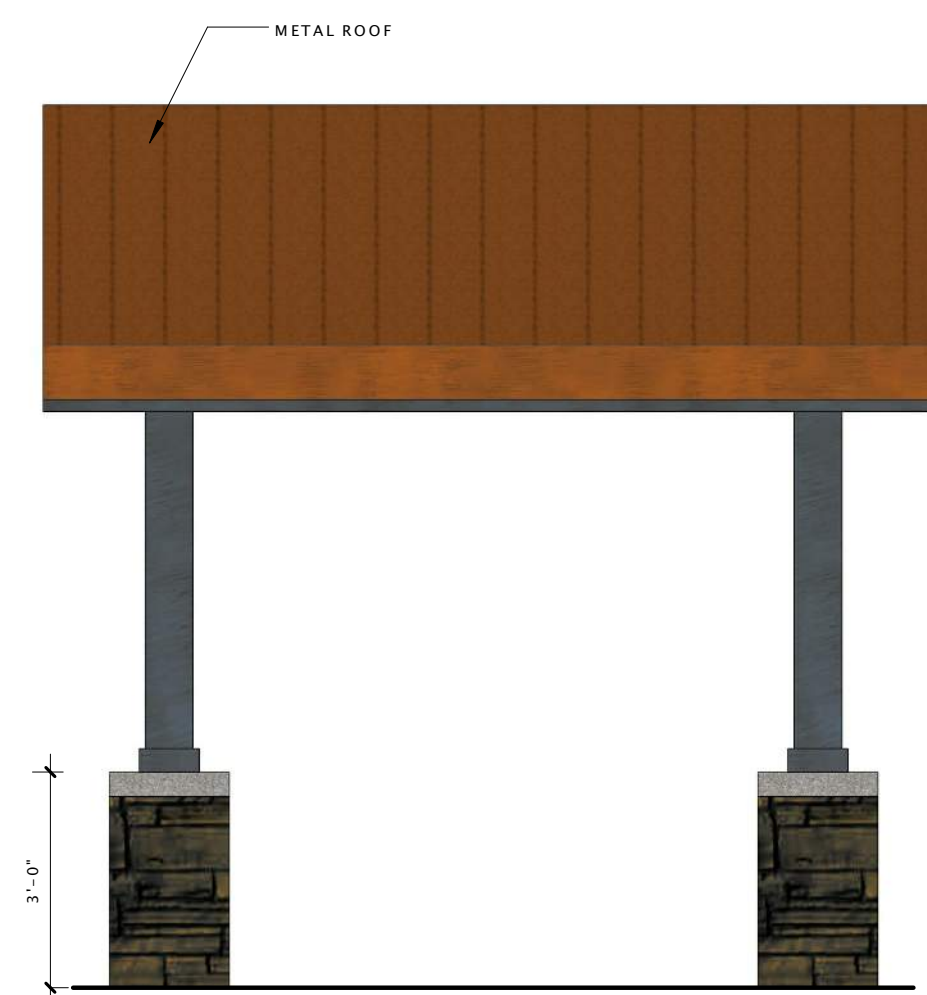
2 COMMON AREA PAVILION ELEVATION 2
3/8" = 1'-0"



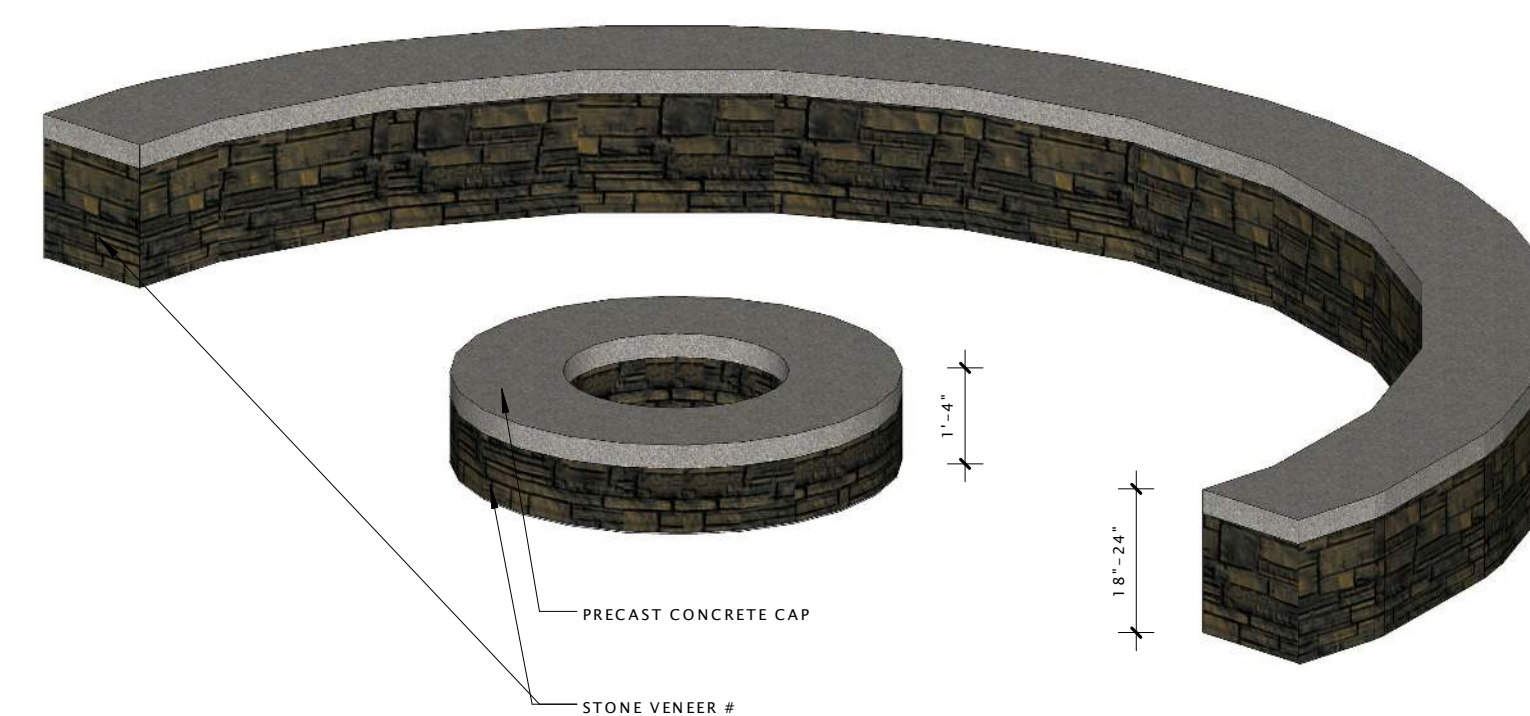
3 GRILL ISLAND ELEVATION
1/2" = 1'-0"



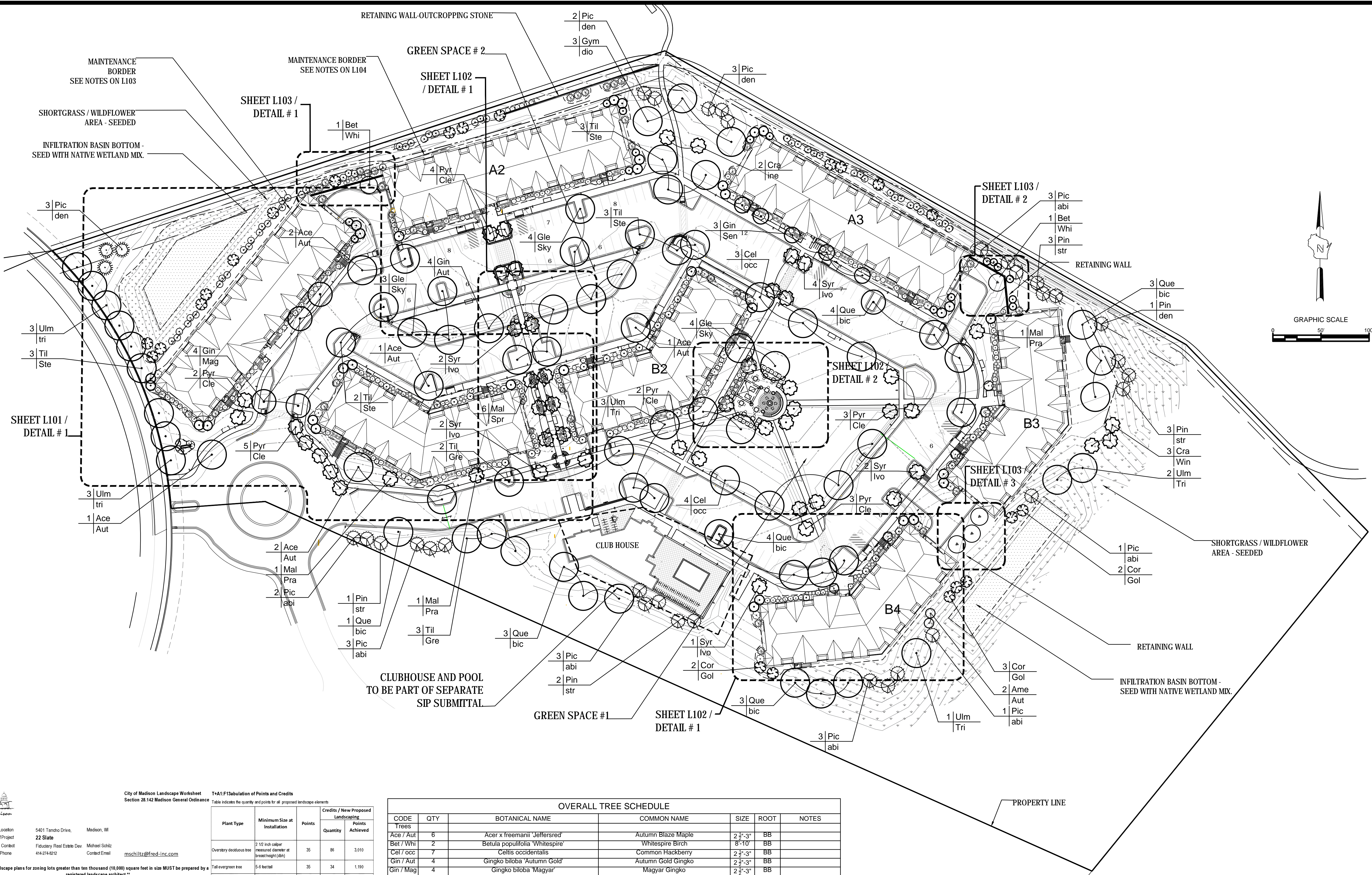
4 SITE STRUCTURE ELEVATION 1
3/8" = 1'-0"



5 SITE STRUCTURE ELEVATION 2
3/8" = 1'-0"



6 SEAT WALL & FIRE PIT
3/8" = 1'-0"



City of Madison Landscape Worksheet
Section 28.142 Madison General Ordinances
T-41-F1 Submittal of Points and Credits
Table indicates the quantity and points for all proposed landscape elements.

Plant Type	Minimum Size at Installation	Points	Credits / New Proposed	
			Quantity	Points Achieved
Overstory deciduous tree	2 1/2 inch caliper measured diameter at breast height (dbh)	35	86	3,010
Tall evergreen tree	5-6 feet tall	35	34	1,190
Ornamental tree	1 1/2 inch caliper	15	63	945
Upright evergreen shrub	3-4 feet tall	10	0	0
Shrub, deciduous	#3 gallon container size, Min. 12" tall	3	0	0
Shrub, evergreen	#3 gallon container size, Min. 12" tall	4	0	0
Ornamental grasses/perennials	#1 gallon container size, Min. 8"-10"	2	0	0
Ornamental/decorative fencing or wall	n/a	4 per 10 linear ft		
Existing significant specimen tree	Minimum size: 2 1/2 inch caliper dbh. These must be within developed area and can not comprise more than 30% of total required points.	14 per caliper inch dbh. Maximum points per tree 200	0	0
Landscape furniture for public seating and/or transit connections	Furniture must be within developed area, publicly accessible, and constructed from materials that are 5% of total required points.	5 points per "seat"		
Sub Totals			183	5,145
Total Number of Points Provided				5,145

OVERALL TREE SCHEDULE						
CODE	QTY	BOTANICAL NAME	COMMON NAME	SIZE	ROOT	NOTES
Trees						
Ace / Aut	6	Acer x freemanii 'Jeffersred'	Autumn Blaze Maple	2 1/2"-3"	BB	
Bet / Whi	2	Betula populifolia 'Whitespire'	Whitespire Birch	8"-10"	BB	
Cel / occ	7	Celtis occidentalis	Common Hackberry	2 1/2"-3"	BB	
Gin / Aut	4	Gingko biloba 'Autumn Gold'	Autumn Gold Gingko	2 1/2"-3"	BB	
Gin / Mag	4	Gingko biloba 'Magyar'	Magyar Gingko	2 1/2"-3"	BB	
Gin / Sen	3	Gingko biloba 'Princeton Sentry'	Sentry Gingko	2 1/2"-3"	BB	
Gle / Sky	11	Gleditsia triacanthos 'Shademaster'	Shademaster Honeylocust	2 1/2"-3"	BB	
Gym / dio	3	Gymnocladus dioica	Kentucky Coffeetree	2 1/2"-3"	BB	
Que / bic	18	Quercus bicolor	Swamp White Oak	2 1/2"-3"	BB	
Til / Gre	5	Tilia cordata 'Greenspire'	Greenspire Littleleaf Linden	2 1/2"-3"	BB	
Til / Ste	11	Tilia tomentosa 'Sterling'	Sterling Linden	2 1/2"-3"	BB	
Ulm / Tri	12	Ulmus 'Morton Glossy'	Triumph Elm	2 1/2"-3"	BB	
EV Trees						
Pic / abi	16	Picea abies	Norway Spruce	5'-6"	BB	
Pic / den	9	Picea glauca densata	Black Hill's Spruce	5'-6"	BB	
Pin / str	9	Pinus strobus	Eastern White Pine	5'-6"	BB	
Om. Trees						
Ame/Aut	2	Amelanchier grandiflora x Autumn Brilliance	Autumn Brilliance Serviceberry	5'-6"	BB	Multi-stem
Cor / Gol	7	Cornus mas 'Golden Glory'	Golden Glory Corneliancherry Dogwood	5'-6"	BB	Shrub form
Cra / lne	2	Crataegus crus galli 'ermis'	Thornless Cockspur Hawthorne	1 1/2"-2"	BB	Tree form
Cra/Win	3	Crataegus viridis 'Winter King'	Winter King Hawthorn	1 1/2"-2"	BB	Tree form
Mal / Pra	3	Malus x Prairifire	Prairifire Crab	1 1/2"-2"	BB	Tree form
Mal/Spr	6	Malus x Spring Snow	Spring Snow Crab	1 1/2"-2"	BB	Tree form
Pyr / Cle	19	Pyrus calleryana 'Cleveland Select'	Cleveland Select Pear	1 1/2"-2"	BB	Tree form
Syr / lvo	11	Syringa reticulata 'Ivory Silk'	Ivory Silk Japanese Tree Lilac	1 1/2"-2"	BB	Tree form

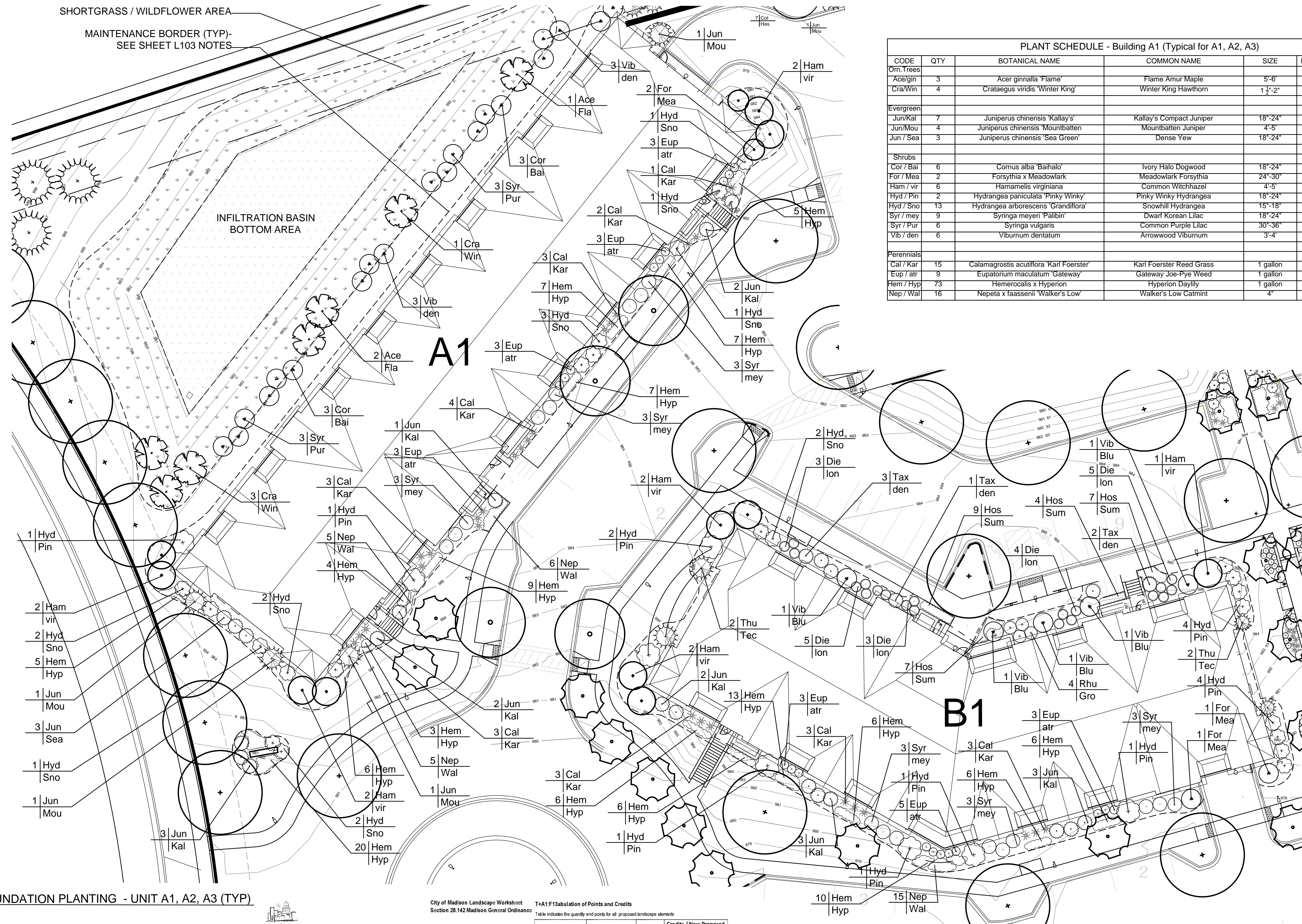


CALL DIGGERS HOTLINE
1-800-242-8511
TOLL FREE

WE STATE: 102.01(1)(14)
REQUIRES 48 HOURS NOTICE BEFORE YOU EXCAVATE
MILW. AREA 259-1181

THE UNDERGROUND UTILITY INFORMATION SHOWN ON THIS MAP IS BASED ON FIELD MARKINGS AND INFORMATION FURNISHED BY UTILITY COMPANIES AND THE LOCAL MUNICIPALITY. WHILE THIS INFORMATION IS BELIEVED TO BE RELIABLE, ITS ACCURACY AND COMPLETENESS CANNOT BE GUARANTEED.

* As determined by ANSI, AIAA - American standards for nursery stock. For each size, minimum plant size shall conform to the specifications as stated in the current American Standard for Nursery Stock.



PLANT SCHEDULE - Building A1 (Typical for A1, A2, A3)

CODE	QTY	BOTANICAL NAME	COMMON NAME	SIZE	ROOT	NOTES
Orn. Trees						
Ace/gin	3	Acer ginnala 'Flame'	Flame Amur Maple	5'-6'	BB	Shrub form
Cra/Win	4	Crataegus viridis 'Winter King'	Winter King Hawthorn	1 1/2'-2'	BB	Tree form
Evergreen						
Jun/Kal	7	Juniperus chinensis 'Kallay's'	Kallay's Compact Juniper	18"-24"	Cont.	
Jun/Mou	4	Juniperus chinensis 'Mountbatten'	Mountbatten Juniper	4'-5'	BB	
Jun / Sea	3	Juniperus chinensis 'Sea Green'	Dense Yew	18"-24"	Cont.	
Shrubs						
Cor / Bai	6	Cornus alba 'Baihalo'	Ivory Halo Dogwood	18"-24"	Cont.	
For / Mea	2	Forsythia x Meadowlark	Meadowlark Forsythia	24"-30"	Cont.	
Ham / vir	6	Hamamelis virginiana	Common Witchhazel	4'-5'	Cont.	
Hyd / Pin	2	Hydrangea paniculata 'Pinky Winky'	Pinky Winky Hydrangea	18"-24"	Cont.	
Hyd / Sno	13	Hydrangea arborescens 'Grandiflora'	Snowhill Hydrangea	15"-18"	Cont.	
Syr / mey	9	Syringa meyeri 'Palibin'	Dwarf Korean Lilac	18"-24"	Cont.	
Syr / Pur	6	Syringa vulgaris	Common Purple Lilac	30"-36"	Cont.	
Vib / den	6	Viburnum dentatum	Arrowwood Viburnum	3'-4'	BB	
Perennials						
Cal / Kar	15	Calamagrostis acutiflora 'Karl Foerster'	Karl Foerster Reed Grass	1 gallon	Cont.	
Eup / atr	9	Eupatorium maculatum 'Gateway'	Gateway Joe-Pye Weed	1 gallon	Cont.	
Hem / Hyp	73	Hemerocallis x Hyperion	Hyperion Daylily	1 gallon	Cont.	
Nep / Wal	16	Nepeta x faassenii 'Walker's Low'	Walker's Low Catmint	4"	Cont.	

PLANT SCHEDULE - Building B1 (Typical for B1 & B2)

CODE	QTY	BOTANICAL NAME	COMMON NAME	SIZE	ROOT	NOTES
Evergreen						
Jun/Kal	8	Juniperus chinensis 'Kallay's'	Kallay's Compact Juniper	18"-24"	Cont.	
Tax / den	6	Taxus densiformis	Dense Yew	15"-18"	Cont.	
Thu / Tec	4	Thuja occidentalis 'Techny'	Techny Arborvitae	4'-5"	BB	
Shrubs						
Die / Ion	20	Diervilla lonicera 'Jewell'	Jewell Bush Honeysuckle		Cont.	
For / Mea	2	Forsythia x Meadowlark	Meadowlark Forsythia	24"-30"	Cont.	
Ham / vir	5	Hamamelis virginiana	Common Witchhazel	4'-5"	Cont.	
Hyd / Pin	10	Hydrangea paniculata 'Pinky Winky'	Pinky Winky Hydrangea	18"-24"	Cont.	
Hyd / Sno	2	Hydrangea arborescens 'Grandiflora'	Snowhill Hydrangea	15"-18"	Cont.	
Rhu / Gro	4	Rhus aromatica 'Gro Low'	Gro Low Sumac	15"-18"	Cont.	
Syr / mey	9	Syringa meyeri 'Palibin'	Meyer Lilac	30"-36"	Cont.	
Vib / Blu	5	Viburnum dentatum 'Christom'	Blue Muffin Arrowwood Viburnum	30"-42"	Cont.	
Perennials						
Cal / Kar	9	Calamagrostis acutiflora 'Karl Foerster'	Karl Foerster Reed Grass	1 gallon	Cont.	
Eup / atr	11	Eupatorium maculatum 'Gateway'	Gateway Joe-Pye Weed	1 gallon	Cont.	
Hem / Hyp	53	Hemerocallis x Hyperion	Hyperion Daylily	1 gallon	Cont.	
Hos / Sum	27	Hosta x Sum & Substance	Sum & Substance Hosta	1 gallon	Cont.	
Nep / Wal	20	Nepeta x faassenii 'Walker's Low'	Walker's Low Catmint	1 gallon	Cont.	

1 FOUNDATION PLANTING - UNIT A1, A2, A3 (TYP) PLAN

2 FOUNDATION PLANTING - UNIT B1, B2 (TYP) SCALE 1" = 20'-0"

City of Madison Landscape Worksheet Section 28.142 Madison General Ordinance

T+A1-F13abulation of Points and Credits Table indicates the quantity and points for all proposed landscape elements

Plant Type	Minimum Size at Installation	Points	Credits / New Proposed Landscaping	
			Quantity	Points Achieved
Overstory deciduous tree	2 1/2 inch caliper (measured diameter at breast height (dbh))	35	0	0
Tall evergreen tree	5-6 feet tall	35	0	0
Ornamental tree	1 1/2 inch caliper	15	7	0
Upright evergreen shrub	3-4 feet tall	10	28	280
Shrub, deciduous	#3 gallon container size, Min. 12" dia	3	371	1113
Shrub, evergreen	#3 gallon container size, Min. 12" dia	4	82	328
Ornamental grasses/perennials	#1 gallon container size, Min. 8" dia	2	812	1,624
Ornamental / decorative landscaping or wall	n/a	4 per 10 lineal ft		
Existing significant specimen tree	Minimum size 2 1/2 inch caliper dbh. Trees must be within developed area and can not comprise more than 30% of total required points.		14 per caliper inch dbh. Maximum points per tree 200	0
Landscape furniture for public loading and/or transit connections	*Furniture must be within developed area, publicly accessible, and cannot comprise more than 10% of total required points.		5 points per "seat"	
Sub Totals			1300	3,345
			Total Number of Points Provided	3,345

**** Landscape plans for zoning lots greater than ten thousand (10,000) square feet in size MUST be prepared by a registered landscape architect. ****

Applicability
The following standards apply to all exterior construction and development activity, including the expansion of existing buildings, structures and parking lots, except the construction of detached single-family and two-family dwellings and their accessory structures. The entire development site must be brought up to compliance with this section unless all of the following conditions apply, in which case only the affected areas need to be brought up to compliance:

(a) The area of site disturbance is less than ten percent (10%) of the entire development site during any ten-(10) year period.
(b) Gross floor area is only increased by ten percent (10%) during any ten-(10) year period.
(c) No demolition of a principal building is involved.
(d) Any displaced landscaping elements must be replaced on the site and shown on a revised landscaping plan.

Landscape Calculations and Distribution
Required landscaped areas shall be calculated based upon the total developed area of the property. Developed area is defined as that area within a single contiguous boundary which is made up of structures, parking, driveways and docking / loading facilities, but excluding the area of any building footprint at grade, land designated for open space use such as athletic fields, and undeveloped land area on the same zoning lot. Methods for calculating landscape points depend on the size of the lot and Zoning District.

For lots larger than five (5) acres, points shall be provided at five (5) points per three hundred (300) square feet for the first five (5) developed acres, and (1) point per one hundred (100) square feet for all additional acres.

Total square footage of developed area: 355,064 s.f.
Five (5) acres = 217,800 s.f.
First five (5) acres = 3,630 points
Remainder of developed area: 137,264 s.f.
Remainder of points: 1372 points
Total landscape points required: 5,003 points

CALL DIGGERS HOTLINE
1-800-242-8511
TOLL FREE

WE STATUTE 182.07(1)(F)(4)
REQUIRES MIN. 3 WORK DAYS
NOTICE BEFORE YOU EXCAVATE

MILW. AREA 259-1181

THE UNDERGROUND UTILITY INFORMATION SHOWN ON THIS MAP IS BASED ON FIELD MARKINGS AND INFORMATION FURNISHED BY UTILITY COMPANIES AND THE LOCAL MUNICIPALITY. WHILE THIS INFORMATION IS BELIEVED TO BE RELIABLE, ITS ACCURACY AND COMPLETENESS CANNOT BE GUARANTEED.



JLA PROJECT NUMBER: 15-0617



THE SIGMA GROUP
Single Source. Sound Solutions.
www.thesigmagroup.com
1300 West Canal Street
Milwaukee, WI 53233
Phone: 414-643-4200
Fax: 414-643-4210



UDC Submittal

22 SLATE APARTMENTS
5401 TANCHO DRIVE
MADISON, WI

PROGRESS DOCUMENTS
These documents reflect progress and intent and may be subject to change, including additional detail. These are not final construction documents and should not be used for final bidding or construction-related purposes.

DATE OF ISSUANCE APRIL 27, 2016

REVISION SCHEDULE

Mark	Description	Date

SHEET TITLE

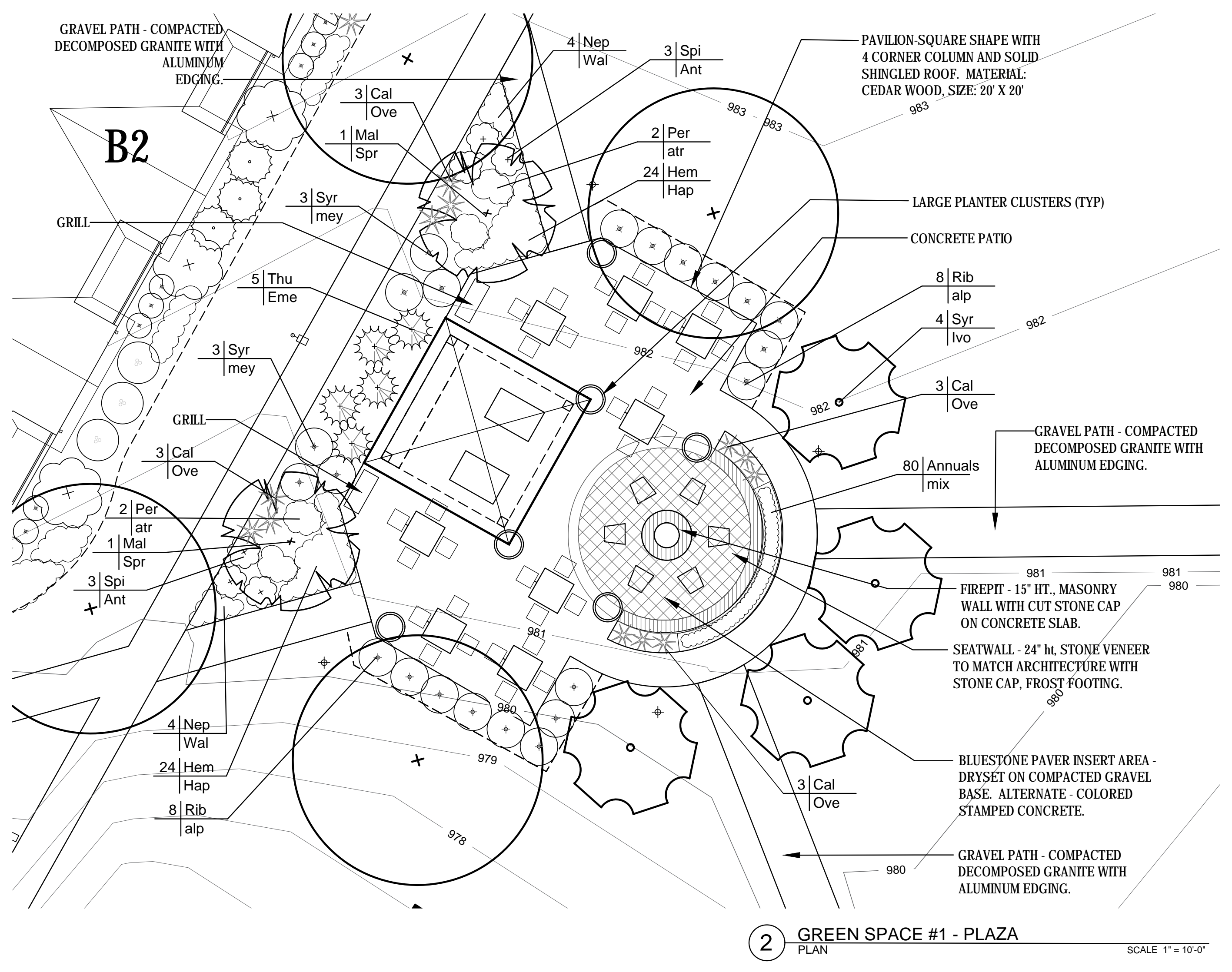
LANDSCAPE PLANS
TYPICAL BUILDING

SHEET NUMBER

L 101

PLANT SCHEDULE - DETAIL # 1

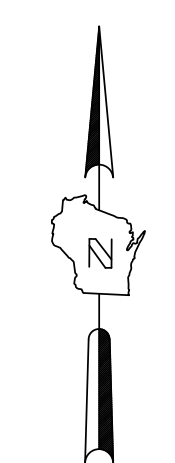
CODE	QTY	BOTANICAL NAME	COMMON NAME	SIZE	ROOT	NOTES
Evergreen						
Jun/Kal	4	Juniperus chinensis 'Kallay's'	Kallay's Compact Juniper	18"-24"	Cont.	
Pic / Nid	8	Picea abies 'Nidiformis'	Nest Spruce	18"-24"	Cont.	
Shrubs						
Spr / Ant	8	Spirea bumalda 'Anthony Waterer'	Anthony Waterer Spirea	15"-18"	Cont.	
Spr / Tor	12	Spirea betulifolia 'Tor'	Tor Birchleaf Spirea	15"-18"	Cont.	
Perennials						
Cal / Kar	18	Calamagrostis acutiflora 'Karl Foerster'	Karl Foerster Reed Grass	1 gallon	Cont.	
Hem / Hyp	34	Hemerocallis x Hyperion	Hyperion Daylily	1 gallon	Cont.	
Lon / Hec	4	Lonicera x Heckrottii	Goldflame Honeysuckle	1 gallon	Cont.	
Nep / Wal	92	Nepeta x faassenii 'Walker's Low'	Walker's Low Catmint	1 gallon	Cont.	
Pan / Hea	6	Panicum virgatum 'Heavy Metal'	Heavy Metal Switch Grass	1 gallon	Cont.	
Per / mix	80	Perennials-mix	Variety mix	1 gallon	Cont.	
Sch / sco	14	Schizachyrium scorpiarium	Little Bluestem	1 gallon	Cont.	



2 GREEN SPACE #1 - PLAZA
PLAN SCALE 1" = 10'-0"

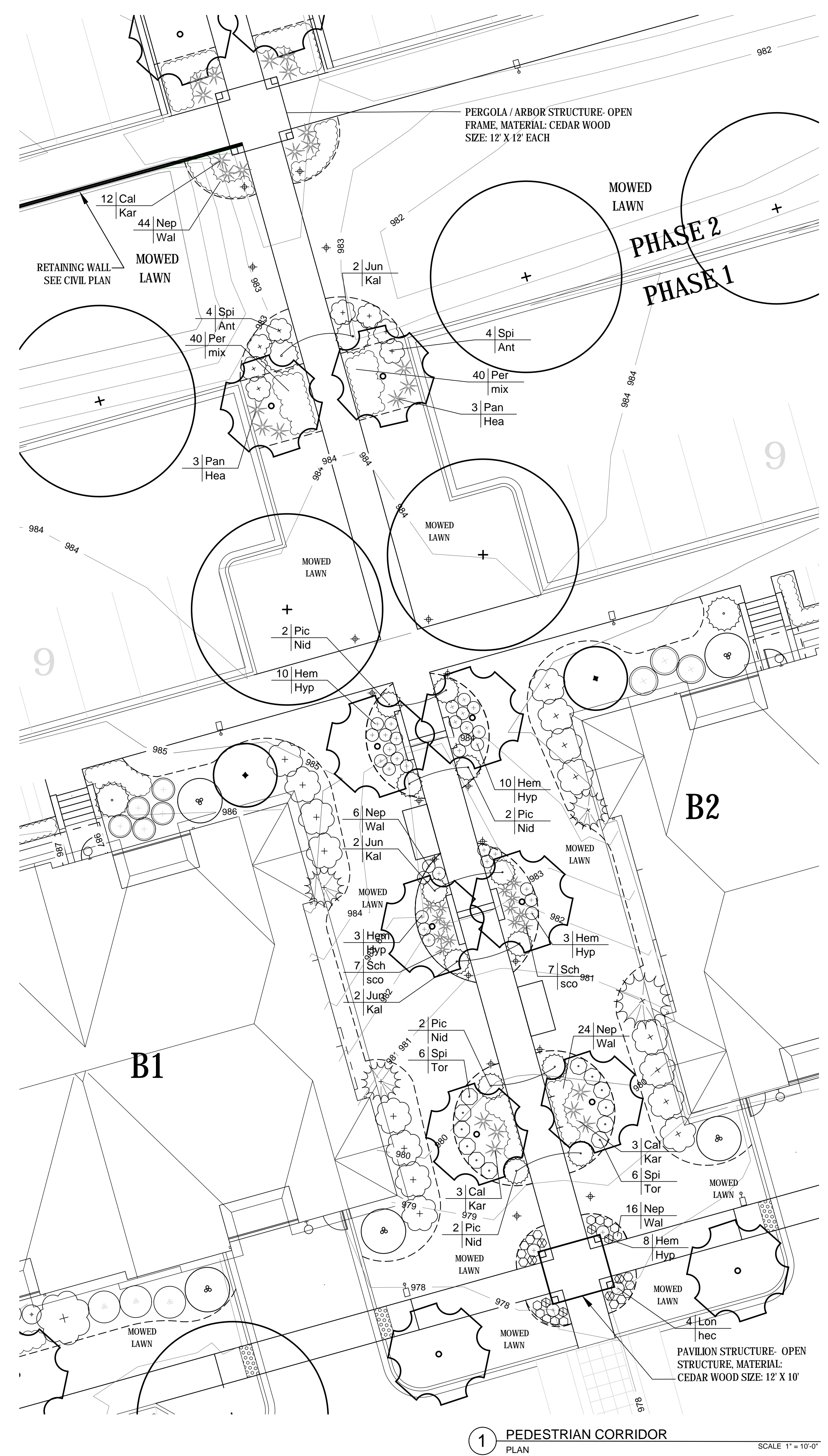
PLANT SCHEDULE - DETAIL # 2

CODE	QTY	BOTANICAL NAME	COMMON NAME	SIZE	ROOT	NOTES
Orn Tree						
Mal / Spr	2	Malus x Spring Snow	Spring Snow Crab	1 1/2"-2"	BB	
Syr / lvo	4	Syringa reiculata 'Ivory Silk'	Ivory Silk Japanese Tree Lilac	1 1/2"-2"	BB	
Evergreen						
Thu / Eme	5	Thuja occidentalis 'Smaragd'	Emerald Green Arborvitae			
Shrubs						
Rib / alp	16	Ribes alpinum	Alpine Currant	15"-18"	Cont.	
Spr / Ant	6	Spirea bumalda 'Anthony Waterer'	Anthony Waterer Spirea	15"-18"	Cont.	
Syr / mey	6	Syringa meyeri 'Palibin'	Dwarf Korean Lilac			
Perennials						
Cal / Ove	12	Calamagrostis acutiflora 'Overdam'	Overdam Reed Grass	1 gallon	Cont.	
Hem / Hap	48	Hemerocallis x Hyperion	Hyperion Daylily	1 gallon	Cont.	
Nep / Wal	8	Nepeta x faassenii 'Walker's Low'	Walker's Low Catmint	1 gallon	Cont.	
Per / atr	4	Perovskia atriplicifolia	Russian Sage			
Annuals						
	80	Annuals - mixed	Variety mix			



CALL DIGGERS HOTLINE
1-800-242-8511
TOLL FREE
WE STATUTE 182.07(197A)
REQUIRES MIN. 3 WORK DAYS
NOTICE BEFORE YOU EXCAVATE
MILW. AREA 259-1181

THE UNDERGROUND UTILITY INFORMATION SHOWN ON THIS MAP IS BASED ON FIELD MARKINGS AND INFORMATION FURNISHED BY UTILITY COMPANIES AND THE LOCAL MUNICIPALITY. WHILE THIS INFORMATION IS BELIEVED TO BE RELIABLE, ITS ACCURACY AND COMPLETENESS CANNOT BE GUARANTEED.



1 PEDESTRIAN CORRIDOR
PLAN SCALE 1" = 10'-0"

UDC Submittal

22 SLATE
APARTMENTS
5401 TANCHE DRIVE
MADISON, WI

PROGRESS DOCUMENTS

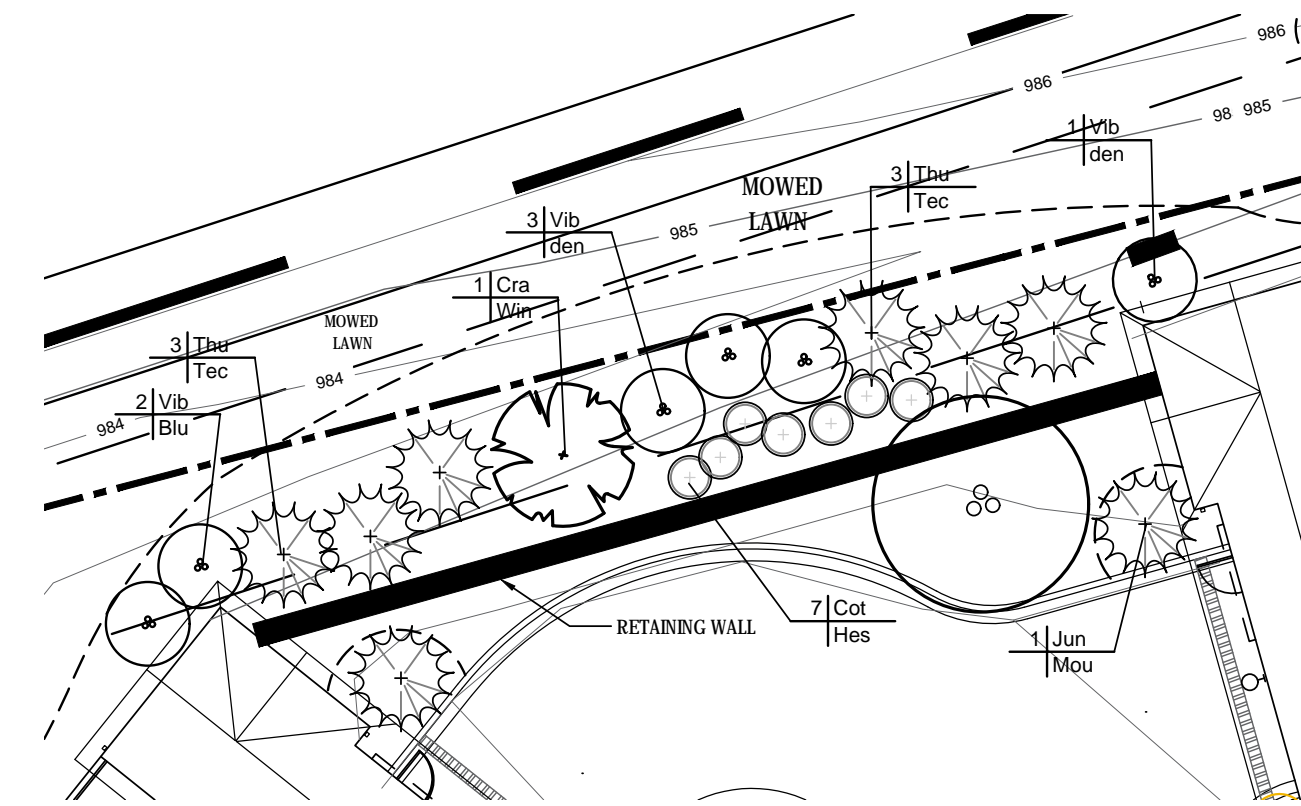
These documents reflect progress and intent and may be subject to change, including additional detail. These are not final construction documents and should not be used for final bidding or construction-related purposes.

DATE OF ISSUANCE **APRIL 27, 2016**

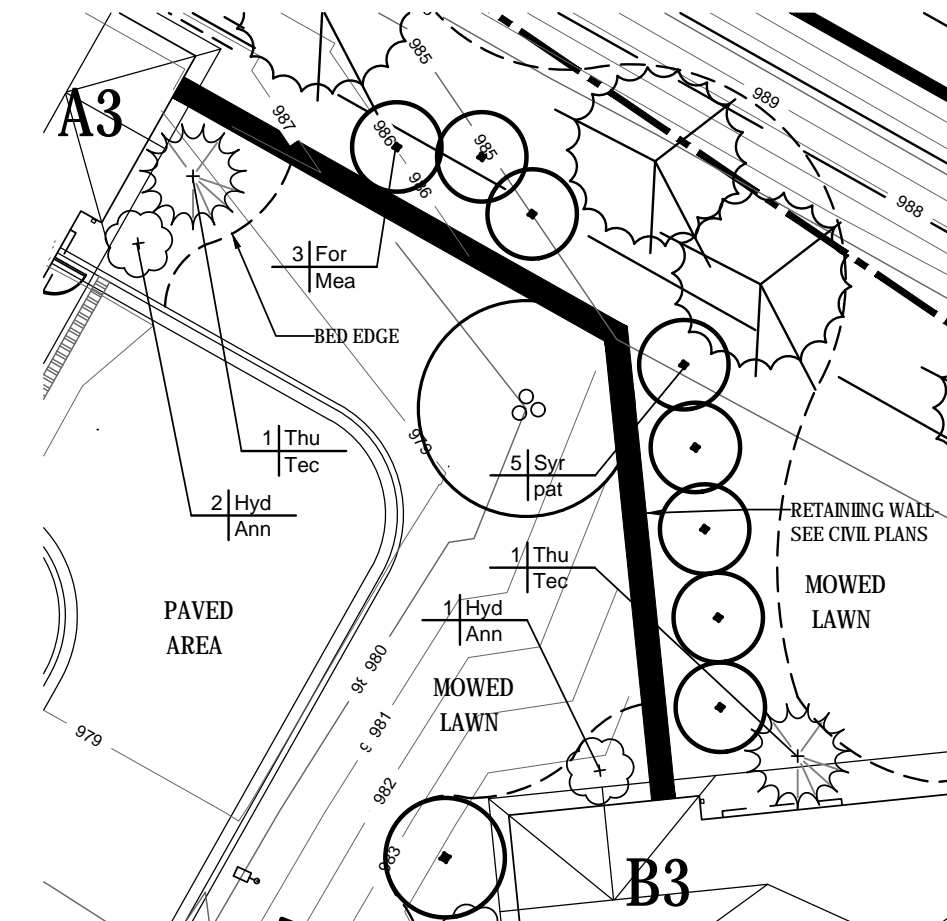
REVISION SCHEDULE		
Mark	Description	Date

SHEET TITLE
NOTES & DETAILS

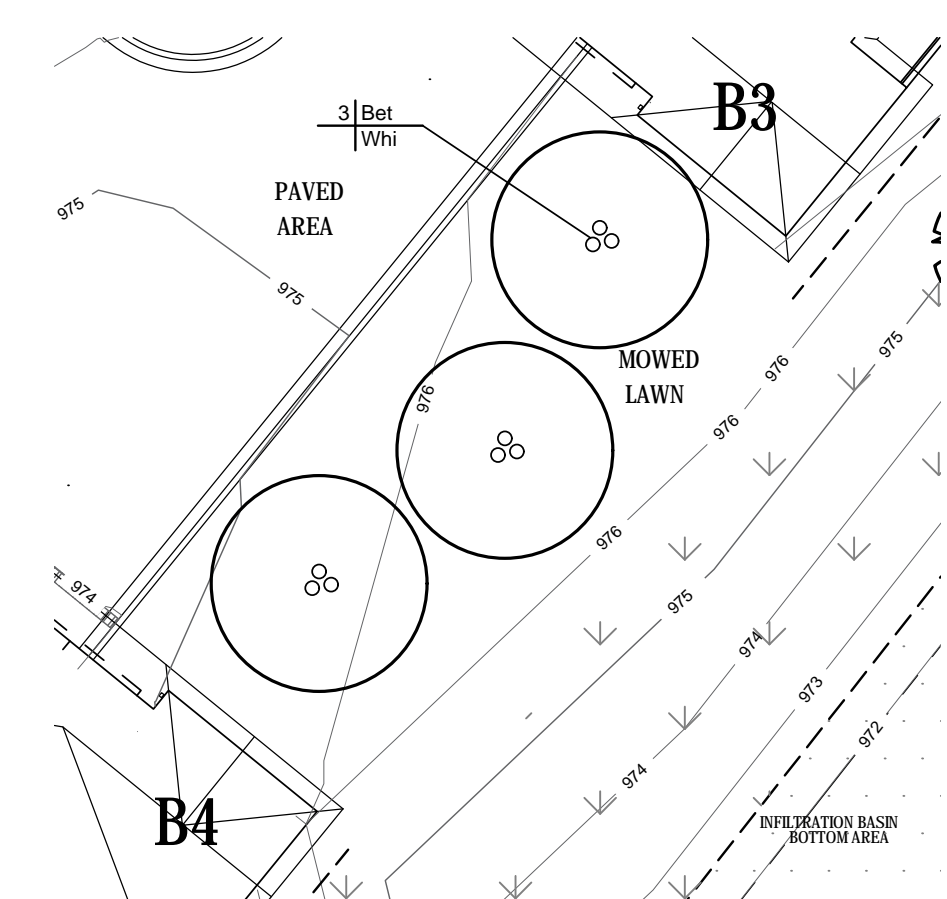
SHEET NUMBER
L 103



1 AREA BETWEEN BLDG A1 & A2
PLAN SCALE 1" = 16'-0"



2 AREA BETWEEN BLDG. A3 & B3
PLAN SCALE 1" = 16'-0"



3 AREA BETWEEN BLDG B4 & B3
PLAN SCALE 1" = 16'-0"

PLANT SCHEDULE - DETAIL # 1						
CODE	QTY	BOTANICAL NAME	COMMON NAME	SIZE	ROOT	NOTES
Evergreen						
Jun/Mou	1	Juniperus chinensis 'Moundbatten'	Moundbatten Juniper	4'-6"	BB	
Thu / Tec	6	Thuja occidentalis 'Techny'	Techny arborvitae	18"-24"	Cont.	
Trees						
Cra / Win	1	Crataegus crusgalli 'Winter King'	Winter King Hawthorne	1 1/2' - 2' cal	BB	
Shrubs						
Cot / Hes	7	Cotoneaster 'Hesse'	Hester Cotoneaster	15'-18"	Cont.	
Vib / Blu	2	Viburnum dentatum 'Blue Muffin'	Blue Muffin Viburnum	15'-18"	Cont.	
Vib / Den	4	Viburnum dentatum	Arrowwood Viburnum	3'-4"	Cont.	

PLANT SCHEDULE - DETAIL # 2						
CODE	QTY	BOTANICAL NAME	COMMON NAME	SIZE	ROOT	NOTES
Evergreen						
Thu/Tec	2	Thuja occidentalis 'Techny'	Techny Arborvitae	18"-24"	Cont.	
Shrubs						
For / Mea	3	Forsythia x Meadowlark	Meadowlark Forsythia	30"-36"	Cont.	
Hyd / Ann	2	Hydrangea arborescens 'Annabelle'	Annabelle Hydrangea	15'-18"	Cont.	
Syr / pat	5	Syringa patula	Miss Kim Lilac	24"-30"	Cont.	

PLANT SCHEDULE - DETAIL # 3						
CODE	QTY	BOTANICAL NAME	COMMON NAME	SIZE	ROOT	NOTES
Trees						
Bet / Whi	3	Betula populifolia 'Whitespire'	Whitespire Birch	8'-10'	BB	

LANDSCAPE INSTALLATION NOTES

- The Landscaping Contractor shall verify location of all underground utilities and additional information prior to installation of all landscaping. Call Digger's Hotline.
- Rough grading and drainage shall be completed prior to Landscape Contractor's commencing work. Verify all existing site and grading conditions prior to construction.
- All landscape work shall be in conformance with all applicable local codes & ordinances.
- All areas disturbed by grading or site construction shall be fine graded, planted or seeded.
- Contractor shall verify plant quantities shown on plan and provide a list to the Architect identifying the species and sized to be used throughout the project. The Landscape Architect reserves the right to reject any sub-standard planting material. Such rejected material shall be removed from the project site immediately.
- All planting beds shall receive a blended topsoil mix to a depth of 6" and turf areas a depth of 3". Contractor shall provide positive drainage away from all buildings for a minimum of 10'. Remove excessive clay, gravel & stones which would be detrimental to healthy plant growth. Roto-til new topsoil into existing soil.
- All perennial and groundcover areas shall receive a blend of organic soil amendments prior to planting. Roto-til the amendments into the new topsoil to a depth of 6". Avoid damage to existing tree roots where applicable by lightly working amendments into soil with pitch fork.

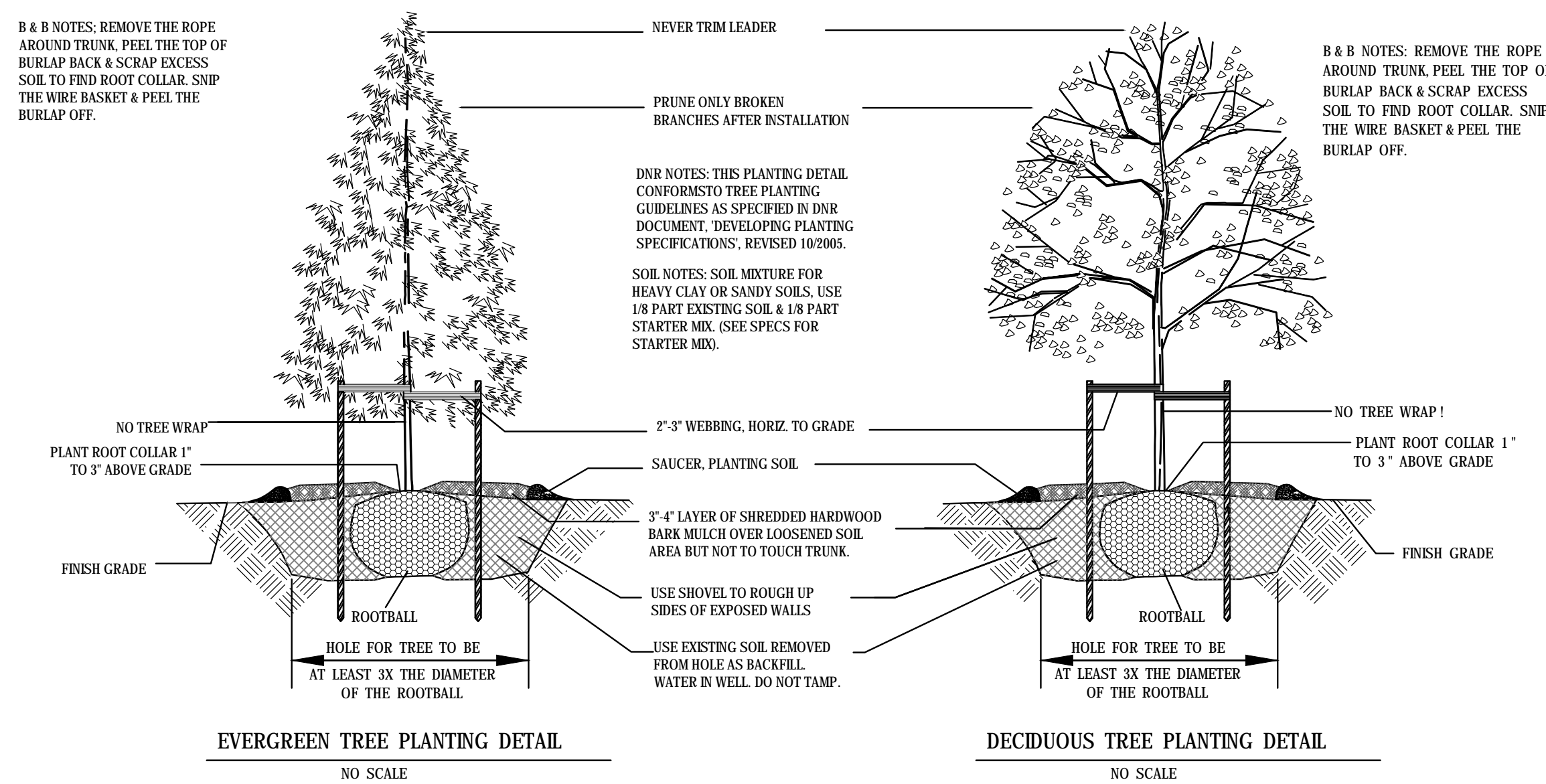
Add to beds:
 2 inch cover of plant starter soil mix
 1/2 lb. of 5-10-5 garden fertilizer (Ozmocone or Milorganite)
- All perennial and groundcover areas shall receive a 1-2" layer of finely shredded bark mulch. Do not allow mulch to touch stems or leaves of perennials! All woody planting areas shall receive a 3" layer. Unless otherwise noted, no landscape fabric or weed barrier is to be installed.
- Unless otherwise shown, all perennials & shrubs shall be planted in a triangular arrangement. For plants not shown individually, refer to the spacing shown in the plant schedule.
- All areas indicated as Maintenance border beds shall be covered with a 2.5" cover of Mississippi aggregate (Source: Kalka Stone) over landscape fabric underlayment and aluminum edging. Color of Spardust to be approved by owner.
- All planting and maintenance beds shall be edged with aluminum edging - Permaloc Clean Line. Size: 1/8" x 4" x 16', Finish: mill or approved equal.

SEED MIXES (See plans for locations)

- SEEDED MOWED TURF:**
"Delux 50 Lawn Seed Mix"
Available from Rheinders (800) 785-3301
Shall be installed & maintained per supplier's specifications.
- | | |
|-----------------------------------|-------------------------------|
| 20% Kentucky Bluegrass | 25% Creeping Red Fescue |
| 15% Bluebonnet Kentucky Bluegrass | 15% Quebec Perennial Ryegrass |
| 15% Kenblue Kentucky Bluegrass | 10% Wicked Perennial Ryegrass |

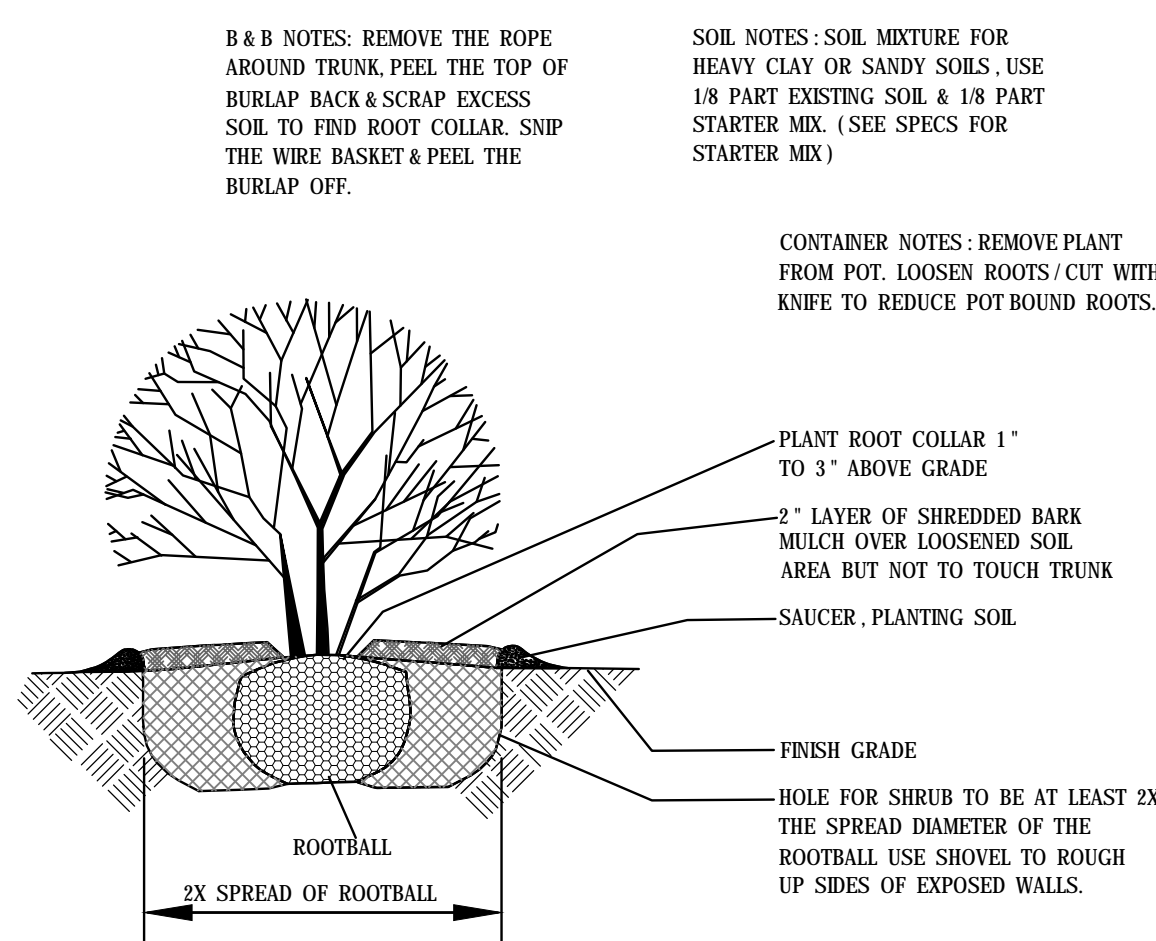
SHORT GRASS / WILDFLOWER AREA / DETENTION BASINS
"Short Prairie Wildflower & Grass Mix"
Available from Reinders - Sussex, WI
Phone 1-800-785-3301 / Or approved equal.
To be installed & maintained per supplier's specifications.

NATIVE WETLAND MIX - INFILTRATION BOTTOM
"Native Wetland Mix"
Available from Reinders - Sussex, WI
Phone 1-800-785-3301 / Or approved equal.
To be installed & maintained per supplier's specifications.



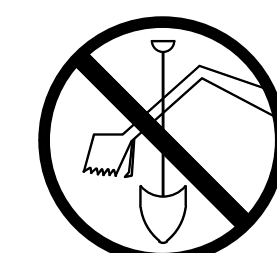
EVERGREEN TREE PLANTING DETAIL
NO SCALE

DECIDUOUS TREE PLANTING DETAIL
NO SCALE



SHRUB PLANTING DETAIL
NO SCALE

TO OBTAIN LOCATIONS OF PARTISANS UNDERGROUND FACILITIES BEFORE YOU DIG IN WISCONSIN



CALL DIGGERS HOTLINE
1-800-242-8511
TOLL FREE

WI STATUTE 183.07(1)(PM) REQUIRES YOU 3 WORK DAYS NOTICE BEFORE YOU EXCAVATE
MILW. AREA 259-1181

THE UNDERGROUND UTILITY INFORMATION SHOWN ON THIS MAP IS BASED ON FIELD MARKINGS AND INFORMATION FURNISHED BY UTILITY COMPANIES AND THE LOCAL MUNICIPALITY. WHILE THIS INFORMATION IS BELIEVED TO BE RELIABLE, ITS ACCURACY AND COMPLETENESS CANNOT BE GUARANTEED.





6 A1 & A3 - FRONT ELEVATION
3/32" = 1'-0"



11 A1 & A3 - END ELEVATION
3/32" = 1'-0"

UDC Submittal

22-SLATE APARTMENTS

PROGRESS DOCUMENTS

These documents reflect progress and intent and may be subject to change, including additional detail. These are not final construction documents and should not be used for final bidding or construction-related purposes.

DATE OF ISSUANCE APRIL 27, 2016

REVISION SCHEDULE		
Mark	Description	Date

SHEET TITLE

EXTERIOR ELEVATIONS - BUILDINGS A1 & A3

SHEET NUMBER

A200-A1.A3



⑥ A1 & A3 - REAR ELEVATION
3/32" = 1'-0"



① A1 & A3 - END ELEVATION (W/ GARAGE)
3/32" = 1'-0"

UDC Submittal

22-SLATE APARTMENTS

PROGRESS DOCUMENTS

These documents reflect progress and intent and may be subject to change, including additional detail. These are not final construction documents and should not be used for final bidding or construction-related purposes.

DATE OF ISSUANCE APRIL 27, 2016

REVISION SCHEDULE		
Mark	Description	Date

SHEET TITLE

EXTERIOR ELEVATIONS - BUILDINGS A1 & A3

SHEET NUMBER

A201-A1.A3

UDC Submittal

22-SLATE APARTMENTS

PROGRESS DOCUMENTS

These documents reflect progress and intent and may be subject to change, including additional detail. These are not final construction documents and should not be used for final bidding or construction-related purposes.

DATE OF ISSUANCE APRIL 27, 2016

REVISION SCHEDULE		
Mark	Description	Date

SHEET TITLE

EXTERIOR ELEVATIONS - BUILDING A2

SHEET NUMBER

A200-A2.



6 A2- FRONT ELEVATION
3/32" = 1'-0"



11 A2- END ELEVATION
3/32" = 1'-0"



6 A2 - REAR ELEVATION
3/32" = 1'-0"

UDC Submittal

22 - SLATE APARTMENTS

PROGRESS DOCUMENTS
These documents reflect progress and intent and may be subject to change, including additional detail. These are not final construction documents and should not be used for final bidding or construction-related purposes.



11 A2 - END ELEVATION (W/ GARAGE)
3/32" = 1'-0"

DATE OF ISSUANCE APRIL 27, 2016

REVISION SCHEDULE		
Mark	Description	Date

SHEET TITLE
EXTERIOR ELEVATIONS - BUILDING A2

SHEET NUMBER
A201 - A2.



6 B1 & B2- FRONT ELEVATION #1
3/32" = 1'-0"



11 B1 & B2- FRONT ELEVATION #2
3/32" = 1'-0"



16 B1 & B2- END ELEVATION #1
3/32" = 1'-0"

UDC Submittal

22-SLATE
APARTMENTS

PROGRESS DOCUMENTS

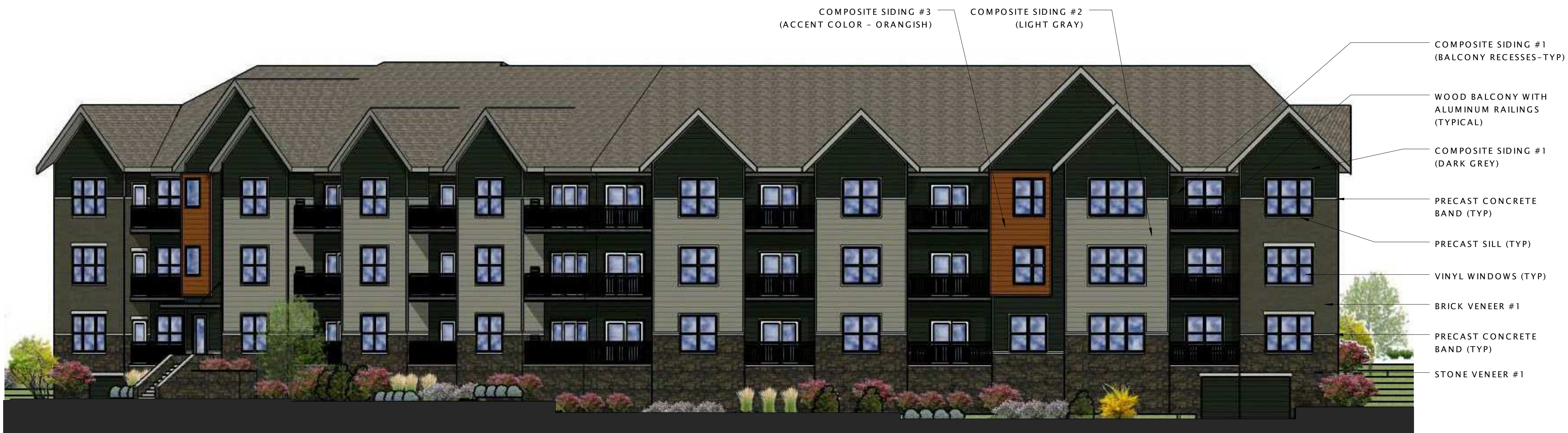
These documents reflect progress and intent and may be subject to change, including additional detail. These are not final construction documents and should not be used for final bidding or construction-related purposes.

DATE OF ISSUANCE APRIL 27, 2016

REVISION SCHEDULE		
Mark	Description	Date

SHEET TITLE
EXTERIOR ELEVATIONS -
BUILDINGS B1 & B2

SHEET NUMBER
A200-B1.B2



6 B1 & B2- REAR ELEVATION #1
3/32" = 1'-0"



11 B1 & B2- REAR ELEVATION 2
3/32" = 1'-0"



16 B1 & B2 - END ELEVATION #2
3/32" = 1'-0"

UDC Submittal

22-SLATE
APARTMENTS

PROGRESS DOCUMENTS

These documents reflect progress and intent and may be subject to change, including additional detail. These are not final construction documents and should not be used for final bidding or construction-related purposes.

DATE OF ISSUANCE APRIL 27, 2016

REVISION SCHEDULE		
Mark	Description	Date

SHEET TITLE

EXTERIOR ELEVATIONS -
BUILDINGS B1 & B2

SHEET NUMBER

A201-B1.B2



6 B3 & B4 - FRONT ELEVATION #1
3/32" = 1'-0"



11 B3 & B4 - FRONT ELEVATION #2
3/32" = 1'-0"



16 B3 & B4 - END ELEVATION
3/32" = 1'-0"

UDC Submittal

22-SLATE APARTMENTS

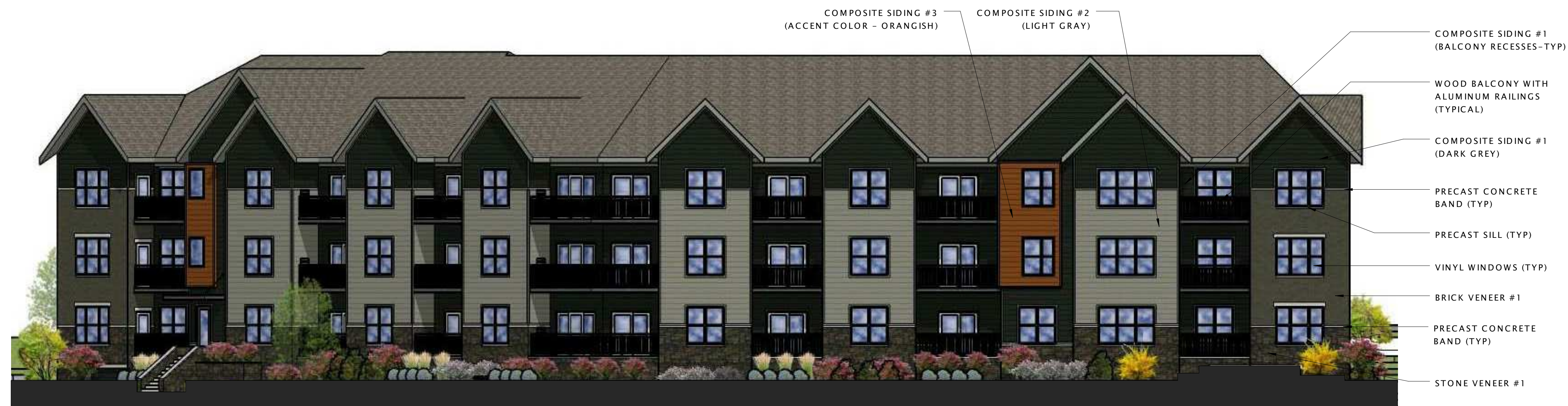
PROGRESS DOCUMENTS
These documents reflect progress and intent and may be subject to change, including additional detail. These are not final construction documents and should not be used for final bidding or construction-related purposes.

DATE OF ISSUANCE APRIL 27, 2016

REVISION SCHEDULE		
Mark	Description	Date

SHEET TITLE
EXTERIOR ELEVATIONS - BUILDINGS B3 & B4

SHEET NUMBER
A200-B3.B4



6 B3 & B4 - REAR ELEVATION #1
3/32" = 1'-0"



11 B3 & B4 - REAR ELEVATION #2
3/32" = 1'-0"



16 B3 & B4 - END ELEVATION (W/ GARAGE)
3/32" = 1'-0"

UDC Submittal

22-SLATE
APARTMENTS

PROGRESS DOCUMENTS

These documents reflect progress and intent and may be subject to change, including additional detail. These are not final construction documents and should not be used for final bidding or construction-related purposes.

DATE OF ISSUANCE APRIL 27, 2016

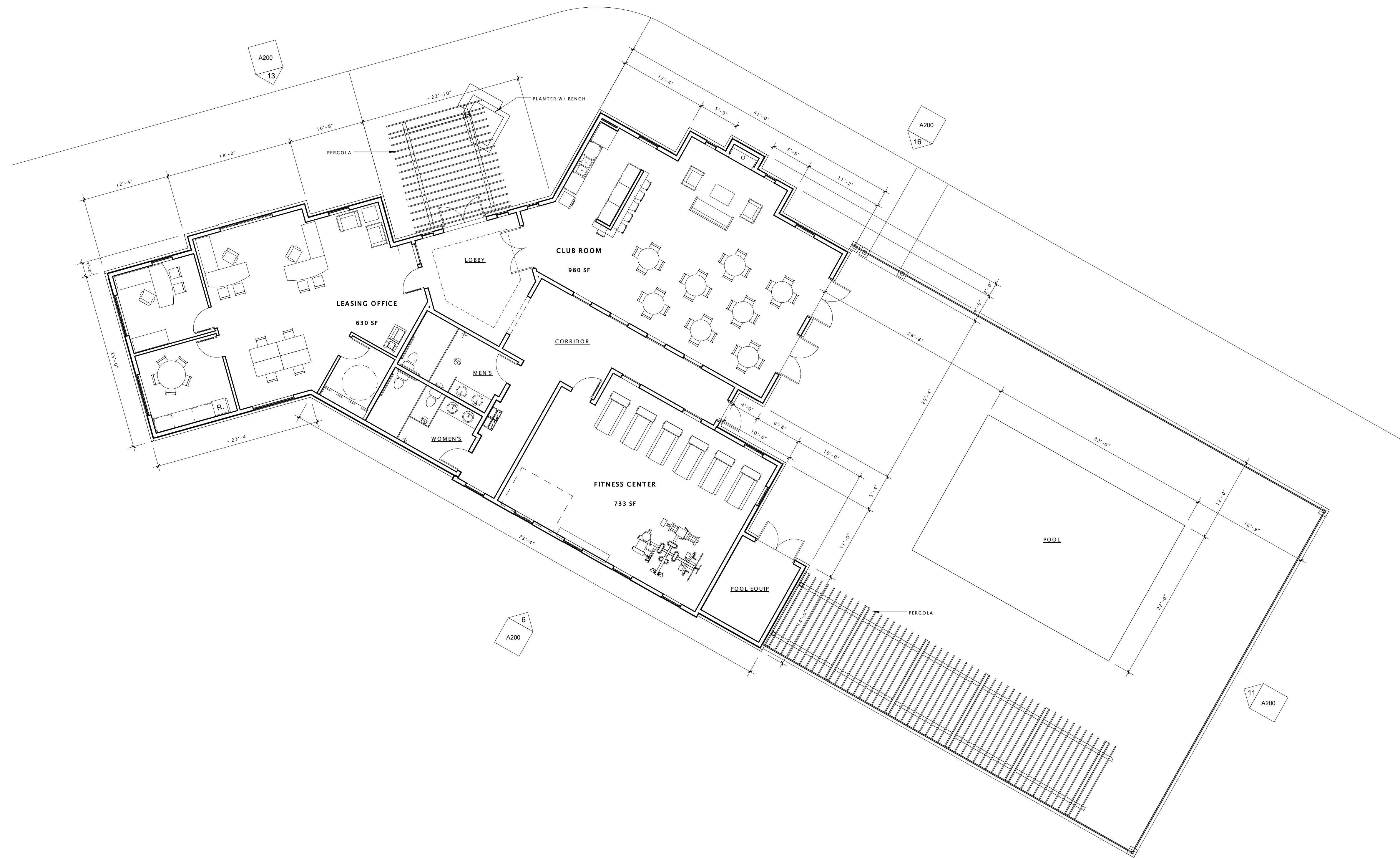
REVISION SCHEDULE		
Mark	Description	Date

SHEET TITLE

EXTERIOR ELEVATIONS -
BUILDINGS B3 & B4

SHEET NUMBER

A201-B3.B4



16 CLUBHOUSE - FIRST FLOOR PLAN
1/8" = 1'-0"



22-SLATE APARTMENTS - CLUBHOUSE

5401 Tancho Drive
Madison, Wisconsin

CLUBHOUSE FIRST FLOOR PLAN

A101

PROGRESS DOCUMENTS

These documents reflect progress and intent and may be subject to change, including additional detail. These are not final construction documents and should not be used for final bidding or construction-related purposes.

JLA PROJECT #:

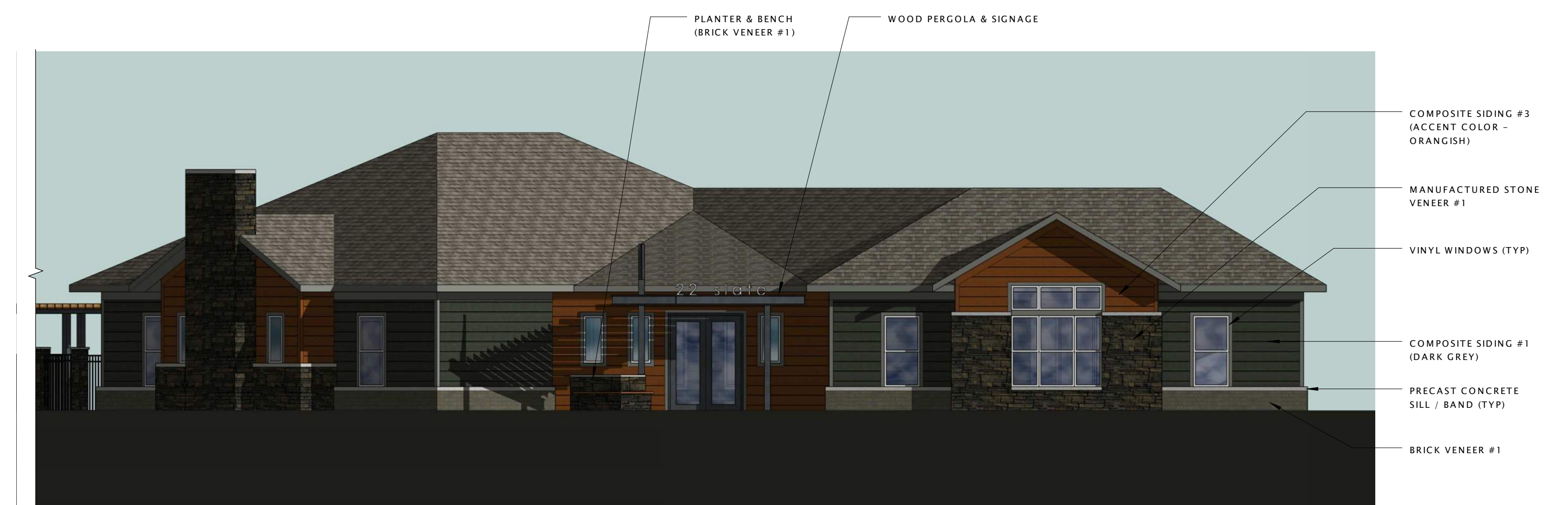
15-0617-01
MARCH 1, 2016



6 CLUBHOUSE SOUTH ELEVATION
1/8" = 1'-0"



11 CLUBHOUSE EAST ELEVATION
1/8" = 1'-0"



13 CLUBHOUSE NORTHWEST ELEVATION
1/8" = 1'-0"



16 CLUBHOUSE NORTHEAST ELEVATION
1/8" = 1'-0"



22-SLATE APARTMENTS - CLUBHOUSE

5401 Tancho Drive
Madison, Wisconsin

CLUBHOUSE EXTERIOR ELEVATIONS

A200

PROGRESS DOCUMENTS

These documents reflect progress and intent and may be subject to change, including additional detail. These are not final construction documents and should not be used for final bidding or construction-related purposes.

JLA PROJECT #:

15-0617-01
MARCH 1, 2016

PROGRESS DOCUMENTS
These documents reflect progress and intent and may be subject to change, including additional detail. These are not final construction documents and should not be used for final bidding or construction-related purposes.

DATE OF ISSUANCE: JANUARY 6, 2016

REVISION SCHEDULE		
Mark	Description	Date

SHEET TITLE: **SITE LIGHTING PLAN**

SHEET NUMBER: **E 100**



CALCULATION SUMMARY

Label	CalcType	Units	Avg	Max	Min	Avg/Min	Max/Min
PARKING AND DRIVES	Illuminance	Fc	1.00	6.8	0.2	5.00	34.00
OVERALL SITE @ 4FT	Illuminance	Fc	0.21	6.8	0.0	N.A.	N.A.
POOL	Illuminance	Fc	4.62	6.2	3.2	1.44	1.94
POOL DECK	Illuminance	Fc	3.54	6.3	0.7	5.06	9.00

LUMINAIRE SCHEDULE

TYPE	SYMBOL	PICTURE	DESCRIPTION	LAMPING NO.	LAMP TYPE	MANUFACTURER	CATALOG NUMBER	HEIGHT
B1	⊙		LED WALL PACK	-	26 W LED	LUMARK	XTOR3A-N	12'-0" AFG
B2	⊙		DECORATIVE WALL PACK	1	39W PSMH	INVUE	ENT-39MP-UNV-EB-3S	12'-0" AFG
B3	⊙		DECORATIVE WALL PACK WITH LUMINOUS GLASS INSERT	1	39W PSMH	INVUE	ENT-39MP-UNV-EB-3S-LG	12'-0" AFG
C1	⊕		30" BOLLARD	-	39W PAR20 MH	LUMIERE	1900-OA-30-MHPAR20	30" POLE
D1	<		HIGH OUTPUT 3000K LED STRING LIGHTS	-	LED	TIVOLI	LSL-12-WW-C-12	PAVILION STRUCTURE
E1	⊕		POLE MOUNT DECORATIVE SIDEWALK FIXTURE	-	27W LED	STREETWORKS	CEM-B01-LED-E-U-T4S	10'-0" POLE 3'-0" BASE
E2	⊕		POLE MOUNT DECORATIVE SIDEWALK FIXTURE	-	51W LED	STREETWORKS	CEM-B02-LED-E-U-T4S	12'-0" POLE 3'-0" BASE

TO OBTAIN LOCATIONS OF PARTICIPATING UNDERGROUND FACILITIES BEFORE YOU DIG IN WISCONSIN
CALL DIGGERS HOTLINE
1-800-242-8511
TOLL FREE
WIS STATUTE 182.0175(1974)
NOTICE: MIN. 3 WORK DAYS
NOTICE BEFORE YOU EXCAVATE
MILWAUKEE AREA 259-1181

THE UNDERGROUND UTILITY INFORMATION SHOWN ON THIS MAP IS BASED ON FIELD MARKINGS AND INFORMATION FURNISHED BY UTILITY COMPANIES AND THE LOCAL MUNICIPALITY. WHILE THIS INFORMATION IS BELIEVED TO BE RELIABLE, ITS ACCURACY AND COMPLETENESS CANNOT BE GUARANTEED.

1 SITE LIGHTING PLAN
SCALE: 1" = 60'

DESCRIPTION

The patented Lumark Crosstour™ LED Wall Pack Series of luminaires provides an architectural style with super bright, energy efficient LEDs. The low-profile, rugged die-cast aluminum construction, universal back box, stainless steel hardware along with a sealed and gasketed optical compartment make the Crosstour impervious to contaminants. The Crosstour wall luminaire is ideal for wall/surface, inverted mount for façade/canopy illumination, post/bollard, site lighting, floodlight and low level pathway illumination including stairs. Typical applications include building entrances, multi-use facilities, apartment buildings, institutions, schools, stairways and loading docks test.

SPECIFICATION FEATURES

Construction

Slim, low-profile LED design with rugged one-piece, die-cast aluminum hinged removable door and back box. Matching housing styles incorporate both a small and large design. The small housing is available in 7W and 18W. The large housing is available in the 26W model. Patent pending secure lock hinge feature allows for safe and easy tool-less electrical connections with the supplied push-in connectors. Back box includes three (3) half-inch, NPT threaded conduit entry points. The universal back box supports both the small and large forms and mounts to standard 3-1/2" to 4" round and octagonal, 4" square, single gang and masonry junction boxes. Key hole gasket allows for adaptation to junction box or wall. External fin design extracts heat from the fixture surface. One-piece silicone gasket seals door and back box. Minimum 5" wide pole for site lighting application. Not recommended for car wash applications.

Optical

Silicone sealed optical LED chamber incorporates a custom engineered mirrored anodized reflector providing high-efficiency illumination. Optical assembly includes impact-resistant tempered glass and meets IESNA requirements for full cutoff compliance. Solid state LED Crosstour luminaires are thermally optimized with five (5) lumen packages in cool 5000K or neutral warm 3500K LED color temperature (CCT).

Electrical

LED driver is mounted to the die-cast housing for optimal heat sinking. LED thermal management system incorporates both conduction and natural convection to transfer heat rapidly away from the LED source. 7W models operate in -40°C to 40°C [-40°F to 104°F]. 18W and 26W models operate in -40°C to 40°C [-40°F to 104°F]. High ambient 50°C models available. Crosstour luminaires maintain greater than 90% of initial

light output after 72,000 hours of operation. Three (3) half-inch NPT threaded conduit entry points allow for thru-branch wiring. Back box is an authorized electrical wiring compartment. Integral LED electronic driver incorporates surge protection. 120-277V 50/60Hz or 347V 60Hz models.

Finish

Crosstour is protected with a Super durable TGIC carbon bronze or summit white polyester powder coat paint. Super durable TGIC powder coat paint finishes withstand extreme climate conditions while providing optimal color and gloss retention of the installed life.

Warranty

Five-year warranty.

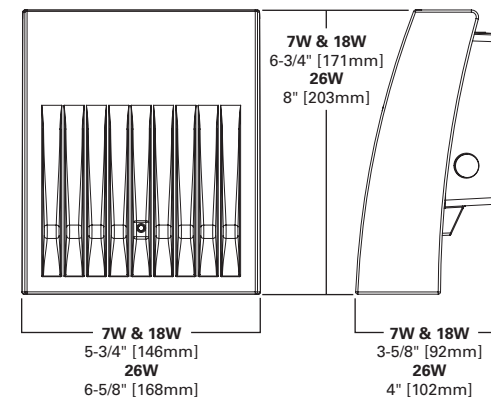
Catalog #		Type
Project		
Comments		Date
Prepared by		



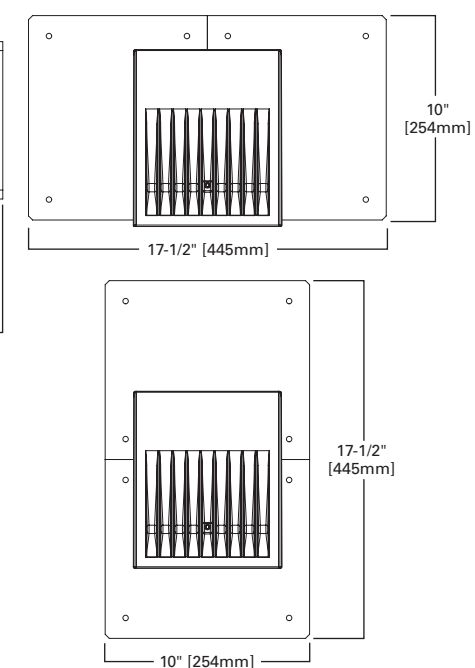
**XTOR
CROSSTOUR LED**

- APPLICATIONS:**
 WALL / SURFACE
 POST / BOLLARD
 LOW LEVEL
 FLOODLIGHT
 INVERTED
 SITE LIGHTING

DIMENSIONS



ESCUTCHEON PLATES



CERTIFICATION DATA
 UL/cUL Wet Location Listed
 LM79 / LM80 Compliant
 ROHS Compliant
 ADA Compliant
 NOM Compliant Models
 IP66 Ingressed Protection Rated
 Title 24 Compliant
 DesignLights Consortium® Qualified*

TECHNICAL DATA
 40°C Maximum Ambient Temperature
 External Supply Wiring 90°C Minimum

EPA
Effective Projected Area (Sq. Ft.):
 XTOR1A/XTOR2A=0.34
 XTOR3A=0.45

SHIPPING DATA:
Approximate Net Weight:
 3.7 – 5.25 lbs. [1.7 – 2.4 kgs.]

LUMEN MAINTENANCE

Ambient Temperature	TM-21 Lumen Maintenance (72,000 Hours)	Theoretical L70 (Hours)
XTOR1A Model		
25°C	> 92%	> 290,000
40°C	> 92%	> 290,000
50°C	> 91%	> 270,000
XTOR2A Model		
25°C	> 91%	> 270,000
40°C	> 90%	> 260,000
50°C	> 88%	> 225,000
XTOR3A Model		
25°C	> 91%	> 280,000
40°C	> 91%	> 270,000
50°C	> 89%	> 240,000

LUMENS - CRI/CCT TABLE

LED Information	XTOR1A	XTOR2A	XTOR2A-N	XTOR3A	XTOR3A-N
Delivered Lumens (Wall Mount)	722	1,633	1,523	2,804	2,284
Delivered Lumens (With Flood Accessory Kit) ¹	468	1,060	978	2,168	1,738
B.U.G. Rating ²	B0-U0-G0	B1-U0-G0	B1-U0-G0	B1-U0-G0	B1-U0-G0
CCT (Kelvin)	5,000	5,000	3,500	5,000	3,500
CRI (Color Rendering Index)	65	65	70	65	70
Power Consumption (Watts)	7W	18W	18W	26W	26W

NOTES: 1 Includes shield and visor. 2 B.U.G. Rating does not apply to floodlighting.

CURRENT DRAW

Voltage	Model Series		
	XTOR1A	XTOR2A	XTOR3A
120V	0.05A	0.15A	0.22A
208V	0.03A	0.08A	0.13A
240V	0.03A	0.07A	0.11A
277V	0.03A	0.06A	0.10A
347V	0.025A	0.058A	0.082A

ORDERING INFORMATION

Sample Number: XTOR2A-N-WT-PC1

Series ¹	LED Kelvin Color	Housing Color	Options (Add as Suffix)	Accessories (Order Separately)
XTOR1A=Small Door, 7W XTOR2A=Small Door, 18W XTOR3A=Small Door, 26W	[Blank]=Bright White (Standard) 5000K N=Neutral Warm White, 3500K ²	[Blank]=Carbon Bronze (Standard) WT=Summit White TBD	PC1=Photocontrol 120V ³ PC2=Photocontrol 208-277V ^{3,4} 347V=347V ⁵ HA=50°C High Ambient ⁵	WG/XTOR=Wire Guard ⁶ XTORFLD-KNC=Knuckle Floodlight Kit ⁷ XTORFLD-TRN=Trunnion Floodlight Kit ⁷ XTORFLD-KNC-WT=Knuckle Floodlight Kit, Summit White ⁷ XTORFLD-TRN-WT=Trunnion Floodlight Kit, Summit White ⁷ EWP/XTOR=Escutcheon Wall Plate, Carbon Bronze EWP/XTOR-WT=Escutcheon Wall Plate, Summit White

NOTES: 1 DesignLights Consortium® Qualified. Refer to www.designlights.org Qualified Products List under Family Models for details. 2 XTOR1A not available in 3500K. 3 Photocontrols are factory installed. 4 Order PC2 for 347V models. 5 Thru-branch wiring not available with HA option or with 347V. 6 Wire guard for wall/surface mount. Not for use with floodlight kit accessory. 7 Floodlight kit accessory supplied with knuckle (KNC) or trunnion (TRN) base, small and large top visors and small and large impact shields.

STOCK ORDERING INFORMATION

7W Series	18W Series	26W Series
XTOR1A=7W, 5000K, Carbon Bronze	XTOR2A=18W, 5000K, Carbon Bronze	XTOR3A=26W, 5000K, Carbon Bronze
XTOR1A-WT=7W, 5000K, Summit White	XTOR2A-N=18W, 3500K, Carbon Bronze	XTOR3A-N=26W, 3500K, Carbon Bronze
XTOR1A-PC1=7W, 5000K, 120V PC, Carbon Bronze	XTOR2A-WT=18W, Summit White	XTOR3A-WT=26W, Summit White
	XTOR2A-PC1=18W, 120V PC, Carbon Bronze	XTOR3A-PC1=26W, 120V PC, Carbon Bronze

5-DAY QUICK SHIP ORDERING INFORMATION

7W Series	18W Series	26W Series
XTOR1A-WT-PC1=7W, 5000K, Summit White, 120V PC	XTOR2A-PC2=18W, 5000K, 208-277V PC, Carbon Bronze	XTOR3A-PC2=26W, 5000K, 208-277V PC, Carbon Bronze
	XTOR2A-WT-PC1=18W, 5000K, Summit White, 120V PC	XTOR3A-WT-PC1=26W, 5000K, Summit White, 120V PC
	XTOR2A-WT-PC2=18W, 5000K, Summit White, 208-277V PC	XTOR3A-WT-PC2=26W, 5000K, Summit White, 208-277V PC
	XTOR2A-N-WT=18W, 3500K, Summit White	XTOR3A-N-WT=26W, 3500K, Summit White
	XTOR2A-N-PC1=18W, 3500K, 120V PC, Carbon Bronze	XTOR3A-N-PC1=26W, 3500K, 120V PC, Carbon Bronze
	XTOR2A-N-PC2=18W, 3500K, 208-277V PC, Carbon Bronze	XTOR3A-N-PC2=26W, 3500K, 208-277V PC, Carbon Bronze
	XTOR2A-N-WHT-PC1=18W, 3500K, Summit White, 120V PC	XTOR3A-N-WHT-PC1=26W, 3500K, Summit White, 120V PC
	XTOR2A-N-WT-PC2=18W, 3500K, Summit White, 208-277V PC	XTOR3A-N-WT-PC2=26W, 3500K, Summit White, 208-277V PC

DESCRIPTION

ENTRI Series' family of modular faceplate designs provide a tasteful architectural statement equally suitable for indoor and outdoor environments. Available luminous faceplate window adds a signature look, while affording custom color capability.

Catalog #		Type
Project		
Comments		Date
Prepared by		

SPECIFICATION FEATURES

Construction

HOUSING: One piece die-cast aluminum construction for precise tolerance control and repeatability in manufacturing. Accommodates either up or down mounting configurations with no modifications. Downlight and uplight lens' are impact resistant 5/32" thick tempered clear or frosted flat glass, sealed to the housing with high strength VHB adhesive tape and a continuous silicone bead gasket. Silicone wireway plug on housing back wall seals incoming electrical leads to prevent moisture and dust entry. **FACEPLATE:** One piece die-cast aluminum faceplate utilizes a continuous silicone gasket to seal securely to housing. Side hinged faceplate swings open via release of one (1) flush mount die-cast aluminum latch on housing side panel. Available luminous glass insert is .16" thick frosted glass, secured to back of faceplate with a continuous EPDM gasket. Available colored gel film secures behind glass.

Electrical

ELECTRICAL COMPONENTS: Ballast and related electrical componentry are heat sunk to the housing for cooler operation and prolonged life.

Optical

OPTICAL SYSTEM: Choice of ten (10) high efficiency optical systems constructed of premium 95% reflective anodized aluminum sheet, or bright specular anodized polished spun aluminum. Available distributions include Type III, Type III with 10% secondary glow, Type III with pencil secondary, Forward Throw, Forward Throw with 10% secondary glow, Forward Throw with pencil secondary, FX grazing optic, FXF 50% up/50% down grazing optic, Tight Spot, and 50% up/50% down Tight Spot. Optical segments are rigidly mounted inside a heavy wall aluminum housing for superior protection. All segment faces are clean of rivet heads, tabs, or other means of attachment which may cause streaking in the light distribution. All reflector modules feature quick disconnect wiring plugs. T6 Pulse Start Metal Halide lamps feature G12 lampholders, WhiteSon(TM) High Pressure Sodium lamp features a GX12 lampholder,

Quartz Halogen lamps feature mini-can screw based lampholders, and Compact Fluorescent lamps feature GX24q-(3,4,5) 4-pin lampholders.

Mounting

Standard zinc plated attachment plate mounts directly to 4" J-Box. Fixture slides over mounting plate and is secured with two (2) concealed stainless steel fasteners. Mounting plate features one-piece, EPDM gasket on back side of plate to firmly seal fixture to wall surface, forbidding entry of moisture and particulates. Optional mounting arrangements utilize a die-cast aluminum adapter box to allow for surface conduit wiring, quartz lamp options, and emergency battery pack capability.

Finish

Housing finished in a 5 stage premium TGIC polyester powder coat paint, 2.5 mil nominal thickness for superior protection against fade and wear. Standard colors include black, bronze, grey, white, dark platinum, and graphite metallic. RAL and custom color matches available. Consult your INVUE Lighting Systems Representative for more information.



ENTRI TRIANGLE REVEALS

26 - 250W
 Pulse Start Metal Halide
 Whiteson High Pressure Sodium
 Compact Fluorescent
 Quartz Halogen

ARCHITECTURAL WALL LUMINAIRE



NOTE: In downlight only configurations with no faceplate window.

CERTIFICATION DATA

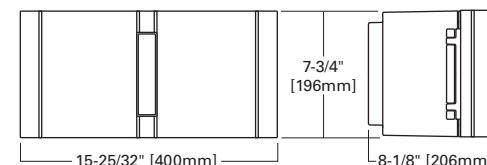
IP66 Rated
 U.L. 1598 Listed
 CSA Listed
 40°C Ambient Temperature Rating
 ISO 9001
 Full Cutoff (In downlight only configurations with no faceplate window)

SHIPPING DATA (Approximate)

Net Weight (lbs.): 13
 Volume (cu. ft): 4.5



DIMENSIONS



WATTAGE TABLE

Lamp Type	Wattage
Pulse Start Metal Halide (MP)	39, 70, 100, 150W
WhiteSON HPS (WS)	100W
Compact Fluorescent (CF)	(1) 26, (2) 26, (1) 32, (2) 32, (1) 42, (2) 42, (1) 57W
Quartz Halogen (HL)	100, 150, 250W

ORDERING INFORMATION

Sample Number: ENT-150-MH-120-EB-3S-BK-LG-L

Product Family ENT=ENTRI Triangle Reveals	Lamp Wattage MP ¹ 39=39W 70=70W 100=100W 150=150W WS ¹ 100=100W Compact Fluorescent ² 26=26W 32=32W 42=42W 52=(2) 26W ³ 57=57W ⁴ 64=(2) 32W ³ 84=(2) 42W ³ Halogen ⁵ 100=100W 150=150W 250=250W	Voltage ⁸ 120=120V 208=208V 240=240V 277=277V 347=347V 480=480V DT= Dual-Tap ⁹ wired 277V MT= Multi-Tap ¹⁰ wired 277V TT= Triple-Tap ¹¹ wired 347V UNV= 120-277V Universal Electronic Ballast	Optical System Downlight or Uplight (HID or Halogen) 3S=Type III FT=Forward Throw FX=Wall Grazing Optic TS= Tight Spot Downlight and Uplight (HID and Halogen) 3SG= Type III, 90% Main/10% Secondary Glow 3SP= Type III with Pencil Secondary FTG= Forward Throw, 90% Main/10% Secondary Glow FTP= Forward Throw with Pencil Secondary FXF= Wall Grazing Optic, 50% Up/50% Down TSF= Tight Spot, 50% Up/50% Down Compact Fluorescent CFG= 90% Main + 10% Secondary Glow CFM= 100% Main, Up or Downlighting	Optional Luminous Faceplate Insert B3 LG=Luminous Glass Insert LGO=Luminous Glass Insert w/ Warm Orange Gel LGR= Luminous Glass Insert w/ Red Gel LGB= Luminous Glass Insert w/ Bright Blue Gel LGG= Luminous Glass Insert w/ Deep Green Gel	Accessories ²⁰ VA2001-XX=Thru-way Box ¹⁶ VA2002=Wire Guard Kit
	Lamp Type MP=Pulse Start Metal Halide WS=WhiteSON High ⁶ Pressure Sodium CF=Compact Fluorescent ⁷ HL=Quartz Halogen	Ballast MB= Magnetic Ballast EB= Electronic ¹² Ballast	Color ¹³ BK=Black AP=Grey BZ=Bronze WH=White DP=Dark Platinum GM=Graphite Metallic	Options ¹⁴ F= Single Fuse (120, 277 or 347V) Specify Voltage FF= Double Fuse (208, 240 or 480V) Specify Voltage DSAB= Dual Fluorescent Switching Control Adapter Box ^{15, 16} QAB= Quartz Restrike Adapter Box ¹⁶ EMAB= Quartz Restrike w/ Delay Adapter Box (Also ¹⁶ Strikes at Cold Start) EM/SCAB= Quartz Emergency Separate Circuit Adapter ¹⁶ Box CF/EMAB=Emergency Battery Backup Adapter Box ^{16, 17} PC=Button Type Photocontrol (Specify Voltage) WG=Wire Guard ¹⁸ FRM=Frosted Main Flat Glass FRS=Frosted Secondary Flat Glass ¹⁹ L=Lamp Included (Standard for all Halogen lamps)	

TBD

- Notes:**
- All MP lamps are T6 envelope with G12 lamp base. All HPS lamps are T6 envelope with GX12 lamp base.
 - All 26/32/42/57W CF lamps feature a 4-pin lamp base. Available in CFM and CFG distributions only.
 - Dual compact fluorescent lamps.
 - Nominal M.O.L lamp length of 57W CFL not to exceed 7".
 - All Halogen lamps are T4 envelope with mini-can base.
 - WhiteSON HPS lamp available in 100W only. Requires electronic ballast. 120/277V only. Requires use of VA2001 accessory Thru-way Box.
 - CF ballasts are 120 through 277V. Specify with UNV voltage designation.
 - Products also available in non-US voltages and 50Hz for international markets. Consult factory for availability and ordering information.
 - Dual-tap is 120/277V wired 277V.
 - Multi-tap is 120/208/240/277V wired 277V.
 - Triple-tap is 120/277/347V wired 347V.
 - 120 through 277V only. Electronic ballast standard with all CF lamps. EB available with 39/70/100/150W MP lamps. 150W requires and is supplied with VA2001 Thru-way Box. Not available with QAB or EMAB options.
 - Custom and RAL color matching available upon request. Consult your INVUE Lighting Systems Representative for further information.
 - Add as suffix in the order shown.
 - Dual switching requires dual 26, 32 or 42W Compact Fluorescent lamps. Allows independent switching control of each lamp through use of two (2) electronic ballasts. Allows 50% power reduction when dual ballasts are independently wired and controlled.
 - VA2001 and thru-way adaptor box options to be mounted facing downward only. Cannot be used for primary "uplight only" applications.
 - CF lamps only. Battery backup provides 90 minutes of supplemental light, minimum operating temperature of 32°F (0°C), 42W maximum.
 - For use in down lighting applications only.
 - Frosted secondary lens provided standard on 3SG, FTG, and CFG distributions.
 - Order separately, replace XX with color suffix.

DESCRIPTION

The Aspen 1900-OA bollard features a sleek, contemporary aesthetic and low glare fixed optics. Fixtures that utilize a metal halide lamp source include an integral core & coil ballast (electronic ballast optional); fixtures with a halogen source are available with integral or remote 12V transformer. Our patented LumaLevel™ leveling system provides quick installation, easy adjustment, secure mounting and protection from vibration. Aspen bollards are available in two standard sizes.

Catalog #		Type
Project		
Comments		Date
Prepared by		

SPECIFICATION FEATURES

A ... Material

Housing is precision-machined from corrosion-resistant 6061-T6 aluminum extrusion. Mounting base is cast from corrosion-resistant silicone aluminum alloy.

B ... Finish

Fixture and mounting base are double protected by a chromate conversion undercoating and polyester powdercoat paint finish, surpassing the rigorous demands of the outdoor environment. Fixture housing is available in a variety of standard colors. Mounting base is painted black.

C ... Lens

Lens is machined from solid U.V. stabilized clear acrylic and is designed to produce maximum light output with low brightness.

D ... Adjustable Mounting Base

Cast aluminum mounting base assembly is equipped with the patented LumaLevel™ leveling system that includes mounting chassis, 70 shore neoprene base, stainless steel hardware and 3/4" conduit entry. The LumaLevel™ leveling system provides quick installation, easy adjustment, secure mounting and protection from vibration.

E ... Anchor Bolts & Template

Three (3) 3/8" x 12" galvanized anchor bolts and a galvanized steel anchor bolt template are standard. Anchor bolts and template are available to ship in advance of fixture for rough-in purposes (specify option -LAB and order anchor bolts/template kit separately).

F ... Hardware

Stainless steel hardware is standard to provide maximum corrosion-resistance.

G ... Socket

MH39PAR20: Ceramic socket with 250° C Teflon® coated lead wires and medium base. 50MR16: Ceramic socket with 250° C Teflon® coated lead wires and GU5.3 bi-pin base.

H ... Electrical

MH39PAR20: Integral core & coil ballast is standard (120/208/240/277/347V). Rated for -20° C starting temperature. Integral electronic ballast (120/277V) is available (specify option -EL). 50MR16: 12V transformer required (not included). Remote transformer is available from Lumière as an accessory - see the Accessories & Technical Data section of this catalog for details. Integral 12V transformer is available as an option (specify option -IT).

I ... Lamp

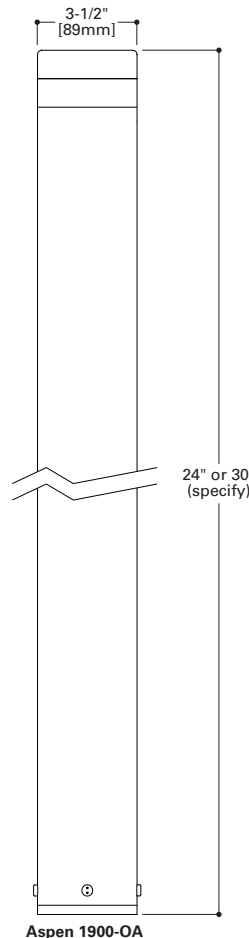
Not included. Available from Lumière as an accessory - see reverse side of this page.

J ... Labels & Approvals

UL and cUL listed, standard wet label. Manufactured to ISO 9001-2000 Quality Systems Standard. IBEW union made.

K ... Warranty

Lumière warrants its fixtures against defects in materials & workmanship for three (3) years. Auxiliary equipment such as transformers, ballasts and lamps carry the original manufacturer's warranty.



ASPEN
1900-OA
Open Aperture

39W (max.) PAR20
Metal Halide

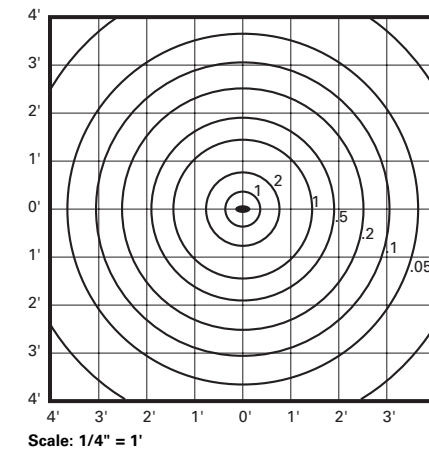
50W (max.) MR16
Halogen
Low Voltage

Bollard

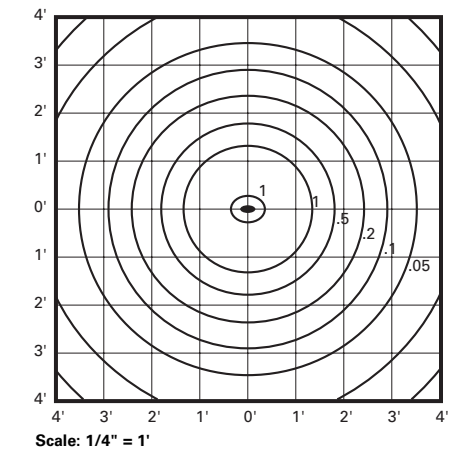
Aspen **1900-OA-30-MHPAR20** Lamp=MH39PAR20/FL Lumens=2000

Aspen 1900-OA-24-50MR16 Lamp=50MR16 Lumens=950

ISO Footcandle Plot



ISO Footcandle Plot



LAMP INFORMATION

Lamp	ANSI Code	Watts	Beam Spread	CBCP	°K	Life (hrs.)	Base	Volts
CDM39PAR20/SP	M130KK-39	39	10°	23,000	3000	9000	medium	120-347
50MR16/NSP	EXT	50	12°	11,000	3050	4000	GU5.3 bi-pin	12

NOTE: Inferior quality lamps may adversely affect the performance of this product. Use only name brand lamps from reputable lamp manufacturers.

NOTES AND FORMULAS

- Beam diameter is to 50% of maximum footcandles, rounded to the nearest half-foot.
- Footcandle values are initial. Apply appropriate light loss factors where necessary.

12V | Litesphere™ LED Strand

CAT:	FEET:
TYPE:	PROJECT:



Energy-efficient, low voltage strand lighting using wedge-base LED lamps protected by clear, frosted or colored polycarbonate globes.

- Features**
- Flexible 16AWG. cord available in Black or White with matching socket.
 - Shatterproof, polycarbonate, O-ring fitted globes protect lamps with clarity and seamless appearance.
 - Socket is parallel wired and permanently fixed to cord.
 - Field cuttable.

Mounting
 Each Socket has mounting holes for screw attachment in under-eye applications. Use 1/8" stainless steel wire cable (by others) and hanger clips for festoon applications.

Applications
 Ideal for indoor and outdoor applications.

Warranty
 3 years

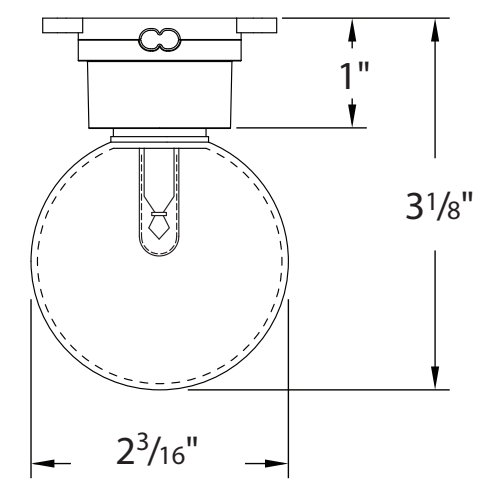


Technical Information

Lamp Spacing	6" O.C.	12" O.C.	18" O.C.	24" O.C.
*Lumens/ft(STD)	8	4	3	2
*Lumens/ft (HO)	24	12	9	6
*Watts/ft (STD)	0.2	0.1	0.08	0.05
*Watts/ft (HO)	0.52	0.26	0.20	0.13
Lumens/watt (STD)	40	40	40	40
*Lumens/watt (HO)	46	46	46	46
CRI	> 80/TYP83			
LED Colors	1900°K, 2700°K, , 3000°K, 3500°K, 4000°K (+/- 80°K) 3SDCM White (4200°K), Warm White (2800°K)			
Rated Life	75,000 hr.			
Ordering Increment	1'			
Operating Voltage	12V DC			
Power Supply	Class II			

* 3000°K Sample

Profile Dimensions



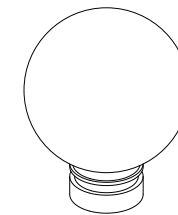
Recommended Power Supplies

CAT NO	APPLICATION	PRIMARY AND SECONDARY	TOTAL WATTAGE / AMPS PER BREAKER	LISTING	DIMENSIONS	ELECTRONIC OR AC MAGNETIC
ADNM-80-1-5-12-D	Outdoor	120-277V AC / 12V DC	60W / 1X5A	cULus	12"W X 12"L X 4"D	Electronic
ADNM-150-2-5-12-D		120-277V AC / 12V DC	120W / 2X5A	cULus	12"W X 12"L X 4"D	Electronic
ADNM-240-3-5-12-D		120-277V AC / 12V DC	180W / 3X5A	cULus	12"W X 12"L X 4"D	Electronic
ADNM-320-4-5-12-D		120-277V AC / 12V DC	240W / 4X5A	cULus	12"W X 12"L X 4"D	Electronic
ADUL-80-1-5-12-D	Indoor	120-277V AC / 12V DC	60W / 1X5A	UL/ETL/CSA	10"W X 10"L X 4"D	Electronic
ADUL-150-2-5-12-D		120-277V AC / 12V DC	120W / 2X5A	UL/ETL/CSA	10"W X 10"L X 4"D	Electronic
ADUL-240-3-5-12-D		120-277V AC / 12V DC	180W / 3X5A	UL/ETL/CSA	10"W X 10"L X 4"D	Electronic
ADUL-320-4-5-12-D		120-277V AC / 12V DC	240W / 4X5A	UL/ETL/CSA	10"W X 10"L X 4"D	Electronic
MT-60-1-5-12-D	Indoor/Outdoor	120V AC / 12V DC	60W / 1X5A	cULus	2.50"W X 12.32"L X 1.56"D	Electronic
MT-60-1-5-12-DD		120V AC / 12V DC	60W / 1X5A	cULus	2.50"W X 12.32"L X 1.56"D	Electronic
JT-60-1-5-12-D	Indoor/Outdoor	120V AC / 12V DC	60W / 1X5A	cETLus	4.25"W X 8.50"L X 3.25"D	Magnetic
JTH-60-1-5-12-D		277V AC / 12V DC	60W / 1X5A	cETLus	4.25"W X 8.50"L X 3.25"D	Magnetic
JT-240-4-5-12-D		120V AC / 12V DC	240W / 4X5A	cETLus	8.50"W X 16.00"L X 4.50"D	Magnetic
JTH-240-4-5-12-D		277V AC / 12V DC	240W / 4X5A	cETLus	8.50"W X 16.00"L X 4.50"D	Magnetic

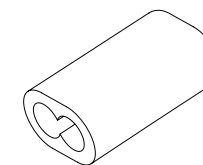
Ordering Information



Wiring Accessories



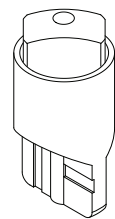
REPLACEMENT GLOBES
LS-CG Clear
LS-FG Frosted
LS-YG Yellow
LS-RG Red
LS-OG Orange
LS-GG Green
LS-BG Blue
LS-PG Purple



LS-EC-BK Black end cap
LS-EC-WH White end cap



LS-HANG-CLIP
 Hanger clip for installation from 8 gauge stainless steel aircraft cable



REPLACEMENT LEDS
LSL-BL-F-12 Blue
LSL-GR-F-12 Green
LSL-RD-F-12 Red
LSL-YL-F-12 Yellow
LSL-WH-F-12 White
LSL-WW-F-12 Warm White



STREETWORKS™

DESCRIPTION

The EPIC Collection delivers custom luminaire flexibility with high quality, yet availability expectations of standard specification grade product. The EPIC Collection can be dressed to suit any application. Recognizing evolving environmental and legislative trends, EPIC Collection delivers world class LED optical and performance solutions to the decorative luminaire marketplace.

Catalog #		Type
Project		
Comments		Date
Prepared by		

SPECIFICATION FEATURES

Construction

TOP: Cast aluminum classical top housing maintains a nominal 1/8" sidewall thickness. Top attaches to cast aluminum mounting arm hub with four (4) stainless steel fasteners. One (1) piece silicone gasket between mounting hub and top casting seals out moisture and contaminants. **MIDSECTION:** Continuous silicone gaskets seal lens to top casting and shade. The mid-section options feature cast aluminum construction and stainless steel assembly hardware. **SHADES:** Heavy-gauge precision spun aluminum shades offer superior surface finish and consistency in form. **DOORFRAME:** Die-cast aluminum 1/8" thick door and doorframe seal to underside of shade with a thick wall continuous silicone gasket. Mounting hub ships attached to mounting arm.

Optics

DISTRIBUTION: Choice of thirteen (13) patented, high-efficiency AccuLED Optics™, that maximize light collection and

directional distribution onto the application region. Each optical lens is precision manufactured via injection-molding, then precisely arranged and sealed on the board media. **LEDs:** High output LEDs, 50,000+ hours life at >70% lumen maintenance, offered standard in 4000° K (+/- 275K) CCT and nominal 70 CRI.

Electrical

ELECTRICAL TRAY: Driver and related electrical componentry are mounted to one-piece tray. Quick disconnect wiring plugs allow for tray removal during routine maintenance. **DRIVER:** LED drivers are potted and heat sunk for optimal performance and prolonged life. Standard drivers feature electronic universal voltage (120-277V/50-60hz), greater than 0.9 power factor, less than 20% harmonic distortion and feature ambient temperature range of +40°C (104°F) down to minimum starting temperature of -30°C (-22°F). Shipped standard with Cooper Lighting proprietary circuit

module designed to withstand 10kV of transient line surge. All LED LightBARs™ and drivers are mounted to dedicated mounting trays and are easily replaced by use of quick disconnects for ease of wiring.

Finish

Housing is finished in 5 stage Super TGIC polyester powder coat paint, 2.5 mil nominal thickness for superior protection against fade and wear. Standard colors include black, bronze, grey, white, dark platinum and graphite metallic. RAL and custom color matches available. Consult Outdoor Architectural Colors brochure for a complete selection. LightBAR™ cover plates are standard white and may be specified to match finish of luminaire housing.

Warranty

CEM LED features a five-year limited warranty.



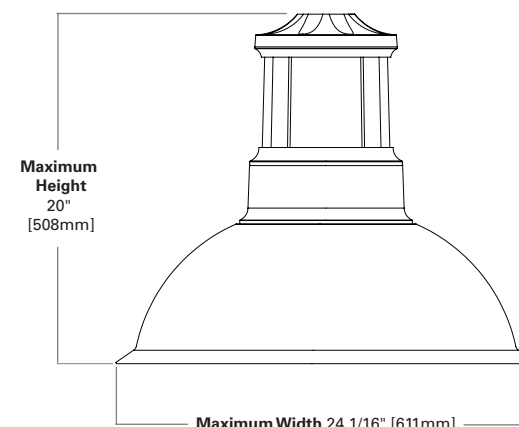
CEM CLASSICAL EPIC MEDIUM LED

1 - 4 LightBARs
Solid State LED

DECORATIVE AREA



DIMENSIONS



NOTE: See configurations for more detailed information.

CERTIFICATION DATA

UL/cUL Listed
ISO 9001
IP66 LightBARs
ARRA Compliant
LM79 / LM80 Compliant
3.5G Vibration Tested

ENERGY DATA

Electronic LED Driver
>0.9 Power Factor
<20% Total Harmonic Distortion
120-277V/50 & 60hz, 347V/60hz, 480V/60hz
-30°C Minimum Temperature
40°C Ambient Temperature Rating

EPA

Effective Projected Area: (Sq. Ft.)
0.94

SHIPPING DATA

Approximate Net Weight:
45 lbs.



POWER AND LUMENS BY BAR COUNT

Number of LightBARs	DISTRIBUTION														
	Power [Watts]	Current @ 120V [A]	Current @ 277V [A]	T2A	T3A	T3S	T4S	SL2	SL3	SL4	5MQ	5WQ	5XQ	RWQ	SLR/SLL
7 LED LIGHTBAR															
C01	27	0.23	0.13	1,873	1,866	1,814	1,817	1,836	1,756	1,807	1,937	1,907	1,911	1,847	1,704
C02	54	0.46	0.21	3,716	3,701	3,600	3,605	3,642	3,485	3,585	3,843	3,783	3,792	3,665	3,380
C03	77	0.65	0.29	5,475	5,453	5,303	5,311	5,366	5,134	5,282	5,661	5,573	5,586	5,399	4,980
C04	101	0.86	0.37	7,282	7,253	7,054	7,064	7,137	6,829	7,026	7,530	7,413	7,430	7,181	6,624
E1 21 LED LIGHTBAR															
B01	27	0.23	0.13	2,304	2,295	2,232	2,235	2,258	2,160	2,223	2,382	2,345	2,351	2,272	2,096
B02	51	0.43	0.20	4,571	4,553	4,428	4,434	4,480	4,286	4,410	4,726	4,653	4,664	4,508	4,158
B03	73	0.62	0.28	6,734	6,707	6,523	6,533	6,600	6,315	6,497	6,963	6,855	6,871	6,641	6,125
B04	95	0.81	0.35	8,957	8,921	8,676	8,689	8,779	8,399	8,642	9,262	9,118	9,139	8,833	8,148

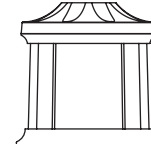
E1
E2

LUMEN MULTIPLIER

Ambient Temperature	Lumen Multiplier
10°C	1.04
15°C	1.03
25°C	1.00
40°C	0.96

PRODUCT CONFIGURATION

HOUSING

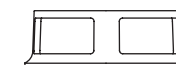


Classical
8.6" H x 8.7" W

MID SECTION



Solid
3.4" H x 9.9" W



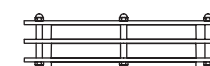
Window
3.4" H x 9.9" W



Louvered
3.4" H x 9.9" W

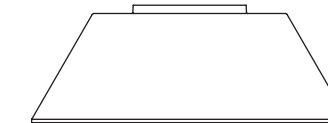


Slot
3.4" H x 9.9" W



Solid Rings
3.4" H x 12" W

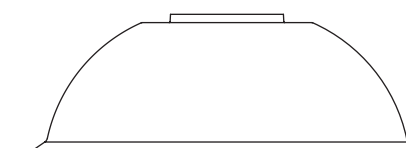
SHADE



Straight Narrow
6.6" H x 19.1" W



Straight Wide
5.1" H x 23.9" W

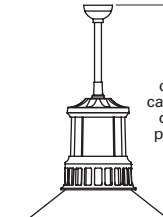


Bell
8" H x 24" W



Flute
6" H x 22.5" W

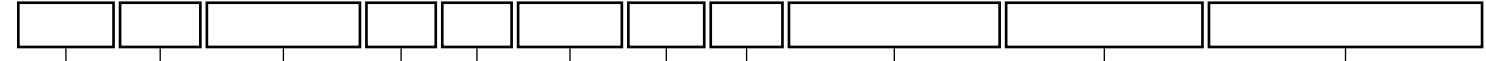
MOUNTING OPTION



Height from ceiling equals calculated height of fixture plus pendant length and 7/8"

ORDERING INFORMATION

Sample Number: CEMB04LEDUT2A4FLBK2L



Product Family ^{1, 2}

CEM=Classic Epic Medium

Number of Lightbars ^{3, 4}

B01=[1] 21 LED LightBAR

B02: [2] 21 LED LightBARs

B03: [3] 21 LED LightBARs

B04: [4] 21 LED LightBARs

C01: [1] 7 LED LightBAR

C02: [2] 7 LED LightBARs

C03: [3] 7 LED LightBARs

C04: [4] 7 LED LightBARs

Lamp Type

LED: Solid State Light Emitting Diodes

Ballast Type

E: Electronic

Voltage

U=Universal (120-277V)

8=480V

9=347V

Distribution

T2A: Type II

T3A: Type III

T3S: Type III Short

T4S: Type IV Short

RWQ: Rectangular Wide

5MQ: Type V Square Medium

5WQ: Type V Square Wide

5MR: Type V Round Medium

5WR: Type V Round Wide

5XQ: Type V Square Extra Wide

SLL: 90 Degree Spill Light Eliminator Left

SLR: 90 Degree Spill Light Eliminator Right

Mid-Section Type

X=Solid Standard

1=Window

2=Louvered

3=Slot

4=Solid Rings

Shade Type

SN=Straight Narrow

SW=Straight Wide

BL=Bell

FL=Flute

Finish ⁵

BK: Black

AP: Grey

BZ: Bronze

WH: White

DP: Dark Platinum

GM: Graphite Metallic

GN: Hartford Green

Options ⁶

2L: Two Circuits⁷

LCF: LightBAR Cover Plate Matches Housing Finish

7060: 70 CRI 6000K⁸

8030: 80 CRI 3000K⁸

PM48=Pendant Mount 48" Length ⁹

MS-LXX=Motion Sensor for¹⁰ On/Off operation

MS/X-LXX=Motion Sensor¹¹ for Bi-Level Switching

MS/DIM-LXX=Motion Sensor for Dimming Operation

Accessories ¹²

SA6158-XX=Traditional Single Pole Mount Arm

SA6159-XX=Traditional Single Pole Mount Arm with Rounded Upper Bar

SA6160-XX=Traditional Single Pole Mount Arm with¹⁶ Rounded Lower Bar

SA6161-XX: Traditional Single Pole Mount Arm with 45 Degree Upper Bar

SA6162-XX: Traditional Single Pole Mount Arm with 45 Degree Lower Bar

SA6163-XX: Traditional Single Pole Mount Arm with 45 Degree Upper Straps

SA6165-XX: Traditional Twin Pole Mount Arm

SA6166-XX: Traditional Twin Pole Mount Arm with Rounded Upper Bars

SA6167-XX: Traditional Twin Pole Mount Arm with¹⁶ Rounded Lower Bars

SA6168-XX: Traditional Twin Pole Mount Arm w/45 Degree Upper Bars

SA6169-XX: Traditional Twin Pole Mount Arm with 45 Degree Lower Bars

SA6170-XX: Traditional Twin Pole Mount Arm with 45 Degree Upper Straps

SA6171-XX: ECM Mast Arm Adapter

OA/RA1016: NEMA Photocontrol - Multi-Tap

Accessory Options ¹³

V=Victorian Finial¹⁴

M=Modern Finial¹⁴

A=Architectural Finial¹⁴

N=Nostalgic Finial¹⁴

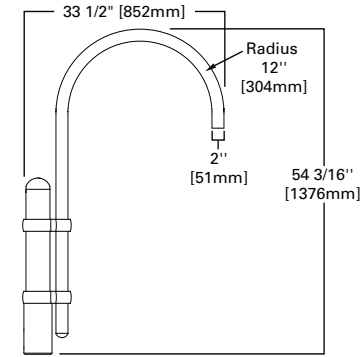
4=NEMA Twistlock Photocontrol Recptacle¹⁵

- Notes:**
- 1 DesignLights™ Consortium Qualified. Refer to www.designlights.org Qualified Products List under Family Models for details.
 - 2 Arm not included. Must be used with Streetworks brand arms. See Accessories.
 - 3 21 LED LightBAR powered at 350mA, 7 LED LightBAR powered at 1A.
 - 4 Standard 4000K CCT and nominal 70 CRI.
 - 5 Custom and RAL color matching available upon request. Consult your Cooper Lighting Representative for further information.
 - 6 Add as suffix in the order shown.
 - 7 Low-level output varies by bar count. Requires quantity of two or more LightBARs. Consult factory.
 - 8 Consult factory for lead times and lumen multiplier.
 - 9 Minimum pendant length is 9.5". For lengths above 48", consult Streetworks Lighting Systems representative. Includes 3/4" pendant pipe in specified length, swivel hanger and canopy cover. Swivel under canopy uses 3/4" NPT thread; fixture head uses 3/4" NPSM; 3-3/4" long thread. "PM" option must be used with Streetworks Pendant Kit only.
 - 10 Sensor housed in external box mounted to luminaire. Available in B02 - B04 and C02 - C04 configurations. Replace XX with mounting height in feet for proper lens selection. (i.e., MS-L20). Consult factory for additional information.
 - 11 Motion sensor for bi-level switching. Sensor housed in external box mounted to luminaire. Available in B02 - B04 and C02 - C04 configurations. Replace X with the number of bars and XX with fixture mounting height in feet (i.e., MS/3-L20). Consult factory for additional information.
 - 12 Order separately/replace XX with color suffix.
 - 13 Add as suffix to accessory. Example: SA6158-BK-R.
 - 14 Finials compatible with Traditional Arms only.
 - 15 Not compatible with finials, wall mount bishop arms or pendant mounting.
 - 16 Requires use of 4" O.D. round straight pole.

EPIC COLLECTION ARMS

DECORATIVE AREA COLLECTION

ARMS SPECIFICATIONS

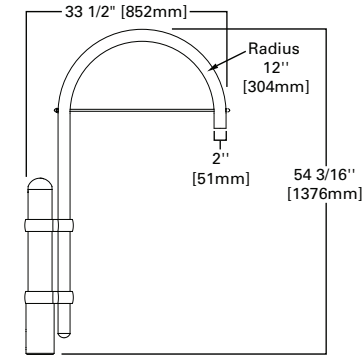


BISHOP SINGLE POLE MOUNT ARM

[SA6105, SA6154, SA6005, SA6054]

Slipfits over 4" round straight pole, or 4" O.D. by 6" tall tenon.

Weight: 24 lbs. **E.P.A.:** .92

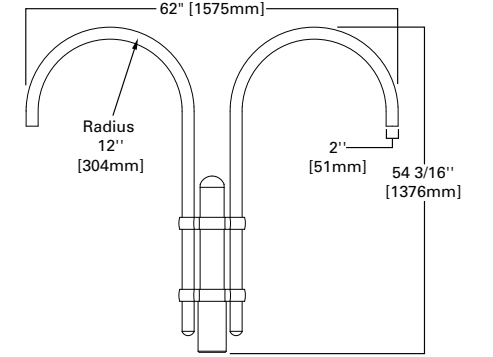


BISHOP SINGLE POLE MOUNT ARM WITH CROSS ROD

[SA6106, SA6155, SA6006, SA6055]

Slipfits over 4" round straight pole, or 4" O.D. by 6" tall tenon.

Weight: 25 lbs. **E.P.A.:** .98

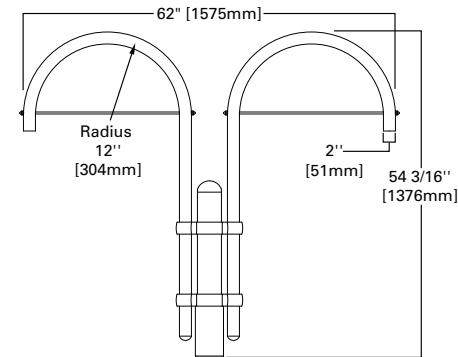


BISHOP TWIN POLE MOUNT ARM

[SA6107, SA6156, SA6007, SA6056]

Slipfits over 4" round straight pole, or 4" O.D. by 6" tall tenon.

Weight: 37 lbs. **E.P.A.:** 1.43

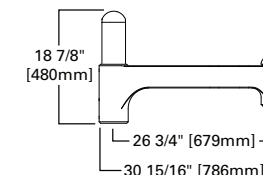


BISHOP TWIN POLE MOUNT ARM WITH CROSS RODS

[SA6108, SA6157, SA6008, SA6057]

Slipfits over 4" round straight pole, or 4" O.D. by 6" tall tenon.

Weight: 39 lbs. **E.P.A.:** 1.55

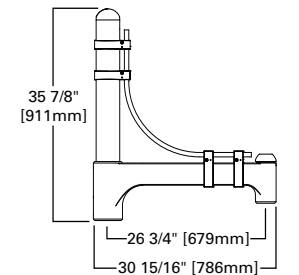


TRADITIONAL SINGLE POLE MOUNT ARM

[SA6109, SA6158, SA6009, SA6058]

Slipfits over 4" round straight pole, or 4" O.D. by 6" tall tenon.

Weight: 20 lbs. **E.P.A.:** .86

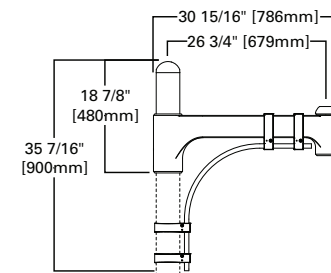


TRADITIONAL SINGLE POLE MOUNT ARM WITH ROUNDED UPPER BAR

[SA6110, SA6159, SA6010, SA6059]

Slipfits over 4" round straight pole, or 4" O.D. by 6" tall tenon.

Weight: 28 lbs. **E.P.A.:** 1.4

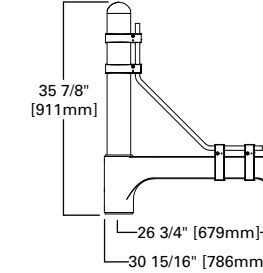


TRADITIONAL SINGLE POLE MOUNT ARM WITH ROUNDED LOWER BAR

[SA6111, SA6160, SA6011, SA6060]

Slipfits over 4" round straight pole. Requires use of 4" O.D. Round Straight Pole

Weight: 25 lbs. **E.P.A.:** 1.16

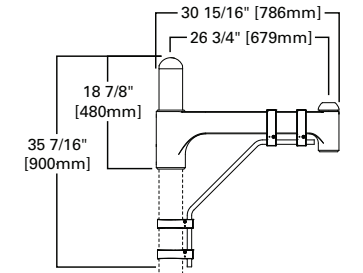


TRADITIONAL SINGLE POLE MOUNT ARM WITH 45° UPPER BAR

[SA6112, SA6161, SA6012, SA6061]

Slipfits over 4" round straight pole, or 4" O.D. by 6" tall tenon.

Weight: 28 lbs. **E.P.A.:** 1.38



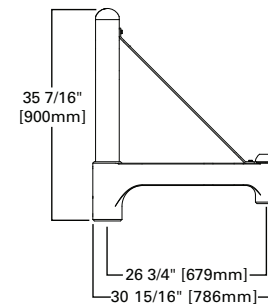
TRADITIONAL SINGLE POLE MOUNT ARM WITH 45° LOWER BAR

[SA6113, SA6162, SA6013, SA6062]

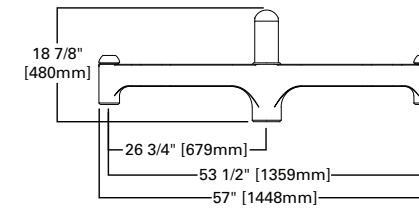
Slipfits over 4" round straight pole. Requires use of 4" O.D. Round Straight Pole

Weight: 25 lbs. **E.P.A.:** 1.14

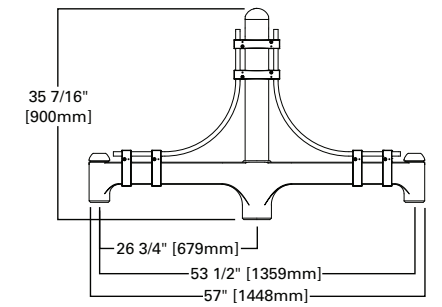
ARMS SPECIFICATIONS (CON'T.)



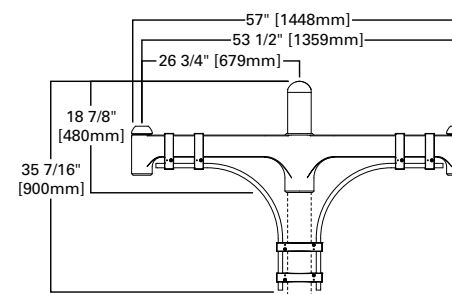
TRADITIONAL SINGLE POLE MOUNT ARM WITH 45° UPPER STRAP
 [SA6114, SA6163, SA6014, SA6063]
 Slipfits over 4" round straight pole, or 4" O.D. by 6" tall tenon.
Weight: 24 lbs. **E.P.A.:** 1.17



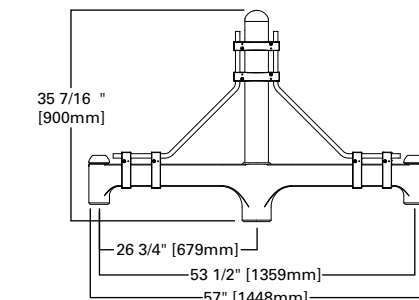
TRADITIONAL TWIN POLE MOUNT ARM
 [SA6116, SA6165, SA6016, SA6065]
 Slipfits over 4" round straight pole, or 4" O.D. by 6" tall tenon.
Weight: 30 lbs. **E.P.A.:** 1.44



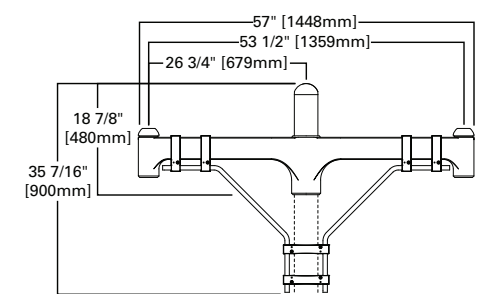
TRADITIONAL TWIN POLE MOUNT ARM WITH ROUNDED UPPER BARS
 [SA6117, SA6166, SA6017, SA6066]
 Slipfits over 4" round straight pole, or 4" O.D. by 6" tall tenon.
Weight: 43 lbs. **E.P.A.:** 2.28



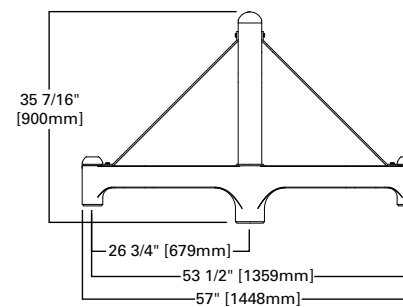
TRADITIONAL TWIN POLE MOUNT ARM WITH ROUNDED LOWER BARS
 [SA6118, SA6167, SA6018, SA6067]
 Slipfits over 4" round straight pole. Requires use of 4" O.D. Round Straight Pole
Weight: 40 lbs. **E.P.A.:** 2.04



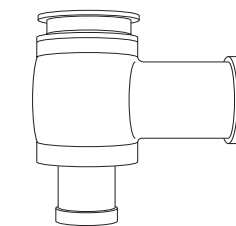
TRADITIONAL TWIN POLE MOUNT ARM WITH 45° UPPER BARS
 [SA6119, SA6168, SA6019, SA6068]
 Slipfits over 4" round straight pole, or 4" O.D. by 6" tall tenon.
Weight: 43 lbs. **E.P.A.:** 2.24



TRADITIONAL TWIN POLE MOUNT ARM WITH 45° LOWER BARS
 [SA6120, SA6169, SA6020, SA6069]
 Slipfits over 4" round straight pole. Requires use of 4" O.D. Round Straight Pole
Weight: 40 lbs. **E.P.A.:** 2.0



TRADITIONAL TWIN POLE MOUNT ARM WITH 45° UPPER STRAPS
 [SA6121, SA6170, SA6021, SA6070]
 Slipfits over 4" round straight pole, or 4" O.D. by 6" tall tenon.
Weight: 37 lbs. **E.P.A.:** 1.81



TENON ADAPTER
 [SA6022, SA6071, SA6122, SA6172]
 Attaches to a 2 3/8" O.D. horizontal tenon.
Weight: 4 lbs. **E.P.A.:** .08