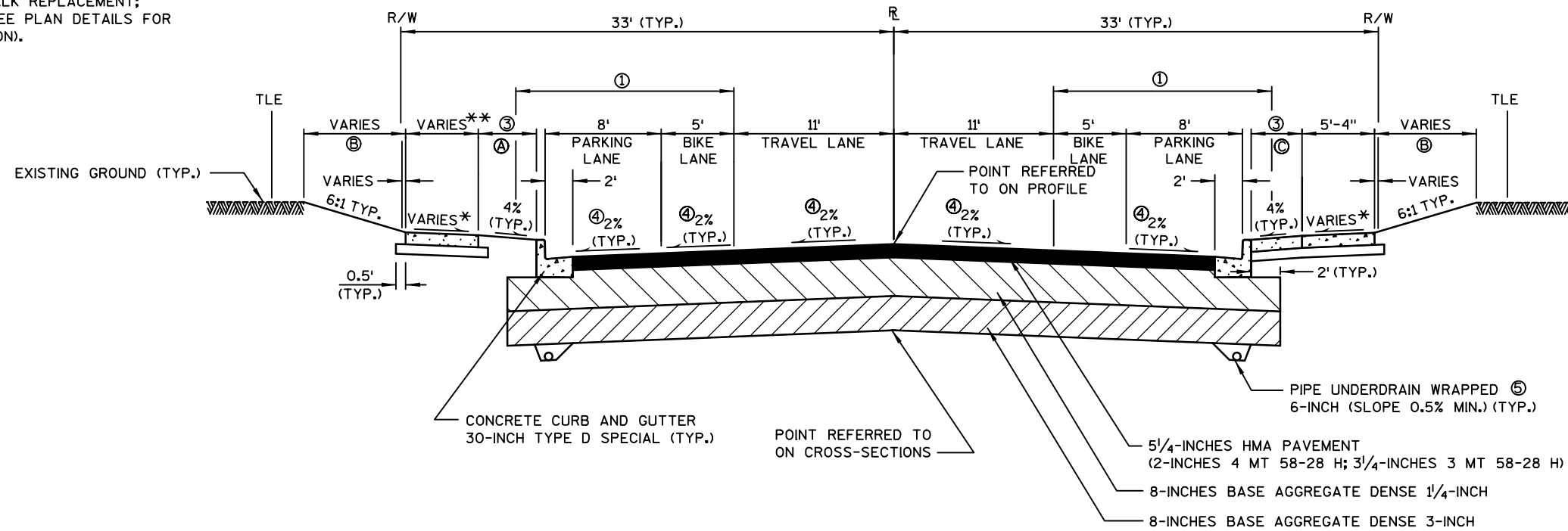


**TYPICAL FINISHED SECTION  
BUCKEYE ROAD**

STA. 103+00 TO STA. 109+22  
STA. 116+92 TO STA. 130+50

\* EXISTING CONCRETE SIDEWALK TO REMAIN (2% MAX.) OR NEW CONCRETE SIDEWALK 5-INCH (1.5% TYP.) OVER 2" BASE AGGREGATE DENSE 3/4-INCH.

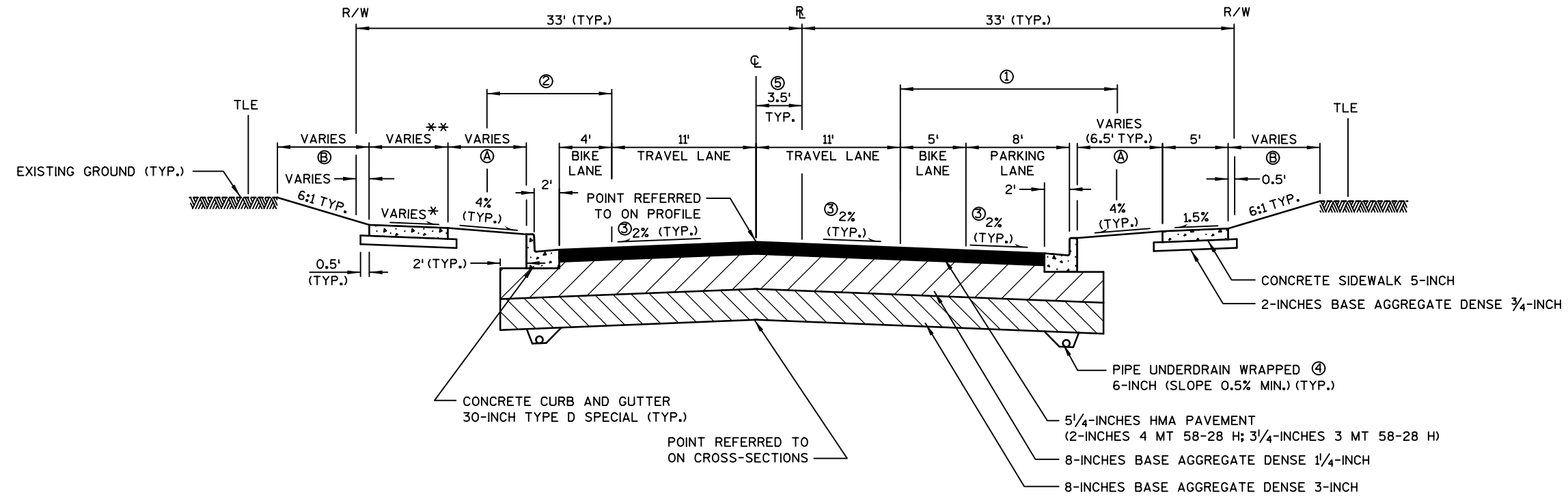
\*\* 4' IN AREAS OF SIDEWALK REPLACEMENT; 5' IF NEW SIDEWALK (SEE PLAN DETAILS FOR ADDITIONAL INFORMATION).



**TYPICAL FINISHED SECTION  
BUCKEYE ROAD**

STA. 109+22 TO STA. 116+92

- ① 15' LATERAL CLEARANCE MIN. (2' BEYOND FACE OF CURB)
- ② 8' LATERAL CLEARANCE MIN. (2' BEYOND FACE OF CURB)
- ③ VARIES (3' TYP.)
- ④ VARIES FROM 1 TO 2 PERCENT. SEE PLAN DETAIL SHEETS FOR ADDITIONAL INFORMATION.
- ⑤ INSTALL PIPE UNDERDRAIN AT PROPOSED LOW POINTS. SEE MISCELLANEOUS QUANTITIES FOR LOCATIONS AND CONSTRUCTION DETAILS FOR ADDITIONAL INFORMATION.
- ⑥ SEE PLAN DETAIL SHEETS FOR CROWN TRANSITION LOCATIONS
- Ⓐ TOPSOIL; FERTILIZER TYPE B; SOD LAWN.
- Ⓑ TOPSOIL; FERTILIZER TYPE B; SEEDING MIXTURE NO. 40; AND EROSION MAT URBAN CLASS 1 TYPE A.
- Ⓒ CONCRETE SIDEWALK 5-INCH (4% TYP.) OVER 2-INCHES BASE AGGREGATE DENSE 3/4-INCH



**TYPICAL FINISHED SECTION  
BUCKEYE ROAD**

STA. 130+50 TO STA. 144+00

\* EXISTING CONCRETE SIDEWALK TO REMAIN (2% MAX.)  
OR NEW CONCRETE SIDEWALK 5-INCH (1.5% TYP.)  
OVER 2" BASE AGGREGATE DENSE 3/4-INCH.

\*\* 4' IN AREAS OF SIDEWALK REPLACEMENT;  
5' IF NEW SIDEWALK (SEE PLAN DETAILS FOR  
ADDITIONAL INFORMATION).

- ① 15' LATERAL CLEARANCE MIN.  
(2' BEYOND FACE OF CURB)
- ② 8' LATERAL CLEARANCE MIN.  
(2' BEYOND FACE OF CURB)
- ③ VARIES FROM 1 TO 2 PERCENT.  
SEE PLAN DETAIL SHEETS FOR  
ADDITIONAL INFORMATION.
- ④ INSTALL PIPE UNDERDRAIN AT  
PROPOSED LOW POINTS. SEE  
MISCELLANEOUS QUANTITIES  
FOR LOCATIONS AND  
CONSTRUCTION DETAILS FOR  
ADDITIONAL INFORMATION.
- ⑤ SEE PLAN DETAIL SHEETS FOR  
CROWN TRANSITION LOCATIONS
- Ⓐ TOPSOIL; FERTILIZER TYPE B;  
SOD LAWN.
- Ⓑ TOPSOIL; FERTILIZER TYPE B;  
SEEDING MIXTURE NO. 40;  
AND EROSION MAT URBAN  
CLASS I TYPE A.