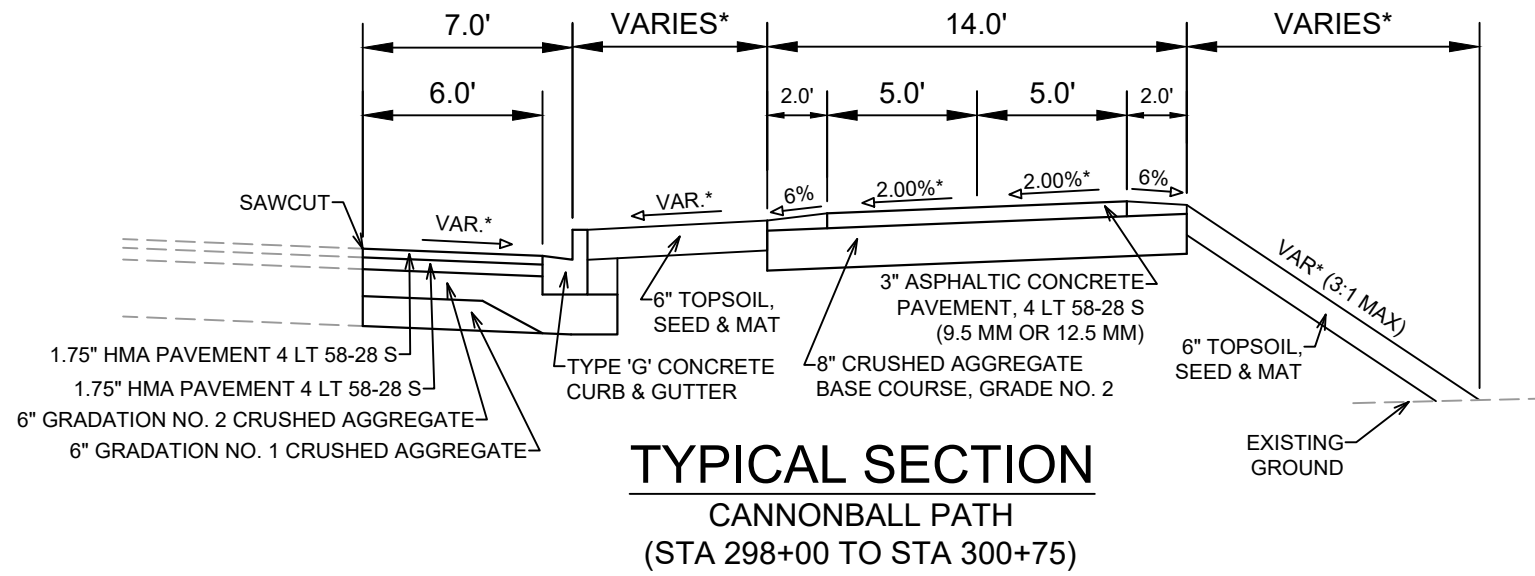


TYPICAL SECTION
CANNONBALL PATH
(STA 295+00 TO STA 298+00)



TYPICAL SECTION
CANNONBALL PATH
(STA 298+00 TO STA 300+75)

NOTES:

* SEE PLAN AND CROSS-SECTIONS FOR DETAILS AND DIMENSIONS

** TLE = TEMPORARY LIMITED EASEMENT; PLE = PERMANENT LIMITED EASEMENT; SEE RECORDED DOC. ????????

**PATH ADJACENT TO BOWMAN PARK
~ FROM STA 290+00 TO STA 303+50**

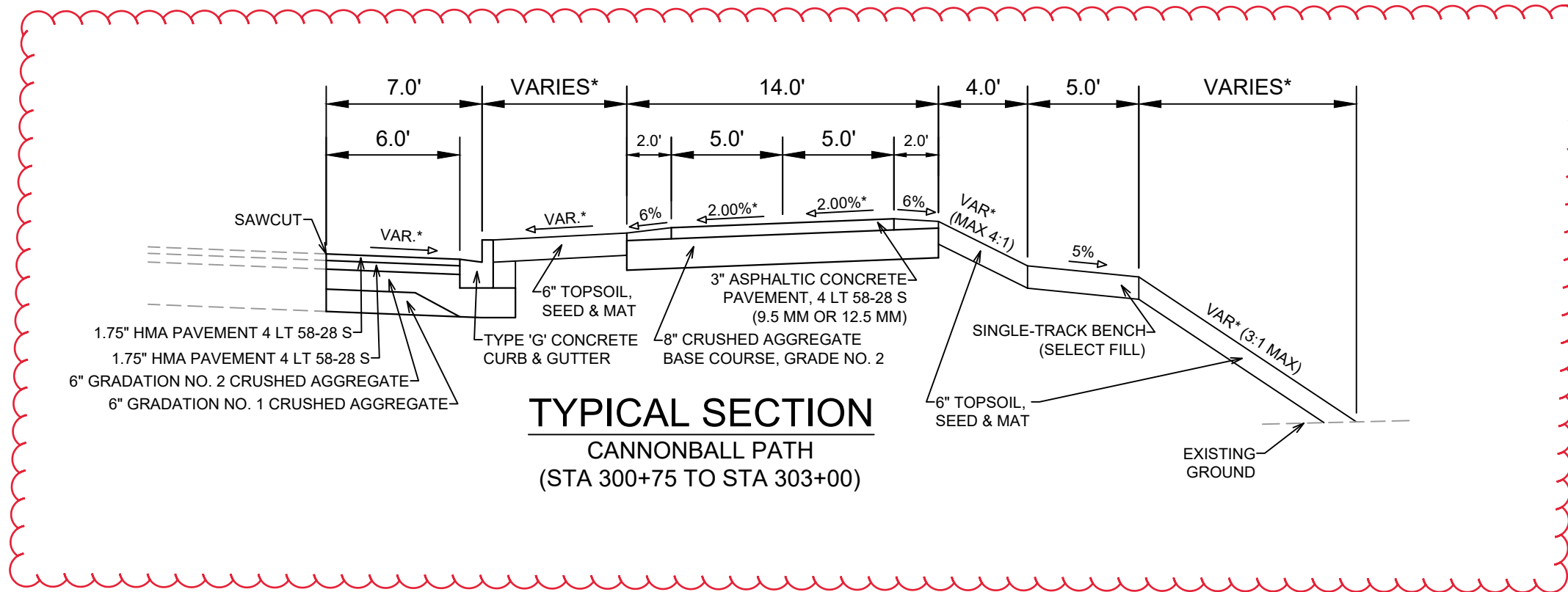
MARK	REVISION	DATE	BY
10153		11/16/2021 3:21 PM	Custom
Designed By: AJC		Scale: Custom	
Date: 11/16/2021 3:21 PM		D-2	

10153
MADISON, WI
7431
CONTRACT NO:

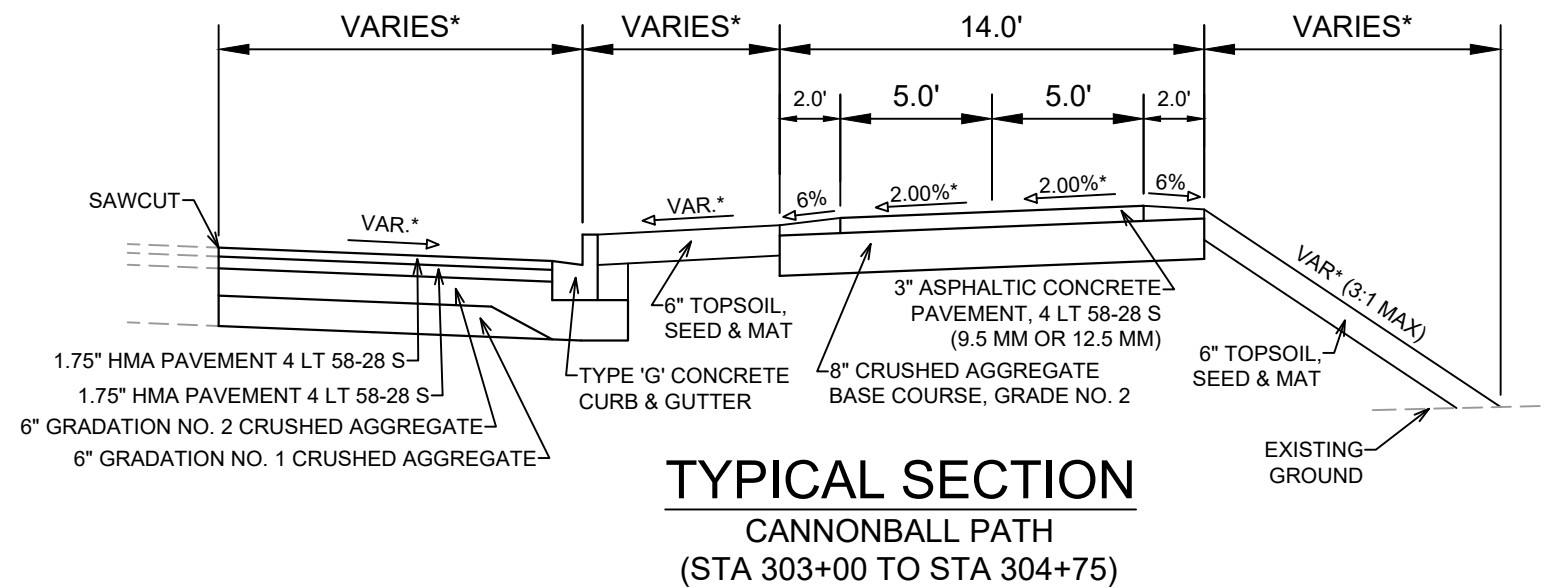
TYPICAL SECTIONS
CANNONBALL PATH - PHASE 6
I:\gisserver\id\DESIGN\Projects\10153\CAD\Streets\10153EN-Details.dwg



10153
D-2



TYPICAL SECTION
CANNONBALL PATH
 (STA 300+75 TO STA 303+00)



TYPICAL SECTION
CANNONBALL PATH
 (STA 303+00 TO STA 304+75)

NOTES:

* SEE PLAN AND CROSS-SECTIONS FOR DETAILS AND DIMENSIONS

** TLE = TEMPORARY LIMITED EASEMENT; PLE = PERMANENT LIMITED EASEMENT; SEE RECORDED DOC. ????????

PATH ADJACENT TO BOWMAN PARK
~ FROM STA 290+00 TO STA 303+50



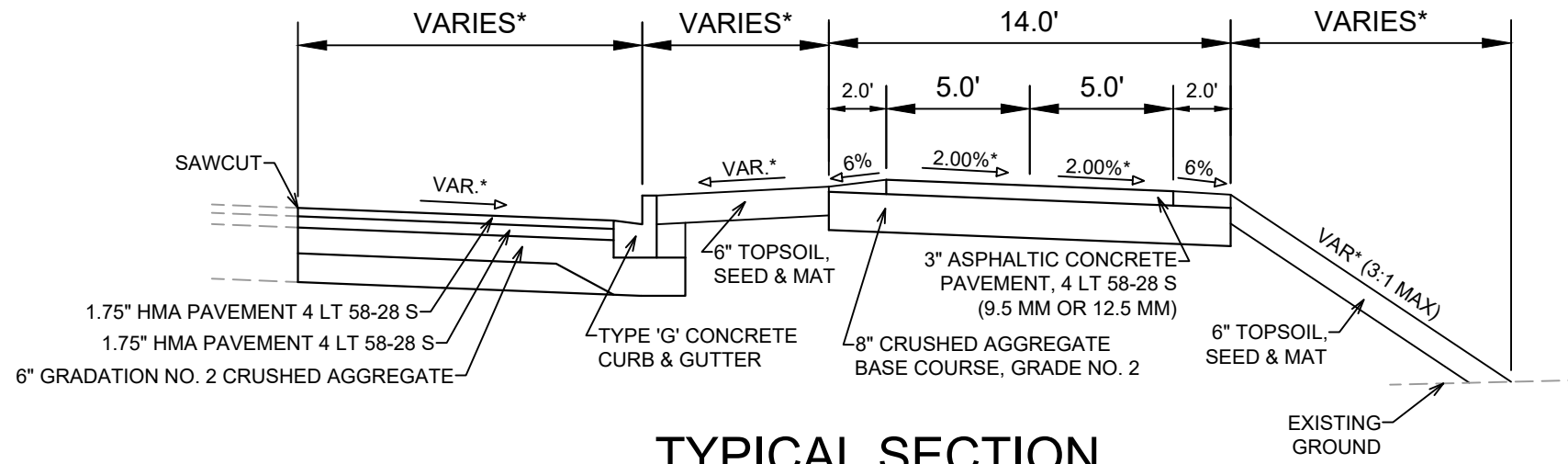
MARK	REVISION	DATE	BY
10153	11/16/2021	3:21 PM	Custom
Designed By: AJC	Date:	11/16/2021	3:21 PM
Scale:	Custom		
			D-3

10153
 MADISON, WI
 7431
 CONTRACT NO:

TYPICAL SECTIONS
 CANNONBALL PATH - PHASE 6
 I:\gisserver\id\DESIGN\Projects\10153\CAD\Streets\10153EN-Details.dwg

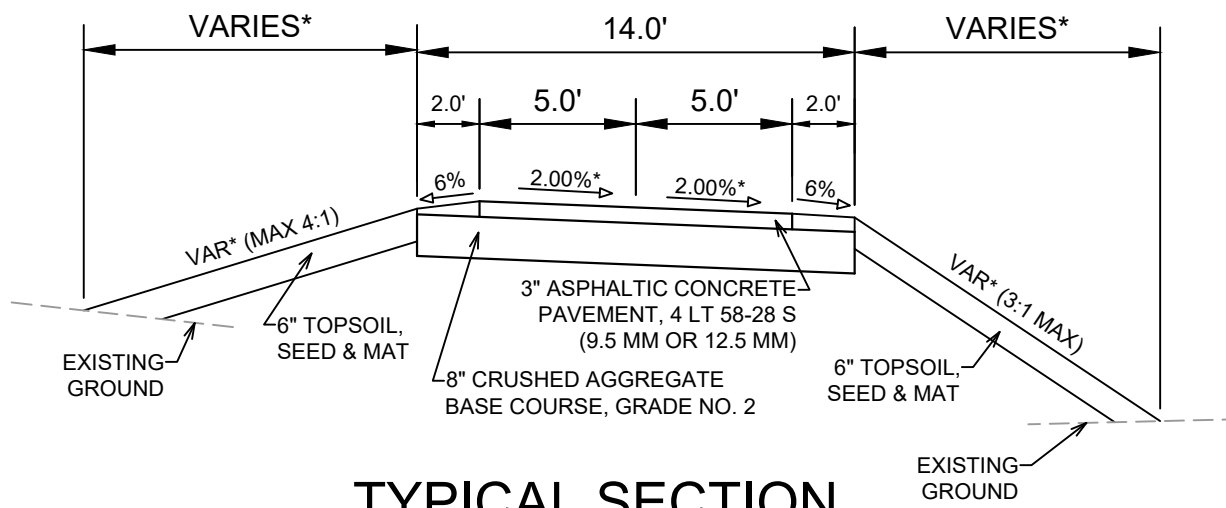


10153
 D-3



TYPICAL SECTION
 CANNONBALL PATH
 (STA 304+75 TO STA 305+63)

**PATH ADJACENT TO BOWMAN PARK
 ~ FROM STA 290+00 TO STA 303+50**



TYPICAL SECTION
 CANNONBALL PATH
 (STA 305+63 TO STA 308+82)

NOTES:

- * SEE PLAN AND CROSS-SECTIONS FOR DETAILS AND DIMENSIONS
- ** TLE = TEMPORARY LIMITED EASEMENT; PLE = PERMANENT LIMITED EASEMENT; SEE RECORDED DOC. ????????

MARK	REVISION	DATE	BY
10153			
Designed By: AJC	Date: 11/16/2021 3:21 PM	Scale: Custom	D-4

10153
 MADISON, WI
 CONTRACT NO: 7431

TYPICAL SECTIONS
 CANNONBALL PATH - PHASE 6
 I:\gisserver\nd\DESIGN\Projects\10153\CAD\Streets\10153EN-Details.dwg



10153
 D-4