

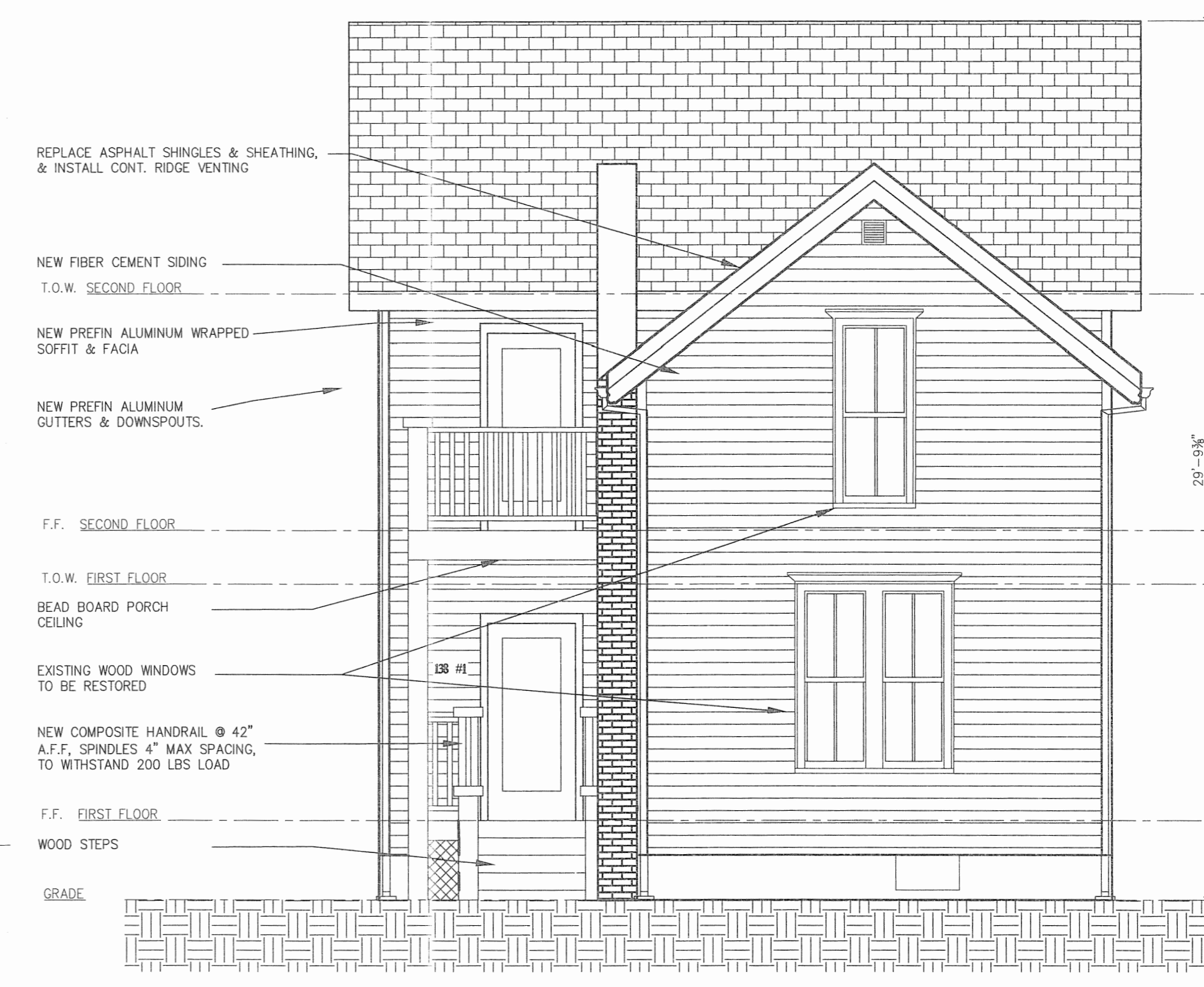








**NORTH SIDE ELEVATION**  
SCALE: 1/4" = 1'-0"

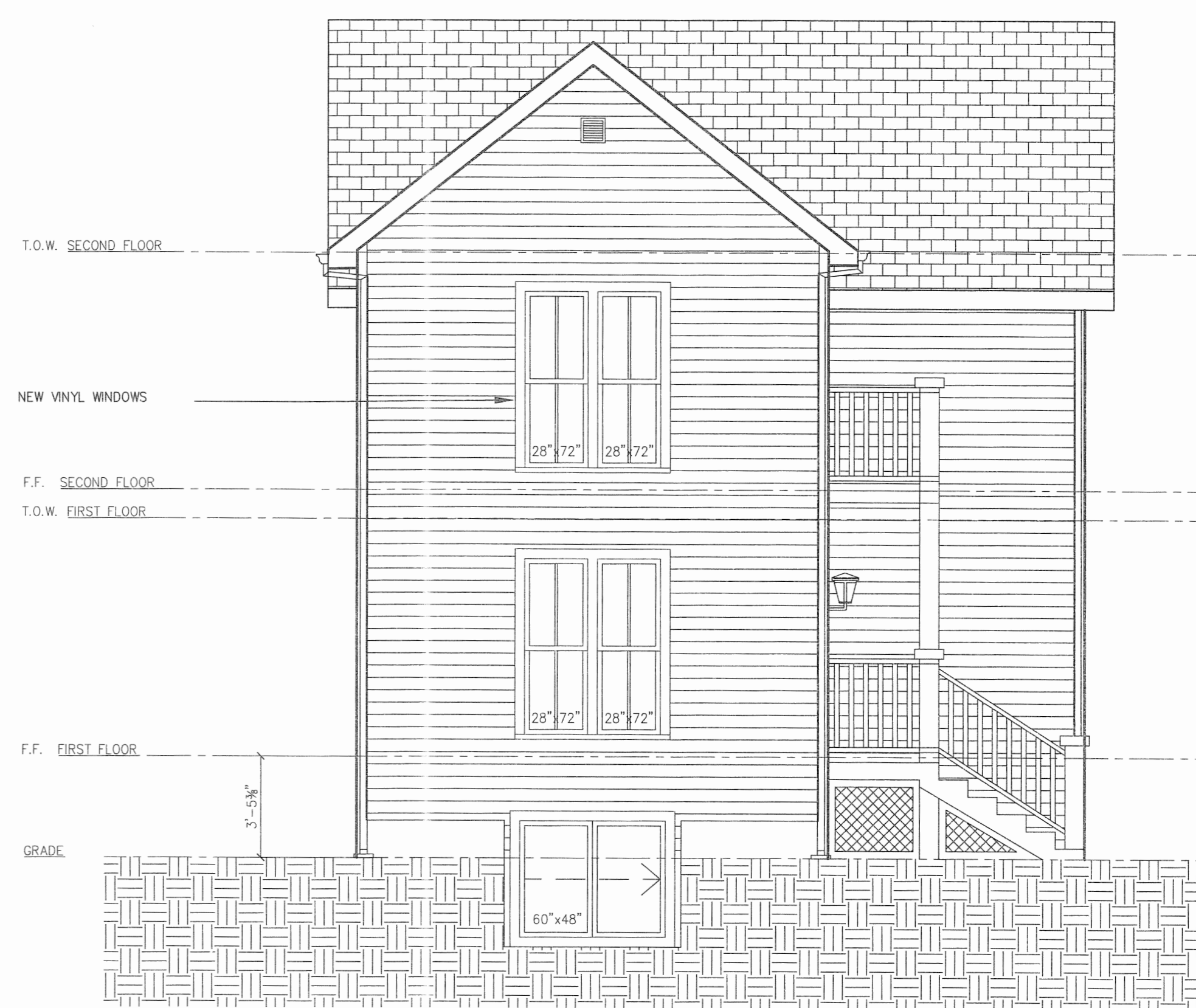


**FRONT ELEVATION**  
SCALE: 1/4" = 1'-0"

\* NOTES APPLY TO ALL ELEVATIONS



**SOUTH SIDE ELEVATION**  
SCALE: 1/4" = 1'-0"



**REAR ELEVATION**  
SCALE: 1/4" = 1'-0"

**FRANKLIN STREET HOUSE**  
138 SOUTH FRANKLIN STREET  
MADISON, WI 53703

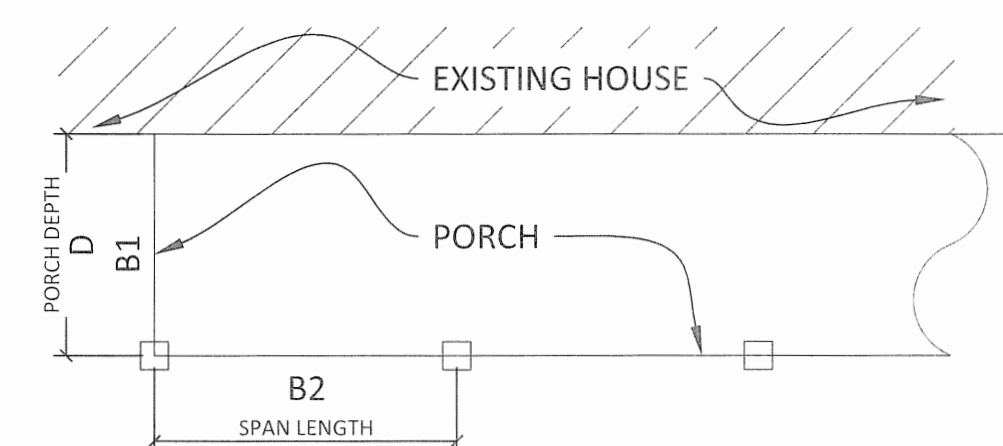
2016.05.16	LANDMARKS COMMISSION
2016.12.09	PRELIMINARY PRICING SET
2017.01.25	ISSUED FOR PERMIT

Revisions	
Issue Date:	2017.01.25
Project No.	x
Drawn:	DMK
Checked:	x
Approved:	x

**Sheet Title**  
133 S. Franklin St.  
ELEVATIONS

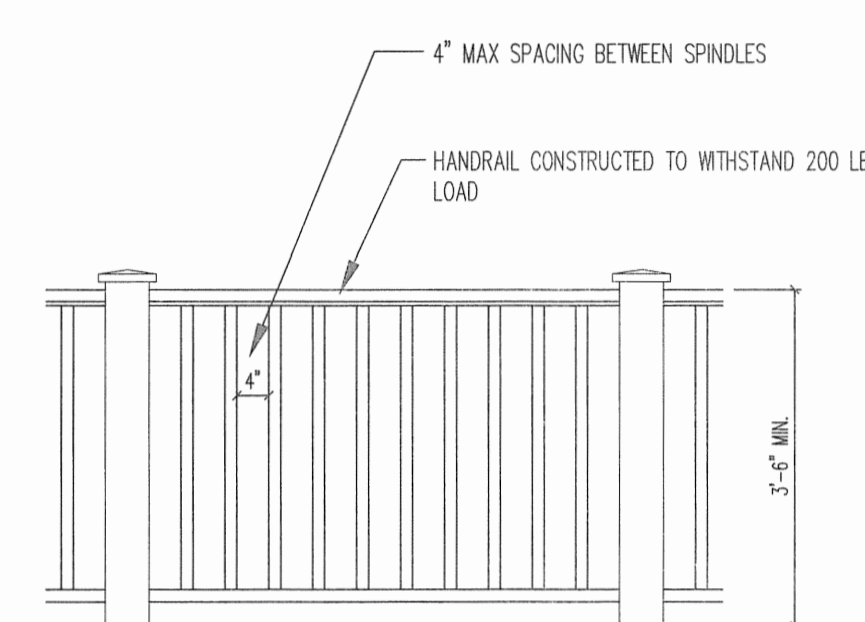
**Sheet No.**  
**A301**



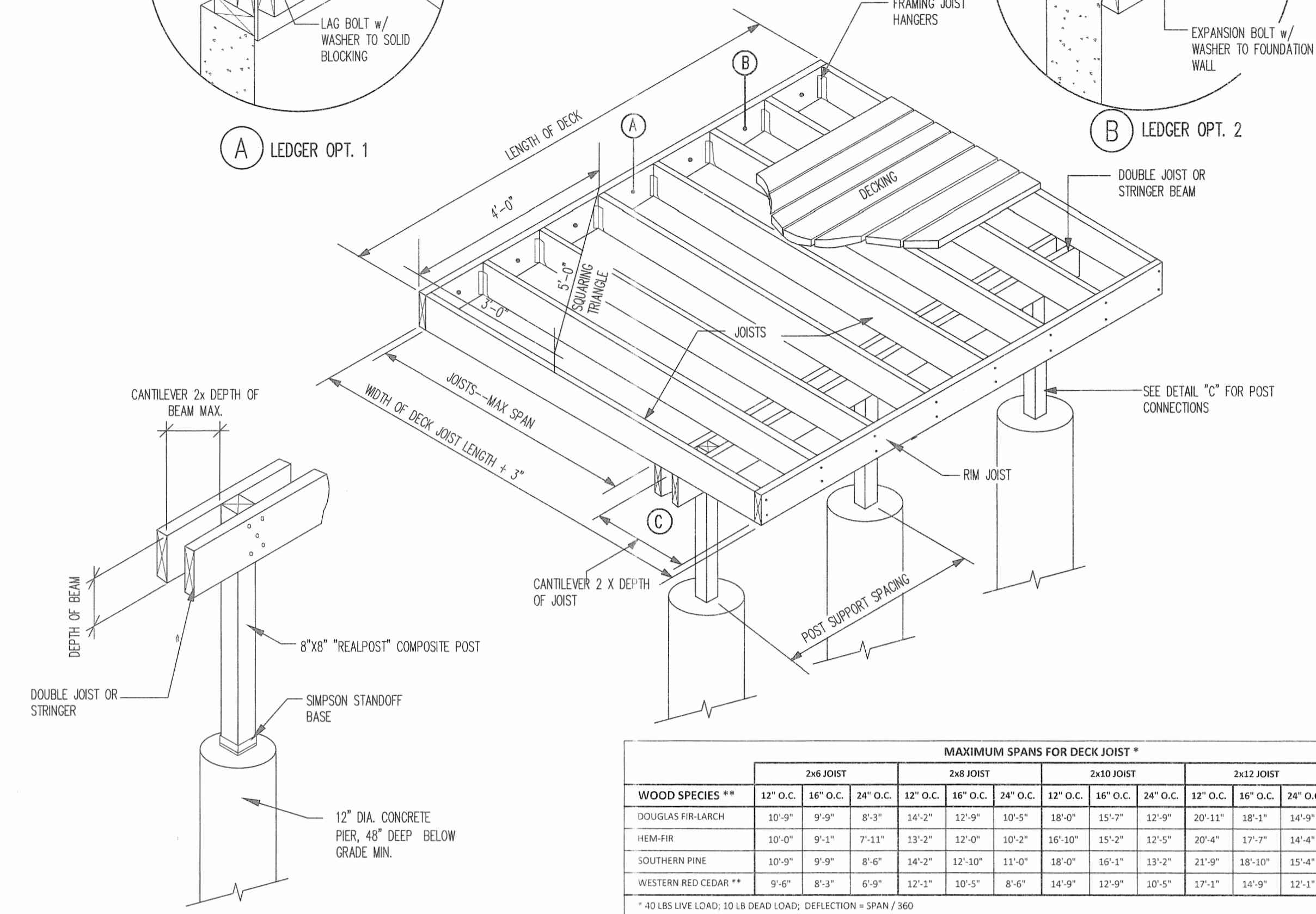
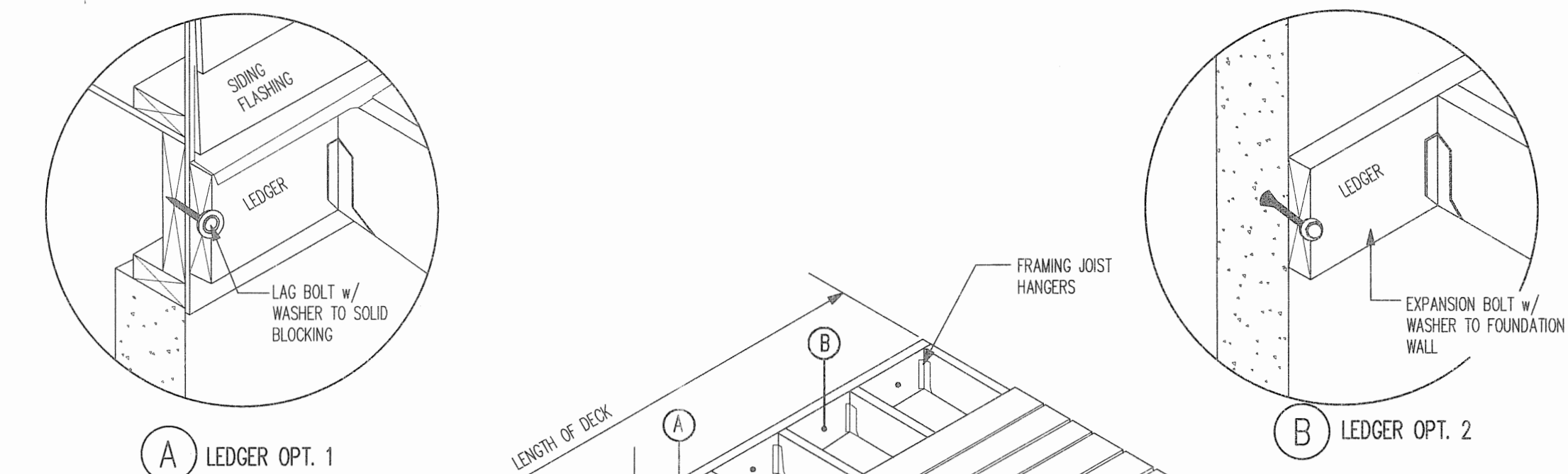


PORCH DEPTH (D)	BEAM (B1)	SPAN LENGTH (B2)				
		L=6'-0"	L=8'-0"	L=10'-0"	L=12'-0"	L=14'-0"
6'-0"	(2) 2x8	(2) 2x8 (2) 2x10	(3) 2x10 (2) 2x12	(3) 2x10 (2) 2x12	(3) 2x12 (2) 1 3/4x9 1/2 LVL	(3) 2x12 (2) 1 3/4x9 1/2 LVL
8'-0"	(2) 2x8	(2) 2x8 (2) 2x10	(3) 2x8 (2) 2x10	(3) 2x10 (2) 1 3/4x9 1/2 LVL	(3) 2x12 (2) 1 3/4x9 1/2 LVL	(4) 2x12 (2) 1 3/4x9 1/2 LVL
10'-0"	(3) 2x8 (2) 2x10	(2) 2x8 (2) 2x10	(3) 2x10 (2) 2x12	(3) 2x10 (2) 1 3/4x9 1/2 LVL	(3) 2x12 (2) 1 3/4x9 1/2 LVL	(4) 2x12 (2) 1 3/4x9 1/2 LVL
12'-0"	(2) 2x10	(2) 2x10	(3) 2x10 (2) 1 3/4x9 1/2 LVL	(3) 2x12 (2) 1 3/4x9 1/2 LVL	(3) 1 3/4x9 1/2 LVL (2) 1 3/4x11 1/2 LVL	(3) 1 3/4x9 1/2 LVL (2) 1 3/4x11 1/2 LVL
14'-0"	(3) 2x10 (2) 2x12	(2) 2x10	(3) 2x10 (2) 2x12	(3) 2x12 (2) 1 3/4x9 1/2 LVL	(3) 2x12 (2) 1 3/4x9 1/2 LVL	(3) 1 3/4x11 1/2 LVL (2) 1 3/4x14 1/2 LVL

3  
A402

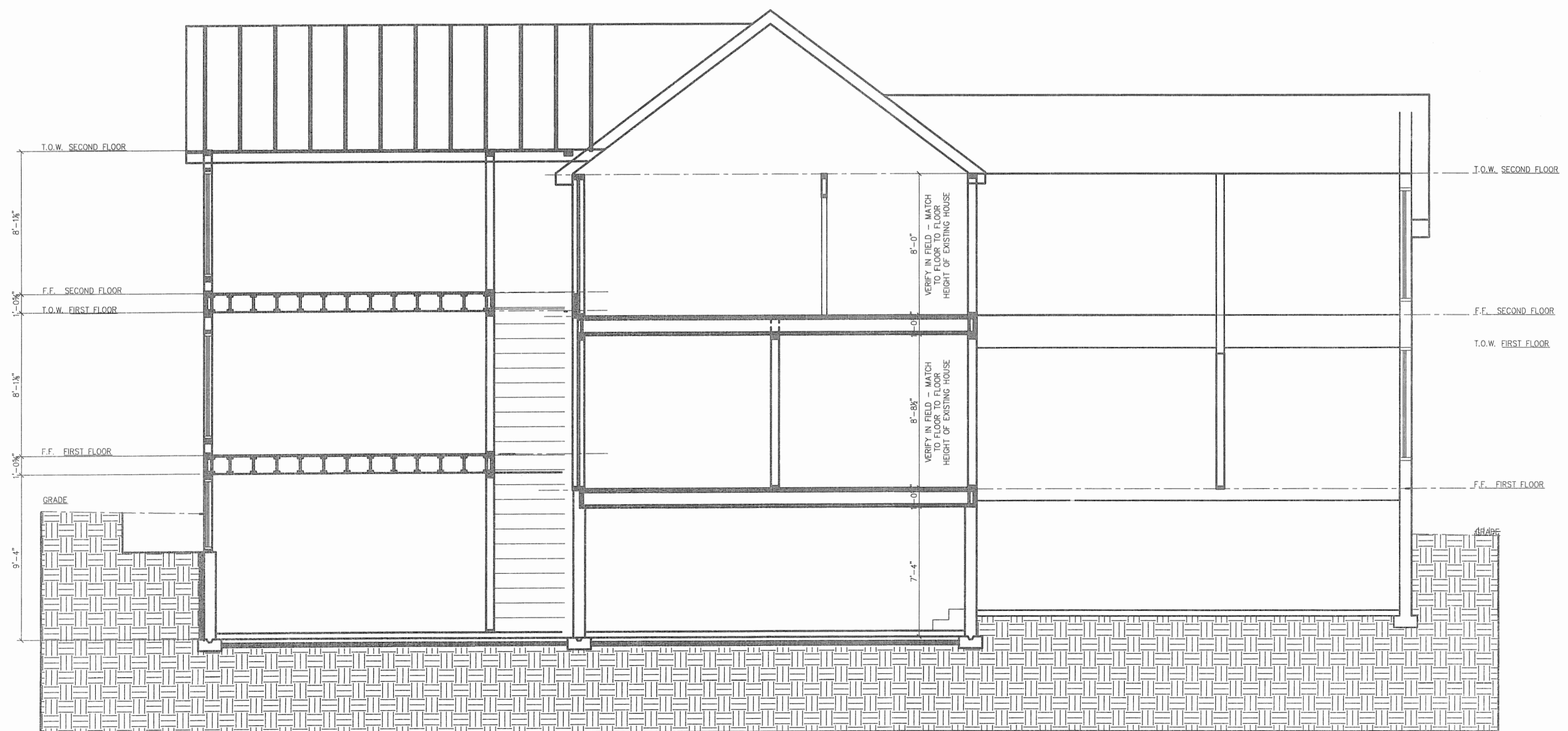


4 RAILING DETAIL  
1/2" - 1'-0"

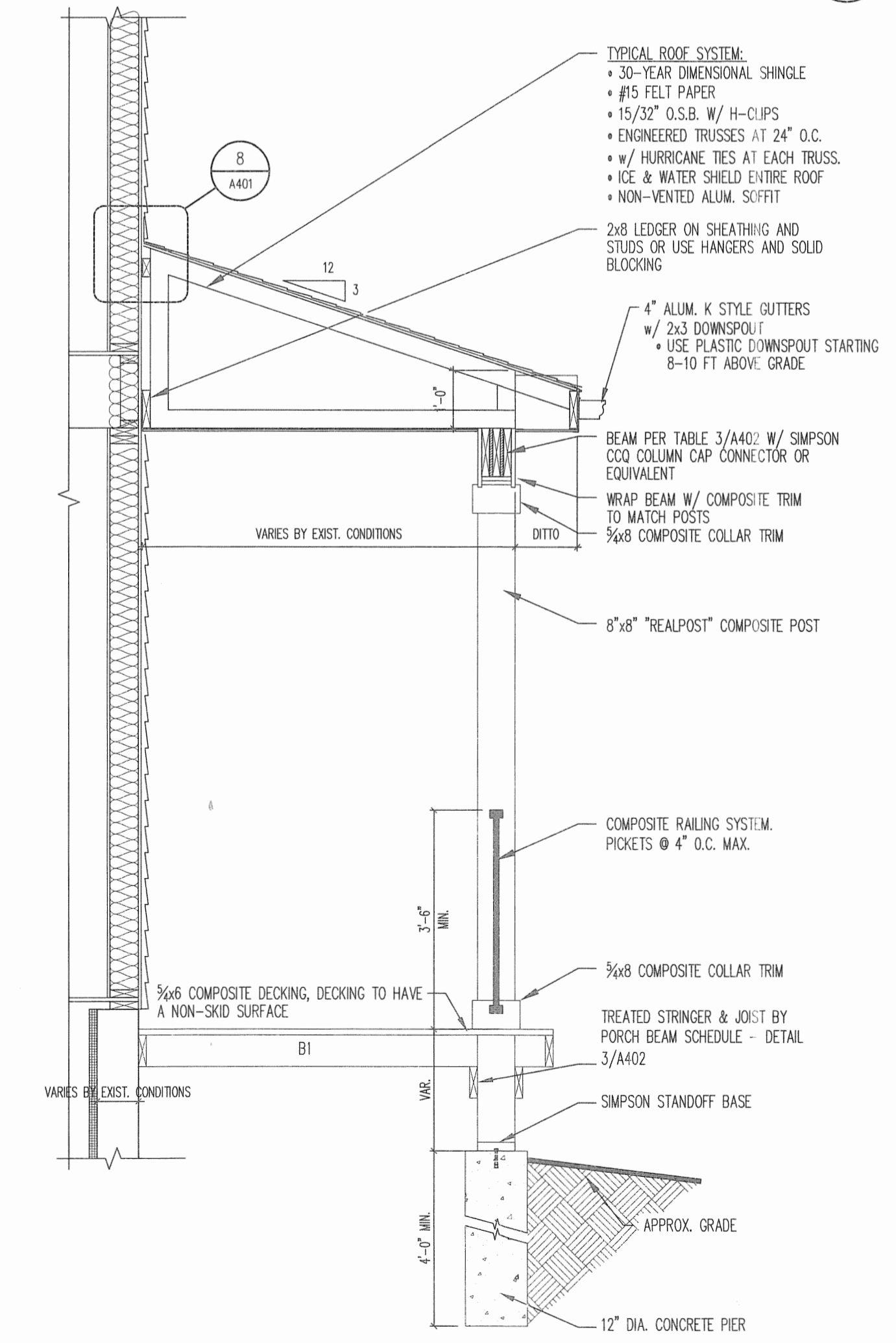


WOOD SPECIES **	2x6 JOIST		2x8 JOIST		2x10 JOIST		2x12 JOIST	
	12" O.C.	16" O.C.	16" O.C.	24" O.C.	16" O.C.	24" O.C.	16" O.C.	24" O.C.
DOUGLAS FIR-LARCH	10'-9"	9'-9"	8'-3"	14'-2"	12'-9"	10'-5"	18'-0"	15'-7"
HEM-FIR	10'-0"	9'-1"	7'-11"	13'-2"	12'-0"	10'-2"	16'-10"	15'-2"
SOUTHERN PINE	10'-9"	9'-9"	8'-6"	14'-2"	12'-0"	11'-0"	18'-0"	15'-4"
WESTERN RED CEDAR **	9'-6"	8'-3"	6'-9"	12'-1"	10'-5"	8'-6"	14'-9"	12'-9"

1 PORCH & DECK DETAILS  
A402



LONGITUDINAL SECTION  
SCALE: 1/4" = 1'-0"



2 TYP. PORCH & DECK SECTION  
A402

FRANKLIN STREET HOUSE  
 138 SOUTH FRANKLIN STREET  
 MADISON, WI 53703

Revisions
2016.05.16 LANDMARKS COMMISSION
2016.12.09 PRELIMINARY PRICING SET
2017.01.25 ISSUED FOR PERMIT

Issue Date: 2017.01.25  
 Project No. x  
 Drawn: DMK  
 Checked: x  
 Approved: x

Sheet Title  
 133 S. Franklin St.  
 PORCH & DECK DETAILS

Sheet No.  
**A402**