

Luminaire Schedule						
Symbol	Tag	Qty	Description	LLF	Lum. Watts	Lum. Lumens
	B1	38	LB6047_871-US-T2-2-500-830	0.850	13.5	1418
	L1	9	V2SEALPDI-EPDO-ASIO-80-350-350-4FT	0.850	27.63	2802
	L2	52	MOMO Silver Anodised Diffused Cover R007(k-line) 520mm	0.850	3.5	119
	L3	14	Acolyte_Neon Contour	0.850	9.53	473
	L4	8	FC_FCD7002	0.850	28.01	2899
	R1	18	P3SDLO5930MCLZ10U	0.850	10.6	539
	R2	8	MMD-3-T-01-BA-L48-30-9002-RT Driver set to 700ma_ Operating at 120v AC and 60 Hz	0.850	9.8	561
	R3	3	Specialty_2122_4 watt	0.850	4	102
	S1	26	FC_FCCSQ400SQWUD	0.850	11.4	1799
	S2	5	GBS-A01-830-T2M	0.850	10.2	1483
	S3	16	FC_FCSL495	0.850	6	369

Calculation Summary							
Label	CalcType	Units	Avg	Max	Min	Avg/Min	Max/Min
COURTYARD	Illuminance	Fc	0.91	21.2	0.1	9.10	212.00
GROUND	Illuminance	Fc	3.29	160.6	0.0	NA	NA
PLANTER_6_Top_I	Illuminance	Fc	8.21	33.4	0.7	11.73	47.71
PLANTER_Top_I	Illuminance	Fc	7.61	25.9	0.6	12.68	43.17
PROPERTY LINE 4FT AFF	Illuminance	Fc	0.02	0.4	0.0	NA	NA



Chicago Lightworks
 505 Warrenville Rd.
 Suite 101
 Lisle, IL 60532

Prepared For:
Julie Blankenheim

Rev	Date	Comments
-	-	-
-	-	-
-	-	-
-	-	-
-	-	-

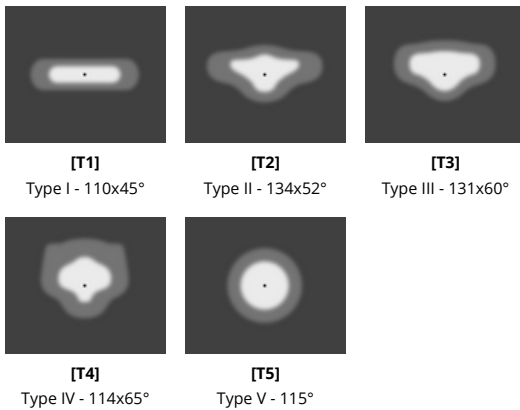
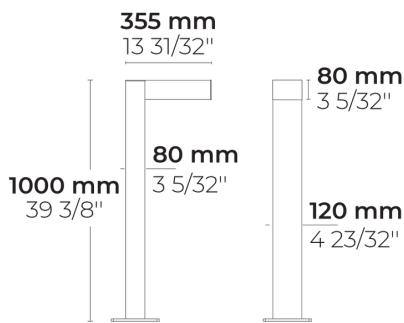
Project Name: **CHAPTER MIFFLIN**
 NOT TO SCALE
 Date: **10/7/2024**

DOMINI AFX MIDI 1 Module

LB6047.871-US



IK08 IP66



Configurations

Light distribution	[T1] 110x45°, [T2] 134x52°, [T3] 131x60°, [T4] 114x65°, [T5] 115°
Delivered lumens flux	944 - 1913 lm
Rated input power	10 - 18 W
Color temperature	2700 K CRI 80, 3000 K CRI 80, 4000 K CRI 80
BUG rating	B1-U0-G0, B0-U0-G0, B1-U0-G1
Lifetime L90 (hour)	>102,000

Options

Control	On/Off, 0-10V
Product colors	
Height	3.3'

Extras

Light output options	Backlight Shield
Luminaire body options	Double powder coating

Technical information

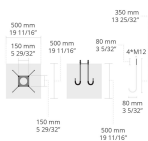
Listings and Ratings	DarkSky Friendly, Product is NRTL listed suitable for wet locations in US and Canada in accordance with UL1598. Luminaire performance tests have been conducted in accordance with IES LM-79-08 standards.
Mounting	Surface mountable
Housing	Corrosion resistant, extruded, marine grade aluminum housing
Finishing	Chromate conversion pretreatment followed by electrostatic powder coating
Fasteners	Stainless steel (AISI 304 / EN 1.4301 grade)
Gasket	Liquid silicone
Lens / Reflector	PMMA lens with high optical efficiency
Glass / Diffusor	Tempered safety glass
Impact protection	IK08
Ingress protection	IP66
Input voltage	120-277V 50/60Hz
Insulation class	Class I
Weight	12.54 lbs
LED module	High power LEDs on metal-core PCB
Driver	Integral LED driver
Driver surge protection	2/2 kV
Power factor	> 0.90
Through wiring	Single power cord entry
Operating temperature	-40...50°C
Power cord	20" of outdoor use rated flexible power cord
Notes	3000K CCT or warmer must be selected to be DarkSky International certified.

HEPER USA LLC - Wisconsin HQ
 1433 N Water Street Suite 400
 Milwaukee, WI - 53202
 United States
 +1 312 910 9740
 infoUS@hepergroup.com

We reserve the right to change specifications without prior written notice. Edition: 04.10.2024. For current version visit heperlighting.com. All flux (±%7 tolerance) and power values (±%10 tolerance) are derived following appropriate IES, CIE, and applicable standards.

Accessories (To be ordered separately)

Anchor bolts






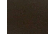



90AJ001

90AJ001

Project name		Type		Quantity	
Date		Note			

LB6047.871-US-____-____-____-____-____-____-____-____-____-____

Light distribution	Rated input power	Color temperature	Control	Product colors
[T1] Type I - 110x45°	[350] 10 W	[827] 2700 K CRI 80	[ONOFF] On/Off	[HM1]  Black
[T2] Type II - 134x52°	[500] 13.5 W	[830] 3000 K CRI 80	[0-10V] 0-10V	[HM2]  Dark gray
[T3] Type III - 131x60°	[700] 18 W	[840] 4000 K CRI 80		[HM3]  Anthracite gray
[T4] Type IV - 114x65°				[HM4]  Light gray
[T5] Type V - 115°				[HM5]  White
				[HM6]  Bronze
				[CC]  Custom color (Please specify RAL code)

Height	Extras	Accessories (<i>To be ordered separately</i>)
[H1] 3.3'	Light output	Anchor bolts
[HC]	[BS] Backlight Shield	[90AJ001] 90AJ001
	Luminaire body options	
	[DPC] Double powder coating	

Configuration code	Light distribution	Delivered lumens flux	Rated input power	Color temperature	Control
LB6047.871-US-T1-350-827	[T1] Type I - 110x45°	1013 lm	10 W	2700 K CRI 80	On/Off, 0-10V
LB6047.871-US-T1-350-830	[T1] Type I - 110x45°	1013 lm	10 W	3000 K CRI 80	On/Off, 0-10V
LB6047.871-US-T1-350-840	[T1] Type I - 110x45°	1013 lm	10 W	4000 K CRI 80	On/Off, 0-10V
LB6047.871-US-T1-500-827	[T1] Type I - 110x45°	1449 lm	13.5 W	2700 K CRI 80	On/Off, 0-10V
LB6047.871-US-T1-500-830	[T1] Type I - 110x45°	1449 lm	13.5 W	3000 K CRI 80	On/Off, 0-10V
LB6047.871-US-T1-500-840	[T1] Type I - 110x45°	1449 lm	13.5 W	4000 K CRI 80	On/Off, 0-10V
LB6047.871-US-T1-700-827	[T1] Type I - 110x45°	1872 lm	18 W	2700 K CRI 80	On/Off, 0-10V
LB6047.871-US-T1-700-830	[T1] Type I - 110x45°	1872 lm	18 W	3000 K CRI 80	On/Off, 0-10V
LB6047.871-US-T1-700-840	[T1] Type I - 110x45°	1872 lm	18 W	4000 K CRI 80	On/Off, 0-10V
LB6047.871-US-T2-2-350-827	[T2] Type II - 134x52°	991 lm	10 W	2700 K CRI 80	On/Off, 0-10V
LB6047.871-US-T2-2-350-830	[T2] Type II - 134x52°	991 lm	10 W	3000 K CRI 80	On/Off, 0-10V
LB6047.871-US-T2-2-350-840	[T2] Type II - 134x52°	991 lm	10 W	4000 K CRI 80	On/Off, 0-10V
LB6047.871-US-T2-2-500-827	[T2] Type II - 134x52°	1418 lm	13.5 W	2700 K CRI 80	On/Off, 0-10V
LB6047.871-US-T2-2-500-830	[T2] Type II - 134x52°	1418 lm	13.5 W	3000 K CRI 80	On/Off, 0-10V
LB6047.871-US-T2-2-500-840	[T2] Type II - 134x52°	1418 lm	13.5 W	4000 K CRI 80	On/Off, 0-10V
LB6047.871-US-T2-2-700-827	[T2] Type II - 134x52°	1833 lm	18 W	2700 K CRI 80	On/Off, 0-10V
LB6047.871-US-T2-2-700-830	[T2] Type II - 134x52°	1833 lm	18 W	3000 K CRI 80	On/Off, 0-10V
LB6047.871-US-T2-2-700-840	[T2] Type II - 134x52°	1833 lm	18 W	4000 K CRI 80	On/Off, 0-10V
LB6047.871-US-T3-350-827	[T3] Type III - 131x60°	944 lm	10 W	2700 K CRI 80	On/Off, 0-10V
LB6047.871-US-T3-350-830	[T3] Type III - 131x60°	944 lm	10 W	3000 K CRI 80	On/Off, 0-10V
LB6047.871-US-T3-350-840	[T3] Type III - 131x60°	944 lm	10 W	4000 K CRI 80	On/Off, 0-10V
LB6047.871-US-T3-500-827	[T3] Type III - 131x60°	1350 lm	13.5 W	2700 K CRI 80	On/Off, 0-10V
LB6047.871-US-T3-500-830	[T3] Type III - 131x60°	1350 lm	13.5 W	3000 K CRI 80	On/Off, 0-10V
LB6047.871-US-T3-500-840	[T3] Type III - 131x60°	1350 lm	13.5 W	4000 K CRI 80	On/Off, 0-10V
LB6047.871-US-T3-700-827	[T3] Type III - 131x60°	1744 lm	18 W	2700 K CRI 80	On/Off, 0-10V
LB6047.871-US-T3-700-830	[T3] Type III - 131x60°	1744 lm	18 W	3000 K CRI 80	On/Off, 0-10V
LB6047.871-US-T3-700-840	[T3] Type III - 131x60°	1744 lm	18 W	4000 K CRI 80	On/Off, 0-10V
LB6047.871-US-T4-350-827	[T4] Type IV - 114x65°	978 lm	10 W	2700 K CRI 80	On/Off, 0-10V
LB6047.871-US-T4-350-830	[T4] Type IV - 114x65°	978 lm	10 W	3000 K CRI 80	On/Off, 0-10V
LB6047.871-US-T4-350-840	[T4] Type IV - 114x65°	978 lm	10 W	4000 K CRI 80	On/Off, 0-10V
LB6047.871-US-T4-500-827	[T4] Type IV - 114x65°	1398 lm	13.5 W	2700 K CRI 80	On/Off, 0-10V
LB6047.871-US-T4-500-830	[T4] Type IV - 114x65°	1398 lm	13.5 W	3000 K CRI 80	On/Off, 0-10V
LB6047.871-US-T4-500-840	[T4] Type IV - 114x65°	1398 lm	13.5 W	4000 K CRI 80	On/Off, 0-10V
LB6047.871-US-T4-700-827	[T4] Type IV - 114x65°	1807 lm	18 W	2700 K CRI 80	On/Off, 0-10V
LB6047.871-US-T4-700-830	[T4] Type IV - 114x65°	1807 lm	18 W	3000 K CRI 80	On/Off, 0-10V
LB6047.871-US-T4-700-840	[T4] Type IV - 114x65°	1807 lm	18 W	4000 K CRI 80	On/Off, 0-10V
LB6047.871-US-T5-350-827	[T5] Type V - 115°	1035 lm	10 W	2700 K CRI 80	On/Off, 0-10V
LB6047.871-US-T5-350-830	[T5] Type V - 115°	1035 lm	10 W	3000 K CRI 80	On/Off, 0-10V
LB6047.871-US-T5-350-840	[T5] Type V - 115°	1035 lm	10 W	4000 K CRI 80	On/Off, 0-10V

LB6047.871-US-T5-500-827	[T5] Type V - 115°	1480 lm	13.5 W	2700 K CRI 80	On/Off, 0-10V
LB6047.871-US-T5-500-830	[T5] Type V - 115°	1480 lm	13.5 W	3000 K CRI 80	On/Off, 0-10V
LB6047.871-US-T5-500-840	[T5] Type V - 115°	1480 lm	13.5 W	4000 K CRI 80	On/Off, 0-10V
LB6047.871-US-T5-700-827	[T5] Type V - 115°	1913 lm	18 W	2700 K CRI 80	On/Off, 0-10V
LB6047.871-US-T5-700-830	[T5] Type V - 115°	1913 lm	18 W	3000 K CRI 80	On/Off, 0-10V
LB6047.871-US-T5-700-840	[T5] Type V - 115°	1913 lm	18 W	4000 K CRI 80	On/Off, 0-10V

VIA 2 SEAL

WALL

DIRECT, DIRECT/INDIRECT

STATIC WHITE, BIOS ST/DY

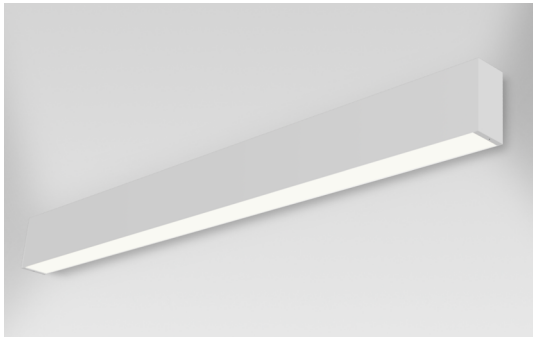
VIA WEATHER SERIES

LUMENWERX



Project: _____

Type: _____



DESCRIPTION

Sealed with silicone gaskets, Via Seal fixtures are intended for wet locations and can be pendant, surface, wall, or recessed mounted. They can act alone as discrete luminaires, or be arranged in continuous lines or patterns. Via 2 Seal is suitable for wet locations where temperatures are moderate and in which spaces are regularly wiped down and frequently in contact with debris and/or moisture. These luminaires can be used to create continuous, unbroken lines of light. See separate spec sheets for patterns and other available mountings.

SENSORS
For latest information on sensors, click [here](#).



IMPORTANT:
Fixture must be installed with direct lens facing down.



Up to 108 lm/W performance

Order Guide

LUMINAIRE ID	DISTRIBUTION	ENVIRONMENT ¹	DIRECT OPTIC	INDIRECT OPTIC Specify NA for Direct fixture	LIGHT SOURCE ⁴
V2SEALW		WET			
V2SEALW - Via 2" Seal Wall	D - Direct DI - Direct/Indirect	WET ² - Wet Suitable (IP44) ¹ See page 3 for more information. ² Suitable for outdoor environments only when installed under canopy. Not suitable for extreme weather environments. Consult factory for low temperature applications.	EPDO - Environmentally Protected Direct Optic ASDO - Asymmetric Soft Direct Optic	EPIO - Environmentally Protected Indirect Optic ASIO ³ - Asymmetric Soft Indirect Optic WIO2 ³ - Widespread Indirect Optic NA - Not applicable ³ Not available with BIOS.	SW - Static white BIOSST - Static biologically-optimized lighting BIOSDY - Dynamic biologically-optimized lighting ⁴ Chromawerx Solo and Duo also available. Consult other spec sheet.

CRI	DIR. LUM. PACK.	INDIR. LUM. PACK. Specify NA for Direct fixture	COLOR TEMP.	LUMINAIRE LENGTH	VOLTAGE	DRIVER ¹²
80 - 80 CRI 90 ⁵ - 90 CRI	350 - Low output 350 lm/ft 500 - Medium output 500 lm/ft 750 ⁶ - High output 750 lm/ft	350 - Low output 350 lm/ft 500 - Medium output 500 lm/ft 750 ⁷ - High output 750 lm/ft NA - Not applicable	27 ⁸ - 2700K 30 - 3000K 35 - 3500K 40 - 4000K 50 ⁸ - 5000K	#FT#IN ^{9,10} - Specify nominal length (#) in 1' and/or 1" increments Standard nominal lengths: Single units: 2' - 12' Continuous runs: lengths over 12'	120 - 120V 277 - 277V UNV - 120V-277V 347 ¹¹ - 347V	D1 - 1% 0-10V DA ¹³ - DALI LTEA2W ¹⁴ - Lutron 1% - 2 wire FP 120V LDE1 ¹⁵ - Lutron Hi-lume 1% Eco ELD1 - eldoLED 1% ECOdrive 0-10V ELD0 - eldoLED 0.1% SOLOdrive 0-10V RLTD10 ¹⁵ - Low-temperature 10% 0-10V
⁵ Not available with BIOS.	⁶ Not available with BIOS.	⁷ Not available with BIOS.	⁸ Not available with BIOS.	⁹ Minimum 3' for Direct/Indirect models. ¹⁰ With BIOSDY, specify in 2' increments only.	¹¹ Available with D1 only.	¹² PoE (Power-over-Ethernet) compatible. Consult factory for details. ¹³ On-site commissioning is required. ¹⁴ Available with 120V only. ¹⁵ Remote driver box required. Suitable for temperatures down to -40°C/F.

ELECTRICAL	ELECTRICAL SECTIONS (optional) ^{21,22}	POWER FEED	MOUNTING	FINISH	OPTIONS
1C - 1 circuit 2C ¹⁶ - 2 circuits #MC ¹⁷ - Multi circuit EC - Emergency-powered fixture NL - Night light fixture DL - Daylight fixture GTD ^{18,19,20} - Generator transfer device fixture	#EC## ²³ - Emergency-powered section #NL## ²³ - Night light section #DL## ²³ - Daylight section #GTD## ^{23,24,25,26} - Generator transfer device section #EMB ^{25,26,27} - Emergency battery NA - None	BF - Back feed TF - Top feed EF - End feed	DMB - Drywall mounting bracket MMB - Mullion mounting bracket	W - Matte white AL - Aluminum WA - White antimicrobial Silverwerx CF# - Custom finish, specify RAL#	NATA - Natatorium finish CRF - Corrosion-resistant finish NA - None
¹⁶ Available for Direct/Indirect only. Separate direct and indirect circuits. ¹⁷ Specify total number of circuits (#), including any circuits required for electrical section options. Provide drawing or layout specifications. Minimum 4' section per circuit. ¹⁸ Minimum 4' fixture. ¹⁹ Not available with 347V. ²⁰ Not available for environments where the ambient temperature falls below 0°C (32°F).	²¹ Specify with multi circuit (#MC) electrical option only. ²² Provide drawing or layout specifications. Consult factory for other configurations. Default section length is 4'. ²³ Specify quantity (#), and section length in inches (##). ²⁴ Minimum 4' section. ²⁵ Not available with 347V. ²⁶ Not available for environments where the ambient temperature falls below 0°C (32°F). ²⁷ Specify quantity (#). All batteries will be on the same circuit. Each battery powers a 4' section. For Direct/Indirect, minimum 8' fixture.				

3737 Cote Vertu St-Laurent, Quebec, Canada H4R 2C9
T (514) 225-4304 F (514) 931-4862
www.lumenwerx.com



Lumenwerx reserves the right to modify product specifications without notification.
© Lumenwerx, ULC. All rights reserved.
VIA2SEAL-WALL-SPEC-REV3 September 2, 2022



VIA 2 SEAL

LUMENWERX

WALL

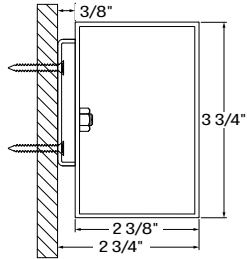
DIRECT, DIRECT/INDIRECT

STATIC WHITE, BIOS ST/DY

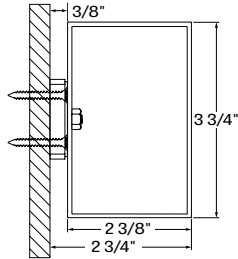
VIA WEATHER SERIES

Section Views

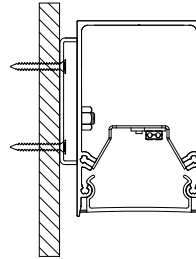
DIRECT



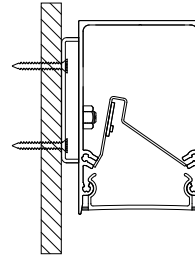
DMB - Drywall mounting bracket



MMB - Mullion mounting bracket

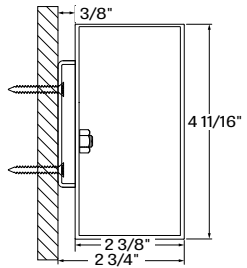


EPDO

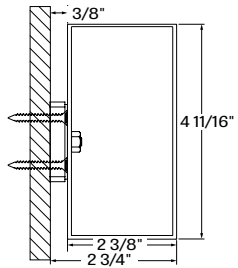


ASDO

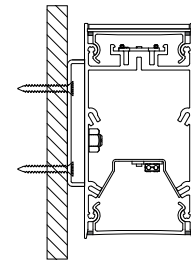
DIRECT/INDIRECT



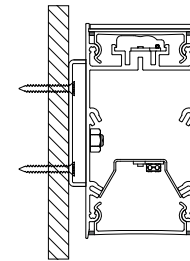
DMB - Drywall mounting bracket



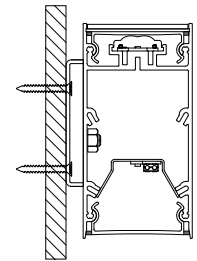
MMB - Mullion mounting bracket



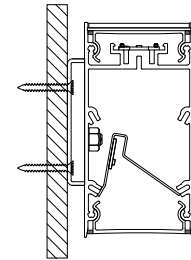
EPDO
EPIO



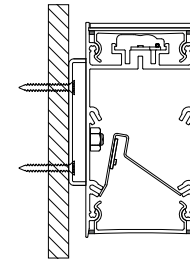
ASDO
ASIO



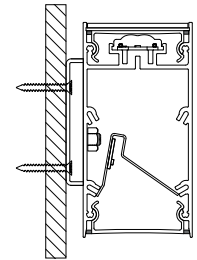
WIO2
EPDO



ASDO
EPIO



ASDO
ASIO



ASDO
WIO2

VIA 2 SEAL

LUMENWERX

WALL

DIRECT, DIRECT/INDIRECT

STATIC WHITE, BIOS ST/DY


VIA WEATHER SERIES

Environment Options

The Via Weather Series offers four levels of protective sealing: Level 1, Level 2, Level 3, and Level 4.

Via 2 Seal is available with one environment option: Wet Suitable (WET) at Level 1.

For other levels of protective sealing, please see Via 3 Seal or Via 4 Seal spec sheets for Level 1 and Level 2, Via Wet spec sheets for Level 3, and Via Splash spec sheets for Level 4.

FEATURES	 Wet Suitable (IP44) (WET)
Direct distribution	•
Direct/Indirect distribution	•
Indoor application that requires wipe down	•
Healthcare application	•
Outdoor application with restrictions: under canopy only	•
Continuous line of light over 12 ft	•
Water and dust resistant	•
Water and dust protected	X
Not suitable for extreme weather applications	•
Damp listed	•
Wet listed	X

VIA 2 SEAL

LUMENWERX

WALL

DIRECT, DIRECT/INDIRECT

STATIC WHITE, BIOS ST/DY

VIA WEATHER SERIES

Photometrics

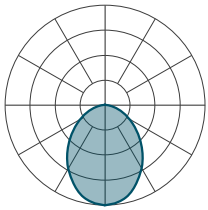
MULTIPLIER TABLE

Please follow the multiplier table to ensure correct lumen value. CCT and CRI, will change the lumen output.

Multiplier - CCT/CRI

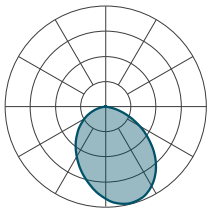
CCT (K)	WATTS		LPW	
	CRI 80	CRI 90	CRI 80	CRI 90
2700	1.06	1.27	0.94	0.79
3000	1.02	1.23	0.98	0.81
3500	1.00	1.19	1.00	0.84
4000	1.00	1.18	1.00	0.85
5000	0.95	1.12	1.05	0.89

DIRECT



EPDO - Delivered Lumens at 40K at 80 CRI

LUMENS PER FOOT	TOTAL LUMENS PER 4FT	INPUT WATTS	LPW
350	1400	14.1	99
500	2000	20.7	97
750	3000	32.6	92



ASDO - Delivered Lumens at 40K at 80 CRI

LUMENS PER FOOT	TOTAL LUMENS PER 4FT	INPUT WATTS	LPW
350	1400	17.0	82
500	2000	25.2	79
750	3000	40.1	75

VIA 2 SEAL

LUMENWERX

WALL

DIRECT, DIRECT/INDIRECT

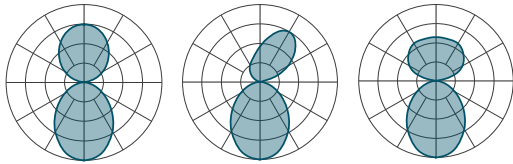
STATIC WHITE, BIOS ST/DY

VIA WEATHER SERIES

Photometrics

DIRECT/INDIRECT - WITH EPDO

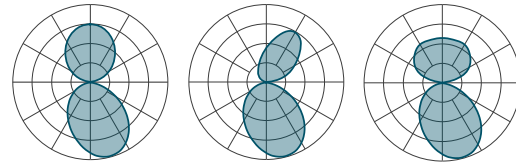
Delivered lumens at 40K at 80 CRI for all optics.



EPDO - EPIO EPDO - ASIO EPDO - WIO2

DIRECT/INDIRECT - WITH ASDO

Delivered lumens at 40K at 80 CRI for all optics.



ASDO - EPIO ASDO - ASIO ASDO - WIO2

LM/FT		NOMINAL LM/4FT		TOTAL LM/4FT	INPUT WATTS	LPW
D	I	D	I			

EPDO		EPIO		TOTAL LM/4FT	INPUT WATTS	LPW
D	I	D	I			
350	350	1400	1400	2800	28	100
	500		2000	3400	34.7	98
	750		3000	4400	46.7	94
500	350	2000	1400	3400	34.7	98
	500		2000	4000	41.3	97
	750		3000	5000	53.3	94
750	350	3000	1400	4400	46.7	94
	500		2000	5000	53.2	94
	750		3000	6000	65.3	92

LM/FT		NOMINAL LM/4FT		TOTAL LM/4FT	INPUT WATTS	LPW
D	I	D	I			

ASDO		EPIO		TOTAL LM/4FT	INPUT WATTS	LPW
D	I	D	I			
350	350	1400	1400	2800	31	90
	500		2000	3400	37.7	90
	750		3000	4400	49.7	89
500	350	2000	1400	3400	39.2	87
	500		2000	4000	45.8	87
	750		3000	5000	57.9	86
750	350	3000	1400	4400	54.1	81
	500		2000	5000	60.7	82
	750		3000	6000	72.8	83

EPDO		ASIO		TOTAL LM/4FT	INPUT WATTS	LPW
D	I	D	I			
350	350	1400	1400	2800	27.5	102
	500		2000	3400	34	100
	750		3000	4400	45.6	97
500	350	2000	1400	3400	34.2	100
	500		2000	4000	40.6	99
	750		3000	5000	52.2	96
750	350	3000	1400	4400	46.1	95
	500		2000	5000	52.6	95
	750		3000	6000	64.2	94

ASDO		ASIO		TOTAL LM/4FT	INPUT WATTS	LPW
D	I	D	I			
350	350	1400	1400	2800	30.5	92
	500		2000	3400	37	92
	750		3000	4400	48.6	91
500	350	2000	1400	3400	38.7	88
	500		2000	4000	45.2	89
	750		3000	5000	56.7	88
750	350	3000	1400	4400	53.6	82
	500		2000	5000	60	83
	750		3000	6000	71.6	84

EPDO		WIO2		TOTAL LM/4FT	INPUT WATTS	LPW
D	I	D	I			
350	350	1400	1400	2800	25.9	108
	500		2000	3400	31.4	108
	750		3000	4400	41.3	107
500	350	2000	1400	3400	32.5	105
	500		2000	4000	38	105
	750		3000	5000	47.9	105
750	350	3000	1400	4400	44.4	99
	500		2000	5000	50	100
	750		3000	6000	59.8	100

ASDO		WIO2		TOTAL LM/4FT	INPUT WATTS	LPW
D	I	D	I			
350	350	1400	1400	2800	28.8	97
	500		2000	3400	34.4	99
	750		3000	4400	44.2	100
500	350	2000	1400	3400	37	92
	500		2000	4000	42.5	94
	750		3000	5000	52.4	95
750	350	3000	1400	4400	51.9	85
	500		2000	5000	57.4	87
	750		3000	6000	67.3	89

WALL

DIRECT, DIRECT/INDIRECT

STATIC WHITE, BIOS ST/DY

VIA WEATHER SERIES

Technical Specifications

DIRECT OPTICS

Environmentally Protected Direct Optic (EPDO)

The Environmentally Protected Direct Optic creates a seal that blocks debris and moisture, and withstands UV distortion and moderate impact. This extruded snap-in lens has a gasket to ensure proper sealing. The lens is 1/16" thick and made of frosted polycarbonate. Internally, white, side kicking reflectors guide the light through the lens. The EPDO suits moderate climate environments.

Asymmetric Soft Direct Optic (ASDO)

The Asymmetric Soft Direct Optic creates a seal that blocks debris and moisture, and withstands UV distortion and moderate impact. This extruded snap-in lens has a gasket to ensure proper sealing. The lens is 1/16" thick and made of frosted polycarbonate. Internally, white, side kicking reflectors specifically angled to guide the light through the lens to create a nice asymmetric distribution. The ASDO suits moderate climate environments.

INDIRECT OPTICS

Environmentally Protected Indirect Optic (EPIO)

The Environmentally Protected Indirect Optic creates a seal that blocks debris and moisture, and withstands UV distortion and moderate impact. The lens is 1/16" thick and made of frosted polycarbonate. This extruded snap-in lens has a gasket to ensure proper sealing. The EPIO suits moderate climate environments.

Asymmetric Soft Indirect Optic (ASIO)

The Asymmetric Soft Indirect Optic creates a seal that blocks debris and moisture, and withstands UV distortion and moderate impact. The lens is 1/16" thick and made of clear polycarbonate. This extruded snap-in lens has a gasket to ensure proper sealing. The total internal reflection and surface scattering optic is specifically angled to guide the light through the lens to create a nice asymmetric distribution. The ASIO suits moderate climate environments.

Widespread Indirect Optic (WIO2)

The Widespread Indirect Optic creates a seal that blocks debris and moisture, and withstands UV distortion and moderate impact. The lens is 1/16" thick and made of clear polycarbonate. This extruded snap-in lens has a gasket to ensure proper sealing. The total internal reflection and surface scattering optic offers an impressive 160° spread. WIO2 creates an even illumination for smooth brightness on the ceiling that can achieve uniformity ratios of up to 2:1. The WIO2 suits moderate climate environments.

Uniformity [max/min]

Based on 18' continuous runs, in a 20' x 40' room, 10' wall height

Mounting height from ceiling	Spacing (Center to center)		
	8'	10'	12'
24"	3.0	5.5	8.0
36"	2.0	3.0	4.5
48"	2.0	2.0	3.5

VIA 2 SEAL

WALL

DIRECT, DIRECT/INDIRECT

STATIC WHITE, BIOS ST/DY

VIA WEATHER SERIES

LIGHT SOURCE

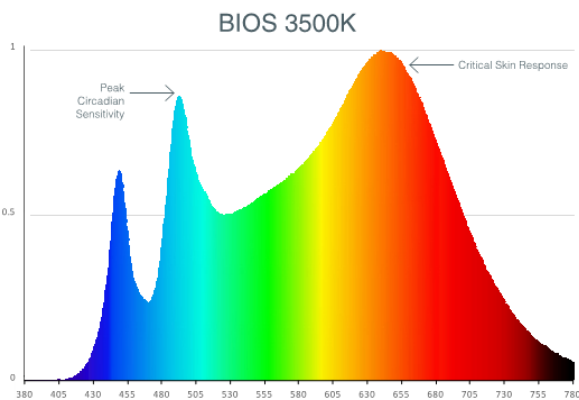
Custom linear array of mid-flux LEDs are cartridge-mounted with quick-connect wiring to facilitate service and thermal management. Available in 2700K, 3000K, 3500K, 4000K and 5000K with a minimum 80 CRI and an option for 90 CRI with elevated R9 value. Color consistency maintained to within 3 SDCM. LEDs operated at reduced drive current to optimize efficacy and lumen maintenance.

All LEDs have been tested in accordance with IESNA LM-80-08 and the results have shown L80 lumen maintenance greater than 60,000 hours. Absolute product photometry is measured and presented in accordance with IESNA LM-79, unless otherwise indicated.



BIOS SkyBlue™ Technology is designed to provide the specific circadian stimulus to improve overall sleep quality, recovery during the night, and overall feelings of well-being.

The non-visual light signals that stimulate our circadian system have peak intensity in the "sky blue" region. As the diagram below illustrates, BIOS SkyBlue technology shifts the peak LED spectral intensity (490 nm) to align better with the peak response of circadian stimulus. Also note the enhanced deep-red (near 660 nm) spectrum.



WELL for Light - The WELL building standard focuses on light quality in several features. There are three categories that are fully attributed to the construction and features of a luminaire. In WELL V1, it's Feature 54 Circadian Lighting, Feature 55 Glare Control, and Feature 58 Color Quality. In WELL V2, it's Feature L03 Circadian Lighting, Feature L04 Glare Control, and Feature L07 Electric Light Quality.

This fixture meets Features:

- Feature 54 or L03 when BIOS LED is selected
- Feature 58 or L07 when 90 CRI is selected

All LED drivers used at Lumenwerx are deemed to have a low risk level of flicker, of 5 % or less below 90Hz operational as defined by IEEE standard 1789-2015 LED.



WELL for Mind -This luminaire meets WELL for mind as it is a human centric luminaire offering quality light, excellent color, and smooth optics. If any of these features are incorporated in a luminaire, it can improve the ability to focus, concentrate, and persist longer on a given task. This fixture harmoniously operates in a space to assist the mind.

For more information, please contact well@lumenwerx.com

LUMINAIRE LENGTH

Via 2 Seal is available in standard lengths of 2' to 12'. Continuous runs are available for run lengths over 12'. Exact run length must be noted in the product code. The minimum length is 2' for Direct fixtures, and 3' for Direct/Indirect fixtures. Lengths can be ordered in 1' and/or 1" increments. All individual sections are joined together onsite using the joiner kits provided. Lumenwerx joiner kits are extremely simple to work with in the field and result in a fixture that appears virtually seamless with no light leak at any connection.

WEEP HOLES

The Direct/Indirect fixtures with the Wet Suitable (WET) option feature a weep hole situated in the end cap. Water and moisture that enters the fixture will be expelled through this hole.



VIA 2 SEAL

WALL

DIRECT, DIRECT/INDIRECT

STATIC WHITE, BIOS ST/DY

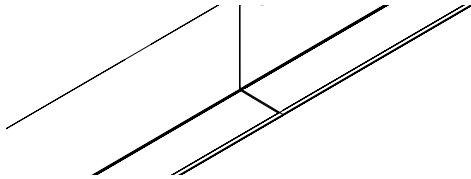
VIA WEATHER SERIES

LUMENWERX

JOINING SYSTEM

All individual sections are joined together onsite using the ¼"-20 screws and nuts provided. The junction between two adjacent sections creates a continuous line of light without shadows.

Wet Suitable - WET



Continuous line of light

LUMINAIRE MAINTENANCE

LED arrays and drivers are accessible through the optical chamber and easily replaced.

ELECTRICAL

Factory-set, adjustable output current LED driver with universal (120-277VAC) input. Dimmable from 100% to 1% with 0-10V dimming control. Rated life (90% survivorship) of 50,000 hours at 50°C max. ambient (and 70°C max. case) temperature. At maximum driver load: Efficiency>84%, PF>0.9, THD<20%. Other specifiable options include Lutron Hi-Lume 1% (specify 2-wire, or Ecosystem Dim-to-Off), eldoLED 1% ECOdrive 0-10V, eldoLED 0.1% SOLOdrive 0-10V, and DALI protocol drivers. All of our standard 0-10V drivers are NEMA 410 compliant. An optional low-temperature 10% 0-10V driver, suitable for temperatures down to -40°C/F is also available.

PoE

Depending on the PoE manufacturer selected, Lumenwerx will install the node in factory as either integral to the luminaire or as a remote module. Factory programming of the PoE node may or may not enable the following functionalities: lumen package, Duo (tunable white), emergency battery backup, and sensor integration. These must be addressed and evaluated on a case-by-case basis.

ELECTRICAL SECTION OPTIONS

Electrical section options are available for fixtures specified as multi circuit (#MC). With MC, specify the total number of circuits (#), including any circuits required for optional electrical sections. A drawing is required to specify the layout. Please consult factory for custom configurations.

Electrical sections

Options include emergency-powered light (#EC##), night light (#NL##), daylight (#DL##), and generator transfer device (#GTD##) sections. Specify the quantity (#), as well as the section length in inches (##).

Example 1: A 32' Direct fixture with two 8' emergency light sections on a second circuit.

Code: 2MC-2EC96

Example 2: A 16' Direct/Indirect fixture with separate circuits for direct and indirect, and with one 4' night light section on the direct side on a third circuit.

Code: 3MC-1NL48

Example 3: A 24' Direct fixture with one 4' generator transfer device section.

Code: 1MC-1GTD48

Battery

Each emergency battery (#EMB) powers a 4' section. All batteries will be on the same circuit. Specify the number of batteries (#) required.

Factory installed long life, high temperature, maintenance-free Lithium-Ion battery pack with self-test functionality, test switch and charge indicator. Minimum of 90 minutes operation, up to 1000 lumens per 4' (25°C) emergency lighting output and recharge time of 24 hours. Suited for ambient temperatures of 0°C (32°F) to 55°C (131°F).

Generator Transfer Device (GTD)

A UL924 listed shunt relay that can bypass both line voltage (120-277V) and 0-10V dimming signal. Suited for ambient temperatures of 0°C (32°F) to 60°C (140°F).

VIA 2 SEAL

LUMENWERX

WALL

DIRECT, DIRECT/INDIRECT

STATIC WHITE, BIOS ST/DY

VIA WEATHER SERIES

MOUNTING OPTIONS

Fixtures may be horizontally mounted to either a wall or a mullion using a bracket. For long runs, a minimum of 6" from adjacent walls is required.

FINISH

Interior - 95%, reflective matte powder coated white paint

Exterior - Powder-coat paint in matte white or aluminum.

Custom finishes are also available. Optional antimicrobial finish.

CONSTRUCTION

Housing - Extruded aluminum (0.095" nominal) up to 90% recycled content

Interior brackets - Die-formed cold rolled sheet steel 18 gauge thick

Reflectors - Cold rolled steel 0.024" thick precisely die-formed, 95% reflective matte white painted

End cap - Die-cast aluminum (0.100" nominal)

End cap gasket - 1/16" closed-cell silicone foam

Drywall mounting bracket - 1/16" thick steel bracket with stainless steel PEM studs and sealing washers

Mullion mounting bracket - Die-cast aluminum

WEIGHT

Direct	Direct/Indirect
4ft - 9.0 lbs - 4.1 kg	4ft - 12.1 lbs - 5.5 kg
8ft - 18.3 lbs - 8.3 kg	8ft - 23.3 lbs - 10.6 kg
12ft - 28 lbs - 12.7 kg	12ft - 34.6 lbs - 15.7 kg

CERTIFICATIONS

ETL - WET environment option is rated for dry/damp locations. Conforms to UL Standard 1598 and certified to CAN/CSA Standard C22.2 No. 250.0.

IK05 - Impact resistance rated to IK05.

WARRANTY

Lumenwerx provides a five-year limited warranty on electrical and mechanical performance of the luminaires, including the LED boards, drivers, and auxiliary electronics. Lumenwerx will repair or replace defective luminaires or components at our discretion, provided they have been installed and operated in accordance with our specifications. Other limitations apply, please refer to the full warranty on our website.

Linear

MOMO R007

Fixture Guide

KKDÖ

Indoor/Outdoor | Surface | Output up to 441lm/m (135lm/ft)

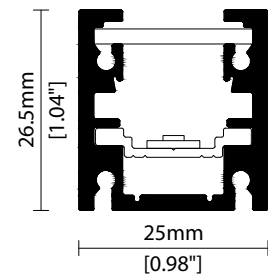


Key applications

- ✓ Architectural detail
- ✓ Backlighting & signage
- ✓ Bathrooms
- ✓ Building façades
- ✓ Cove lighting
- ✓ Direct lighting
- ✓ Exterior
- ✓ Interior
- ✓ Mirror back lighting
- ✓ Pathways/driveways
- ✓ Public spaces
- ✓ Wall grazing
- ✓ Window reveal
- ✓ Wet area

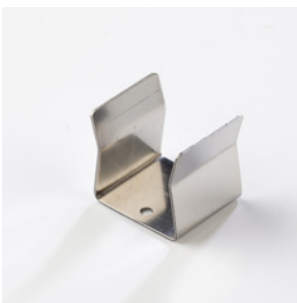
Key features

- ✓ Adjustable
- ✓ Custom lengths
- ✓ Constant Voltage (CV)
- ✓ Diffusion: homogenous
- ✓ Direct view
- ✓ Extensive CCT range
- ✓ Glare control options
- ✓ IP44 moisture resistant
- ✓ IP67 waterproof
- ✓ Lens options
- ✓ Nano louvre



C - Diffused Cover

MOUNTING METHODS



KKCP-03 Clip



KKCP-09 Lock clip



KKBK-07 Fixing plate



KKBK-21 Adjustable bracket

Linear

MOMO R007

Specification sheet



Dimensions	H26.5/W25/L103-2020mm* (H1.04/W0.98/L4.05-79.53in*) *Nano Louvre = 1020mm/40.16in max
PCB Cut-point	41.7mm increment/2000mm max* (1.64in increment/78.74in max*) *Nano Louvre = 1000mm/39.37in max
LED Pitch	6.95mm-144LED/m (0.27in - 44LED/ft)
Chip	s-line k-line
Cover/Optics	Clear (100°)/Diffused (95°)/KKLN-01 Lens (14°)/ KKLN-03 Lens (23°)/ Diffused + Nano Louvre (35°)
CCT	s-line: 1900K/2100K/2300K/2500K/2700K/3000K/3500K/4000K/5000K Single colours: Red/Green/Blue/Orange/Amber k-line: 1900K/2100K/2300K/2500K/2700K/3000K/3500K/4000K/5000K
LED binning	s-line: 2-step MacAdam ellipse k-line: 3-step MacAdam ellipse
CRI	≥92
Lifetime	50,000 hours @ 25°C (50,000 hours @ 77°F)
Operating temp	T _a = -25 to 50°C (T _c max = 70°C) T _a = -13 to 122°F (T _c max = 158°F)
IP Rating	IP44/67
Finish	Silver anodised
Mounting	Surface mounting via clips or brackets
Power feed	Sheathed hardwire tails or male/female connectors
Control	0-10V/1-10V/DMX/DALI



LED Grading Key

Exclusive Grade

s s-line*	*KKDC tuned CCT range
2-step CCT range	

Base Grade

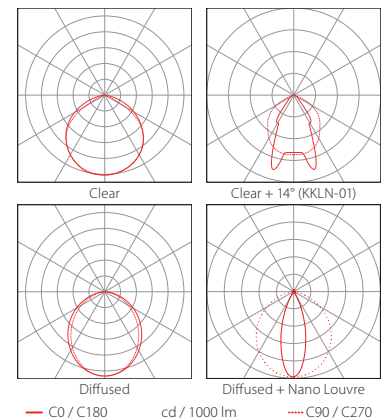
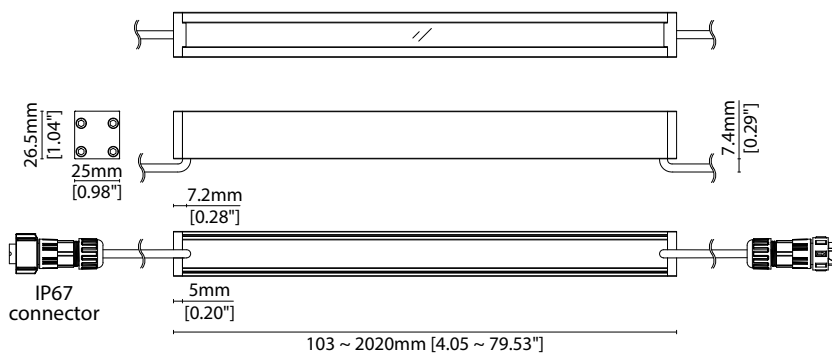
k k-line	3-step commercial range Energy Star CCTs
-----------------	---

Power consumption	Supply voltage	Supply current
7W/m (2.13W/ft)	24V DC	0.29A/m (0.09A/ft)

Performance Data (3000K)

	R1	R2	R3	R4	R5	R6	R7	R8	R9	R10	R11	R12	R13	R14
k-line	93	97	98	90	92	94	91	83	63	91	90	75	94	98

	Clear	Clear + KKLN-01 (14°)	Clear + KKLN-03 (23°)	Diffused Cover	Diffused + Nano Louvre	CRI	R9	Rf	Rg
s-line	441lm/m (135lm/ft) 63.1lm/w	265lm/m (81lm/ft) 37.8lm/w	285lm/m (87lm/ft) 40.7lm/w	252lm/m (77lm/ft) 36lm/w	90lm/m (27lm/ft) 12.8lm/w	93	64	-	-
k-line	417lm/m (127lm/ft) 59.5lm/w	250lm/m (76lm/ft) 35.7lm/w	269lm/m (82lm/ft) 38.4lm/w	238lm/m (73lm/ft) 34lm/w	85lm/m (26lm/ft) 12.1lm/w	92	63	-	-



Data derived from independent UKAS/IESNA LM-79-08 accredited testing of production samples.

FIXTURE

Model	Finish	Cover/Lens ¹	Grade ²	LED	Colour (CCT)	Length Availability ³	IP	Cable Length	Power Feed ⁴	Input				
MOMO	MM Silver Anodised	SA Clear	B s	R007	R007	1900K	19	m 103-2020mm 83.3mm increments i 4.05-79.53in 3.28in increments (Specify length code OR total run length)	IP44 44 IP67 67	300mm/ 11.81"	0300	Single ø4.3mm sheath tail Double ø4.3mm sheath tail Single ø4.3mm sheath IP67 Male connector Double ø4.3mm sheath IP67 connector	S00A D00A S67A D67A	DC 24V g
					R007	2100K	21							
					R007	2300K	23							
					R007	2500K	25							
					R007	2700K	27							
					R007	3000K	30							
					R007	3500K	35							
					R007	4000K	40							
					R007	5000K	50							
					R007	RED	RED s only							
					R007	GREEN	GRN							
					R007	BLUE	BLU							
					R007	ORANGE	ORN							
R007	AMBER	AMB												

¹ Refer to **Cover/Lens Options** on **Options** pages ² Refer to **LED Grading Key** on **Specification sheet** page ³ Refer to **Length Availability List** or enter total run length instead of length code
⁴ Refer to **Power Feed Options** on **Options** pages ⁵ Max length available with Nano Louvre is 1020mm.
⁶ Nano Louvre suitable for IP44 variant ONLY. Prolonged exposure to water droplets on cover surface may result in superficial peeling of Nano louvre film without affecting integrity of housing ingress
⁷ Due to the clear, flush potted polyurethane top layer on IP67 MOMO a colour shift of +/- 20K should be expected

Code Example:

MM	-	SA	-	C	-	s	-	R007	-	35	-	m	520	-	67	-	0300	-	D67A	-	g
MOMO		Silver Anodised		Diffused		s		R007		3500K		520mm		IP67		300mm/11.81"		Double ø4.3mm sheath IP67 connector		DC 24V	

ACCESSORIES

Mounting Accessories

KKCP-03	Clip (1no.)
KKCP-53	Clip (500no.)
KKCP-09	Lock Clip
KKBK-07	Fixing plate
KKBK-21	Adjustable bracket

* Refer to **Mounting accessories** on **Accessories** pages

Connection Accessories

CN67-2P-0300	IP67 2 PIN male & female 300mm/11.81" pair
CN67-2P-1000	IP67 2 PIN male & female 1000mm/39.37" pair
CN67-2P-3000	IP67 2 PIN male & female 3000mm/118.11" pair

* Refer to **Power feed** on **Accessories** pages

Exterior Junction Boxes

KKJB-07	IP67 Slim J-Box
KKJB-07R	Potting Resin for IP67 Slim J-Box

* Refer to **Exterior Junction Boxes** on **Accessories** pages

PSU/Driver

0-10V/1-10V/DALI/DMX

* Refer to **Driver/PSU Options** page for details or provide requirement and KKDC to offer the suitable option

LED ENGINE VARIANTS (LED STRIP TYPE)

Colour	LED	Lumen/m	Lumen/ft	W/m	W/ft	Spec Doc	Length	Increment
Single CCT	R007	441	135	7	2.13	MOMO R007	103-2020mm (4.05-79.53in)	41.7mm (1.64in)
	R014	904	275	14	4.27	MOMO R014	103-2020mm (4.05-79.53in)	41.7mm (1.64in)
	R020	1280	390	20	6.1	MOMO R020	103-2020mm (4.05-79.53in)	41.7mm (1.64in)
	R030	1813	552	30	9.14	MOMO R030	103-2020mm (4.05-79.53in)	41.7mm (1.64in)
	A040	3960	1207	40	12.19	MOMO A040	97-1520mm (3.82-59.84in)	38.46mm (1.51in)
Warm Dim/Dynamic White	R207	1004	306	16	4.88	MOMO R207	103-2020mm (4.05-79.53in)	41.7mm (1.64in)
RGB	501	Red 114 Green 244 Blue 38 RGB 350	Red 35 Green 74 Blue 12 RGB 107	15.6	4.75	MOMO RGB	94-2011mm (3.70-79.17in)	41.7mm (1.64in)
RGBW	R201	893	272	20	6.1	MOMO RGBW	155-2030mm (6.10-79.92in)	62.5mm (2.46in)

* Performance data: A/s-line, clear cover, 3000K

MOMO R007

Length Availability List



Length Code		Fixture Length ¹		LED Strip ²		End Cap Dimension ³		Wattage (W)	Output (lm)
Metric	Imperial(US)	Metric	Imperial(US)	Metric	Imperial(US)	Metric	Imperial(US)		3000K (Test Data)
m0103	i0004	103mm	4.07in	83mm	3.28in	10mm	0.39in	0.58	41
m0145	i0006	145mm	5.71in	125mm	4.92in	10mm	0.39in	0.87	61
m0187	i0007	187mm	7.35in	167mm	6.56in	10mm	0.39in	1.17	82
m0228	i0009	228mm	8.99in	208mm	8.20in	10mm	0.39in	1.46	102
m0270	i0011	270mm	10.63in	250mm	9.84in	10mm	0.39in	1.75	122
m0312	i0012	312mm	12.27in	292mm	11.48in	10mm	0.39in	2.04	143
m0353	i0014	353mm	13.91in	333mm	13.12in	10mm	0.39in	2.33	163
m0395	i0016	395mm	15.55in	375mm	14.76in	10mm	0.39in	2.62	184
m0437	i0017	437mm	17.19in	417mm	16.40in	10mm	0.39in	2.92	204
m0478	i0019	478mm	18.83in	458mm	18.04in	10mm	0.39in	3.21	225
m0520	i0020	520mm	20.47in	500mm	19.69in	10mm	0.39in	3.50	245
m0562	i0022	562mm	22.11in	542mm	21.33in	10mm	0.39in	3.79	265
m0603	i0024	603mm	23.75in	583mm	22.97in	10mm	0.39in	4.08	286
m0645	i0025	645mm	25.39in	625mm	24.61in	10mm	0.39in	4.37	306
m0687	i0027	687mm	27.03in	667mm	26.25in	10mm	0.39in	4.67	327
m0728	i0029	728mm	28.67in	708mm	27.89in	10mm	0.39in	4.96	347
m0770	i0030	770mm	30.31in	750mm	29.53in	10mm	0.39in	5.25	367
m0812	i0032	812mm	31.96in	792mm	31.17in	10mm	0.39in	5.54	388
m0853	i0034	853mm	33.60in	833mm	32.81in	10mm	0.39in	5.83	408
m0895	i0035	895mm	35.24in	875mm	34.45in	10mm	0.39in	6.12	429
m0937	i0037	937mm	36.88in	917mm	36.09in	10mm	0.39in	6.42	449
m0978	i0039	978mm	38.52in	958mm	37.73in	10mm	0.39in	6.71	470
m1020	i0040	1020mm	40.16in	1000mm	39.37in	10mm	0.39in	7.00	490
m1062	i0042	1062mm	41.80in	1042mm	41.01in	10mm	0.39in	7.29	510
m1103	i0043	1103mm	43.44in	1083mm	42.65in	10mm	0.39in	7.58	531
m1145	i0045	1145mm	45.08in	1125mm	44.29in	10mm	0.39in	7.87	551
m1187	i0047	1187mm	46.72in	1167mm	45.93in	10mm	0.39in	8.17	572
m1228	i0048	1228mm	48.36in	1208mm	47.57in	10mm	0.39in	8.46	592
m1270	i0050	1270mm	50.00in	1250mm	49.21in	10mm	0.39in	8.75	612
m1312	i0052	1312mm	51.64in	1292mm	50.85in	10mm	0.39in	9.04	633
m1353	i0053	1353mm	53.28in	1333mm	52.49in	10mm	0.39in	9.33	653
m1395	i0055	1395mm	54.92in	1375mm	54.13in	10mm	0.39in	9.62	674
m1437	i0057	1437mm	56.56in	1417mm	55.77in	10mm	0.39in	9.92	694
m1478	i0058	1478mm	58.20in	1458mm	57.41in	10mm	0.39in	10.21	715
m1520	i0060	1520mm	59.84in	1500mm	59.06in	10mm	0.39in	10.50	735
m1562	i0061	1562mm	61.48in	1542mm	60.70in	10mm	0.39in	10.79	755
m1603	i0063	1603mm	63.12in	1583mm	62.34in	10mm	0.39in	11.08	776
m1645	i0065	1645mm	64.76in	1625mm	63.98in	10mm	0.39in	11.37	796
m1687	i0066	1687mm	66.40in	1667mm	65.62in	10mm	0.39in	11.67	817
m1728	i0068	1728mm	68.04in	1708mm	67.26in	10mm	0.39in	11.96	837
m1770	i0070	1770mm	69.69in	1750mm	68.90in	10mm	0.39in	12.25	857
m1812	i0071	1812mm	71.33in	1792mm	70.54in	10mm	0.39in	12.54	878
m1853	i0073	1853mm	72.97in	1833mm	72.18in	10mm	0.39in	12.83	898

MOMO R007

Length Availability List

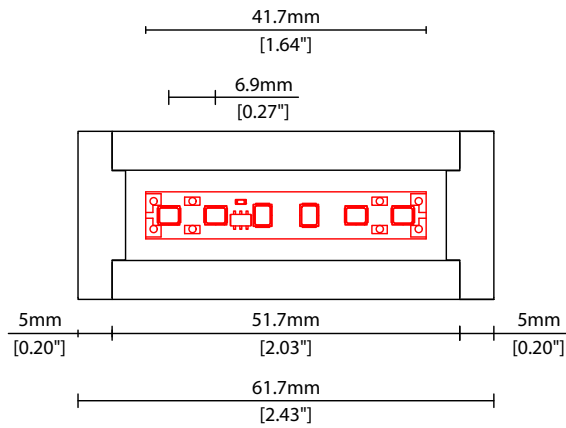


Length Code		Fixture Length ¹		LED Strip ²		End Cap Dimension ³		Wattage (W)	Output (lm)
Metric	Imperial(US)	Metric	Imperial(US)	Metric	Imperial(US)	Metric	Imperial(US)		3000K (Test Data)
m1895	i0075	1895mm	74.61in	1875mm	73.82in	10mm	0.39in	13.12	919
m1937	i0076	1937mm	76.25in	1917mm	75.46in	10mm	0.39in	13.42	939
m1978	i0078	1978mm	77.89in	1958mm	77.10in	10mm	0.39in	13.71	960
m2020	i0080	2020mm	79.53in	2000mm	78.74in	10mm	0.39in	14.00	980

¹ Actual total overall length of light fixture (LED strip + end caps + void/wire hole)

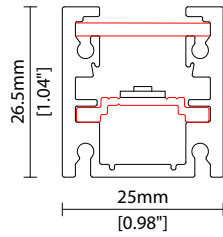
² Actual length of PCB strip

³ Actual length of 2x end caps

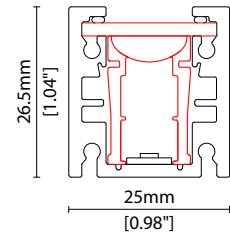


COVER/LENS OPTIONS

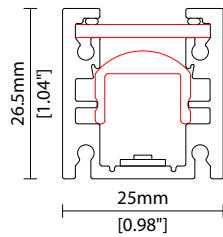
* Options are an integral part of the fixture ordering codes. Please refer to **Code Table** pages.



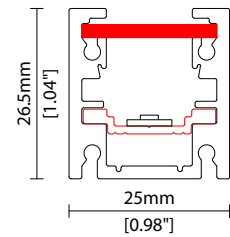
B Clear Cover
W25.0/H26.5mm (W0.98/H1.04")



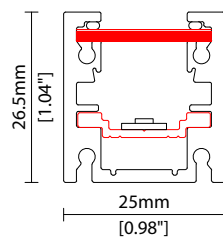
P Clear Cover +
KKLN-01 (14°) lens
W25.0/H26.5mm (W0.98/H1.04")



A Clear Cover +
KKLN-03 (23°) lens
W25.0/H26.5mm (W0.98/H1.04")



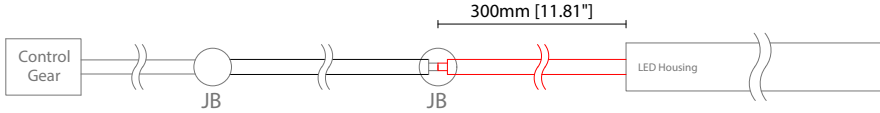
C Diffused Cover
W25.0/H26.5mm (W0.98/H1.04")



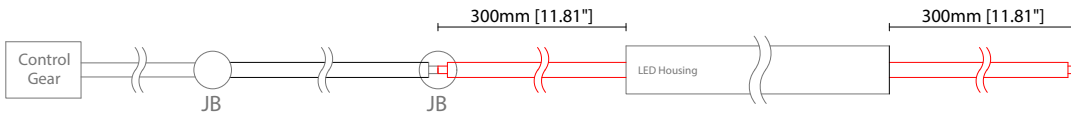
CN Diffused Cover + Nano Louvre
W25.0/H26.5mm (W0.98/H1.04")

POWER FEED OPTIONS

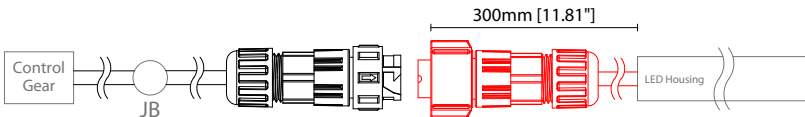
0300 S00A 300mm (11.81") Single Ø4.3mm sheath tail



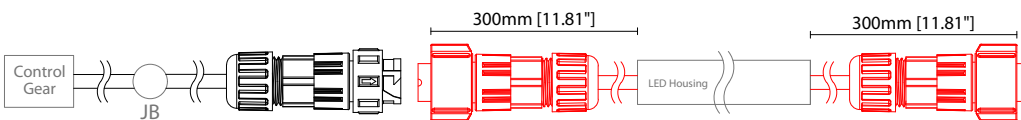
0300 D00A 300mm (11.81") Double Ø4.3mm sheath tail



0300 S67A 300mm (11.81") Single Ø4.3mm sheath IP67 connector

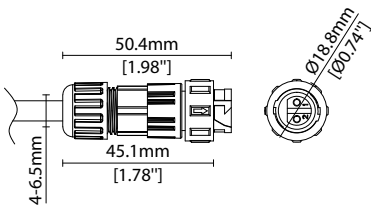


0300 D67A 300mm (11.81") Double Ø4.3mm sheath IP67 connector

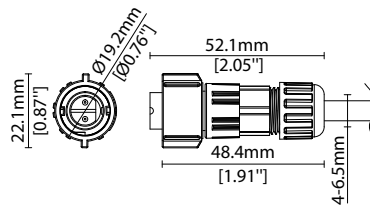


IP67 2 Pin Connector

Female connector
2 PIN (IP67)



Male connector
2 PIN (IP67)

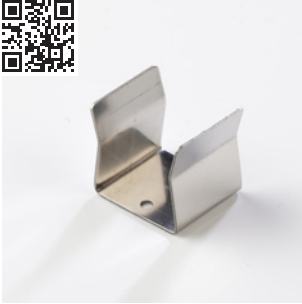


Key

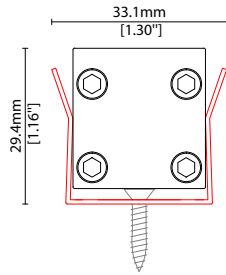
- Control Gear Power supply, sub-controllers & control systems
- JB Junction box / cable connection

MOUNTING ACCESSORIES

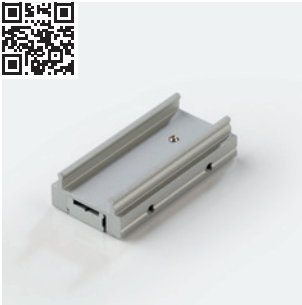
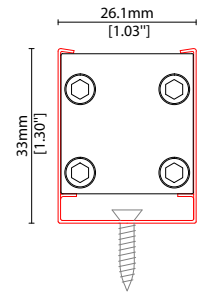
Note: Accessories are to be ordered separately with corresponding code shown below.



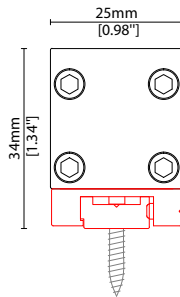
KKCP-03 (1no.)
 KKCP-53 (500no.)
 Clip (allow 3 per metre/40in)
 S/Steel finish
 L25/W33.1/H29.4mm
 (L0.98/W1.3/H1.16")



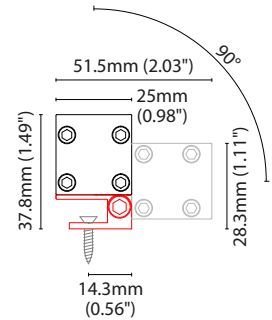
KKCP-09
 Lock clip (allow 2 per metre/40in)
 S/Steel finish
 L25/W26.1/H33mm
 (L0.98/W1.03/H1.3")



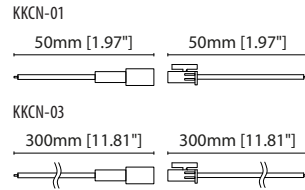
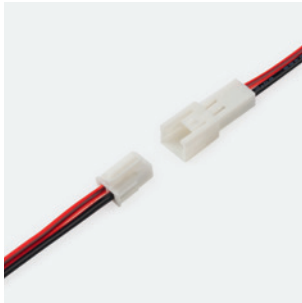
KKBK-07
 Fixing plate (allow 2 per metre/40in)
 Anodised aluminium finish
 L50/W25/H34mm
 (L1.97/W0.98/H1.34")
 Pre-assembled in factory



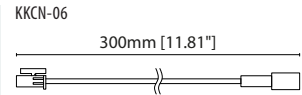
KKBK-21
 Adjustable bracket
 (allow 2 per metre/40in)
 Anodised aluminium finish
 L34/W25/H37.8mm
 (L1.34/W0.98/H1.49")
 Pre-assembled in factory



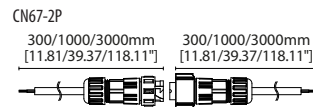
POWER FEED



KKCN-01 50mm (1.97in) pair
KKCN-03 300mm (11.81in) pair
2 PIN male + female connector set



KKCN-06
2 PIN 300mm (11.81in) extension lead



CN67-2P-0300 300mm (11.81in) pair
CN67-2P-1000 1000mm (39.37in) pair
CN67-2P-3000 3000mm (118.11in) pair
IP67
2 PIN male + female connector set

EXTERIOR JUNCTION BOXES



KKJB-07
IP67 Slim J-Box
(including type A,B,C, D bushings)



KKJB-07R
Potting resin for IP67 Slim J-Box

KKDC CONTROL



IP20
Plastic housing
L170/W59/H29mm
(L6.69/W2.32/H1.14in)

KKDM-06 1-10V

visDIM dimmable sub-controller
(4 x 8A max @ 12-36V)



IP20
Plastic housing
L170/W53.4/H28mm
(L6.69/W2.10/H1.10in)

KKSC-05 DMX

visDIM dimmable sub-controller
(4 x 5A max @ 12-36V)



IP20
Plastic housing
L170/W59/H29mm
(L6.69/W2.32/H1.14in)

KKDL-02 DALI

visDIM dimmable sub-controller
(4 x 8A max @ 12-36V)



IP20
Plastic housing
L166/W53.4/H23mm
(L6.54/W2.10/H0.91in)

KKDL-03 DALI

visDIM dimmable sub-controller
(4 x 5A max @ 12-36V)

AVAILABLE PSU OPTIONS

Control Mode	PSU (Order Code)	Input Voltage AC	Output Voltage DC	Rated Output Current	Rated Power	Dim %	IP Rating
Switched	CEN-60-24	90-295V	24V	2.5A	60W	-	IP67
	HLG-60H-24	90-305V	24V	2.5A	60W	-	IP67
	HLG-100H-24	90-305V	24V	4.0A	100W	-	IP67
	HLG-150H-24	90-305V	24V	6.3A	150W	-	IP67
	HLG-240H-24	90-305V	24V	10A	240W	-	IP67
0-10V (1-10V)	PWM-40-24	90-305V	24V	1.67A	40W	100-0.15 (100-10)	IP67
	PWM-60-24	90-305V	24V	2.5A	60W	100-0.15 (100-10)	IP67
	PWM-90-24	90-305V	24V	3.67A	90W	100-0.15 (100-10)	IP67
	PWM-120-24	90-305V	24V	5.0A	120W	100-0.15 (100-10)	IP67
DALI	LIN100A1	120-277V	24V	1A per channel	100W	100-0.1	IP66/IP40
DMX RGB	LIN100A1	120-277V	24V	1.33A per channel	100W	100-0.1	IP66/IP40
DMX RGBW	LIN100A1	120-277A	24V	1A per channel	100W	100-0.1	IP66/IP40

Flicker Free Options - Combination of PSU+ sub-controller

Control Mode	PSU (Order Code)	Sub-controller (Order Code)	Input Voltage AC	Output Voltage DC	Rated Output Current	Rated Power	Dim %	IP Rating PSU/ Sub-controller
0-10V or 1-10V	CEN-60-24	KKDM-06	90-295V	24V	2.5A	60W	100-0.9	IP67/IP20
	HLG-60H-24	KKDM-06	90-295V	24V	2.5A	60W	100-0.9	IP67/IP20
	HLG-100H-24	KKDM-06	90-295V	24V	4.0A	100W	100-0.9	IP67/IP20
	HLG-150H-24	KKDM-06	90-295V	24V	6.3A	150W	100-0.9	IP67/IP20
	HLG-240H-24	KKDM-06	90-295V	24V	10.0A	240W	100-0.9	IP67/IP20
DALI	CEN-60-24	KKDL-02/03	90-295V	24V	2.5A	60W	100-0.1	IP67/IP20
	HLG-60H-24	KKDL-02/03	90-305V	24V	2.5A	60W	100-0.1	IP67/IP20
	HLG-100H-24	KKDL-02/03	90-305V	24V	4.0A	100W	100-0.1	IP67/IP20
	HLG-150H-24	KKDL-02/03	90-305V	24V	6.3A	150W	100-0.1	IP67/IP20
	HLG-240H-24	KKDL-02/03	90-305V	24V	10.0A	240W	100-0.1	IP67/IP20
DMX RGB	CEN-60-24	KKSC-05	90-295V	24V	2.5A	60W	100-0.9	IP67/IP20
	HLG-60H-24	KKSC-05	90-305V	24V	2.5A	60W	100-0.9	IP67/IP20
	HLG-100H-24	KKSC-05	90-305V	24V	4A	100W	100-0.9	IP67/IP20
	HLG-150H-24	KKSC-05	90-305V	24V	6.3A	150W	100-0.9	IP67/IP20
	HLG-240H-24	KKSC-05	90-305V	24V	10.0A	240W	100-0.9	IP67/IP20

¹ The items shown above cover the most frequently used specification but does not exhaust the possible options

² PSU and/or driver can be chosen from the table, or KKDC may recommend the best option upon receipt of the controls requirement and installation environment

³ Electrical shop drawing will include detailed information of PSU and relevant control drivers

⁴ Cut sheets are available on the controls section of www.kkdc.lighting or upon request

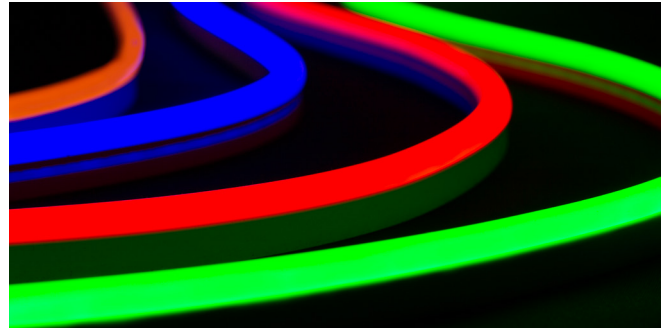
NEON CONTOUR

It's like neon, but better! This bendable, waterproof silicone fixture uses a rounded lens that gives modern LEDs the classic glow of neon tubes. Available in Static White, Variable White and color changing RGB, the Neon Contour is designed to brave the elements in façade lighting and lettering.

- Side-bending flexible silicone creates vivid tubes of light
- RGB, Static White, Variable White at 3.0 W/ft (9.8 W/m)
- All cut lengths at 1.97 in. (50 mm)
- Molded end cap for smooth finish
- Waterproof and UV resistant
- Salt water resistant
- Unique rounded design helps create signature styles

Applications:

Commercial Entertainment Healthcare	Hospitality Museums Public Spaces	Residential Retail / Signage
---	---	---------------------------------



ORDERING GUIDE

Category	Wattage & Color	Power Feed Direction
NLC		
NLC - Neon Contour	3.024 - 3.0 W/ft (9.8 W/m) 2400K 3.027 - 3.0 W/ft (9.8 W/m) 2700K 3.030 - 3.0 W/ft (9.8 W/m) 3000K 3.035 - 3.0 W/ft (9.8 W/m) 3500K 3.040 - 3.0 W/ft (9.8 W/m) 4000K	3.0RGB - 3.0 W/ft (9.8 W/m) Red, Green, Blue 3.0VW - 3.0 W/ft (9.8 W/m) Variable White (2400K-6000K)
		E - End Feed B - Bottom Feed

Mounting

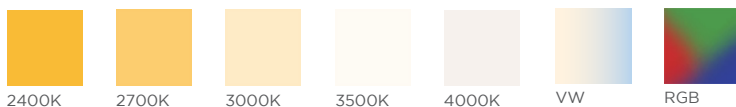
1. Aluminum Mounting Clip

Recommended for curved applications with 6 in. (150 mm) on center spacing
Part #: NLCMOUNTCLIPV2

2. Neon Contour Mounting Channel

Recommended for all straight run applications
Sold by the foot, up to 6 ft 6 in. / 2 m
Part #: NLCCHV2

AVAILABLE COLORS AND COLOR TEMPERATURES



POWER FEED OPTIONS / SPECIFICATIONS / USAGE GUIDELINES

SPECIFICATIONS	NEON CONTOUR
Operating Voltage	24V DC
Power Consumption	Static White, Variable White, RGB: 3.0 W/ft (9.8 W/m)
Protection Rating	IP67
Beam Angle	110°
Dimming	ELV / MLV / 0-10 Volt / DMX
Operating Temperature	-4° F to 140° F (-20° C to 60° C)
Color Temperatures / Colors	2400K, 2700K, 3000K, 3500K, 4000K, Variable White (2400K-6000K), RGB
Lamp Life	50,000 Hours
Max Length	Static White: 42 ft 7.81 in. (13 m) Variable White, RGB: 16 ft 4.85 in. (5 m)
Cuttable Length	1.97 in. (50 mm) NOT FIELD CUTTABLE
Power Cable Length	Standard: 12 in. (304.8 mm) / Custom: up to 20 ft (6 m)
UV Resistant	UV tested in accordance with ISO 4892-3 with no visible change on the appearance of the sample
Minimum Bend Diameter	7.87 in. (200 mm)
CRI (white)	90+ for all Color Temperatures
Lumens	3.0 Static White 4000K: 152 lm/ft (498.6 lm/m), 38 lm/W
	3.0 Variable White 150 lm/ft (492 lm/m), 34 lm/W
	3.0 RGB
	Red: 11 lm/ft (36.1 lm/m), 11 lm/W Green: 43 lm/ft (141 lm/m), 29 lm/W Blue: 9 lm/ft (29.5 lm/m), 5 lm/W
	All LEDs at 100%: 63 lm/ft (206.6 lm/m), 21 lm/W

MOLDED END CAPS (RGB models are with silicone end caps. See page 4 for details.)



Molded End Cap



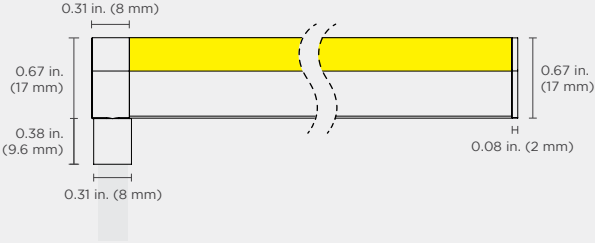
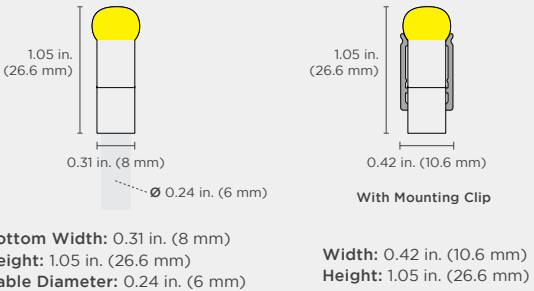
Molded Power Feed End Cap

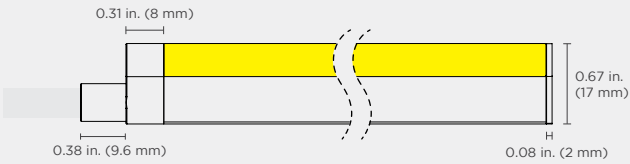

USAGE GUIDELINES

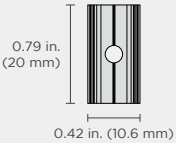
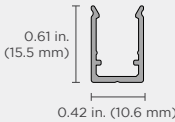
- Neon Contour cannot be cut in the field. All custom cuts and connections for these models must be performed at the factory to ensure waterproofing standards are met. Any modification of the waterproofing will result in a voided warranty.
- When installing this product take into account the surface temperature of the material where it will be mounted. Many building surfaces which are exposed to direct sunlight exceed the 140° F/60° C maximum that our product is rated for. High-risk locations like this should be avoided.
- This product is not intended to be submerged in pools and fountains and does not carry UL 676 certification to do so. Available for download at: www.GENLEDBrands.com/Acolyte
- Compatible with a wide variety of control products including the entire line of Lutron dimming systems.
- For use with Acolyte drivers, triac dimming modules, and 0-10 modules.
- Use with non-Acolyte triac, MLV or ELV drivers is not supported or warranted
- Due to the cuttable points inside, this product's cuttable lengths are generally longer or shorter than the customer requested length. Unless specified, this product is factory cut at the shorter cuttable point
- This product can be used in wet, outdoor locations around swimming pools and spa tubs, but not submerged in swimming pools and spa tubs.
- We reserve the right to make changes to product lineup, specifications, design and finishes at any time without notice.

Acolyte does not warrant or represent that the information is free from errors or omission. The information may change without notice and Acolyte is not in any way liable for the accuracy of any information printed and stored or in any way interpreted or used.

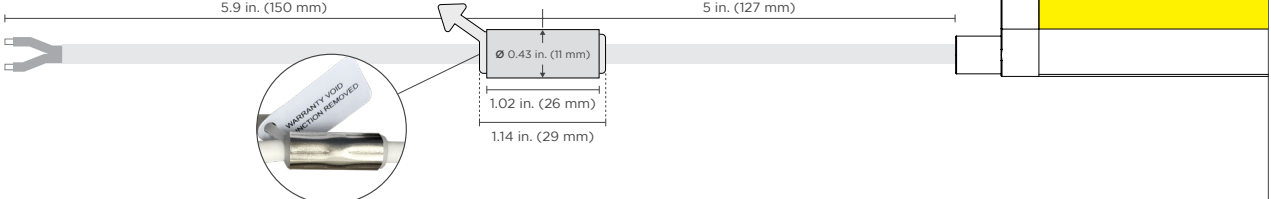
DIMENSIONS & DIAGRAMS - STATIC WHITE & VARIABLE WHITE MODELS WITH MOLDED END CAPS

WITH BOTTOM FEED MOLDED END CAP	
<p>Side View</p>  <p>Max Lengths: Static White: 42 ft 7.81 in. (13 m) Variable White: 16 ft 4.85 in. (5 m)</p>	<p>End View</p>  <p>Bottom Width: 0.31 in. (8 mm) Height: 1.05 in. (26.6 mm) Cable Diameter: 0.24 in. (6 mm)</p> <p>Width: 0.42 in. (10.6 mm) Height: 1.05 in. (26.6 mm)</p>

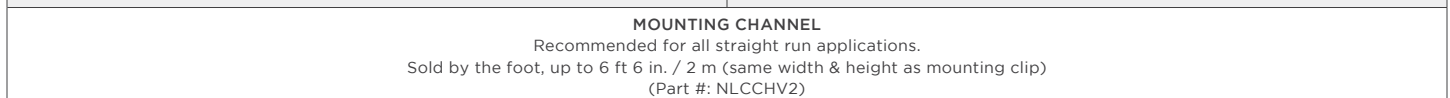
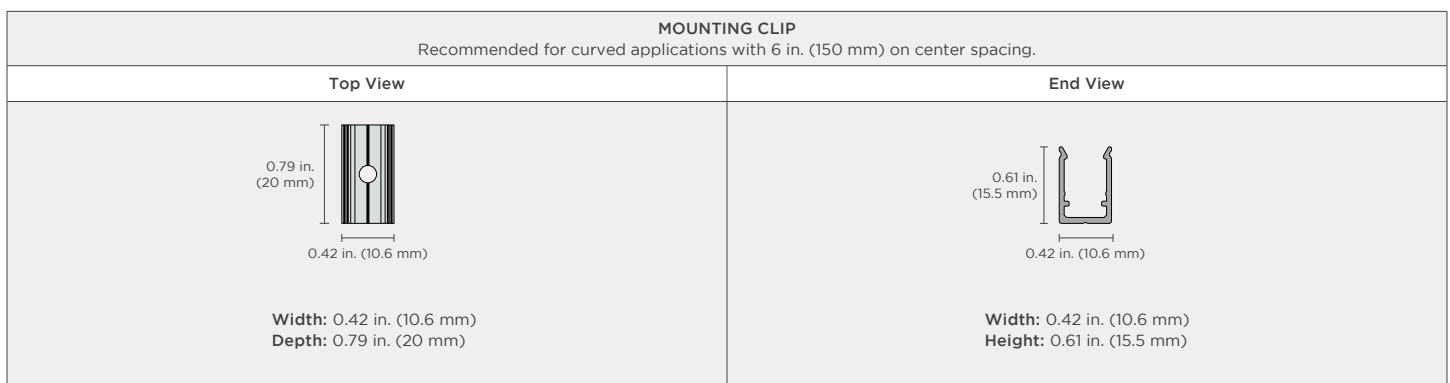
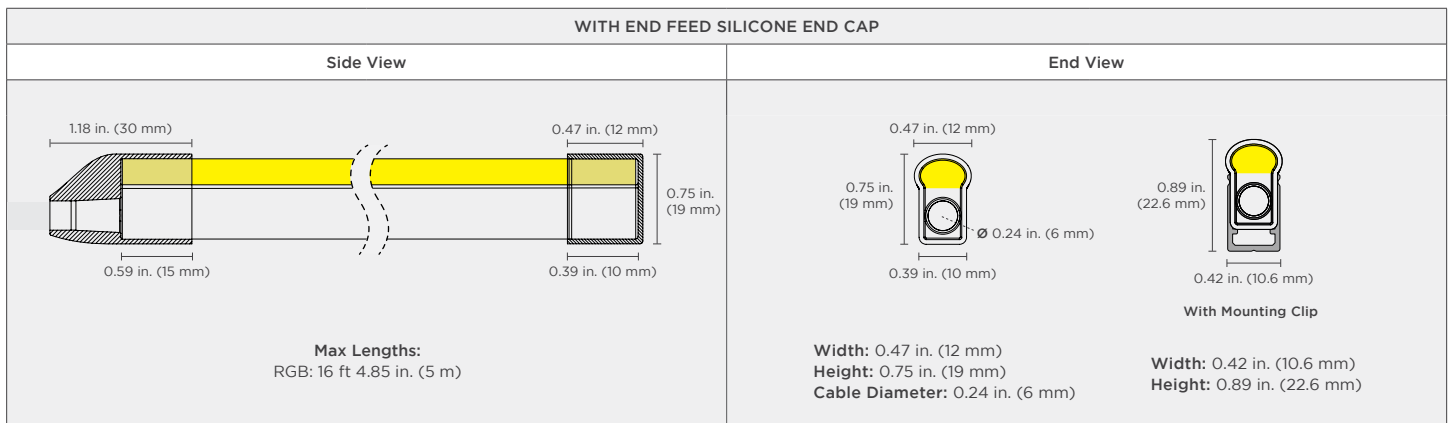
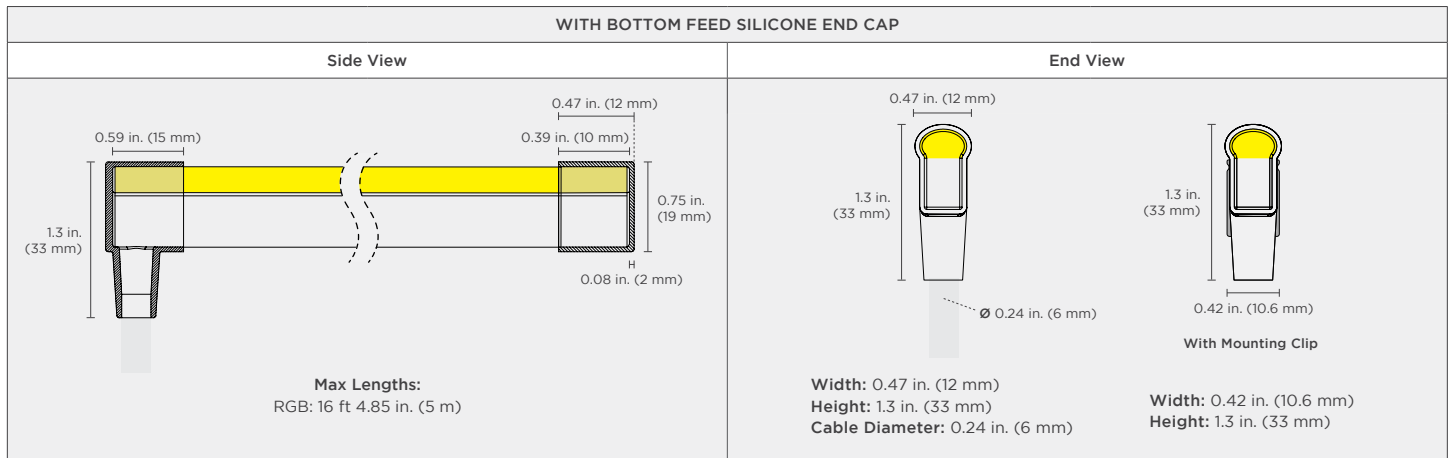
WITH END FEED MOLDED END CAP	
<p>Side View</p>  <p>Max Lengths: Static White: 42 ft 7.81 in. (13 m) Variable White: 16 ft 4.85 in. (5 m)</p>	<p>End View</p>  <p>Bottom Width: 0.31 in. (8 mm) Height: 0.67 in. (17 mm) Cable Diameter: 0.24 in. (6 mm)</p> <p>Width: 0.42 in. (10.6 mm) Height: 0.85 in. (21.6 mm)</p>

MOUNTING CLIP	
Recommended for curved applications with 6 in. (150 mm) on center spacing.	
<p>Top View</p>  <p>Width: 0.42 in. (10.6 mm) Depth: 0.79 in. (20 mm)</p>	<p>End View</p>  <p>Width: 0.42 in. (10.6 mm) Height: 0.61 in. (15.5 mm)</p>

MOUNTING CHANNEL	
Recommended for all straight run applications. Sold by the foot, up to 6 ft 6 in. / 2 m (same width & height as mounting clip) (Part #: NLCCHV2)	

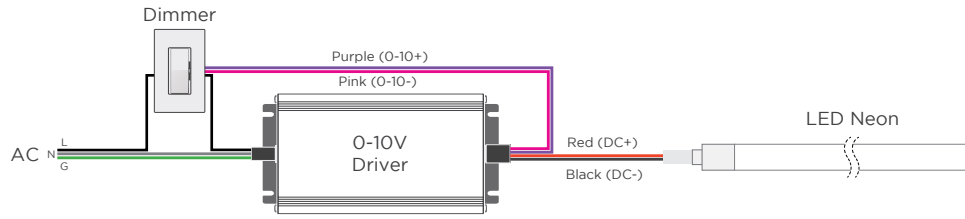
HYDRO SEAL	
The Hydro Seal clinches tightly around the conductors to prevent any water flow from the end of the wire to the circuit board through capillary effect.	
	

DIMENSIONS & DIAGRAMS - RGB MODELS WITH SILICONE END CAPS

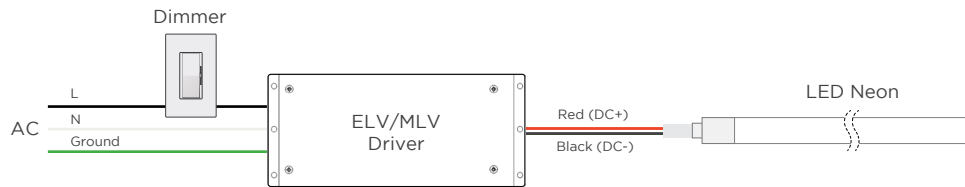


WIRING DIAGRAMS

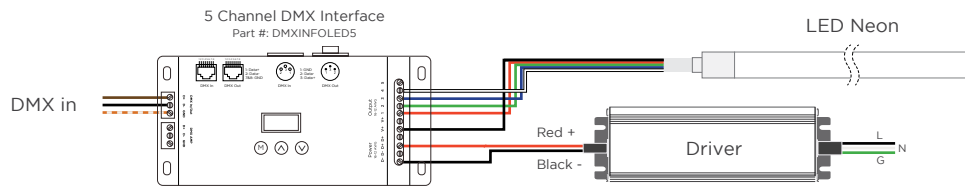
0-10V



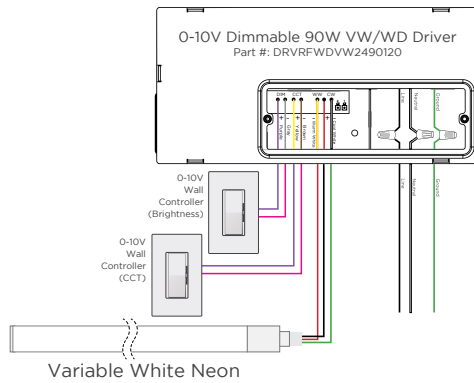
MLV / ELV



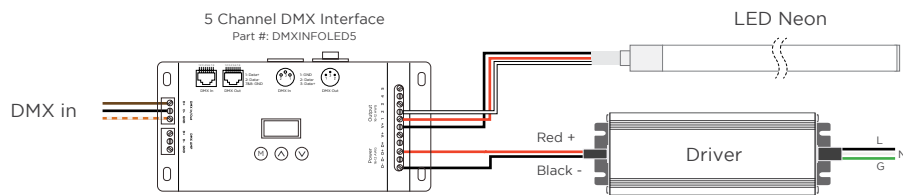
DMX



2-CHANNEL VARIABLE WHITE DIMMING



DMX WIRING DIAGRAM - COMPATIBLE WITH ALL MODELS OF VARIABLE WHITE RIBBONLYTE



WIRE COLORS PER RIBBONLYTE COLOR

STATIC WHITE
Red Wire (+) Positive
Black Wire (-) Negative

RGB
Black Wire (+) Positive
Red Wire (-) goes to Red Channel
Green Wire (-) goes to Green Channel
Blue Wire (-) goes to Blue Channel

VARIABLE WHITE
Black Wire (+) Positive
Red Wire (-) goes to Warm White Channel
White Wire (-) goes to Cool White Channel

Date:		Approved:
Type:		
Fixture:		
Project:		

FCD7002



FCD7002 Linear Inground Uplight is ETL listed for wet locations. Housing is marine grade, corrosion resistant, heavy walled, high pressure aluminum construction with 316 machined brushed stainless steel trim (aluminum well housing included). Lens is impact resistant, clear, tempered glass. Reflector is precision formed semi-specular aluminum for maximum reflectance with LED.

SPECIFICATIONS

PHYSICAL

beam spread	Spot, Narrow Flood, Flood, Wide Flood, Asymmetric
lengths/dimensions	luminaire: 4.75"W x 3.6"D x 48.8"L, mounting sleeve: 4.3"W x 9.5"D x 48"L
weight	20 lbs
housing	marine grade, corrosion resistant, high pressure aluminum (includes mounting sleeve)
lens	standard: IK10 impact compliant, 3/8" thick clear tempered, optional: SR = Slip Resistance, etched outer surface
mounting	concrete pour installation (mounting sleeve included) - drainage required (improperly installed luminaires will void warranty)
ingress protection	IP67: dry, damp or wet locations with neoprene continuous closed cell gasket to seal out contaminants
finish	316 machined stainless steel faceplate

PERFORMANCE

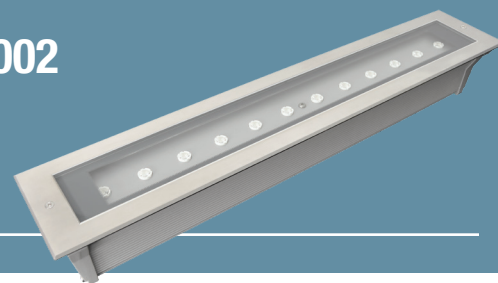
color temperature	2700K, 3000K, 3500K, 4000K
lumen output (typical)	3000 lm, 4000 lm
lumen maintenance	L90 > 70,000 hours
color consistency	2 SDCM, standard: 84CRI, optional: 90CRI
operating temperature	-13°F to 104°F (-25°C to 40°C)
warranty	5 year limited warranty

ELECTRICAL

input voltage	Universal 120 - 277 VAC
power supply	integral Class II, electronic high-power factor > 94% @ 120V
certifications	ETL / cETL Listed
standards	UL 1598 / CSA C22.2 No. 250.0 - Class I / IES LM-79 / LM-80
power consumption	28W @ 120V, 38W @ 120V
dimming interface	standard: Tri-Dim (1%, 0-10V, 120 - 277 VAC), (1%, TRIAC & ELV, 120 VAC Only)

FCD7002

Ordering Information



ORDERING INFORMATION

ORDERING INFORMATION											
FCD7002								SS			
SERIES	VOLTAGE	CCT	CRI	LUMENS (TYPICAL)	FINISH	OPTICS	OPTIONS				
FCD7002 (4 ft)	UNV UNV 120 - 277 VAC	27K 2700K	CRI84 84 CRI	30L 3000 lm (28W)	SS Stainless Steel	SP Spot	TD Tri-Dim (1%, 0-10V, 120 - 277 VAC), (1%, TRIAC & ELV, 120 VAC Only) (Standard) LVR Louver WL Opal Lens (<i>Asymmetrical N/A</i>) SR Slip Resistant (Frosted Lens)				
	120V 120 VAC (integral)	3K 3000K	CRI90 90 CRI	40L 4000 lm (38W)		NFL Narrow Flood					
	277V 277 VAC* (integral)	35K 3500K				FL Flood					
		4K 4000K				AYM Asymmetrical					
						WFL Wide Flood					

REMOTE DRIVER & BATTERY BACKUP

REMOTE DRIVER & BATTERY BACKUP											
FCD7002R		UNV						SS			
SERIES	VOLTAGE	CCT	CRI	LUMENS (TYPICAL)	FINISH	OPTICS	OPTIONS				
FCD7002R [†] (4 ft)	UNV 120 - 277 VAC	27K 2700K	CRI84 84 CRI	30L 3000 lm (28W)	SS Stainless Steel	SP Spot	TD Tri-Dim (1%, 0-10V, 120 - 277 VAC), (1%, TRIAC & ELV, 120 VAC Only) (Standard) LVR Louver WL Opal Lens (<i>Asymmetrical N/A</i>) SR Slip Resistant (Frosted Lens) BBUR ¹ Battery Backup Remote (Indoor) BBUX ² Battery Backup Remote (Outdoor) N/A Leave Blank for Remote Driver Only (without Battery Backup)				
		3K 3000K	CRI90 90 CRI	40L 4000 lm (38W)		NFL Narrow Flood					
		35K 3500K				FL Flood					
		4K 4000K				AYM Asymmetrical					
						WFL Wide Flood					

[†] LED DRIVER REMOTE (INDOOR) IP20, IK08, NEMA 1, -20°C to +50°C, 30' MAX Distance with 12AWG.

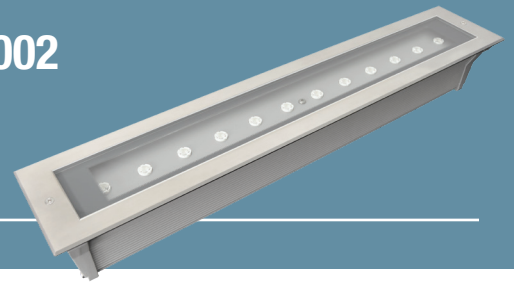
*Consult factory for outdoor remote driver only.

¹ Battery Back-up & LED Driver Remote (INDOOR), IP20, IK08, NEMA 1, 0°C to +48°C, 30' MAX Distance with 12AWG (w/UNV Option Only)

² Battery Back-up & LED Driver Remote (OUTDOOR), IP67, IK10, NEMA 4X, -20°C to +55°C, 30' MAX Distance with 12AWG (w/UNV Option Only)

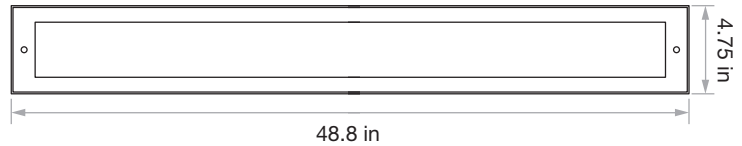
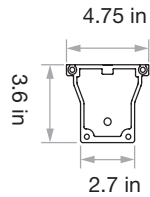


Dimensions



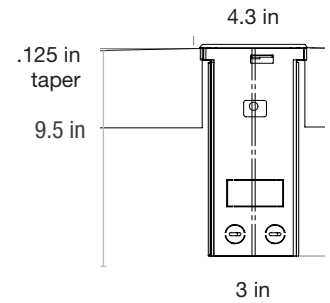
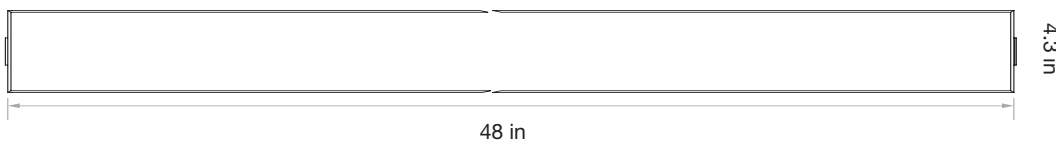
PRODUCT DIMENSIONS - STANDARD PRODUCT

width	4.75" W
depth	3.6" D
length	48.8" L



MOUNTING - mounting sleeve included, one per luminaire

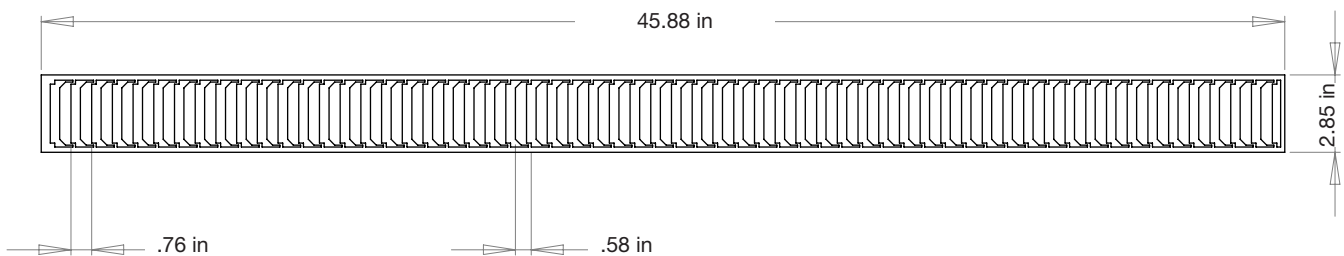
mounting sleeve width	4.3" W
mounting sleeve length	48" L
well housing depth	9.5" D

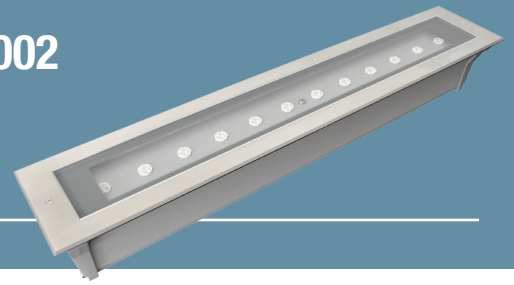


ACCESSORIES

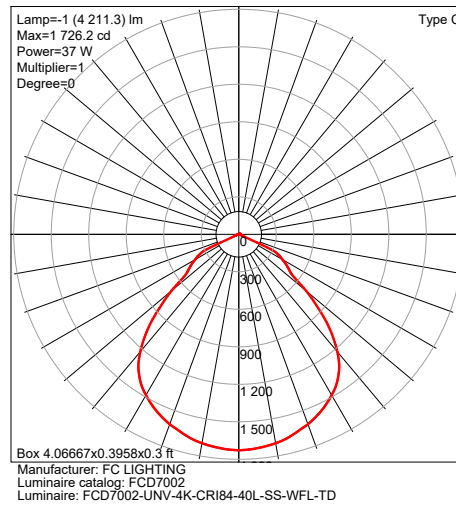
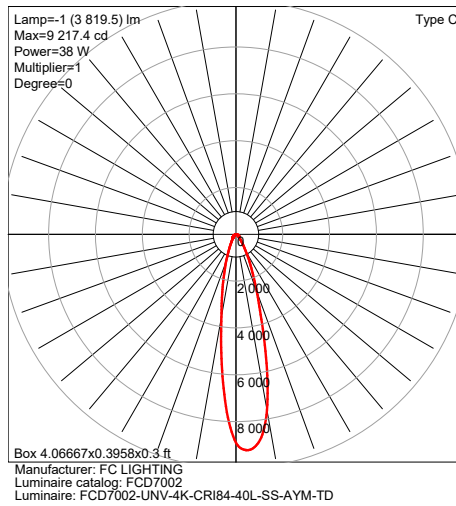
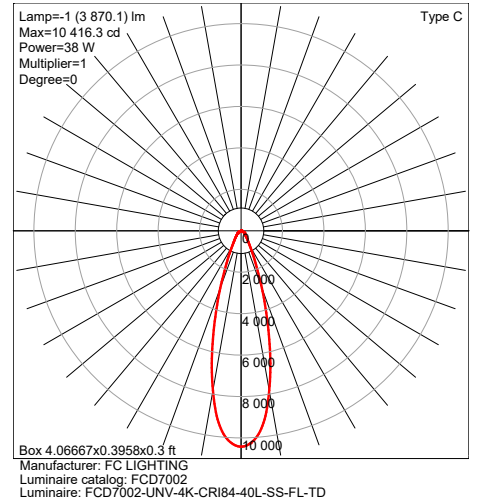
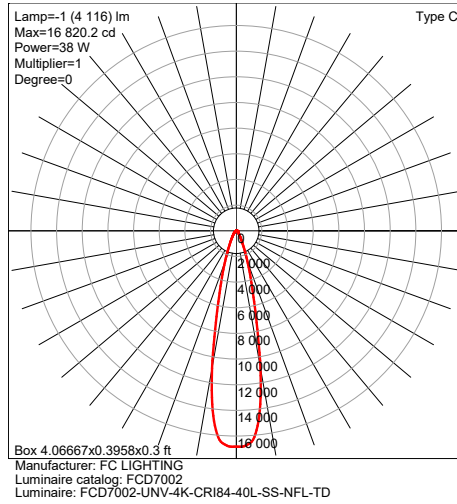
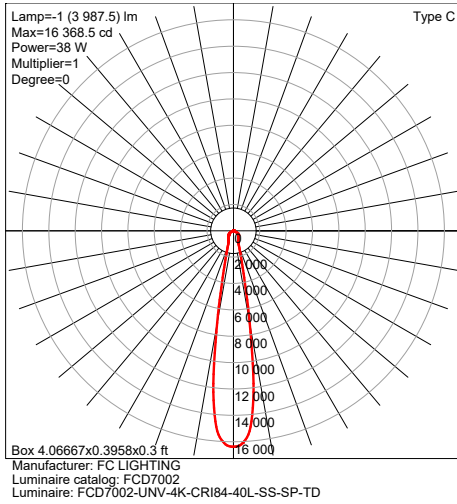
LVR - louver	inside housing
---------------------	----------------

factory installation required



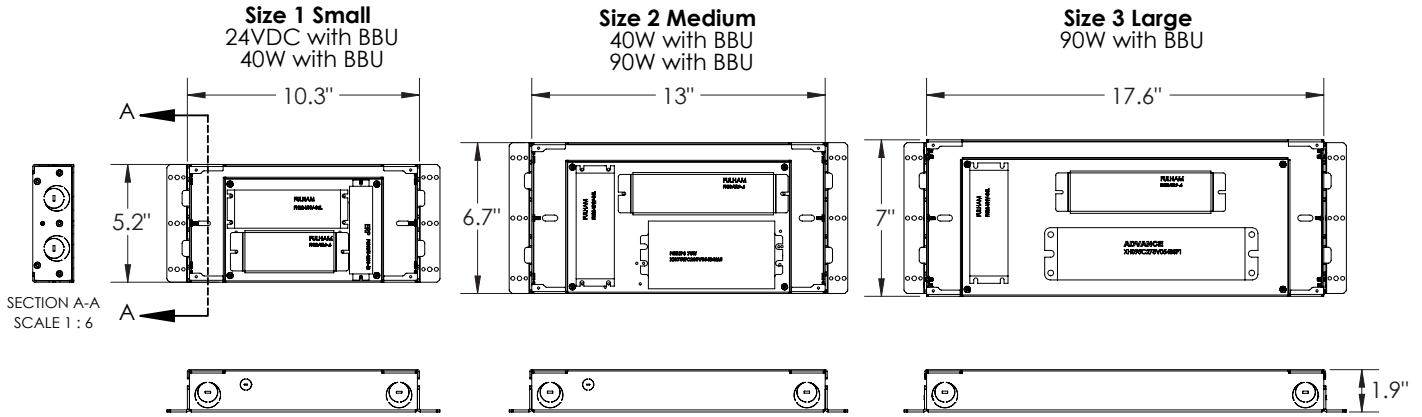


OPTICAL DISTRIBUTION FOR 40L LUMINAIRE

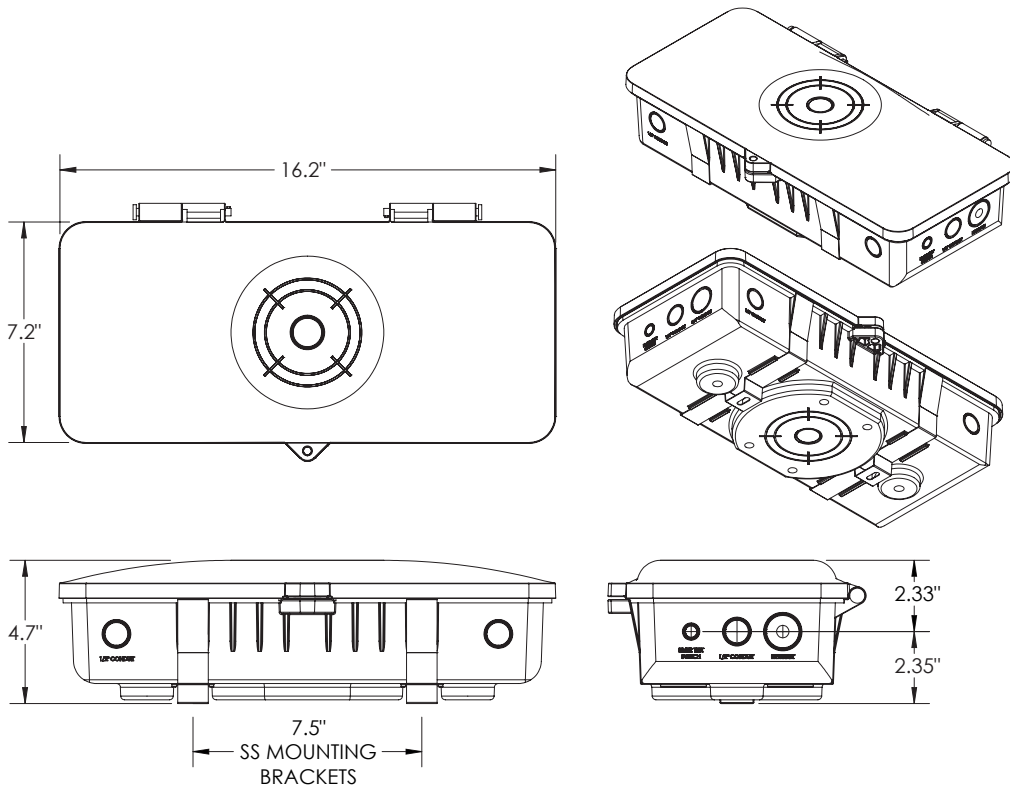


BATTERY BACK-UPS

BBUR - BATTERY BACK-UP & LED DRIVER REMOTE (INDOOR), IP20, IK08, NEMA 1, 0°C to +48°C, 30' MAX Distance with 12AWG (w/UNV Option Only)



BBUX - BATTERY BACK-UP & LED DRIVER REMOTE (OUTDOOR), IP67, IK10, NEMA 4X, -20°C to +55°C, 30' MAX Distance with 12AWG (w/UNV Option Only)





LyteProfile downlights and wall washers provide a comfortable 60° cut-off to both the actual and reflected source. Utilizes a robust frame-in kit, light engine and reflector design that is designed for a wide variety of installation conditions with a plenum depth of 4-1/2".

Project: _____
 Location: _____
 Cat.No: _____
 Type: _____
 Qty: _____
 Notes: _____

Complete unit = Fixture + Light Engine/Trim + Optional Accessories

Frame

example: 3SAS

Series	Installation	Voltage / Options
3S		
3S Uniframe 3" square frame	N New Construction Non-IC	— Universal 120/277/347V EM6 Emergency, 6W Self-Test/Self-Diagnostic ¹ LC Chicago plenum
	A AirSeal IC (1000lm max)	— Standard Universal 120/277/347V S Shallow Universal 120/277/347V ²

Light Engine / Trim

example: P3SDL10930MCLZ10US

Series	Style	Lumens	CRI / CCT	Beam
P3S				
P3S LyteProfile 3" square light engine/trim	DL Downlight	05 500lm	927 90CRI / 2700K	M Medium W Wide
	LW Lensed Wall Wash ³	07 750lm	930 90CRI / 3000K	
		10 1000lm	935 90CRI / 3500K	
		15 1500lm ⁴	940 90CRI / 4000K	

Light Engine / Trim (continued)

Reflector	Flange	Dimming	Voltage	Plenum
CL Specular clear CC Comfort clear	— White (matte) B Black (matte) ⁵ A Aluminum Diffuse (painted)	Z10 0-10V 1% dimming	U 120V/277V 3 347V (0-10v only) ⁹	— Standard depth S Shallow for shallow IC frame ²
CD Comfort clear diffuse	— White (matte) P Matching reflector	Z10D20 0-10V 1% dimming w/ dim-to-off L01 Lutron PEQ0 dimming w/ dim to 0.1% ^{6,9} (not compatible with Shallow (S) plenums)	U 120V/277V (order T347-75VA accessory for 347V)	
WH White (matte) BK Black (matte)	— White (matte) B Black (matte) ⁵	E Electronic low voltage dimming	1 120V	
		RA Integral Interact Pro RF sensor ⁷	U 120V/277V	

Accessories

- SBA** Interact Ready System Bridge Accessory with integral occupancy and daylight sensor (compatible with all 0-10V options, see SBA spec sheet)⁸
- CAEM6** Field installable Bodine BSL6 6W battery pack with self-test/self-diagnostic for use with new construction frames (120-277V)
- CAEM6TSCP** Must be ordered with EM6 frame for remote test switch (see page 2 for details)
- T347-75VA** 347:120V step-down transformer for non-IC (N) frame only (see page 3 for details)

- Emergency (EM6) frame requires remote mounted test switch. Order CAEM6TSCP mounting plate accessory (not compatible with 347V).
- Must order shallow IC frame (S), shallow engine / shallow trim (S) for complete shallow assembly. Shallow configurations available in 750lm (07) and 1000lm (10) only with ELV or 0-10V.
- Lensed wall wash (LW) has a 1000lm (10) limit in Non-IC (N) configurations and 500lm (05) limit in IC (A) configurations (wide beam only).
- The 1500lm (15) option is not available with standard AirSeal IC frame (3RA-).
- Consult factory with ETO request for black (B) flange for all styles.
- Lutron PEQ0 (L01) dimming available only with 500lm (05) and 1000lm (10) lumen options.
- Linear driver profile. See page 5 for details. Specify only with non-IC (N) frame, not for use with LC or EM6 options.
- Requires IRT9015 IR remote & Interact Pro App for commissioning.
- The 500lm (05) option is not available.



P3S LyteProfile 3"

Square downlight

Frame-in-kits

New construction:

Galvanized stamped steel for dry or plaster ceilings. Preinstalled telescoping mounting bars from 13" to 24". For 4' distances, use 1/2" EMT, 1-1/2" x 1/2" U or C channel.

Max ceiling thickness is 2" (51 mm)

Patented install mounting frame:

- Pre-installed mounting bars for fast and tool-less installs into T-grid & hat channel ceilings.
- Close-cut aperture design eliminates possibility of gap between ceiling opening and reflector flange.
- Separate wiring compartment for wiring frame to building allows inspection prior to light engine install.
- Simple plug-and-play connection between frame and light engine from below ceiling.

Dimming

All configurations are FCC Class A unless otherwise specified.

- Advance 0-10V 1% (Z10)
- Lutron PEQO Hi-lume Premier 0.1% EcoSystem
- Electronic low voltage (ELV) - Remodel and AirSeal IC Shallow are FCC Class B

Optical systems

Quality of light: 2 SDCM ensures color consistency from fixture to fixture and over the luminaire's long lifetime.

Construction: Precision formed high grade aluminum reflectors with options for anodized or painted finishes.

Comfort throughout the space: 60° cutoff.

Light Engine

Quick connect power pack allow for easy installation and replacement from below ceiling with no need for additional wiring. This allows for:

- Frame and ceiling installation to be performed while still finalizing details such as lumen packages, CCT and control type.
- Easy replacement of electronics at end of life with minimal wasted material and labor required.
- Ease and upgradability of technology.
- Predicted 70% lumen maintenance to 57,000 hrs.
- Max operating ambient temperature of 30°C.
- 347V light engines are Z10 dimming only and include dedicated 347V driver. For 347V non-Z10 dimming, order T347-75VA field-installed step-down transformer accessory.

Options and Accessories

Field Installed Emergency: Refer to Calculite-LyteProfile-EasyLyte Emergency Battery Pack specification sheet for more details.

CAEM6: Field install EM6 kit with Bodine BSL6 6W battery pack with self-test/self-diagnostic, mounts to new construction frames. Includes remote ceiling plate for test switch.

CAEM6TSCP: Ceiling cover plate for remote mounted EM6 test switch. 1/2" (25mm) hole, 4 3/8" (109mm) x 2 3/4" (69mm) rectangular. Includes two mounting screws.

T347-75VA Field installable: 347:120V 75VA step-down transformer, attaches to knock out on frame junction box, for use with non-IC (N) frame only.

Emergency

Bodine BSL6 6W battery pack with self-test/diagnostic functionality. Factory or field mounted to frame.

- For remote ceiling mounted test switch, order standard light engine (ex: P3SDL10935WCDZ10U). Optional accessory ceiling mounting plate available (CAEM6TSCP) for remote mounted test switch.
- Refer to Calculite-LyteProfile-EasyLyte Emergency Battery Pack specification sheet for more details.

ENERGY STAR® exceptions

- BK finishes
- 347V & Emergency voltage/options
- Lutron configurations

Title 24 exceptions

- BK finishes
- Must be installed in shallow AirSeal IC Frame
- Downlight (DL): 500lm and 1000lm only
- Lensed wall wash (LW): 500lm only

Labels and listings

- cULus listed for wet locations
- ENERGY STAR® certified
- CEC Title 24 JA8 certified
- CCEA (frames with *LC suffix)

Warranty



5 year limited warranty
Visit Signify.com/warranties for more information on Signify's standard 5-year limited warranty on complete luminaire systems.

0-10V electrical tables (50/60Hz Input Freq.)

Light engine	Input Volts	Input Current	LED Drive Current	Input Power	LED Power	THD Factor	Power Factor
						@ Max Load	
P3SDL05_Z10U/3	120V	0.041A	0.12A	4.9W	3.9W	<10%	>0.9
	277V	0.019A	0.12A	5.1W	3.9W	<30%	>0.8
	347V	0.017A	0.12A	5.8W	3.9W	<20%	>0.9
P3SDL07_Z10U/3	120V	0.066A	0.19A	7.9W	6.5W	<10%	>0.9
	277V	0.029A	0.19A	8.0W	6.5W	<20%	>0.8
	347V	0.026A	0.19A	9.2W	6.5W	<20%	>0.9
P3SDL10_Z10U/3	120V	0.078A	0.23A	9.3W	7.7W	<10%	>0.9
	277V	0.034A	0.23A	9.5W	7.7W	<10%	>0.8
	347V	0.031A	0.23A	10.9W	7.7W	<20%	>0.9
P3SDL15_Z10U/3	120V	0.119A	0.35A	14.3W	11.9W	<10%	>0.9
	277V	0.052A	0.35A	14.3W	11.9W	<10%	>0.9
	347V	0.047A	0.35A	16.3W	11.9W	<20%	>0.9
P3SDL07_Z10U_S	120V	0.066A	0.19A	7.9W	6.5W	<10%	>0.9
	277V	0.029A	0.19A	8.0W	6.5W	<20%	>0.8
	347V	0.026A	0.19A	9.2W	6.5W	<20%	>0.9
P3SDL10_Z10U_S	120V	0.078A	0.23A	9.3W	7.7W	<10%	>0.9
	277V	0.034A	0.23A	9.5W	7.7W	<10%	>0.8
	347V	0.031A	0.23A	10.9W	7.7W	<20%	>0.9

ELV electrical tables (50/60Hz Input Freq.)

Light engine	Input Volts	Input Current	LED Drive Current	Input Power	LED Power	THD Factor	Power Factor
						@ Max Load	
P3SDL05_E1	120V	0.052A	0.15A	6.2W	5.1W	<10%	>0.9
P3SDL07_E1	120V	0.067A	0.20A	8.1W	6.8W	<10%	>0.9
P3SDL10_E1	120V	0.083A	0.25A	10.0W	8.5W	<10%	>0.9
P3SDL15_E1	120V	0.115A	0.35A	13.8W	11.9W	<10%	>0.9
P3SDL07_E1_S	120V	0.067A	0.20A	8.1W	6.8W	<10%	>0.9
P3SDL10_E1_S	120V	0.083A	0.25A	10.0W	8.5W	<10%	>0.9

Lutron electrical tables (50/60Hz Input Freq.)

Light engine	Input Volts	Input Current	LED Drive Current	Input Power	LED Power	THD Factor	Power Factor
						@ Max Load	
P3SDL05_LU	120V	0.040A	0.12A	4.8W	3.9W	<25%	>0.9
	277V	0.017A	0.12A	4.8W	3.9W	<20%	>0.5
P3SDL07_LU	120V	0.063A	0.19A	7.5W	6.5W	<20%	>0.9
	277V	0.028A	0.19A	7.7W	6.5W	<15%	>0.6
P3SDL10_LU	120V	0.073A	0.23A	8.8W	7.7W	<15%	>0.9
	277V	0.033A	0.23A	9.1W	7.7W	<15%	>0.6
P3SDL15_LU	120V	0.114A	0.35A	13.7W	11.9W	<10%	>0.9
	277V	0.049A	0.35A	13.7W	11.9W	<15%	>0.7

P3S LyteProfile 3"

Square downlight

interact

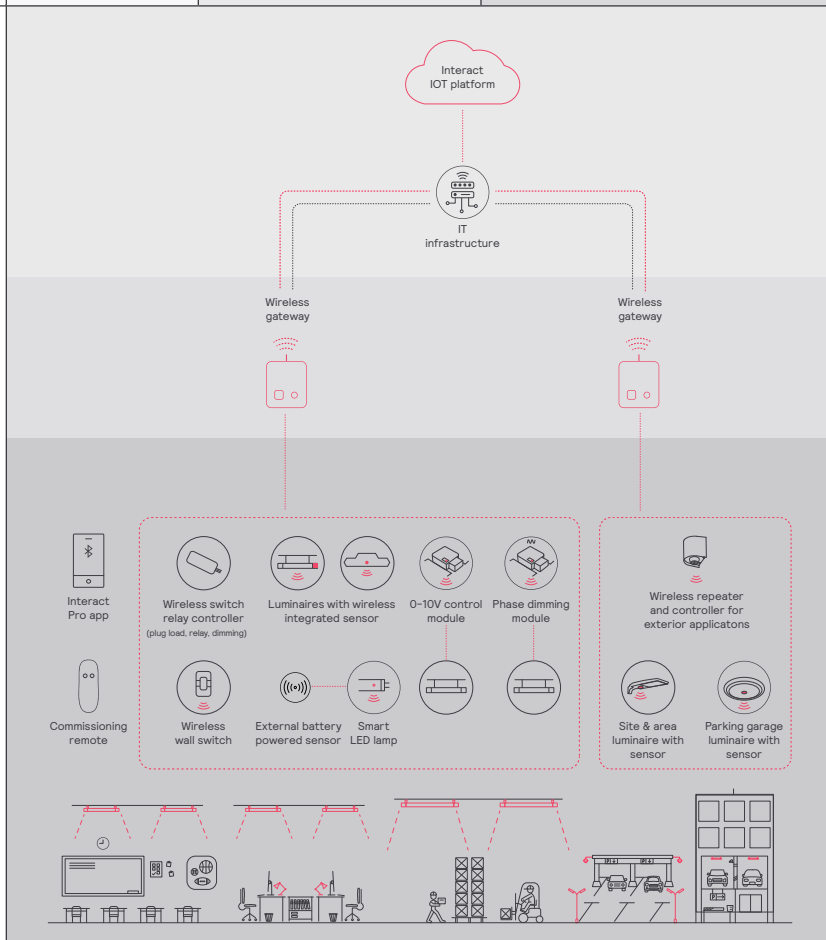
	Gateway Connected		
	Standalone	Option 1	Option 2
Dimming, grouping, and zoning	✓	✓	✓
Bluetooth and ZigBee enabled	✓	✓	✓
Motion sensing and daylight harvesting	✓	✓	✓
Integration with 0-10V and phase dimming fixtures	✓	✓	✓
Code compliance	✓	✓	✓
Granular dimming and dwell time	✓	✓	✓
Correlated color temperature (CCT) tuning by switch	New ✓	✓	✓
Support for sensor-based Tunable White luminaires	New ✓	✓	✓
Energy reporting and monitoring		✓	✓
Scheduling		✓	✓
Demand response		✓	✓
BMS integration (BACnet)			✓
Floor plan visualization			✓
IoT sensors for wellness			✓
IoT Apps for productivity			✓

Currently supported maximum system size

To be able to design the lighting system correctly for the customer, it is important to know the prime characteristics of the system, its possibilities and limitations.

System level	
Total number of gateways	Unlimited
Total number of devices	200 per network
• Luminaires with integrated sensors	150
• Smart TLEDS	150
• Zones + groups	64
Total number of ZGP devices (sensors and switches)	50
• Sensors	30
• Switches	50

Group level	
Recommended number of lights	40 (maximum 150)
Number of ZGP devices	5
Number of scenes	16



P3S LyteProfile 3"

Square downlight

Wireless controls options

Interact

- SWZCS is a connected sensor with integral occupancy and daylight sensing and supports wireless mesh connectivity.
- The sensor works in the standalone mode (similar to SpaceWise) when configured without a gateway or in a cloud connected mode if a compatible gateway is used.
- Interact includes an App, a portal and a broad portfolio of wireless luminaires, lamps and retrofit kits all working on the same system.
- Startup is implemented via Interact Pro App (Android or iPhone) & Bluetooth connectivity. The App provides flexibility to choose between a gateway or non gateway mode for setup.
- Setup with the gateway requires wired internet access to the gateway. It is possible to add a gateway at a later point.
- Prepare project configuration steps remotely and use IRT9015 remote on-site to identify and group devices together.

Compatible with:

- SWS200 & UID8465 wireless scene switch
- Battery powered IP42 presence sensor OCC sensor IA CM WH 10/1
- Battery powered IP42 presence & daylight sensor OCC-DL sensor IA CM IP42 WH
- LCN3110: battery powered IP65 presence sensor, OCC sensor IA CM IP65W
- LCN3120: battery powered IP65 presence & daylight sensor, OCC-DL sensor IA CM IP65 WH
- For more information on Interact visit: interact-lighting.com/interactproscalablesystem

Radio only sensor (RA or RADIO)

- Integral RA or RADIO only sensor simply enables wireless mesh connectivity to the luminaire without any occupancy or daylight sensing.
- Ideal for applications where sensing functionality is managed by other Interact devices and the luminaire only needs to have wireless connectivity.
- Interact includes an App, a portal and a broad portfolio of wireless luminaires, lamps and retrofit kits all working on the same system.
- Startup is implemented via Interact Pro App (Android or iPhone) & Bluetooth connectivity. The App provides flexibility to choose between a gateway or non-gateway mode for setup.
- Setup with the gateway requires wired internet access to the gateway. It is possible to add a gateway at a later point.
- Prepare project configuration steps remotely, identify and group devices together onsite.
- Compatible with SWS200 and UID8465 wireless scene switch, wireless Occ sensor (OCC SENSOR IA CM IP42 WH 10/1) and wireless Day/Occ sensor (OCC MULTI SENSOR IA CM WH 10/1).
- For more information on Interact visit: interact-lighting.com/interactproscalablesystem

Sensor bundle (IAOSB or SB)

- A wireless IoT connected lighting solution for large enterprises that span across multiple floors, buildings and require multiple gateways.
- View all your projects under one dashboard and easily compare insights from multiple projects in one view.
- Compatible with SWS200 wireless scene switch, wireless Occ sensor (OCC SENSOR IA CM IP42 WH 10/1) and wireless Day/Occ sensor (OCC MULTI SENSOR IA CM WH 10/1) and wireless Occupancy or Daylight & Occupancy sensors available. Use Interact software and insights to increase building efficiency, achieve building wide integration and optimize space through occupancy analytics.
- IAOSB or SB option in addition to occupancy and daylights sensing supports advanced IoT capabilities, such as people estimation analysis, desk level temperature & humidity sensing, noise classification, and BLE beacon.
- Requires compatible Gateway and internet connectivity for commissioning.
- For more information, visit: interact-lighting.com/interactproscalablesystem

Emergency Options (ER100)

- **Power Sensing** (factory default) – Recommended UL924 option requires unswitched power sense line, absence of voltage on the normal circuit triggers luminaire to 100% output.
- **Power Interruption Detection** (field option) – Detects AC power interruption >30ms triggers 90 minute emergency mode with luminaire at 100% output.

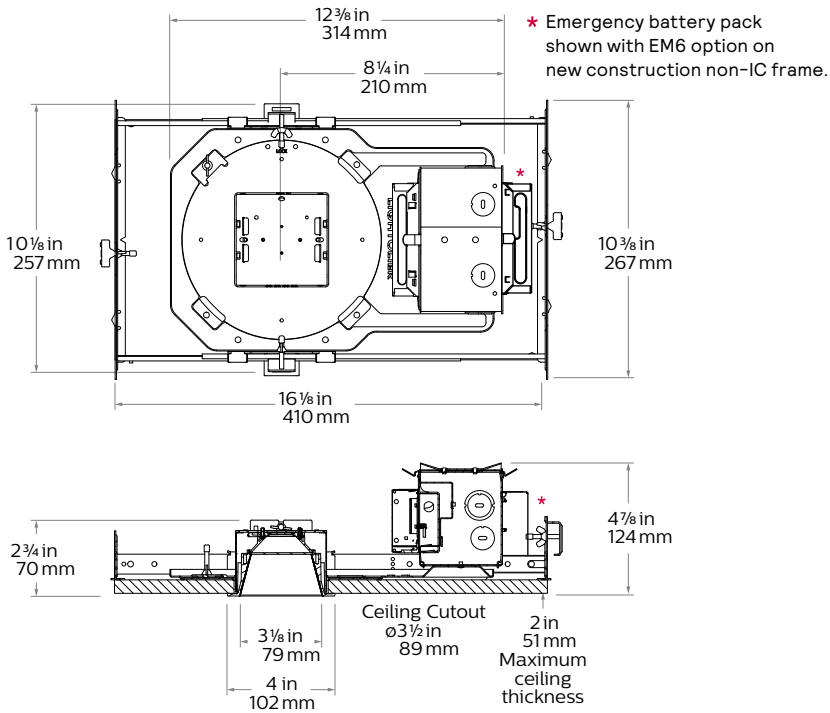
Interact supported sensor option codes across Genlyte product lines

	Evokit	Day-Brite	Ledalite	Lightolier
ZigBee + Bluetooth + Sensing	SWZCS	SWZCS	CS	SBA accessory (external)
ZigBee + Bluetooth	RADIO	RADIO	RA	RA
ZigBee + Bluetooth + Sensing + Environmental data	IAOSB	IAOSB	SB	SB
ZigBee + Highbay + Sensing	-	SWZCSH	-	-

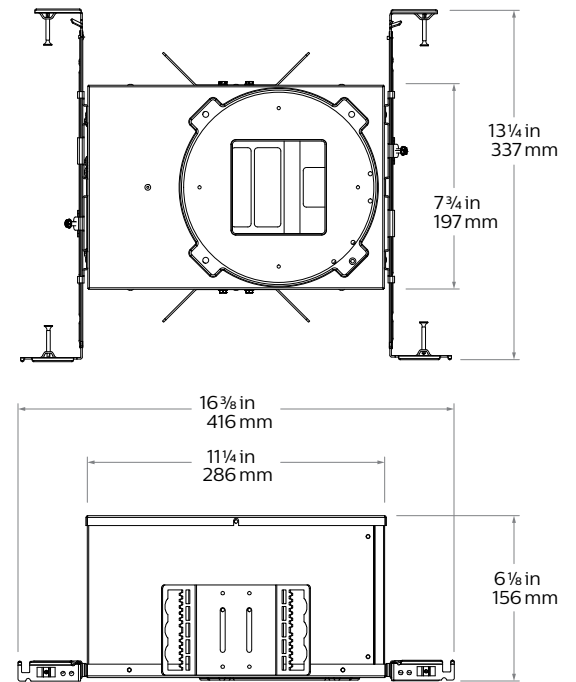
P3S LyteProfile 3"

Square downlight

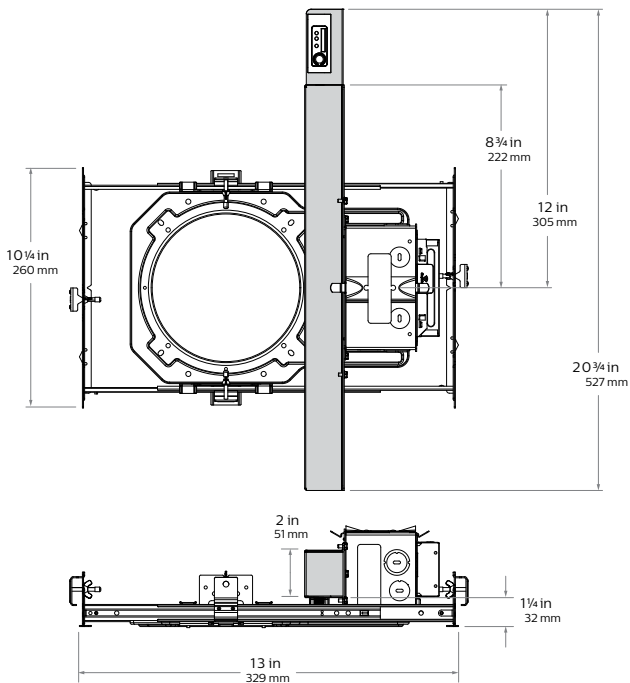
New construction (N)



Standard IC (A) and Chicago plenum (LC)

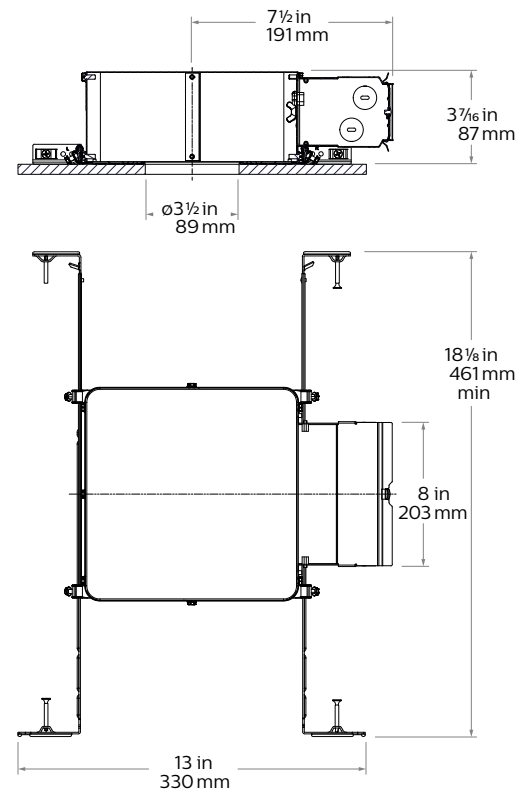


Linear driver (RA)



Requires either top access or 19" plenum space without sensor, and 22" with sensor.

Shallow IC (S)



P3S LyteProfile 3"

Square downlight

Polished Reflectors Shown as round reflectors but represent the finish of LyteProfile square reflectors.



Specular clear (CL): Most specular and most efficient finish, delivers maximum photometric performance but can produce a mirror image effect of the interior space.



White (WH): (matte) Brightest illuminated aperture and provides the smoothest transition to most ceilings when off (white is only available with a white flange).



Comfort clear (CC): Semi-specular finish that softens the light at the source of the reflector and creates a subtle, even luminance from the reflector cone.



Black (BK): (matte) Painted finish that provides the lowest aperture brightness possible and significantly reduces source identification in a ceiling.



Comfort clear diffuse (CD): Slightly diffuse clear finish, that eliminates iridescence and reduces the mirror image effect inherent with specular finishes.

Flanges



White (-): (matte) Provides the smoothest transition to ceilings when off.



Polished (P): (matches aperture) Produces a continuous look throughout the reflector (aperture matching).



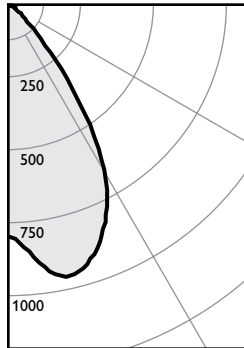
Aluminum (A): Slightly diffuse clear finish, that eliminates iridescence and reduces the mirror image effect inherent with specular finishes.

P3S LyteProfile 3"

Square downlight

Downlight, Medium Beam, 1000lm engine, 106 lm/W at 10.4W

Candela Curve



Frame: **3RN**
Engine / Trim:
P3SDL10935MCLZ10U

Output lumens: 1121 lms
Input watts: 10.6 W
CRI: 90 min
CCT¹: 3500K
Spacing Crit.: 1.2
Beam Angle: 69°

Zonal summary

Zone	Lumens	%Luminaire
0-30	709	63.2%
0-40	991	88.4%
0-60	1119	99.8%
0-90	1121	100.0%

Angle	Mean CP	Lumens
0	794	
5	851	
10	937	84
15	947	
20	889	264
25	795	
30	658	361
35	459	
40	256	282
45	124	
50	58	103
55	26	
60	7	25
65	1	
70	0	2
75	0	
80	0	0
85	0	
90	0	0

Single unit data

Height to lighted plane	Initial center beam foot-candles	Beam diameter (ft)*
5'	32	6.0'
6'	22	7.2'
7'	16	8.4'
8'	12	9.6'
9'	10	10.8

* Beam diameter is where foot-candles drop to 50% of maximum.

Multiple unit data - RCR 2

Spacing on center	Initial center beam foot-candles	Watts per sq. ft.
5'	51.0	0.47
6'	33.0	0.31
7'	24.0	0.22
8'	20.0	0.18
9'	16.0	0.15

38' x 38' x 10' Room, Workplane 2.5' above floor, 80/50/20% Reflectances

Efficacy: 105.8lm/w
Report#: P3SDL10935MCLZ10U.IES

Adjustment Factors

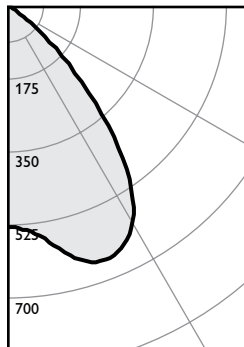
Finish	CCT	Lumens
CL = 101%	90CRI 4000K = 107%	1500lm = 150%
CC = 100%	90CRI 3500K = 100%	1000lm = 100%
CD = 96%	90CRI 3000K = 93%	500lm = 70%
WH = 92%	90CRI 2700K = 87%	
BK = 56%		

Coefficients of utilization

Ceiling	80%				70%				50%				30%				0%
	70	50	30	10	50	10	50	10	50	10	50	10	50	10	50	10	0
RCR	Zonal cavity method - Effective floor reflectance = 20%																
Room Cavity Ratio	0	119	119	119	119	116	116	111	111	106	106	100	100	106	106	100	
1	113	110	108	105	108	104	104	101	101	100	98	93	93	94	89	86	
2	107	102	98	94	100	93	97	91	91	94	89	86	86	88	82	79	
3	101	95	89	85	93	84	90	83	83	88	82	79	79	82	75	73	
4	96	88	82	77	87	77	84	76	76	82	75	73	73	77	69	67	
5	90	82	75	71	81	70	79	70	70	77	69	67	67	72	64	62	
6	85	76	70	65	75	65	74	64	64	72	64	62	62	68	59	57	
7	81	71	64	60	70	60	69	59	59	68	59	57	57	64	55	53	
8	76	66	60	56	66	55	65	55	55	64	55	53	53	60	51	50	
9	72	62	56	52	62	52	61	51	51	60	51	50	50	56	48	46	
10	69	58	52	48	58	48	57	48	48	56	48	46	46	54	44	43	

Downlight, Wide Beam, 1000lm engine, 100 lm/W at 10.4W

Candela Curve



Frame: **3RN**
Engine / Trim:
P3SDL10935WCLZ10U

Output lumens: 1039 lms
Input watts: 10.6 W
CRI: 90 min
CCT¹: 3500K
Spacing Crit.: 1.44
Beam Angle: 79°

Zonal summary

Zone	Lumens	%Luminaire
0-30	522	49.3%
0-40	833	78.7%
0-60	1057	99.8%
0-90	1059	100.0%

Angle	Mean CP	Lumens
0	529	
5	539	
10	573	53
15	623	
20	649	177
25	639	
30	596	292
35	507	
40	373	311
45	228	
50	115	178
55	46	
60	11	46
65	1	
70	0	3
75	0	
80	0	0
85	0	
90	0	0

Single unit data

Height to lighted plane	Initial center beam foot-candles	Beam diameter (ft)*
5'	21	7.2'
6'	15	8.6'
7'	11	10.1'
8'	8	11.5'
9'	7	13.0

* Beam diameter is where foot-candles drop to 50% of maximum.

Multiple unit data - RCR 2

Spacing on center	Initial center beam foot-candles	Watts per sq. ft.
5'	47.0	0.47
6'	31.0	0.31
7'	22.0	0.22
8'	18.0	0.18
9'	15.0	0.15

38' x 38' x 10' Room, Workplane 2.5' above floor, 80/50/20% Reflectances

Efficacy: 99.9lm/w
Report#: P3SDL10935WCLZ10U.IES

Adjustment Factors

Finish	CCT	Lumens
CL = 101%	90CRI 4000K = 107%	1500lm = 150%
CC = 100%	90CRI 3500K = 100%	1000lm = 100%
CD = 96%	90CRI 3000K = 93%	500lm = 70%
WH = 92%	90CRI 2700K = 87%	
BK = 56%		

Coefficients of utilization

Ceiling	80%				70%				50%				30%				0%
	70	50	30	10	50	10	50	10	50	10	50	10	50	10	50	10	0
RCR	Zonal cavity method - Effective floor reflectance = 20%																
Room Cavity Ratio	0	119	119	119	119	116	116	111	111	106	106	100	100	106	106	100	
1	113	109	107	104	107	102	103	99	99	99	96	92	92	92	87	83	
2	106	100	96	92	99	91	95	89	89	92	87	83	83	88	82	79	
3	99	92	86	81	90	81	88	79	79	85	78	75	75	82	75	73	
4	93	84	78	73	83	72	81	71	71	79	71	68	68	77	69	67	
5	87	77	70	65	76	65	74	64	64	73	64	62	62	72	64	62	
6	82	71	64	59	70	59	69	58	58	67	58	56	56	64	55	53	
7	76	66	59	54	65	53	64	53	53	62	53	51	51	60	51	50	
8	72	61	54	49	60	49	59	49	49	58	48	47	47	56	48	46	
9	68	56	49	45	56	45	55	45	45	54	44	43	43	52	44	43	
10	64	52	46	41	52	41	51	41	41	50	41	40	40	48	40	39	

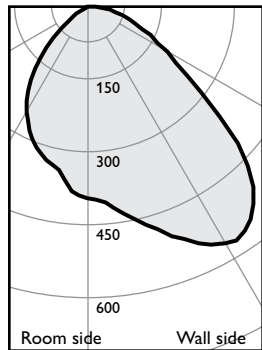
1. Correlated Color Temperature within specs as defined in ANSI_NEMA_ANSLG C78.377-2008: Specifications for the Chromaticity of Solid State Lighting Products.
2. Tested using absolute photometry as specified in LM79: IESNA Approved Method for the Electrical and Photometric Measurements of Solid-State Lighting Products.

P3S LyteProfile 3"

Square downlight

Wall wash, Wide Beam, 1000lm engine, 90 lm/W at 10.3W

Candela Curve



Frame: 3SN
Engine / Trim:
P3SLW10935WCCZ10U

Output lumens: 926 lms
Input watts: 10.3 W
CRI: 90 min
CCT: 3500K

Efficacy: 90.0 lm/w
Report#: F41040

Multiple unit data

Footcandles on wall

Distance from ceiling in feet	2' from wall		
	3' on ctr.		
1	29	26	29
2	46	42	46
3	37	36	37
4	24	24	24
5	15	15	15
6	10	11	10
7	7	8	7
8	6	6	6
9	4	4	4
10	3	4	3
12	3	3	3
14	2	2	2

Multiple unit data

Footcandles on wall

Distance from ceiling in feet	2' from wall		
	4' on ctr.		
1	25	16	25
2	38	26	38
3	30	25	30
4	19	18	19
5	12	12	12
6	8	9	8
7	6	6	6
8	5	5	5
9	4	4	4
10	3	3	3
12	3	3	3
14	2	2	2

Multiple unit data

Footcandles on wall

Distance from ceiling in feet	2' from wall		
	5' on ctr.		
1	26	9	26
2	38	16	38
3	28	17	28
4	16	13	16
5	10	10	10
6	7	7	7
7	5	5	5
8	4	4	4
9	3	3	3
10	3	3	3
12	2	2	2
14	2	2	2

Adjustment factors

Finish	CCT	Lumens
CL = 109%	90CRI 4000K = 107%	1500lm = 150%
CD = 109%	90CRI 3500K = 100%	1000lm = 100%
WH = 109%	90CRI 3000K = 93%	750lm = 75%
CC = 100%	90CRI 2700K = 87%	500lm = 70%
BK = 89%		

1. Correlated Color Temperature within specs as defined in ANSI_NEMA_ANSI C78.377-2008: Specifications for the Chromaticity of Solid State Lighting Products.
2. Tested using absolute photometry as specified in LM79: IESNA Approved Method for the Electrical and Photometric Measurements of Solid-State Lighting Products.



© 2023 Signify Holding. All rights reserved. The information provided herein is subject to change, without notice. Signify does not give any representation or warranty as to the accuracy or completeness of the information included herein and shall not be liable for any action in reliance thereon. The information presented in this document is not intended as any commercial offer and does not form part of any quotation or contract, unless otherwise agreed by Signify.

Signify North America Corporation
400 Crossing Blvd, Suite 600
Bridgewater, NJ 08807
Telephone: 800-555-0050

Signify Canada Ltd.
281 Hillmount Road,
Markham, ON, Canada L6C 2S3
Telephone: 800-668-9008

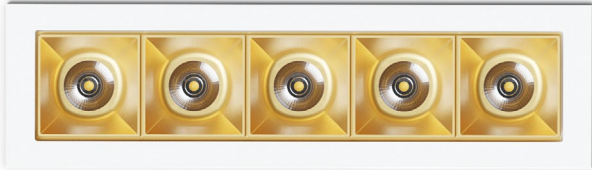
All trademarks are owned by Signify Holding or their respective owners.

MINIMALIST™

1" | Recessed | Standard LED

Our Minimalist range of low glare, micro downlights combine miniaturized luminaires with superior performance in an incredibly small, sleek package. Glare is kept extremely low by recessing the LED 1" deep.

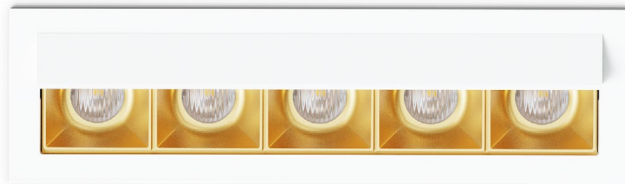
FIXED



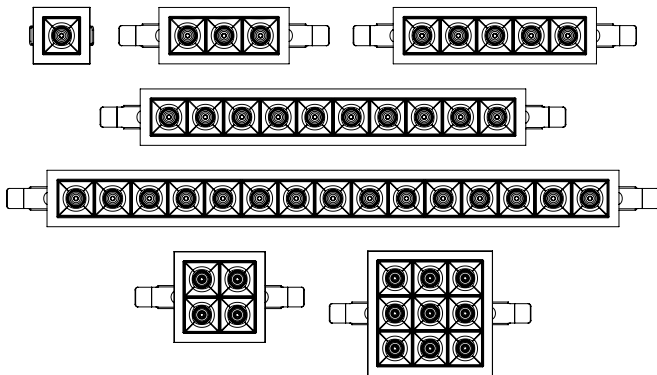
ADJUSTABLE



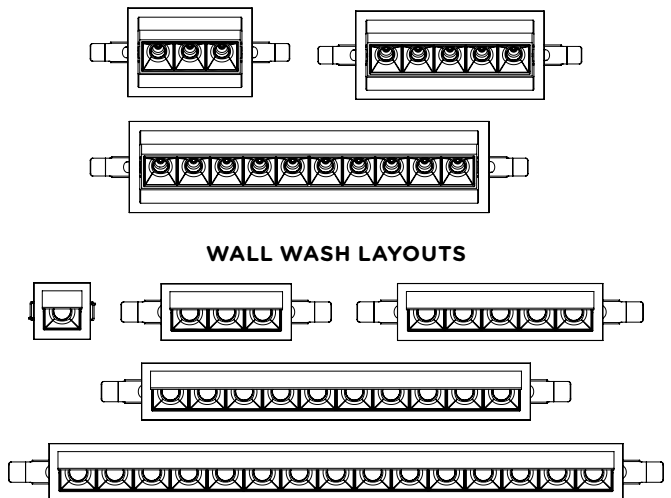
WALL WASH



FIXED LAYOUTS

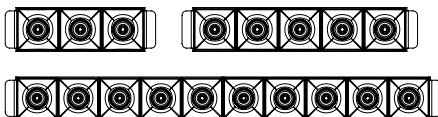


ADJUSTABLE LAYOUTS



WALL WASH LAYOUTS

TRIMLESS FIXED LAYOUTS



MINIMALIST™

1" | Recessed | Standard LED

RATINGS



Damp
Location



Wet
Location



California
Title 24 JA8

CERTIFICATIONS



Intertek

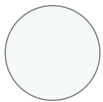


5yr. Warranty

FEATURES

- 1.09" [28mm] Aperture
- Damp location listed, wet location optional
- 25° Tilt with (adjustable trim types)
- Ideal spacing 18" end to end and 18" away from the wall (Wall Wash trims)
- Designed for 0.5"-1.25" ceiling thickness
- Anodized black extruded aluminum heat sink
- Powder coated trim finishes
- Rated for insulated ceilings to a maximum ambient temperature of 40°C (104°F)
- Rated for non-insulated ceilings to a maximum ambient temperature of 45°C (113°F)
- Housings / baseplate with Bi-directional mounting bars (sold separately)
- Powered by a remodel or remote drivers (sold separately)

FLANGE FINISHES



White



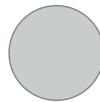
Black



Bronze



Matte
Nickel



Matte
Silver

REFLECTOR FINISHES



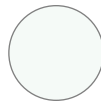
Black
Specular



Silver
Satin



Gold
Satin



White
Satin

BEAM SPREADS (LXX)



12°



34°

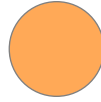


48°

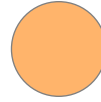


Wall Wash

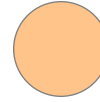
COLOR TEMPERATURES



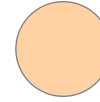
2700K



3000K



3500K



4000K

PERFORMANCE SUMMARY

Color Accuracy (SDCM)		<3	
L70 Estimate (h)		50,000	
Color Rendering (CRI)		90	
Layout	Source Lumens	Delivered Lumens	LED Wattage
1x1	220	170	2
1x3	660	560	6
1x5	1100	930	10
1x10	2200	1790	20
1x15	3300	2680	30
2x2	880	720	8
3x3	1980	1580	18

- Delivered are lumens based on 3000K color temp. 48° beam angle.
- Lumen values do not apply to wall wash trim.
- Refer to IES files for individual product information

MINIMALIST™

1" | Recessed | Standard LED | Remodel Driver | Order Form

Order Code Example: MMD-5-T-01-GS-CL-L12-27-9002-RM-DRM-M5-P1-120-MMd-T-5-FP

PRODUCT NOTES:

1. MMA adjustable is available in 5 & 10 layouts.
 2. MMD fixed is available in 5, 10, 15 & 9S layouts.
 3. MMD wall wash is available in 5, 10 & 15 layouts.
 4. CC custom color requires factory consultation.
 5. CL glass option is mounted to the trim and is wet location listed when selected. Only available in MMD fixed trims.
 6. LWW wall wash is only available in trimmed 1x5 & 1x10 & 1x15 layouts.
 7. S dimming is only available in 120 voltage.
 8. P1 and D dimming are not available with M15 Series layout.
 9. 347 volt is only available in P dimming
 10. Housing / baseplate is available and can be shipped prior to luminaire.
 11. Housing layout must match trim layout.
 12. ICP Insulated Airtight and CPP Chicago plenum is not available 1x15 layout.
- Wet Location.
● Title 24 JA8 qualified, consult factory for complete listing.

SELECT A TRIM

[1] MINIMALIST

- MMA** Adjustable ●¹
- MMD** Fixed ●²
- MMD** Wall Wash ●³

[2] LAYOUT

- 5** 1x5 ●
- 10** 1x10 ●
- 15** 1x15
- 9S** 3x3 ●

[3] FLANGE TYPE

- T** Trimmed

[4] FLANGE FINISH

- 01** White
- 04** Black
- 05** Matte Silver
- 06** Bronze
- 11** Matte Nickel
- CC** Custom Color⁴

[5] REFLECTOR FINISH

- BA** Black Specular
- GS** Gold Satin
- SS** Silver Satin
- WS** White Satin

[6] GLASS

- [Blank]** No Lens
- CL** Clear⁵ ●

[7] MODULE & BEAM SPREAD

- L12** 12° Beam
- L34** 34° Beam
- L48** 48° Beam

[↕] WALL WASH TRIMS

- LWW** Wall Wash⁶

[8] COLOR TEMPERATURE

- 27** 2700K
- 30** 3000K
- 35** 3500K
- 40** 4000K

[9] LUMEN SERIES

- 9002** 90 CRI, 220lm

[10] DRIVER

- RM** Remodel Driver

SELECT A DRIVER

[11] DRIVER

- DRM** Remodel

[12] LUMEN SERIES

- M5** 1x5 Layout
- M10** 1x10 Layout
- M15** 1x15 Layout
- M9S** 3x3 Layout

[13] DIMMING

- D** Dali-2 Dimming (1%)⁸
 - LH** Lutron Hi-lume EcoSystem
- Soft-on Fade-to-Black (1%)
- P** 0-10V Dimming (1%)
 - P1** 0-10V eldoLED Dimming (1%)⁸
 - S** Phase Dimming (1%)

[14] VOLTAGE

- 120** 120V
- 277** 277V
- 347** 347V⁹

SELECT A BASEPLATE/HOUSING

[15] HOUSING¹⁰

- MMA** Adjustable ●
- MMD** Fixed ●
- MMD** Wall Wash ●

[16] LAYOUT¹¹

- 5** 1x5 ●
- 10** 1x10 ●
- 15** 1x15
- 9S** 3x3 ●

[17] FLANGE TYPE

- T** Trimmed

[18] CEILING

- FP** Non-Insulated
- ICP** Insulated Airtight ●¹²
- CPP** Chicago Plenum¹²

MINIMALIST™

1" | Recessed | Standard LED | Remote Driver | Order Form

Order Code Example: MMD-3-T-01-GS-CL-L12-27-9002-RT-DTM-700-1-A-P1-120-MMD-3-T-FP

PRODUCT NOTES:

1. MMA adjustable is available in trimmed with 1x3, 1x5 & 1x10 layouts.
 2. MMD fixed is only available in trimmed with all layouts & trimless with 1x3, 1x5 & 1x10 layouts.
 3. MMD wall wash is only available in trimmed 1x1, 1x3, 1x5 & 1x10 layouts.
 4. CC custom color requires factory consultation.
 5. CL glass is available with fixed layouts. Glass is mounted to the trim and is wet location listed when selected.
 6. LWW wall wash is only available in trimmed 1x1, 1x3, 1x5, 1x10 & 1x15 layouts.
 7. Refer to remote driver compatibility chart for available configurations and dimming combinations. Wiring between fixture and driver by others.
 8. S dimming is only available in 120 voltage.
 9. 347 volt is only available in P dimming
 10. Housing / baseplate is available and can be shipped prior to luminaire.
 11. Housing layout must match trim layout.
 12. TL trimless is available in 3, 5 & 10 layouts.
 13. ICP Insulated Airtight and CPP Chicago plenum is not available 1x15 layout.
- Wet Location.
● Title 24 JA8 qualified, consult factory for complete listing.

SELECT A TRIM

[1] MINIMALIST

- MMA** Adjustable ●¹
- MMD** Fixed ●²
- MMD** Wall Wash ●³

[2] LAYOUT

- 1** 1x1
- 3** 1x3
- 5** 1x5
- 10** 1x10
- 15** 1x15
- 4S** 2x2
- 9S** 3x3

[3] FLANGE TYPE

- T** Trimmed

[4] 1X3, 1X5, 1X10 FIXED LAYOUTS

- TL** Trimless

[4] FLANGE FINISH

- 01** White
- 04** Black
- 05** Matte Silver
- 06** Bronze
- 11** Matte Nickel
- CC** Custom Color⁴

[4] 1X3, 1X5, 1X10 FIXED LAYOUTS

- [Blank]** Trimless

[5] REFLECTOR FINISH

- BA** Black Specular
- GS** Gold Satin
- SS** Silver Satin
- WS** White Satin

[6] GLASS

- [Blank]** No Lens
- CL** Clear⁵ ●

[7] MODULE & BEAM SPREAD

- L12** 12° Beam
- L34** 34° Beam
- L48** 48° Beam

[4] 1X1, 1X3 WALL WASH LAYOUTS

- LWW** Wall Wash⁶

[8] COLOR TEMPERATURE

- 27** 2700K
- 30** 3000K
- 35** 3500K
- 40** 4000K

[9] LUMEN SERIES

- 9002** 90 CRI, 220lm

[10] DRIVER

- RT** Remote Driver

SELECT A DRIVER

[11] DRIVER

- DTM** Remote⁷

[12] LUMEN SERIES

- 700** 700mA Constant Current

[13] CHANNEL

- 1** 1 Channel

[14] CONFIGURATION

- A** Configuration A
- B** Configuration B

[15] DIMMING

- D** Dali-2 Dimming (1%)
- LH** Lutron Hi-lume EcoSystem
- Soft-on Fade-to-Black (1%)
- P** 0-10V Dimming (1%)
- P1** 0-10V eldoLED Dimming (1%)
- S** Phase Dimming (1%)⁸

[16] VOLTAGE

- 120** 120V
- 277** 277V
- 347** 347V⁹

SELECT A BASEPLATE/HOUSING

[17] HOUSING¹⁰

- MMA** Adjustable ●¹
- MMD** Fixed ●²
- MMD** Wall Wash ●³

[18] LAYOUT¹¹

- 1** 1x1
- 3** 1x3
- 5** 1x5
- 10** 1x10
- 15** 1x15
- 4S** 2x2
- 9S** 3x3

[19] FLANGE TYPE

- T** Trimmed

[4] 1X3, 1X5, 1X10 FIXED LAYOUTS

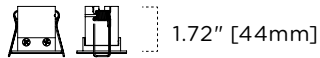
- TL** Trimless¹²

[20] CEILING

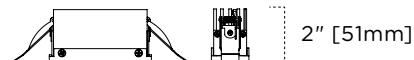
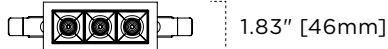
- FP** Non-Insulated
- ICP** Insulated Airtight ●¹³
- CPP** Chicago Plenum¹³

FIXED DIMENSIONS

1X1 LAYOUT

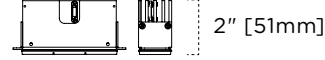
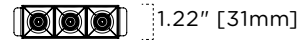


1X3 LAYOUT



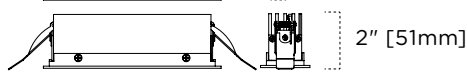
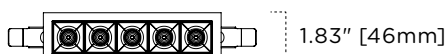
4.125" [107mm]

TRIMLESS 1X3 LAYOUT



4.18" [106mm]

1X5 LAYOUT



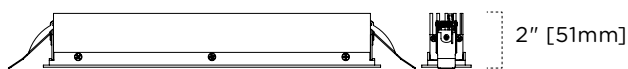
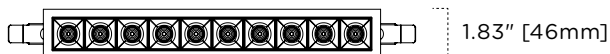
6.52" [167mm]

TRIMLESS 1X5 LAYOUT



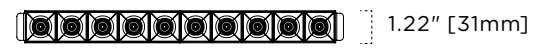
6.54" [166mm]

1X10 LAYOUT



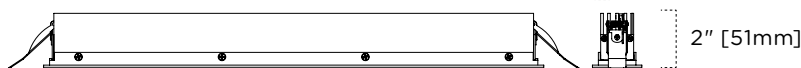
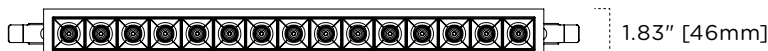
12.5" [317mm]

TRIMLESS 1X10 LAYOUT



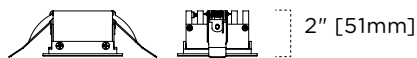
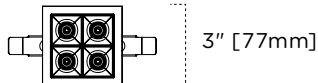
11.80" [300mm]

1X15 LAYOUT



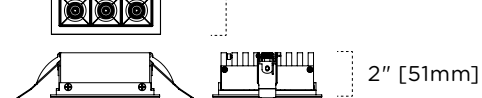
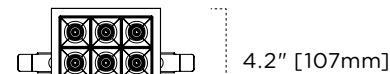
18.38" [467mm]

2X2 LAYOUT



3" [77mm]

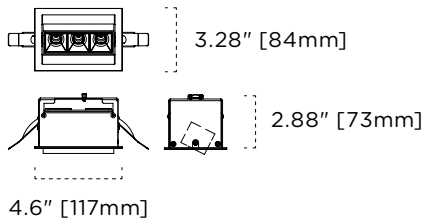
3X3 LAYOUT



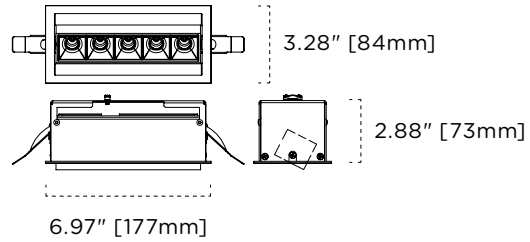
4.2" [107mm]

ADJUSTABLE TRIM DIMENSIONS

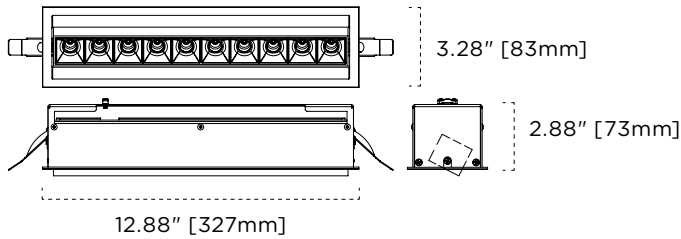
1X3 LAYOUT



1X5 LAYOUT

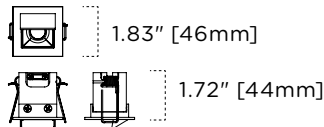


1X10 LAYOUT

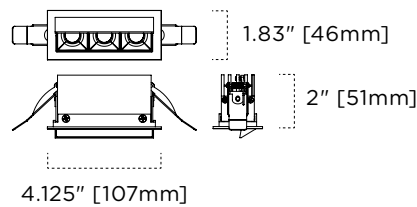


WALL WASH TRIM DIMENSIONS

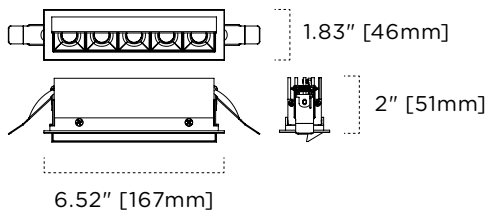
1X1 LAYOUT



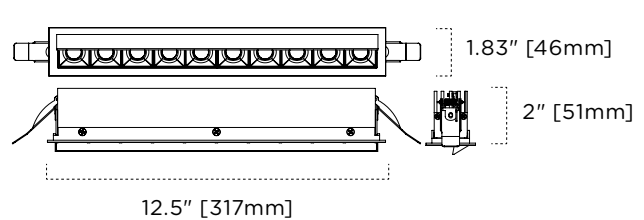
1X3 LAYOUT



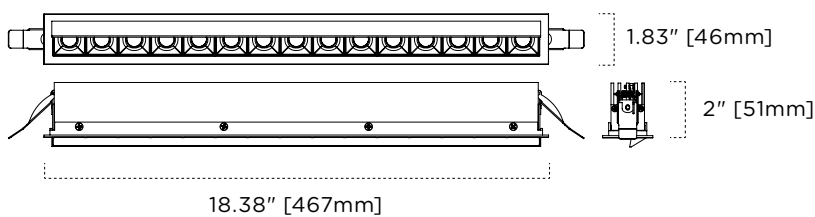
1X5 LAYOUT



1X10 LAYOUT



1X15 LAYOUT



CEILING CUTOUTS

FIXED & WALL WASH TRIM

Layout	Width	Length	Minimum Plenum Height (Remodel)	Minimum Plenum Height (Remote Driver)
1x1	1.56" [40mm]	1.56" [39mm]	3.75" [96mm]	2.5" [64mm]
1x3		3.94" [100mm]		
1x5		6.31" [160mm]		
1x10		12.25" [311mm]		
1x15		18.13" [460mm]		
2X2	2.75" [70mm]	2.75" [70mm]		
3X3	3.88" [99mm]	3.88" [99mm]		

Note: 2X2 and 3X3 are only available with fixed trim layout.

TRIMLESS FIXED

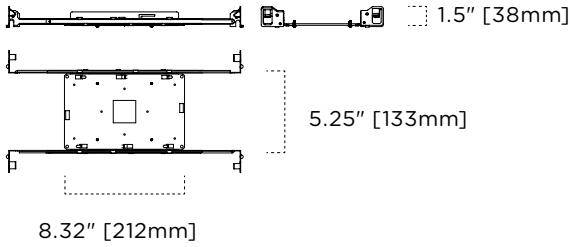
Layout	Width	Length	Minimum Plenum Height (Remote Driver)
1x3	1.625" [41mm]	4.63" [118mm]	3.13" [80mm]
1x5		7" [178mm]	
1x10		12.906" [328mm]	

ADJUSTABLE TRIM

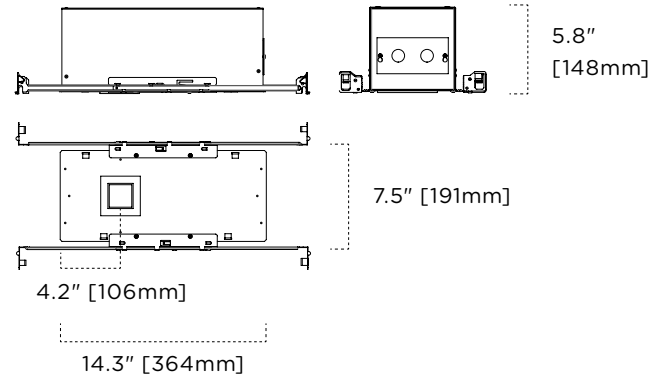
Layout	Width	Length	Minimum Plenum Height (Remodel Driver)	Minimum Plenum Height (Remote Driver)
1x3	3" [76mm]	4.313" [110mm]	3.75" [96mm]	2.5" [64mm]
1x5		6.688" [170mm]		
1x10		12.625" [321mm]		

FIXED & WALL WASH HOUSING DIMENSIONS

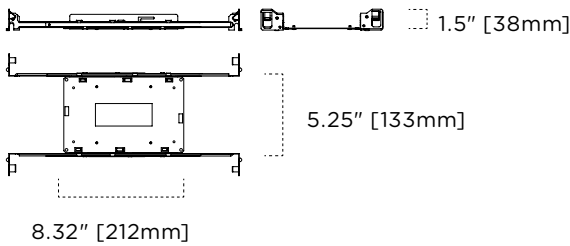
1X1 LAYOUT NON-INSULATED (FP) HOUSING



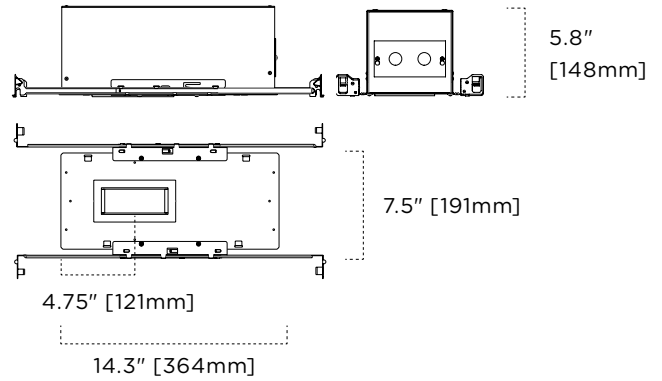
1X1 LAYOUT INSULATED AIRTIGHT (ICP) & CHICAGO PLENUM (CPP) HOUSING



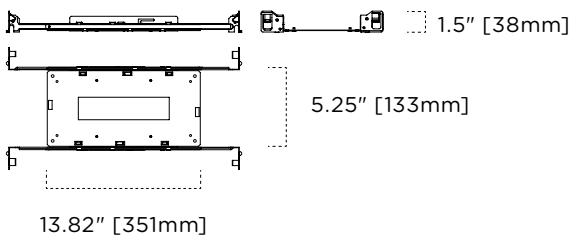
1X3 LAYOUT NON-INSULATED (FP) HOUSING



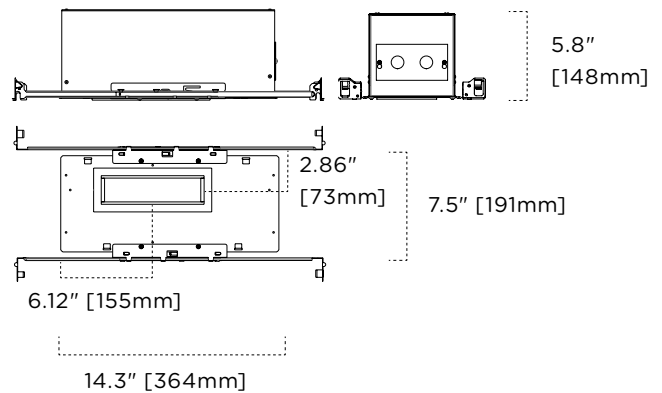
1X3 LAYOUT INSULATED AIRTIGHT (ICP) & CHICAGO PLENUM (CPP) HOUSING



1X5 LAYOUT NON-INSULATED (FP) HOUSING

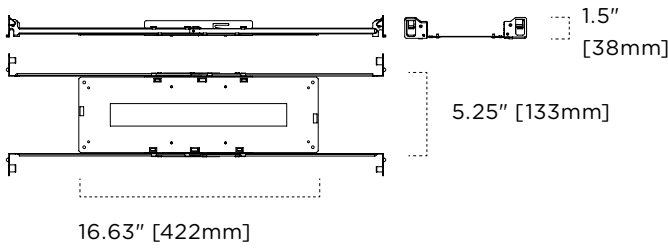


1X5 LAYOUT INSULATED AIRTIGHT (ICP) & CHICAGO PLENUM (CPP) HOUSING

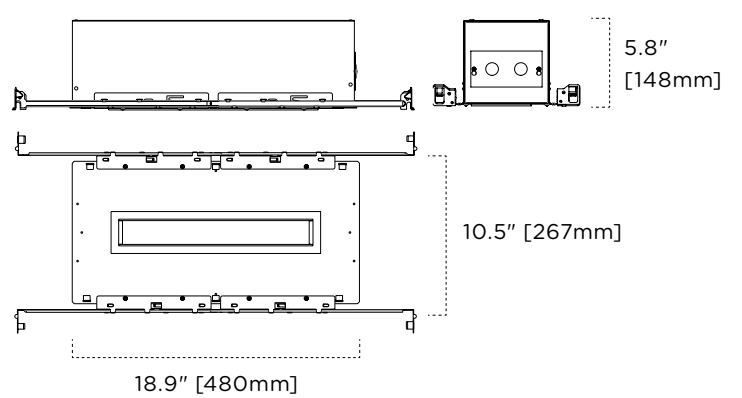


FIXED & WALL WASH HOUSING DIMENSIONS (CONTINUED)

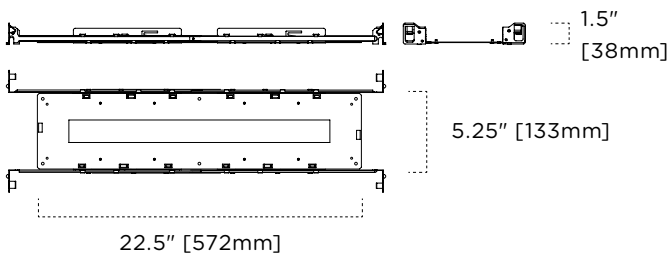
1X10 LAYOUT NON-INSULATED (FP) HOUSING



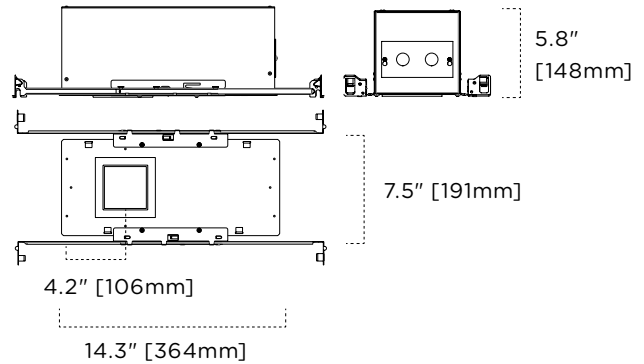
1X10 LAYOUT INSULATED AIRTIGHT (ICP) & CHICAGO PLENUM (CPP) HOUSING



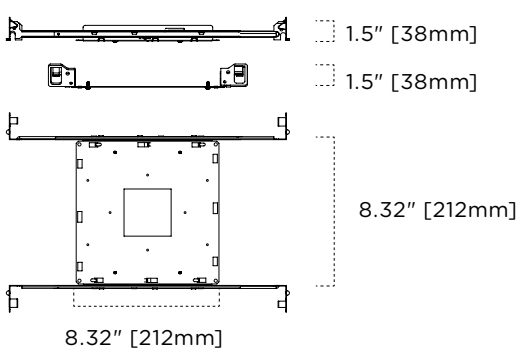
1X15 LAYOUT NON-INSULATED (FP) HOUSING



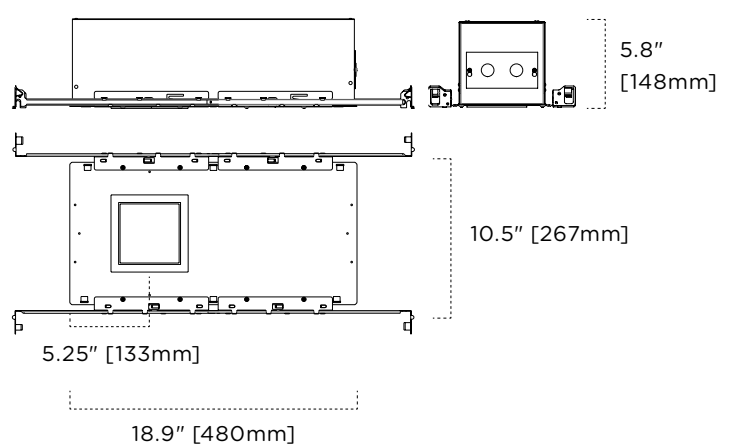
2X2 LAYOUT INSULATED AIRTIGHT (ICP) & CHICAGO PLENUM (CPP) HOUSING



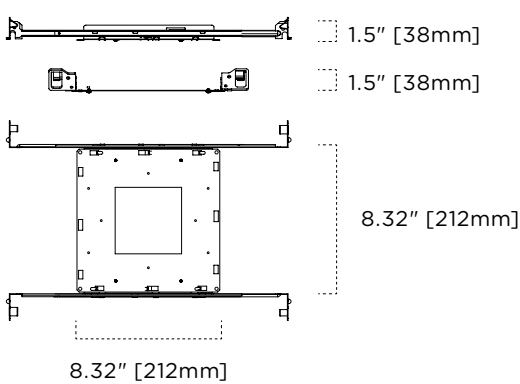
2X2 LAYOUT NON-INSULATED (FP) HOUSING



3X3 LAYOUT INSULATED AIRTIGHT (ICP) & CHICAGO PLENUM (CPP) HOUSING

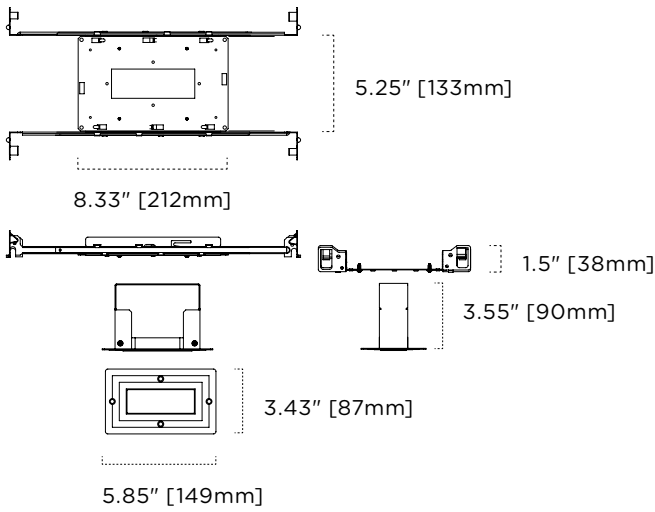


3X3 LAYOUT NON-INSULATED (FP) HOUSING

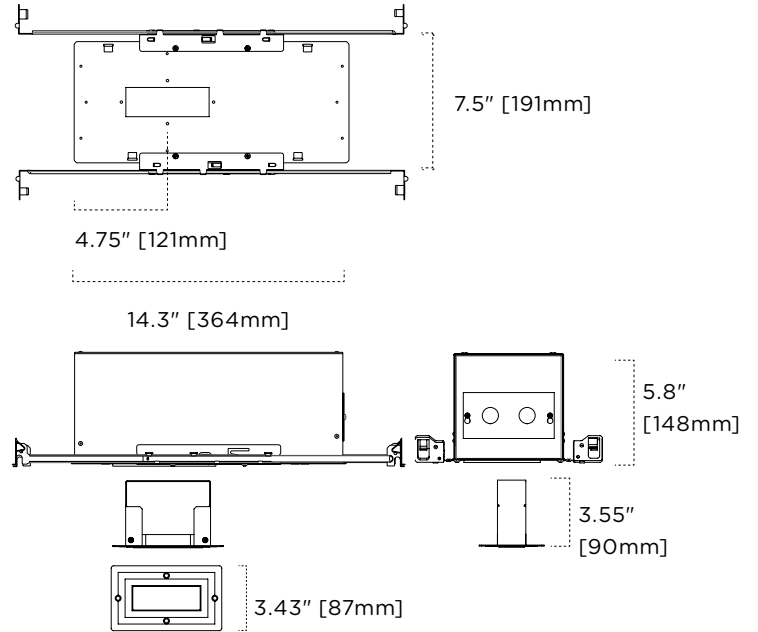


TRIMLESS FIXED BASEPLATE & MUD RING DIMENSIONS

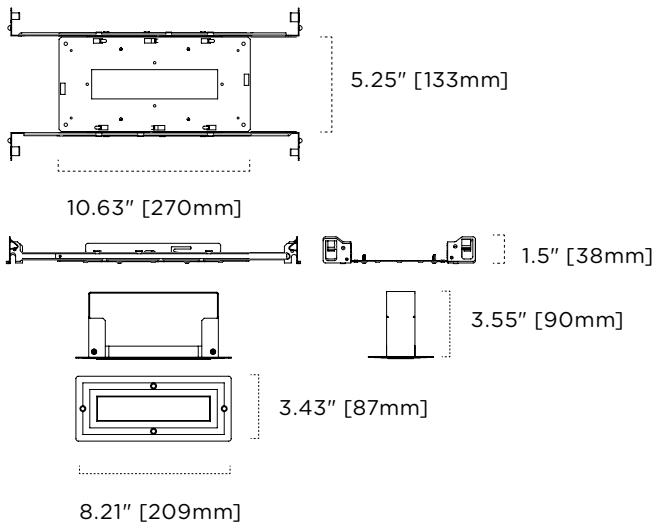
1X3 LAYOUT NON-INSULATED (FP) HOUSING & MUD RING



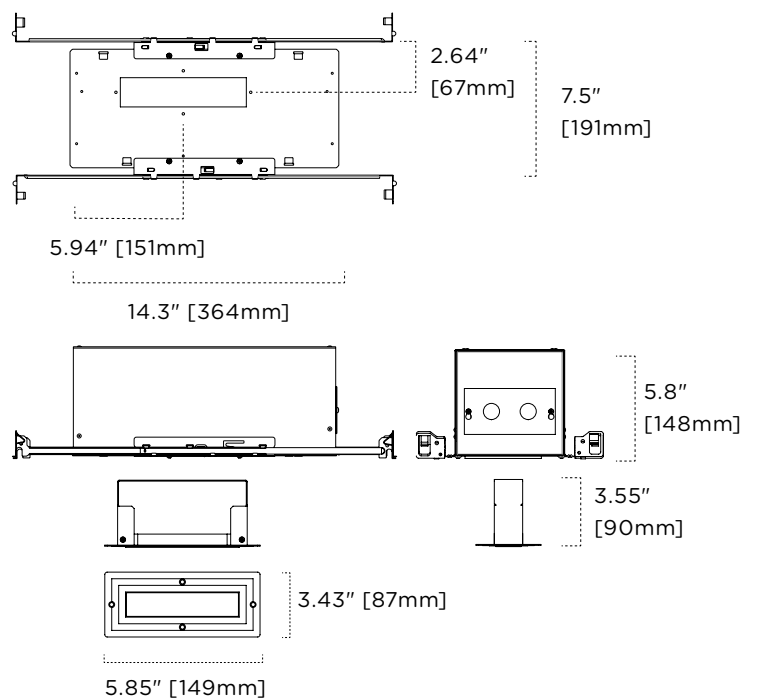
1X3 LAYOUT INSULATED AIRTIGHT (ICP) & CHICAGO PLENUM (CPP) HOUSING & MUD RING



1X5 LAYOUT NON-INSULATED (FP) HOUSING & MUD RING

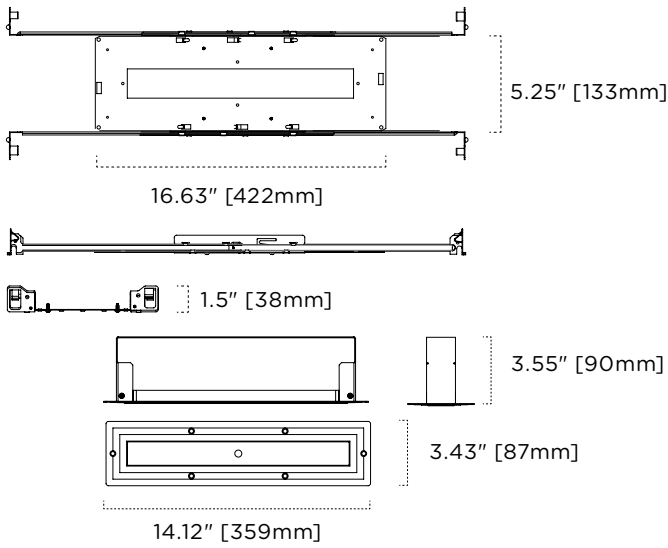


1X5 LAYOUT INSULATED AIRTIGHT (ICP) & CHICAGO PLENUM (CPP) HOUSING & MUD RING

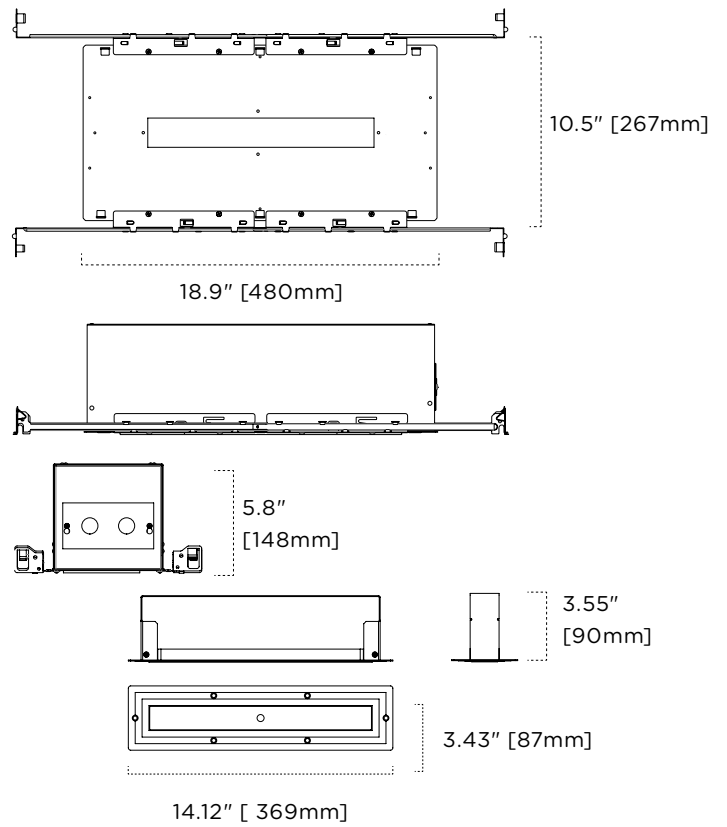


TRIMLESS FIXED BASEPLATE & MUD RING DIMENSIONS (CONTINUED)

1X10 LAYOUT NON-INSULATED (FP) HOUSING & MUD RING

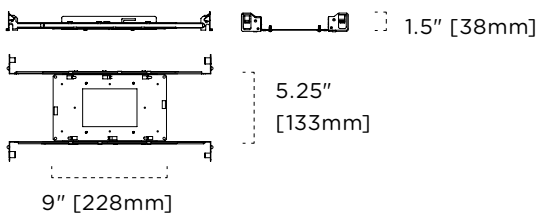


1X10 LAYOUT INSULATED AIRTIGHT (ICP) & CHICAGO PLENUM (CPP) HOUSING & MUD RING

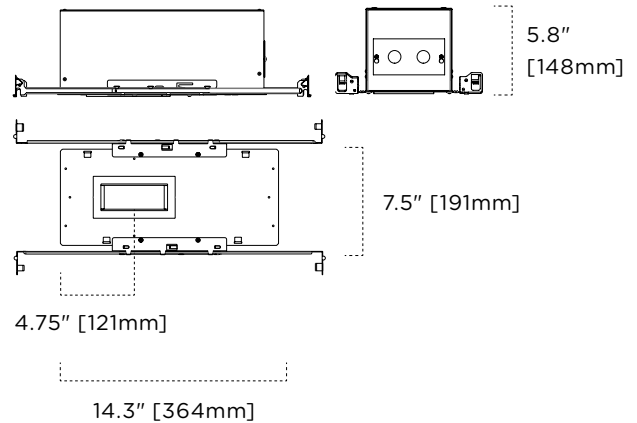


ADJUSTABLE BASEPLATE DIMENSIONS

1X3 LAYOUT NON-INSULATED (FP) HOUSING

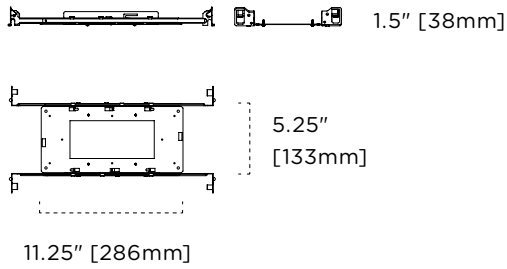


1X3 LAYOUT INSULATED AIRTIGHT (ICP) & CHICAGO PLENUM (CPP) HOUSING

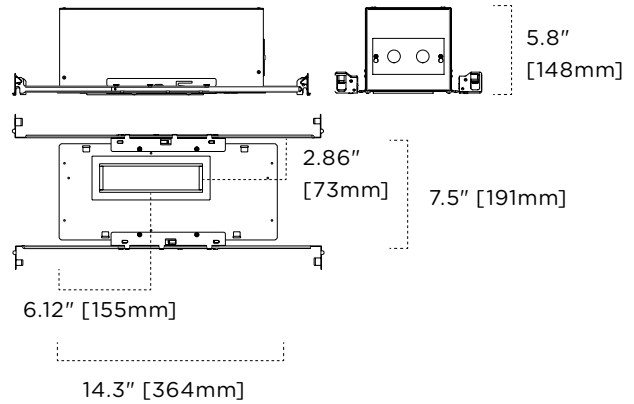


ADJUSTABLE BASEPLATE DIMENSIONS (CONTINUED)

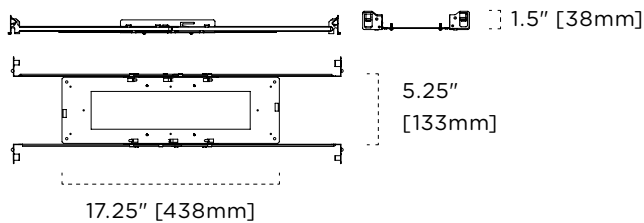
1X5 LAYOUT NON-INSULATED (FP) HOUSING



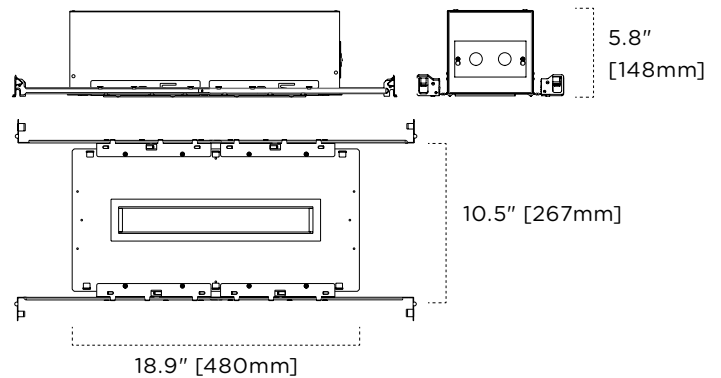
1X5 LAYOUT INSULATED AIRTIGHT (ICP) & CHICAGO PLENUM (CPP) HOUSING



1X10 LAYOUT NON-INSULATED (FP) HOUSING

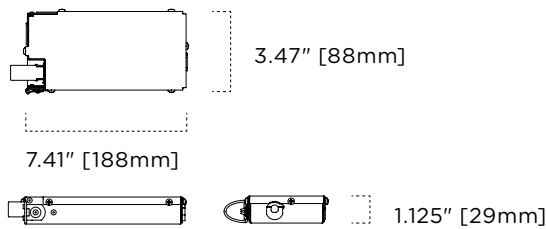


1X10 LAYOUT INSULATED AIRTIGHT (ICP) & CHICAGO PLENUM (CPP) HOUSING

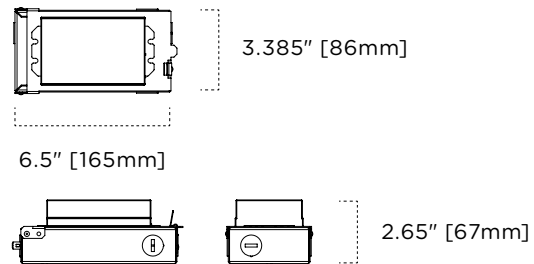


DRIVER DIMENSIONS

REMODEL DRIVER



REMOTE DRIVER



Note: Trimless layouts are only available with Remote driver.

DRIVER SPECIFICATIONS

REMODEL DRIVER COMPATIBILITY

Trim	Driver Type	Series	Load Unit Notes
MMD-5-T (1x5) MMA-5-T (1x5)	DRM	M5	1 remodel driver per trim
MMD-10-T (1x10) MMA-10-T (1x10)		M10	
MMD-15-T (1x15)		M15	
MMD-9S-T (3x3)		M9S	

Note: MMD-9S-T (3x3) is only available with fixed trim layout.

REMOTE DRIVER COMPATIBILITY

Trim	Driver Type	Series	CH.	Config.	*Dimming Type ^{1,2}	Min Load Units	Max Load Units
MMD-1 (1x1)	DTM	700	1	A	D	1	12
					LH	4	8
					P	3	16
					P1	1	12
					S	4	12
				B	LH	8	12
MMA-3 MMD-3 (1x3)	DTM	700	1	A	D	1	4
					LH	2	3
					P	1	5
					P1	1	4
					S	2	5
				B	LH	3	4
MMD-4S (2x2)	DTM	700	1	A	D	1	3
					LH	1	2
					P	1	4
					P1	1	3
					S	1	3
				B	LH	2	3

*Maximum remote mounting distance (Wire length).

1. LH : 100' USING 12 AWG, 50' USING 14 AWG.

2. P, P1, D, S : 100' USING 14 AWG, 50' USING 16 AWG.

DRIVER SPECIFICATIONS (CONTINUED)

REMOTE DRIVER COMPATIBILITY

Trim	Driver Type	Series	CH.	Config.	*Dimming Type ^{1,2}	Min Load Units	Max Load Units
MMA-5 MMD-5 (1x5)	DTM	700	1	A	D	1	2
					LH	1	1
					P	1	3
					P1	1	2
					S	1	3
				B	LH	2	2
MMD-9S (3x3)	DTM	700	1	A	D	1	1
					P1	1	1
					P	1	1
					S	1	1
				B	LH	1	1
MMA-10 MMD-10 (1x10)	DTM	700	1	A	D	1	1
					P1	1	1
					P	1	1
					S	1	1
				B	LH	1	1
MMD-15 (1x15)	DTM	700	1	A	P	1	1
					S	1	1

*Maximum remote mounting distance (Wire length).

1. LH : 100' using 12 AWG, 50' using 14 AWG.

2. P, P1, D, S : 100' using 14 AWG, 50' using 16 AWG.

Step Light 2122

4"x 3" (landscape orientation)
Recessed step or pathway light

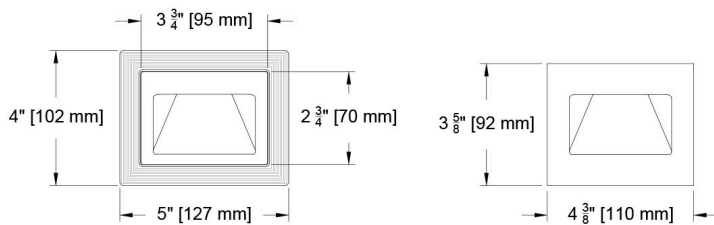
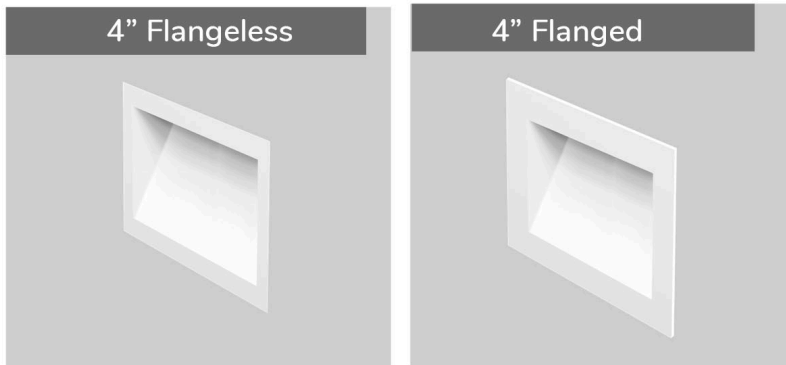
Your path forward is important and Specialty is here to help guide your steps. Our fully dimmable solid state pathway or step light is intended for low level illumination in residential, institutional, commercial or theater applications. The 2122 light is wet location rated for recessed applications in cement, stone or drywall. You have found the datasheet and hope you enjoy the details.

PROJECT:

TYPE:

SPECIFIER:

DATE:



Key Points (2122)

Trim/Housing

- Flanged and flangeless installation
- 26 Anodize colors, 14 paint colors + Custom Color, RAL or wood available
- Milled aluminum trim
- IP54 Wet Location
- Handy Box housing supplied by others

Source/Optics

- Ambient Dim range 3000k to 1900k through dimming cycle
- Amber (1600k) available in 2 light outputs
- 2700k and 3000k (static white)
- 4 watt LED array in static white and Ambient Dim. 2 and 4 watt available in Amber.
- Up to 109 Delivered lumens
- <2 MacAdam Steps (<2SDCM) for static white.
- 90 + CRI (static white), 95 CRI (Ambient Dim)
- Integral, flat, veiling acrylic lens

Driver

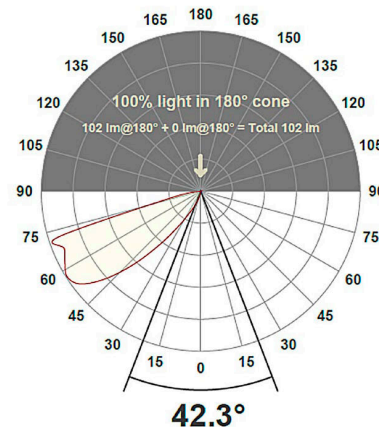
- Universal 120-277v unless otherwise noted
- Flicker free to IEEE 1789-2015 available with EldoLED selection
- Remote driver mounting required

Labels

- US, US tested to UL standards 1598, Wet location

Steplight 2122					
Source	CCT	System watts (W)	Delivered Lumens (Lm)	Lumens/Watt	10% Field
Specialty SG4	2700	4	102	26	120
Specialty SG4	3000	4	107	27	n/a
Specialty B4 (Amber)	1600	4	71	18	n/a
Specialty B2 (Amber)	1600	2	46	23	n/a

Measurements based on 2700K CCT




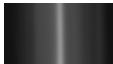






Step Light 2122

4"x 3" (landscape orientation)
Recessed step or pathway light

Ordering Codes

PROJECT: _____ SPECIFIER: _____
DATE: _____ TYPE: _____ QUANTITY: _____

Ordering Code Example: 2122-F-SG4-27-C1-P14

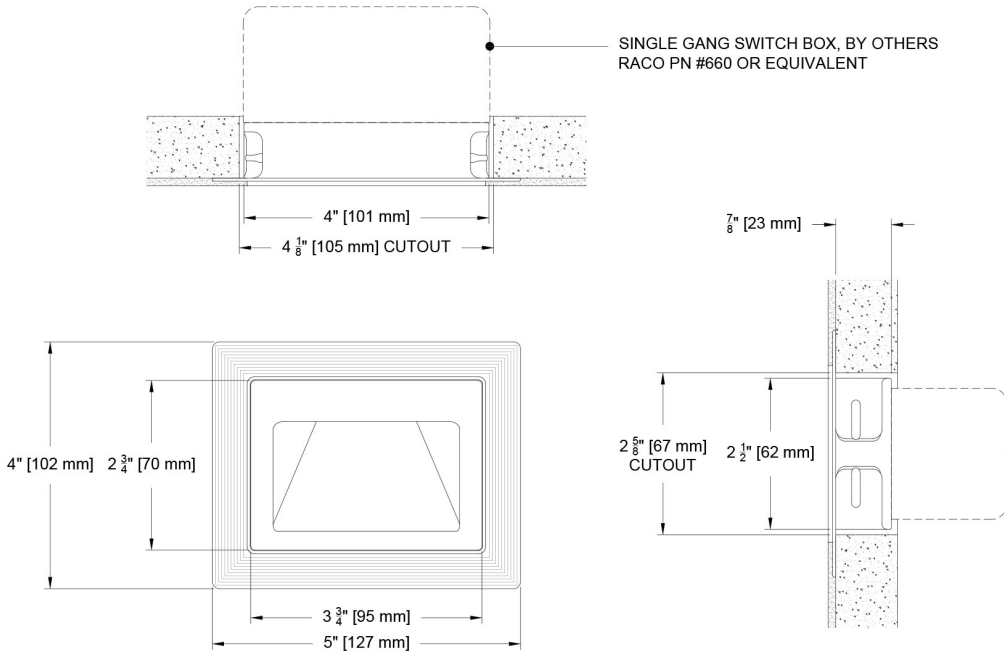
2122	TRIM	SOURCE / WATTS	CCT	DRIVER / CONTROL	TRIM FINISH
<p>Step Light 2122</p>	<p>F Flanged Trim</p> <p>Z Flangeless Trim</p>	<p>SG4 4W 102Lm 90+CRI, 60+R9</p> <p>Amber</p> <hr/> <p>B2 2W 46Lm 86+CRI, 32+R9</p> <p>B4 4W 71Lm 85+CRI, 38+R9</p> <p>Ambient Dim™</p> <hr/> <p>A4 5W 109Lm 95+CRI, 90+R9 3000k to 1900k</p>	<p>30 3000K</p> <p>27 2700K</p> <p>Amber 1600K*</p> <p>Ambient Dim™</p> <hr/> <p>AD 3000-1900K^</p> <p>* Use with Amber (B2, B4) source selection</p> <p>^ Use with Ambient Dim (A3) source selection</p>	<p>C1 0-10 1.0%, UNV (120V) linear</p> <p>C24 UNV (120-277V) C24/C1 *24V Constant Voltage</p> <p>C2 ELV/Triac 1.0%, (120-277V) linear</p> <p>EldoLED</p> <hr/> <p>E1 0-10 0.1%, UNV (120-277V) log</p> <p>E2 DALI-2 0.1%, UNV (120-277V) log</p> <p>E3 0-10 0.1%, UNV (120-277V) linear</p> <p>Note: Remote mounting required for all drivers</p> <p>Some Lutron Drivers available at 4 watts. Consult factory.</p>	<p>W White Paint</p>  <p>A01 Black Anodize</p>  <p>D Wood**</p>  <p>C Custom/RAL Color*</p>  <p>AXX Specialty anodize color*</p>  <p>PXX Specialty Paint Color*</p>  <p>* Refer to Specialty Finish Guide ** Refer to Specialty Wood Trim Guide</p> <p>FINISH GUIDE LINK</p>  <p>WOOD TRIM GUIDE</p> 

Wall Cutouts & Dimensions

Steplight (Handy Box)

Flangeless Trim (Z)

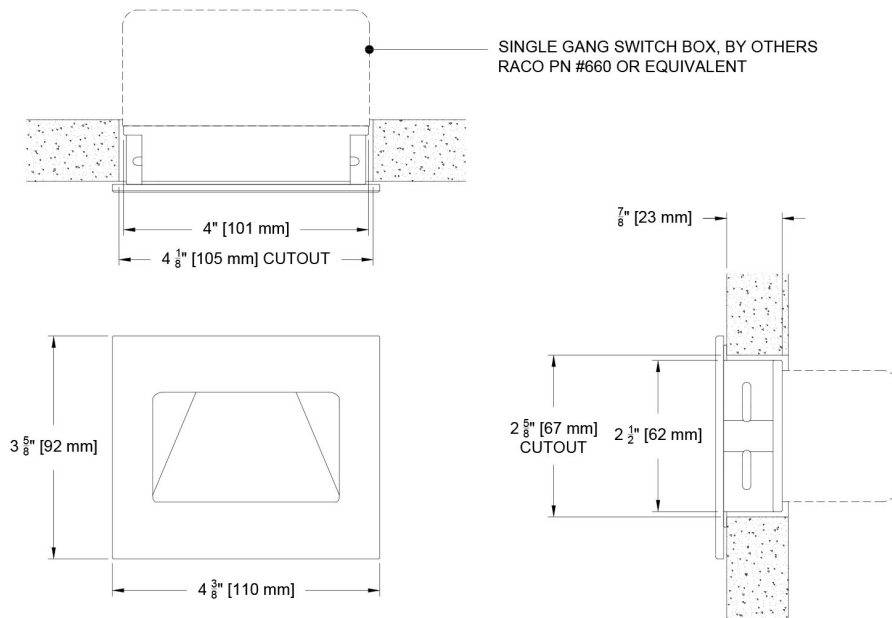
(2122-Z-SG4-)



Steplight (Handy Box)

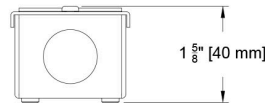
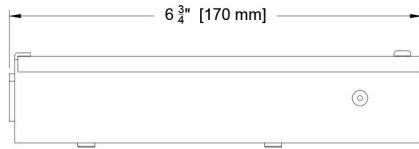
Flanged Trim (F)

(2122-F-B2-)

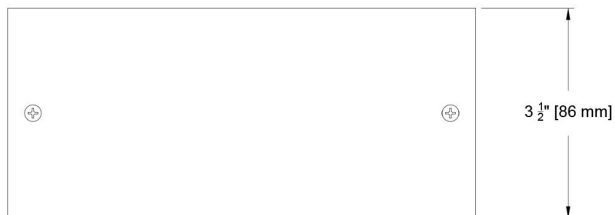
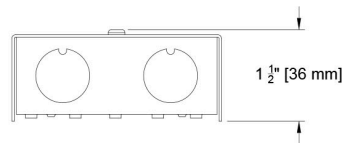
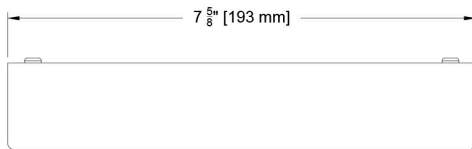


Wall Cutouts & Dimensions

Driver Enclosure for C1, C2



Driver Enclosure for E1, E2, E3



Date: _____

Type: _____

Fixture: _____

Project: _____

Approved: _____

FCCSQ400 Up/Down or Up, Standard Drivers without Battery Backup

4" Square wall mount up/down or up only cylinder outdoor



Made in USA with domestic & globally sourced components



FEATURES

- Up to 3000 lm, Up to 100 LPW
- Operating Environment -22°F to 122°F (-30°C to 50°C)
- Clear anti-glare tempered glass lens (IK09)
- Multiple color finishes
- 0-10V 1% Dimming (Standard)
- 1.5G Vibration Tested
- 93 CRI with 2 SDCM

PERFORMANCE

Beam Spread: 15° | 25° | 50° | 72° | 90°
CCT Options: 2700K | 3000K | 3500K | 4000K
CRI: 93 CRI
Consistency: 2 SDCM (Fixture to Fixture)
Lumens: 500-3000 lm
Lifetime: > 70,000 hours / L70 or better

PHYSICAL

Mounting: Mounts directly to standard recessed junction box with wall mount or twist-lock canopy. Additional holes allow unit to be attached directly to mounting surface.

Ingress Protection: Continuous silicone gasket to seal out contaminants, IP65 rated for dry, damp or wet locations.

Finish: Six stage chemical iron phosphate conversion pre-treatment. Polyester powder coat finish, 18 µm Min., 5000hr salt spray test (ASTM B117) compliant with Florida / AAMA 2604 specification.

Warranty: 5-Year limited warranty (refer to website for details)

Housing: Heavy-walled, extruded aluminum housing with high pressure die-cast lens ring and cap with stainless steel hardware.

Lens: IK09 impact compliant, clear anti-glare tempered glass

Vibration Resistance: Compliant with 1.5G ANSI C136.31, Seismic rated AC-156

Weight: 8-12 lbs (Depending on Length)

Operating Temperature: -22°F to 122°F (-30°C to 50°C)

ELECTRICAL

Voltage: Universal 120–277V AC standard, 347V optional

Power Supply: Integral Class II, electronic high-power factor >.90, THD < 20%, FCC Title 47 Part 15 Class A.

Power Consumption: Up to 3000 lm @ 35W

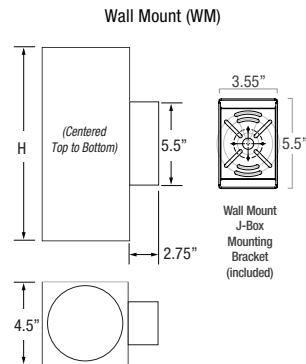
Dimming: Standard: 0-10V, 1% Dimming, Optional: ELV, TRIAC, dim to off, DMX, DALI

Certification: CEC Title 24 - JA8 Compliant (93 CRI Only)

Standards: cETLus Listed, CE, NOM, and RoHS Compliant. Wet location listed for wall or ceiling mount IP65 Ingress protection. 1.5G (ANSI C136.31) Vibration resistance rated. IK09 (IEC6226) Impact resistance rated. IESNA LM79 Photometric testing by NVLAP accredited test lab. IESNA LM80 LED testing by NVLAP accredited test lab. IESNA TM21 Luminaire lumen depreciation projection to >70,000hrs.

PHYSICAL DIMENSIONS

Fixture	Height (H)
FCCSQ410W	10.95" Height (1 Integral Driver Only)
FCCSQ412W	12.95" Height (1 Integral Driver Only)
FCCSQ414W	14.95" Height
FCCSQ416W	16.95" Height
FCCSQ418W	18.95" Height
FCCSQ420W	20.95" Height
	(All above are Wall Mount Standard)



Date: _____
 Type: _____
 Fixture: _____
 Project: _____

Approved: _____

FCCSQ400 Up/Down or Up, Standard Drivers without Battery Backup

PRODUCT CODE

EXAMPLE: FCCSQ410W-UNV-927-505L-BKE-D15U15-ET

MODEL	LENGTH	MOUNTING	VOLTAGE	COLOR	LUMENS	FINISH	DOWNLIGHT OPTICS	UPLIGHT OPTICS	DIMMING	OPTIONS	BATTERY																																																			
<div style="display: flex; justify-content: space-between;"> <div style="width: 20%;"> <p>MODEL</p> <p>FCCSQ410W 10.95" Height (1 Integral Driver Only)</p> <p>FCCSQ412W 12.95" Height (1 Integral Driver Only)</p> <p>FCCSQ414W 14.95" Height</p> <p>FCCSQ416W 16.95" Height</p> <p>FCCSQ418W 18.95" Height</p> <p>FCCSQ420W 20.95" Height (All above are Wall Mount Standard)</p> </div> <div style="width: 30%;"> <p>DOWN LUMENS (nominal) UP LUMENS</p> <table border="1"> <tr><td>NO</td><td>No Light Option</td><td></td></tr> <tr><td>5</td><td>500 lm</td><td>05L</td></tr> <tr><td>10</td><td>1000 lm</td><td>10L</td></tr> <tr><td>15</td><td>1500 lm</td><td>15L</td></tr> <tr><td>20</td><td>2000 lm</td><td>20L</td></tr> <tr><td>25</td><td>2500 lm</td><td>25L</td></tr> <tr><td>30</td><td>3000 lm</td><td>30L</td></tr> </table> <p>(30L Max Total output) (Standard Lumen Output Split 50% Up / 50% Down) (Additional driver needed for unequal output selections)</p> </div> <div style="width: 30%;"> <p>DOWN LIGHT OPTICS (nominal) UPLIGHT OPTICS</p> <table border="1"> <tr><td>D15</td><td>Spot (15°) (20L Max)</td><td>U15</td></tr> <tr><td>D25</td><td>Narrow Flood (25°)</td><td>U25</td></tr> <tr><td>D50</td><td>Flood (50°)</td><td>U50</td></tr> <tr><td>D72</td><td>Wide Flood (72°)</td><td>U72</td></tr> <tr><td>D90</td><td>Flat (90°)</td><td>U90</td></tr> </table> <p>WITH SOFT FIELD LENS (Below)</p> <table border="1"> <tr><td>D15S</td><td>Spot (15°) (20L Max)</td><td>U15S</td></tr> <tr><td>D25S</td><td>Narrow Flood (25°)</td><td>U25S</td></tr> <tr><td>D50S</td><td>Flood (50°)</td><td>U50S</td></tr> <tr><td>D72S</td><td>Wide Flood (72°)</td><td>U72S</td></tr> <tr><td>D90S</td><td>Flat (90°)</td><td>U90S</td></tr> </table> </div> </div>												NO	No Light Option		5	500 lm	05L	10	1000 lm	10L	15	1500 lm	15L	20	2000 lm	20L	25	2500 lm	25L	30	3000 lm	30L	D15	Spot (15°) (20L Max)	U15	D25	Narrow Flood (25°)	U25	D50	Flood (50°)	U50	D72	Wide Flood (72°)	U72	D90	Flat (90°)	U90	D15S	Spot (15°) (20L Max)	U15S	D25S	Narrow Flood (25°)	U25S	D50S	Flood (50°)	U50S	D72S	Wide Flood (72°)	U72S	D90S	Flat (90°)	U90S
NO	No Light Option																																																													
5	500 lm	05L																																																												
10	1000 lm	10L																																																												
15	1500 lm	15L																																																												
20	2000 lm	20L																																																												
25	2500 lm	25L																																																												
30	3000 lm	30L																																																												
D15	Spot (15°) (20L Max)	U15																																																												
D25	Narrow Flood (25°)	U25																																																												
D50	Flood (50°)	U50																																																												
D72	Wide Flood (72°)	U72																																																												
D90	Flat (90°)	U90																																																												
D15S	Spot (15°) (20L Max)	U15S																																																												
D25S	Narrow Flood (25°)	U25S																																																												
D50S	Flood (50°)	U50S																																																												
D72S	Wide Flood (72°)	U72S																																																												
D90S	Flat (90°)	U90S																																																												
<p>VOLTAGE</p> <p>UNV Universal 120-277 Volt AC</p> <p>347 347 Volt AC</p>																																																														
<p>COLOR</p> <p>927 (93CRI) 2700K</p> <p>930 (93CRI) 3000K</p> <p>935 (93CRI) 3500K</p> <p>940 (93CRI) 4000K</p>																																																														
<p>FINISH</p> <p>BKE Black (AAMA 2604)</p> <p>BRE Bronze (AAMA 2604)</p> <p>GRE Graphite Grey (AAMA 2604)</p> <p>SLE Silver (AAMA 2604)</p> <p>WHE White (AAMA 2604)</p> <p>CCE Custom Color (AAMA 2604)</p>																																																														
<p>DIMMING</p> <p>ET ELV or TRIAC Driver (120V Phase Dimming w/ UNV Driver) (20L-30L Only)</p> <p>LD 0-10V Dimming, 1% (Standard)</p> <p>ET2 ELV or TRIAC Drivers (Qty. 2) (120V Phase Dimming w/ UNV Drivers) (Each Driver: 20L-30L Only) (2 Separate Circuits: Individual Control of Power and Dimming for Up/Down Lighting)</p> <p>LD2 0-10V Dimming, 1% (Qty. 2) (2 Separate Circuits: Individual Control of Power and Dimming for Up/Down Lighting)</p>																																																														
<p>OPTIONS</p> <p>CV Cut-Off Visor (Down Only)</p>																																																														
<p>BATTERY</p> <p>N/A (Leave Blank)</p>																																																														

Due to continuous development and improvements, specifications are subject to change without notice. FC Lighting, Inc. reserves the right to change lab test details or specifications without notice. Product use certifies agreement to FC Lighting, Inc. terms and conditions. All stated specifications have a tolerance of +/- 7%.



FCCSQ400 Up/Down or Up, Standard Drivers without Battery Backup

LUMENS nominal

Model	Watts	940
FCCSQ4	5 W (Min)	500 lm (Min)
	35 W (Max)	3000 lm (Max)

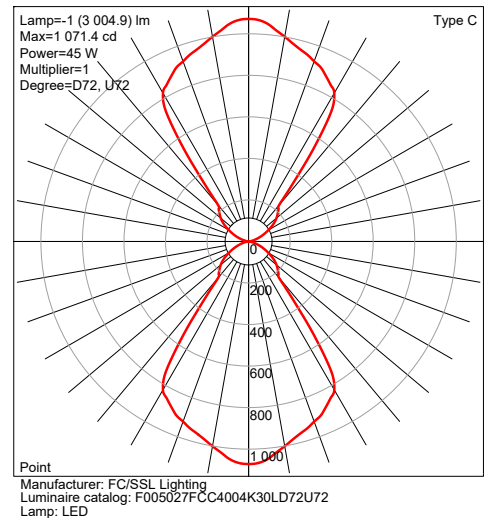
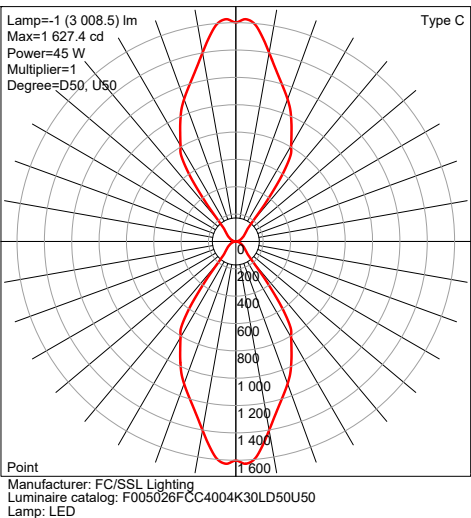
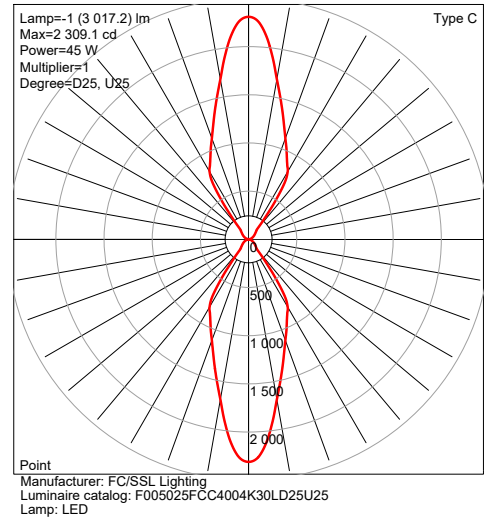
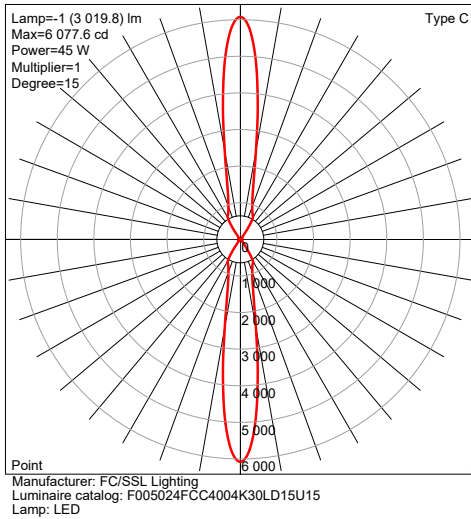
IES Multiplier	
Color	Multiplier
927	0.93
930	0.97
935	0.99
940	1.00

*83CRI≤1.15 Consult factory.

TRIAC & ELV Approved Dimmer List	
Manufacturer	Manufacturer Part Number
Lutron	Glyder GLV-600
	Diva DVLV-600P
	Diva DV-600P
	Diva DVELV-600P(303)
	Maestro MALV-600
	Nova T NT-1000
	Nova T NTELV-600
Leviton	Skylark SLV-600P
	RadioRA2-10ND
	SureSlide 6633
	Illumatech IPE04

0-10V Approved Dimmer List	
Manufacturer	Manufacturer Part Number
Lutron	Diva DVSTV-XX
	Diva DVSTV-453PH-WH1
Leviton	Illumatech 010-IP710-DLZ

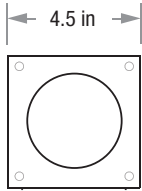
PHOTOMETRICS



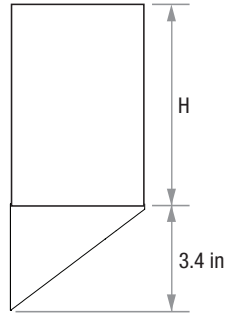
FCCSQ400 Up/Down or Up, Standard Drivers without Battery Backup

MORE DIMENSIONS

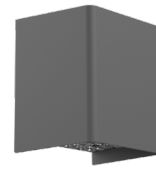
Cutt-Off Visor (CV) *(Down Only)*



Bottom View



Side View



Gardco GeoForm block small LED wall sconce features a compact geometric design that will complement a range of architectural styles. GeoForm is available with two light engines: precision plus optics which feature type 2, 3, and 4 distributions, as well as light effects optics which offer wall wash, spot, and pencil beam distributions. GeoForm with light effects may be inverted for a wet location upright option. A diffuse lens is also available for over doorway applications. Emergency battery backup option provides path-of-egress illumination and multiple control options further enhance energy savings.

Project: _____
 Location: _____
 Cat.No: _____
 Type: _____
 Lamps: _____ Qty: _____
 Notes: _____

Ordering guide

example: GBS-A03-840-T3M-UNV-MG

Luminaire	Configuration (nom. lumens)	Color Temperature	Distribution	Voltage	Dimming Controls ²	Electrical	Options	Finish	
GBS									
GBS GeoForm Block Small	Precision Plus optics			120 120V	none Leave blank (0-10V dimming driver standard) DLEA² Dimming Leads Externally Accessible (controls by others) FAWS² Field Adjustable Wattage Selector	none Leave blank (10kV kA surge protection standard) SP2 Surge Protector 20kV/10kA (option) FS1 Single Fuse (120, 277, or 347VAC) FS2 Double Fuse (208V, 240V, or 480V) PCB⁴ Photocontrol Button (120-277V)	none Leave blank EM^{1,6} Emergency Battery Pack (0-40°C) BAC⁵ Meets the requirements of the Buy American Act of 1933 (BAA)	Textured BK Black WH White BZ Bronze DG Dark Gray MG Medium Gray Customer specified OC Specify optional color or RAL, contact factory SC Special Color (must supply color chip, requires factory quote)	
	A01¹	1,500 lumens	830 80CRI 3000K	T2M Type 2					208 208V
	A02¹	2,500 lumens	840 80CRI 4000K	T3M Type 3					240 240V
	A03	4,000 lumens	740 70CRI 4000K	T4M Type 4					277 277V
	A04	5,000 lumens	750 70CRI 5000K	DFL Diffusing lens					UNV 120-277V
	A05	6,000 lumens							347 347V
									480 480V
									HVU 347-480V
	Light Effects optics								
	B01³	700 lumens	830 80CRI 3000K	WAW Wall Wash					
	B02³	1,100 lumens	840 80CRI 4000K	SPT Spot					
	B03³	2,200 lumens		PEN Pencil Beam					

1. Only available from 120-277V, or in UNV.
2. Only one option can be selected from Dimming Controls column.
3. Not available with Emergency battery pack.
4. Only available from 120-277V, must specify voltage.

5. Failure to properly select the "BAC" suffix could result in you receiving product that is not BAA compliant product with no recourse for an RMA or refund. This BAC designation hereunder does not address (i) the applicability of, or availability of a waiver under, the Trade Agreements Act, or (ii) the "Buy America" domestic content requirements imposed on states, localities, and other non-federal entities as a condition of receiving funds administered by the Department of Transportation or other federal agencies.
6. Consult Signify to confirm whether specific accessories are BAA-compliant.

Luminaire Accessories (order separately)⁶

- GF-WS-BK** Wall Mounted Box for surface conduit, painted black
- GF-INV** Inversion Mounting kit (required with inverted mounting)



GBS GeoForm block small

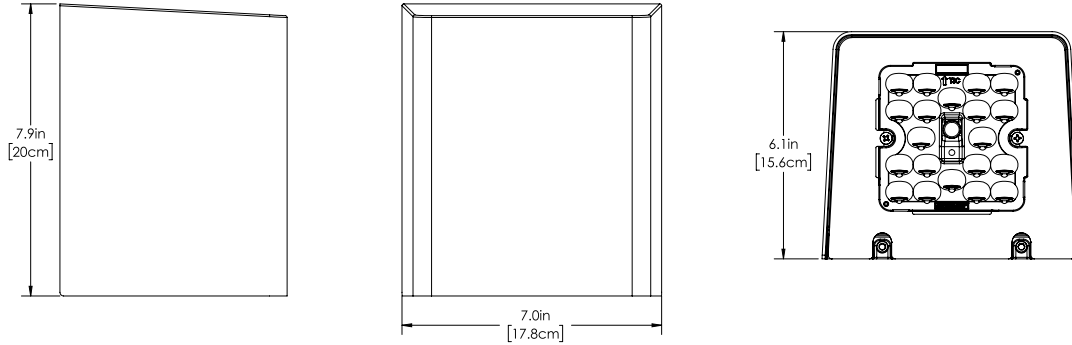
Wall sconce

Dimensions

GBS Small Block

Standard

Weight: 6.3 Lbs (2.8kg)

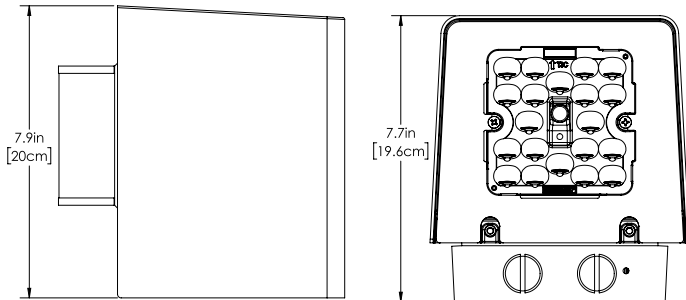


Accessory details

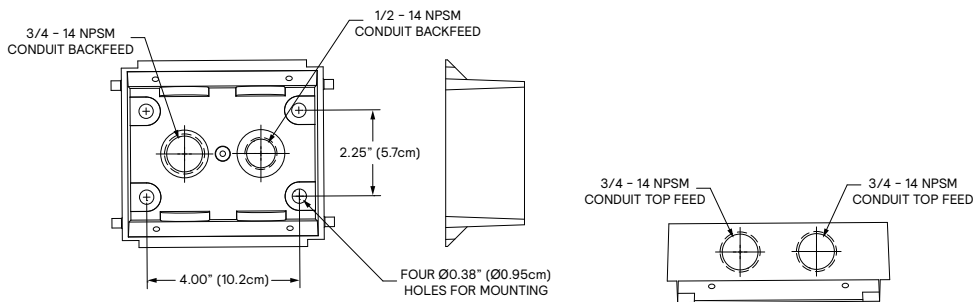
Surface mount conduit box (GF-WS-BK)

GBS Block with surface conduit wall mount box

Weight: 6.9 Lbs (3.1kg)



GF-WS-BK Details



GBS GeoForm block small

Wall sconce

GBS Lumen values

3000K, 80CRI

Ordering Code	CCT	CRI	Average System Wattage	Type 2M			Type 3M			Type 4M		
				Lumen Output	BUG Rating	Efficacy (LPW)	Lumen Output	BUG Rating	Efficacy (LPW)	Lumen Output	BUG Rating	Efficacy (LPW)
GBS-A01-830	3000	80	10	1483	B1-U0-G1	145	1503	B1-U0-G1	147	1467	B0-U0-G1	144
GBS-A02-830	3000	80	17	2478	B1-U0-G1	147	2511	B1-U0-G1	149	2452	B1-U0-G1	145
GBS-A03-830	3000	80	25	3522	B1-U0-G1	143	3570	B1-U0-G1	145	3485	B1-U0-G1	142
GBS-A04-830	3000	80	34	4601	B1-U0-G1	137	4664	B1-U0-G1	139	4553	B1-U0-G1	136
GBS-A05-830	3000	80	41	5501	B2-U0-G2	134	5575	B2-U0-G2	136	5443	B1-U0-G1	132

4000K, 80CRI

Ordering Code	CCT	CRI	Average System Wattage	Type 2M			Type 3M			Type 4M		
				Lumen Output	BUG Rating	Efficacy (LPW)	Lumen Output	BUG Rating	Efficacy (LPW)	Lumen Output	BUG Rating	Efficacy (LPW)
GBS-A01-840	4000	80	10	1537	B1-U0-G1	151	1558	B1-U0-G1	153	1521	B0-U0-G1	149
GBS-A02-840	4000	80	17	2569	B1-U0-G1	152	2604	B1-U0-G1	154	2542	B1-U0-G1	151
GBS-A03-840	4000	80	25	3652	B1-U0-G1	148	3701	B1-U0-G1	150	3613	B1-U0-G1	147
GBS-A04-840	4000	80	34	4771	B1-U0-G1	142	4835	B2-U0-G2	144	4721	B1-U0-G1	141
GBS-A05-840	4000	80	41	5703	B2-U0-G2	139	5780	B2-U0-G2	141	5643	B1-U0-G2	137

4000K, 70CRI

Ordering Code	CCT	CRI	Average System Wattage	Type 2M			Type 3M			Type 4M		
				Lumen Output	BUG Rating	Efficacy (LPW)	Lumen Output	BUG Rating	Efficacy (LPW)	Lumen Output	BUG Rating	Efficacy (LPW)
GBS-A01-740	4000	70	10	1732	B1-U0-G1	170	1756	B1-U0-G1	172	1714	B1-U0-G1	168
GBS-A02-740	4000	70	17	2895	B1-U0-G1	171	2934	B1-U0-G1	174	2865	B1-U0-G1	170
GBS-A03-740	4000	70	25	4115	B1-U0-G1	167	4171	B1-U0-G1	170	4072	B1-U0-G1	166
GBS-A04-740	4000	70	34	5376	B2-U0-G2	160	5449	B2-U0-G2	163	5320	B1-U0-G1	159
GBS-A05-740	4000	70	41	6427	B2-U0-G2	156	6514	B2-U0-G2	158	6359	B1-U0-G2	155

5000K, 70CRI

Ordering Code	CCT	CRI	Average System Wattage	Type 2M			Type 3M			Type 4M		
				Lumen Output	BUG Rating	Efficacy (LPW)	Lumen Output	BUG Rating	Efficacy (LPW)	Lumen Output	BUG Rating	Efficacy (LPW)
GBS-A01-750	5000	70	10	1663	B1-U0-G1	163	1686	B1-U0-G1	165	1646	B1-U0-G1	161
GBS-A02-750	5000	70	17	2780	B1-U0-G1	165	2818	B1-U0-G1	167	2751	B1-U0-G1	163
GBS-A03-750	5000	70	25	3952	B1-U0-G1	161	4005	B1-U0-G1	163	3910	B1-U0-G1	159
GBS-A04-750	5000	70	34	5163	B2-U0-G2	154	5233	B2-U0-G2	156	5109	B1-U0-G1	153
GBS-A05-750	5000	70	41	6172	B2-U0-G2	150	6255	B2-U0-G2	152	6107	B1-U0-G2	149

Light Effects Optics 3000K, 80 CRI

Ordering Code	CCT	CRI	Average System Wattage	Wall Wash (WAW)		Spot (SPT)		Pencil Beam (PEN)	
				Lumen Output	Efficacy (LPW)	Lumen Output	Efficacy (LPW)	Lumen Output	Efficacy (LPW)
GBS-B01-830	3000	80	8	699	88	767	97	66	8
GBS-B02-830	3000	80	18	1397	78	1534	86	133	7
GBS-B03-830	3000	80	30	2446	82	2685	90	232	8

Light Effects Optics 4000K, 80 CRI

Ordering Code	CCT	CRI	Average System Wattage	Wall Wash (WAW)		Spot (SPT)		Pencil Beam (PEN)	
				Lumen Output	Efficacy (LPW)	Lumen Output	Efficacy (LPW)	Lumen Output	Efficacy (LPW)
GBS-B01-840	4000	80	8	734	92	805	101	70	9
GBS-B02-840	4000	80	18	1467	82	1611	90	139	8
GBS-B03-840	4000	80	30	2568	86	2819	94	244	8

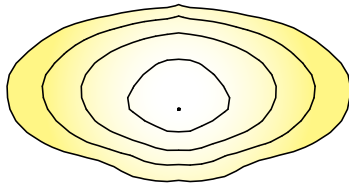
GBS GeoForm block small

Wall sconce

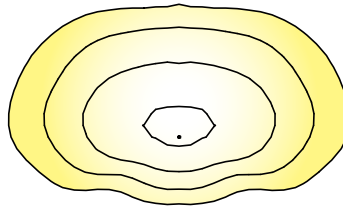
LED Wattage and Lumen Values (Emergency Mode)

Ordering Code	CCT	CRI	Avg. System Wattage (W)	Type 2		Type 3		Type 4		DFL	
				Lumen Output	BUG Rating	Lumen Output	BUG Rating	Lumen Output	BUG Rating	Lumen Output	BUG Rating
GBS-A01/2/3/4/5-830-x-EM	3000	80	6	856	B0-U0-G0	868	B0-U0-G0	847	B0-U0-G1	717	B1-U0-G0
GBS-A01/2/3/4/5-840-x-EM	4000	80	6	887	B0-U0-G0	899	B0-U0-G0	878	B0-U0-G1	743	B1-U0-G0
GBS-A01/2/3/4/5-740-x-EM	4000	70	6	1000	B0-U0-G0	1014	B0-U0-G0	990	B0-U0-G1	838	B1-U0-G0
GBS-A01/2/3/4/5-750-x-EM	5000	70	6	960	B0-U0-G0	973	B0-U0-G0	950	B0-U0-G1	804	B1-U0-G0

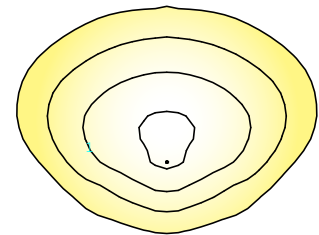
Optical Distributions



Type 2



Type 3



Type 4

Specifications

Construction

Main body housing and door frame made of low copper die cast aluminum alloy for a high resistance to corrosion. Removable die cast backplate to allow access to driver or other electronic components for servicing. The housing acts as the main heat sinking component, optimized for maximum thermal dissipation. Giving the freedom to have a clean minimalist aesthetic design while allowing it to house emergency battery backup equipment and various other options. Luminaire housing rated to IP65, tested in accordance to Section 9 of IEC 60598-1.

IK Rating IK08 high impact resistance rating for both the housing and optics

IP Rating IP65 rated luminaire with IP66 rated light engine

Light engine

Electrical components are RoHS compliant, IP66 sealed light engine equipped LEDs tested by ISO 17025-2005 accredited lab in accordance with IESNA LM-80 guidelines in compliance with EPA ENERGY STAR, extrapolations in accordance with IESNA TM-21. Metal core board ensures greater heat transfer and longer lifespan.

LED Module

Precision Plus LED printed circuit board assembly made of 20 LEDs populated on aluminum metal clad board for optimal thermal dissipation ensuring long LED life. Light Effects feature single COB LED array.

Optical System

Precision Plus optics composed of high performance UV stabilized optical grade polymer refractor lenses to achieve desired distribution for optimized spacing, target lumens and a superior lighting uniformity. Performance tested per LM-63, LM-79 and TM-15 (IESNA) certifying its photometric performance. 0% uplight and U0 per IESNA TM-15.

Light effects optics composed of low iron tempered clear glass with molded gasket attached to lens without tools or RTV. Lenses provide narrow spot, pencil beam, and wall wash optical distributions.

Mounting

Mounting is achieved through integral back plate that features a hook and lock quick mount plate that secures with two set screws from bottom of luminaire. Mounting plate is located in the center of the luminaire body. Luminaire ships fully assembled, ready to install. GeoForm requires a mounting kit accessory for use of inverted luminaires. Mounting kit includes Safety Cable and hardware. GeoForm with Precision Plus optics are suitable for damp locations only when inverted. GeoForm with Light Effects optics are suitable for wet location when inverted.

Installation

GeoForm features an integral hook on its mounting plate which allows a single installer to perform wiring without assistance. See installation instructions for complete details.

Control options

0-10V dimming (DLEA): Access to 0-10V dimming leads supplied through back of luminaire (for secondary dimming controls by others). Cannot be used with other control options.

Field Adjustable Wattage Selector (FAWS): Luminaire equipped with the ability to manually adjust the wattage in the field to reduce total luminaire lumen output and light levels. Comes pre-set to the highest position lumen output selected. Use chart below to estimate reduction in lumen output desired. Cannot be used with other control options or motion response.

FAWS Position	Percent of Typical Lumen Output
1	25%
2	50%
3	55%
4	65%
5	75%
6	80%
7	85%
8	90%
9	95%
10	100%

Note: Typical value accuracy +/- 5%

GBS GeoForm block small

Wall sconce

Specifications (cont'd)

Emergency Battery Backup (EM): Emergency battery packs included integral to the luminaire, allowing for a consistent look between emergency and non-emergency luminaires. Emergency is suitable for use in ambient temperature conditions from 0°C (32°F) to 40°C (104°F) designed to have a secondary driver with relay to immediately detect AC power loss to power luminaire for a minimum of 90 minutes from the time power is lost. Available with 120-277V, or 'UNV' only.

Electrical

Driver: Driver efficiency (>90% standard). 120-480V available (restrictions apply). Open/short circuit protection. 0-10V dimming driver down to 10% standard. RoHS compliant.

Button Photocontrol (PCB): Button style design for internal luminaires mounting applications. The photocontrol is constructed of a high impact UV stabilized polycarbonate housing. Rated voltage of 120V or 208-277V with a load rating of 1000 VA. The photocell will turn on with 1-4Fc of ambient light.

Surge protection (SP2): Each luminaire is provided as standard with surge protector tested in accordance with ANSI/IEEE C62.45 per ANSI/ IEEE C62.41.2 Scenario I Category C High Exposure 10kV/5kA waveforms for Line Ground, Line Neutral and Neutral Ground, and in accordance with U.S. DOE (Department of Energy) MSSLC (Municipal Solid-State Street Lighting Consortium) Model Specification for LED Roadway Luminaires Appendix D Electrical Immunity High Test Level 10kV / 5kA. Optional 20kV is available for additional protection.

Listings

UL/cUL listed to the UL 1598 standard, suitable for wet locations when mounted downward facing. GeoForm with Precision Plus optics listed for damp locations when inverted. GeoForm with light effects optics listed for wet location in up or down orientation. Suitable for use in ambient temperatures from -40° to 40°C (-40° to 104°F). GeoForm configurations with Precision Plus optics are qualified under Design Lights Consortium® Premium category. Consult DLC Qualified Products List on Specific Classifications and for more details. CCTs 3000K and warmer are IDA Dark Sky Approved. FCC Compliant.

Predicted Lumen Depreciation Data

Predicted performance derived from LED manufacturer's data and engineering design estimates, based on IESNA LM-80 methodology. Actual experience may vary due to field application conditions. L₇₀ is the predicted time when LED performance depreciates to 70% of initial lumen output. Calculated per IESNA TM21-11. Published L₇₀ hours limited to 6 times actual LED test hours

Ambient Temperature °C	Drive current	L ₇₀ per TM-21	Lumen Maintenance % at 60,000 hrs
25°C	up to 1200 mA	>102,000 hours	>91%

Finish

Each standard color luminaire receives a fade and abrasion resistant, electrostatically applied, thermally cured, triglycidic isocyanurate (TGIC) textured polyester powder coat finish. The surface treatment achieves a minimum of 1000 hours for salt spray resistant finish in accordance with testing performed and per ASTM B117 standard. Standard colors include bronze (BZ), black (BK), white (WH), dark gray (DGY), and medium gray (MGY). Consult factory for specs on optional or custom colors.

Service Tag

Each individual luminaire is uniquely identifiable, thanks to the Service tag application. With a simple scan of a QR code, placed on the inside of the mast door, you gain instant access to the luminaire configuration, making installation and maintenance operations faster and easier, no matter what stage of the luminaire's lifetime. Just download the APP and register your product right away. For more details visit: signify.com

Warranty

GeoForm luminaires feature a 5-year limited warranty. See signify.com/warranties for complete details and exclusions.

FCSL495



Date:	Approved:
Type:	
Fixture:	
Project:	

FCSL495 8 inch round, interior surface mount step light with hood. Corrosion resistant, die-cast aluminum construction. This low profile, ADA compliant fixture provides illumination for damp, damp or wet locations.

SPECIFICATIONS

PHYSICAL

dimensions	Ø 8.375" x 1.375" Deep
weight	2 lbs
housing	Marine grade, corrosion resistant, heavy gauge aluminum faceplate
lens	Clear tempered glass lens
mounting	Surface mounts directly to surface, over standard octagonal or single gang junction box
ingress protection	IP65 Dry, damp or wet locations with extruded silicone gasket to seal out contaminants
faceplate finish	Six stage chemical iron phosphate conversion pre-treatment. Polyester powder coat finish, 18 µm Min., 5000hr salt spray test (ASTM B117) compliant with Florida / AAMA 2604 specification.

PERFORMANCE

color temperature	2700K	3000K	3500K	4000K
lumen output	370 lm			
lifetime	> 70,000 hours / L70 or better			
color consistency	3 SDCM / 85 CRI			
operating temperature	-13°F to 104°F (-25°C to 40°C)			
junction temperature	73°C @ T ^a 25°C			
warranty	5-Year limited warranty (refer to website for details)			

ELECTRICAL

input voltage	Universal 120 - 277 VAC
power supply	Integral Class II, electronic high-power factor > 94% @ 120V
certifications	ETL / cETL Listed, CEC Title 24 JA8 compliant (only 90CRI)
standards	UL1598/CSA C22.2 No. 250.0; UL 8750/CSA C22.2 No. 250.13/IES LM-79/LM-80
power consumption	6W (370 lm)

Due to continuous development and improvements, specifications are subject to change without notice. FC Lighting reserves the right to change lab test details or specifications without notice. Product use certifies agreement to FC Lighting terms and conditions. FCC Series Cylinder Lights are engineered and produced in our Illinois manufacturing facility.



Ordering Information

PART NUMBER							
FCSL495			CRI85	4L			
SERIES	VOLTAGE	CCT	CRI	LUMENS	FINISH	OPTIONS	
FCSL495	120V	120 VAC	27K	2700K	CRI85 85 CRI	4L 370 lm (6W)	BKE Black
	277V	277 VAC	3K	3000K			BRE Bronze
	UNV	120 - 277 VAC	35K	3500K			GRE Graphite Grey
			4K	4000K			SLE Silver
					WHE White		
						CCE Custom Color	

REMOTE DRIVER & BATTERY BACKUP

FCSL495R	UNV		CRI85	4L				
SERIES	VOLTAGE	CCT	CRI	LUMENS	FINISH	OPTIONS		
FCSL495R ¹	UNV	120V- 277 VAC	27K	2700K	CRI85 85 CRI	4L 370 lm (6W)	BKE Black	BBUR ¹ Battery Backup Remote (Indoor)
			3K	3000K			BRE Bronze	BBUX ² Battery Backup Remote (Outdoor)
			35K	3500K			GRE Graphite Grey	N/A Leave Blank for Remote Driver Only (without Battery Backup)
			4K	4000K			SLE Silver	
					WHE White			
					CCE Custom Color			

¹ LED DRIVER REMOTE (INDOOR) IP20, IK08, NEMA 1, -20°C to +50°C, 30' MAX Distance with 12AWG.

*Consult factory for outdoor remote driver only.

¹ Battery Back-up & LED Driver Remote (INDOOR), IP20, IK08, NEMA 1, 0°C to +48°C, 30' MAX Distance with 12AWG (w/UNV Option Only)

² Battery Back-up & LED Driver Remote (OUTDOOR), IP67, IK10, NEMA 4X, -20°C to +55°C, 30' MAX Distance with 12AWG (w/UNV Option Only)

Consult Factory for other options and configurations.

To ensure you receive proper configurations for your lighting specifications, contact us directly about any unique application requirements. This may include but not be limited to lumen output, mounting needs, or electrical requirements.

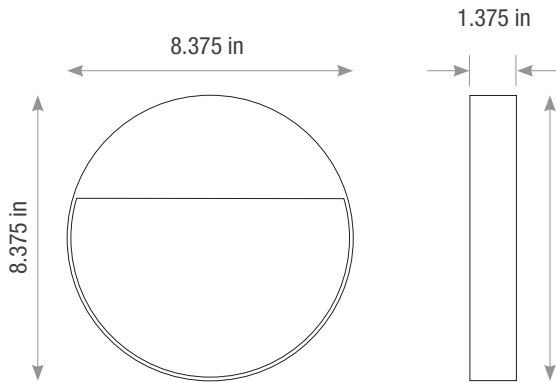
Due to continuous development and improvements, specifications are subject to change without notice. FC Lighting reserves the right to change lab test details or specifications without notice. Product use certifies agreement to FC Lighting terms and conditions. FCC Series Cylinder Lights are engineered and produced in our Illinois manufacturing facility.



Dimensions

PRODUCT DIMENSIONS - STANDARD PRODUCT

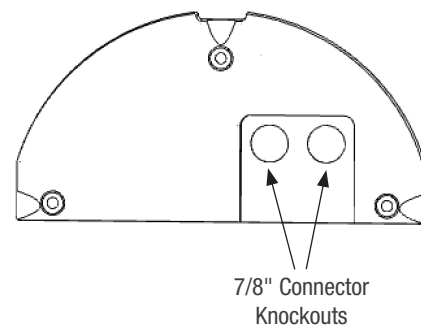
diameter	Ø 8.375"
depth	1.375" D



MOUNTING - *j-box sold by others*

mounting plate width	8.375" W
mounting bracket width	8" W
mounting bracket height	6" H

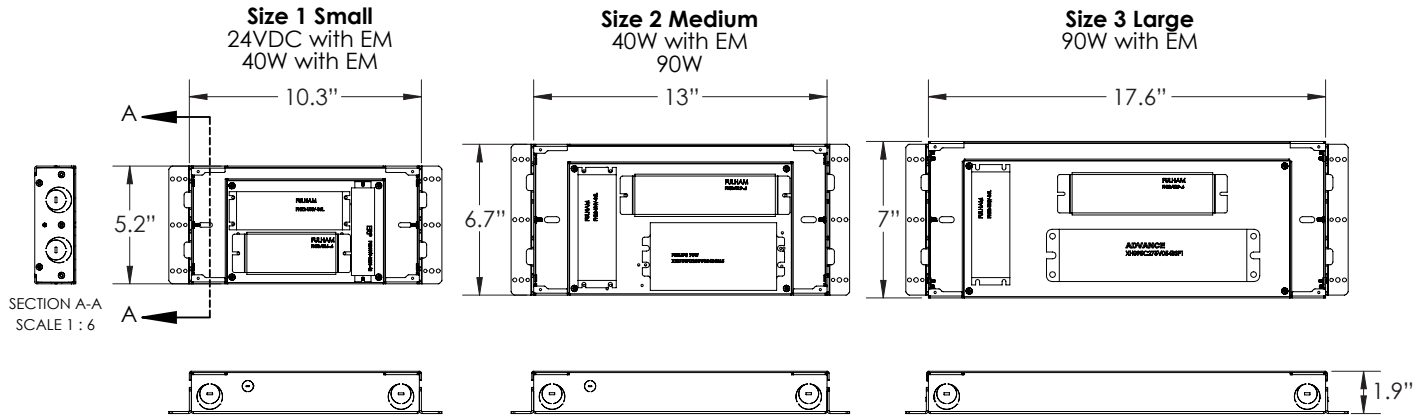
Mounts directly to surface over octagonal or single gang j-box (by others).



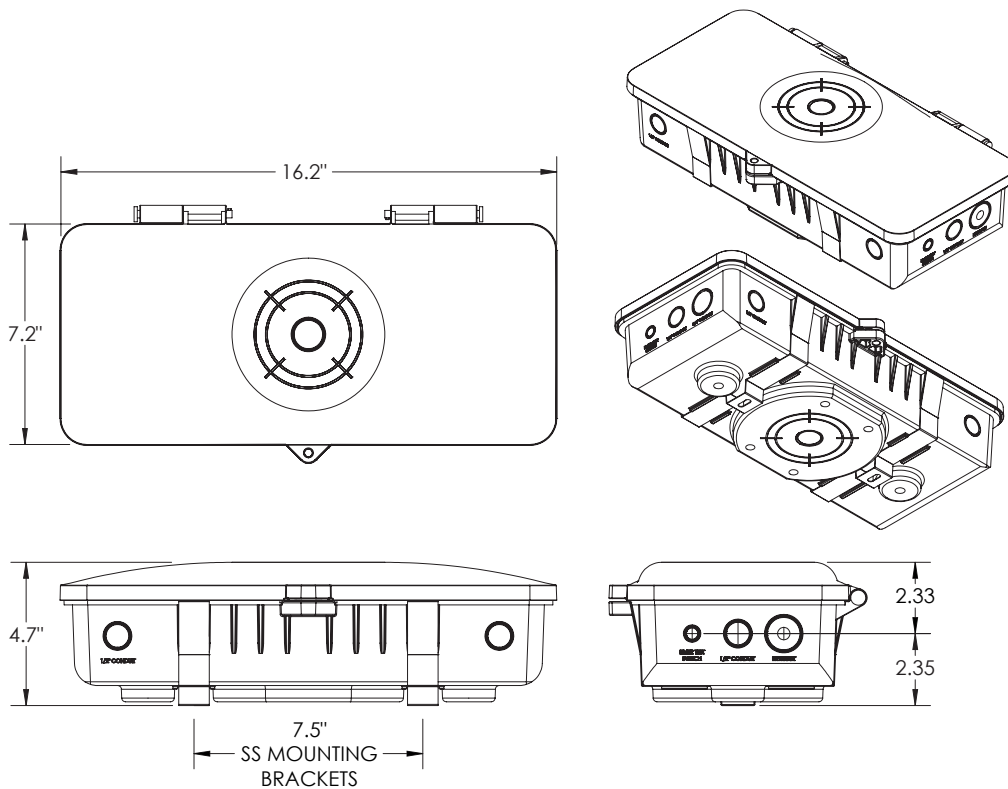
Due to continuous development and improvements, specifications are subject to change without notice. FC Lighting reserves the right to change lab test details or specifications without notice. Product use certifies agreement to FC Lighting terms and conditions. FCC Series Cylinder Lights are engineered and produced in our Illinois manufacturing facility.

BATTERY BACK-UPS

BBUR - BATTERY BACK-UP & LED DRIVER REMOTE (INDOOR), IP20, IK08, NEMA 1, 0°C to +48°C, 30' MAX Distance with 12AWG (w/UNV Option Only)



BBUX - BATTERY BACK-UP & LED DRIVER REMOTE (OUTDOOR), IP67, IK10, NEMA 4X, -20°C to +55°C, 30' MAX Distance with 12AWG (w/UNV Option Only)



Due to continuous development and improvements, specifications are subject to change without notice. FC Lighting reserves the right to change lab test details or specifications without notice. Product use certifies agreement to FC Lighting terms and conditions. FCC Series Cylinder Lights are engineered and produced in our Illinois manufacturing facility.