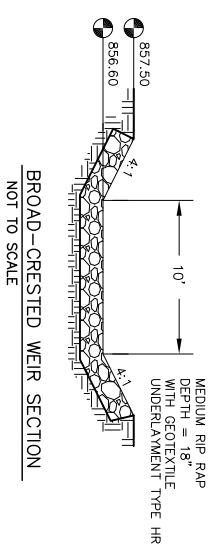
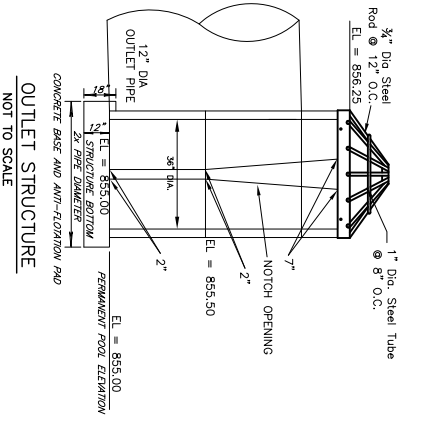
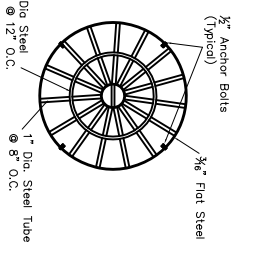

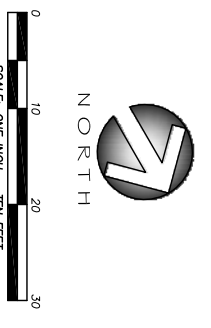


- NOTES:**
1. EACH GRATE IS WIRE BRUSHED AND CLEANED THOROUGHLY PRIOR TO PAINTING
 2. EACH COAT IS AN OVERALL COAT EACH COAT IS ALLOWED TO DRY FOR 24 HOURS MIN.
 3. FIRST COAT: RUST-OLEUM X-60 RED BARE METAL PRIMER OR EQUAL
 4. SECOND COAT: RUST-OLEUM 960 ZINC CHROMATE PRIMER OR EQUAL
 5. THIRD COAT: RUST-OLEUM 1282 HIGH GLOSS AND METALLIC FINISH OR EQUAL
 6. GALVANIZED AND EPOXY COATED GRATES ALSO AVAILABLE AS SPECIFIED

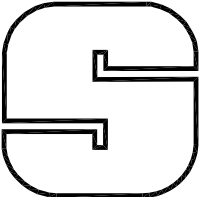


- NOTES:**
1. MAPPED WETLANDS WILL BE STAKED PRIOR TO THE START OF CONSTRUCTION.
 2. ALL EROSION CONTROL MEASURES SHALL BE INSTALLED PRIOR TO LAND DISTURBING ACTIVITIES.
 3. AREAS WITH SLOPES 4:1 OR GREATER AND ALL INTERIOR POND SLOPES SHALL BE STABILIZED WITH CLASS I TYPE B EROSION CONTROL MATTING.


CALL DIGGERS HOTLINE
 1-800-242-8511
TOLL FREE
 TO GET THE LOCATION OF PATENTED UTILITY AND FACILITIES BEFORE YOU DIG IN WISCONSIN
 WIS. STATUTE 182.0175 (1974) REQUIRES MIN. OF 3 WORK DAYS NOTICE BEFORE YOU EXCAVATE



1	ADDED 30' & 75' SETBACK LINES	4/5/16
MARK	REVISION	DATE BY
Engineer: SJA	Checked By: LO	Scale: NOTED
Technician: MW	Date: 3-25-16	Field Bk: Pg:


C.2.2A

THE TURN
 POND GRADING PLAN
 MADISON, WISCONSIN
SNYDER & ASSOCIATES, INC.
 5010 VOGES ROAD
 MADISON, WISCONSIN 53718
 608-838-0444 | www.snyder-associates.com

P:\PROJECTS\2013\113.0244.30\CAD-Design\CPI01 Base 3-3-2016.dwg